



BLASTMASTER® MAXUM I ABRASIVE METERING VALVE



BUILT MARCO TOUGH
MARCO MANUFACTURED

PART NUMBERS AND SCHEMATICS GUIDE

Company Profile

Since 1944, Marco has developed a strong tradition of providing innovative and reliable products and services to the surface preparation and protective coatings industries. We are the world's premier provider of Abrasives, Blasting Equipment, Coating Equipment, Engineered Systems, Rental Equipment, Safety Equipment, Service, and Repair.

Through innovative designs and a total commitment to quality, Marco manufactures products that increase production rates, create a safer workplace, and reduce maintenance costs. Marco's industry experience, manufacturing capabilities, legendary customer service, product availability, logistics services, and technology leadership is your assurance that we deliver high quality products and services, providing the best value to you, our customer.

The Marco Difference

- **Industry Experience** – With Marco on your team, you have access to expertise which can only come from decades of industry leadership. We have organized our engineering department, production specialists, customer operations, and safety support into a "Center of Competence." As a Marco customer, you have access to hundreds of years of cumulative experience related to your operations.
- **Manufacturing Excellence** – Marco is a U.S. based, ISO 9001:2008 certified manufacturer of equipment for the Surface Preparation and Protective Coatings industries. Marco's engineers benchmark the industry to ensure that we design and manufacture superior products that set the "Gold Standard" for performance, safety, and quality.
- **Legendary Customer Service** – Marco's legendary customer service team is staffed by friendly, highly-trained individuals who are focused on providing the highest level of product support, order accuracy, and customer satisfaction.
- **Product Availability** – We stock over 10,000 SKU's and have over 45 shipping locations to serve North American and International markets for all major brands of blasting and painting equipment. As the largest provider of surface preparation and protective coatings equipment in the world, our inventory levels and product availability are unmatched.
- **Logistics Services** – Marco's in-house logistics team is dedicated to moving your shipment anywhere in the world. We move over 14,000 truckloads every year, allowing you to save on freight costs by leveraging our buying power. Lower your process costs with a single invoice, which includes product and freight.
- **Technology Leadership** – Our website provides: Operator's Manuals, Part Numbers and Schematics Guides, MSDS information, and Features and Specifications Guides, providing access to information 24/7. Our Extranet application allows you to receive quotes and place orders online. Our Intranet maintains a complete record of your purchase history to assist with ongoing support of your existing equipment and future purchasing decisions.

Vision Statement

Marco is the world's premier provider of Abrasives, Blasting Equipment, Coating Equipment, Engineered Systems, Rental Equipment, Safety Equipment, Service, and Repair.

Mission Statement

Marco provides strong leadership and innovation to the surface preparation and protective coatings industries. We dedicate our efforts to the continuous improvement of our products, services, processes, people, and most importantly, the quality of our customer's experience.

Quality Policy

Marco is committed to providing superior quality in the design, manufacturing, distribution, rental, service, and repair of our products. Our ISO 9001:2008 certification extends throughout all operations in all locations. Continuous improvement of our processes and supply chain Integration comprise the core of our business strategy for delivering exceptional quality and value in all Marco products and services.

Management Philosophy

We are a company dedicated to the success of every customer and associate. We discuss, debate, challenge, measure, and test our ideas. We will be boundless and limitless in our passion to improve. Through sound leadership and dedicated associates, we will ensure a long term, profitable future for Marco, our associates, customers, and suppliers.

TABLE OF CONTENTS

Company Profile	1
Table of Contents	2
Blastmaster® Maxum I Abrasive Metering Valve	3-8
Part Numbers	3-4
Part Numbers & Schematics	5-8
Blastmaster® Maxum I Abrasive Metering Valve with Tungsten Carbide Sleeve	5-6
Blastmaster® Maxum I Abrasive Metering Valve with Urethane Sleeve	7-8
Maintenance Notes	10-11

PART NUMBERS & SCHEMATICS GUIDE

BLASTMASTER® MAXUM I ABRASIVE METERING VALVES			
Part Numbers	Pipe Nipple Type	Tungsten Carbide Sleeve	Urethane Sleeve
1014200	1" (F) x 1-1/2" (M)	X	
1014201	1" (F) x 1-1/2" (M)		X
1014202	1-1/4" (M) x 1-1/4" (M)	X	
1014203	1-1/4" (M) x 1-1/4" (M)		X
1014204	1-1/2" (M) x 1-1/2" (M)	X	
1014205	1-1/2" (M) x 1-1/2" (M)		X

PART NUMBERS & SCHEMATICS GUIDE



1014200



1014201



1014202



1014203



1014204



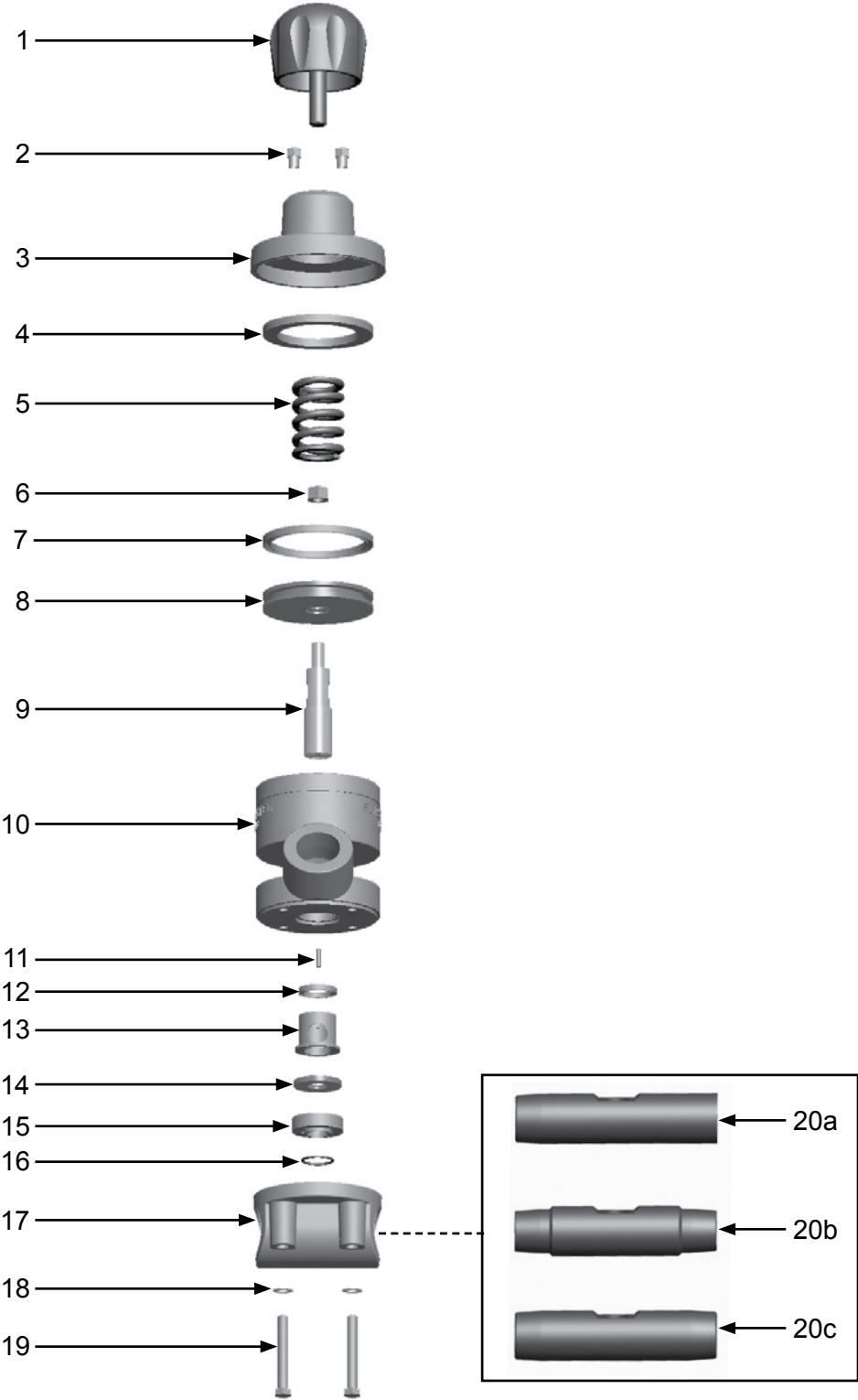
1014205

PART NUMBERS & SCHEMATICS GUIDE

Item #	Part #	
Fig. 1		
—	1014200	1" Blastmaster® Maxum I Abrasive Metering Valve—Tungsten Carbide Sleeve – Complete
—	1014202	1-1/4" Blastmaster® Maxum I Abrasive Metering Valve—Tungsten Carbide Sleeve– Complete
—	1014204	1-1/2" Blastmaster® Maxum I Abrasive Metering Valve—Tungsten Carbide Sleeve– Complete
1	1014210	Knob
2	1012905	1/8" Breather Muffler (<i>Two Required</i>)
3	1014211	Cap
4	1014212	Bump Ring
5	1014213	Spring
6	1014022	1/2–13 UNC 2B Nut
7	1014215	Piston Seal
8	1014216	Piston
9	1014217	Tungsten Carbide Plunger
10	1014218	Body
11	1014240	3/32" x 3/8" Groove Pin
12	1014219	Standard-Duty Plunger Seal
—	10103977	Heavy-Duty Plunger Seal
13	1014238	Tungsten Carbide Sleeve
—	10102123	Stainless Steel Sleeve- Multi-Port (<i>Metering orifice sizes: 0.178", 0.218", 0.278" and 0.343"</i>)
14	1014237	Seat for Tungsten Carbide Sleeve
15	1014236	Insert for Tungsten Carbide Sleeve
16	1014235	O-ring for Tungsten Carbide Sleeve
17	1014230	Base
18	1014241	3/8" Washer (<i>Four Required</i>)
19	1014231	3/8–16 UNC 2B x 2-3/4" Bolt (<i>Four Required</i>)
20a	1014232	1" Female NPT x 8" Nipple (<i>For use with 1014200</i>)
20b	1014233	1-1/4" Male NPT x 8" Nipple (<i>For use with 1014202</i>)
20c	1014234	1-1/2" Male NPT x 8" Nipple (<i>For use with 1014204</i>)
—	1014245	1-1/2" Male NPT x 36" Nipple (<i>Optional</i>) (<i>Not Shown</i>)
—	1014243	Repair Kit with Tungsten Carbide Sleeve (<i>Includes Item #'s: 7, 9, 12 (standard-duty), 13, 14, 15, and 16</i>)
—	1014221	Soft Seal Kit (<i>Includes Item #'s: 7, 12 (standard-duty), 14, and 16</i>)
—	105M011	Features and Specifications Guide – Blastmaster® Maxum I Abrasive Metering Valve
—	106M011	Part Numbers and Schematics Guide – Blastmaster® Maxum I Abrasive Metering Valve
—	1090011	Operator's Manual – Blastmaster® Maxum I Abrasive Metering Valve
—	1091045	Hazard Identification Tag

PART NUMBERS & SCHEMATICS GUIDE

Figure 1: Blastmaster® Maxum I Abrasive Metering Valve – Tungsten Carbide Sleeve



PART NUMBERS & SCHEMATICS GUIDE

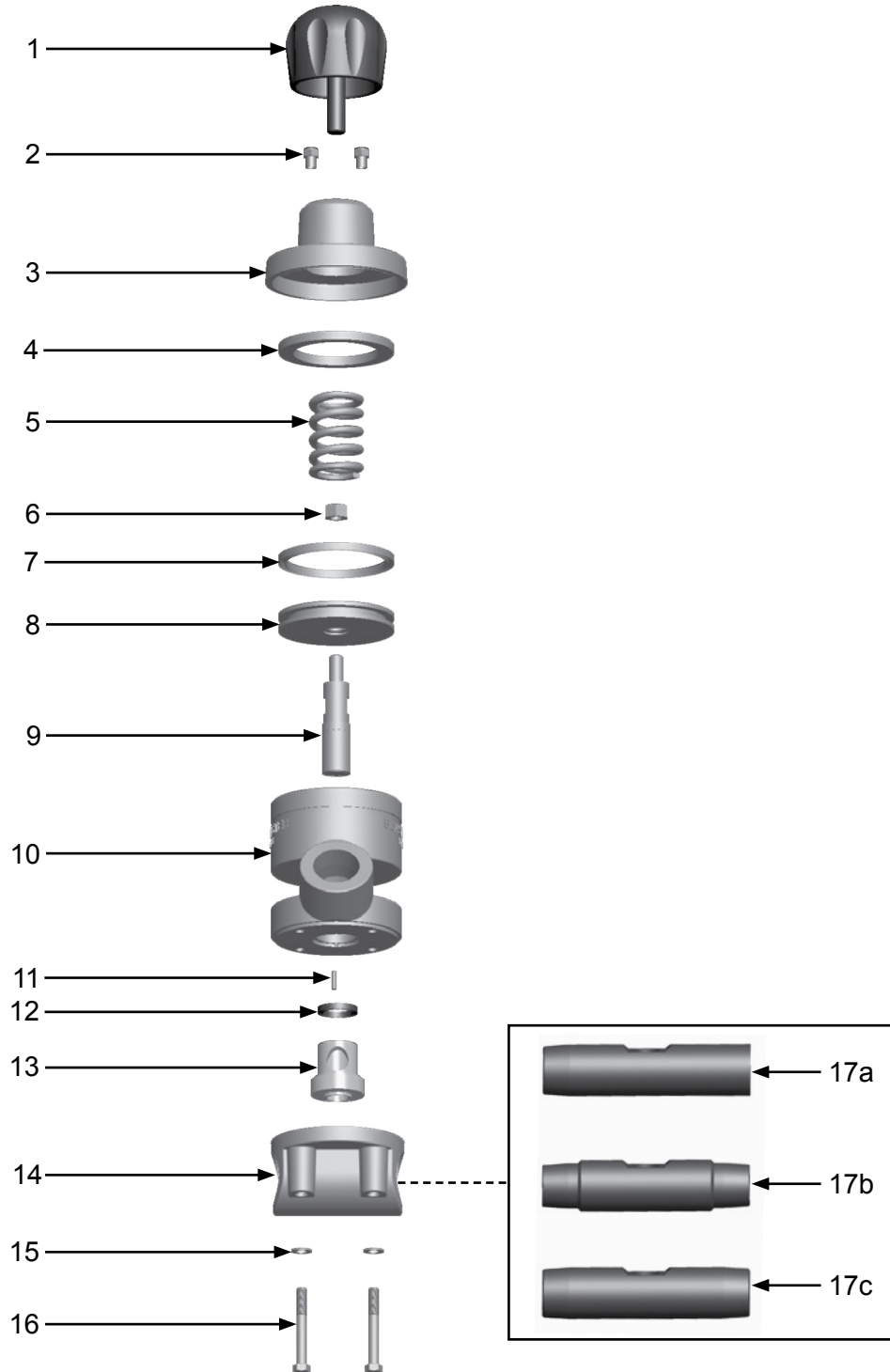
Item # Part #

Fig. 2

—	1014201	1" Blastmaster® Maxum I Abrasive Metering Valve—Urethane Sleeve – Complete
—	1014203	1-1/4" Blastmaster® Maxum I Abrasive Metering Valve—Urethane Sleeve – Complete
—	1014205	1-1/2" Blastmaster® Maxum I Abrasive Metering Valve—Urethane Sleeve – Complete
1	1014210	Knob
2	1012905	1/8" Breather Muffler <i>(Two Required)</i>
3	1014211	Cap
4	1014212	Bump Ring
5	1014213	Spring
6	1014022	1/2–13 UNC 2B Nut
7	1014215	Piston Seal
8	1014216	Piston
9	1014217	Tungsten Carbide Plunger
10	1014218	Body
11	1014240	3/32" x 3/8" Groove Pin
12	1014219	Standard-Duty Plunger Seal
—	10103977	Heavy-Duty Plunger Seal
13	1014229	Urethane Sleeve
14	1014230	Base
15	1014241	3/8" Washer <i>(Four Required)</i>
16	1014231	3/8–16 UNC 2B x 2-3/4" Bolt <i>(Four Required)</i>
17a	1014232	1" Female NPT x 8" Nipple <i>(For use with 1014201)</i>
17b	1014233	1-1/4" Male NPT x 8" Nipple <i>(For use with 1014203)</i>
17c	1014234	1-1/2" Male NPT x 8" Nipple <i>(For use with 1014205)</i>
—	1014245	1-1/2" Male NPT x 36" Nipple <i>(Optional) (Not Shown)</i>
—	1014244	Repair Kit with Urethane Sleeve <i>(Includes Item #'s: 7, 9, 12 (standard-duty), and 13)</i>
—	1014222	Soft Seal Kit <i>(Includes Item #'s: 7, 12 (standard-duty), and 13)</i>
—	105M011	Features and Specifications Guide – Blastmaster® Maxum I Abrasive Metering Valve
—	106M011	Part Numbers and Schematics Guide – Blastmaster® Maxum I Abrasive Metering Valve
—	1090011	Operator's Manual – Blastmaster® Maxum I Abrasive Metering Valve
—	1091045	Hazard Identification Tag

PART NUMBERS & SCHEMATICS GUIDE

Figure 2: Blastmaster® Maxum I Abrasive Metering Valve – Urethane Sleeve



MAINTENANCE NOTES

DATE	TYPE OF SERVICE	PART NUMBER

GLOBAL HEADQUARTERS

- 3425 East Locust Street
Davenport, IA 52803

ph: 800.BLAST.IT (800.252.7848)

ph: 563.324.2519

fax: 563.324.6258

GULF STATES HEADQUARTERS

- 701 East Boulevard
Deer Park, TX 77536

ph: 800.BLAST.IT (800.252.7848)

ph: 281.930.0905

fax: 281.542.0736

REGIONAL BRANCH OFFICES

- **Iowa**
Davenport
- **Louisiana**
Gonzales
Lafayette
- **Ohio**
Youngstown
- **Texas**
Beaumont
Corpus Christi
Deer Park



ABRASIVES

BLASTING

COATING

DUST COLLECTORS

ENGINEERED SYSTEMS

RENTAL

SAFETY

SERVICE & REPAIR

VACUUMS

40+ NATIONWIDE SHIPPING LOCATIONS



★ Marco Regional Branch Offices
and Shipping Locations

● Direct Shipping Locations

CONTACT MARCO

800.BLAST.IT
(800.252.7848)

563.324.2519

FAX: 563.324.6258

WWW.MARCO.US
SALES@MARCO.US