



BLASTMASTER[®] EXTRACTOR MOISTURE SEPARATORS



BUILT MARCO
TOUGH
MARCO MANUFACTURED

PART NUMBERS AND SCHEMATICS GUIDE

Company Profile

Since 1944, Marco has developed a strong tradition of providing innovative and reliable products and services to the surface preparation and protective coatings industries. We are the world's premier provider of Abrasives, Blasting Equipment, Coating Equipment, Engineered Systems, Rental Equipment, Safety Equipment, Service, and Repair.

Through innovative designs and a total commitment to quality, Marco manufactures products that increase production rates, create a safer workplace, and reduce maintenance costs. Marco's industry experience, manufacturing capabilities, legendary customer service, product availability, logistics services, and technology leadership is your assurance that we deliver high quality products and services, providing the best value to you, our customer.

The Marco Difference

- **Industry Experience** – With Marco on your team, you have access to expertise which can only come from over 65 years of industry leadership. We have organized our engineering department, production specialists, customer operations, and safety support into a “Center of Competence.” As a Marco customer, you have access to hundreds of years of cumulative experience related to your operations.
- **Manufacturing Excellence** – Marco is a U.S. based, ISO 9001:2008 certified manufacturer of equipment for the Surface Preparation and Protective Coatings industries. Marco's engineers benchmark the industry to ensure that we design and manufacture superior products that set the “Gold Standard” for performance, safety, and quality.
- **Legendary Customer Service** – Marco's legendary customer service team is staffed by friendly, highly-trained individuals who are focused on providing the highest level of product support, order accuracy, and customer satisfaction.
- **Product Availability** – We stock over 10,000 SKU's and have over 45 shipping locations to serve North American and International markets for all major brands of blasting and painting equipment. As the largest provider of surface preparation and protective coatings equipment in the world, our inventory levels and product availability are unmatched.
- **Logistics Services** – Marco's in-house logistics team is dedicated to moving your shipment anywhere in the world. We move over 14,000 truckloads every year, allowing you to save on freight costs by leveraging our buying power. Lower your process costs with a single invoice, which includes product and freight.
- **Technology Leadership** – Our website provides: Operator's Manuals, Part Numbers and Schematics Guides, MSDS information, and Features and Specifications Guides, providing access to information 24/7. Our Extranet application allows you to receive quotes and place orders online. Our Intranet maintains a complete record of your purchase history to assist with ongoing support of your existing equipment and future purchasing decisions.

Vision Statement

Marco is the world's premier provider of Abrasives, Blasting Equipment, Coating Equipment, Engineered Systems, Rental Equipment, Safety Equipment, Service, and Repair.

Mission Statement

Marco provides strong leadership and innovation to the surface preparation and protective coatings industries. We dedicate our efforts to the continuous improvement of our products, services, processes, people, and most importantly, the quality of our customer's experience.

Quality Statement

Marco is committed to providing superior quality in the design, manufacturing, distribution, rental, service, and repair of our products. Our ISO 9001:2008 certification extends throughout all operations in all locations. Continuous improvement of our processes and supply chain Integration comprise the core of our business strategy for delivering exceptional quality and value in all Marco products and services.

Management Philosophy

We are a company dedicated to the success of every customer and associate. We discuss, debate, challenge, measure, and test our ideas. We will be boundless and limitless in our passion to improve. Through sound leadership and dedicated associates, we will ensure a long term, profitable future for Marco, our associates, customers, and suppliers.

TABLE OF CONTENTS

Table of Contents	3
Blastmaster® Extractor Moisture Moisture Separators	4-9
Part Numbers	4-5
Part Numbers & Schematics	6-9
1-1/4" Junior Extractor with 1" 2-Lug Air Hose Fltting.....	5
1-1/4" Junior Extractor with 1-1/4" 4-Lug Air Hose Fltting.....	5
1-1/4" Extractor	6-7
1-1/2" Extractor	8-9
Maintenance Notes	10-11

PART NUMBERS

BLASTMASTER® EXTRACTOR MOISTURE SEPARATORS				
Part Numbers	Air Hose Fitting Inlet	Extractor Inlet	Extractor Outlet	Extractor Body Length
1011750	1"	1-1/4"	1-1/4"	15-3/4"
10101314	1-1/4"	1-1/4"	1-1/4"	15-3/4"
1011740	1-1/4"	1-1/4"	1-1/4"	20"
10101313	1-1/2"	1-1/2"	1-1/2"	20"

BLASTMASTER® EXTRACTOR MOISTURE SEPARATORS



1011750



10101314



1011740

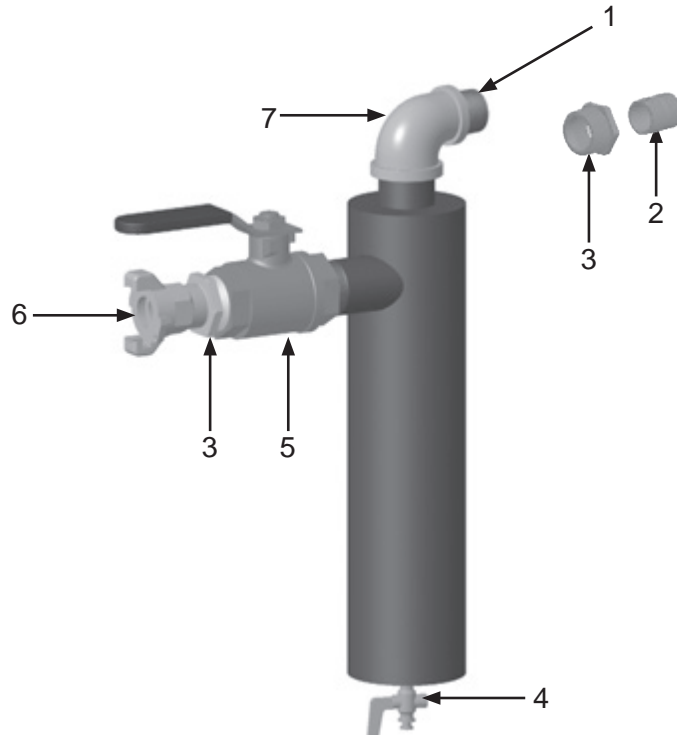


10101313

PART NUMBERS & SCHEMATICS

Figure 1:

Blastmaster® 1-1/4" Junior Extractor Moisture Separator with 1" 2-Lug Air Hose Fitting

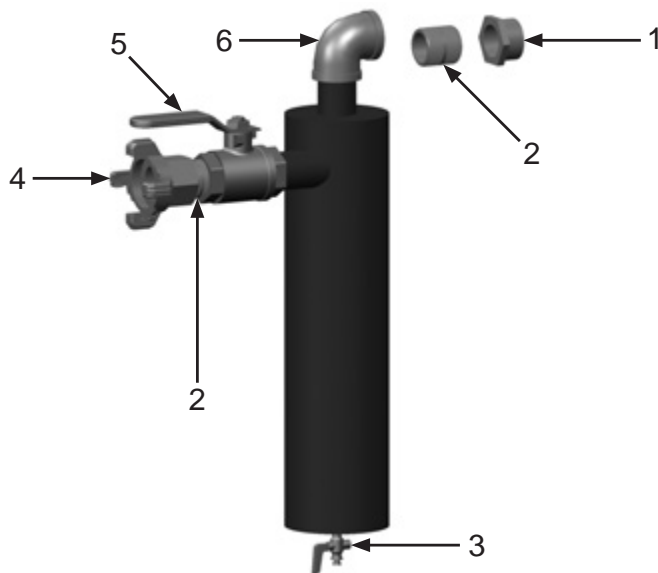


Item #	Part #	Description
Fig. 1		
—	1011750	Blastmaster® 1-1/4" Junior Extractor Moisture Separator with 1" 2-Lug Air Hose Fltting
1	1011201	1-1/4" NPT Close Nipple
2	1012151	1" NPT Close Nipple
3	1012157	1-1/4" x 1" Bushing (<i>only 1 required for units built before 2021</i>)
4	1012101	1/4" NPT Brass Petcock
5	1011601	1" NPT Full Port Ball Valve (<i>for units built before 2021</i>)
	1011602	1-1/4" NPT Full Port Ball Valve
6	10ME2	2-lug Air Hose Fitting – 1" NPT (M)
7	1006204	1-1/4" NPT 90° Elbow
—	106M349	Part Numbers and Schematics Guide – Blastmaster® Extractor Moisture Separators

PART NUMBERS & SCHEMATICS

Figure 2:

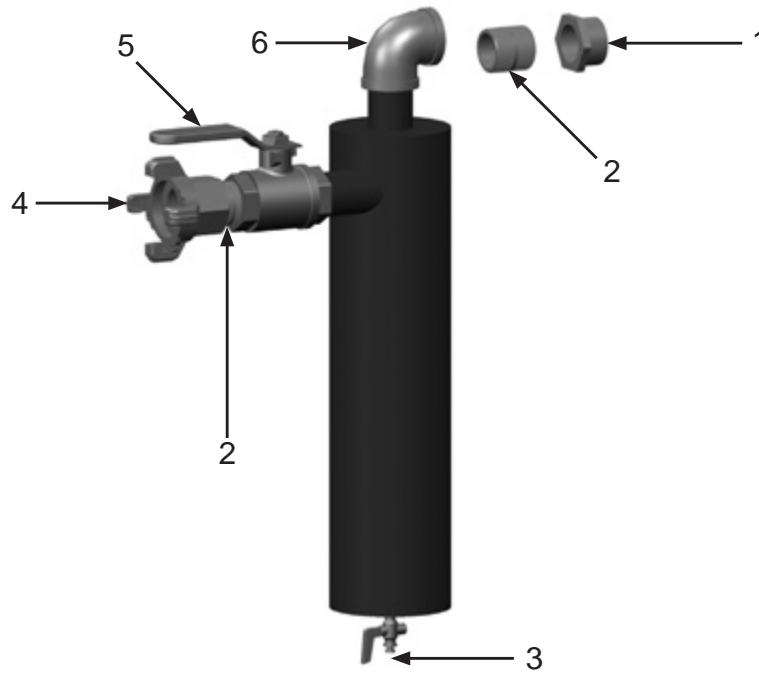
Blastmaster® 1-1/4" Junior Extractor Moisture Separator with 1-1/4" 4-Lug Air Hose Fitting



Item #	Part #	Description
Fig. 2		
—	10101314	Blastmaster® 1-1/4" Junior Extractor Moisture Separator with 1-1/4" 4-Lug Air Hose Fitting
1	1011501	1-1/2" x 1-1/4" Bushing
2	1011201	1-1/4" NPT Close Nipple (<i>Two Required</i>)
3	1012101	1/4" NPT Brass Petcock
4	10ME3	4-lug Air Hose Fitting - 1-1/4" NPT (F)
5	1011602	1-1/4" NPT Full Port Ball Valve
6	1006204	1-1/4" NPT 90° Elbow
—	106M349	Part Numbers and Schematics Guide – Blastmaster® Extractor Moisture Separators

PART NUMBERS & SCHEMATICS

Figure 3: Blastmaster® 1-1/4" Extractor Moisture Separator



Item #	Part #	Description
--------	--------	-------------

Fig. 3

—	1011740	Blastmaster® 1-1/4" Extractor Moisture Separator
---	----------------	---

1	1011501	1-1/2" x 1-1/4" Bushing
---	---------	-------------------------

2	1011201	1-1/4" NPT Close Nipple (<i>Two Required</i>)
---	---------	---

3	1012101	1/4" NPT Brass Petcock
---	---------	------------------------

4	10ME3	4-Lug Air Hose Fitting – 1-1/4" NPT (F)
---	-------	---

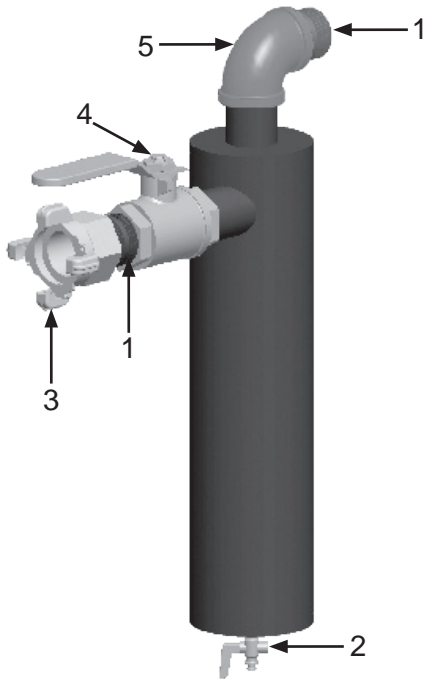
5	1011602	1-1/4" NPT Full Port Brass Ball Valve
---	---------	---------------------------------------

6	1006204	1-1/4" NPT 90° Elbow
---	---------	----------------------

—	106M349	Part Numbers and Schematics Guide – Blastmaster® Extractor Moisture Separators
---	---------	--

PART NUMBERS & SCHEMATICS

Figure 4: Blastmaster® 1-1/2" Extractor Moisture Separator



Item #	Part #	Description
--------	--------	-------------

Fig. 4

–	10101313	Blastmaster® 1-1/2" Extractor Moisture Separator
1	1014015	1-1/2" NPT Close Nipple (<i>Two Required</i>)
2	1012101	1/4" NPT Brass Petcock
3	10ME4	4-Lug Air Hose Fitting – 1-1/2" NPT (F)
4	1011603	1-1/2" NPT Full Port Brass Ball Valve
5	1011842	1-1/2" NPT 90° Elbow
—	106M349	Part Numbers and Schematics Guide – Blastmaster® Extractor Moisture Separators

GLOBAL HEADQUARTERS

- 3425 East Locust Street
Davenport, IA 52803

ph: 800.BLAST.IT (800.252.7848)

ph: 563.324.2519

fax: 563.324.6258

GULF STATES HEADQUARTERS

- 701 East Boulevard
Deer Park, TX 77536

ph: 800.BLAST.IT (800.252.7848)

ph: 281.930.0905

fax: 281.542.0736

REGIONAL BRANCH OFFICES

- **Iowa**
Davenport
- **Louisiana**
Gonzales
Lafayette
- **Ohio**
Youngstown
- **Texas**
Beaumont
Corpus Christi
Deer Park



ABRASIVES

BLASTING

COATING

DUST COLLECTORS

ENGINEERED SYSTEMS

RENTAL

SAFETY

SERVICE & REPAIR

VACUUMS

40+ NATIONWIDE SHIPPING LOCATIONS



★ Marco Regional Branch Offices
and Shipping Locations

● Direct Shipping Locations

CONTACT MARCO

800.BLAST.IT

(800.252.7848)

563.324.2519

FAX: 563.324.6258

WWW.MARCO.US

SALES@MARCO.US