



BLASTMASTER® CONEBLAST INTERNAL PIPE BLASTING TOOL



PART NUMBERS AND SCHEMATICS GUIDE

Company Profile

Since 1944, Marco has developed a strong tradition of providing innovative and reliable products and services to the surface preparation and protective coatings industries. We are the world's premier provider of Abrasives, Blasting Equipment, Coating Equipment, Engineered Systems, Rental Equipment, Safety Equipment, Service, and Repair.

Through innovative designs and a total commitment to quality, Marco manufactures products that increase production rates, create a safer workplace, and reduce maintenance costs. Marco's industry experience, manufacturing capabilities, legendary customer service, product availability, logistics services, and technology leadership is your assurance that we deliver high quality products and services, providing the best value to you, our customer.

The Marco Difference

- **Industry Experience** – With Marco on your team, you have access to expertise which can only come from decades of industry leadership. We have organized our engineering department, production specialists, customer operations, and safety support into a “Center of Competence.” As a Marco customer, you have access to hundreds of years of cumulative experience related to your operations.
- **Manufacturing Excellence** – Marco is a U.S. based, ISO 9001:2008 certified manufacturer of equipment for the Surface Preparation and Protective Coatings industries. Marco's engineers benchmark the industry to ensure that we design and manufacture superior products that set the “Gold Standard” for performance, safety, and quality.
- **Legendary Customer Service** – Marco's legendary customer service team is staffed by friendly, highly-trained individuals who are focused on providing the highest level of product support, order accuracy, and customer satisfaction.
- **Product Availability** – We stock over 10,000 SKU's and have over 45 shipping locations to serve North American and International markets for all major brands of blasting and painting equipment. As the largest provider of surface preparation and protective coatings equipment in the world, our inventory levels and product availability are unmatched.
- **Logistics Services** – Marco's in-house logistics team is dedicated to moving your shipment anywhere in the world. We move over 14,000 truckloads every year, allowing you to save on freight costs by leveraging our buying power. Lower your process costs with a single invoice, which includes product and freight.
- **Technology Leadership** – Our website provides: Operator's Manuals, Part Numbers and Schematics Guides, MSDS information, and Features and Specifications Guides, providing access to information 24/7. Our Extranet application allows you to receive quotes and place orders online. Our Intranet maintains a complete record of your purchase history to assist with ongoing support of your existing equipment and future purchasing decisions.

Vision Statement

Marco is the world's premier provider of Abrasives, Blasting Equipment, Coating Equipment, Engineered Systems, Rental Equipment, Safety Equipment, Service, and Repair.

Mission Statement

Marco provides strong leadership and innovation to the surface preparation and protective coatings industries. We dedicate our efforts to the continuous improvement of our products, services, processes, people, and most importantly, the quality of our customer's experience.

Quality Statement

Marco is committed to providing superior quality in the design, manufacturing, distribution, rental, service, and repair of our products. Our ISO 9001:2008 certification extends throughout all operations in all locations. Continuous improvement of our processes and supply chain Integration comprise the core of our business strategy for delivering exceptional quality and value in all Marco products and services.

Management Philosophy



We are a company dedicated to the success of every customer and associate. We discuss, debate, challenge, measure, and test our ideas. We will be boundless and limitless in our passion to improve. Through sound leadership and dedicated associates, we will ensure a long term, profitable future for Marco, our associates, customers, and suppliers.

TABLE OF CONTENTS

Company Profile	2
Table of Contents	3
Blastmaster® Coneblast Internal Pipe Blasting Tool	4-8
Part Numbers	4
Blastmaster® Coneblast Internal Pipe Blasting Tool	5
Blastmaster® Coneblast Internal Pipe Blasting Tool Adjustable Scissor Carriage	6-7
Blastmaster® Coneblast Internal Pipe Blasting Collar and Button Carriage System	8
Maintenance Notes	9-11

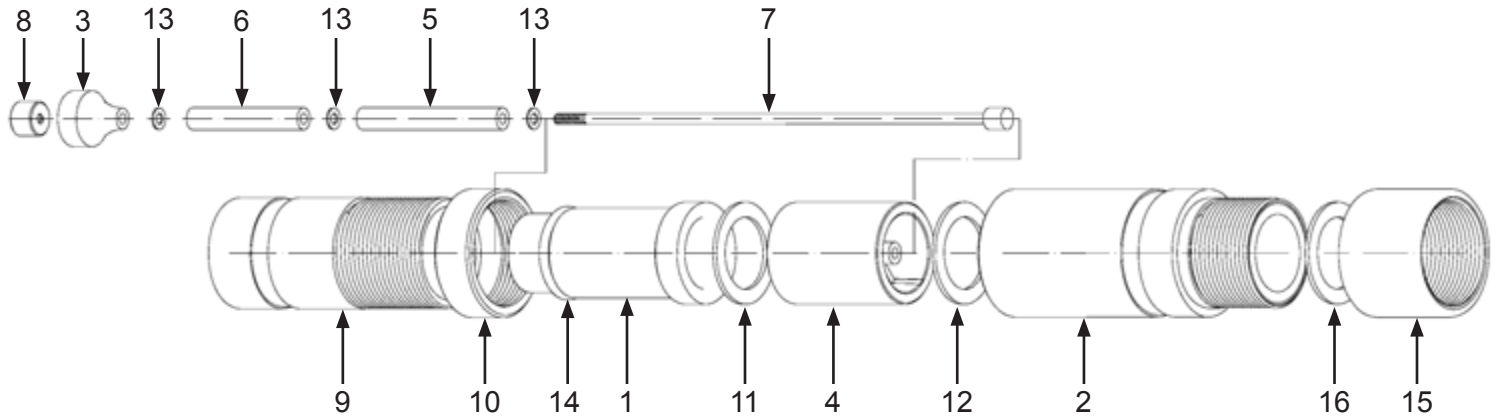
PART NUMBERS AND SCHEMATICS GUIDE

Full assembly no longer available.

2" – 12" PIPE BLASTING TOOL CENTERING CARRIAGES			
	Part Numbers	<i>For use in Pipe I.D.</i>	Style
	10C01124	3" – 5"	Collars and Buttons
	10C01131	5" – 12"	Adjustable

PART NUMBERS AND SCHEMATICS GUIDE

Figure 1: Blastmaster® Coneblast Internal Pipe Blasting Tool



Item #	Part #	Description
Fig. 1		
1	10C01406	#8 Nozzle – 1/2" Orifice
2	1084032	Tool Holder
3	1084021	Tungsten Carbide Deflection Tip
—	1084034	Boron Carbide Deflection Tip (For 40 Grit and Finer Abrasive)
4	1084023	Stem Support Assembly (Includes Item #8)
5	1084025	Throat Sleeve
6	1084024	Stem Extension Sleeve
7	1084026	Throat Rod and Tip
8	1084022	Specialty Tip Holding Nut
9	1084033	Tip Protection Sleeve
10	1084035	Knurled Lock Nut
11	1084028	Front Stem Support Gasket, Wide
12	1084029	Rear Stem Support Gasket, Narrow
13	1084027	Brass Washer (Three Required)
14	1084030	1-1/8" Nominal I.D. O-Ring
15	1084037	Rear Coupling
16	10NW	Nozzle Washer (One Included, 10 Per Replacement Package)
—	106M616	Part Numbers and Schematics Guide – Blastmaster® Coneblast Internal Pipe Blasting Tool
—	1090616	Operator's Manual – Blastmaster® Coneblast Internal Pipe Blasting Tool

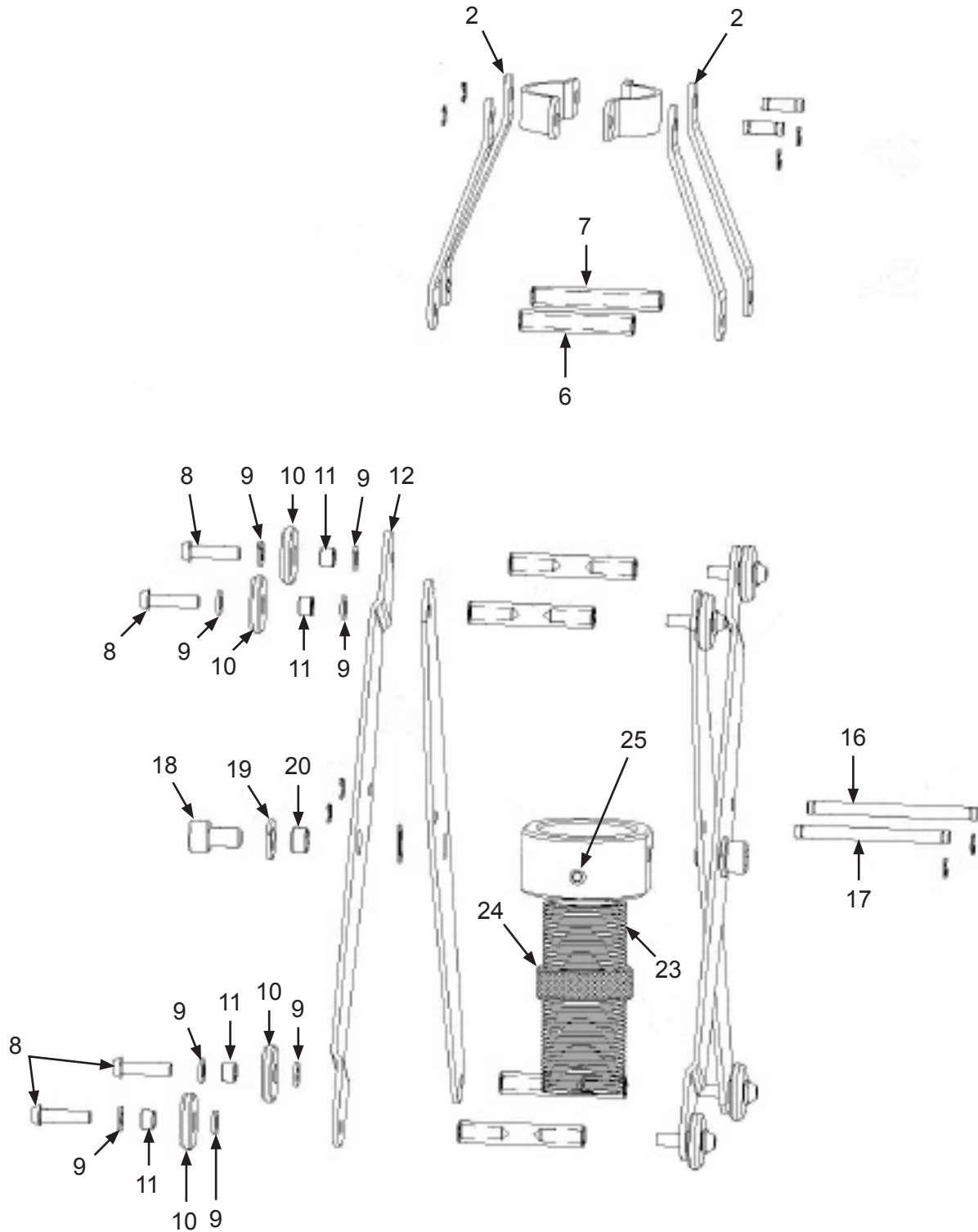
PART NUMBERS AND SCHEMATICS GUIDE

Internal Pipe Blasting Adjustable Scissor Carriage

Item #	Part #	Description
Fig. 2		
—	10C01131	Internal Pipe Blasting Adjustable Scissor Carriage
1		<i>no longer available</i>
2	1084043	Clamp Bracket <i>(Two Required)</i>
3		<i>no longer available</i>
4		<i>no longer available</i>
5		<i>no longer available</i>
6	1084047	Tube – Short
7	1084048	Tube – Long
8	1084049	Screw <i>(Eight Required)</i>
9	1084050	Flat Washer <i>(16 Required)</i>
10	1084051	Roller Wheel <i>(Eight Required)</i>
11	1084052	Wheel Bushing <i>(Eight Required)</i>
12	1084053	Outer Left Bracket
13		<i>no longer available</i>
14		<i>no longer available</i>
15		<i>no longer available</i>
16	1084057	Shaft Rod – Long
17	1084058	Shaft Rod – Short
18	1084059	Screw <i>(Two Required)</i>
19	1084060	Flat Washer <i>(Two Required)</i>
20	1084061	Connecting Tube Bracket <i>(Two Required)</i>
21		<i>no longer available</i>
22		<i>no longer available</i>
23	1084064	Threaded Tip Protection Sleeve
24	1084065	Knurled Lock-Nut
25	1084066	Screw

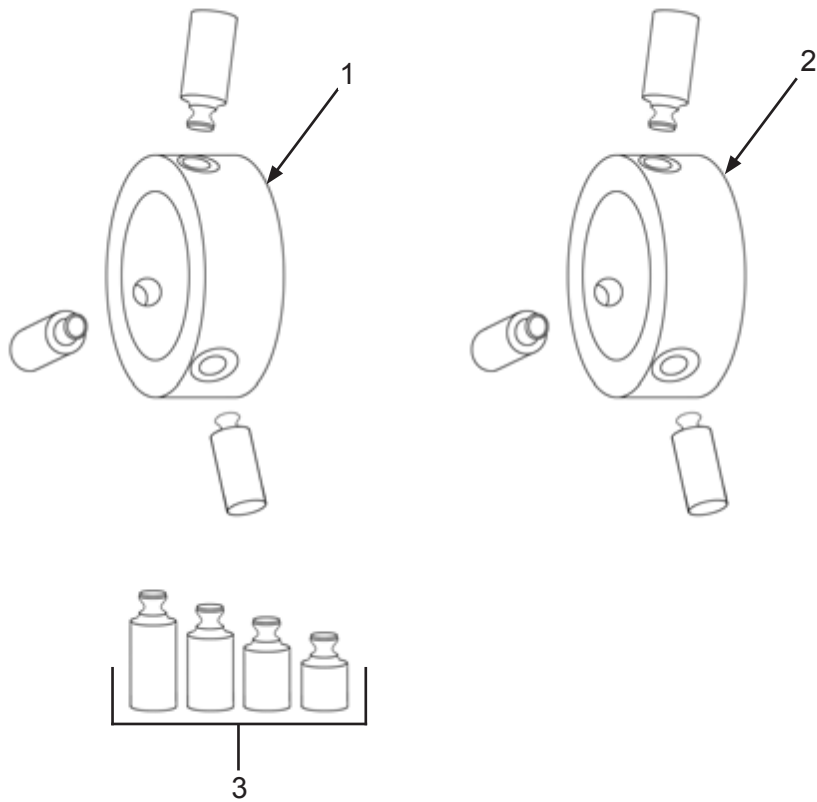
PART NUMBERS AND SCHEMATICS GUIDE

Figure 2: Blastmaster® Coneblast Internal Pipe Blasting Adjustable Scissor Carriage



PART NUMBERS AND SCHEMATICS GUIDE

Figure 3: Internal Pipe Blasting Collar and Button Carriage System



Item #	Part #	Description
Fig. 3		
—	10C1124	Internal Pipe Blasting Collar and Button Carriage System
1	1084039	1-11/16" Nominal I.D. Front Collar
2	1084040	1-7/8" Nominal I.D. Rear Collar
3	1084041	Button Set

CONTACT CENTER

- 3425 East Locust Street
Davenport, IA 52803

ph: 800.BLAST.IT (800.252.7848)
 ph: 563.324.2519
 fax: 563.324.6258

REGIONAL BRANCH OFFICES

- **Iowa**
Davenport
- **Louisiana**
Gonzales
Lafayette
- **Ohio**
Youngstown
- **Texas**
Beaumont
Corpus Christi
Deer Park

40+ NATIONWIDE SHIPPING LOCATIONS



★ Marco Regional Branch Offices
and Shipping Locations

● Direct Shipping Locations



ABRASIVES

BLASTING

COATING

DUST COLLECTORS

ENGINEERED SYSTEMS

RENTAL

SAFETY

SERVICE & REPAIR

VACUUMS

CONTACT MARCO

800.BLAST.IT
(800.252.7848)
563.324.2519
FAX: 563.324.6258

WWW.MARCO.US
SALES@MARCO.US