



BLASTMASTER® BULK BAG RACK STAND



BUILT MARCO
TOUGH
MARCO MANUFACTURED

PART NUMBERS AND SCHEMATICS GUIDE

Company Profile

Since 1944, Marco has developed a strong tradition of providing innovative and reliable products and services to the surface preparation and protective coatings industries. We are the world's premier provider of Abrasives, Blasting, Coating, Dust Collectors, Engineered Systems, Rental, Safety, Service, Repair, & Modernization, and Vacuums.

Through innovative designs and a total commitment to quality, Marco manufactures products that increase production rates, create a safer workplace, and reduce maintenance costs. Marco's industry experience, manufacturing capabilities, legendary customer service, product availability, logistics services, and technology leadership is your assurance that we deliver high quality products and services, providing the best value to you, our customer.

The Marco Difference

- **Industry Experience** – With Marco on your team, you have access to expertise which can only come from decades of industry leadership. We have organized our engineering department, production specialists, customer operations, and safety support into a “Center of Competence.” As a Marco customer, you have access to hundreds of years of cumulative experience related to your operations.
- **Manufacturing Excellence** – Marco is a manufacturer of equipment for the Surface Preparation and Protective Coatings industries. Marco's engineers benchmark the industry to ensure that we design and manufacture superior products that set the “Gold Standard” for performance, safety, and quality.
- **Legendary Customer Service** – Marco's legendary customer service team is staffed by friendly, highly-trained individuals who are focused on providing the highest level of product support, order accuracy, and customer satisfaction.
- **Product Availability** – We stock over 10,000 SKU's and have more than 45 shipping locations to serve North American and International markets for all major brands of blasting and coating equipment. As the largest provider of surface preparation and protective coatings equipment in the world, our inventory levels and product availability are unmatched.
- **Logistics Services** – Marco's in-house logistics team is dedicated to moving your shipment anywhere in the world. We move more than 14,000 truckloads every year, allowing you to save on freight costs by leveraging our buying power. Lower your process costs with a single invoice, which includes product and freight.
- **Technology Leadership** – Our website provides: Operator's Manuals, Part Numbers and Schematics Guides, SDS information, and Features & Specifications Guides, providing access to information 24/7. Our Extranet application allows you to receive quotes and place orders online. Our Intranet maintains a complete record of your purchase history to assist with ongoing support of your existing equipment and future purchasing decisions.

Vision Statement

Marco is the world's premier provider of Abrasives, Blasting, Coating, Dust Collectors, Engineered Systems, Rental, Safety, Service, Repair, & Modernization, and Vacuums.

Mission Statement

Marco provides strong leadership and innovation to the surface preparation and protective coatings industries. We dedicate our efforts to the continuous improvement of our products, services, processes, people, and most importantly, the quality of our customer's experience.

Quality Statement

Marco is committed to providing superior quality in the design, manufacturing, distribution, rental, service, and repair of our products. Continuous improvement of our processes and supply chain Integration comprise the core of our business strategy for delivering exceptional quality and value in all Marco products and services.

Management Philosophy

We are a company dedicated to the success of every customer and associate. We discuss, debate, challenge, measure, and test our ideas. We will be boundless and limitless in our passion to improve. Through sound leadership and dedicated associates, we will ensure a long term, profitable future for Marco, our associates, customers, and suppliers.

TABLE OF CONTENTS

Company Profile	1
Part Numbers	3
Part Numbers And Schematics Guide	4
Blastmaster® Bulk Bag Rack Stand – Complete ..	4
Blastmaster® Bulk Bag Rack Stand	5
Optional Accessories	7
Lids and Screens	7

PART NUMBERS

BLASTMASTER® BULK BAG RACK STAND – COMPLETE

Part Numbers	Description	Fits Blastmaster® Abrasive Blasting Pot sizes					
		3.0 Cu. Ft	3.5 Cu. Ft	6.0 Cu. Ft	6.5 Cu. Ft	10.0 Cu. Ft	20.0 Cu. Ft
10105035	Blastmaster® Bulk Bag Rack Stand with Heavy-Duty Bulk Bag Rack and Funnel Assembly	X	X	X	X		
10106862	Blastmaster® Tall Bulk Bag Rack Stand with Heavy-Duty Bulk Bag Rack and Funnel Assembly	X	X	X	X	X	X
10105036	Blastmaster® Bulk Bag Rack Stand with Standard Duty Bulk Bag Rack and Funnel Assembly	X	X	X	X		
10105566	Blastmaster® Tall Bulk Bag Rack Stand with Standard Duty Bulk Bag Rack and Funnel Assembly	X	X	X	X	X	X
10104909	Blastmaster® Bulk Bag Rack Stand with Funnel Assembly (<i>No Bulk Bag Rack</i>)	X	X	X	X		
10106871	Blastmaster® Tall Bulk Bag Rack Stand with Funnel Assembly (<i>No Bulk Bag Rack</i>)	X	X	X	X	X	X

PART NUMBERS AND SCHEMATICS GUIDE

Figure 1: Blastmaster® Bulk Bag Rack Stand – Complete



Heavy-Duty



Standard-Duty

Item #	Part #	Description
Fig. 1		
—	10105035	Blastmaster® Bulk Bag Rack Stand with Heavy-Duty Bulk Bag Rack – Complete
—	10106862	Blastmaster® Tall Bulk Bag Rack Stand with Heavy-Duty Bulk Bag Rack – Complete
—	10105036	Blastmaster® Bulk Bag Rack Stand with Standard Duty Bulk Bag Rack – Complete
—	10105566	Blastmaster® Tall Bulk Bag Rack Stand with Standard Duty Bulk Bag Rack – Complete
—	10104909	Blastmaster® Bulk Bag Rack Stand with Funnel – Complete
—	10106871	Blastmaster® Tall Bulk Bag Rack Stand with Funnel – Complete
—	106M121	Part Numbers and Schematics Guide – Blastmaster® Bulk Bag Rack Stand
—	1090121	Operator's Manual – Blastmaster® Bulk Bag Rack Stand

PART NUMBERS AND SCHEMATICS GUIDE

Blastmaster® Bulk Bag Rack Stand

Item #	Part #	Description
Fig. 2		
1	10104621	Blastmaster® Bulk Bag Rack Stand
—	10105565	Blastmaster® Tall Bulk Bag Rack Stand
2	1090120	Hazard Identification Decals (<i>Sheet</i>)
3	10104957	Latch Assembly
4	10101706	1/4-20 X 2-3/4" Grade 5 Hex Bolt
5	10101940	1/4" Flat Washer
6	1012153	1/4" Lock Washer
7	10101347	1/4-20" Hex Nut
8	10101937	1/4-20 X 1" Grade 5 Bolt
9	10105061	Slide Gate Assembly
10	10105038	4" Hose Clamp
11	20KVSL400X300	4" Layflat Hose (<i>per foot</i>)
12	10103387	3/8" x 4" Locking Pin
13	10104768	Blastmaster® Heavy-Duty Bulk Bag Rack with Tapered Support Panels with Four Locking Pin Assemblies
14	10102133	Standard Bulk Bag Rack with Grid Support
15	10104950	Funnel Assembly (Includes Item #'s: 3, 4 (Quantity of Four), 5 (Quantity of 22), 6 (Quantity of 15), 7 (Quantity of 15), 8 (Quantity of 11), 9, 10, & 11)

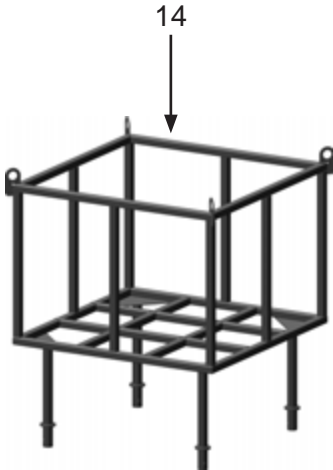
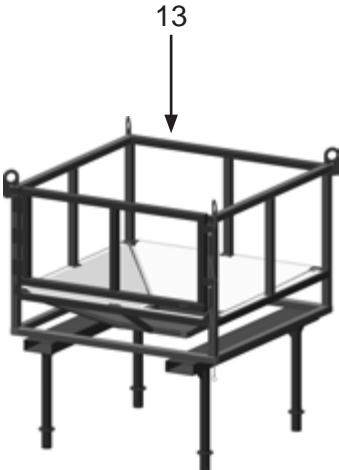
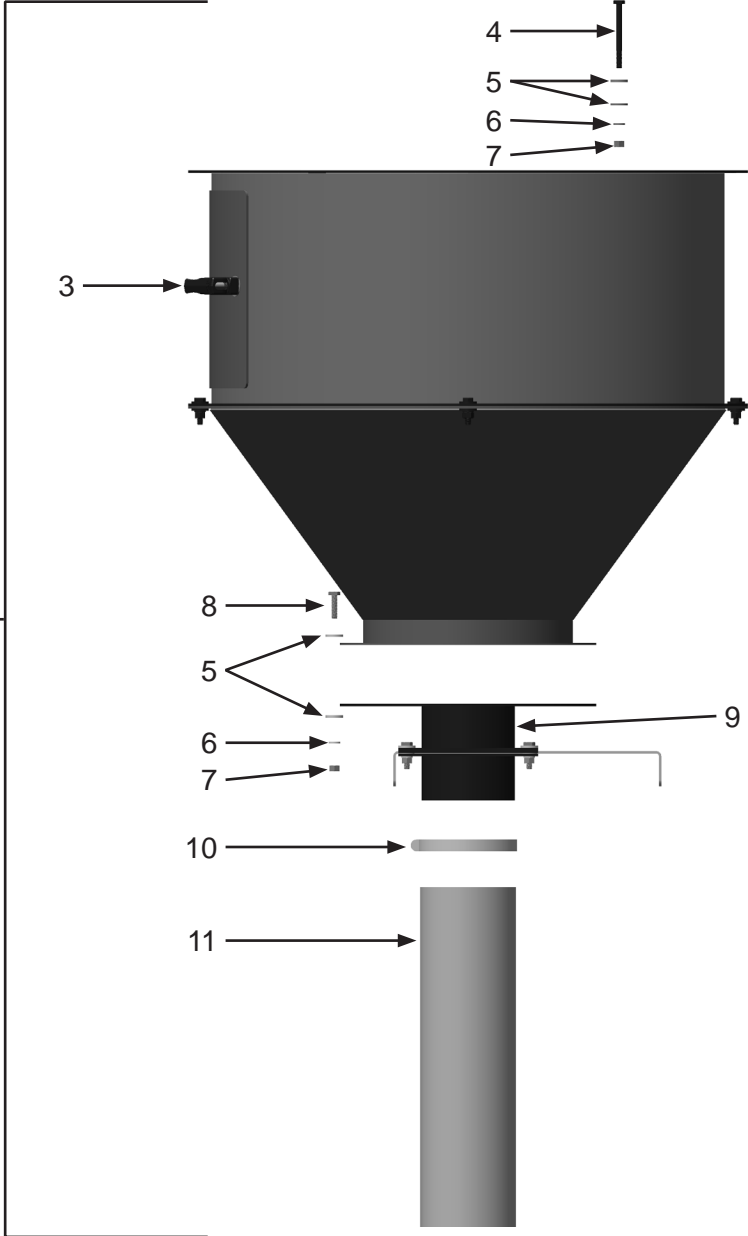
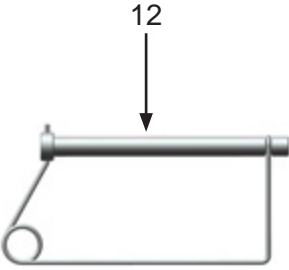
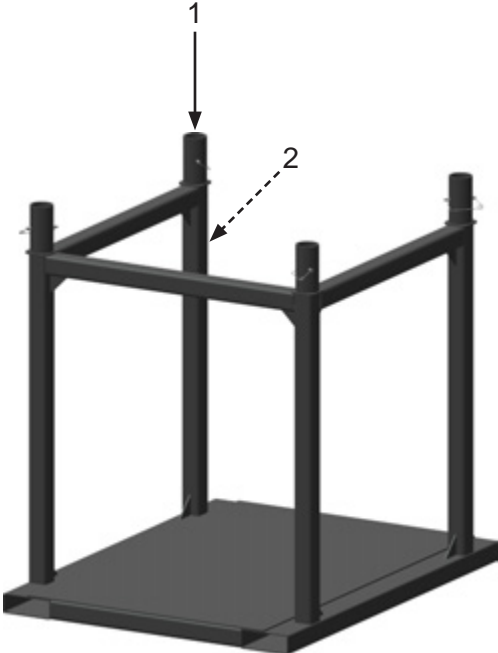
Stand with Heavy-Duty Rack	
Dry Weight: 1425 lbs.	
Dimensions:	
10105035	10106862 (Tall)
A: 62"	A: 62"
B: 57"	B: 75"
C: 128"	C: 146"

Rack Stand Only	
Dry Weight: 710 lbs.	
Dimensions:	
10104621	10105565 (Tall)
D: 62"	D: 62"
E: 61"	E: 75"
F: 49"	F: 49"

Stand with Standard-Duty Rack	
Dry Weight: 1415 lbs.	
Dimensions:	
10105036	10105566 (Tall)
G: 62"	G: 62"
H: 54" (To Funnel)	H: 72" (To Funnel)
I: 129"	I: 147"

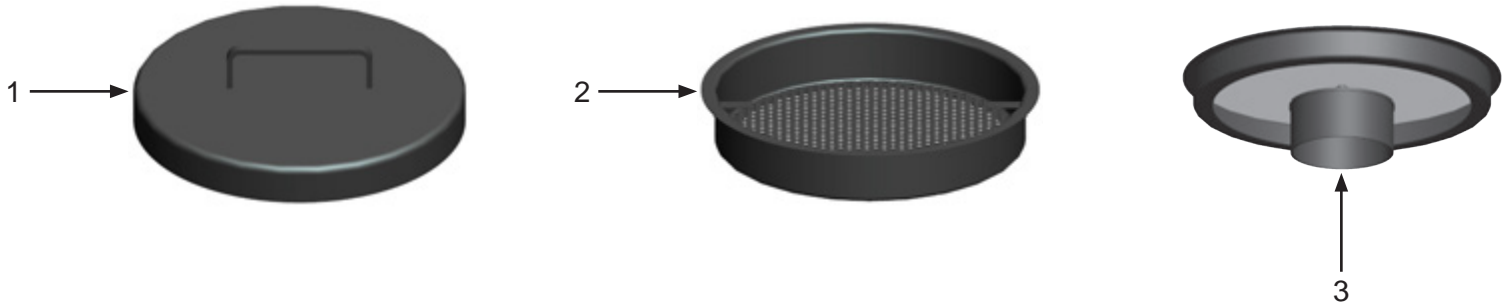
PART NUMBERS AND SCHEMATICS GUIDE

Figure 2: Blastmaster® Bulk Bag Rack Stand



OPTIONAL ACCESSORIES

Figure 1: Lids and Screens



Item #	Part #	Description
Fig. 3		
1	1006101	24" Lid
—	1035060	18" Lid
—	1003101	16" Lid
—	1002101	14" Lid
2	1006102	24" Screen
—	1035061	18" Screen
—	1003102	16" Screen
—	1002102	14" Screen
3	10100732	Abrasive Umbrella (Screen Not Included)

CONTACT CENTER

- 3425 East Locust Street
Davenport, IA 52803

ph: 800.BLAST.IT (800.252.7848)

ph: 563.324.2519

fax: 563.324.6258

REGIONAL BRANCH OFFICES

- **Iowa**
Davenport
- **Louisiana**
Gonzales
Lafayette
- **Ohio**
Youngstown
- **Texas**
Beaumont
Corpus Christi
Deer Park



ABRASIVES

BLASTING

COATING

DUST COLLECTION

RENTAL & SERVICE

SAFETY

VACUUMS

40+ NATIONWIDE SHIPPING LOCATIONS



★ Marco Regional Branch Offices
and Shipping Locations

● Direct Shipping Locations

CONTACT MARCO

800.BLAST.IT

(800.252.7848)

563.324.2519

FAX: 563.324.6258

WWW.MARCO.US

SALES@MARCO.US