



BLASTMASTER® BANTAM ABRASIVE METERING VALVE



**BUILT MARCO
TOUGH**
MARCO MANUFACTURED

PART NUMBERS AND SCHEMATICS GUIDE

Company Profile

Since 1944, Marco has developed a strong tradition of providing innovative and reliable products and services to the surface preparation and protective coatings industries. We are the world's premier provider of Abrasives, Blasting Equipment, Coating Equipment, Engineered Systems, Rental Equipment, Safety Equipment, Service, and Repair.

Through innovative designs and a total commitment to quality, Marco manufactures products that increase production rates, create a safer workplace, and reduce maintenance costs. Marco's industry experience, manufacturing capabilities, legendary customer service, product availability, logistics services, and technology leadership is your assurance that we deliver high quality products and services, providing the best value to you, our customer.

The Marco Difference

- **Industry Experience** – With Marco on your team, you have access to expertise which can only come from over 65 years of industry leadership. We have organized our engineering department, production specialists, customer operations, and safety support into a "Center of Competence." As a Marco customer, you have access to hundreds of years of cumulative experience related to your operations.
- **Manufacturing Excellence** – Marco is a U.S. based, ISO 9001:2008 certified manufacturer of equipment for the Surface Preparation and Protective Coatings industries. Marco's engineers benchmark the industry to ensure that we design and manufacture superior products that set the "Gold Standard" for performance, safety, and quality.
- **Legendary Customer Service** – Marco's legendary customer service team is staffed by friendly, highly-trained individuals who are focused on providing the highest level of product support, order accuracy, and customer satisfaction.
- **Product Availability** – We stock over 10,000 SKU's and have over 45 shipping locations to serve North American and International markets for all major brands of blasting and painting equipment. As the largest provider of surface preparation and protective coatings equipment in the world, our inventory levels and product availability are unmatched.
- **Logistics Services** – Marco's in-house logistics team is dedicated to moving your shipment anywhere in the world. We move over 14,000 truckloads every year, allowing you to save on freight costs by leveraging our buying power. Lower your process costs with a single invoice, which includes product and freight.
- **Technology Leadership** – Our website provides: Operator's Manuals, Part Numbers and Schematics Guides, MSDS information, and Features and Specifications Guides, providing access to information 24/7. Our Extranet application allows you to receive quotes and place orders online. Our Intranet maintains a complete record of your purchase history to assist with ongoing support of your existing equipment and future purchasing decisions.

Vision Statement

Marco is the world's premier provider of Abrasives, Blasting Equipment, Coating Equipment, Engineered Systems, Rental Equipment, Safety Equipment, Service, and Repair.

Mission Statement

Marco provides strong leadership and innovation to the surface preparation and protective coatings industries. We dedicate our efforts to the continuous improvement of our products, services, processes, people, and most importantly, the quality of our customer's experience.

Quality Policy

Marco is committed to providing superior quality in the design, manufacturing, distribution, rental, service, and repair of our products. Our ISO 9001:2008 certification extends throughout all operations in all locations. Continuous improvement of our processes and supply chain Integration comprise the core of our business strategy for delivering exceptional quality and value in all Marco products and services.

Management Philosophy

We are a company dedicated to the success of every customer and associate. We discuss, debate, challenge, measure, and test our ideas. We will be boundless and limitless in our passion to improve. Through sound leadership and dedicated associates, we will ensure a long term, profitable future for Marco, our associates, customers, and suppliers.

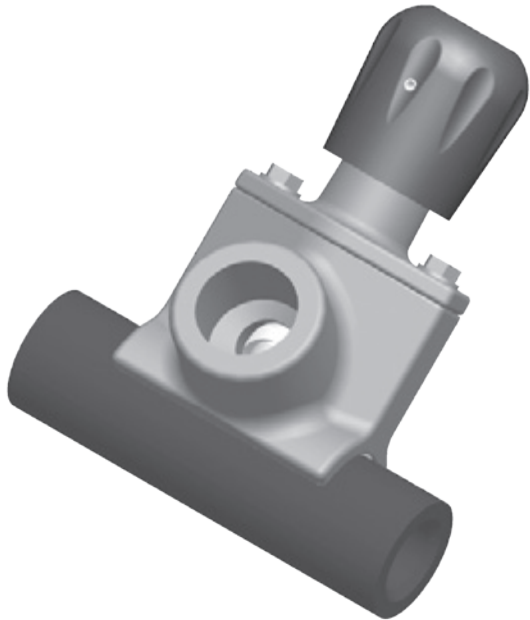
TABLE OF CONTENTS

Company Profile	2
Table of Contents	3
Blastmaster® Bantam Abrasive Metering Valve	4-7
Part Numbers	4-5
Part Numbers & Schematics	6-7

PART NUMBERS

Part Numbers	BLASTMASTER® BANTAM ABRASIVE METERING VALVE	
	Nipple Thread Size	Sleeve Material
1014103	1" (Female) x 1" (Female)	Urethane
1014100	1" (Female) x 1-1/2" (Male)	Urethane
1014101	1-1/4" (Male) x 1-1/2" (Male)	Urethane
1014102	1-1/2" (Male) x 1-1/2" (Male)	Urethane

BLASTMASTER® BANTAM ABRASIVE METERING VALVE



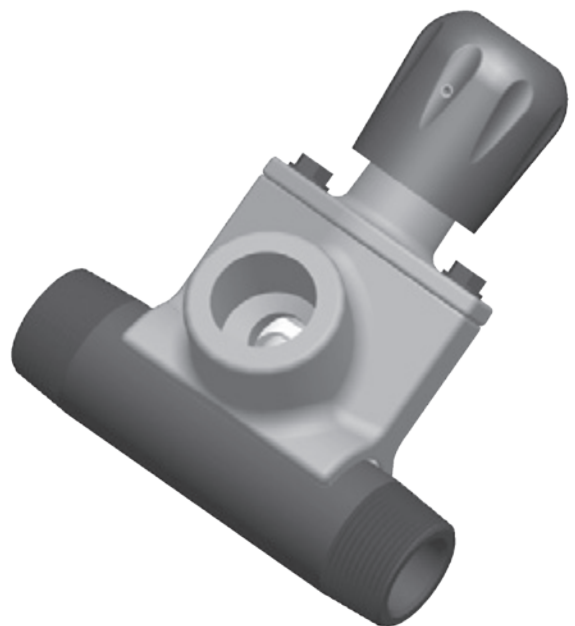
1014103



1014100



1014101



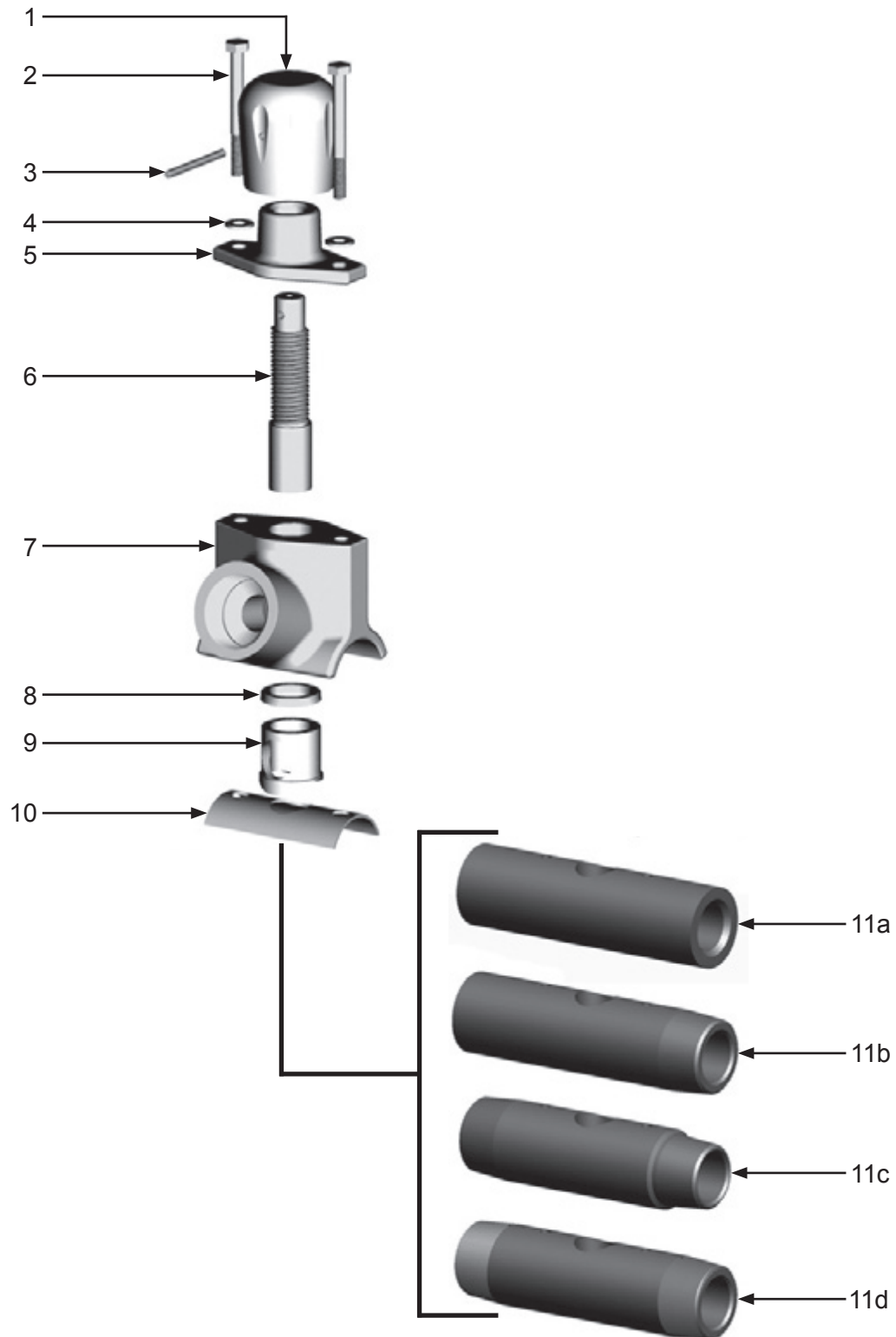
1014102

PART NUMBERS & SCHEMATICS

Item #	Part #	
Fig. 2		
—	1014103	1" Female x 1" Female Blastmaster® Bantam Abrasive Metering Valve – Complete <i>(For use with 1/2" I.D. Abrasive Blasting Hose)</i>
—	1014100	1" Blastmaster® Bantam Abrasive Metering Valve – Complete
—	1014101	1-1/4" Blastmaster® Bantam Abrasive Metering Valve – Complete
—	1014102	1-1/2" Blastmaster® Bantam Abrasive Metering Valve – Complete
1	1014110	Metering Knob
2	1014112	5/16-18 x 3-1/4" Hex Bolt <i>(Two Required)</i>
3	1014111	Knob Pin
4	10L805003	5/16" Washer <i>(Two Required)</i>
5	1014113	Cap
6	1014114	Plunger
7	1014115	Valve Body
8	1014219	Plunger Seal
9	1014117	Urethane Sleeve
10	1014118	Gasket
11a	10000135	1" Female x 1" Female Nipple
11b	1014119	1" Female x 1-1/2" Male Nipple
11c	1014120	1-1/4" Male x 1-1/2" Male Nipple
11d	1014121	1-1/2" Male x 1-1/2" Male Nipple
—	1014123	Repair Kit <i>(Includes Item #'s: 6,8,9, and 10)</i>
—	1014116	Soft Seal Kit <i>(Includes Item #'s: 8, 9, and 10)</i>
—	1011812	1" Male x 1/2" Female NPT Bushing <i>(For use with 1014103)</i>
—	10SB2S	1-1/2" NPS Brass Tank Coupling <i>(For use with 1014100, 1014101, 1014102)</i>
—	106M022	Part Numbers and Schematics Guide – Blastmaster® Bantam Abrasive Metering Valve
—	1090022	Operator's Manual – Blastmaster® Bantam Abrasive Metering Valve
—	1091045	Warning Tag

PART NUMBERS & SCHEMATICS

Figure 2: Blastmaster® Bantam Abrasive Metering Valve



GLOBAL HEADQUARTERS

- 3425 East Locust Street
Davenport, IA 52803

ph: 800.BLAST.IT (800.252.7848)

ph: 563.324.2519

fax: 563.324.6258

REGIONAL BRANCH OFFICES

- **Iowa**
Davenport
- **Louisiana**
Gonzales
Lafayette
- **Ohio**
Youngstown
- **Texas**
Beaumont
Corpus Christi
Deer Park

40+ NATIONWIDE SHIPPING LOCATIONS



★ Marco Regional Branch Offices
and Shipping Locations

● Direct Shipping Locations



ABRASIVES

BLASTING

COATING

DUST COLLECTORS

ENGINEERED SYSTEMS

RENTAL

SAFETY

SERVICE & REPAIR

VACUUMS

CONTACT MARCO

800.BLAST.IT

(800.252.7848)

563.324.2519

FAX: 563.324.6258

WWW.MARCO.US

SALES@MARCO.US