



PATENT PENDING

BLASTMASTER® AUTOMATED DEPRESSURIZATION SYSTEM



**BUILT MARCO
TOUGH**
MARCO MANUFACTURED

PARTNUMBERSANDSCHEMATICSGUIDE

Company Profile

Since 1944, Marco has developed a strong tradition of providing innovative and reliable products and services to the surface preparation and protective coatings industries. We are the world's premier provider of Abrasives, Blasting, Coating, Dust Collectors, Engineered Systems, Rental, Safety, Service, Repair, & Modernization, and Vacuums.

Through innovative designs and a total commitment to quality, Marco manufactures products that increase production rates, create a safer workplace, and reduce maintenance costs. Marco's industry experience, manufacturing capabilities, legendary customer service, product availability, logistics services, and technology leadership is your assurance that we deliver high quality products and services, providing the best value to you, our customer.

The Marco Difference

- **Industry Experience** – With Marco on your team, you have access to expertise which can only come from decades of industry leadership. We have organized our engineering department, production specialists, customer operations, and safety support into a “Center of Competence.” As a Marco customer, you have access to hundreds of years of cumulative experience related to your operations.
- **Manufacturing Excellence** – Marco is a U.S. based, ISO 9001:2008 certified manufacturer of equipment for the Surface Preparation and Protective Coatings industries. Marco's engineers benchmark the industry to ensure that we design and manufacture superior products that set the “Gold Standard” for performance, safety, and quality.
- **Legendary Customer Service** – Marco's legendary customer service team is staffed by friendly, highly-trained individuals who are focused on providing the highest level of product support, order accuracy, and customer satisfaction.
- **Product Availability** – We stock over 10,000 SKU's and have more than 45 shipping locations to serve North American and International markets for all major brands of blasting and coating equipment. As the largest provider of surface preparation and protective coatings equipment in the world, our inventory levels and product availability are unmatched.
- **Logistics Services** – Marco's in-house logistics team is dedicated to moving your shipment anywhere in the world. We move more than 14,000 truckloads every year, allowing you to save on freight costs by leveraging our buying power. Lower your process costs with a single invoice, which includes product and freight.
- **Technology Leadership** – Our website provides: Operator's Manuals, Part Numbers and Schematics Guides, SDS information, and Features & Specifications Guides, providing access to information 24/7. Our Extranet application allows you to receive quotes and place orders online. Our Intranet maintains a complete record of your purchase history to assist with ongoing support of your existing equipment and future purchasing decisions.

Vision Statement

Marco is the world's premier provider of Abrasives, Blasting, Coating, Dust Collectors, Engineered Systems, Rental, Safety, Service, Repair, & Modernization, and Vacuums.

Mission Statement

Marco provides strong leadership and innovation to the surface preparation and protective coatings industries. We dedicate our efforts to the continuous improvement of our products, services, processes, people, and most importantly, the quality of our customer's experience.

Quality Statement

Marco is committed to providing superior quality in the design, manufacturing, distribution, rental, service, and repair of our products. Our ISO 9001:2008 certification extends throughout all operations in all locations. Continuous improvement of our processes and supply chain Integration comprise the core of our business strategy for delivering exceptional quality and value in all Marco products and services.

Management Philosophy

We are a company dedicated to the success of every customer and associate. We discuss, debate, challenge, measure, and test our ideas. We will be boundless and limitless in our passion to improve. Through sound leadership and dedicated associates, we will ensure a long term, profitable future for Marco, our associates, customers, and suppliers.

TABLE OF CONTENTS

Company Profile	1
Assembly Part Numbers and Schematics	3
Blastmaster® Automated Depressurization System . .	3
Optional Accessories	5

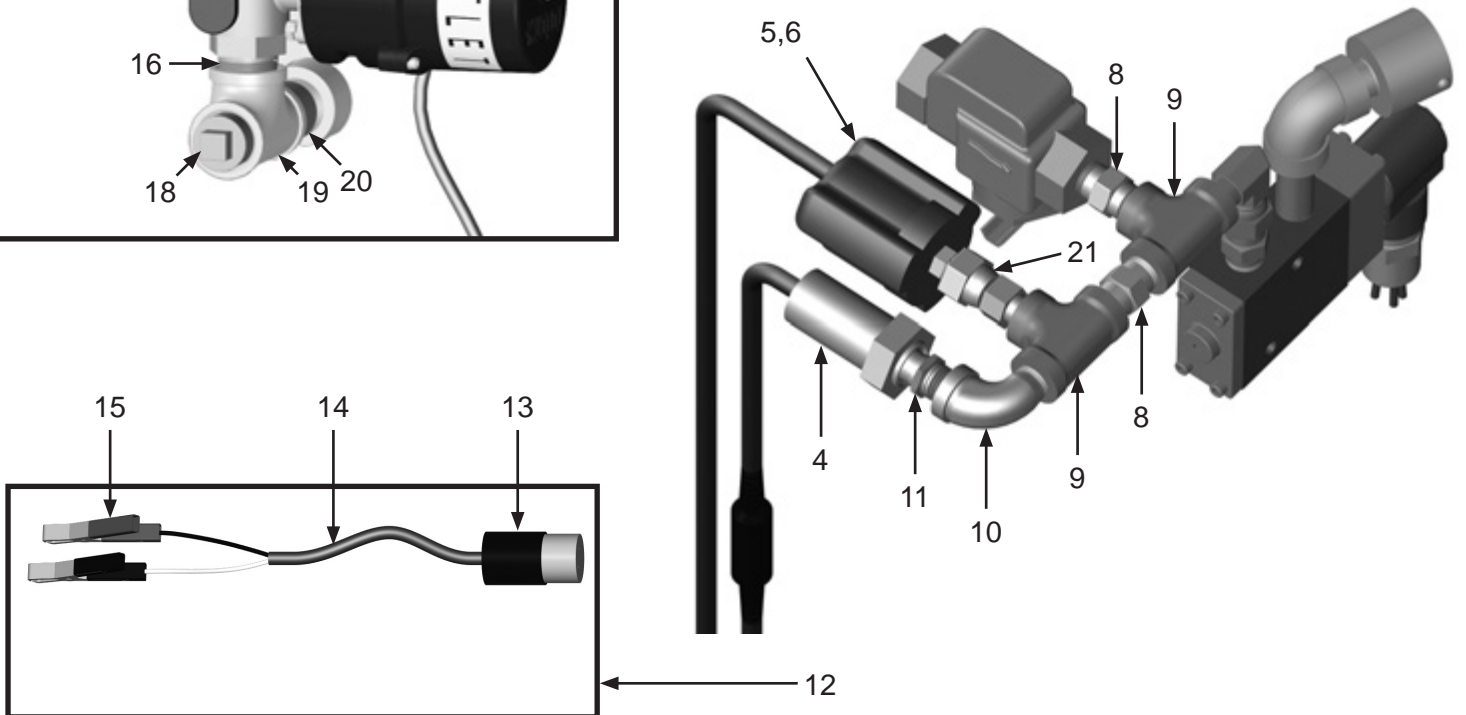
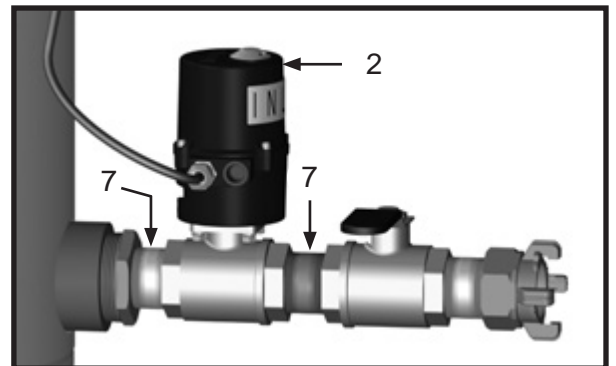
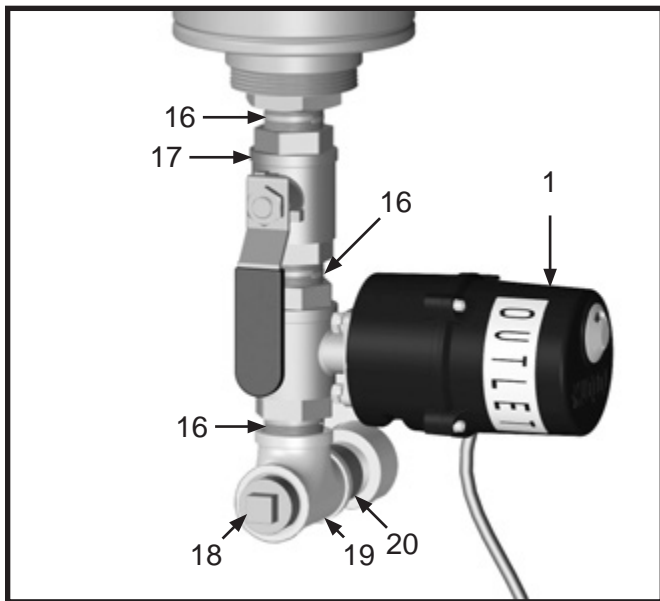
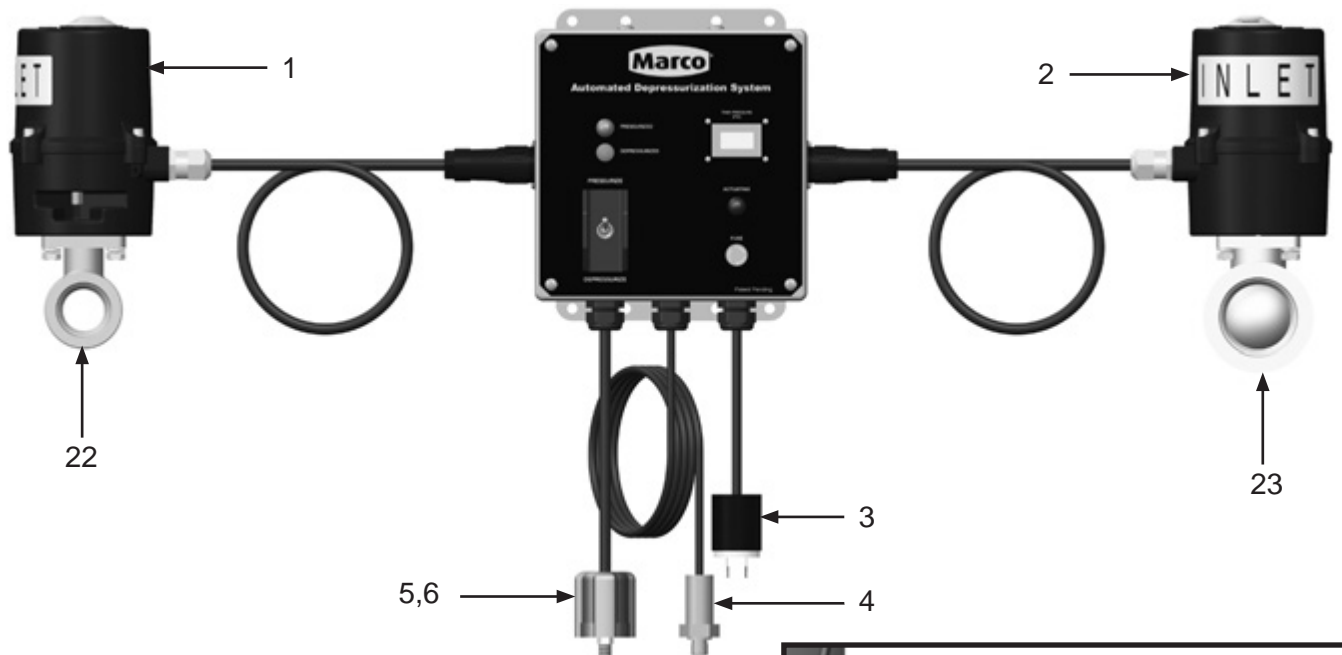
ASSEMBLY PART NUMBERS AND SCHEMATICS

Blastmaster® Automated Depressurization System


Item #	Part #	Description
Fig. 1		
—	10102550	Blastmaster® Automated Depressurization System – Complete
1	10104514	1-1/4" Electronic Ball Valve with 17 feet of 16/4 Electric Cord and Connector
2	10104513	2" Electronic Ball Valve with 8 feet of 16/4 Electric Cord and Connector
3	1015551	Twist-lock Plug - 2-Prong - Male
4	10104620	High Pressure Transducer Fitting
5	10103200	Pressure Switch
6	10103201	Pressure Switch Weatherproof Cover
7	1001806	2" NPT Close Nipple (<i>Two Required</i>)
8	1017019	1/4" x 1/4" Hex Nipple (<i>Two Required</i>)
9	1011844	1/4" Pipe Tee (<i>Two Required</i>)
10	1011824	1/4" 90° Street Elbow
11	20PFHA24B0402	1/4" x 1/8" Reducing Bushing
12	1015541	Battery Clamp Kit - 2-Prong
13	1015552	Twist-lock Plug - 2-Prong - Female
14	1015540	16/2 Power Cord (<i>Per Foot</i>)
15	1030718	Battery Clamps
16	1011201	1-1/4" Close Nipple (<i>Three Required</i>)
17	1011602	1-1/4" Ball Valve
18	1011902	1-1/4" NPT Square Head Pipe Plug
19	1011803	1-1/4" Tee
20	10105252	1-1/4" X 3" Nipple
21	10SME025	1/4" NPT X 1/4" Swivel Nipple
22	10105308	1-1/4" 2-Piece Brass Ball Valve
23	10105307	2" 2-Piece Brass Ball Valve
—	106M118	Part Numbers and Schematics Guide – Blastmaster® Automated Depressurization System
—	1090118	Operator's Manual – Blastmaster® Automated Depressurization System
—	1091017	Hazard Identification Tag



PART NUMBERS AND SCHEMATICS

Figure 1: Blastmaster® Automated Depressurization System



OPTIONAL ACCESSORIES

ELECTRIC CORDS						
	Part Numbers	Gauge	# of Wires	2-Prong Male Twist-Lock Plug	2-Prong Female Twist-Lock Plug	Length
	1015543	16	2	1015551	1015552	25 Feet
	1015542	16	2	1015551	1015552	50 Feet

ELECTRIC CORD PLUGS			
	Part Numbers	Prong Style	Plug Style
	1015551	2-Prong Male	Twist-Lock
	1015552	2-Prong Female	Twist-Lock

GLOBAL HEADQUARTERS

- 3425 East Locust Street
Davenport, IA 52803

ph: 800.BLAST.IT (800.252.7848)

ph: 563.324.2519

fax: 563.324.6258

REGIONAL BRANCH OFFICES

- **Iowa**
Davenport
- **Louisiana**
Gonzales
Harvey
Lafayette
- **Ohio**
Youngstown
- **Texas**
Beaumont
Corpus Christi
Deer Park



ABRASIVES

BLASTING

COATING

DUST COLLECTORS

ENGINEERED SYSTEMS

RENTAL

SAFETY

SERVICE & REPAIR

VACUUMS

40+ NATIONWIDE SHIPPING LOCATIONS



★ Marco Regional Branch Offices
and Shipping Locations

● Direct Shipping Locations

CONTACT MARCO

800.BLAST.IT
(800.252.7848)
563.324.2519
FAX: 563.324.6258

WWW.MARCO.US
SALES@MARCO.US