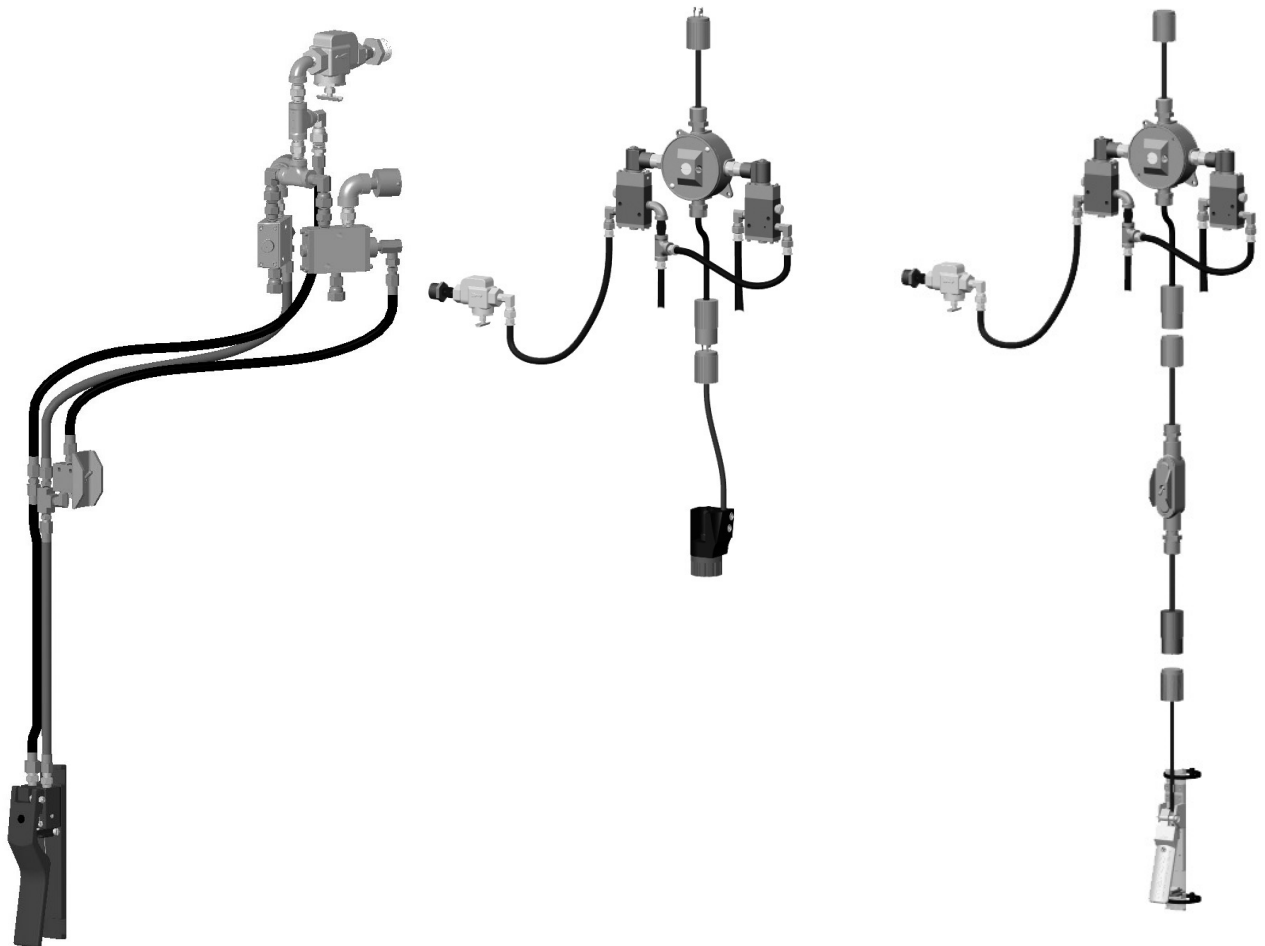




MARCO® ABRASIVE CUT-OFF SYSTEM



Powered by **ALLREDI**.

PART NUMBERS AND SCHEMATICS GUIDE

Company Profile

Allredi was formed in the early 2020, when two of the largest distributors in the blasting, coating, safety, and environmental industry, APE Companies and Marco Group International, joined forces. While the qualities both companies are known for have not changed, a lot about our business is new. New abilities. New agilities. New ways to help you win. This calls for a new name, Allredi.

This name exemplifies what we have become. It is completely oriented to the needs of our customers. To your needs. It says that when you call us for anything – products, service, expert advice, anything – you can consider it done. Or even better, Allredi done.

We are your right-now supplier. From skills to SKUs, we deliver the goods fast. So you can be more agile every minute, every day. This is who we are. This is what our new name means. Go ahead and expect excellence, because we're bringing it.

Our Mission and Vision

To be the industry's preferred partner in surface preparation solutions through unrivaled technical expertise, customer experience, product availability, and tailored service offerings.

The Allredi Difference

- **Industry Experience** – With Allredi on your team, you have access to expertise which can only come from decades of industry leadership. We have organized our engineering department, production specialists, customer operations, and safety support into a "Center of Competence." As an Allredi customer, you have access to hundreds of years of cumulative experience related to your operations.
- **Manufacturing Excellence** – Allredi is a U.S. based manufacturer of equipment for the Surface Preparation and Protective Coatings industries. Allredi's engineers benchmark the industry to ensure that we design and manufacture superior products that set the "Gold Standard" for performance, safety, and quality.
- **Legendary Customer Service** – Allredi's legendary customer service team is staffed by friendly, highly-trained individuals who are focused on providing the highest level of product support, order accuracy, and customer satisfaction.
- **Product Availability** – We stock over 10,000 SKU's and have over 45 shipping locations to serve North American and International markets for all major brands of blasting, coating, environmental, and safety equipment. Allredi is your right-now supplier, so you can keep your projects moving. From our foundation of strong relationships, we have built a nationwide network that puts vast inventory and ready service close to our customers. We provide advanced expertise, and we deliver the goods fast – so you can easily access the products and services you need to me more agile every minute, every day.
- **Technology Leadership** – Our website provides: Operator's Manuals, Part Numbers and Schematics Guides, SDS information, and key product features and specifications, providing access to information 24/7.

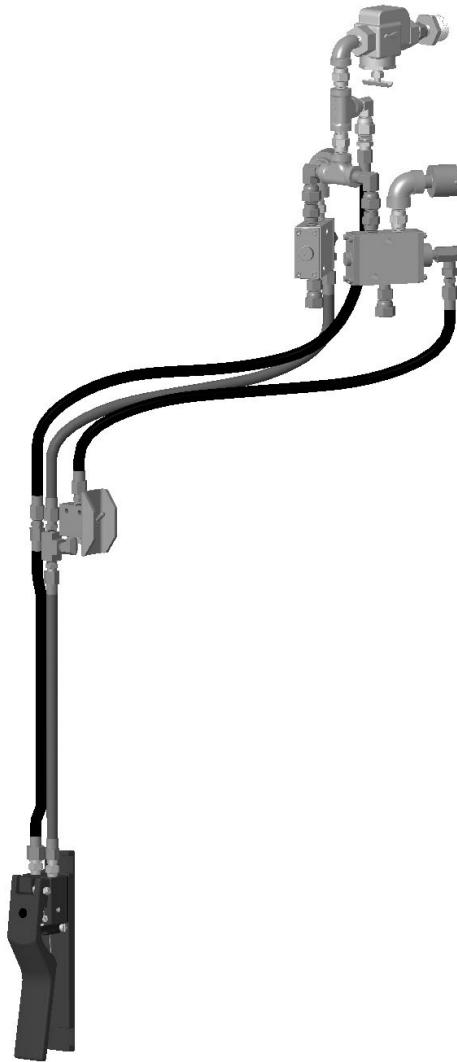
TABLE OF CONTENTS

Company Profile	1	Electric Optional Accessories	39-40
Table of Contents	2	Electric Cord	39
Pneumatic Part Numbers	3-4	Electric Control Line with 3-Prong Plugs	39
Pneumatic – Small Pot Manifold		Electric Control Line Plugs	41
Complete System	5-6	Maintenance Notes	41-42
Parts Plus Kit	7-8		
Pneumatic – Bulk Pot Manifold			
Complete System	9-10		
Parts Plus Kit	11-12		
Pneumatic Abrasive Cut-Off Switch	13		
Pneumatic Control Valve	14		
Pneumatic Optional Accessories	15-16		
Pneumatic Control Line	15		
Pneumatic Control Line Fittings	16		
Pneumatic Control Line Fittings Accessories ..	16		
Electric Part Numbers	17-18		
Electric – 151E Switch – Small Pot Manifold			
Complete System	19-20		
Parts Plus Kit	21-22		
Electric – 151E Switch – Bulk Pot Manifold			
Complete System	23-24		
Parts Plus Kit	25-26		
Electric – 157E Switch – Small Pot Manifold			
Complete System	27-28		
Parts Plus Kit	29-30		
Electric – 157E Switch – Bulk Pot Manifold			
Complete System	31-32		
Parts Plus Kit	33-34		
Electric Abrasive Cut-Off Switch	35		
12-Volt DC Electric Control Valve	36		
Abrasive Cut-Off Switch Control Box	37		
Abrasive Cut-Off System Bulk Pot Bracket	38		

PART NUMBERS AND SCHEMATICS GUIDE

MARCO® ABRASIVE CUT-OFF SYSTEM – PNEUMATIC						
Part Numbers	Small Pot Manifold <i>(10 Cu. Ft. and smaller)</i>	Bulk Pot Manifold	Complete System	Parts Plus Kit <i>(For systems with existing controls)</i>	Marco® Remote Control Switch	Pneumatic
10101384	X		X		152P	X
10101385	X			X	152P	X
10101363		X	X		152P	X
10101364		X		X	152P	X

PART NUMBERS AND SCHEMATICS GUIDE



(Pneumatic System)

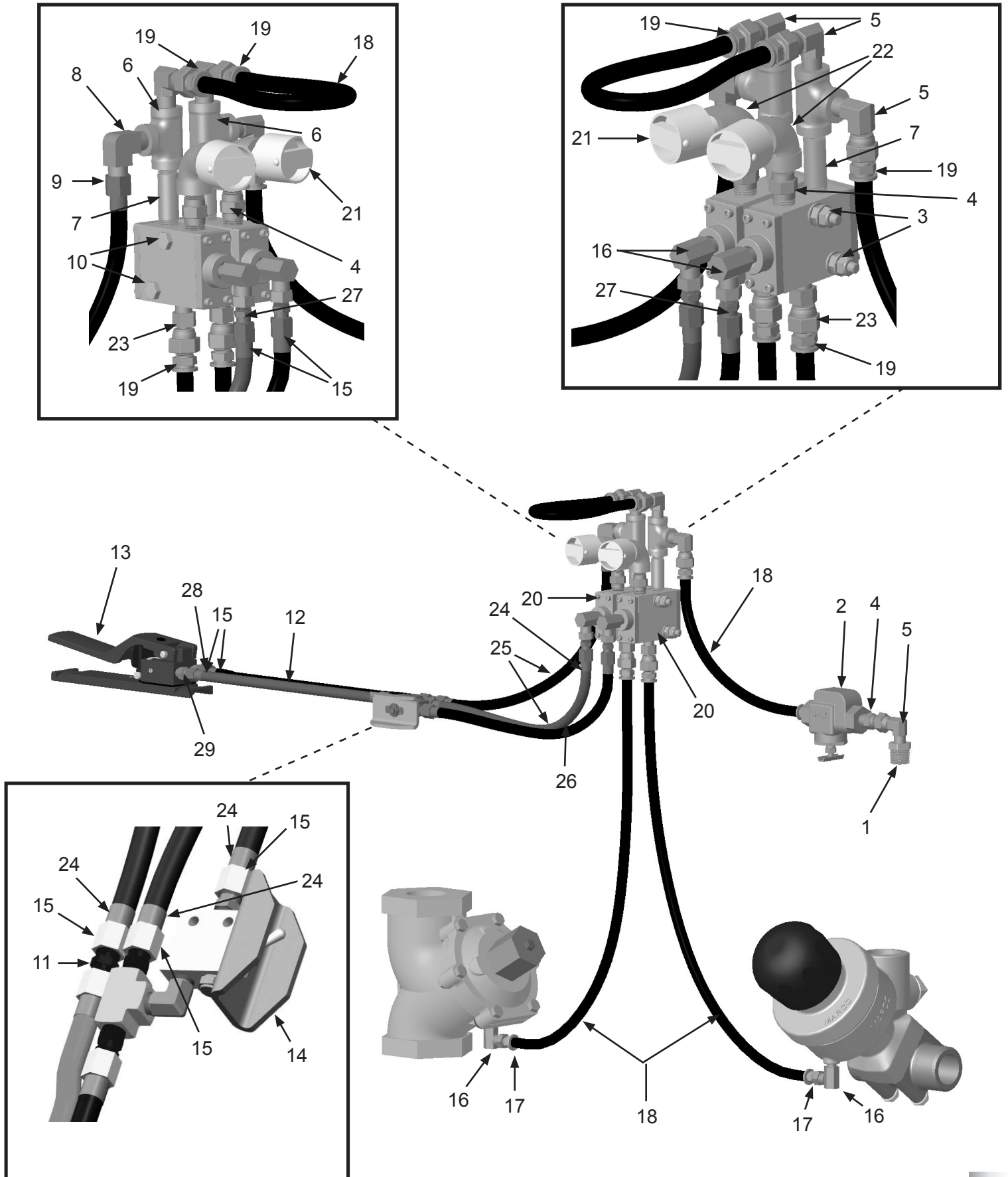
PART NUMBERS AND SCHEMATICS GUIDE

Marco® Abrasive Cut-Off System – Pneumatic – Small Pot Manifold – Complete

Item #	Part #	Description
Fig. 1		
—	10101384	Small Pot Abrasive Cut-Off Switch Control System – Pneumatic – Complete
1	1011818	1/2" x 1/4" Galvanized Bushing
2	10WS	1/4" Watts Strainer
3	1012323	1/4-20 Zinc Lock Nut With Nylon Insert
4	1017019	1/4" x 1/4" NPT Hex Nipple <i>(Three Required)</i>
5	1012326	90° Degree Swivel 1/4" x 1/4" <i>(Four Required)</i>
6	1011844	1/4" NPT Pipe Tee <i>(Two Required)</i>
7	1011217	1/4" x 2" NPT Pipe Nipple <i>(Two Required)</i>
8	1012051	1/4" JIC x 1/4" NPT 90° Brass Elbow
9	1017013	1/4" Female Nut & Barb
10	10101706	1/4-20 x 2-3/4" Grade 5 Hex Bolt
11	1017001	3/16" I.D. Hose Union
12	10109181	Twinline Hose – 3 Feet
13	1015200	Marco® 152P Remote Control Switch
14	1012900	Pneumatic Abrasive Cut-Off Switch – Complete <i>(See Figure 5)</i>
15	1017016	3/16" Female Nut & Barb <i>(Six Required)</i>
16	1014239	1/8" NPT 90° Swivel Fitting <i>(Four Required)</i>
17	10PAF0125	1/8" Push-On Hose Fitting <i>(Two Required)</i>
18	10AH025	1/4" Push-On Air Hose
19	10PAF025	1/4" Push-On Hose Fitting
20	1019000	Pneumatic Pilot Valve – Normally Closed <i>(Two Required)</i> <i>(See Figure 6)</i>
21	10DE025	1/4" Dust Eliminator <i>(Two Required)</i>
22	1011832	1/4" NPT 90° Elbow <i>(Two Required)</i>
23	10SME025	1/4" NPT x 1/4" (F) Straight Swivel <i>(Two Required)</i>
24	1017017	Twinline Hose Ferrule <i>(Six Required)</i>
25	10TL50	Twinline Hose – 50 Feet
26	10101764	Control Line ACS Pneumatic – 50 Feet
27	1012903	7/16-20 45° x 1/8 NPT <i>(Two Required)</i>
28	1017013	1/4" Female Nut & Barb S/P
29	1017012	1/8" Female Nut & Barb S/P
—	1091045	Hazard Identification Tag
—	106M068	Part Numbers and Schematics Guide – Marco® 152P Remote Control Switch
—	106M090	Part Numbers and Schematics Guide – Marco® Abrasive Cut-Off System
—	1090068	Operator's Manual – Marco® 152P Remote Control Switch
—	1090090	Operator's Manual – Marco® Abrasive Cut-Off System

PART NUMBERS AND SCHEMATICS GUIDE

Figure 1: Marco® Abrasive Cut-Off System – Pneumatic – Small Pot Manifold – Complete



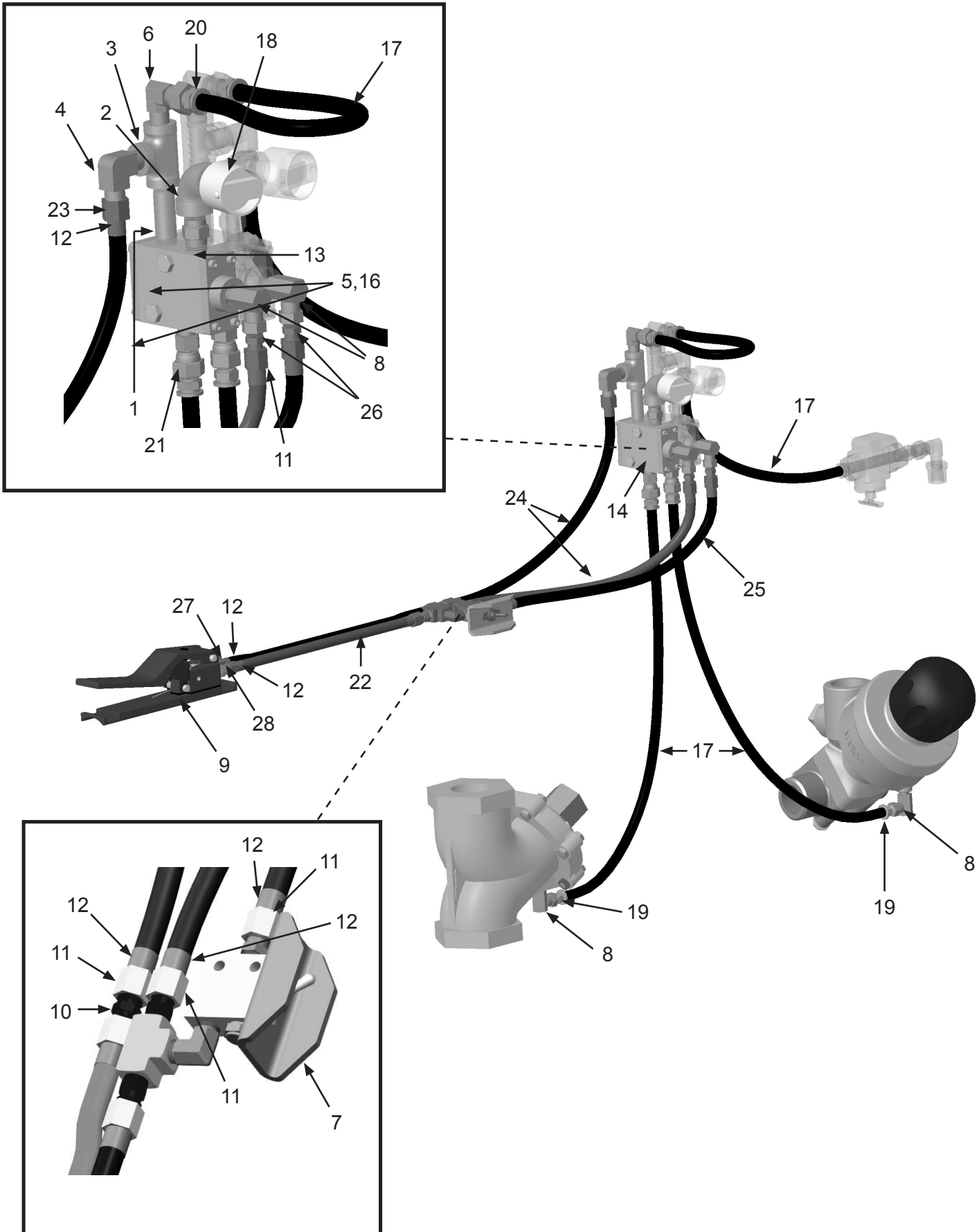
PART NUMBERS AND SCHEMATICS GUIDE

Marco® Abrasive Cut-Off System – Pneumatic – Small Pot Manifold – Parts Plus Kit

Item #	Part #	Description
Fig. 2		
—	10101385	Small Pot Abrasive Cut-Off Switch Control System – Pneumatic – Parts Plus Kit <i>(For systems with existing controls)</i>
1	1011217	1/4" x 2" NPT Pipe Nipple
2	1011832	Galvanized 1/4" 90° Elbow
3	1011844	1/4" NPT Pipe Tee
4	1012051	1/4" JIC x 1/4" NPT 90° Brass Elbow
5	1012323	1/4"-20 Zinc Lock Nut With Nylon <i>(Two Required)</i>
6	1012326	1/4" NPT 90° Swivel Fitting
7	1012900	Pneumatic Abrasive Cut-Off Switch – Complete <i>(See Figure 5)</i>
8	1014239	1/8" NPT 90° Swivel Fitting
9	1015200	Marco® 152P Remote Control Switch
10	1017001	3/16" I.D. Hose Union
11	1017016	3/16" Female Nut & Barb <i>(Six Required)</i>
12	1017017	Twinline Hose Ferrule <i>(Six Required)</i>
13	1017019	1/4" x 1/4" NPT Hex Nipple
14	1019000	Pneumatic Pilot Valve – Normally Closed <i>(See Figure 6)</i>
15	10101142	1/8" NPT x 7/16" JIC Elbow <i>(Two Required)</i>
16	10101706	1/4-20 x 2-3/4" Grade 5 Hex <i>(Two Required)</i>
17	10AH025	1/4" Push-On Air Hose
18	10DE025	1/4" Dust Eliminator
19	10PAF0125	1/8" Push-On Hose Fitting
20	10PAF025	1/4" Push-On Hose Fitting
21	10SME025	1/4" NPT x 1/4" (F) Straight Swivel
22	10109181	Twinline Hose – 3 Feet
23	1017013	1/4" Female Nut & Barb
24	10TL50	Twinline Hose – 50 Feet
25	10101764	Control Line ACS Pneumatic – 50 Feet
26	1012903	7/16-20 45° x 1/8 NPT <i>(Two Required)</i>
27	1017013	1/4" Female Nut & Barb S/P
28	1017012	1/8" Female Nut & Barb S/P
—	1091045	Hazard Identification Tag
—	106M068	Part Numbers and Schematics Guide – Marco® 152P Remote Control Switch
—	106M090	Part Numbers and Schematics Guide – Marco® Abrasive Cut-Off System
—	1090068	Operator's Manual – Marco® 152P Remote Control Switch
—	1090090	Operator's Manual – Marco® Abrasive Cut-Off System

PART NUMBERS AND SCHEMATICS GUIDE

Figure 2: Marco® Abrasive Cut-Off System – Pneumatic – Small Pot Manifold – Parts Plus Kit



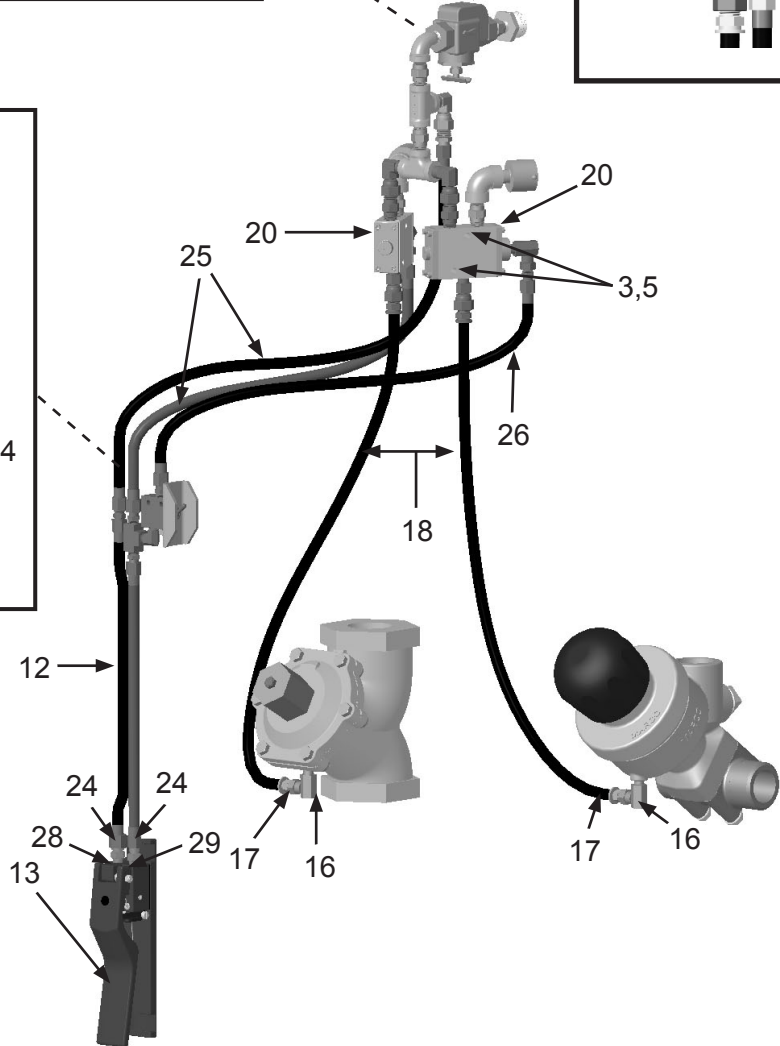
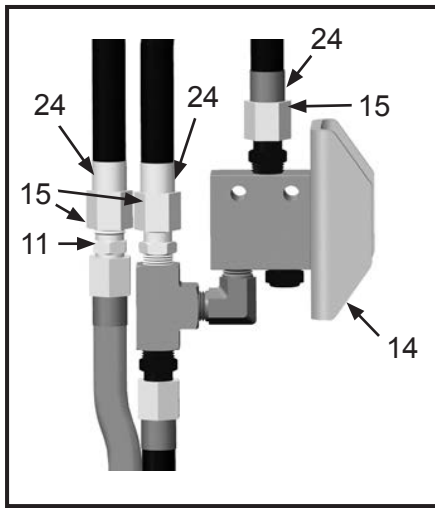
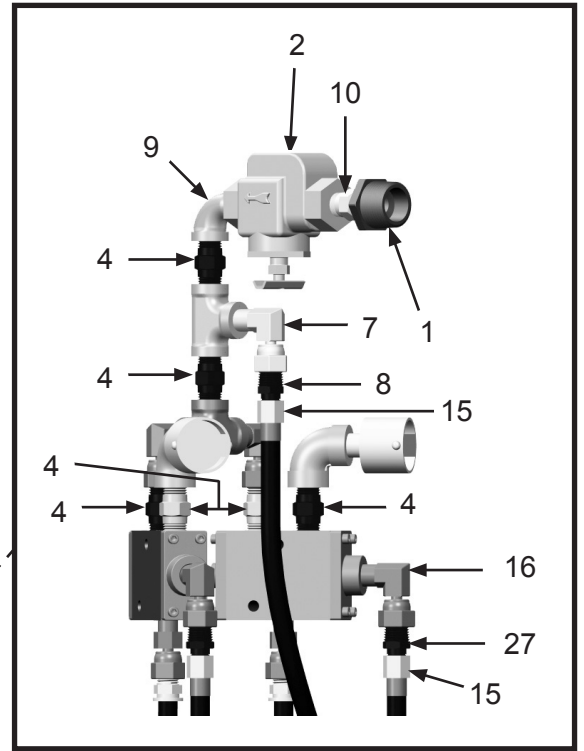
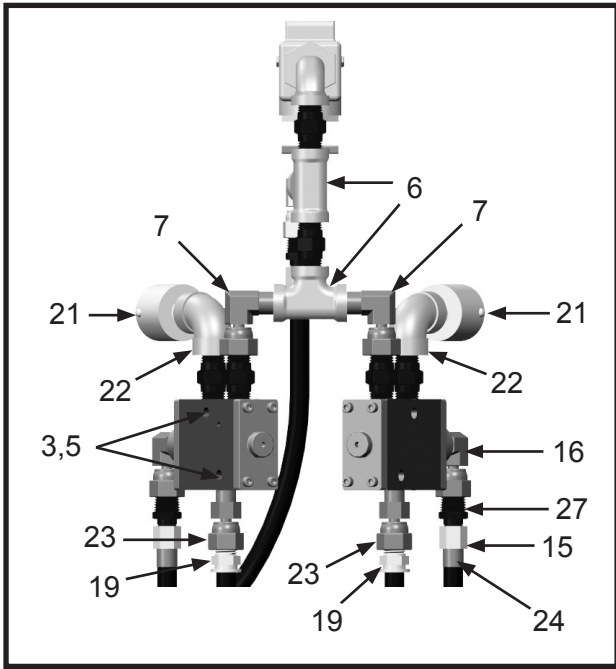
PART NUMBERS AND SCHEMATICS GUIDE

Marco® Abrasive Cut-Off System – Pneumatic – Bulk Pot Manifold – Complete

Item #	Part #	Description
Fig. 3		
—	10101363	Bulk Pot Abrasive Cut-Off Switch Control System – Pneumatic – Complete
1	1011818	1/2" x 1/4" Galvanized Bushing
2	10WS	1/4" Watts Strainer
3	1019044	1/4-20 x 1-3/4" Zinc Bolt <i>(Four Required)</i>
4	1017019	1/4" x 1/4" NPT Hex Nipple <i>(Six Required)</i>
5	1012323	1/4-20 Zinc Lock Nut With Nylon Insert <i>(Four Required)</i>
6	1011844	1/4" NPT Pipe Tee <i>(Two Required)</i>
7	1012326	90° Swivel 1/4" x 1/4" <i>(Five Required)</i>
8	10101140	1/4" NPT x 7/16-20 Tapered Adapter <i>(Two Required)</i>
9	1011824	1/4" Street Elbow – Galvanized
10	10100523	1/4" x 1/4" Stainless Steel Hex Nipple
11	1017001	3/16" I.D. Hose Union
12	10109181	Twinline Hose – 3 Feet
13	1015200	Marco® 152P Remote Control Switch
14	1012900	Pneumatic Abrasive Cut-Off Switch – Complete <i>(See Figure 5)</i>
15	1017016	3/16" Female Nut & Barb <i>(Six Required)</i>
16	1014239	1/8" NPT 90° Swivel Fitting <i>(Four Required)</i>
17	10PAF0125	1/8" Push-On Hose Fitting <i>(Two Required)</i>
18	10AH025	1/4" Push-On Air Hose
19	10PAF025	1/4" Push-On Hose Fitting <i>(Two Required)</i>
20	1019000	Pneumatic Pilot Valve – Normally Closed <i>(Two Required)</i> <i>(See Figure 6)</i>
21	10DE025	1/4" Dust Eliminator <i>(Two Required)</i>
22	1011832	1/4" NPT 90° Elbow <i>(Two Required)</i>
23	10SME025	1/4" NPT x 1/4" (F) Straight Swivel <i>(Two Required)</i>
24	1017017	Twinline Hose Ferrule <i>(Ten Required)</i>
25	10TL50	Twinline Hose – 50 Feet
26	10101764	Control Line ACS Pneumatic – 50 Feet
27	1012903	7/16-20 45° x 1/8 NPT <i>(Two Required)</i>
28	1017013	1/4" Female Nut & Barb S/P
29	1017012	1/8" Female Nut & Barb S/P
—	1091045	Hazard Identification Tag
—	106M068	Part Numbers and Schematics Guide – Marco® 152P Remote Control Switch
—	106M090	Part Numbers and Schematics Guide – Marco® Abrasive Cut-Off System
—	1090068	Operator's Manual – Marco® 152P Remote Control Switch
—	1090090	Operator's Manual – Marco® Abrasive Cut-Off System

PART NUMBERS AND SCHEMATICS GUIDE

Figure 3: Marco® Abrasive Cut-Off System – Pneumatic – Bulk Pot Manifold – Complete



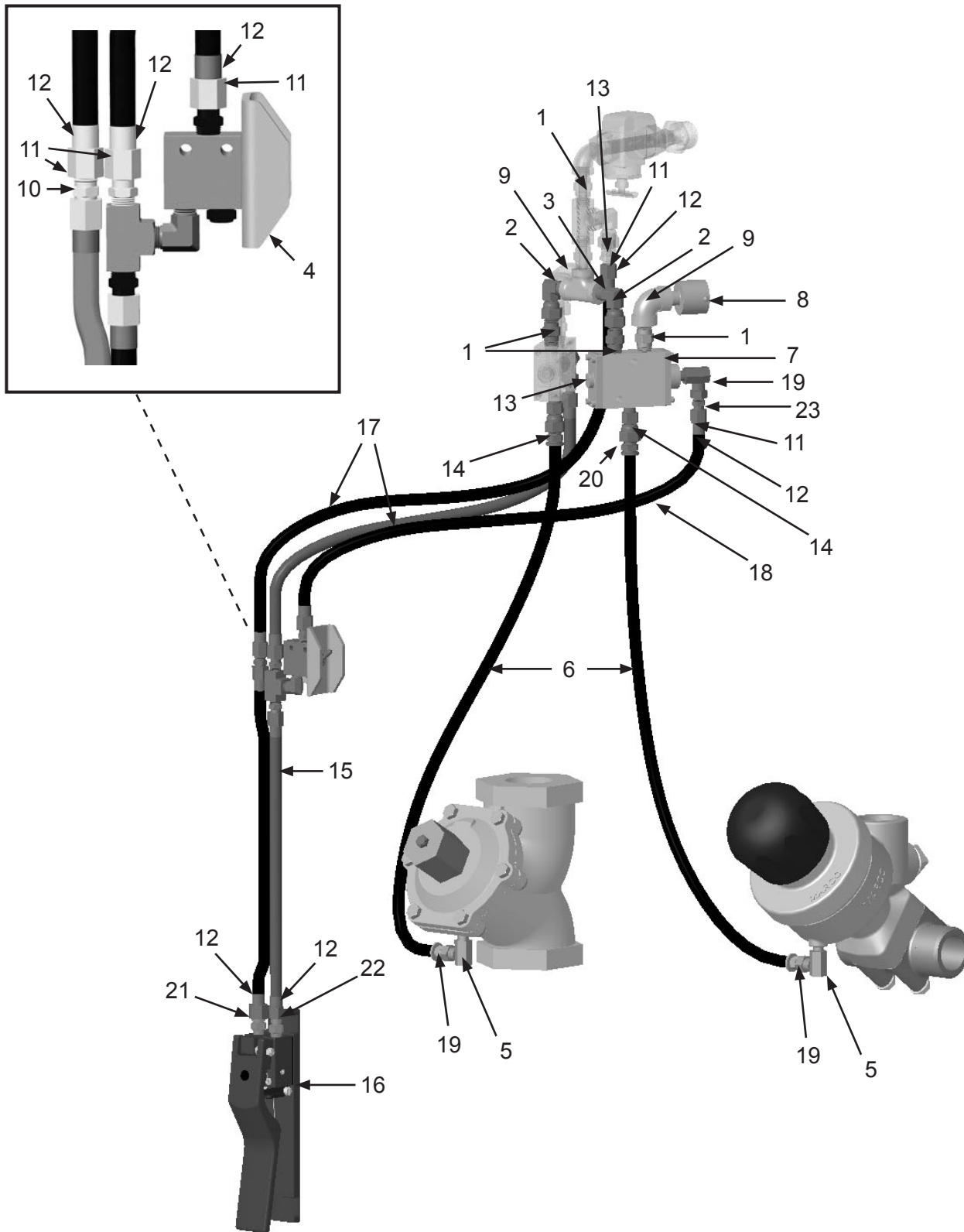
PART NUMBERS AND SCHEMATICS GUIDE

Marco® Abrasive Cut-Off System – Pneumatic – Bulk Pot Manifold – Parts Plus Kit

Item #	Part #	Description
Fig. 4		
—	10101364	Bulk Pot Abrasive Cut-Off Switch Control System – Pneumatic – Parts Plus Kit <i>(For systems with existing controls)</i>
1	1017019	1/4" x 1/4" NPT Hex Nipple <i>(Four Required)</i>
2	1012326	1/4" NPT 90° Swivel Fitting <i>(Three Required)</i>
3	1011844	1/4" NPT Pipe Tee
4	1012900	Pneumatic Abrasive Cut-Off Switch – Complete <i>(See Figure 5)</i>
5	1014239	1/8" NPT 90° Swivel Fitting
6	10AH025	1/4" Push-On Air Hose
7	1019000	Pneumatic Pilot Valve – Normally Closed <i>(See Figure 6)</i>
8	10DE025	1/4" Dust Eliminator
9	1011832	Galvanized 1/4" 90° Elbow <i>(Two Required)</i>
10	1017001	3/16" I.D. Hose Union
11	1017016	3/16" Female Nut & Barb <i>(Four Required)</i>
12	1017017	Twinline Hose Ferrule <i>(Six Required)</i>
13	10101140	1/4" NPT x 7/16-20 Tapered Adapter <i>(Three Required)</i>
14	10SME025	1/4" NPT x 1/4" (F) Straight <i>(Two Required)</i>
15	10TL3	Twinline Hose – 3 Feet
16	1015200	Marco® 152P Remote Control Switch
17	10109181	Twinline Hose – 50 Feet
18	10101764	Control Line ACS Pneumatic – 50 Feet
19	10PAF0125	1/8" Push-On Hose Fitting <i>(Four Required)</i>
20	10PAF025	1/4" Push-On Hose Fitting <i>(Two Required)</i>
21	1017013	1/4" Female Nut & Barb S/P
22	1017012	1/8" Female Nut & Barb S/P
23	1012903	7/16-20 45° x 1/8 NPT <i>(Two Required)</i>
—	1091045	Hazard Identification Tag
—	106M068	Part Numbers and Schematics Guide – Marco® 152P Remote Control Switch
—	106M090	Part Numbers and Schematics Guide – Marco® Abrasive Cut-Off System
—	1090068	Operator's Manual – Marco® 152P Remote Control Switch
—	1090090	Operator's Manual – Marco® Abrasive Cut-Off System

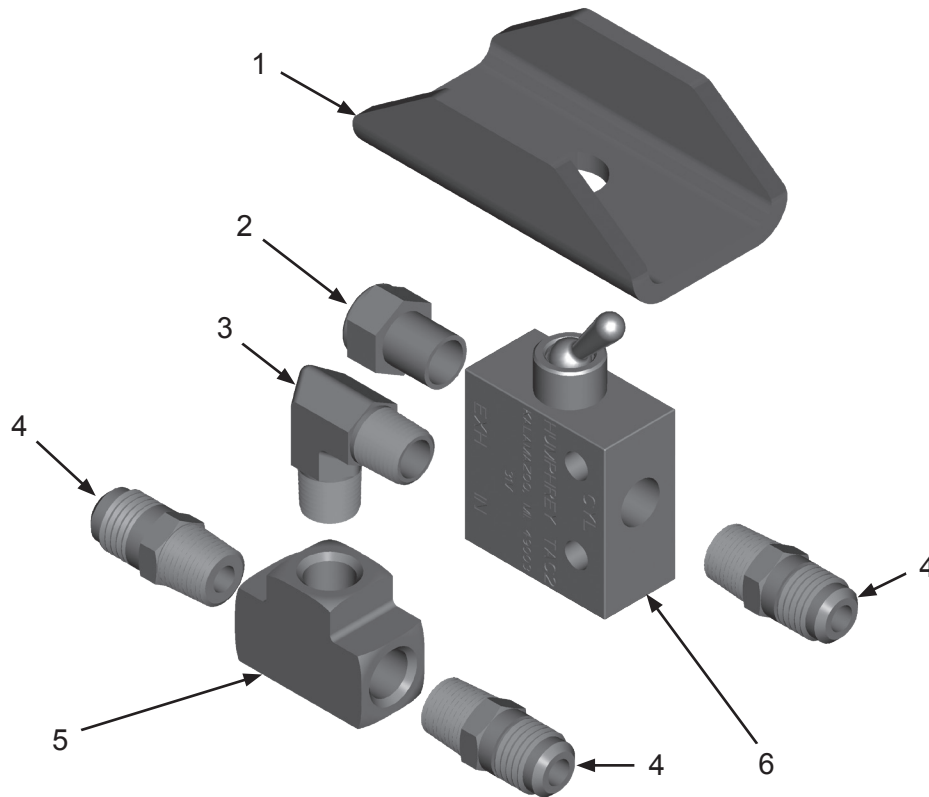
PART NUMBERS AND SCHEMATICS GUIDE

Figure 4: Marco® Abrasive Cut-Off System – Pneumatic – Bulk Pot Manifold – Parts Plus Kit



PART NUMBERS AND SCHEMATICS GUIDE

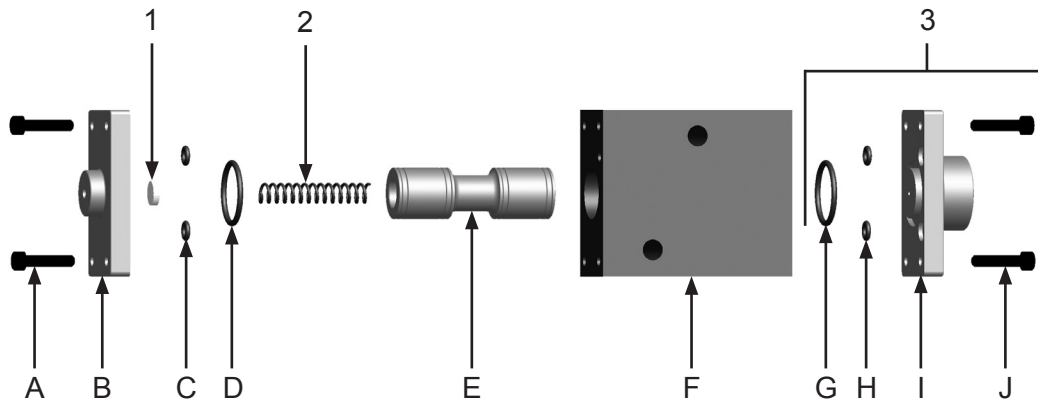
Figure 5: Pneumatic Abrasive Cut-Off Switch



Item #	Part #	Description
—	1012900	Pneumatic Abrasive Cut-Off Switch – Complete
1	1012909	Toggle Switch Guard
2	1012905	1/8" NPT Breather Muffler
3	1012904	1/8" 90° Brass Elbow
4	1012903	7/16" JIC x 1/8" NPT Brass Fitting (<i>Three Required</i>)
5	1012902	1/8" NPT Brass Tee
6	1012901	Pneumatic Toggle Switch

PART NUMBERS AND SCHEMATICS GUIDE

Figure 6: Pneumatic Control Valve



Item #	Part #	Description
--------	--------	-------------

Fig. 6

—	1019000	Pneumatic Control Valve – Complete
---	----------------	---

1	1019029	Felt Filter
---	---------	-------------




2	1019032	Spring
---	---------	--------



3	1019027	Pneumatic Pilot Valve Operator Assembly <i>(Includes G, H, I and J)</i>
---	---------	---

—	1019028	Service Kit for Pneumatic Pilot Valve <i>(Includes 1, 2, C, D, E, G and H)</i>
---	---------	--

**Items A through J are not available individually*







OPTIONAL ACCESSORIES

		PNEUMATIC CONTROL LINE				
		Hose Length	Working Pressure	Hose I.D.	Hose O.D.	Fittings
Part Numbers						
	10TL3	3 Feet	200 psi	3/16"	7/16"	(4) 1017016
	10TL5	5 Feet	200 psi	3/16"	7/16"	(4) 1017016
	10TL25	25 Feet	200 psi	3/16"	7/16"	(4) 1017016
	10TL50	50 Feet	200 psi	3/16"	7/16"	(4) 1017016
	10TL100	100 Feet	200 psi	3/16"	7/16"	(4) 1017016
	10TLBK	Per Feet	200 psi	3/16"	7/16"	None

		PNEUMATIC CONTROL LINE FITTINGS ACCESSORIES
		Description
Part Numbers		
	10DX855A	Ferrule Crimping Tool
	10DX1098	Oetiker® Clamp Tool

Oetiker® is a registered trademark of Dixon Valve & Coupling Co.

OPTIONAL ACCESSORIES

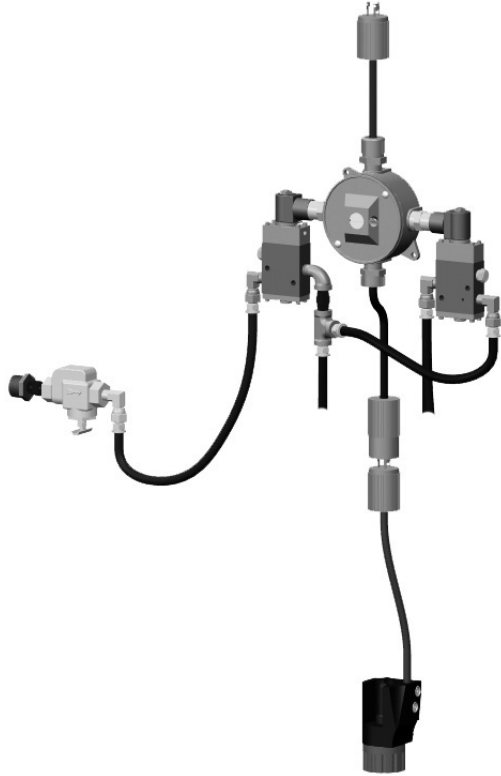
Part Numbers		PNEUMATIC CONTROL LINE FITTINGS
		Description
	1017016	3/16" Female Nut & Barb
	1017000	3/16" Female Reusable Hose End
	1017017	Pneumatic Control Line Hose Ferrule
	1017011	Pneumatic Control Line Oteiker Clamp
	1017001	3/16" Male x Male Hose Union
	1017010	Hose Splicer

PART NUMBERS AND SCHEMATICS GUIDE

MARCO® ABRASIVE CUT-OFF SYSTEM – ELECTRIC

Part Numbers	Marco® Remote Control Switch	Small Pot Manifold <i>(10 Cu. Ft. and smaller)</i>	Bulk Pot Manifold	Complete System	Parts Plus Kit <i>(For systems with existing controls)</i>	12-Volt DC Electric
10101380	151E	X		X		X
10101381	151E	X			X	X
10101361	151E		X	X		X
10101362	151E		X		X	X
10106860	157E	X		X		X
10106861	157E	X			X	X
10106858	157E		X	X		X
10106859	157E		X		X	X

PART NUMBERS AND SCHEMATICS GUIDE



(Electric System with 157E)



(Electric System with 151E)

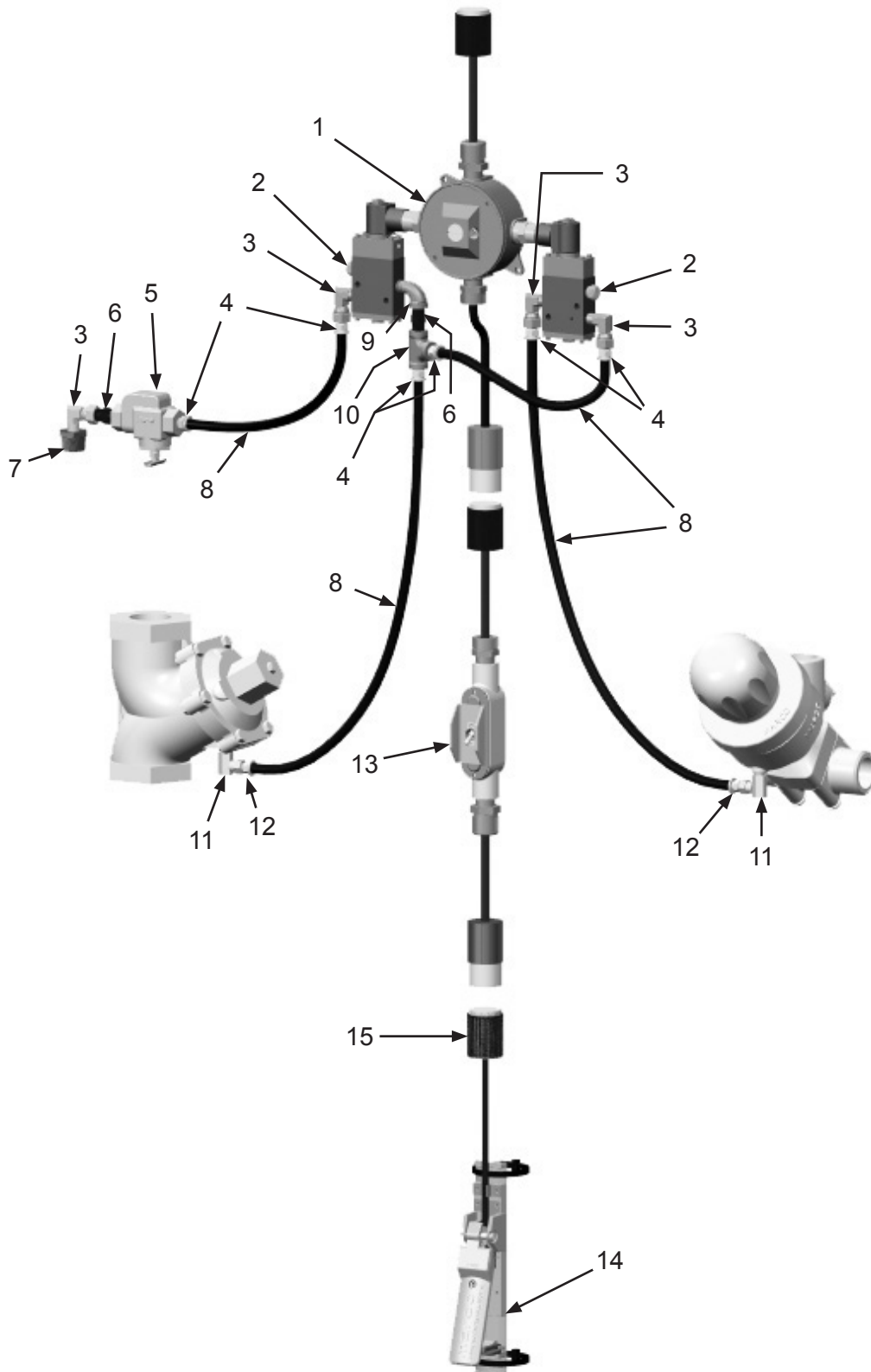
PART NUMBERS AND SCHEMATICS GUIDE

Marco® Abrasive Cut-Off System – Electric – Small Pot Manifold – 151E Switch – Complete

Item #	Part #	Description
Fig. 7		
—	10101380	Small Pot Abrasive Cut-Off Switch Control System – Electric – Complete
1	10101763	Control Box (<i>See Figure 17</i>)
2	1019024	1/4" NPT Breather Vent (<i>Two Required</i>)
3	1012326	1/4" NPT 90° Swivel Fitting (<i>Four Required</i>)
4	10PAF025	1/4" Push-On Hose Fitting (<i>Six Required</i>)
5	10WS	1/4" Watts Strainer
6	1017019	1/4" x 1/4" Hex Nipple
7	1011818	1/2" to 1/4" NPT Bushing
8	10AH025	1/4" Push-On Air Hose
9	1011824	1/4" NPT 90° Street Elbow
10	1011844	1/4" NPT Tee
11	1014239	1/8" NPT 90° Swivel Fitting (<i>Two Required</i>)
12	10PAF0125	1/8" Push-On Hose Fitting (<i>Two Required</i>)
13	10101753	Electric Abrasive Cut-Off Switch Assembly (<i>See Figure 15</i>)
14	1015100	Marco® 151E Remote Control Switch
15	1015551	2-Prong Twist-Lock Plug – Male
—	1015745	50 Feet of 16/3 SJ Power Cord with 3-Prong Twist Lock Plugs
—	1091045	Hazard Identification Tag
—	106M063	Part Numbers and Schematics Guide – Marco® 151E Remote Control Switch
—	106M090	Part Numbers and Schematics Guide – Marco® Abrasive Cut-Off System
—	1090063	Operator's Manual – Marco® 151E Remote Control Switch
—	1090090	Operator's Manual – Marco® Abrasive Cut-Off System

PART NUMBERS AND SCHEMATICS GUIDE

Figure 7: Marco® Abrasive Cut-Off System – Electric – Small Pot Manifold – 151E Switch – Complete



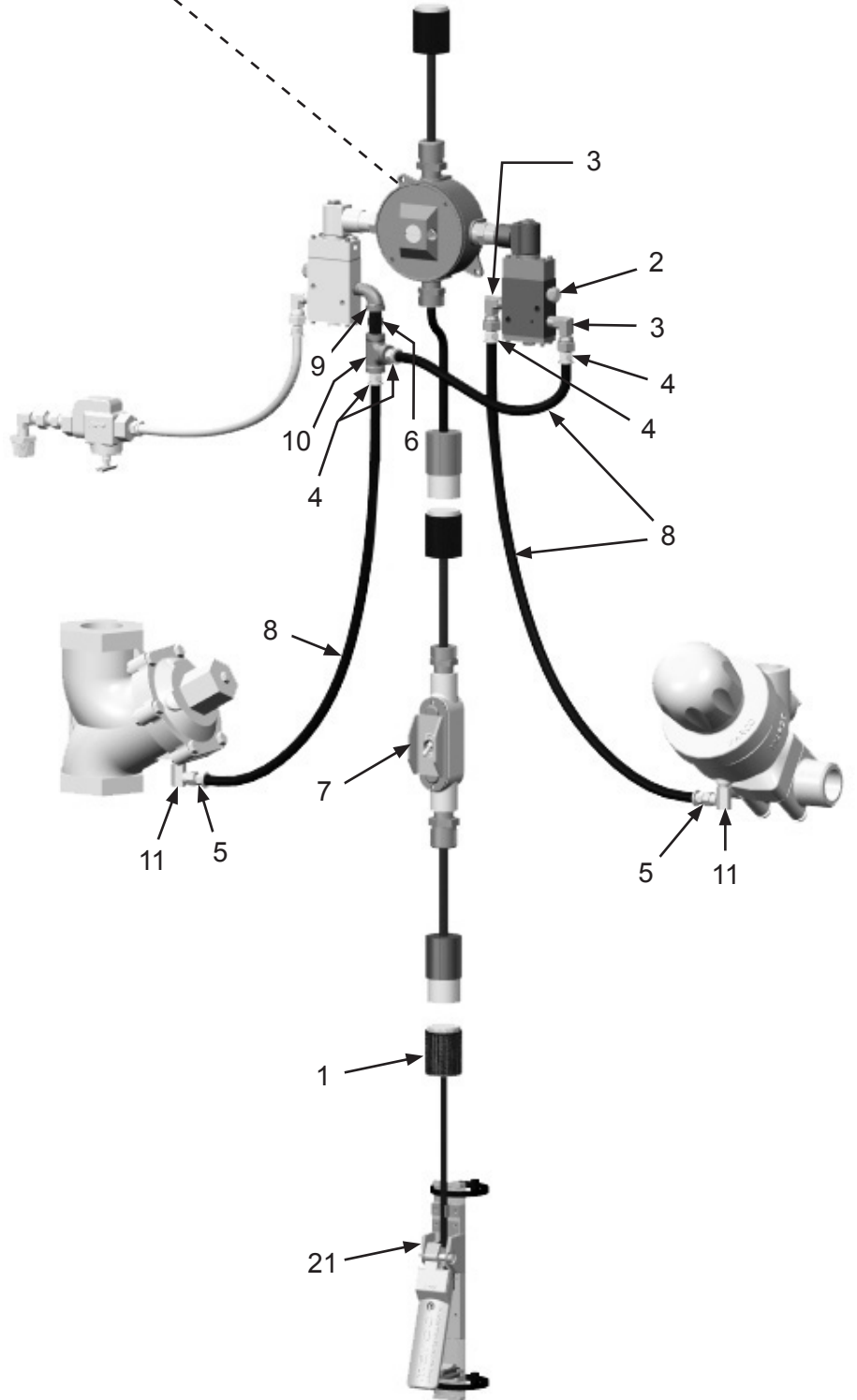
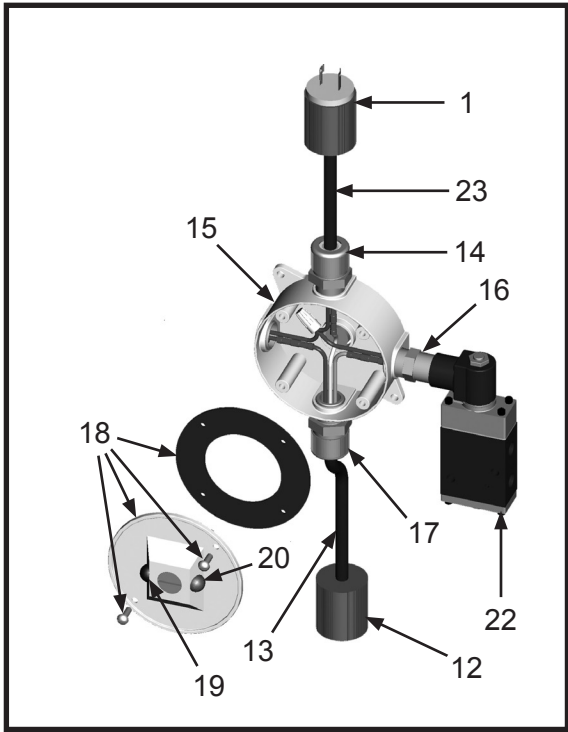
PART NUMBERS AND SCHEMATICS GUIDE

Marco® Abrasive Cut-Off System – Electric – Small Pot Manifold – 151E Switch – Parts Plus Kit

Item #	Part #	Description
Fig. 8		
—	10101381	Small Pot Abrasive Cut-Off Switch Control System – Electric – Parts Plus Kit <i>(For systems with existing controls)</i>
1	1015551	2-Prong Twist-Lock Plug – Male
2	1019024	1/4" NPT Breather Vent
3	1012326	1/4" NPT 90° Swivel Fitting <i>(Two Required)</i>
4	10PAF025	1/4" Push-On Hose Fitting <i>(Four Required)</i>
5	10PAF0125	1/8" Push-On Hose Fitting <i>(Two Required)</i>
6	1017019	1/4" x 1/4" NPT Hex Nipple <i>(Two Required)</i>
7	10101753	Electric Abrasive Cut-Off Switch Assembly <i>(See Figure 15)</i>
8	10AH025	1/4" Push-On Air Hose
9	1011824	1/4" NPT 90° Street Elbow
10	1011844	1/4" NPT Tee
11	1014239	1/8" NPT 90° Swivel Fitting <i>(Two Required)</i>
12	1015556	3-Prong Twist-Lock Plug – Female
13	1015701	16/3 Power Cord
14	1019021	Cord Grip – 1/2" NPT – .178–.312 Diameter
15	10100495	Conduit Box
16	20100677	Nipple 1/2" x 1/2" 6000 psi
17	1019048	Cord Grip – 1/2" NPT – .312–.437 Diameter
18	10100496	Conduit Box Cover with Gasket and Screws
19	10101354	Indicator Light – Blue
20	10101353	Indicator Light – Red
21	1015100	Marco® 151E Remote Control Switch
22	1019010	Electric Control Valve – 12-Volt DC <i>(See Figure 16)</i>
23	1015540	16/2 Xtreme-Duty® Electric Cord
—	1015745	50 Feet of 16/3 SJ Power Cord with 3-Prong Twist Lock Plugs
—	1091045	Hazard Identification Tag
—	106M063	Part Numbers and Schematics Guide – Marco® 151E Remote Control Switch
—	106M090	Part Numbers and Schematics Guide – Marco® Abrasive Cut-Off System
—	1090063	Operator's Manual – Marco® 151E Remote Control Switch
—	1090090	Operator's Manual – Marco® Abrasive Cut-Off System

PART NUMBERS AND SCHEMATICS GUIDE

Figure 8: Marco® Abrasive Cut-Off System – Electric – Small Pot Manifold – 151E Switch – Parts Plus Kit



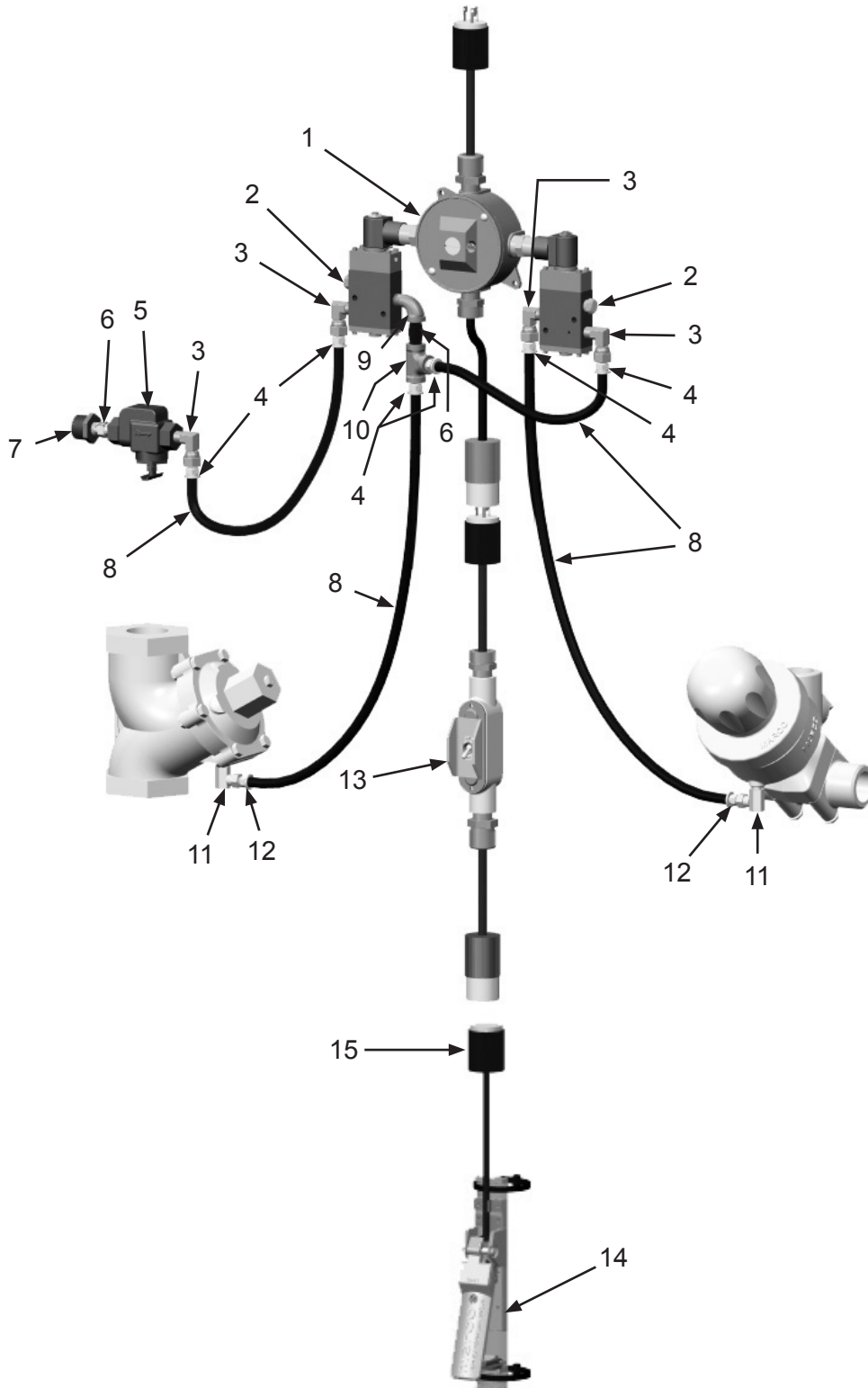
PART NUMBERS AND SCHEMATICS GUIDE

Marco® Abrasive Cut-Off System – Electric – Bulk Pot Manifold – 151E Switch – Complete

Item #	Part #	Description
Fig. 9		
—	10101361	Bulk Pot Abrasive Cut-Off Switch Control System – Electric – Complete
1	10101763	Control Box <i>(See Figure 17)</i>
2	1019024	1/4" NPT Breather Vent <i>(Two Required)</i>
3	1012326	1/4" NPT 90° Swivel Fitting <i>(Four Required)</i>
4	10PAF025	1/4" Push-On Hose Fitting <i>(Six Required)</i>
5	10WS	1/4" Watts Strainer
6	1017019	1/4" x 1/4" Hex Nipple
7	1011818	1/2" to 1/4" NPT Bushing
8	10AH025	1/4" Push-On Air Hose
9	1011824	1/4" NPT 90° Street Elbow
10	1011844	1/4" NPT Tee
11	1014239	1/8" NPT 90° Swivel Fitting <i>(Two Required)</i>
12	10PAF0125	1/8" Push-On Hose Fitting <i>(Two Required)</i>
13	10101753	Electric Abrasive Cut-Off Switch Assembly <i>(See Figure 14)</i>
14	1015100	Marco® 151E Remote Control Switch
15	1015551	2-Prong Twist-Lock Plug – Male
—	1015747	110 Feet of 16/3 Power Cord with Male and Female Twist Lock Plugs
—	1091045	Hazard Identification Tag
—	10101371	Abrasive Cut-Off System Bulk Pot Bracket <i>(Optional) (See Figure 18)</i>
—	106M063	Part Numbers and Schematics Guide – Marco® 151E Remote Control Switch
—	106M090	Part Numbers and Schematics Guide – Marco® Abrasive Cut-Off System
—	1090063	Operator's Manual – Marco® 151E Remote Control Switch
—	1090090	Operator's Manual – Marco® Abrasive Cut-Off System

PART NUMBERS AND SCHEMATICS GUIDE

Figure 9: Marco® Abrasive Cut-Off System – Electric – Bulk Pot Manifold – 151E Switch – Complete



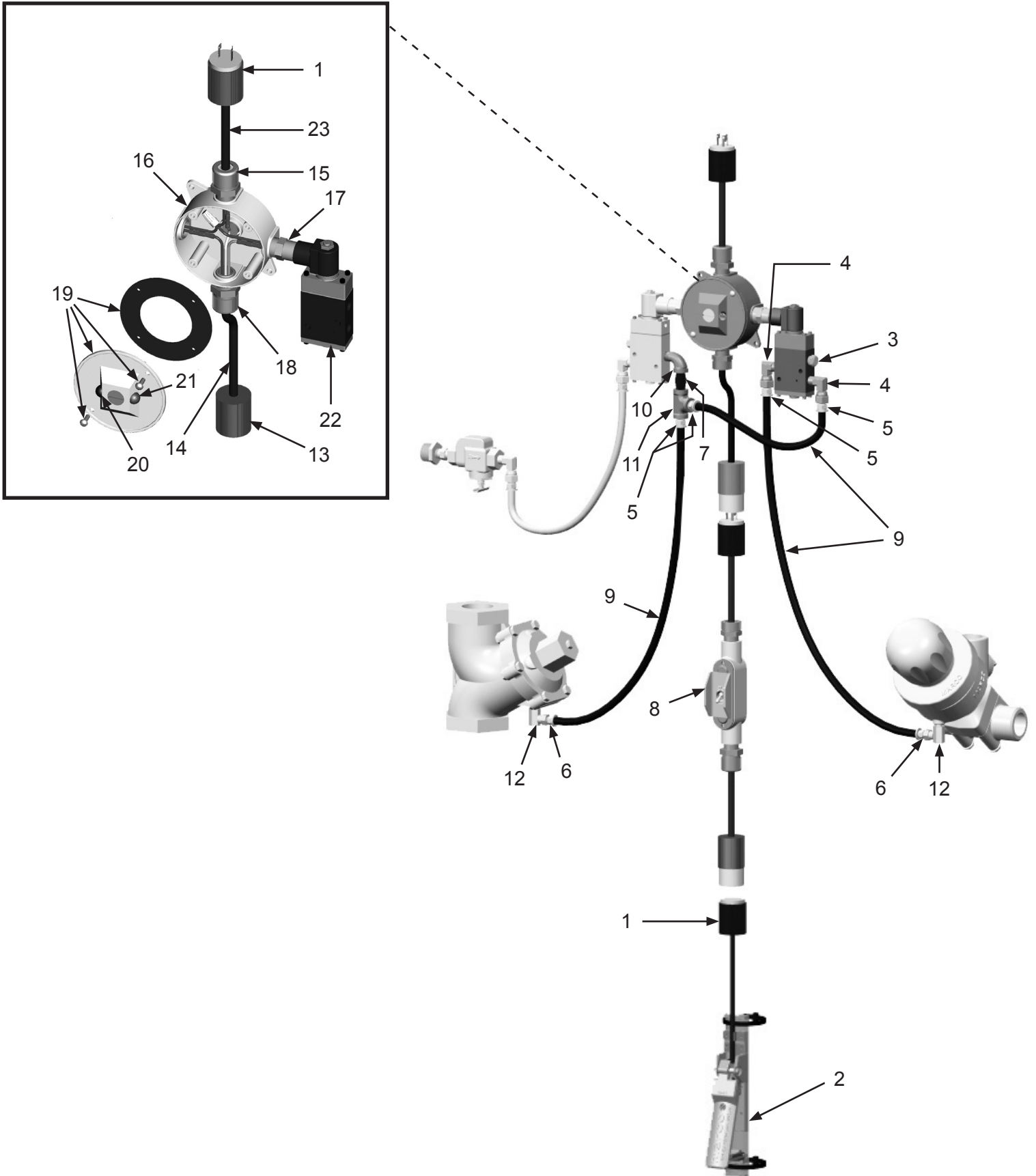
PART NUMBERS AND SCHEMATICS GUIDE

Marco® Abrasive Cut-Off System – Electric – Bulk Pot Manifold – 151E Switch – Parts Plus Kit

Item #	Part #	Description
Fig. 10		
—	10101362	Bulk Pot Abrasive Cut-Off Switch Control System – Electric – Parts Plus Kit <i>(For systems with existing controls)</i>
1	1015551	2-Prong Twist-Lock Plug – Male
2	1015100	Marco® 151E Remote Control Switch
3	1019024	1/4" NPT Breather Vent
4	1012326	1/4" NPT 90° Swivel Fitting <i>(Two Required)</i>
5	10PAF025	1/4" Push-On Hose Fitting <i>(Four Required)</i>
6	10PAF0125	1/8" Push-On Hose Fitting <i>(Two Required)</i>
7	1017019	1/4" x 1/4" NPT Hex Nipple
8	10101753	Electric Abrasive Cut-Off Switch Assembly <i>(See Figure 15)</i>
9	10AH025	1/4" Push-On Air Hose
10	1011824	1/4" NPT 90° Street Elbow
11	1011844	1/4" NPT Tee
12	1014239	1/8" NPT 90° Swivel Fitting <i>(Two Required)</i>
13	1015556	3-Prong Twist-Lock Plug – Female
14	1015701	16/3 Power Cord
15	1019021	Cord Grip – 1/2" NPT – .178–.312 Diameter
16	10100495	Conduit Box
17	20100677	Nipple 1/2" x 1/2" 6000 psi
18	1019048	Cord Grip – 1/2" NPT – .312–.437 Diameter
19	10100496	Conduit Box Cover with Gasket and Screws
20	10101354	Indicator Light – Blue
21	10101353	Indicator Light – Red
22	1019010	Electric Control Valve – 12-Volt DC <i>(See Figure 16)</i>
23	1015540	16/2 Xtreme-Duty® Electric Cord
—	1015747	110 Feet of 16/3 Power Cord with Male and Female Twist Lock Plugs
—	1091045	Hazard Identification Tag
—	10101371	Abrasive Cut-Off System Bulk Pot Bracket <i>(Optional)</i> <i>(See Figure 18)</i>
—	106M063	Part Numbers and Schematics Guide – Marco® 151E Remote Control Switch
—	106M090	Part Numbers and Schematics Guide – Marco® Abrasive Cut-Off System
—	1090063	Operator's Manual – Marco® 151E Remote Control Switch
—	1090090	Operator's Manual – Marco® Abrasive Cut-Off System

PART NUMBERS AND SCHEMATICS GUIDE

Figure 10: Marco® Abrasive Cut-Off System – Electric – Bulk Pot Manifold – 151E Switch – Parts Plus Kit



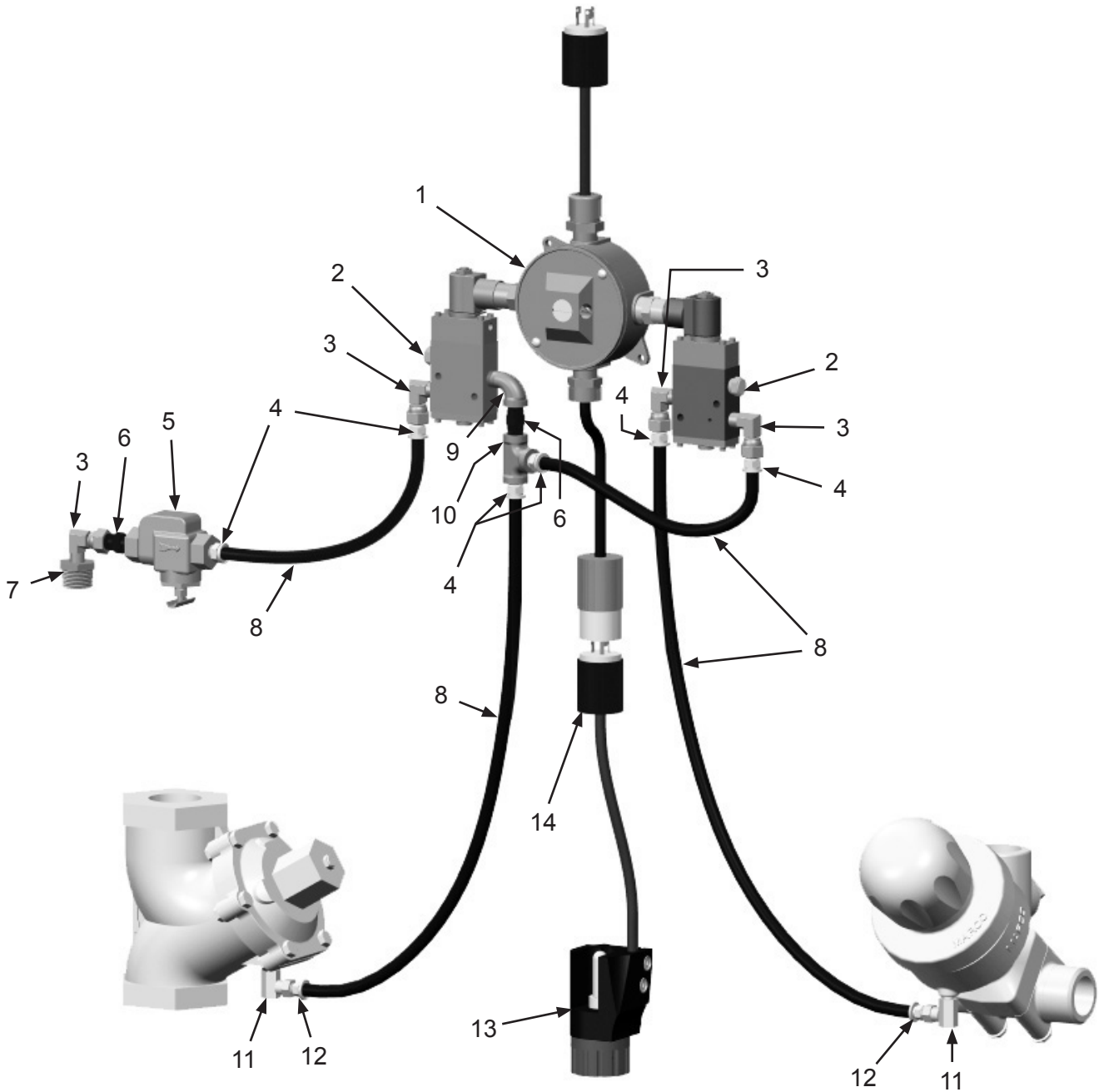
PART NUMBERS AND SCHEMATICS GUIDE

Marco® Abrasive Cut-Off System – Electric – Small Pot Manifold – 157E Switch – Complete

Item #	Part #	Description
Fig. 11		
—	10106860	Small Pot Abrasive Cut-Off Switch Control System – Electric – Complete
1	10101763	Control Box (<i>See Figure 17</i>)
2	1019024	1/4" NPT Breather Vent (<i>Two Required</i>)
3	1012326	1/4" NPT 90° Swivel Fitting (<i>Four Required</i>)
4	10PAF025	1/4" Push-On Hose Fitting (<i>Six Required</i>)
5	10WS	1/4" Watts Strainer
6	1017019	1/4" x 1/4" Hex Nipple
7	10100524	3/4" x 1/4" Bushing – Galvanized
8	10AH025	1/4" Push-On Air Hose
9	1011824	1/4" NPT 90° Street Elbow
10	1011844	1/4" NPT Tee
11	1014239	1/8" NPT 90° Swivel Fitting (<i>Two Required</i>)
12	10PAF0125	1/8" Push-On Hose Fitting (<i>Two Required</i>)
13	1015700	Marco® 157E Remote Control Switch
14	1015555	3-Prong Twist-Lock Plug – Male
—	1015745	50 Feet of 16/3 SJ Power Cord with 3-Prong Twist Lock Plugs
—	1091045	Hazard Identification Tag
—	106M090	Part Numbers and Schematics Guide – Marco® Abrasive Cut-Off System
—	106M140	Part Numbers and Schematics Guide – Marco® 157E Remote Control Switch
—	1090090	Operator's Manual – Marco® Abrasive Cut-Off System
—	1090140	Operator's Manual – Marco® 157E Remote Control Switch

PART NUMBERS AND SCHEMATICS GUIDE

Figure 11: Marco® Abrasive Cut-Off System – Electric – Small Pot Manifold – 157E Switch – Complete



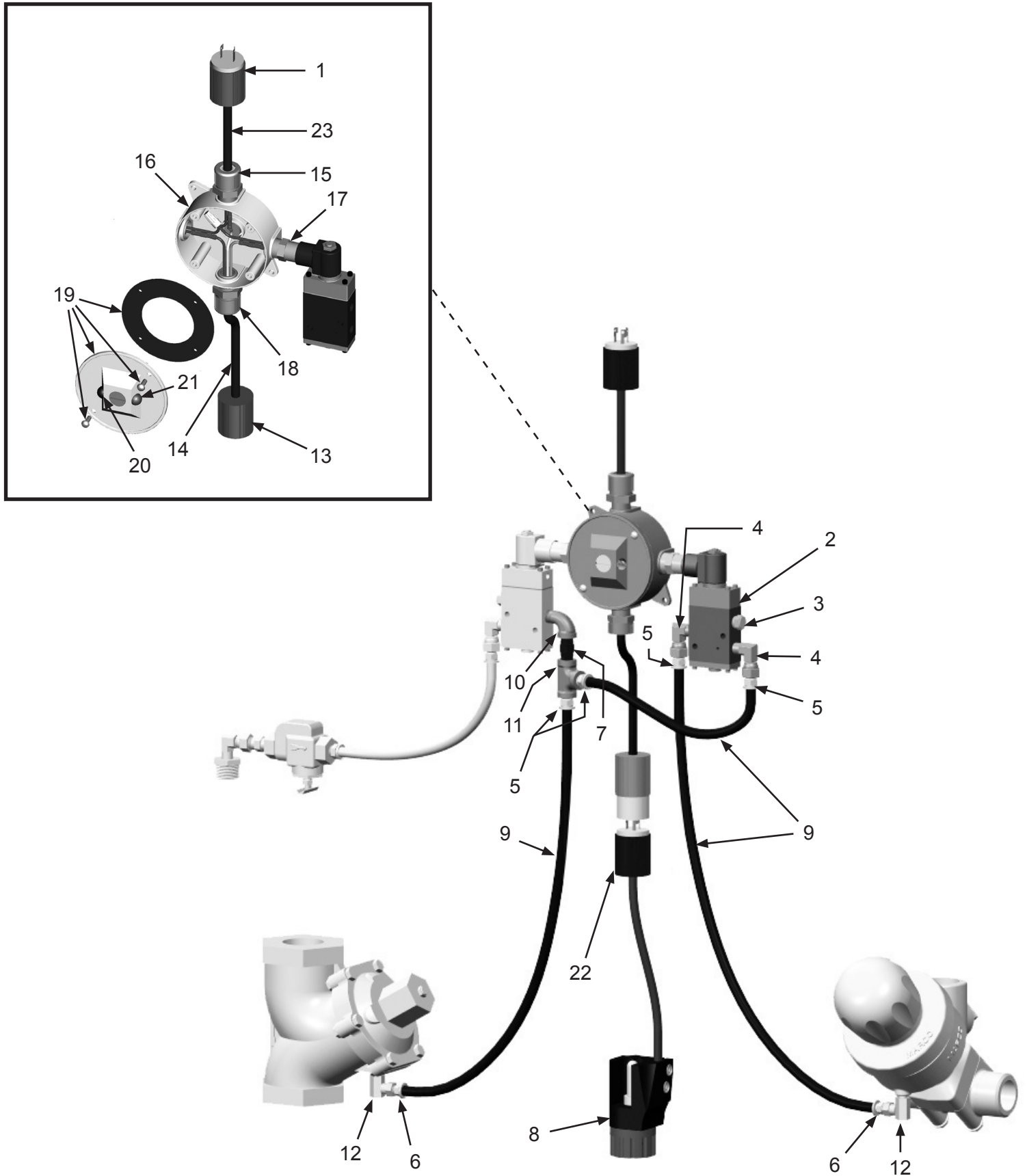
PART NUMBERS AND SCHEMATICS GUIDE

Marco® Abrasive Cut-Off System – Electric – Small Pot Manifold – 157E Switch – Parts Plus Kit

Item #	Part #	Description
Fig. 12		
—	10106861	Small Pot Abrasive Cut-Off Switch Control System – Electric – Parts Plus Kit <i>(For systems with existing control valve, Watts strainer, and attaching components)</i>
1	1015551	2-Prong Twist-Lock Plug – Male
2	1019010	Electric Control Valve – 12-Volt DC <i>(See Figure 16)</i>
3	1019024	1/4" NPT Breather Vent <i>(Two Required)</i>
4	1012326	1/4" NPT 90° Swivel Fitting <i>(Two Required)</i>
5	10PAF025	1/4" Push-On Hose Fitting <i>(Four Required)</i>
6	10PAF0125	1/8" Push-On Hose Fitting <i>(Two Required)</i>
7	1017019	1/4" x 1/4" NPT Hex Nipple
8	1015700	Marco® 157E Remote Control Switch
9	10AH025	1/4" Push-On Air Hose
10	1011824	1/4" NPT 90° Street Elbow
11	1011844	1/4" NPT Tee
12	1014239	1/8" NPT 90° Swivel Fitting <i>(Two Required)</i>
13	1015556	3-Prong Twist-Lock Plug – Female
14	1015701	16/3 Power Cord
15	1019021	Cord Grip – 1/2" NPT – .178–.312 Diameter
16	10100495	Conduit Box
17	20100677	Nipple 1/2" x 1/2" 6000 psi
18	1019048	Cord Grip – 1/2" NPT – .312–.437 Diameter
19	10100496	Conduit Box Cover with Gasket and Screws
20	10101354	Indicator Light – Blue
21	10101353	Indicator Light – Red
22	1015555	3-Prong Twist-Lock Plug – Male
23	1015540	16/2 Xtreme-Duty® Electric Cord
—	1015745	50 Feet of 16/3 SJ Power Cord with 3-Prong Twist Lock Plugs
—	1091045	Hazard Identification Tag
—	106M090	Part Numbers and Schematics Guide – Marco® Abrasive Cut-Off System
—	106M140	Part Numbers and Schematics Guide – Marco® 157E Remote Control Switch
—	1090090	Operator's Manual – Marco® Abrasive Cut-Off System
—	1090140	Operator's Manual – Marco® 157E Remote Control Switch

PART NUMBERS AND SCHEMATICS GUIDE

Figure 12: Marco® Abrasive Cut-Off System – Electric – Small Pot Manifold – 157E Switch – Parts Plus Kit



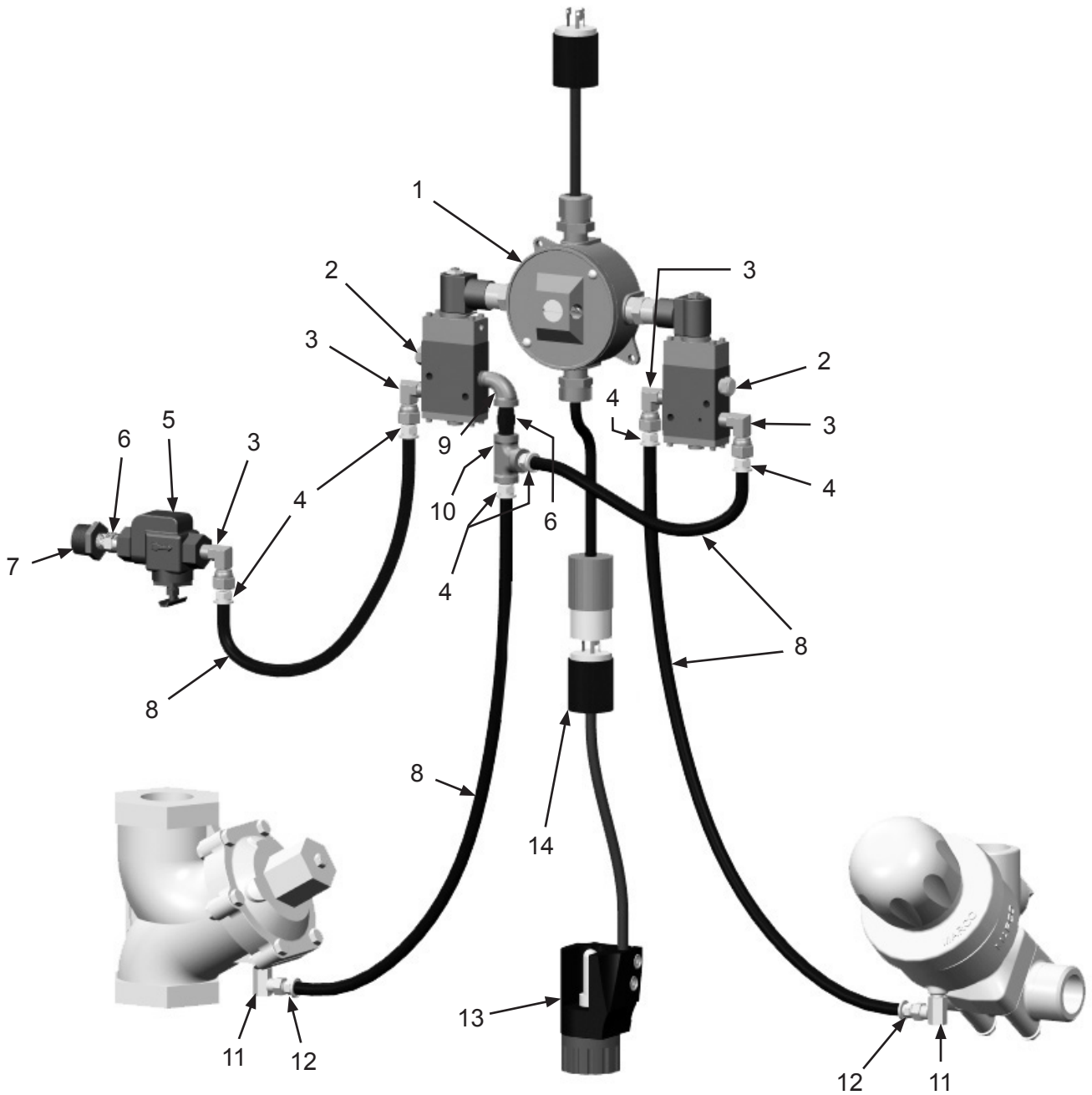
PART NUMBERS AND SCHEMATICS GUIDE

Marco® Abrasive Cut-Off System – Electric – Bulk Pot Manifold – 157E Switch – Complete

Item #	Part #	Description
Fig. 13		
—	10106858	Bulk Pot Abrasive Cut-Off Switch Control System – Electric – Complete
1	10101763	Control Box <i>(See Figure 17)</i>
2	1019024	1/4" NPT Breather Vent <i>(Two Required)</i>
3	1012326	1/4" NPT 90° Swivel Fitting <i>(Four Required)</i>
4	10PAF025	1/4" Push-On Hose Fitting <i>(Six Required)</i>
5	10WS	1/4" Watts Strainer
6	10100523	1/4" x 1/4" Stainless Steel Hex Nipple
7	1011818	1/2" to 1/4" NPT Bushing
8	10AH025	1/4" Push-On Air Hose
9	1011824	1/4" NPT 90° Street Elbow
10	1011844	1/4" NPT Tee
11	1014239	1/8" NPT 90° Swivel Fitting <i>(Two Required)</i>
12	10PAF0125	1/8" Push-On Hose Fitting <i>(Two Required)</i>
13	1015700	Marco® 157E Remote Control Switch
14	1015555	3-Prong Twist-Lock Plug – Male
—	1015747	110 Feet of 16/3 Power Cord with Male and Female Twist Lock Plugs
—	1091045	Hazard Identification Tag
—	10101371	Abrasive Cut-Off System Bulk Pot Bracket <i>(Optional) (See Figure 18)</i>
—	106M090	Part Numbers and Schematics Guide – Marco® Abrasive Cut-Off System
—	106M140	Part Numbers and Schematics Guide – Marco® 157E Remote Control Switch
—	1090090	Operator's Manual – Marco® Abrasive Cut-Off System
—	1090140	Operator's Manual – Marco® 157E Remote Control Switch

PART NUMBERS AND SCHEMATICS GUIDE

Figure 13: Marco® Abrasive Cut-Off System – Electric – Bulk Pot Manifold – 157E Switch – Complete



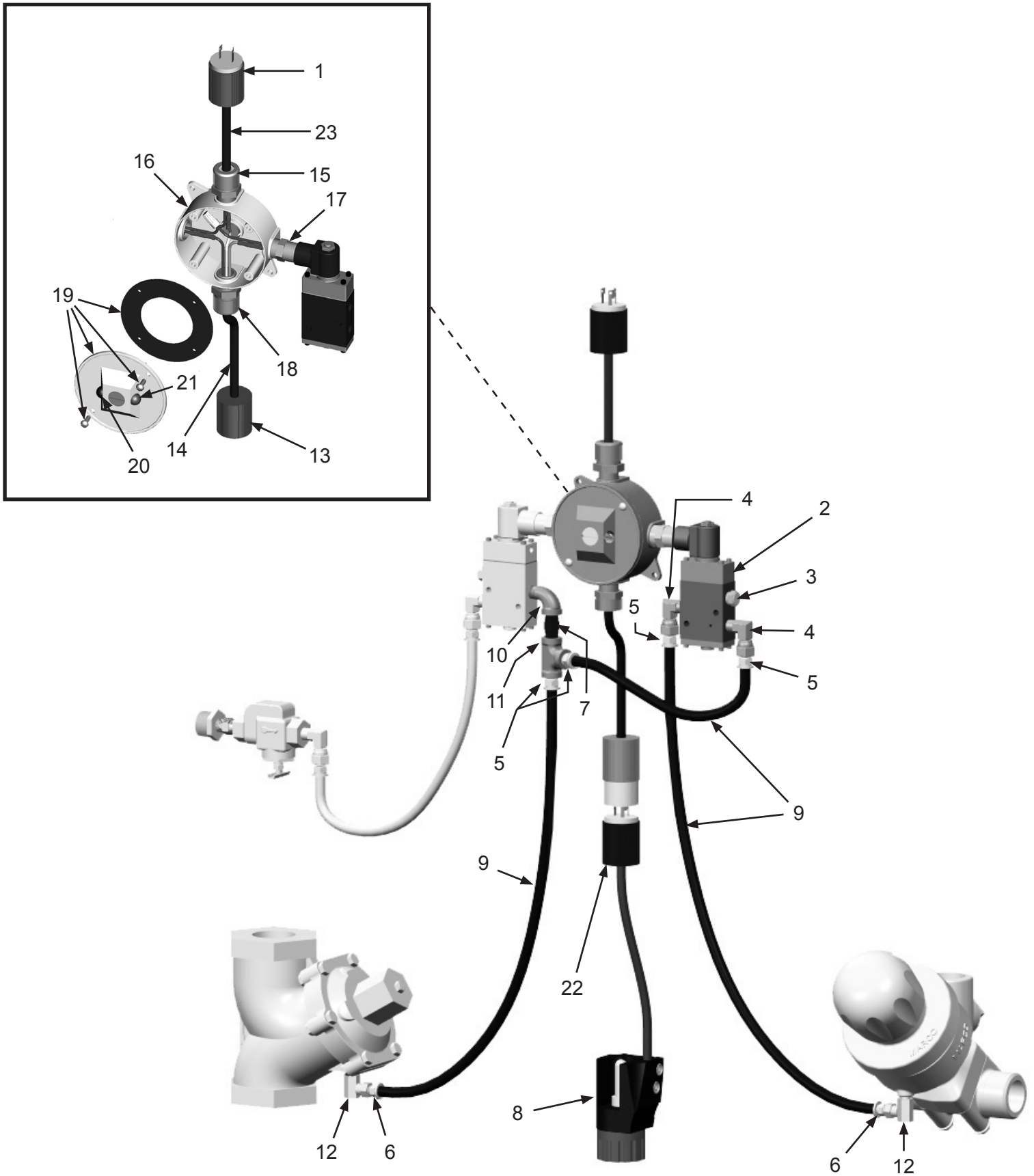
PART NUMBERS AND SCHEMATICS GUIDE

Marco® Abrasive Cut-Off System – Electric – Bulk Pot Manifold – 157E Switch – Parts Plus Kit

Item #	Part #	Description
Fig. 14		
—	10106859	Bulk Pot Abrasive Cut-Off Switch Control System – Electric – Parts Plus Kit <i>(For systems with existing control valve, Watts strainer, and attaching components)</i>
1	1015551	2-Prong Twist-Lock Plug – Male
2	1019010	Electric Control Valve – 12-Volt DC <i>(See Figure 16)</i>
3	1019024	1/4" NPT Breather Vent <i>(Two Required)</i>
4	1012326	1/4" NPT 90° Swivel Fitting <i>(Two Required)</i>
5	10PAF025	1/4" Push-On Hose Fitting <i>(Four Required)</i>
6	10PAF0125	1/8" Push-On Hose Fitting <i>(Two Required)</i>
7	1017019	1/4" x 1/4" NPT Hex Nipple
8	1015700	Marco® 157E Remote Control Switch
9	10AH025	1/4" Push-On Air Hose
10	1011824	1/4" NPT 90° Street Elbow
11	1011844	1/4" NPT Tee
12	1014239	1/8" NPT 90° Swivel Fitting <i>(Two Required)</i>
13	1015556	3-Prong Twist-Lock Plug – Female
14	1015701	16/3 Power Cord
15	1019021	Cord Grip – 1/2" NPT – .178–.312 Diameter
16	10100495	Conduit Box
17	20100677	Nipple 1/2" x 1/2" 6000 psi
18	1019048	Cord Grip – 1/2" NPT – .312–.437 Diameter
19	10100496	Conduit Box Cover with Gasket and Screws
20	10101354	Indicator Light – Blue
21	10101353	Indicator Light – Red
22	1015555	3-Prong Twist-Lock Plug – Male
23	1015540	16/2 Xtreme-Duty® Electric Cord
—	1015747	110 Feet of 16/3 Power Cord with Male and Female Twist Lock Plugs
—	1091045	Hazard Identification Tag
—	10101371	Abrasive Cut-Off System Bulk Pot Bracket <i>(Optional)</i> <i>(See Figure 18)</i>
—	106M090	Part Numbers and Schematics Guide – Marco® Abrasive Cut-Off System
—	106M140	Part Numbers and Schematics Guide – Marco® 157E Remote Control Switch
—	1090090	Operator's Manual – Marco® Abrasive Cut-Off System
—	1090140	Operator's Manual – Marco® 157E Remote Control Switch

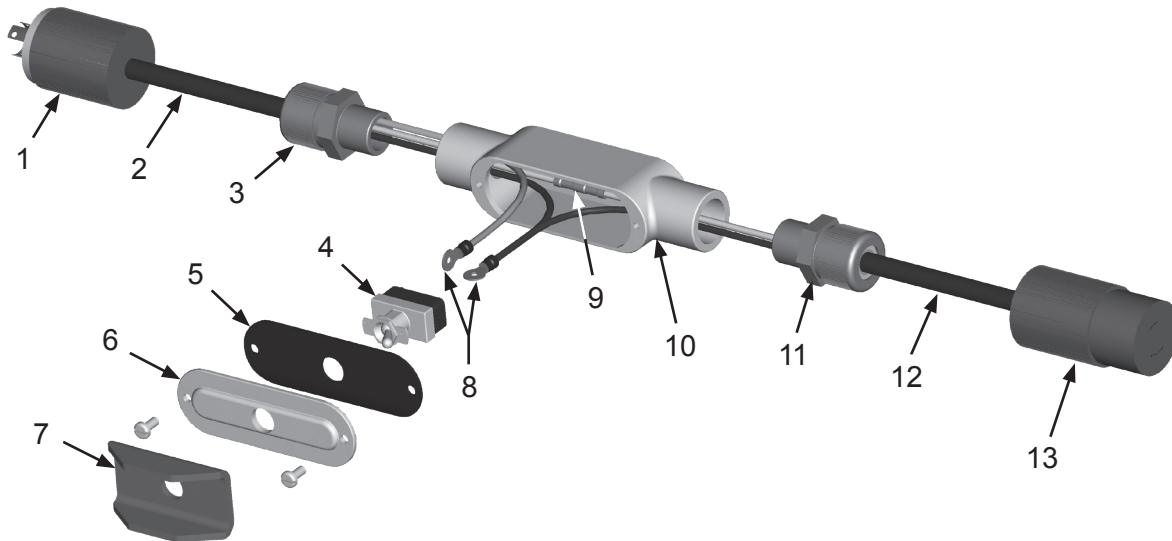
PART NUMBERS AND SCHEMATICS GUIDE

Figure 14: Marco® Abrasive Cut-Off System – Electric – Bulk Pot Manifold – 157E Switch – Parts Plus Kit



PART NUMBERS AND SCHEMATICS GUIDE

Figure 15: Electric Abrasive Cut-Off Switch



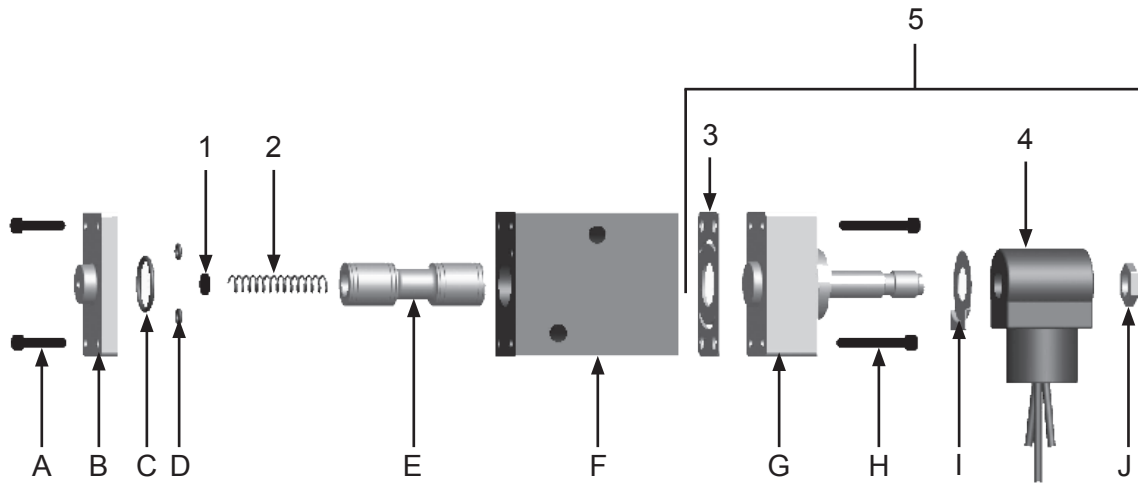
Item #	Part #	Description
--------	--------	-------------

Fig. 15

—	10101753	Electric Abrasive Cut-Off Switch – Complete
1	1015555	3-Prong Twist-Lock Plug – Male
2	1015701	16/3 Power Cord (<i>Two Feet</i>)
3	1019048	Cord Grip – 1/2" NPT – .312–.437 Diameter
4	1019026	Abrasive Cut-Off System Toggle Switch
5	1019023	Conduit Cover Gasket
6	1019022	Conduit Box Cover Plate – Blank
7	1012909	Toggle Switch Guard
8	10101741	16/14 GA Ring Terminal – #6 Hole – Insulated
9	1030028	16 Gauge Crimp Style Butt Connector
10	1019025	1/2" NPT Straight Conduit Box
11	1019021	Cord Grip – 1/2" NPT – .178–.312 Diameter
12	1015540	16/2 Xtreme-Duty® Electric Cord (<i>Two Feet</i>)
13	1015552	2-Prong Twist-Lock Plug – Female

PART NUMBERS AND SCHEMATICS GUIDE

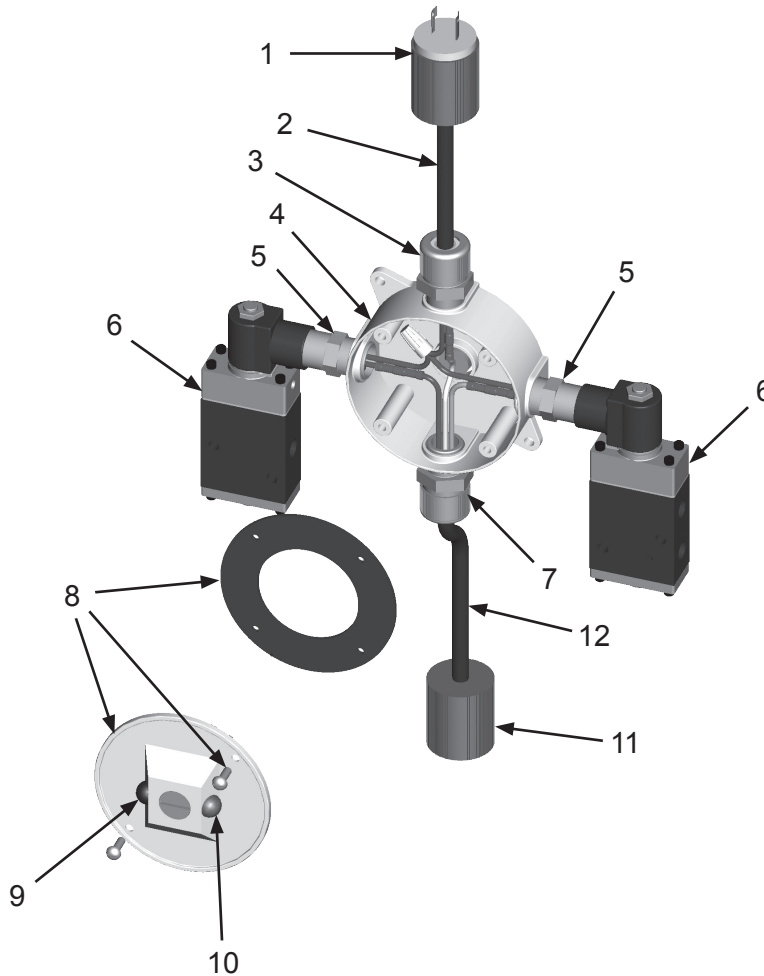
Figure 16: 12-Volt DC Electric Control Valve



Item #	Part #	Description
Fig. 16		
—	1019010	12-Volt DC Electric Control Valve – Complete
1	1019029	Felt Filter
2	1019032	Spring
3	1019033	Gasket
4	1019039	12-Volt DC Coil
5	1019034	Solenoid Pilot Assembly 12-Volt DC <i>(Includes Items #3, #4, G, H, I, and J)</i>
<i>*Items A through J are not available individually</i>		

PART NUMBERS AND SCHEMATICS GUIDE

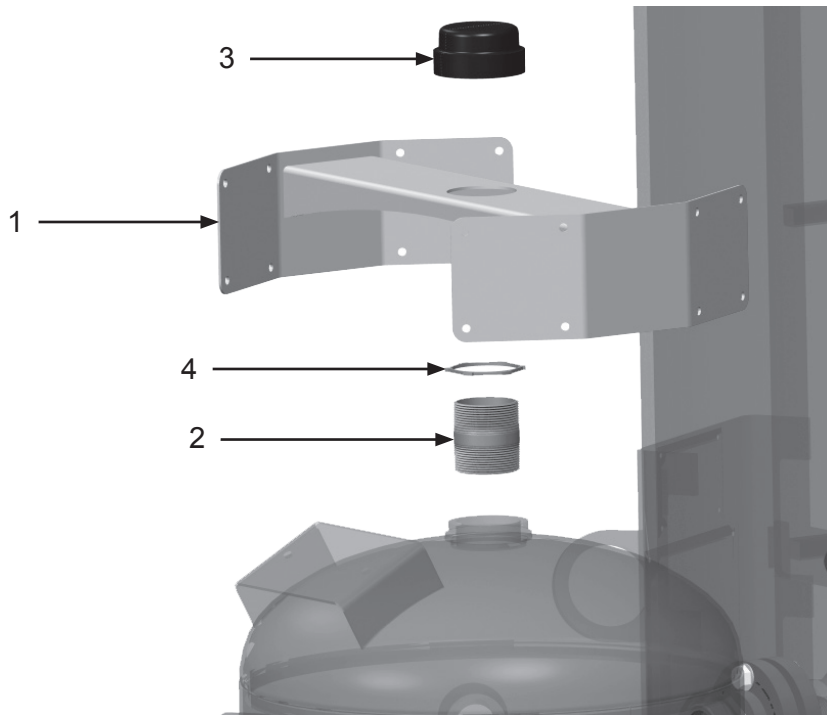
Figure 17: Abrasive Cut-Off Switch Control Box



Item #	Part #	Description
Fig. 17		
—	10101763	Control Box 12-Volt DC – Complete
1	1015551	2-Prong Twist-Lock Plug – Male
2	1015540	16/2 Xtreme-Duty® Electric Cord
3	1019021	Cord Grip – 1/2" NPT – .178–.312 Diameter
4	10100495	Conduit Box
5	20100677	Nipple 1/2" x 1/2" 6000 psi
6	1019010	Electric Control Valve – 12-Volt DC
7	1019048	Cord Grip – 1/2" NPT – .312–.437 Diameter
8	10100496	Conduit Box Cover with Gasket and Screws
9	10101354	Indicator Light – Blue
10	10101353	Indicator Light – Red
11	1015556	3-Prong Twist-Lock Plug – Female
12	1015701	16/3 Power Cord
—	10101355	10-24 x 3/4" Screw
—	10101356	10-24 Nylon Lock Nut

PART NUMBERS AND SCHEMATICS GUIDE

Figure 18: Abrasive Cut-Off System Bulk Pot Bracket



Item #	Part #	Description
Fig. 18		
—	10101371	Abrasive Cut-Off System Bulk Pot Bracket – Electric – Complete
1	10101319	Attachment Bracket Weldment
2	1001806	2" Close Nipple – Galvanized
3	1011846	2" Pipe Cap
4	10110290	2" NPSM Conduit Locknut

OPTIONAL ACCESSORIES



Part Numbers

ELECTRIC CORD						
Gauge	# of Wires	Color	Type	Cover Material	U.O.M.	
1015701	16	3	Black		Thermoplastic Elastomer	Per Foot
1015550	14	3	Black	SEOOW	Thermoplastic Elastomer	Per Foot
1015571	12	3	Black	SJEOOW	Thermoplastic Elastomer	Per Foot
1015581	10	3	Black	SEOOW	Thermoplastic Elastomer	Per Foot
1015591	8	3	Black	SEOOW	Thermoplastic Elastomer	Per Foot
1015595	6	3	Black	SEOOW	Thermoplastic Elastomer	Per Foot







Part Numbers

ELECTRIC CONTROL LINE WITH 3-PRONG PLUGS								
Gauge	# of Wires	Color	Type	Cover Material	3-Prong Male Twist-Lock Plug	3-Prong Female Twist-Lock Plug	U.O.M.	
1015748	16	3	Black	SJEOW	Thermoplastic Elastomer	1015555	1015556	13 Ft.
1015745	16	3	Black	SJEOW	Thermoplastic Elastomer	1015555	1015556	50 Ft.
1015747	16	3	Black	SJEOW	Thermoplastic Elastomer	1015555	1015556	110 Ft.

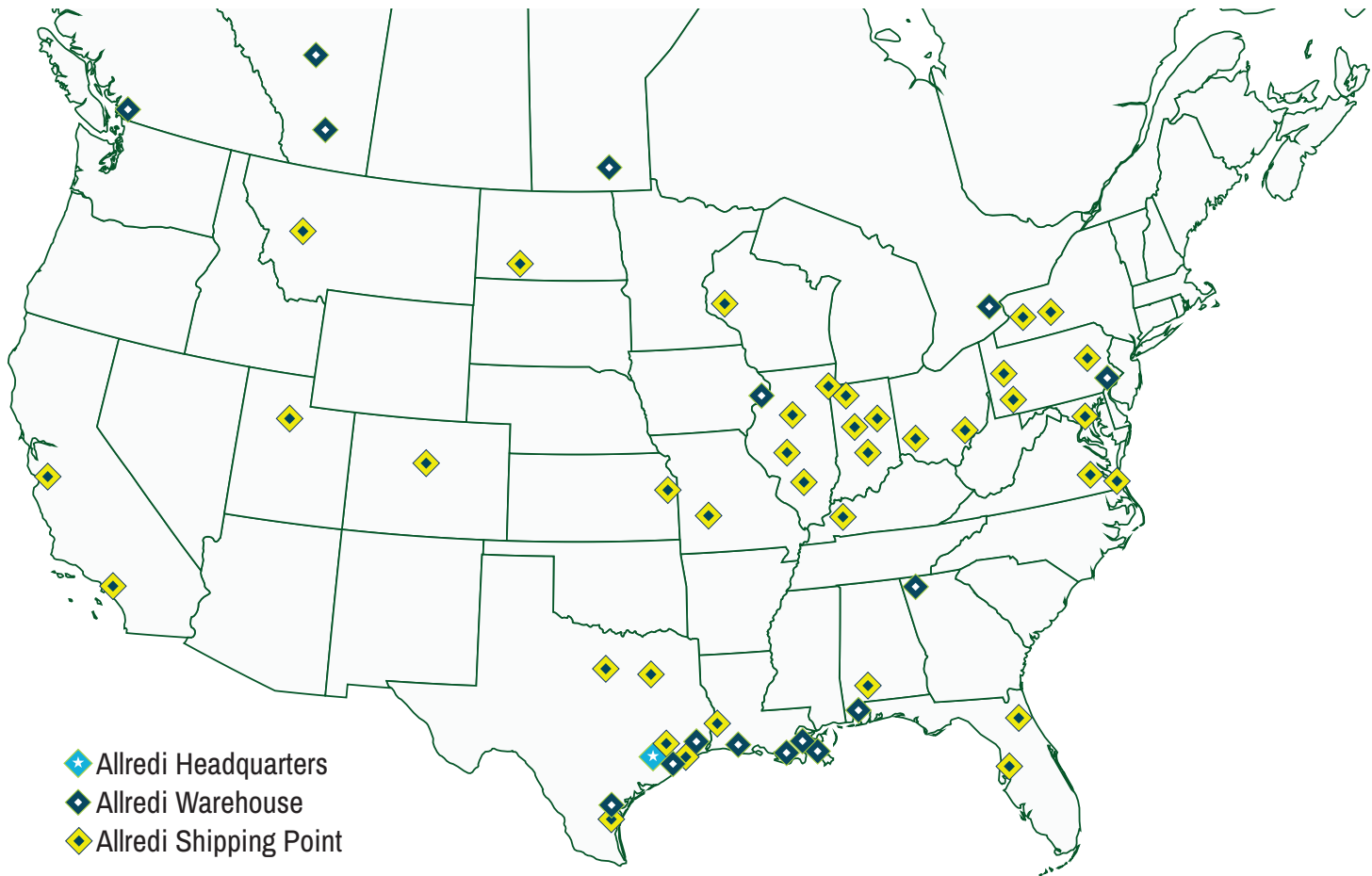
OPTIONAL ACCESSORIES

ELECTRIC CONTROL LINE PLUGS

	Part Numbers	Prong Style	Plug Style
	1015551	2-Prong Male	Twist-Lock
	1015552	2-Prong Female	Twist-Lock
	1015555	3-Prong Male	Twist-Lock
	1015556	3-Prong Female	Twist-Lock

MAINTENANCE NOTES

DATE	TYPE OF SERVICE	PART NUMBER



ALLREDI THERE

Serving these industries: Bridge, Pipeline, Tank & Tower, Concrete Services, Rail, Shipyard & Marine, Pools & Fountains, and Foundry

UNITED STATES

Pasadena, TX (*Headquarters*)
844.361.7038

Beaumont, TX
409.722.1284

Bristol, PA
215.826.8080

Corpus Christi, TX
361.887.2038

Davenport, IA
563.324.2519

Deer Park, TX
(*Service & Rental Location*)
281.930.0905

Duluth, GA
800.535.4564

Gonzales, LA
225.647.7575

Harvey, LA
504.367.8090

Houma, LA
985.580.4273

Lafayette, LA
337.267.1440

Theodore, AL
251.338.7525

CANADA

Calgary, Alberta
403.279.1924

Coquitlam, BC
604.464.6979

Edmonton, Alberta
780.468.2588 (Manus)
780.425.5510 (Mod-U-Blast)

Hamilton, Ontario
905.527.6000 / 888.794.5665

Mississauga, Ontario
905.890.5837

Winnipeg, Manitoba
204.256.3324

WWW.ALLREDI-US.COM / 800.252.7848

WWW.ALLREDI-CA.COM / 800.661.3842

Allredi™ and Marco® are registered trademarks of Allredi, LLC.
Mod-U-Blast® is a registered trademark of Allredi Blast & Abrasives Canada, Inc.
All other brand names or marks are used for identification purposes and are trademarks of their respective owners.

ALLREDI™

Literature #106M090_3/14/2025