



BLASTMASTER® MOBILE BLASTING SYSTEMS



BUILT MARCO TOUGH
MARCO MANUFACTURED

PART NUMBERS AND SCHEMATICS GUIDE

Company Profile

Since 1944, Marco has developed a strong tradition of providing innovative and reliable products and services to the surface preparation and protective coatings industries. We are the world's premier provider of Abrasives, Blasting, Coating, Dust Collectors, Engineered Systems, Rental, Safety, Service, Repair, & Modernization, and Vacuums.

Through innovative designs and a total commitment to quality, Marco manufactures products that increase production rates, create a safer workplace, and reduce maintenance costs. Marco's industry experience, manufacturing capabilities, legendary customer service, product availability, logistics services, and technology leadership is your assurance that we deliver high quality products and services, providing the best value to you, our customer.

The Marco Difference

- **Industry Experience** – With Marco on your team, you have access to expertise which can only come from decades of industry leadership. We have organized our engineering department, production specialists, customer operations, and safety support into a “Center of Competence.” As a Marco customer, you have access to hundreds of years of cumulative experience related to your operations.
- **Manufacturing Excellence** – Marco is a manufacturer of equipment for the Surface Preparation and Protective Coatings industries. Marco's engineers benchmark the industry to ensure that we design and manufacture superior products that set the “Gold Standard” for performance, safety, and quality.
- **Legendary Customer Service** – Marco's legendary customer service team is staffed by friendly, highly-trained individuals who are focused on providing the highest level of product support, order accuracy, and customer satisfaction.
- **Product Availability** – We stock over 10,000 SKU's and have more than 45 shipping locations to serve North American and International markets for all major brands of blasting and coating equipment. As the largest provider of surface preparation and protective coatings equipment in the world, our inventory levels and product availability are unmatched.
- **Logistics Services** – Marco's in-house logistics team is dedicated to moving your shipment anywhere in the world. We move more than 14,000 truckloads every year, allowing you to save on freight costs by leveraging our buying power. Lower your process costs with a single invoice, which includes product and freight.
- **Technology Leadership** – Our website provides: Operator's Manuals, Part Numbers and Schematics Guides, SDS information, and Features & Specifications Guides, providing access to information 24/7. Our Extranet application allows you to receive quotes and place orders online. Our Intranet maintains a complete record of your purchase history to assist with ongoing support of your existing equipment and future purchasing decisions.

Vision Statement

Marco is the world's premier provider of Abrasives, Blasting, Coating, Dust Collectors, Engineered Systems, Rental, Safety, Service, Repair, & Modernization, and Vacuums.

Mission Statement

Marco provides strong leadership and innovation to the surface preparation and protective coatings industries. We dedicate our efforts to the continuous improvement of our products, services, processes, people, and most importantly, the quality of our customer's experience.

Quality Statement

Marco is committed to providing superior quality in the design, manufacturing, distribution, rental, service, and repair of our products. Continuous improvement of our processes and supply chain Integration comprise the core of our business strategy for delivering exceptional quality and value in all Marco products and services.

Management Philosophy

We are a company dedicated to the success of every customer and associate. We discuss, debate, challenge, measure, and test our ideas. We will be boundless and limitless in our passion to improve. Through sound leadership and dedicated associates, we will ensure a long term, profitable future for Marco, our associates, customers, and suppliers.

TABLE OF CONTENTS

Part Numbers	3	6.5 Cu. Ft. Abrasive Blasting Systems Literature Reference Guide	25
Assembly Part Numbers and Schematics	5	20.0 Cu. Ft. Abrasive Blasting Systems Literature Reference Guide	26
3.5 Cu. Ft. Skid-Mounted Abrasive Blasting Systems	5	Specifications	27
6.5 Cu. Ft. Skid-Mounted Abrasive Blasting Systems	7		
20.0 Cu. Ft. Skid-Mounted Abrasive Blasting Systems – Blastmaster® 950 CFM Aftercooler with Coalescing Tank	9		
3.5 Cu. Ft. Trailer-Mounted Abrasive Blasting Systems	11		
3.5 Cu. Ft. M-Series 16’ Trailer-Mounted Abrasive Blasting System	13		
6.5 Cu. Ft. Trailer-Mounted Abrasive Blasting Systems	15		
20.0 Cu. Ft. Trailer-Mounted Abrasive Blasting Systems – Blastmaster® 950 CFM Aftercooler with Coalescing Tank	17		
Frame for Skid-Mounted Abrasive Blasting Systems (3.5 Cu. Ft. and 6.5 Cu. Ft.)	19		
Frame for Skid-Mounted Abrasive Blasting Systems (20.0 Cu. Ft.)	20		
Frame for Trailer-Mounted Abrasive Blasting Systems (3.5 Cu. Ft. and 6.5 Cu. Ft.)	21		
Frame for 16’ Trailer-Mounted Abrasive Blasting Systems (3.5 Cu. Ft. M-Series)	22		
Frame for 18’ Trailer-Mounted Abrasive Blasting Systems (20.0 Cu. Ft.)	23		
Literature References	24		
3.5 Cu. Ft. Abrasive Blasting Systems Literature Reference Guide	24		

PART NUMBERS

3.5 CU. FT. MOBILE BLASTING SYSTEMS							
Part Numbers	Abrasive Blasting Pot Series	Power Source	Fork-Pocket Skid	Trailer	3.5 Cu. Ft. Abrasive Blasting Pot	Blastmaster® 286-Series Airline Filter – 6-Outlet	Blastmaster® 250 CFM Aftercooler with Moisture Separator
10102480	M-Series	12-Volt DC	X		1035206PKA	1028601	10101340
10102523	M-Series	Pneumatic	X		1035203PKA	1028601	10101340
10102396	HP-Series	12-Volt DC	X		1035030PKA	1028601	10101340
10102545	HP-Series	Pneumatic	X		1035024PKA	1028601	10101340
10102482	M-Series	12-Volt DC		X	1035206PKA	1028601	10101340
10102548	M-Series	Pneumatic		X	1035203PKA	1028601	10101340
10102397	HP-Series	12-Volt DC		X	1035030PKA	1028601	10101340
10102549	HP-Series	Pneumatic		X	1035024PKA	1028601	10101340
10106972	M-Series	Pneumatic		X 16 FT.	1035203PKA	1028601	10101340

6.5 CU. FT. MOBILE BLASTING SYSTEMS							
Part Numbers	Abrasive Blasting Pot Series	Power Source	Fork-Pocket Skid	Trailer	6.5 Cu. Ft. Abrasive Blasting Pot	Blastmaster® 286-Series Airline Filter – 6-Outlet	Blastmaster® 400 CFM Cart Mounted Aftercooler with Moisture Separator
10102481	M-Series	12-Volt DC	X		1065206PKA	1028601	10103924
10102533	M-Series	Pneumatic	X		1065203PKA	1028601	10103924
10102440	HP-Series	12-Volt DC	X		1065030PKA	1028601	10103924
10102544	HP-Series	Pneumatic	X		1065024PKA	1028601	10103924
10102484	M-Series	12-Volt DC		X	1065206PKA	1028601	10103924
10102546	M-Series	Pneumatic		X	1065203PKA	1028601	10103924
10102483	HP-Series	12-Volt DC		X	1065030PKA	1028601	10103924
10102547	HP-Series	Pneumatic		X	1065024PKA	1028601	10103924

PART NUMBERS

20.0 CU. FT. MOBILE BLASTING SYSTEMS							
Part Numbers	Power Source	Fork-Pocket Skid	Trailer	20.0 Cu. Ft. Abrasive Blasting Pot	Blastmaster® 286-Series Airline Filter – 6-Outlet	Blastmaster® 950 CFM Aftercooler with Coalescing Tank	Bulk Bag Rack
10107617	Pneumatic	X		10107009	1028601	10101150	
10107618	Pneumatic	X		10107011	1028601	10101150	
10108351	12-Volt DC	X		10107013	1028601	10101150	
10107619	12-Volt DC	X		10107015	1028601	10101150	
10107620	120-Volt DC	X		10107017	1028601	10101150	
10107621	120-Volt DC	X		10107019	1028601	10101150	
10108279	12-Volt DC		X	10107013	1028601	10101150	X



3.5 Cu. Ft. M-Series Skid System



20 Cu. Ft. Trailer System



3.5 Cu. Ft. M-Series Trailer System

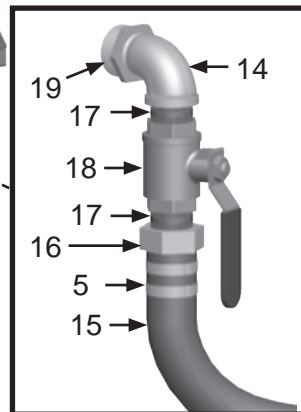
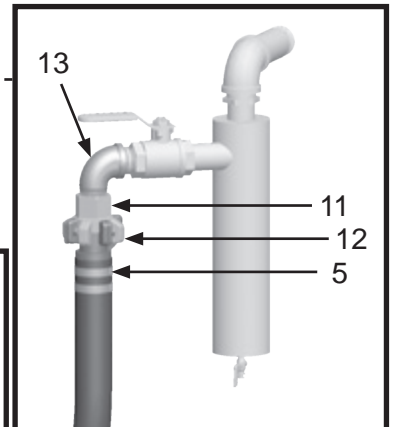
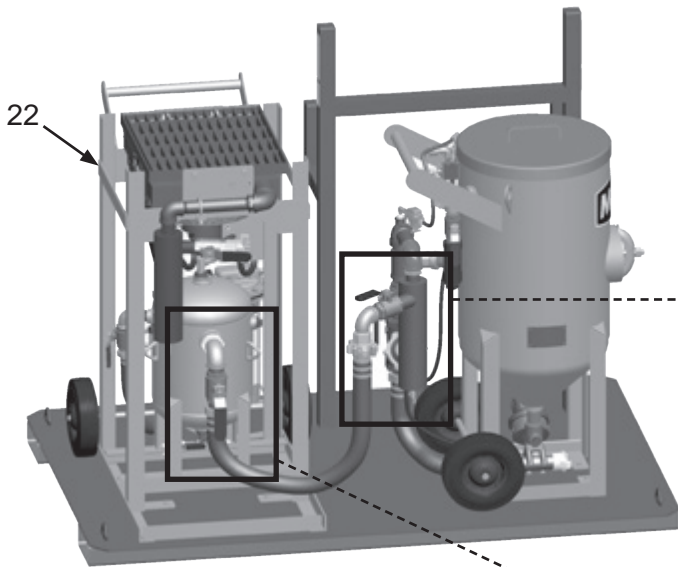
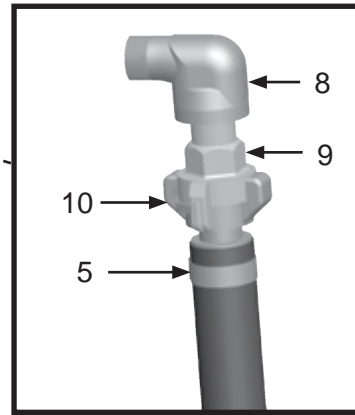
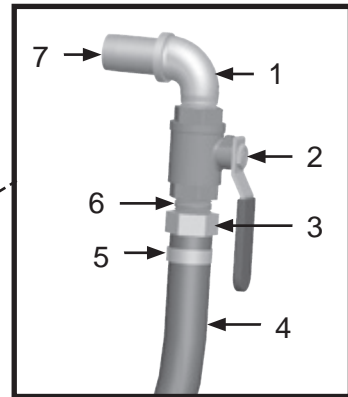
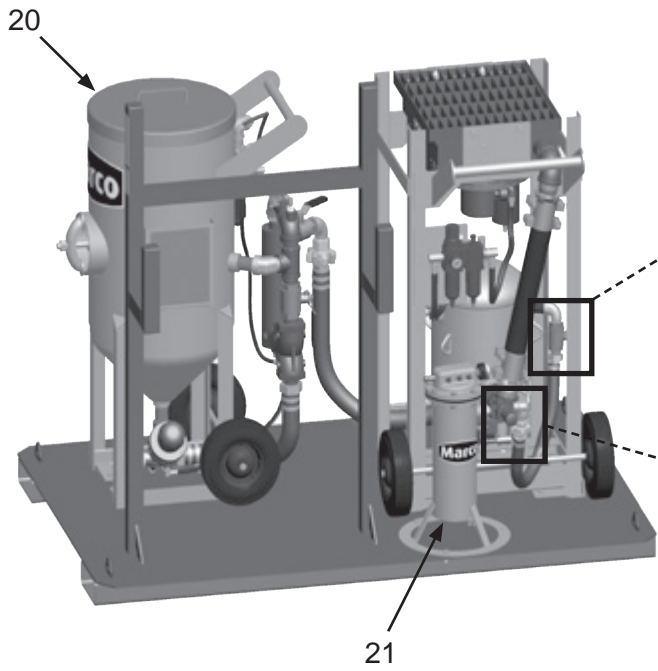
ASSEMBLY PART NUMBERS AND SCHEMATICS

3.5 Cu. Ft. Skid-Mounted Abrasive Blasting Systems

Item #	Part #	Description
Fig. 1		
—	10102480	3.5 Cu. Ft. M-Series Skid - Mounted Blast System – Electric – Complete
—	10102523	3.5 Cu. Ft. M-Series Skid - Mounted Blast System – Pneumatic – Complete
—	10102396	3.5 Cu. Ft. HP-Series Skid - Mounted Blast System – Electric – Complete
—	10102545	3.5 Cu. Ft. HP-Series Skid - Mounted Blast System – Pneumatic – Complete
1	1011801	1" Street Elbow
2	1011601	1" Full Port Ball Valve
3	10SFE2	1" Swivel Female End
4	10AH100	1" I.D. Air Hose
5	10AHCL1	Band Clamp <i>(Six Required)</i>
6	1012151	1" Close Nipple - Galvanized
7	1101843	1 x 2-1/2" Nipple
8	10102479	3/4" Street Elbow
9	10ME1	3/4" Coupling 2-Lug Male
10	10HE2	1" Air Hose Coupling 2-Lug Male
11	10ME3	1-1/4" Coupling 4-Lug Female
12	10HE4	1-1/2" Air Hose Coupling Male
13	1011802	1-1/4" 90° Street Elbow <i>(Two Required)</i>
14	1011839	1-1/2" 90° Galvanized Elbow
15	10AH112B	1-1/2" I.D. Air Hose - Black
16	10SFE4	1-1/2" Swivel Female End
17	1014015	1-1/2" Galvanized Close Nipple <i>(Two Required)</i>
18	1011603	1-1/2" Full Port Ball Valve
19	1001868	2" x 1-1/2" Galvanized Hex Bushing
20	1035206PKA	3.5 Cu. Ft. M-Series Blast Pot 12-Volt DC
—	1035203PKA	3.5 Cu. Ft. M-Series Blast Pot Pneumatic
—	1035030PKA	3.5 Cu. Ft. HP-Series Blast Pot 12-Volt DC
—	1035024PKA	3.5 Cu. Ft. HP-Series Blast Pot Pneumatic
21	1028601	6 Outlet Airline Filter Complete
22	10101340	250 CFM Aftercooler with Moisture Separator - Pneumatic

PART NUMBERS AND SCHEMATICS

Figure 1: 3.5 Cu. Ft. Skid-Mounted Abrasive Blasting Systems



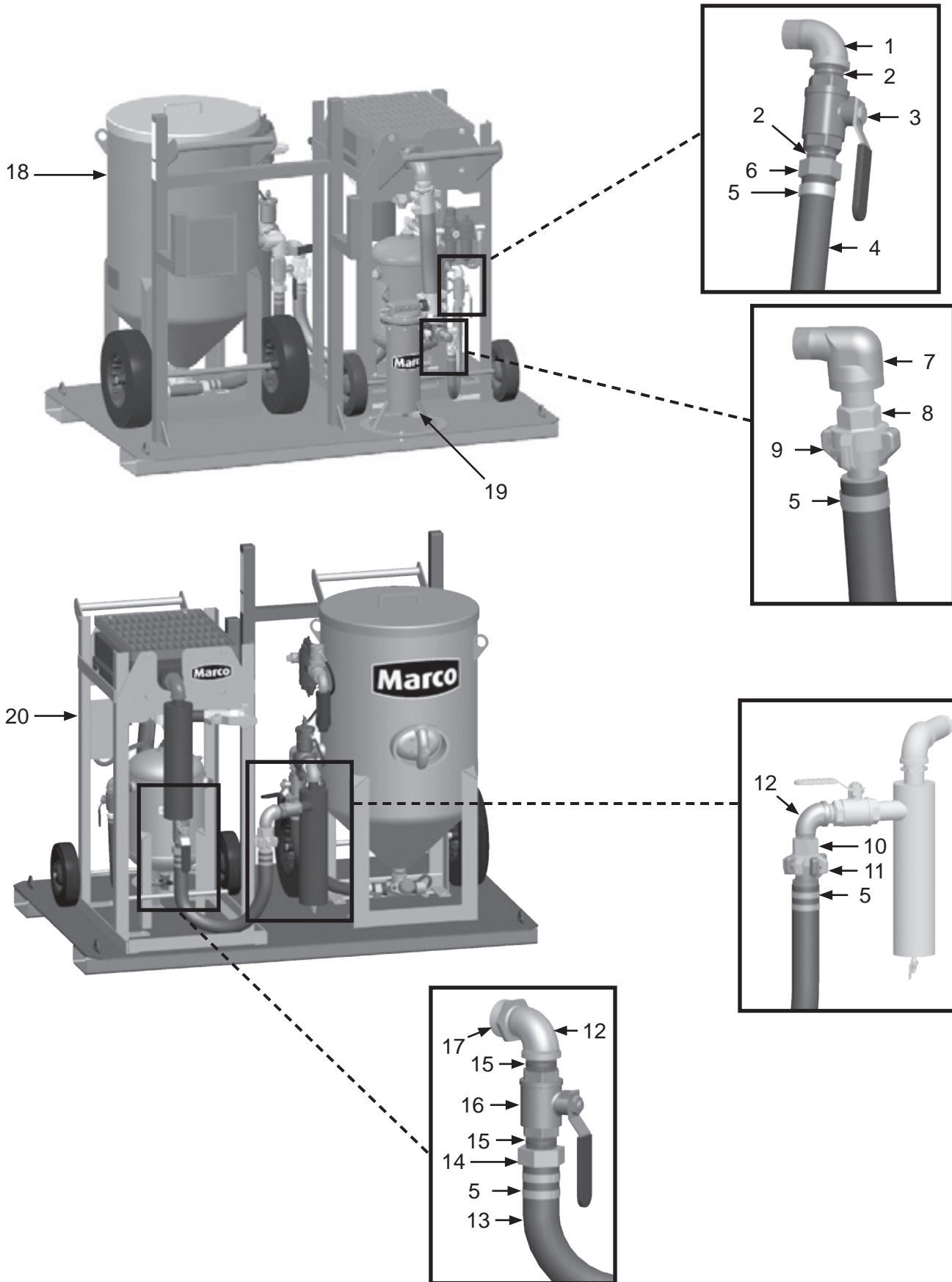
PART NUMBERS AND SCHEMATICS

6.5 Cu. Ft. Skid-Mounted Abrasive Blasting Systems

Item #	Part #	Description
Fig. 2		
—	10102481	6.5 Cu. Ft. M-Series Skid - Mounted Blast System – Electric – Complete
—	10102533	6.5 Cu. Ft. M-Series Skid - Mounted Blast System – Pneumatic – Complete
—	10102440	6.5 Cu. Ft. HP-Series Skid - Mounted Blast System – Electric – Complete
—	10102544	6.5 Cu. Ft. HP-Series Skid - Mounted Blast System – Pneumatic – Complete
1	1011801	1" Street Elbow
2	1012151	1" Close Nipple - Galvanized (<i>Two Required</i>)
3	1011601	1" Full Port Ball Valve
4	10AH100	1" I.D. Air Hose
5	10AHCL1	Band Clamp (<i>Six Required</i>)
6	10SFE2	1" Swivel Female End
7	10102479	3/4" Street Elbow
8	10ME1	3/4" Coupling 2-Lug Male
9	10HE2	1" Air Hose Coupling 2-Lug Male
10	10ME4	1-1/2" Coupling 4-Lug Female
11	10HE4	1-1/2" Air Hose Coupling 4-Lug Male
12	1011839	1-1/2" 90° Galvanized Elbow (<i>Two Required</i>)
13	10AH112B	1-1/2" I.D. Air Hose - Black
14	10SFE4	1-1/2" Swivel Female End
15	1014015	1-1/2" Galvanized Close Nipple (<i>Two Required</i>)
16	1011603	1-1/2" Full Port Ball Valve
17	1001868	2" x 1-1/2" Galvanized Hex Bushing
18	1065206PKA	6.5 Cu. Ft. M-Series Blast Pot 12-Volt DC
—	1065203PKA	6.5 Cu. Ft. M-Series Blast Pot Pneumatic
—	1065030PKA	6.5 Cu. Ft. HP-Series Blast Pot 12-Volt DC
—	1065024PKA	6.5 Cu. Ft. HP-Series Blast Pot Pneumatic
19	1028601	6 Outlet Airline Filter Complete
20	10103924	400 CFM Aftercooler with Moisture Separator - Pneumatic

PART NUMBERS AND SCHEMATICS

Figure 2: 6.5 Cu. Ft. Skid-Mounted Abrasive Blasting Systems



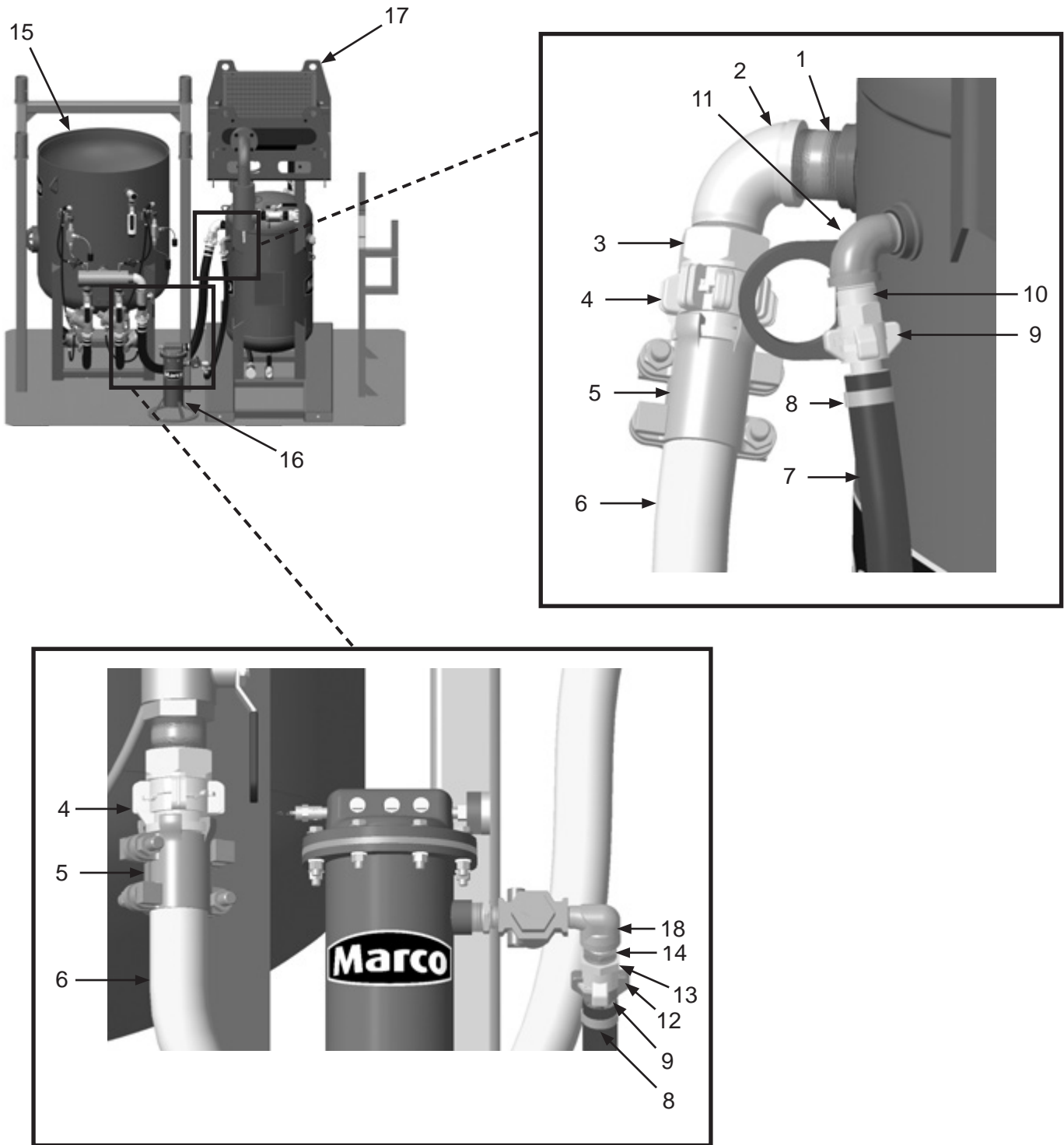
PART NUMBERS AND SCHEMATICS

20.0 Cu. Ft. Skid-Mounted Abrasive Blasting Systems – Blastmaster® 950 CFM Aftercooler with Coalescing Tank

Item #	Part #	Description
Fig. 3		
—	10107617	20.0 Cu. Ft. Skid-Mounted Abrasive Blasting System – Pneumatic – Dual Maxum – Tungsten Carbide – Complete
—	10107618	20.0 Cu. Ft. Skid-Mounted Abrasive Blasting System – Pneumatic – Dual Maxum – Urethane – Complete
—	10108351	20.0 Cu. Ft. Skid-Mounted Abrasive Blasting System – 12-Volt DC – Dual Maxum – Tungsten Carbide – Complete
—	10107619	20.0 Cu. Ft. Skid-Mounted Abrasive Blasting System – 12-Volt DC – Dual Maxum – Urethane – Complete
—	10107620	20.0 Cu. Ft. Skid-Mounted Abrasive Blasting System – 120-Volt AC – Dual Maxum – Tungsten Carbide – Complete
—	10107621	20.0 Cu. Ft. Skid-Mounted Abrasive Blasting System – 120-Volt AC – Dual Maxum – Urethane – Complete
1	1001806	2" Close Nipple - Galvanized
2	10101265	2" Street Elbow
3	10ME5	2" Coupling 4-Lug Female
4	10HE5	2" Air Hose Coupling 4-Lug <i>(Two Required)</i>
5	10BU28	Boss Clamp for 2" I.D. Hose <i>(Two Required)</i>
6	10AH200	2" Air Hose I.D. 300 Psi - Yellow
7	10AH100	1" Air Hose I.D. 200 Psi - Red
8	10AHCL1	Band Clamp for 2" I.D. Air Hose <i>(Two Required)</i>
9	10HE2	1" Air Hose Coupling 2-Lug <i>(Two Required)</i>
10	10ME2	1" Coupling 2-Lug Female
11	1011801	1" Street Elbow
12	10FE2	1" Coupling 2-Lug Female Npt
13	1011505	1" X 3/4" Npt Bushing Galvanized
14	1011213	3/4" Npt Close Nipple - Galvanized
15	10107009	20.0 Cu. Ft. Abrasive Blasting Pot – Pneumatic – Dual Maxum – Tungsten Carbide
—	10107011	20.0 Cu. Ft. Abrasive Blasting Pot – Pneumatic – Dual Maxum – Urethane
—	10107013	20.0 Cu. Ft. Abrasive Blasting Pot – 12-Volt DC – Dual Maxum – Tungsten Carbide
—	10107015	20.0 Cu. Ft. Abrasive Blasting Pot – 12-Volt DC – Dual Maxum – Urethane
—	10107017	20.0 Cu. Ft. Abrasive Blasting Pot – 120-Volt AC – Dual Maxum – Tungsten Carbide
—	10107019	20.0 Cu. Ft. Abrasive Blasting Pot – 120-Volt AC – Dual Maxum – Urethane
16	1028601	6 Outlet Airline Filter Complete
17	10101150	Blastmaster® 950 CFM Aftercooler with Coalescing Tank – Pneumatic
18	10102479	3/4" 90° Street Elbow - Galvanized

PART NUMBERS AND SCHEMATICS

Figure 3: 20.0 Cu. Ft. Skid-Mounted Abrasive Blasting Systems – Blastmaster® 950 CFM Aftercooler with Coalescing Tank



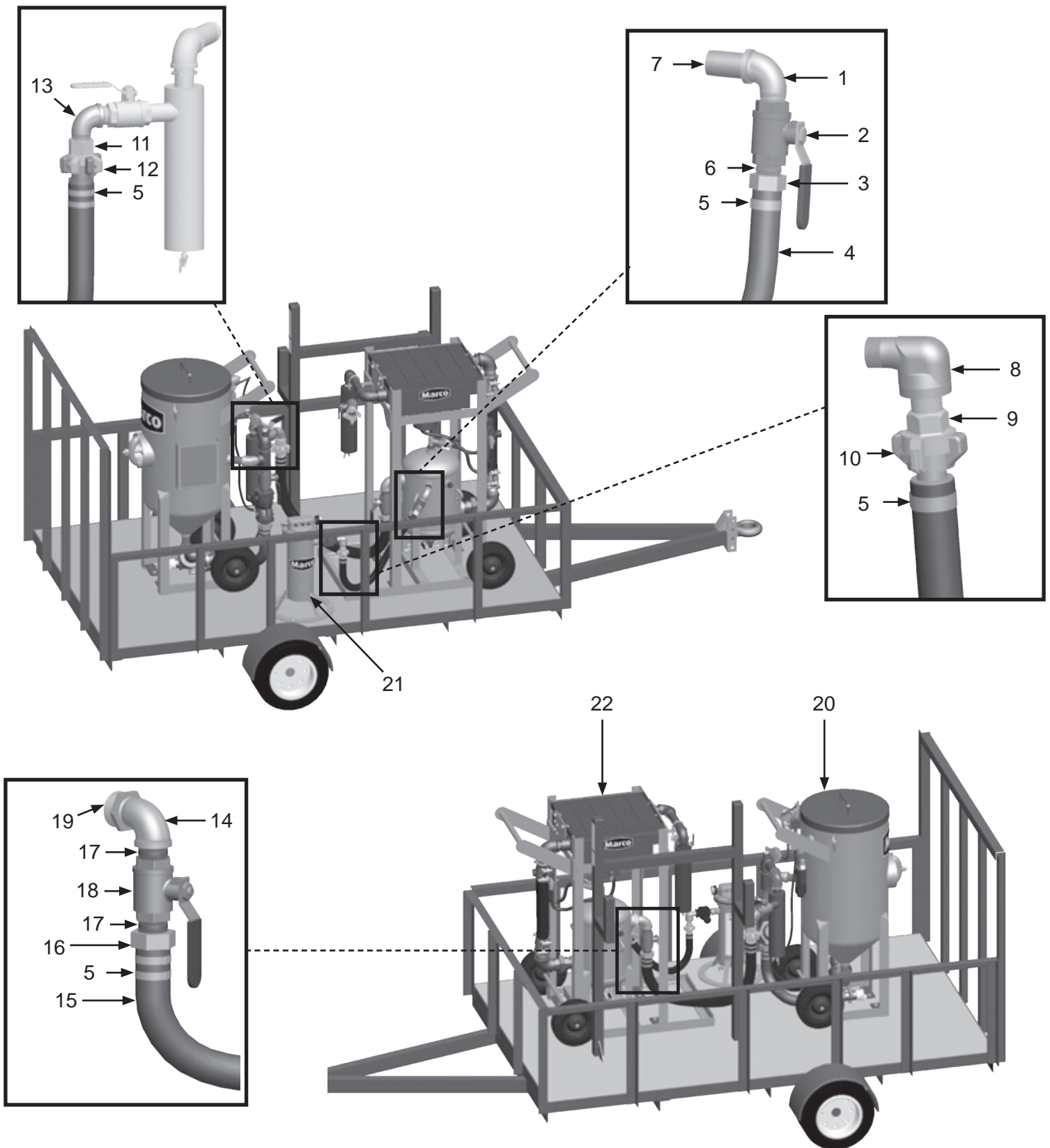
PART NUMBERS AND SCHEMATICS

3.5 Cu. Ft. Trailer-Mounted Abrasive Blasting Systems

Item #	Part #	Description
Fig. 4		
—	10102482	3.5 Cu. Ft. M-Series Trailer Mounted Blast System – Electric – Complete
—	10102548	3.5 Cu. Ft. M-Series Trailer Mounted Blast System – Pneumatic – Complete
—	10102397	3.5 Cu. Ft. HP-Series Trailer Mounted Blast System – Electric – Complete
—	10102549	3.5 Cu. Ft. HP-Series Trailer Mounted Blast System – Pneumatic – Complete
1	1011801	1" Street Elbow
2	1011601	1" Full Port Ball Valve
3	10SFE2	1" Swivel Female End
4	10AH100	1" I.D. Air Hose
5	10AHCL1	Band Clamp (<i>Six Required</i>)
6	1012151	1" Close Nipple - Galvanized
7	1101843	1" x 2-1/2" Nipple
8	10102479	3/4" Street Elbow
9	10ME1	3/4" Coupling 2-Lug Male
10	10HE2	1" Air Hose Coupling 2-Lug Male
11	10ME3	1-1/4" Coupling 4-Lug Female
12	10HE4	1-1/2" Air Hose Coupling Male
13	1011802	1-1/4" 90° Street Elbow (<i>Two Required</i>)
14	1011839	1-1/2" 90° Galvanized Elbow
15	10AH112B	1-1/2" I.D. Air Hose - Black
16	10SFE4	1-1/2" Swivel Female End
17	1014015	1-1/2" Galvanized Close Nipple (<i>Two Required</i>)
18	1011603	1-1/2" Full Port Ball Valve
19	1001868	2" x 1-1/2" Galvanized Hex Bushing
20	1035206PKA	3.5 Cu. Ft. M-Series Blast Pot 12-Volt DC
—	1035203PKA	3.5 Cu. Ft. M-Series Blast Pot Pneumatic
—	1035030PKA	3.5 Cu. Ft. HP-Series Blast Pot 12-Volt DC
—	1035024PKA	3.5 Cu. Ft. HP-Series Blast Pot Pneumatic
21	1028601	6 Outlet Airline Filter Complete
22	10101340	250 CFM Aftercooler with Moisture Separator - Pneumatic

PART NUMBERS AND SCHEMATICS

Figure 4: 3.5 Cu. Ft. Trailer-Mounted Abrasive Blasting Systems



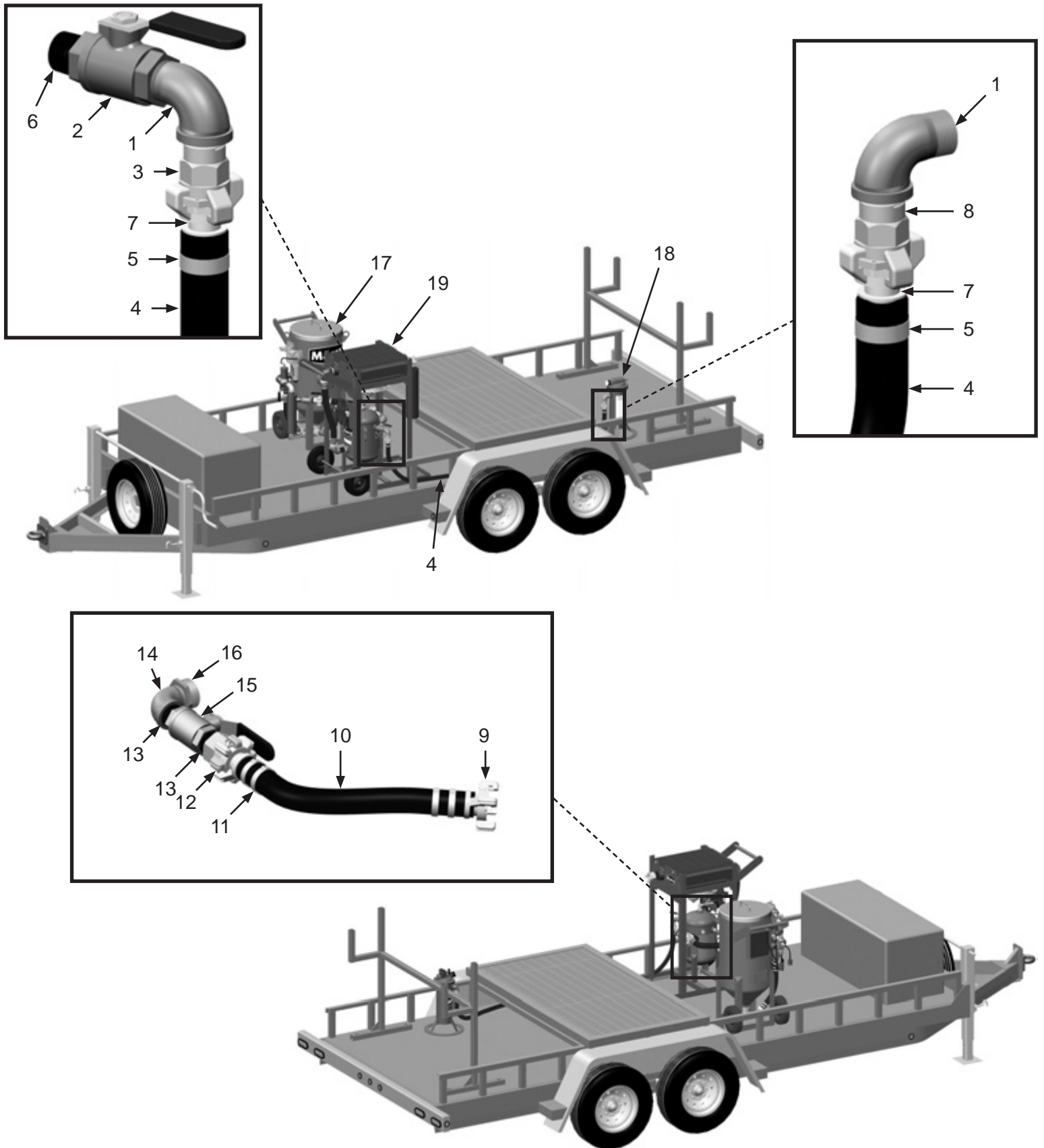
PART NUMBERS AND SCHEMATICS

3.5 Cu. Ft. M-Series 16' Trailer-Mounted Abrasive Blasting System

Item #	Part #	Description
Fig. 5		
—	10106972	3.5 Cu. Ft. M-Series 16' Trailer Mounted Blast System – Complete
1	1011801	1" Street Elbow
2	1011601	1" Full Port Ball Valve
3	10SFE2	1" Swivel Female End
4	10AH100	1" I.D. Air Hose
5	10AHCL1	Band Clamp (<i>Six Required</i>)
6	1012151	1" Close Nipple - Galvanized
7	10HE2	1" Air Hose Coupling 2-Lug Male
8	10ME2	1" Coupling 2-Lug Male
9	10HE4	1-1/2" Air Hose Coupling Male
10	10AH112	1-1/2" Air Hose I.D. 200 PSI - Red
11	10AHCL2	Band Clamp (<i>Six Required</i>)
12	10ME4	1-1/2" Air Hose Coupling 4-Lug Female
13	1014015	1-1/2" Galvanized Close Nipple (<i>Two Required</i>)
14	1011839	1-1/2" 90° Galvanized Elbow
15	1011603	1-1/2" Full Port Ball Valve
16	1001868	2" x 1-1/2" Galvanized Hex Bushing
17	1035203PKA	3.5 M Series Blast Pot Pneumatic
18	1028601	6 Outlet Airline Filter Complete
19	10103924	400 CFM Aftercooler With Moisture Separator - Pneumatic

PART NUMBERS AND SCHEMATICS

Figure 5: 3.5 Cu. Ft. M-Series Trailer-Mounted Abrasive Blasting System



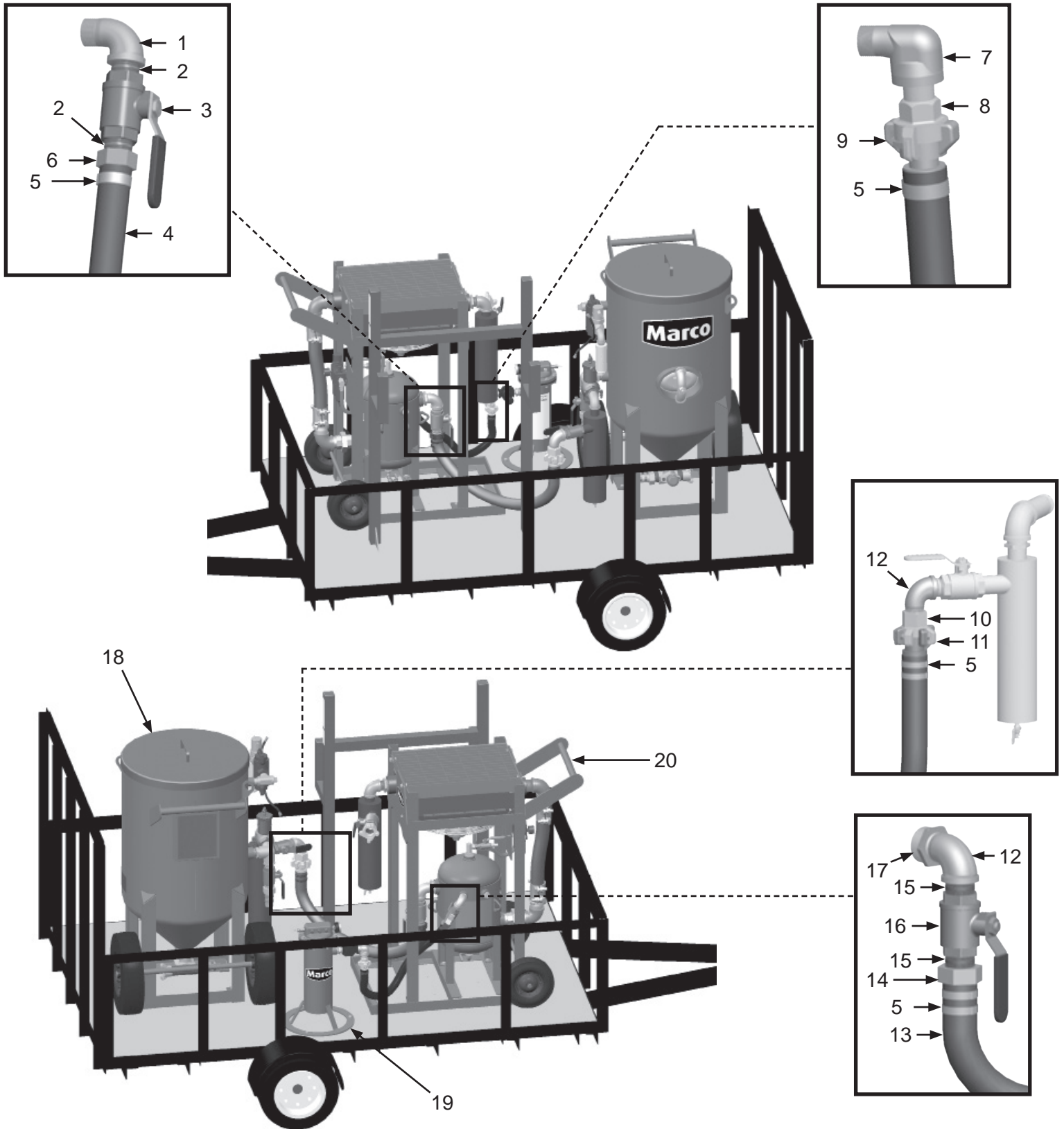
PART NUMBERS AND SCHEMATICS

6.5 Cu. Ft. Trailer-Mounted Abrasive Blasting Systems

Item #	Part #	Description
Fig. 6		
—	10102484	6.5 Cu. Ft. M-Series Trailer Mounted Blast System – Electric – Complete
—	10102546	6.5 Cu. Ft. M-Series Trailer Mounted Blast System – Pneumatic – Complete
—	10102483	6.5 Cu. Ft. HP-Series Trailer Mounted Blast System – Electric – Complete
—	10102547	6.5 Cu. Ft. HP-Series Trailer Mounted Blast System – Pneumatic – Complete
1	1011801	1" Street Elbow
2	1012151	1" Close Nipple - Galvanized (<i>Two Required</i>)
3	1011601	1" Full Port Ball Valve
4	10AH100	1" I.D. Air Hose
5	10AHCL1	Band Clamp (<i>Six Required</i>)
6	10SFE2	1" Swivel Female End
7	10102479	3/4" Street Elbow
8	10ME1	3/4" Coupling 2-Lug Male
9	10HE2	1" Air Hose Coupling 2-Lug Male
10	10ME4	1-1/2" Coupling 4-Lug Female
11	10HE4	1-1/2" Air Hose Coupling Male
12	1011839	1-1/2" 90° Galvanized Elbow (<i>Two Required</i>)
13	10AH112B	1-1/2" I.D. Air Hose - Black
14	10SFE4	1-1/2" Swivel Female End
15	1014015	1-1/2" Galvanized Close Nipple (<i>Two Required</i>)
16	1011603	1-1/2" Full Port Ball Valve
17	1001868	2" x 1-1/2" Galvanized Hex Bushing
18	1065206PKA	6.5 Cu. Ft. M-Series Blast Pot 12-Volt DC
—	1065203PKA	6.5 Cu. Ft. M-Series Blast Pot Pneumatic
—	1065030PKA	6.5 Cu. Ft. HP-Series Blast Pot 12-Volt DC
—	1065024PKA	6.5 Cu. Ft. HP-Series Blast Pot Pneumatic
19	1028601	6-Outlet Airline Filter Complete
20	10103924	400 CFM Aftercooler With Moisture Separator - Pneumatic

PART NUMBERS AND SCHEMATICS

Figure 6: 6.5 Cu. Ft. Trailer-Mounted Abrasive Blasting Systems



PART NUMBERS AND SCHEMATICS

20.0 Cu. Ft. Trailer-Mounted Abrasive Blasting Systems – Blastmaster® 950 CFM Aftercooler with Coalescing Tank

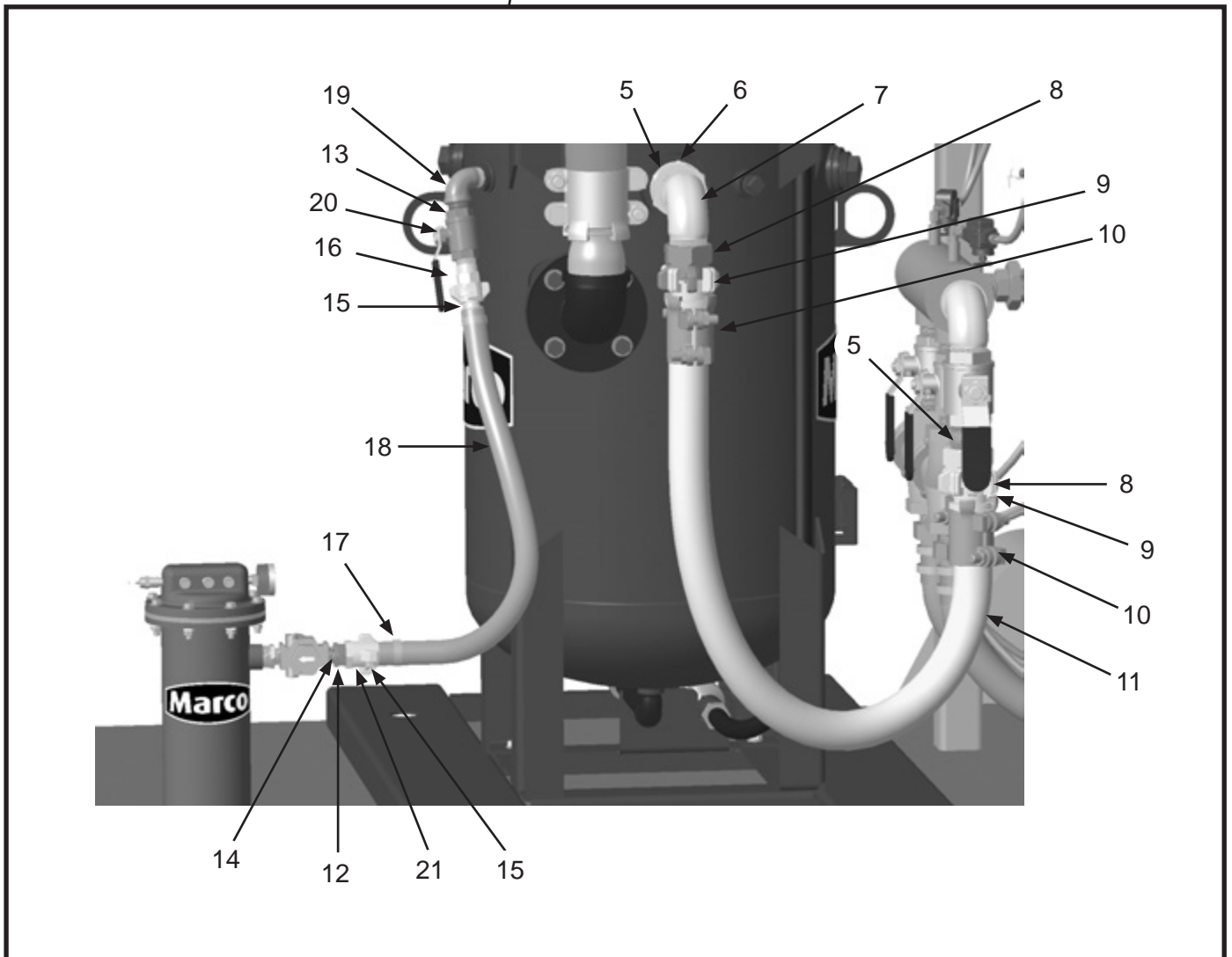
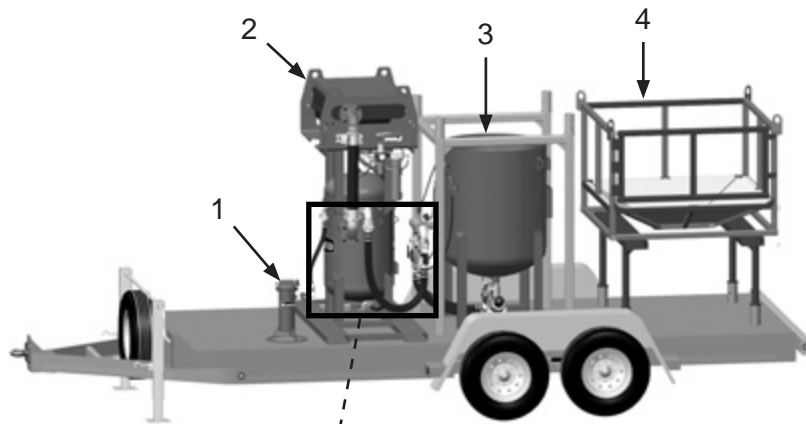
Item #	Part #	Description
--------	--------	-------------

Fig. 7

—	10108279	20.0 Cu. Ft. Trailer-Mounted Abrasive Blasting System – 12-Volt DC – Dual Maxum – Tungsten Carbide with 950 Aftercooler – Complete
1	1028601	6 Outlet Airline Filter Complete
2	10101150	Blastmaster® 950 CFM Aftercooler with Coalescing Tank – Pneumatic
3	10107013	20.0 Cu. Ft. Abrasive Blasting Pot – 12-Volt DC – Dual Maxum – Tungsten Carbide
4	10104768	Marco Bulk Bag Rack With Gate
5	1001806	2" Close Nipple - Galvanized <i>(Two Required)</i>
6	10101183	3" MNPT x 2" FNPT Bushing - Galvanized
7	10101265	2" Street Elbow
8	10ME5	2" Coupling 4-Lug Female <i>(Two Required)</i>
9	10HE5	2" Air Hose Coupling 4-Lug <i>(Two Required)</i>
10	10BU28	Boss Clamp for 2" I.D. Hose <i>(Two Required)</i>
11	10AH200	2" Air Hose I.D. 300 Psi - Yellow
12	1011505	1" X 3/4" NPT Reducing Bushing Galvanized
13	1012151	1" Close Nipple - Galvanized
14	1011213	3/4" Npt Close Nipple - Galvanized
15	10HE2	1" Air Hose Coupling 2-Lug Male <i>(Two Required)</i>
16	10ME2	1" Coupling 2-Lug Male
17	10AHCL1	Band Clamp <i>(Two Required)</i>
18	10AH100	1" Air Hose I.D. 200 Psi - Red
19	1011801	1" Street Elbow
20	1011601	1" Full Port Ball Valve
21	10FE2	1" Coupling 2-Lug Female Npt

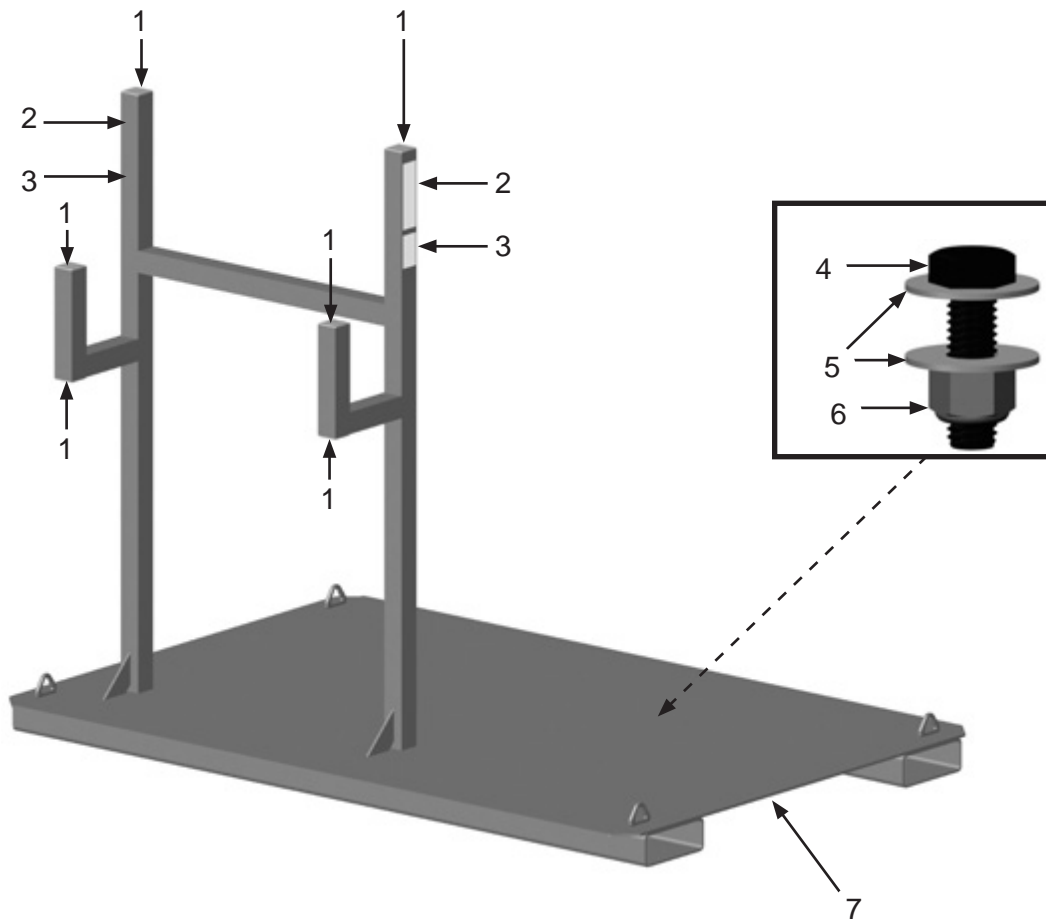
PART NUMBERS AND SCHEMATICS

Figure 7: 20.0 Cu. Ft. Trailer-Mounted Abrasive Blasting Systems – Blastmaster® 950 CFM Aftercooler with Coalescing Tank



PART NUMBERS AND SCHEMATICS

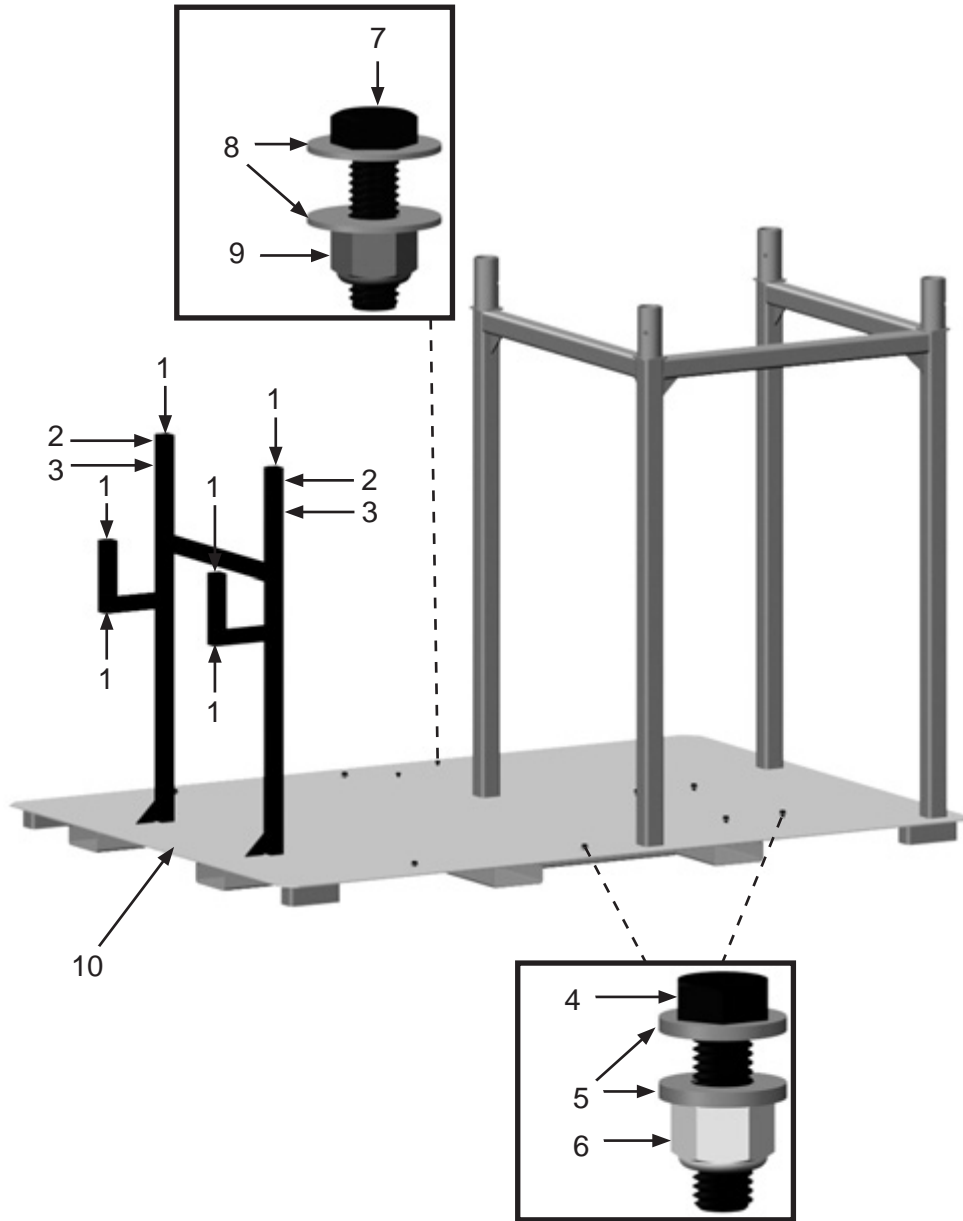
Figure 8: Frame for Skid-Mounted Abrasive Blasting Systems (3.5 Cu. Ft. and 6.5 Cu. Ft.)



Item #	Part #	Description
Fig. 8		
1	20100281	2" x 2" Plastic Cap <i>(Six Required)</i>
2	1091100	Hazard Identification Decal <i>(Two Required)</i>
3	1091101	Weight Identification Decal <i>(Two Required)</i>
4	10101059	3/8-16 x 1-1/4" Bolt <i>(10 Required)</i>
5	1014241	3/8" Flat Washer <i>(20 Required)</i>
6	10101938	3/8-16 Hex Nut <i>(10 Required)</i>
7	10102349	Skid Weldment - Bulk Mount

PART NUMBERS AND SCHEMATICS

Figure 9: Frame for Skid-Mounted Abrasive Blasting Systems (20.0 Cu. Ft.)



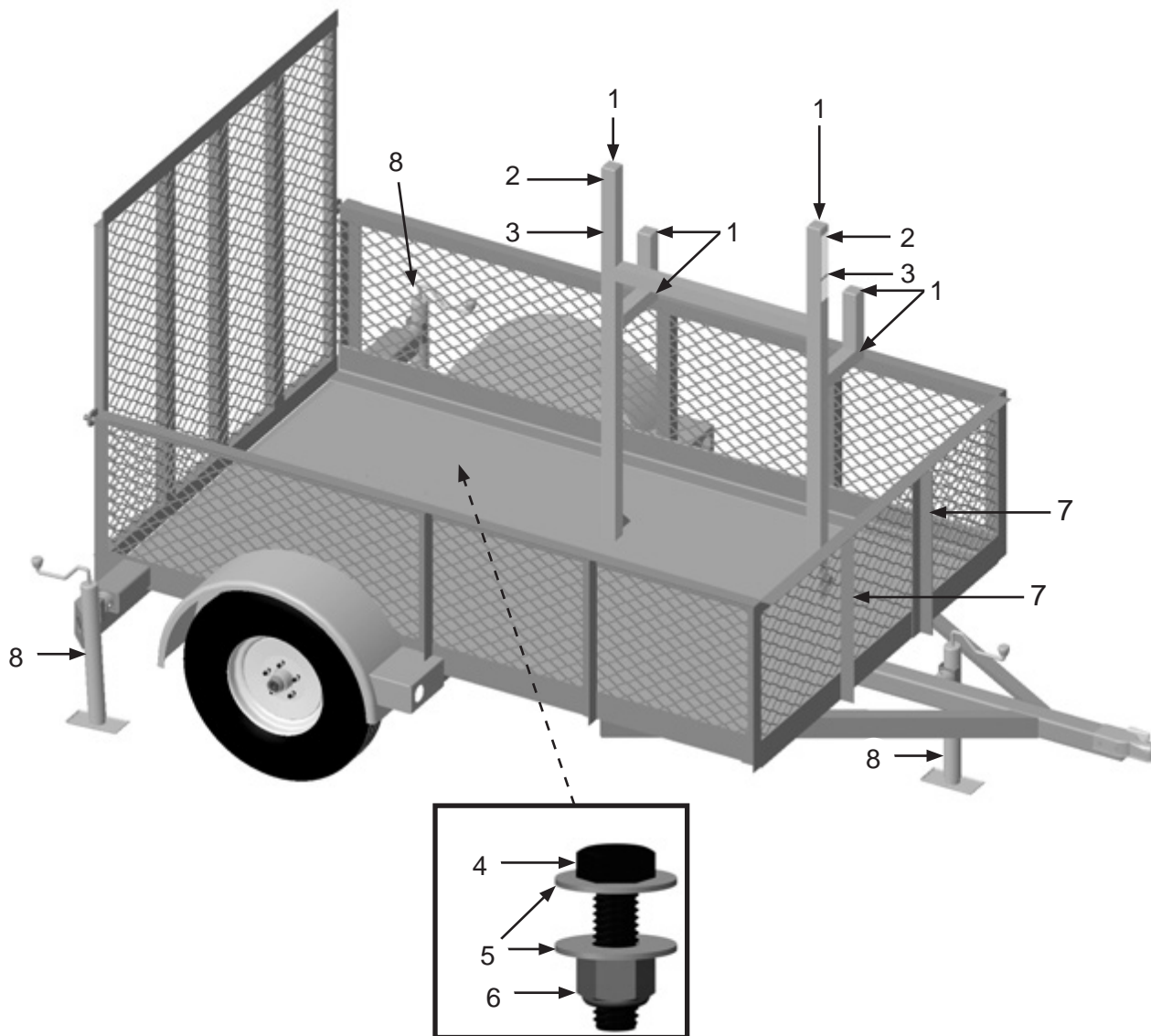
Item #	Part #	Description
--------	--------	-------------

Fig. 9

1	20100281	2" x 2" Plastic Cap (Six Required)
2	1091171	Hazard Identification Decal (Two Required)
3	1091172	Weight Identification Decal (Two Required)
4	10107495	1/2-13 x 1-5/8" Grade 8 Hex Bolt (Eight Required)
5	10104711	1/2" Grade 8 Yellow Zinc Flat Washer (16 Required)
6	10107496	1/2-13 Grade 8 Lock Nut (Eight Required)
7	10104234	3/8-16 x 1-1/4 Hex Bolt Zinc Grade 5 (Two Required)
8	1014241	3/8 Sae Flat Washer Zinc Plated (Four Required)
9	10102329	3/8-16 Nylon Inserted Locknut (Two Required)
10	10107195	20 Cu Skid Weldment - Bulk Mount

PART NUMBERS AND SCHEMATICS

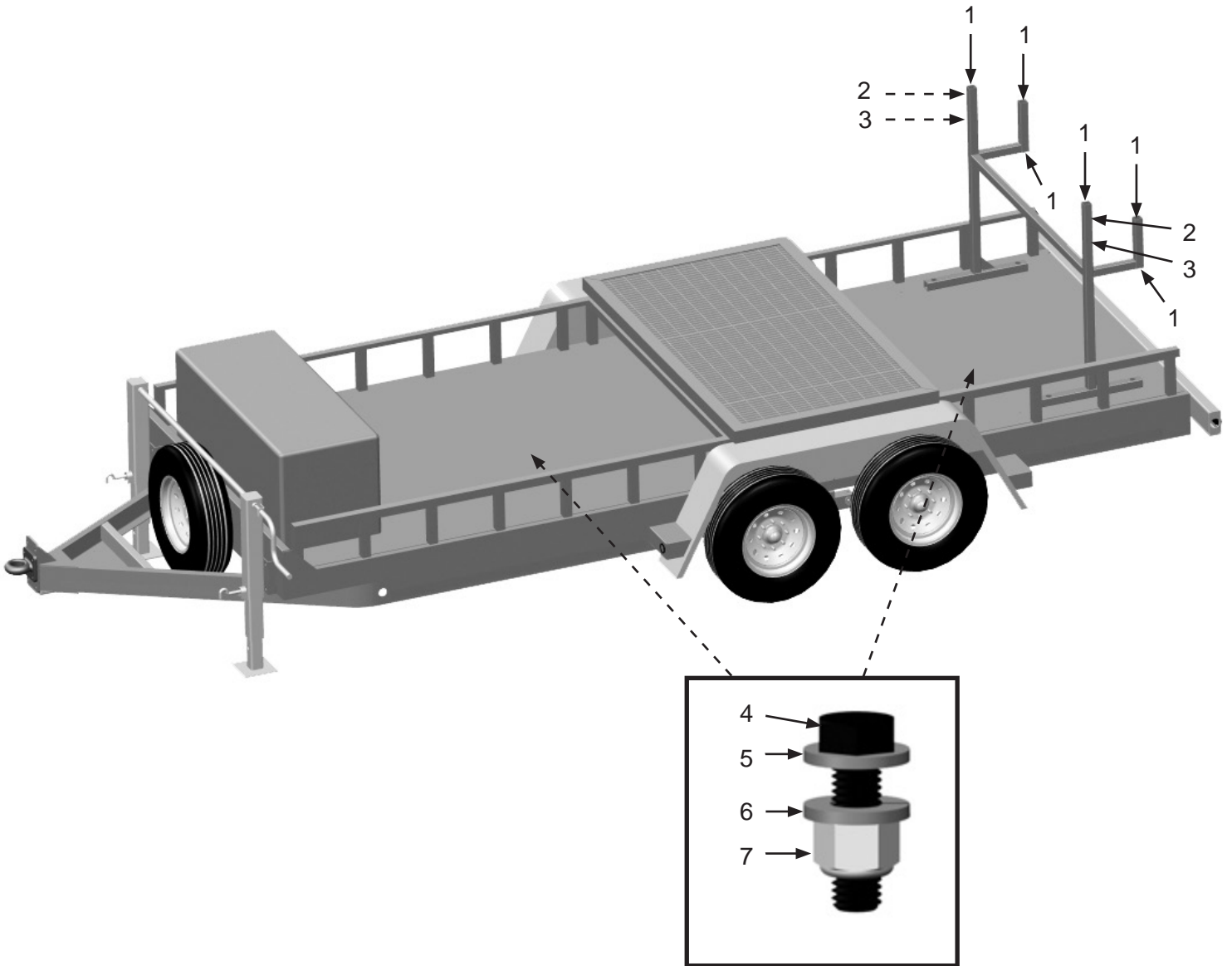
Figure 10: Frame for Trailer-Mounted Abrasive Blasting Systems (3.5 Cu. Ft. and 6.5 Cu. Ft.)



Item #	Part #	Description
Fig. 10		
1	20100281	2" x 2" Plastic Cap (Six Required)
2	1091100	Hazard Identification Decal (Two Required)
3	1091101	Weight Identification Decal (Two Required)
4	10101059	3/8-16 x 1-1/4" Bolt (10 Required)
5	1014241	3/8" Flat Washer (20 Required)
6	10101938	3/8-16 Hex Nut (10 Required)
7	1091102	Weight Identification Decal (Two Required)
8	10100482	5,000LB, Round, Top Wind Jack

PART NUMBERS AND SCHEMATICS

Figure 11: Frame for 16' Trailer-Mounted Abrasive Blasting Systems (3.5 Cu. Ft. M-Series)



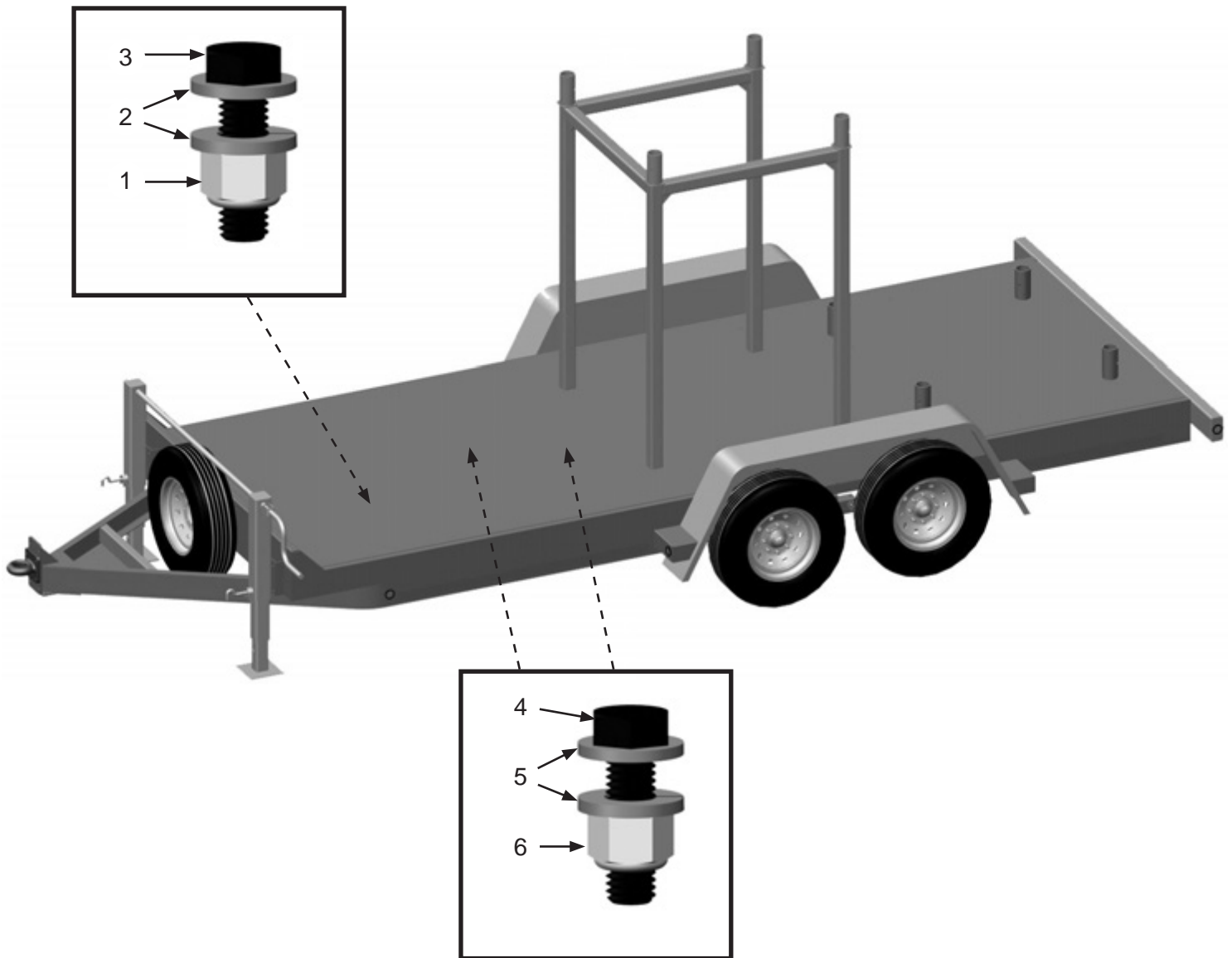
Item #	Part #	Description
--------	--------	-------------

Fig. 11

1	20100281	2" x 2" Plastic Cap (Six Required)
2	1091100	Hazard Identification Decal (Two Required)
3	1091101	Weight Identification Decal (Two Required)
4	10102820	1/2-13 x 2-3/4" Hex Bolt (11 Required)
5	10100674	Washer – 1/2" (11 Required)
6	10100675	Lock Washer – 1/2" (11 Required)
7	10107496	Nut – 1/2" (11 Required)

PART NUMBERS AND SCHEMATICS

Figure 12: Frame for 18' Trailer-Mounted Abrasive Blasting Systems (20.0 Cu. Ft.)



Item #	Part #	Description
--------	--------	-------------

Fig. 12

1	10102329	3/8-16 x 1-1/4 Hex Bolt Zinc (Two Required)
2	1014241	3/8 SAE Flat Washer Zinc (Four Required)
3	10104234	3/8-16 x 1-1/4 Hex Bolt (Two Required)
4	10107495	1/2-13 x 1-5/8" Grade 8 Hex Bolt (Eight Required)
5	10104711	1/2" Grade 8 Yellow Zinc Flat Washer (16 Required)
6	10107496	1/2"-13 Grade 8 Lock Nut (Eight Required)

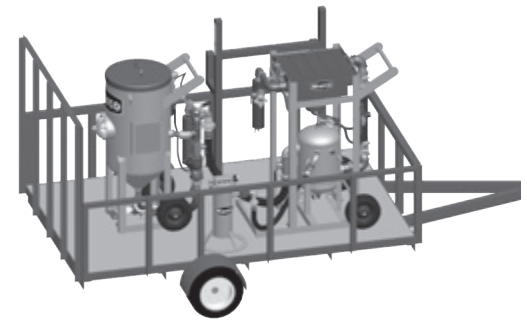
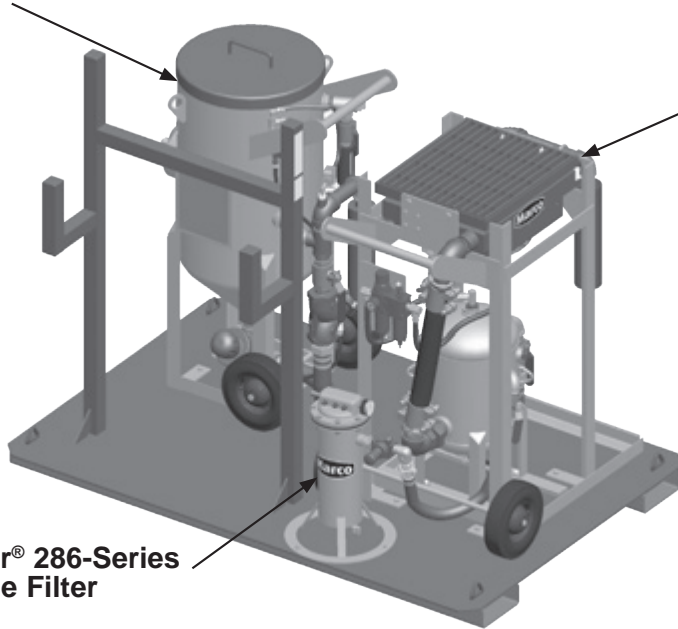
LITERATURE REFERENCES

3.5 Cu. Ft. Abrasive Blasting Systems Literature Reference Guide

**Blastmaster® 3.5 Cu. Ft.
Abrasive Blasting Pot**

**Blastmaster® 250 CFM Cart
Mounted Aftercooler with
Moisture Separator**

**Blastmaster® 286-Series
Airline Filter**



Trailer Mounted System

Abrasive Blasting Systems

106M339 Part Numbers and Schematics Guide

Blastmaster® 3.5 Cu. Ft. M-Series Abrasive Blasting Pot

106M057 Part Numbers and Schematics Guide

1090057 Operator's Manual

Blastmaster® 3.5 Cu. Ft. HP-Series Abrasive Blasting Pot

106M080 Part Numbers and Schematics Guide

1090080 Operator's Manual

Blastmaster® 250 CFM Aftercooler with Moisture Separator

106M091 Part Numbers and Schematics Guide

1090091 Operator's Manual

Blastmaster® 286-Series Airline Filter

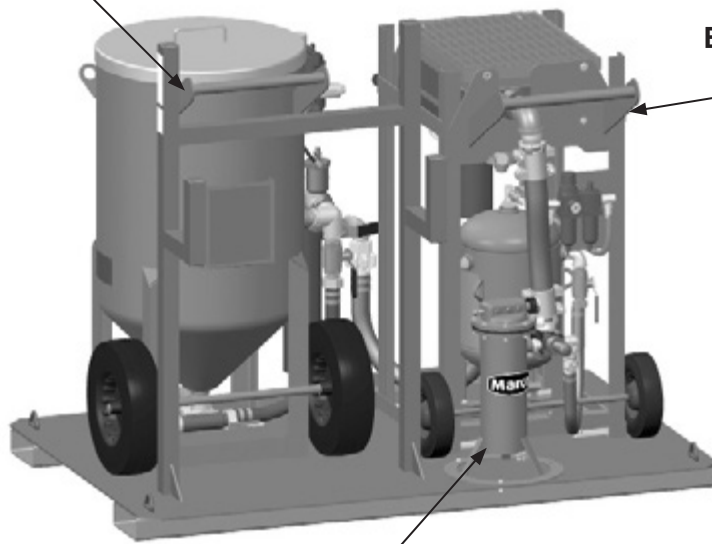
106M045 Part Numbers and Schematics Guide

1090045 Operator's Manual

LITERATURE REFERENCES

6.5 Cu. Ft. Abrasive Blasting Systems Literature Reference Guide

Blastmaster® 6.5 Cu. Ft. Abrasive Blasting Pot



Blastmaster® 400 CFM Cart Mounted Aftercooler with Moisture Separator



Blastmaster® 286-Series Airline Filter

Trailer Mounted System

Abrasive Blasting Systems

106M339 Part Numbers and Schematics Guide

Blastmaster® 6.5 Cu. Ft. M-Series Abrasive Blasting Pot

106M058 Part Numbers and Schematics Guide

1090058 Operator's Manual

Blastmaster® 6.5 Cu. Ft. HP-Series Abrasive Blasting Pot

106M082 Part Numbers and Schematics Guide

1090082 Operator's Manual

Blastmaster® 400 CFM Cart Mounted Aftercooler with Moisture Separator

106M108 Part Numbers and Schematics Guide

1090108 Operator's Manual

Blastmaster® 286-Series Airline Filter

106M045 Part Numbers and Schematics Guide

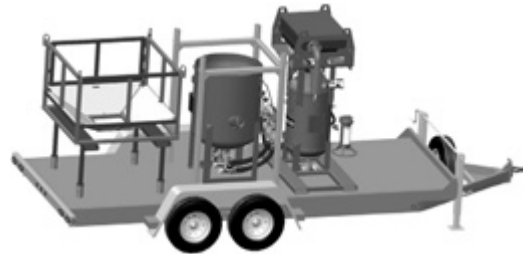
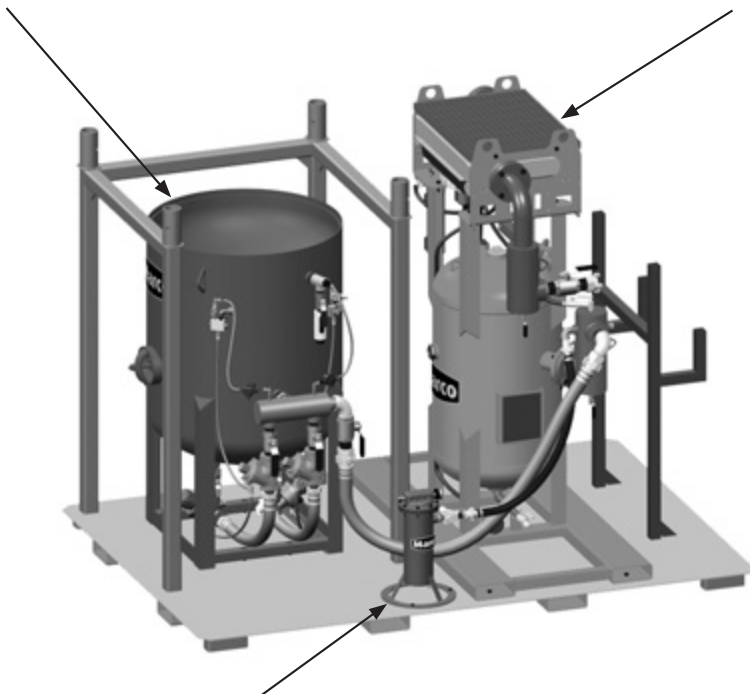
1090045 Operator's Manual

LITERATURE REFERENCES

20.0 Cu. Ft. Abrasive Blasting Systems Literature Reference Guide

Blastmaster® 20.0 Cu. Ft. Abrasive Blasting Pot

Blastmaster® 950 CFM Aftercooler with Coalescing Tank



Trailer Mounted System

Blastmaster® 286-Series Airline Filter

Abrasive Blasting Systems

106M339 Part Numbers and Schematics Guide

Blastmaster® 20.0 Cu. Ft. Abrasive Blasting Pot

106M125 Part Numbers and Schematics Guide

1090125 Operator's Manual

Blastmaster® 286-Series Airline Filter

106M045 Part Numbers and Schematics Guide

1090045 Operator's Manual

Blastmaster® 950 CFM Aftercooler with Coalescing Tank

106M078 Part Numbers and Schematics Guide

1090078 Operator's Manual

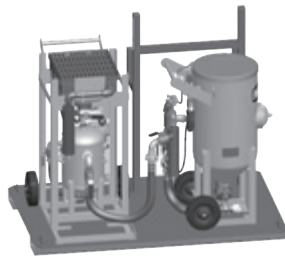
Blastmaster® Bulk Bag Racks

106M078 Part Numbers and Schematics Guide

1090078 Operator's Manual

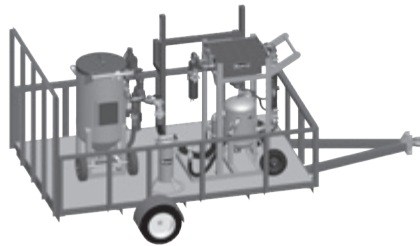
SPECIFICATIONS

3.5 Cu. Ft. Skid-Mounted Abrasive Blasting Systems



- » Height: 4 Feet, 10 Inches
- » Length: 6 Feet
- » Width: 4 Feet
- » Total System Dry Weight: 1,100 lbs.

3.5 Cu. Ft. Trailer-Mounted Abrasive Blasting Systems



- » Overall Trailer Length: 11 Feet, 7 Inches
- » Overall Trailer Width: 6 Feet, 6 Inches
- » Deck Length: 8 Feet
- » Deck Width: 5 Feet
- » Height: 6 Feet, 5 Inches
- » Overall System Dry Weight: 2,100 lbs.

3.5 Cu. Ft. M-Series 16' Trailer-Mounted Abrasive Blasting Systems



- » Overall Trailer Length: 22 Feet, 5 Inches
- » Overall Trailer Width: 8 Feet, 5 Inches
- » Deck Length: 18 Feet
- » Deck Width: 6 Feet, 5 Inches
- » Height: 6 Feet
- » Overall System Dry Weight: 3,500 lbs.

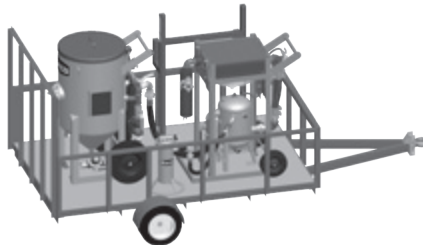
SPECIFICATIONS

6.5 Cu. Ft. Skid-Mounted Abrasive Blasting Systems



- » Height: 4 Feet, 10 Inches
- » Length: 6 Feet
- » Width: 4 Feet
- » Overall System Dry Weight: 1,200 lbs.

6.5 Cu. Ft. Trailer-Mounted Abrasive Blasting Systems



- » Overall Trailer Length: 11 Feet, 7 Inches
- » Overall Trailer Width: 6 Feet, 6 Inches
- » Deck Length: 8 Feet
- » Deck Width: 5 Feet
- » Height: 6 Feet, 5 Inches
- » Overall System Dry Weight: 2,200 lbs.

SPECIFICATIONS

20.0 Cu. Ft. Skid-Mounted Abrasive Blasting Systems



- » Height: 7 Feet, 6 Inches
- » Length: 9 Feet, 2 Inches
- » Width: 6 Feet, 6 Inches
- » Overall System Dry Weight: 4,500 lbs.

20.0 Cu. Ft. Trailer-Mounted Abrasive Blasting Systems



- » Overall Trailer Length: 28 Feet, 2 Inches
- » Overall Trailer Width: 6 Feet, 9 Inches
- » Deck Length: 18 Feet
- » Deck Width: 6 Feet 5 Inches
- » Height: 9 Feet, 3 Inches
- » Overall System Dry Weight: 6,500 lbs.

CONTACT CENTER

- 3425 East Locust Street
Davenport, IA 52803

ph: 800.BLAST.IT (800.252.7848)

ph: 563.324.2519

fax: 563.324.6258

REGIONAL BRANCH OFFICES

- **Iowa**
Davenport
- **Louisiana**
Gonzales
Lafayette
- **Ohio**
Youngstown
- **Texas**
Beaumont
Corpus Christi
Deer Park



ABRASIVES

BLASTING

COATING

DUST COLLECTION

RENTAL & SERVICE

SAFETY

VACUUMS

40+ NATIONWIDE SHIPPING LOCATIONS



★ Marco Regional Branch Offices
and Shipping Locations

● Direct Shipping Locations

CONTACT MARCO

800.BLAST.IT

(800.252.7848)

563.324.2519

FAX: 563.324.6258

WWW.MARCO.US

SALES@MARCO.US