

OPERATOR'S MANUAL

BLASTMASTER® 950 CFM AIR DRYER



BUILT MARCO TOUGH
MARCO MANUFACTURED

⚠ WARNING

Before using this equipment, read, understand and follow all instructions in the Operator's Manuals provided with this equipment. If the user and/or assistants cannot read or understand the warnings and instructions, the employer of the user and/or assistants must provide adequate and necessary training to ensure proper operation and compliance with all safety procedures pertaining to this equipment. If Operator's Manuals have been lost, please visit www.marco.us, or contact Marco at 563.324.2519 for replacements. Failure to comply with the above warning could result in death or serious injury.



Company Profile

Since 1944, Marco has developed a strong tradition of providing innovative and reliable products and services to the surface preparation and protective coatings industries. We are the world's premier provider of Abrasives, Blasting, Coating, Dust Collectors, Engineered Systems, Rental, Safety, Service, Repair, & Modernization, and Vacuums.

Through innovative designs and a total commitment to quality, Marco manufactures products that increase production rates, create a safer workplace, and reduce maintenance costs. Marco's industry experience, manufacturing capabilities, legendary customer service, product availability, logistics services, and technology leadership is your assurance that we deliver high quality products and services, providing the best value to you, our customer.

The Marco Difference

- **Industry Experience** – With Marco on your team, you have access to expertise which can only come from decades of industry leadership. We have organized our engineering department, production specialists, customer operations, and safety support into a “Center of Competence.” As a Marco customer, you have access to hundreds of years of cumulative experience related to your operations.
- **Manufacturing Excellence** – Marco is a U.S. based, ISO 9001:2008 certified manufacturer of equipment for the Surface Preparation and Protective Coatings industries. Marco's engineers benchmark the industry to ensure that we design and manufacture superior products that set the “Gold Standard” for performance, safety, and quality.
- **Legendary Customer Service** – Marco's legendary customer service team is staffed by friendly, highly-trained individuals who are focused on providing the highest level of product support, order accuracy, and customer satisfaction.
- **Product Availability** – We stock over 10,000 SKU's and have more than 45 shipping locations to serve North American and International markets for all major brands of blasting and coating equipment. As the largest provider of surface preparation and protective coatings equipment in the world, our inventory levels and product availability are unmatched.
- **Logistics Services** – Marco's in-house logistics team is dedicated to moving your shipment anywhere in the world. We move more than 14,000 truckloads every year, allowing you to save on freight costs by leveraging our buying power. Lower your process costs with a single invoice, which includes product and freight.
- **Technology Leadership** – Our website provides: Operator's Manuals, Part Numbers and Schematics Guides, SDS information, and Features & Specifications Guides, providing access to information 24/7. Our Extranet application allows you to receive quotes and place orders online. Our Intranet maintains a complete record of your purchase history to assist with ongoing support of your existing equipment and future purchasing decisions.

Vision Statement

Marco is the world's premier provider of Abrasives, Blasting, Coating, Dust Collectors, Engineered Systems, Rental, Safety, Service, Repair, & Modernization, and Vacuums.

Mission Statement

Marco provides strong leadership and innovation to the surface preparation and protective coatings industries. We dedicate our efforts to the continuous improvement of our products, services, processes, people, and most importantly, the quality of our customer's experience.

Quality Statement

Marco is committed to providing superior quality in the design, manufacturing, distribution, rental, service, and repair of our products. Our ISO 9001:2008 certification extends throughout all operations in all locations. Continuous improvement of our processes and supply chain Integration comprise the core of our business strategy for delivering exceptional quality and value in all Marco products and services.

Management Philosophy

We are a company dedicated to the success of every customer and associate. We discuss, debate, challenge, measure, and test our ideas. We will be boundless and limitless in our passion to improve. Through sound leadership and dedicated associates, we will ensure a long term, profitable future for Marco, our associates, customers, and suppliers.

TABLE OF CONTENTS

| | | | |
|---|--------------|--|--------------|
| Company Profile | 2 | Remove & Install Starter Box Assembly (<i>Electric Only</i>) | 21 |
| Definition of Terms | 3 | Remove & Install Aftercooler Assembly (<i>Pneumatic Only</i>) | 21 |
| Hazard Identifications | 4 | Remove & Install Aftercooler Assembly (<i>Electric Only</i>) | 22 |
| Air & Abrasive Consumption Chart | 7 | Remove & Install Tank Drain Assembly | 23 |
| Daily Pre-Operation Checklist | 9 | Remove & Install Muffler and Hose Assembly (<i>Pneumatic Only</i>) | 23 |
| Operating Instructions | 10-16 | Disassemble and Assemble Transfer Hose Assembly | 24 |
| Description | 10 | Maintenance Schedules Quick Reference Charts .. | 25 |
| Operating Instructions | 12 | Short-Term Storage Procedure | 26 |
| Loading the Blastmaster® 950 CFM Air Dryer | 16 | Long-Term Storage Procedure | 27 |
| Specifications | 17 | Troubleshooting | 28-29 |
| Maintenance | 18-27 | Limited Warranty | 31 |
| Remove & Install Inspection Door | 18 | Disclaimer of Warranty | 31 |
| Remove & Install Transfer Hose Assembly | 18 | Exclusive Remedy for Warranty Claims | 31 |
| Remove & Install Outlet Filter Assembly (<i>Pneumatic Only</i>) | 19 | Limitation of Remedies | 31 |
| Remove & Install Outlet Filter Assembly (<i>Electric Only</i>) | 19 | | |
| Remove & Install Air Filter/Regulator/Lubricator Assembly (<i>Pneumatic Only</i>) | 20 | | |
| Remove & Install Intake Filter Assembly | 20 | | |

DEFINITION OF TERMS

DANGER

This is an example of danger. This indicates an imminently hazardous situation which, if not avoided, will result in death or serious injury.

CAUTION

This is an example of a caution. This indicates a potentially hazardous situation which, if not avoided, may result in minor or moderate injury. It can also be used to alert against unsafe practices.

WARNING

This is an example of a warning. This indicates a potentially hazardous situation which, if not avoided, could result in death or serious injury.

NOTICE

This is an example of a notice. This indicates policy or practice directly related to safety of personnel or protection of property.

HAZARD IDENTIFICATIONS

WARNING

Failure to comply with ANY WARNING listed below could result in death or serious injury.

- ▶ OSHA sets exposure limits to protect workers from exposure to respirable crystalline silica, 29 CFR 1910.1053. Airborne dust could increase the exposure levels beyond permissible limits. Breathing dust containing silica could cause silicosis, a fatal lung disease. Breathing dust during abrasive blasting operations, post-blast cleaning operations, and/or servicing equipment within the abrasive blasting area may expose an individual to conditions that could cause asbestosis, lead poisoning and/or other serious or fatal diseases. Harmful dust containing toxic material from abrasives or surfaces being abrasive blasted can remain suspended in the air for long periods of time after abrasive blasting has ceased. A NIOSH-approved, well-maintained, respirator designed for the specific operation being performed must be used by anyone abrasive blasting, handling or using the abrasive, and anyone in the area of the dust.
- ▶ Contact NIOSH and OSHA offices to determine the proper respirator for your specific application. The air supplied to the respirator must be at least Grade D quality as described in Compressed Gas Association Commodity Specification G-7.1 and as specified by OSHA Regulation 1910.134. Ensure air filter and respirator system hoses are not connected to non-air sources or in-plant lines that may contain nitrogen, oxygen, acetylene or other non-breathable gases. Before removing respirator, use an air monitoring instrument to determine if the atmosphere is safe to breathe.
- ▶ You must comply with all OSHA, local, City, State, Province, Country and jurisdiction regulations, ordinances and standards, related to your particular work area and environment. Keep unprotected individuals out of the work area.
- ▶ Abrasive blasting operators must receive thorough training on the use of abrasive resistant attire which includes: supplied-air respirator, abrasive blasting suit, safety shoes, gloves, ear protection and eye protection. Protect the operator and bystanders by complying with NIOSH and OSHA Safety Standards.
- ▶ Inspect all equipment for wear or damage before and after each use. Failure to use Original Equipment Manufacturer repair parts and failure to immediately replace worn or damaged components could void warranties and cause malfunctions.
- ▶ OSHA requires abrasive blasting nozzles be equipped with an operating valve, which shall be designed to be held open only by continuous hand pressure and shall close immediately upon release of hand pressure (i.e., a “deadman” control). The valve shall not be modified in any manner that would allow it to remain open without the application of continuous hand pressure by the operator. Failure to comply with the above warning could result in release of high speed abrasive and compressed air resulting in death or serious injury. OSHA 29CFR 1910.244(b)
- ▶ Point the abrasive blasting nozzle only at the surface being abrasive blasted. Never point the abrasive blasting nozzle or abrasive stream at yourself or others.
- ▶ Unless otherwise specified, maximum working pressure of abrasive blasting pots and related components must not exceed 150 psi. Exceeding maximum working pressure of 150 psi could cause the abrasive blasting pot and components to burst. Failure to comply with the above warning could result in death or serious injury.
- ▶ Never weld, grind or drill on the abrasive blasting pot (or any pressure vessel). Doing so will void ASME certification and manufacturer’s warranty. Welding, grinding or drilling on the abrasive blasting pot (or any pressure vessel) could weaken the vessel causing it to burst. Failure to comply with the above warning could result in death or serious injury. (ASME Pressure Vessel Code, Section VIII, Division 1)
- ▶ This equipment is not intended for use in any area that might be considered a hazardous location, as described in the National Electric Code NFPA 70, Article 500. Use of this equipment in a hazardous location could cause an explosion or electrocution.
- ▶ Never attempt to move an abrasive blasting pot containing abrasive. Never attempt to manually move abrasive blasting pots greater than 6.5 cubic foot capacity. Always use at least two capable people to manually move an abrasive blasting pot on flat, smooth surfaces. A mechanical lifting device must be used if an abrasive blasting pot is moved in any other manner.

HAZARD IDENTIFICATIONS

WARNING

Failure to comply with ANY WARNING listed below could result in death or serious injury.

- ▶ This product is not for use in wet environments. Always use a Ground Fault Interrupter Circuit (GFI) for all electrical power source connections. Use of this product in wet environments could create a shock or electrocution hazard.
- ▶ Frozen moisture could cause restrictions and obstructions in pneumatic control lines. Any restriction or obstruction in the pneumatic control lines could prevent the proper activation and deactivation of the remote control system, resulting in the release of high speed abrasive and compressed air. In conditions where moisture may freeze in the control lines an antifreeze injection system approved for this application can be installed.
- ▶ Do not cut, obstruct, restrict or pinch pneumatic control lines. Doing so could prevent the proper activation and deactivation of the remote control system, resulting in the release of high speed abrasive and compressed air.
- ▶ Use of Marco remote control switches with other manufacturer's remote control systems could cause unintended activation of remote control systems resulting in the release of high speed abrasive and compressed air. Only Marco remote control switches should be used with Marco remote control systems.
- ▶ Always be certain to have secure footing when abrasive blasting. There is a recoil hazard when abrasive blasting starts that may cause user to fall and misdirect the abrasive stream at operator or bystander.
- ▶ Never use an abrasive blasting pot or attachments as a climbing device. The person could slip and fall. The abrasive blasting pot could become unstable and tip over.
- ▶ For equipment manufactured by entities other than Marco, you must consult the Original Equipment Manufacturer operator's manuals, information, training, instructions and warnings, for the proper and intended use of all equipment.
- ▶ Flammable fumes, such as solvent and paint fumes in the work area can present an ignition or explosion hazard if allowed to collect in adequate concentrations. To reduce conditions that could result in a fire or an explosion, provide adequate ventilation, eliminate all ignition or spark sources, keep the work area free of debris, store solvents and solvent contaminated rags in approved containers, follow proper grounding procedures, do not plug/unplug power cord or turn on/off power switches when flammable fumes are present, keep a working fire extinguisher or provide another fire suppression system in the work area. Cease all operations and correct condition if a spark or ignition source is identified during operation.
- ▶ Always depressurize the entire system, disconnect all power sources and lockout/tagout all components before any maintenance or troubleshooting is attempted. Failure to comply with the above warning could cause electrical shock and inadvertent activation of equipment resulting in death or serious injury.
- ▶ Moving parts can present an area where crushing, pinching, entanglement or amputation may occur. Do not place body parts or foreign objects in any area where there are moving parts.
- ▶ Surfaces of heated supply tanks, drums and/or lines as well as the adjoining plumbing may become hot during normal use. Do not touch these heated surfaces without proper protection. Deactivate and allow sufficient time for all surfaces to cool before attempting any maintenance.
- ▶ High-pressure fluid from gun, hose leaks, or ruptured components can pierce skin and can cause a serious injury that may result in amputation. Do not point gun or spray tip at anyone or at any part of the body. Keep clear of any leaks or ruptures. Depressurize the entire system before attempting cleaning, inspecting, or servicing equipment.
- ▶ Exposure to toxic fluids or fumes may occur during the normal operation of this system. Before attempting to fill, use, or service this system, read SDS's to know the specific hazards of the fluids you are using. Always use proper Personal Protective Equipment when attempting to fill, use, or service this system.
- ▶ The use of this product for any purpose other than originally intended or altered from its original design is prohibited.
- ▶ Never hang objects from the abrasive blasting pot handle. Doing so may cause the abrasive blasting pot to become unstable and tip over.

HAZARD IDENTIFICATIONS

CAUTION

Failure to comply with ANY CAUTION listed below may result in minor or moderate injury.

- ▶ Static electricity can be generated by abrasive moving through the abrasive blasting hose causing a shock hazard. Prior to use, ground the abrasive blasting pot and abrasive blasting nozzle to dissipate static electricity.
- ▶ High decibel noise levels are generated during the abrasive blasting process which may cause loss of hearing. Ensure appropriate Personal Protective Equipment and hearing protection is in use.

NOTICE

Failure to comply with ANY NOTICE listed below could pose a hazard to personnel or property.

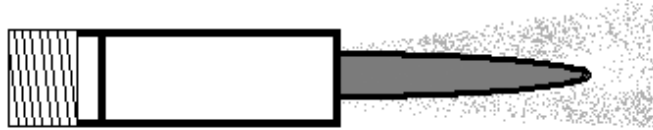
- ▶ See Air & Abrasive Consumption Chart for estimated abrasive consumption rates and required air flow (cubic feet per minute). Your system must meet these minimum requirements to ensure proper function and performance.
- ▶ Always use abrasive that is dry and properly screened. This will reduce the potential for obstructions to enter the remote control system, abrasive metering valve and abrasive blasting nozzle.
- ▶ Moisture build-up occurs when air is compressed. Any moisture within the abrasive blasting system will cause abrasive to clump, clogging metering valves, hoses and nozzles. Install an appropriately sized moisture separator at the inlet of the abrasive blasting system. Leave the moisture separator petcock slightly open to allow for constant release of water. If insufficient volume of air exists and petcock is unable to be left open (at all times) petcock should be opened frequently to release water.
- ▶ To reduce abrasive intrusion in the air supply hose, depressurize the abrasive blasting pot before shutting off air supply from compressor.
- ▶ Inspect abrasive blasting nozzle before placing into service. Damage to abrasive blasting nozzle liner or jacket may occur during shipping. If you receive a damaged abrasive blasting nozzle, contact your distributor immediately for replacement. Abrasive blasting nozzles placed into service may not be returned. Abrasive blasting nozzle liners are made of fragile materials and can be damaged by rough handling and striking against hard surfaces. Never use a damaged abrasive blasting nozzle.
- ▶ Abrasive blasting at optimal pressure for the abrasive used is critical to productivity. Example: For an abrasive with an optimal abrasive blasting pressure of 100 psi at the abrasive blasting nozzle, one pound per square inch of pressure loss will reduce abrasive blasting efficiency by 1.5%. A 10 psi reduction in air pressure will cause a 15% loss of efficiency. Use a Needle Pressure Gauge to identify pressure drops in your system. Consult with your abrasive supplier for the requirements of your abrasive.
- ▶ Replace abrasive blasting nozzle if liner or jacket is cracked or damaged. Replace abrasive blasting nozzle if original orifice size has worn 1/16" or more. Determine abrasive blasting nozzle wear by inserting a drill bit 1/16" larger than original size of abrasive blasting nozzle orifice. If the drill bit passes through abrasive blasting nozzle, replacement is needed.

AIR & ABRASIVE CONSUMPTION CHART

NOTICE

Failure to comply with ANY NOTICE listed below could pose a hazard to personnel or property.

- ▶ See Air & Abrasive Consumption Chart for estimated abrasive consumption rates and required air flow (cubic feet per minute). Your system must meet these minimum requirements to ensure proper function and performance.
- ▶ When it comes to air & abrasive mixtures, more is not necessarily better. Optimum abrasive blasting efficiency takes place when a lean air & abrasive mixture is used. To correctly set the abrasive metering valve, begin with the valve fully closed and slowly increase the amount of abrasive entering the airstream. As you increase the abrasive flow, watch for a “blue flame” at the exit of the abrasive blasting nozzle. Faster cutting, reduced abrasive consumption and lower clean up costs, are benefits of the “blue flame”.
- ▶ Abrasive blasting at optimal pressure for the abrasive used is critical to productivity. Example: For an abrasive with an optimal abrasive blasting pressure of 100 psi at the abrasive blasting nozzle, one pound per square inch of pressure loss will reduce abrasive blasting efficiency by 1.5%. A 10 psi reduction in air pressure will cause a 15% loss of efficiency. Use a Needle Pressure Gauge to identify pressure drops in your system. Consult with your abrasive supplier for the requirements of your abrasive.



“Blue Flame”

Air & Abrasive Consumption Chart*

NOTICE

Inspect abrasive blasting nozzle before placing into service. Damage to abrasive blasting nozzle liner or jacket may occur during shipping. If you receive a damaged abrasive blasting nozzle, contact your distributor immediately for replacement. Abrasive blasting nozzles placed into service may not be returned. Abrasive blasting nozzle liners are made of fragile materials and can be damaged by rough handling and striking against hard surfaces. Never use a damaged abrasive blasting nozzle.

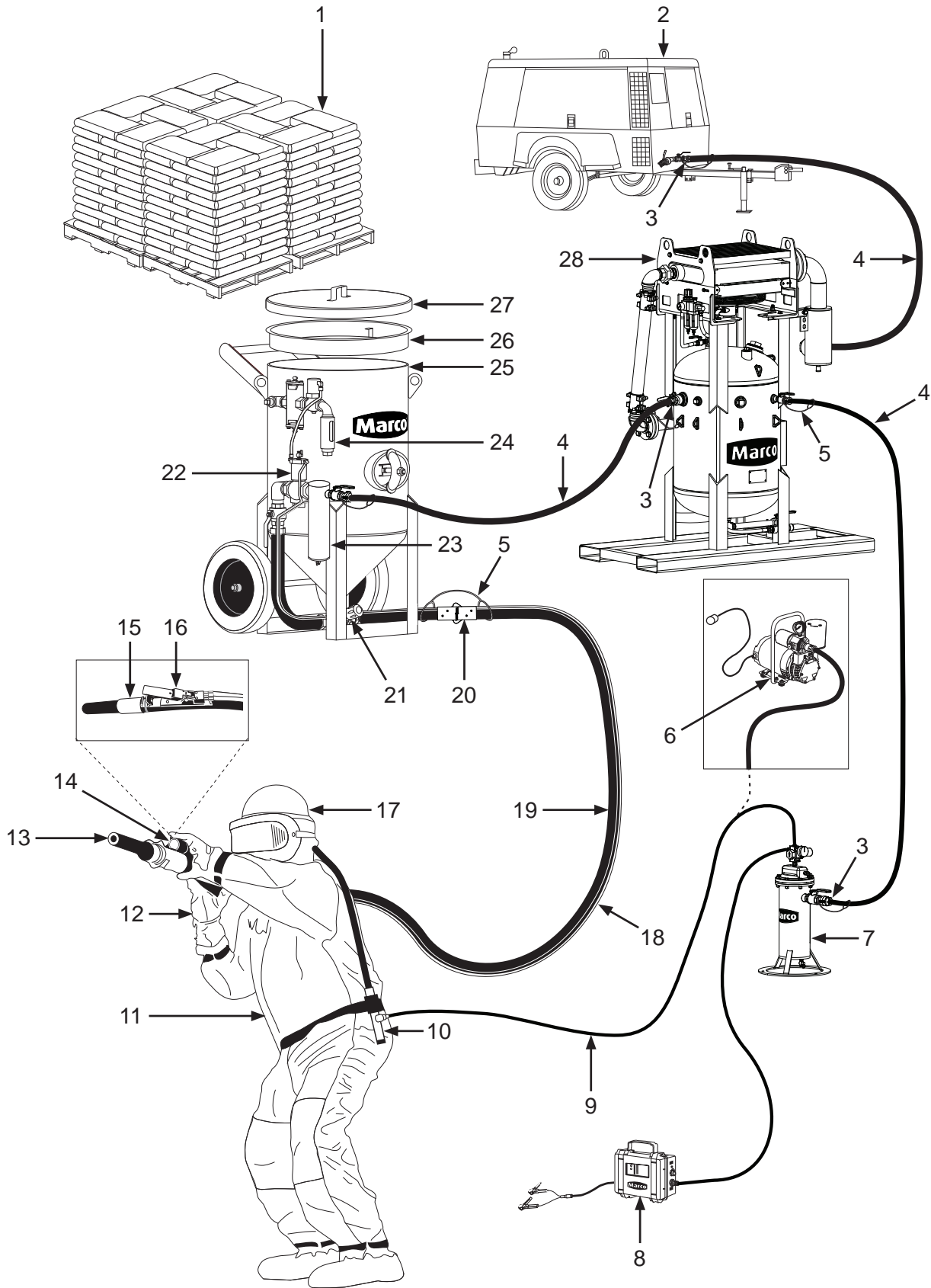
| Nozzle Orifice | Pressure at the Nozzle (PSI) | | | | | | | | Air (in cfm), Abrasive & Compressor Requirements |
|------------------|------------------------------|------|------|-------|------|-------|------|------|--|
| | 50 | 60 | 70 | 80 | 90 | 100 | 125 | 140 | |
| No. 2 (1/8") | 11 | 13 | 15 | 17 | 18 | 20 | 25 | 28 | Air (cfm) |
| | 67 | 77 | 88 | 101 | 112 | 123 | 152 | 170 | Abrasive (lbs/hr) |
| | 2.5 | 3 | 3.5 | 4 | 4.5 | 5 | 5.5 | 6.2 | Compressor Horsepower |
| No. 3 (3/16") | 26 | 30 | 33 | 38 | 41 | 45 | 55 | 62 | Air (cfm) |
| | 150 | 171 | 196 | 216 | 238 | 264 | 319 | 357 | Abrasive (lbs/hr) |
| | 6 | 7 | 8 | 9 | 10 | 10 | 12 | 13 | Compressor Horsepower |
| No. 4 (1/4") | 47 | 54 | 61 | 68 | 74 | 81 | 98 | 110 | Air (cfm) |
| | 268 | 312 | 354 | 408 | 448 | 494 | 608 | 681 | Abrasive (lbs/hr) |
| | 11 | 12 | 14 | 16 | 17 | 18 | 22 | 25 | Compressor Horsepower |
| No. 5 (5/16") | 77 | 89 | 101 | 113 | 126 | 137 | 168 | 188 | Air (cfm) |
| | 468 | 534 | 604 | 672 | 740 | 812 | 982 | 1100 | Abrasive (lbs/hr) |
| | 18 | 20 | 23 | 26 | 28 | 31 | 37 | 41 | Compressor Horsepower |
| No. 6 (3/8") | 108 | 126 | 143 | 161 | 173 | 196 | 237 | 265 | Air (cfm) |
| | 668 | 764 | 864 | 960 | 1052 | 1152 | 1393 | 1560 | Abrasive (lbs/hr) |
| | 24 | 28 | 32 | 36 | 39 | 44 | 52 | 58 | Compressor Horsepower |
| No. 7 (7/16") | 147 | 170 | 194 | 217 | 240 | 254 | 314 | 352 | Air (cfm) |
| | 896 | 1032 | 1176 | 1312 | 1448 | 1584 | 1931 | 2163 | Abrasive (lbs/hr) |
| | 33 | 38 | 44 | 49 | 54 | 57 | 69 | 77 | Compressor Horsepower |
| No. 8 (1/2") | 195 | 224 | 252 | 280 | 309 | 338 | 409 | 458 | Air (cfm) |
| | 1160 | 1336 | 1512 | 1680 | 1856 | 2024 | 2459 | 2754 | Abrasive (lbs/hr) |
| | 44 | 50 | 56 | 63 | 69 | 75 | 90 | 101 | Compressor Horsepower |
| No. 10 (5/8") | 308 | 356 | 404 | 452 | 504 | 548 | 663 | 742 | Air (cfm) |
| | 1875 | 2140 | 2422 | 2690 | 2973 | 3250 | 3932 | 4405 | Abrasive (lbs/hr) |
| | 68.5 | 79.5 | 90 | 100.5 | 112 | 122 | 146 | 165 | Compressor Horsepower |
| No. 12 (3/4") | 432 | 504 | 572 | 644 | 692 | 784 | 948 | 1062 | Air (cfm) |
| | 2672 | 3056 | 3456 | 3840 | 4208 | 4608 | 5570 | 6238 | Abrasive (lbs/hr) |
| | 96 | 112 | 127 | 143 | 154 | 174.5 | 209 | 236 | Compressor Horsepower |

*Abrasive consumption is based on abrasive with a bulk density of 100 lbs per Cubic Foot

NOTICE

Replace abrasive blasting nozzle if liner or jacket is cracked or damaged. Replace abrasive blasting nozzle if original orifice size has worn 1/16" or more. Determine abrasive blasting nozzle wear by inserting a drill bit 1/16" larger than original size of abrasive blasting nozzle orifice. If the drill bit passes through abrasive blasting nozzle, replacement is needed.

“THE BIG PICTURE”



DAILY PRE-OPERATION CHECKLIST

Daily Pre-operation Checklist

- 1. Abrasive
- 2. Air Compressor
- 3. Air Hose Couplings & Gaskets
- 4. Air Hose
- 5. Safety Cable
- 6. Ambient Air Pump*
- 7. Breathing Air Filter
- 8. CO Monitor
- 9. Breathing Line
- 10. Climate Control Device
- 11. Abrasive Blasting Suit
- 12. Gloves
- 13. Abrasive Blasting Nozzle
- 14. Lighting System*
- 15. Abrasive Blasting Nozzle Holder
- 16. Remote Control Switch
- 17. Supplied-Air Respirator
- 18. Control Line
- 19. Abrasive Blasting Hose
- 20. Abrasive Blasting Hose Couplings & Gaskets
- 21. Abrasive Metering Valve
- 22. Remote Control System
- 23. Moisture Separator
- 24. Abrasive Blasting Pot Exhaust Muffler
- 25. Abrasive Blasting Pot
- 26. Abrasive Blasting Pot Screen
- 27. Abrasive Blasting Pot Lid
- 28. Aftercooler*

* *Optional or alternative device. Ask your Marco Representative for more details.*

Abrasive – Select the correct Abrasive (1) for the application. Review the SDS (*Safety Data Sheet*) to ensure the correct PPE (*Personal Protective Equipment*) and Environmental Controls have been selected and are in place.

Air Compressor – Select an Air Compressor (2) of adequate size to support all equipment requirements. Refer to “Air & Abrasive Consumption Chart” for Abrasive Blasting Nozzle (13) air consumption requirements. Before connecting Air Hose (4), sample the air being produced by the air compressor (2) to ensure it is free of petroleum contaminants.

Air Hose, and Air Hose Couplings & Gaskets – Select Air Hoses (4) of sufficient size to support all subsequent volumetric requirements and with a sufficient PSI (*pound per square inch*) rating. Inspect all Air Hoses (4), and Air Hose Couplings & Gaskets (3) for damage or wear. Repair or replace damaged or worn components.

Abrasive Blasting Hose, Abrasive Blasting Hose Couplings & Gaskets, and Abrasive Blasting Nozzle Holder – Select an Abrasive Blasting Hose (19) that has an inner diameter 3 to 4 times larger than your Abrasive Blasting Nozzle (13). Inspect Abrasive Blasting Hose (19), Abrasive Blasting Hose Couplings & Gaskets (20), and Abrasive Blasting Nozzle Holder (15) for damage or wear. Repair or replace damaged or worn components.

Safety Cables – Install a Safety Cable (5) at each Abrasive Blasting Hose (19), and Air Hose (4) connection points.

Aftercooler and Moisture Separator – Ensure Aftercooler (28) is positioned on stable ground. Keep petcock drain of Moisture Separator (23) slightly open during use. Drain both devices after each use.

Supplied-Air Respirator, Breathing Line, Breathing Air Filter, Climate Control Device, CO Monitor, Ambient Air Pump – You MUST consult the Operator’s Manual supplied with your Respiratory Equipment (6, 7, 8, 9, 10, 17) for ALL applicable instructions and warnings. Inspect all Respiratory Equipment components for damage or wear. Repair or replace damaged or worn components.

Abrasive Blasting Suit and Gloves – Select an abrasive-resistant Abrasive Blasting Suit (11) that is slightly oversized to allow ease of movement and allows air to flow around your body. Select abrasive-resistant Gloves (12) with a tight fit and a long cuff that overlaps the sleeve of the Abrasive Blasting Suit (11).

Abrasive Metering Valve and Abrasive Blasting Pot – Confirm Abrasive Blasting Pot (25) is positioned on stable ground. Inspect Abrasive Blasting Pot (25) and Abrasive Metering Valve (21) for damage or wear. Repair or replace damaged or worn components.

Abrasive Blasting Pot Screen and Abrasive Blasting Pot Lid – Always use an Abrasive Blasting Pot Screen (26) when filling Abrasive Blasting Pot (25) with Abrasive (1) to prevent debris from entering the Abrasive Blasting Pot (25). Remove Abrasive Blasting Pot Lid (27) before operating the Abrasive Blasting Pot (25). Install Abrasive Blasting Pot Lid (27) after use to protect the Abrasive Blasting Pot’s (25) interior.

Remote Control System, Remote Control Switch, Control Line, – Inspect Remote Control System (22) and Control Line (18) for damage or wear. Repair or replace damaged or worn components. Ensure Control Line (18) fittings connected to the Remote Control System (22) are tight and free of leaks. Ensure Remote Control Switch (16) is functioning properly. Consult Remote Control Switch Operator’s Manual for applicable instructions.

Abrasive Blasting Pot Exhaust Muffler – Inspect Abrasive Blasting Pot Exhaust Muffler (24) at start and end of daily use. Replace element of Abrasive Blasting Pot Exhaust Muffler (24) per Operator’s Manual instructions.

Lighting System – Ensure the Lighting System (14) is connected to a proper power supply before use.

OPERATING INSTRUCTIONS

WARNING

Inspect all equipment for wear or damage before and after each use. Failure to use Original Equipment Manufacturer repair parts and failure to immediately replace worn or damaged components could void warranties and cause malfunctions. Failure to comply with the above warning could result in death or serious injury.

WARNING

This product is not for use in wet environments. Always use a Ground Fault Interrupter Circuit (GFI) for all electrical power source connections. Use of this product in wet environments could create a shock or electrocution hazard. Failure to comply with the above warning could result in death or serious injury.

WARNING

This equipment is not intended for use in any area that might be considered a hazardous location, as described in the National Electric Code NFPA 70, Article 500. Use of this equipment in a hazardous location could cause an explosion or electrocution. Failure to comply with the above warning could result in death or serious injury.

WARNING

W-556

All electrical connections are to be made by a qualified electrician in accordance with all applicable codes, ordinances and good practices. Failure to comply with the above warning could result in death or serious injury.

Description

The Blastmaster® 950 CFM Air Dryer removes up to 99% of moisture, oil, and other debris commonly found in compressed air. Dry air eliminates wet abrasive that leads to clogged metering valves and excessive equipment wear, air motor freeze-up, and contamination of coatings. Removing moisture from the compressed air is a three-stage process. The first stage passes the compressed air through a heat exchanging aftercooler, lowering the temperature of the air. This brings the air closer to the dew point temperature and allows condensation to occur. The second stage maximizes the dwell time by forcing the air to rapidly expand in to the pressure tank. This action releases additional energy in the form of heat, further cooling the air. In the third stage, the air passes through moisture-absorbing desiccant tablets, removing water vapor suspended in the compressed air. Combining these three actions into a design that provides the maximum dwell time, the Blastmaster® 950 CFM Air Dryer out performs other passive air tanks or stand-alone aftercoolers! Typical applications include blast rooms, blast yards, bridges, oil refineries, pipelines, shipyards, and storage tanks.

Operational Requirements

Pneumatic:

- Air supply of 55 cfm @ 60 psi.

The following may cause safety hazards or reduced performance:

- Improper installation and/or maintenance of components.
- Incorrect disassembly and/or incorrect reassembly.
- Allowing heat exchanger to become obstructed or coated with dust/dirt.
- Improper air supply pressure and/or volume.
- Insufficient volume of desiccant.
- Not maintaining lubrication for air motor.

Electric:

- Have a qualified electrician connect 115 volts or 230 volts (depending on unit purchased), 60 Hz, Single Phase power source to control box and fan motor.

The following may cause safety hazards or reduced performance:

- Improper installation and/or maintenance of components.
- Incorrect disassembly and/or incorrect reassembly.
- Allowing heat exchanger to become obstructed or coated with dust/dirt.
- Improper electric supply.
- Insufficient volume of desiccant.

OPERATING INSTRUCTIONS

Pneumatic



Electric



OPERATING INSTRUCTIONS

WARNING

Inspect all equipment for wear or damage before and after each use. Failure to use Original Equipment Manufacturer repair parts and failure to immediately replace worn or damaged components could void warranties and cause malfunctions. Failure to comply with the above warning could result in death or serious injury.

WARNING

This product is not for use in wet environments. Always use a Ground Fault Interrupter Circuit (GFCI) for all electrical power source connections. Use of this product in wet environments could create a shock or electrocution hazard. Failure to comply with the above warning could result in death or serious injury.

WARNING

This equipment is not intended for use in any area that might be considered a hazardous location, as described in the National Electric Code NFPA 70, Article 500. Use of this equipment in a hazardous location could cause an explosion or electrocution. Failure to comply with the above warning could result in death or serious injury.

WARNING

W-578

Transporting, lifting, or moving this device must be in accordance with applicable OSHA standards and ASME B30 standards, as well as any applicable local, state, or federal requirements. Failure to comply with the above warning could result in death or serious injury.

Operating Instructions

Pneumatic

Before use:

- Ensure the Blastmaster® 950 CFM Air Dryer unit is placed on a flat, solid, level surface capable of supporting the unit's weight and is in a stable position.
- Inspect unit for loose fittings, bolts, or damage. Tighten any loose fittings or bolts and replace any damaged components before use. Ensure Inspection Door (4) is secure.
- Inspect Aftercooler (3), Fan Blades (2), and Air Motor (1) for dust, dirt, debris or obstructions. Clean or clear away any foreign matter.
- Using a screw driver or similar device, gently rotate Fan Blades (2) to confirm free movement. If the Fan Blades do not move freely, remove obstruction or replace Air Motor (1) before use.
- Remove and inspect Air Motor Lubricator Bowl (12) for debris. If debris is found, drain, then clean bowl. Fill Lubricant Bowl with SAE 10 detergent motor oil or a winter grade pneumatic tool lubricant/antifreeze, then install.
- Open all Drain Valves (6,7,11,16) fully to release any liquid. Close Drain Valves once liquid stops flowing.
- Check desiccant tablet levels using Sight Glass (5). See Loading the Blastmaster® 950 CFM Air Dryer.
- Connect air hose to Air Outlet (8).
- Connect air hose from compressor to Air Inlet (10).
- Slowly turn on air supply to unit, looking and listening for leaks. If leaks are found, turn off air supply, open Drain (6), allow air pressure to completely release and address leaks, as needed.
- Slightly open Drain Valves (6,7,11,16) to release collected moisture.
- Slowly open Air Supply Ball Valve (9) to Air Motor Lubricator (13).
- Adjust Air Motor Pressure Regulator (15) to 60 PSI for proper Cooling Fan speed. Watch the lubricant flow through the combination Control Knob/Site Dome (14) on top of the Air Motor Lubricator (13), adjust the flow to one drop per minute.

Note: Failure to maintain lubrication of Air Motor (1) will cause the motor to fail.

- Slowly turn on air supply to connected device(s). If leaks are found, turn off air supply, open Drain (6), allow air pressure to completely release and address leaks, as needed.

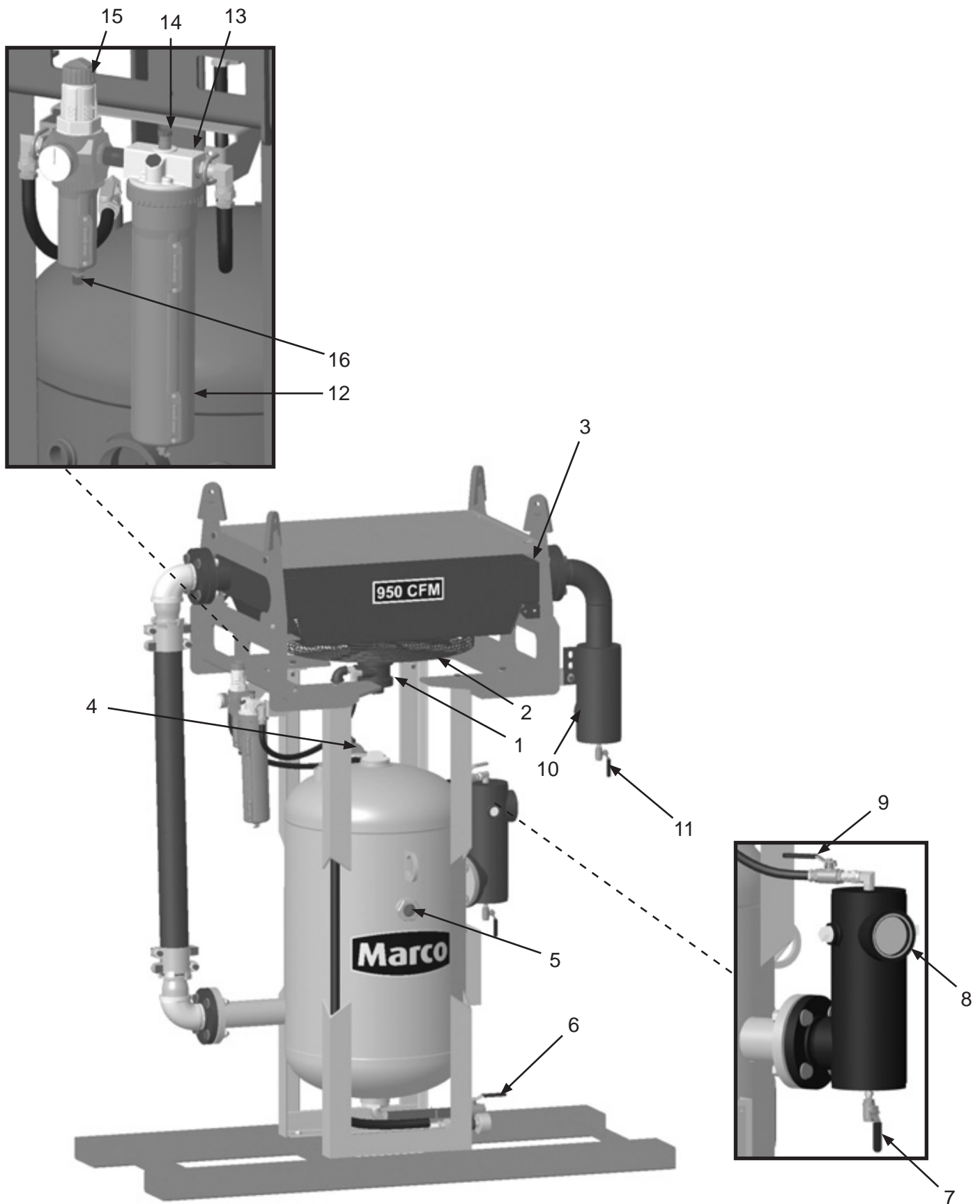
During use:

- Every hour, observe lubricant level (12) in Air Motor Lubricator (13). Add lubricant through In-use Filler (*Not Shown*), if necessary.
- Observe Drain Valves (6,7,11,16) for release of liquids. If no liquid is being released, adjust as needed.
- Observe desiccant levels through Sight Glass (5).

After use:

- Turn off air supply to connected device(s).
- Turn off air supply to unit.
- Close Air Supply Ball Valve (9) to Air Motor Lubricator (13).
- Slowly open Drain Valves (6,7,11) to release collected liquid and stored compressed air.
- Once all pressure is released, disconnect air hose from Air Inlet (10) and Air Outlet (8).
- Close all Drain Valves (6,7,11,16).
- Cover or move unit inside for storage.

OPERATING INSTRUCTIONS



OPERATING INSTRUCTIONS

WARNING

Inspect all equipment for wear or damage before and after each use. Failure to use Original Equipment Manufacturer repair parts and failure to immediately replace worn or damaged components could void warranties and cause malfunctions. Failure to comply with the above warning could result in death or serious injury.

WARNING

This product is not for use in wet environments. Always use a Ground Fault Interrupter Circuit (GFI) for all electrical power source connections. Use of this product in wet environments could create a shock or electrocution hazard. Failure to comply with the above warning could result in death or serious injury.

WARNING

This equipment is not intended for use in any area that might be considered a hazardous location, as described in the National Electric Code NFPA 70, Article 500. Use of this equipment in a hazardous location could cause an explosion or electrocution. Failure to comply with the above warning could result in death or serious injury.

WARNING

W-578

Transporting, lifting, or moving this device must be in accordance with applicable OSHA standards and ASME B30 standards, as well as any applicable local, state, or federal requirements. Failure to comply with the above warning could result in death or serious injury.

Electric

Before use:

- Ensure the Blastmaster® 950 CFM Air Dryer is placed on a flat, solid, level surface capable of supporting the unit's weight and is in a stable position.
- Inspect unit for loose fittings, bolts, or damage. Tighten any loose fittings or bolts and replace any damaged components before use. Ensure Inspection Door (7) is secure.
- Inspect Aftercooler (3), Fan Blades (2), and Electric Motor (1) for dust, dirt, debris or obstructions. Clean or clear away any foreign matter.
- Using a screw driver or similar device, gently rotate Fan Blades (2) to confirm free movement. If Fan Blades do not move freely, remove obstruction or repair Electric Motor (1) before use.
- Open Drain Valves (9,10,13) fully to release any liquid. Close Drain Valves once liquid stops flowing.
- Check desiccant tablet levels using Sight Glass (8). See Loading the Blastmaster® 950 CFM Air Dryer.
- Connect air hose from compressor to Air Inlet (12).
- Connect air hose to Air Outlet (11).
- Slowly turn on air supply to unit, looking and listening for leaks. If leaks are found, turn off air supply, open Drain (9), allow air pressure to completely release and address leaks, as needed.
- Slightly open Drain Valves (9,10,13) to release collected moisture.
- Start Electric Motor (1) by pressing "Start" (5) on Starter Box (6).
- Slowly turn on air supply to connected device(s). If leaks are found, turn off air supply, open Drain (9), allow air pressure to completely release and address leaks, as needed.

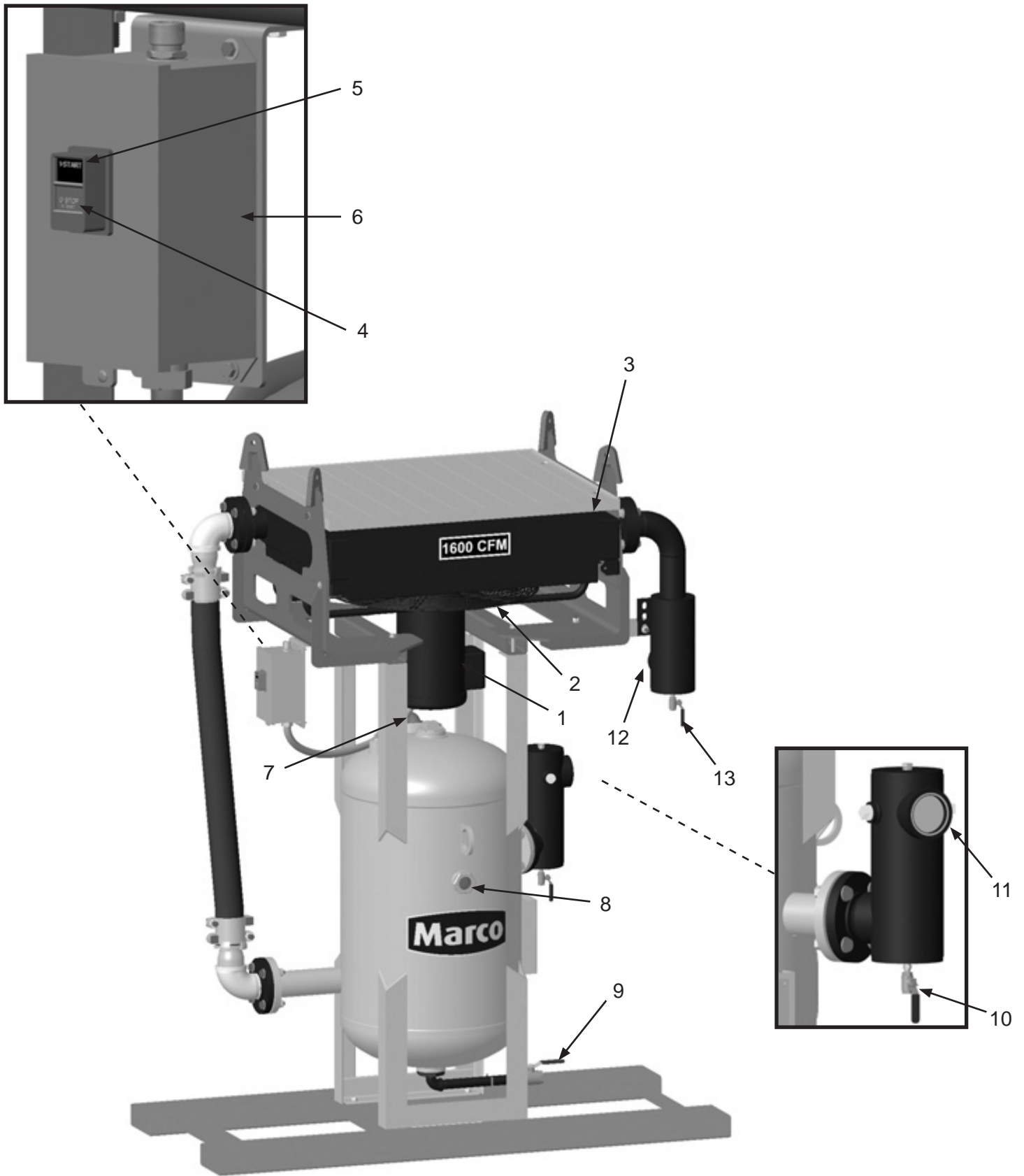
During use:

- Observe Drain Valves (9,10,13) for release of liquids. If no liquid is being released, adjust as needed.
- Observe desiccant levels through Sight Glass (8).

After use:

- Turn off air supply to connected device(s).
- Turn off compressed air supply.
- Turn off Electric Motor (1) by pressing "Stop" (4) on Starter Box (6).
- Slowly open Drain Valves (9,10,13) to release collected liquid and stored compressed air.
- Once all pressure is released, disconnect air hose from Air Inlet (12) and Air Outlet (11).
- Close all Drain Valves (9,10,13).
- Cover or move unit inside for storage.

OPERATING INSTRUCTIONS



OPERATING INSTRUCTIONS

⚠ WARNING

W-562
Always depressurize the entire system, disconnect all power sources and lockout/tagout all components before any maintenance or troubleshooting is attempted. Failure to comply with the above warning could cause electrical shock and inadvertent activation of equipment resulting in death or serious injury.

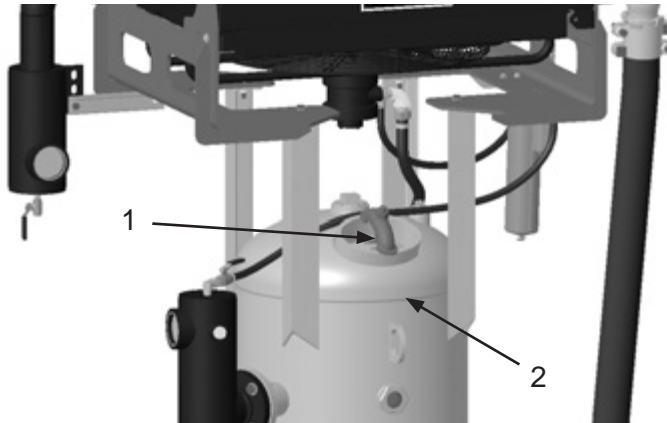
⚠ WARNING

Inspect all equipment for wear or damage before and after each use. Failure to use Original Equipment Manufacturer repair parts and failure to immediately replace worn or damaged components could void warranties and cause malfunctions. Failure to comply with the above warning could result in death or serious injury.

Loading the Blastmaster® 950 CFM Air Dryer

Note: See Desiccant SDS Sheet for proper handling of Desiccant Tablets.

- 1) Depressurize Blastmaster® 950 CFM Air Dryer.
- 2) Remove Inspection Door (1). See Remove and Install Inspection Door.
- 3) Ensure Spherical Tower Packing are in tank, evenly distributed to a depth of approximately two inches.
- 4) Load with Desiccant Tablets until level reaches upper Weld Seam (2). Allow room for installing Inspection Door (1). Full Desiccant charge is approximately 400 pounds.
- 5) Install Inspection Door (1). See Remove and Install Inspection Door.

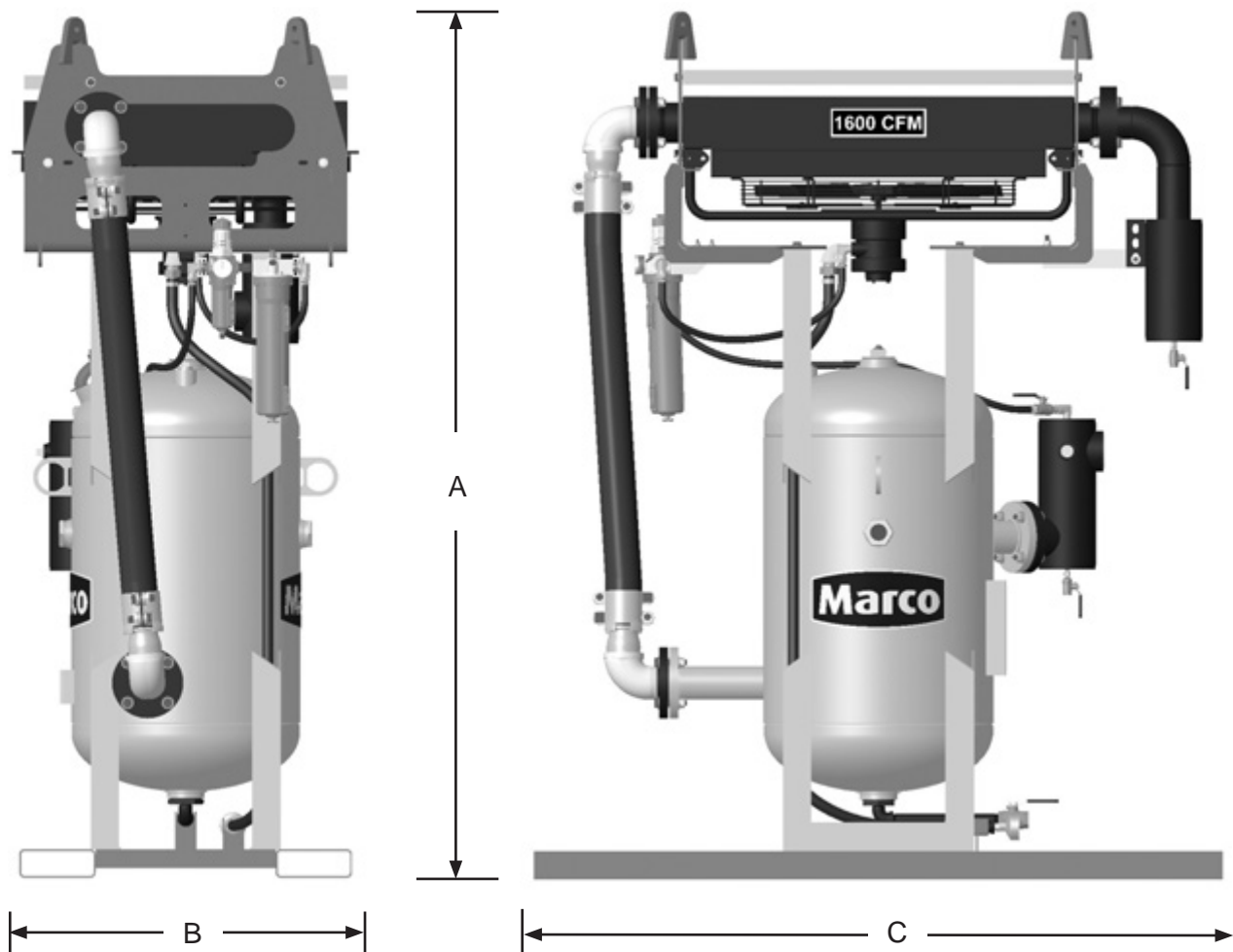


SPECIFICATIONS

Lubrication SAE 10 oil or Air Tool Anti-freeze Lubricant

Tank Outlet Ports 2 – 3”
 1 – 1-1/4”
 2 – 1”

Tank Inlet Ports 1 – 3”



Empty Weight: 1200 lbs

Overall Dimensions:

A: 91”
B: 35”
C: 72”

Pneumatic model shown. Electric model has same dimensions.

MAINTENANCE

Remove & Install Inspection Door

WARNING

W-562
Always depressurize the entire system, disconnect all power sources and lockout/tagout all components before any maintenance or troubleshooting is attempted. Failure to comply with the above warning could cause electrical shock and inadvertent activation of equipment resulting in death or serious injury.

WARNING

Inspect all equipment for wear or damage before and after each use. Failure to use Original Equipment Manufacturer repair parts and failure to immediately replace worn or damaged components could void warranties and cause malfunctions. Failure to comply with the above warning could result in death or serious injury.

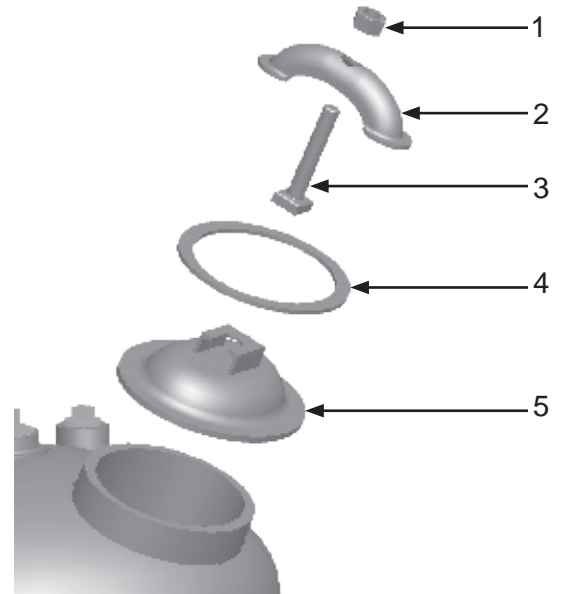
NOTICE

N-524
Piping may loosen during transit. Ensure all piping is aligned and tightened before use.

NOTICE

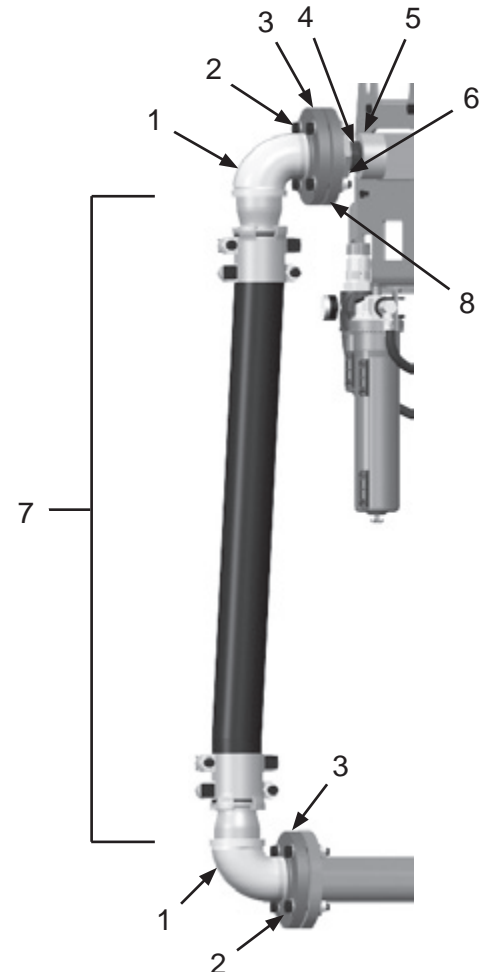
N-519
Apply pipe thread sealant to all pipe threads to ensure an airtight seal.

- 1) Depressurize entire system.
- 2) Loosen Nut (1) from Bolt (3). Do not remove Nut.
- 3) Grasp Fill Hatch Door (5). Remove Nut (1) from Bolt (3).
- 4) Remove Yoke (2) from Bolt (3).
- 5) Remove Bolt (3) from Inspection Door (5). Push Inspection Door toward the interior of the Blastmaster® 950 CFM Air Dryer to free Inspection Door and Gasket (4).
- 6) Remove Inspection Door (5) and Gasket (4).
- 7) Install parts in reverse order.



Remove & Install Transfer Hose Assembly

- 1) Depressurize entire system.
- 2) Remove Bolts, Washers, Lock Washers and Nuts (2) from Flange (3).
- 3) Remove Bushing (6), Nipple (4), Flange (8) and Transfer Hose Assembly (7).
- 4) Remove Elbows (1).
- 5) Disassemble Transfer Hose Assembly (7). See Disassemble and Assemble Transfer Hose Assembly.
- 6) Install parts in reverse order.



Pneumatic model shown, Electric model is similar.

MAINTENANCE

Remove & Install Outlet Filter Assembly (*Pneumatic Only*)

WARNING

W-562

Always depressurize the entire system, disconnect all power sources and lockout/tagout all components before any maintenance or troubleshooting is attempted. Failure to comply with the above warning could cause electrical shock and inadvertent activation of equipment resulting in death or serious injury.

WARNING

Inspect all equipment for wear or damage before and after each use. Failure to use Original Equipment Manufacturer repair parts and failure to immediately replace worn or damaged components could void warranties and cause malfunctions. Failure to comply with the above warning could result in death or serious injury.

NOTICE

N-524

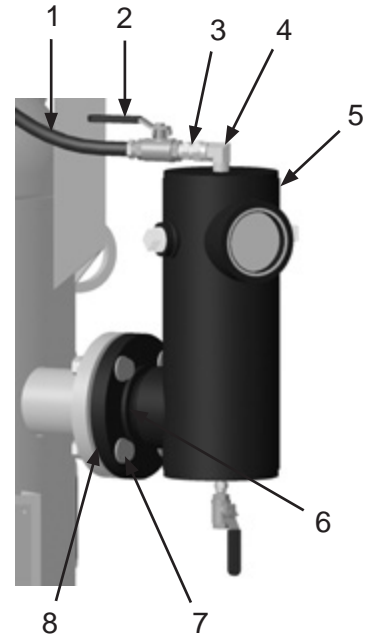
Piping may loosen during transit. Ensure all piping is aligned and tightened before use.

NOTICE

N-519

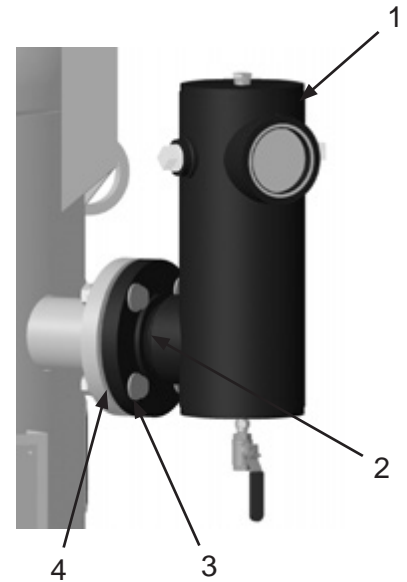
Apply pipe thread sealant to all pipe threads to ensure an airtight seal.

- 1) Depressurize entire system.
- 2) Disconnect Hose (1), Full Port Ball Valve (2), Hex Nipple (3) and 90° Swivel (4).
- 3) Remove Bolts, Washers, Lock Washers and Nuts (7) from Flange (8) to remove Outlet Filter Assembly (5).
- 4) Remove Flange (8) and Nipple (6) from Outlet Filter Assembly (5).
- 5) Install parts in reverse order.



Remove & Install Outlet Filter Assembly (*Electric Only*)

- 1) Depressurize entire system.
- 2) Remove Bolts, Washers, Lock Washers and Nuts (3) from Flange (4) to remove Outlet Filter Assembly (1).
- 3) Remove Flange (4) and Nipple (2) from Outlet Filter Assembly (1).
- 4) Install parts in reverse order.



MAINTENANCE

Remove & Install Air Filter/Regulator/Lubricator Assembly

(Pneumatic Only)

WARNING

Always depressurize the entire system, disconnect all power sources and lockout/tagout all components before any maintenance or troubleshooting is attempted. Failure to comply with the above warning could cause electrical shock and inadvertent activation of equipment resulting in death or serious injury.

WARNING

Inspect all equipment for wear or damage before and after each use. Failure to use Original Equipment Manufacturer repair parts and failure to immediately replace worn or damaged components could void warranties and cause malfunctions. Failure to comply with the above warning could result in death or serious injury.

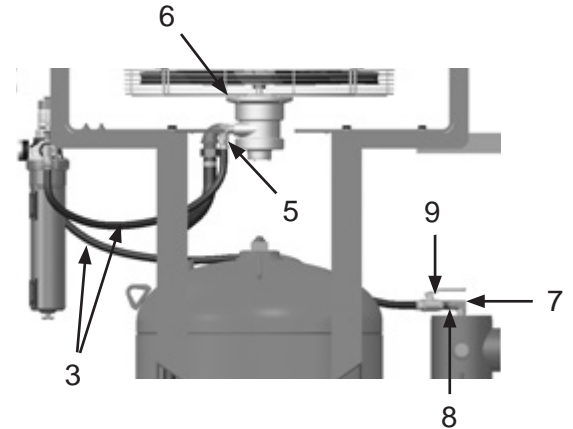
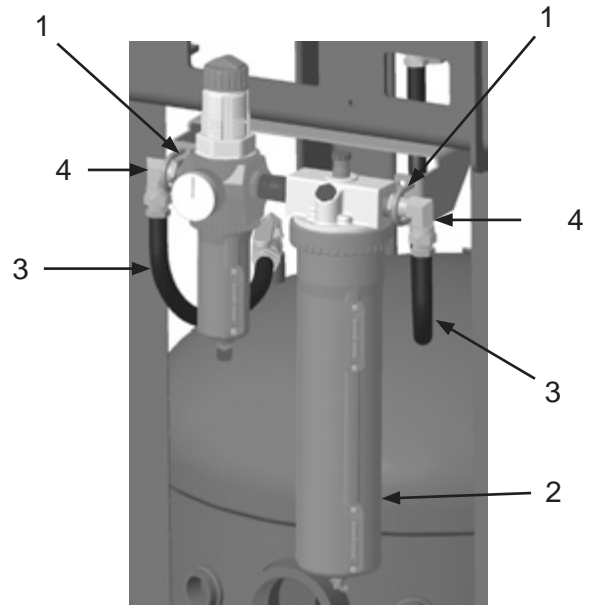
NOTICE

Piping may loosen during transit. Ensure all piping is aligned and tightened before use.

NOTICE

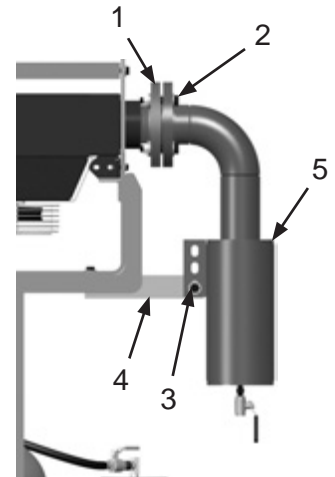
Apply pipe thread sealant to all pipe threads to ensure an airtight seal.

- 1) Depressurize entire system.
- 2) Disconnect Hoses (3) and Swivels (4) from Filter/Regulator/Lubricator Assembly (2).
- 3) Disconnect Hoses (3) and 90° Swivel (5) from Air Motor (6).
- 4) Remove Full Port Ball Valve (9), Nipple (8) and 90° Swivel (7) from tank.
- 5) Remove two U-bolts, four Lock Washers and four Nuts (1) and remove Filter/Regulator/Lubricator Assembly (2).
- 6) Install parts in reverse order.
- 7) Fill Lubricator with SAE 10 oil or air tool anti-freeze lubricant.



Remove & Install Intake Filter Assembly

- 1) Depressurize entire system.
- 2) Remove Bolts, Washers, Lock Washers and Nuts (2) from Flange Assembly (1).
- 3) Remove Bolts, Washers, Lock Washers and Nuts (3) from Mounting Bracket (4) to remove Inlet Filter (5).
- 4) Install parts in reverse order.



Pneumatic model shown, Electric model is similar.

MAINTENANCE

Remove & Install Starter Box Assembly (*Electric Only*)

WARNING

Always depressurize the entire system, disconnect all power sources and lockout/tagout all components before any maintenance or troubleshooting is attempted. Failure to comply with the above warning could cause electrical shock and inadvertent activation of equipment resulting in death or serious injury.

WARNING

Moving parts can present an area where crushing, pinching, entanglement or amputation may occur. Do not place body parts or foreign objects in any area where there are moving parts. Failure to comply with the above warning could result in death or serious injury.

WARNING

Inspect all equipment for wear or damage before and after each use. Failure to use Original Equipment Manufacturer repair parts and failure to immediately replace worn or damaged components could void warranties and cause malfunctions. Failure to comply with the above warning could result in death or serious injury.

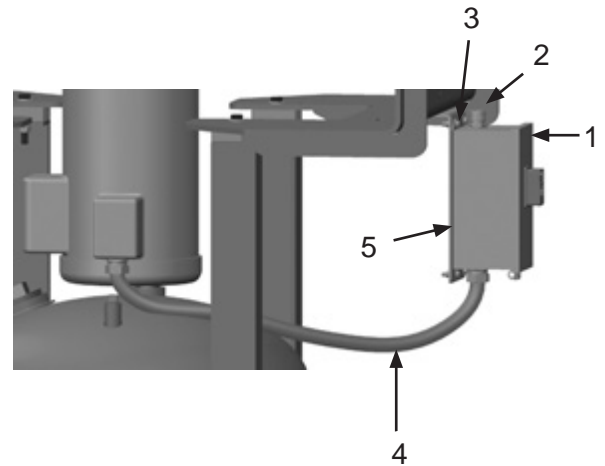
NOTICE

Piping may loosen during transit. Ensure all piping is aligned and tightened before use.

NOTICE

Apply pipe thread sealant to all pipe threads to ensure an airtight seal.

- 1) Depressurize entire system.
- 2) Disconnect from power supply.
- 3) Disconnect Power Cord (2) (not included) from Starter Box (1).
- 4) Disconnect wiring inside Starter Box (1). Remove Conduit (4) from Starter Box (1).
- 5) Remove Screws and Nuts (3) from Starter Box (1) to remove from Starter Box Bracket (5).
- 6) Install parts in reverse order.

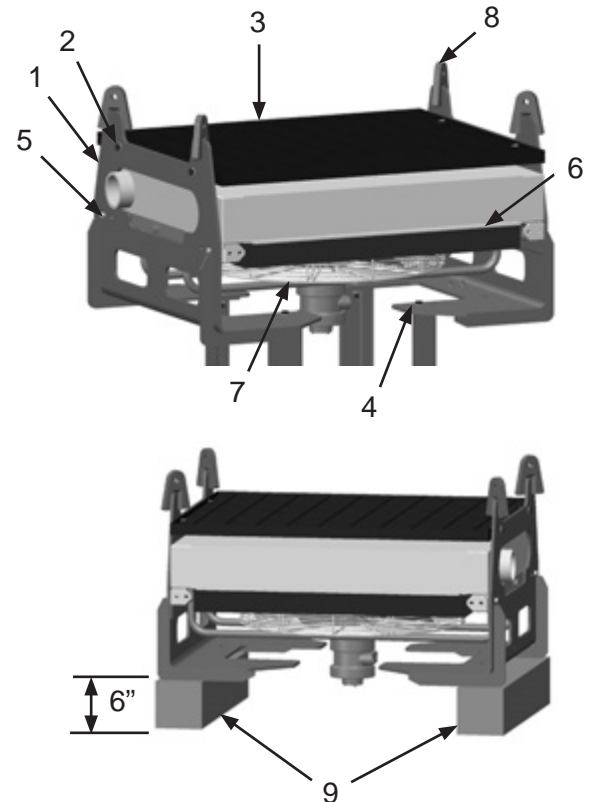


Remove & Install Aftercooler Assembly (*Pneumatic Only*)

- 1) Depressurize entire system.
- 2) Remove Transfer Assembly. See Remove & Install Transfer Hose Assembly.
- 3) Remove Intake Filter Assembly. See Remove & Install Intake Filter Assembly.
- 4) Remove Air Filter/Regulator/Lubricator Assembly. See Remove & Install Air Filter/Regulator/Lubricator Assembly.

Note: Approximate weight of Aftercooler Assembly is 200 pounds. Use suitable lifting devices to support or maneuver Aftercooler Assembly.

- 5) Attach a suitable lifting device to Main Frame Lifting Lugs (8).
- 6) Remove four Bolts, eight Washers, four Lock Washers and four Nuts (4). Remove Aftercooler Assembly and lower onto Blocks (9) (*not included*) that are at least 6" high.
- 7) Remove four Bolts, eight Washers, four Lock Washers and four Nuts (2) and remove Protective Grate (3) from Main Frame (1).
- 8) Remove four Bolts, eight Washers, four Lock Washers and four Nuts (5) from Core Assembly (6) and remove from Main Frame (1).
- 9) Remove Fan Assembly (7) by removing four bolts attaching Fan Guard to Core Assembly (6).
- 10) Install parts in reverse order.



MAINTENANCE

Remove & Install Aftercooler Assembly (Electric Only)

⚠ WARNING

W-562

Always depressurize the entire system, disconnect all power sources and lockout/tagout all components before any maintenance or troubleshooting is attempted. Failure to comply with the above warning could cause electrical shock and inadvertent activation of equipment resulting in death or serious injury.

⚠ WARNING

W-586

Moving parts can present an area where crushing, pinching, entanglement or amputation may occur. Do not place body parts or foreign objects in any area where there are moving parts. Failure to comply with the above warning could result in death or serious injury.

⚠ WARNING

Inspect all equipment for wear or damage before and after each use. Failure to use Original Equipment Manufacturer repair parts and failure to immediately replace worn or damaged components could void warranties and cause malfunctions. Failure to comply with the above warning could result in death or serious injury.

NOTICE

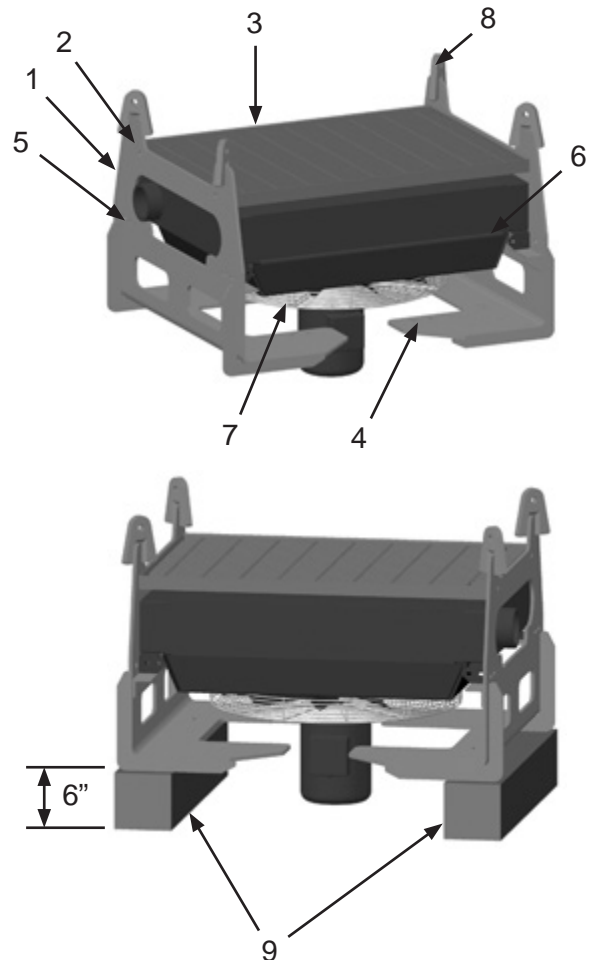
N-524

Piping may loosen during transit. Ensure all piping is aligned and tightened before use.

- 1) Depressurize entire system.
- 2) Remove Transfer Hose Assembly. See Remove & Install Transfer Hose Assembly.
- 3) Remove Intake Filter Assembly. See Remove & Install Intake Filter Assembly.
- 4) Remove Starter Box Assembly. See Remove & Install Starter Box Assembly.

Note: Approximate weight of Aftercooler Assembly is 200 pounds. Use suitable lifting devices to support or maneuver Aftercooler Assembly.

- 5) Attach a suitable lifting device to Main Frame Lifting Lugs (8).
- 6) Remove four Bolts, eight Washers, four Lock Washers and four Nuts (4). Remove Aftercooler Assembly and lower onto Blocks (9) (not included) that are at least 6" high.
- 7) Remove four Bolts, eight Washers, four Lock Washers and four Nuts (2) and remove Protective Grate (3) from Main Frame (1).
- 8) Remove four Bolts, eight Washers, four Lock Washers and four Nuts (5) from Core Assembly (6) and remove from Main Frame (1).
- 9) Remove Fan Assembly (7) by removing four bolts attaching Fan Guard to Core Assembly (6).
- 10) Install parts in reverse order.



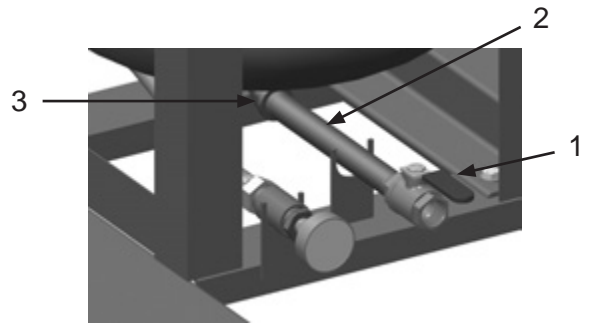
MAINTENANCE

Remove & Install Tank Drain Assembly

WARNING

W-562
Always depressurize the entire system, disconnect all power sources and lockout/tagout all components before any maintenance or troubleshooting is attempted. Failure to comply with the above warning could cause electrical shock and inadvertent activation of equipment resulting in death or serious injury.

- 1) Depressurize entire system.
- 2) Remove Full Port Ball Valve (1), Nipple (2) and Street Elbow (3) from drain port.
- 3) Install parts in reverse order.



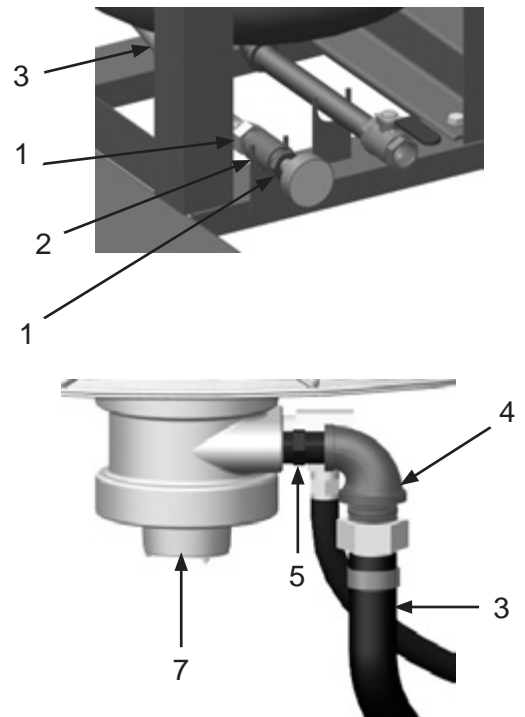
Pneumatic model shown, Electric model is similar.

NOTICE

N-519
Apply pipe thread sealant to all pipe threads to ensure an airtight seal.

Remove & Install Muffler and Hose Assembly (*Pneumatic Only*)

- 1) Depressurize entire system.
- 2) Disconnect Hose (3).
- 3) Remove Bushing (1) from Coupling (2).
- 4) Remove Elbow (4) and Hex Nipple (5) from Motor (7).
- 5) Install parts in reverse order.



MAINTENANCE

Disassemble and Assemble Transfer Hose Assembly

WARNING

Always depressurize the entire system, disconnect all power sources and lockout/tagout all components before any maintenance or troubleshooting is attempted. Failure to comply with the above warning could cause electrical shock and inadvertent activation of equipment resulting in death or serious injury.

Note: Interlocking clamps (including nuts and bolts) are for a single use only! Once removed, discard.

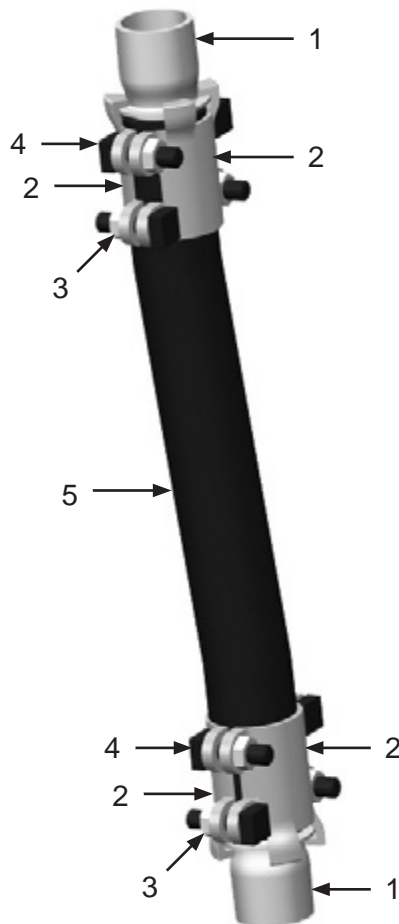
- 1) Remove Bolts (4), Nuts (3) and Interlocking Clamps (2) and discard.
- 2) Separate Hose (5) from Hose Stems (1). Discard hose.
- 3) Install parts in reverse order using the following special instructions:

Note: Periodic bolt re-tightening is necessary due to "cold-flow" present in all rubber hoses.

Tighten Bolts (4) by hand until there is equal thread engagement. Using a torque wrench, tighten bolts to 60 ft-lbs using the following sequence:

- Back bolt, one full turn.
- Front bolt, one full turn.
- Snug by hand, nuts on opposite side of bolts just tightened.
- Opposite back bolt, one full turn.
- Opposite front bolt, one full turn.
- Snug by hand, nuts on opposite side of bolts just tightened.
- Repeat until all bolts are tightened.

Note: Clamp bolts are designed to bend during tightening. This "bending" allows the clamp to conform to the hose circumference.



MAINTENANCE

Maintenance Schedules Quick Reference Charts

AIR DRYER

Perform inspections at the intervals specified. Repair or replace damaged parts as needed.

| Item | Maintenance Required | Daily | Weekly | Monthly |
|---------------------------|---|--|--------|---------|
| Moisture Accumulation | With system pressurized, open all drain valves to purge moisture and debris. | X | | |
| Aftercooler | Visually inspect condition of radiator, fan, shroud, guard, and motor. Inspect the unit for loose bolts and/or connections. | X | | |
| Aftercooler | Pressure wash downward through the top head coupling. A degreasing agent may be used to remove oil buildup. Clean thoroughly before placing back into service. | | | X |
| Heat Transfer Surface | Visually inspect for corrosion and dirty/clogged heat transfer surface (cooling coil). Dirt and dust should be removed. Check surface for bent fins. | | X | |
| Fan shroud, Fan and Motor | Visually inspect condition of Fan shroud, Fan and Motor. Dirt and grease should be removed. Rusty or corroded surfaces should be sanded clean and repainted. | | | X |
| Air Motor | Visually inspect condition of motor. Fill the lubricator reservoir with SAE 10 oil or Air Tool Anti-freeze Lubricant. Adjust the lubricator to feed one drop of oil for every 50-75 CFM of air passing through the air motor. | X | | |
| Electric Motor | Visually inspect condition of motor. Keep outside surface free of dirt and grease so motor will cool properly. Make sure cooling air over motor is not obstructed. See motor Operator's Manual for lubrication instructions. | X | | |
| Pressure Vessel | Visually inspect the exterior of pressure vessel for corrosion, pitting, or other damage (i.e. dents, gouges or bulges). If damaged, remove from service and contact Marco. Replace as needed. | X | | |
| Pressure Vessel | Visually inspect the interior of pressure vessel for corrosion, pitting, or other damage. If damaged, remove from service and contact Marco. Replace as needed. | | | X |
| Pressure Vessel | Check deliquescent/desiccant level monthly. Check inside the separator tank for looseness of deliquescent/desiccant tablets. Break apart fused tablets. Fill with tablets to the top of separator tank. | | | X |
| Pressure Vessel | Hydrostatic Test | Every 5 years unless otherwise directed by local, state, or jurisdictional requirements. | | |
| Decals | Verify that all decals are in position and legible. | | | X |

MAINTENANCE

Short-Term Storage Procedure

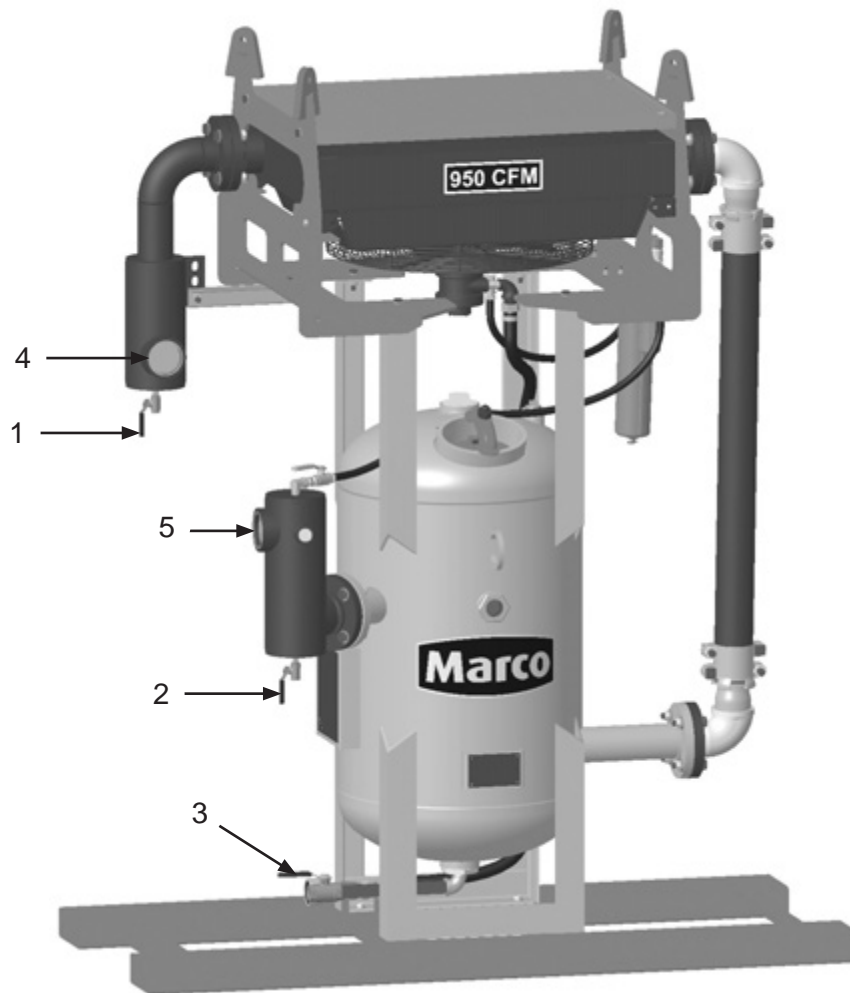
⚠ WARNING

W-562
Always depressurize the entire system, disconnect all power sources and lockout/tagout all components before any maintenance or troubleshooting is attempted. Failure to comply with the above warning could cause electrical shock and inadvertent activation of equipment resulting in death or serious injury.

⚠ WARNING

Inspect all equipment for wear or damage before and after each use. Failure to use Original Equipment Manufacturer repair parts and failure to immediately replace worn or damaged components could void warranties and cause malfunctions. Failure to comply with the above warning could result in death or serious injury.

- 1) Depressurize Blastmaster® 950 CFM Air Dryer.
- 2) Open Ball Valves (1,2,3) to drain any excess moisture.
- 3) Close Ball Valves (1,2,3).
- 4) Disconnect air hose from Inlet (4) and Outlet (5).
- 5) Install a cover on Inlet (4) and Outlet (5) to prevent ambient moisture from entering the air dryer during storage.



MAINTENANCE

Long-Term Storage Procedure

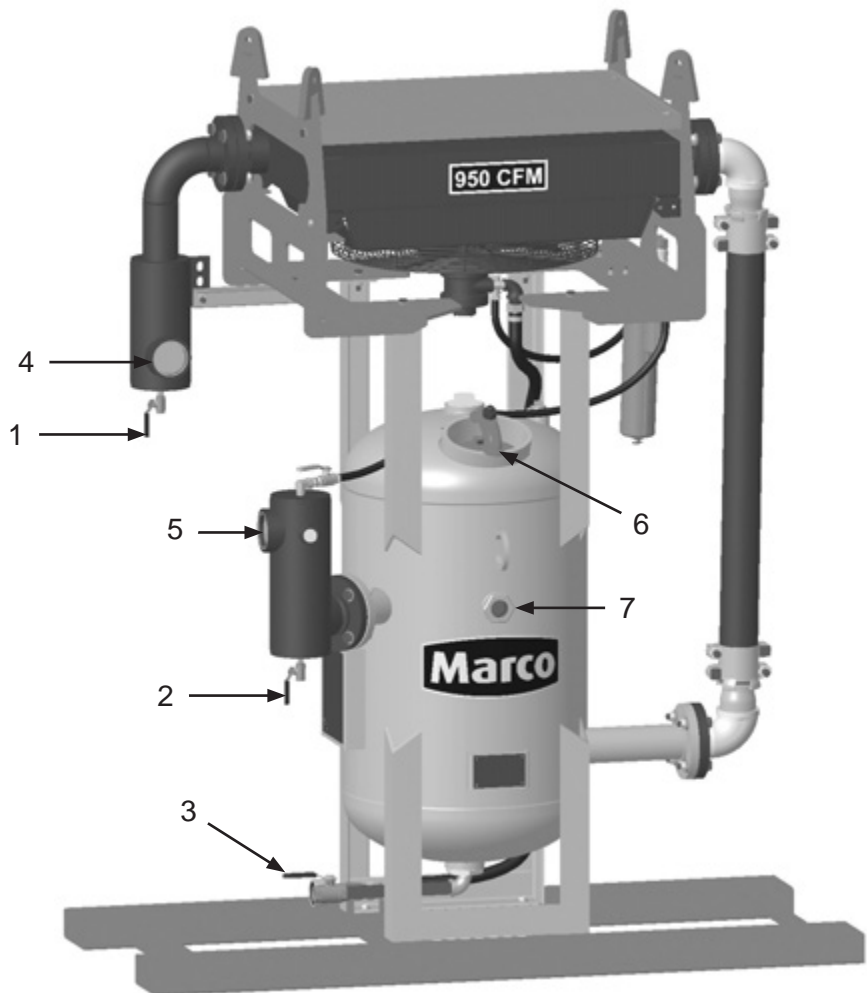
WARNING

W-562
Always depressurize the entire system, disconnect all power sources and lockout/tagout all components before any maintenance or troubleshooting is attempted. Failure to comply with the above warning could cause electrical shock and inadvertent activation of equipment resulting in death or serious injury.

WARNING

Inspect all equipment for wear or damage before and after each use. Failure to use Original Equipment Manufacturer repair parts and failure to immediately replace worn or damaged components could void warranties and cause malfunctions. Failure to comply with the above warning could result in death or serious injury.

- 1) Depressurize Blastmaster® 950 CFM Air Dryer.
- 2) Open Ball Valves (1,2,3) to drain any excess moisture.
- 3) Close Ball Valves (1,2,3).
- 4) Disconnect air hose from Inlet (4) and Outlet (5).
- 5) Remove Inspection Door (6). See Remove and Install Inspection Door.
- 6) Remove Desiccant Tablets. Observe levels through Site Glass (7), being careful not to remove Spherical Tower Packing.
- 7) Remove and wash Spherical Tower Packing.
- 8) Clean inside of tank to reduce internal corrosion caused by moisture and desiccant residue.
- 9) Place Spherical Tower Packing back in unit for storage. See Load Tank.
- 10) Store with Inspection Door removed.



TROUBLESHOOTING

WARNING

Always depressurize the entire blasting system, disconnect all power sources and lockout/tagout all components before any maintenance or troubleshooting is attempted. Failure to comply with the above warning could cause electrical shock and inadvertent activation of equipment resulting in death or serious injury.

WARNING

W-586

Moving parts can present an area where crushing, pinching, entanglement or amputation may occur. Do not place body parts or foreign objects in any area where there are moving parts. Failure to comply with the above warning could result in death or serious injury.

If the Blastmaster® 950 CFM Air Dryer does not function properly, check the following:

Pneumatic

SYMPTOM (Cause)

ACTION

Fan Blades not turning

(Improper air supply, Obstruction, Damaged components, Lack of lubricant, Muffler obstructed or fouled)

Check air supply to air motor - confirm supply air is on and set to 85 psi.

Clear any obstructions from fan blades.

Inspect fan blades for damage. Replace damaged components.

Test fan blades for free movement. If air motor does not move, repair or replace air motor.

Clear any obstructions from exhaust muffler. Replace muffler if fouled.

Fan Blades turning slowly

(Improper air supply, Obstruction, Damaged components, Lack of lubricant, Muffler obstructed or fouled)

Check air supply to air motor - confirm supply air is on and set to 85 psi.

Clear any obstructions from fan blades.

Inspect fan blades for damage. Replace damaged components.

Test fan blades for free movement. If air motor moves, but not freely (see Operating Instructions), confirm lubricator is working properly, introduce some lubricant directly into air motor intake, rotate fan blades 3 to 4 complete rotations, then test again. If blades do not move freely, repair or replace air motor.

Clear any obstructions from exhaust muffler. Replace muffler if fouled.

Inlet Filter/Tank not draining collected moisture

(Damaged components, Obstruction)

Inspect drain valve for damage. Replace damaged components.

Inspect drain valve for visible obstruction. Clear obstruction.

If no damage or visible obstructions are found, disassemble drain pipe string, inspecting for internal obstructions. With pipe string removed from tank, examine attachment point for debris or obstructions.

Clean Aftercooler Core.

Ensure tank contains Desiccant. Load tank. See Load Instructions.

Check that desiccant tablets move freely. Moisture can cause desiccant to fuse together, preventing collected moisture from draining.

TROUBLESHOOTING

WARNING

Always depressurize the entire blasting system, disconnect all power sources and lockout/tagout all components before any maintenance or troubleshooting is attempted. Failure to comply with the above warning could cause electrical shock and inadvertent activation of equipment resulting in death or serious injury.

WARNING

W-586

Moving parts can present an area where crushing, pinching, entanglement or amputation may occur. Do not place body parts or foreign objects in any area where there are moving parts. Failure to comply with the above warning could result in death or serious injury.

WARNING

W-556

All electrical connections are to be made by a qualified electrician in accordance with all applicable codes, ordinances and good practices. Failure to comply with the above warning could result in death or serious injury.

If the Blastmaster® 950 CFM Air Dryer does not function properly, check the following:

Electric

SYMPTOM (Cause)

ACTION

Fan Blades not turning

(Failed fuse, Improper electric supply, Improper connection, Obstruction, Damaged components)

Check the thermal unit and replace as needed.

Check the power supply and confirm power supply is compatible with electric motor.

Check the connections to power supply and confirm solid contact.

Clear any obstructions from fan blades.

Inspect fan blades for damage. Replace damaged components.

Test fan blades for free movement. If electric motor does not move freely, replace electric fan blade and motor assembly.

Fan Blades turning slowly

(Improper electric supply, Improper connection, Obstruction, Damaged components)

Check the connections to power supply and confirm solid contact.

Clear any obstructions from fan blades.

Inspect fan blades for damage. Replace damaged components.

Test fan blades for free movement. If electric motor does not move freely, replace electric fan blade and motor assembly.

Inlet Filter not draining collected moisture

(Damaged components, Obstruction)

Inspect drain valve for damage. Replace damaged components.

Inspect drain valve for visible obstruction. Clear obstruction.

If no damage or visible obstructions are found, disassemble drain pipe string, inspecting for internal obstructions. With pipe string removed from tank, examine attachment point for debris or obstructions.

Clean Aftercooler Core.

Ensure tank contains Desiccant. Load tank. See Load Instructions.

Check that desiccant tablets move freely. Moisture can cause desiccant to fuse together, preventing collected moisture from draining.

ADDITIONAL TECHNICAL DATA

The associations listed below offer information, materials and videos pertaining to abrasive blasting and safe operating practices.

- **American Society for Testing and Materials (ASTM)**

100 Barr Harbor Drive
West Conshohocken,
PA 19428-2959

Phone: (610) 832-9585

FAX: (610) 832-9555

www.astm.org

- **Occupational Safety & Health Administration (OSHA)**

United States

Department of Labor

200 Constitution Avenue

Washington, DC 20210

Phone: (800) 321-OSHA

(800) 321-6742

www.osha.gov

- **The National Board of Boiler & Pressure Vessel Inspectors**

1055 Crupper Avenue
Columbus, Ohio 4322

Phone: (614) 888-8320

FAX: (614) 888-0750

www.nationalboard.org

- **National Association of Corrosion Engineers (NACE)**

1440 South Creek Drive
Houston, TX 77084-4906

Phone: (281) 228-6200

FAX: (281) 228-6300

www.nace.org

- **The Society for Protective Coatings (SSPC)**

40-24th Street, 6th Floor
Pittsburgh, PA 15222-4656

Phone: (412) 281-2331

FAX: (412) 281-9992

www.sspc.org

- **American National Standards Institute (ANSI)**

1899 L Street, NW, 11th Floor
Washington, DC 20036

Phone: (202) 293-8020

FAX: (202) 293-9287

www.ansi.org

LIMITED WARRANTY

Seller warrants to the original purchaser that the Product covered by this Limited Warranty will remain free from defects in workmanship or material under normal commercial use and service for a period of one year from the date of shipment to the original Purchaser. This Warranty shall not apply to defects arising, in whole or in part, from any accident, negligence, alteration, misuse or abuse of the Product, operation of the Product which is not in accordance with applicable instructions or manuals or under conditions more severe than, or otherwise exceeding, those set forth in the written specifications for the Product, nor shall this Warranty extend to repairs or alterations of the Product and/or any maintenance part by persons other than Seller or Seller's authorized representatives. This warranty does not apply to accessory items. Further, this Warranty does not apply to damage or wear to the surface finish or appearance of the Product or normal wear and tear to the Product. This Warranty is limited to a purchaser who purchases the Product either directly from the Seller or from one of Seller's "Authorized Distributors". An Authorized Distributor is a Seller approved distributor that purchases the Product directly from the Seller for the sole purpose of re-selling the Product at retail, without any use or modifications whatsoever, to an end-purchaser. This warranty is specifically non-assignable and non-transferable.

DISCLAIMER OF WARRANTY

The foregoing Limited Warranty is exclusive and is in lieu of all other warranties, whether oral or written and whether express, implied, or statutory. SELLER HEREBY DISCLAIMS ALL OTHER WARRANTIES, INCLUDING BUT NOT LIMITED TO THE WARRANTIES OF MERCHANTABILITY AND/OR FITNESS FOR A PARTICULAR PURPOSE AND ALL SUCH OTHER WARRANTIES ARE HEREBY EXCLUDED AND ARE INAPPLICABLE TO THE PRODUCT. Seller makes no warranties or representations of any kind concerning respirators, or equipment made by other manufacturers. Seller's agents and representatives are not authorized to offer any further warranties.

EXCLUSIVE REMEDY FOR WARRANTY CLAIMS

THE SOLE AND EXCLUSIVE REMEDY UNDER THE FOREGOING LIMITED WARRANTY, AND TO THE EXTENT PERMITTED BY LAW, ANY WARRANTY OR CONDITION IMPLIED BY LAW, COVERING THIS PRODUCT SHALL BE, AT THE SELLER'S OPTION, THE REPAIR OR REPLACEMENT, FREE OF CHARGE, F.O.B. POINT OF MANUFACTURE, OF ANY DEFECTIVE PART OR PARTS OF THE PRODUCT THAT WERE MANUFACTURED BY SELLER, AND WHICH ARE RETURNED TO SELLER AT SELLER'S PRINCIPAL PLACE OF BUSINESS, POSTAGE PREPAID BY THE PURCHASER. THIS SOLE AND EXCLUSIVE REMEDY IS CONDITIONED UPON PURCHASER'S PROMPT WRITTEN NOTICE TO SELLER AT SELLER'S PLACE OF BUSINESS THAT A DEFECT HAS BEEN DISCOVERED, TOGETHER WITH A REASONABLY DETAILED DESCRIPTION OF THE DEFECT IN THE PRODUCT, PROOF OF PURCHASE OF THE PRODUCT, AND THE MODEL AND IDENTIFICATION NUMBER OF THE PRODUCT WITHIN THIRTY (30) DAYS AFTER DISCOVERY OF THE DEFECT, OTHERWISE SUCH CLAIMS SHALL BE DEEMED WAIVED. NO ALLOWANCE WILL BE GRANTED FOR ANY REPAIRS OR ALTERATIONS MADE BY PURCHASER OR OTHERS WITHOUT SELLER'S PRIOR WRITTEN CONSENT. IF SUCH NOTICE IS TIMELY GIVEN, SELLER WILL HAVE THE OPTION TO EITHER MODIFY THE PRODUCT OR COMPONENT PART THEREOF TO CORRECT THE DEFECT, REPLACE THE PRODUCT OR PART WITH COMPLYING PRODUCTS OR PARTS, OR REFUND THE AMOUNT PAID FOR THE DEFECTIVE PRODUCT, ANY ONE OF WHICH WILL CONSTITUTE THE SOLE LIABILITY OF SELLER AND FULL SETTLEMENT OF ALL CLAIMS. IN NO EVENT SHALL SELLER BE LIABLE FOR ANY OBLIGATION GREATER THAN THE ORIGINAL PURCHASE PRICE OF THE PRODUCT UNDER THIS WARRANTY. PURCHASER SHALL AFFORD SELLER PROMPT AND REASONABLE OPPORTUNITY TO INSPECT THE PRODUCT FOR WHICH A CLAIM IS MADE. THE SOLE PURPOSE OF THE FOREGOING STIPULATED EXCLUSIVE REMEDY SHALL BE TO REPAIR OR REPLACE DEFECTIVE PRODUCTS OR COMPONENTS THEREOF, OR TO REFUND PURCHASER THE PURCHASE PRICE THEREOF. THIS STIPULATED EXCLUSIVE REMEDY SHALL NOT BE DEEMED TO HAVE FAILED OF ITS ESSENTIAL PURPOSE SO LONG AS SELLER IS WILLING AND ABLE TO REPAIR OR REPLACE THE DEFECTIVE PARTS OR REFUND THE PURCHASE PRICE IN ACCORDANCE WITH THE TERMS HEREOF. PRODUCTS THAT HAVE BEEN REPAIRED OR REPLACED UNDER THIS WARRANTY DO NOT RECEIVE A NEW WARRANTY AND ARE ONLY COVERED BY THE REMAINING PORTION OF THE ORIGINAL WARRANTY.

LIMITATION OF REMEDIES

The foregoing stipulated exclusive remedy is in lieu of all other remedies for breach of contract, warranty, and/or tort or otherwise. Seller shall not be liable, either directly or indirectly, for any consequential, incidental or special losses or damages of Purchaser, including but not limited to the Purchaser's expenses for downtime or for making up downtime, damages for which the Purchaser may be liable to other persons and/or entities, damages to property, and injury to or death of any persons and/or any claims for incidental or consequential damages, including but not limited to loss of profits, regardless of whether Seller has been informed of the possibility of such damages. Seller neither assumes, nor authorizes any person to assume for it, any other liability in connection with the sale or use of any Products covered by the foregoing Warranty and Disclaimers, and there are no oral agreements relating to remedies which are collateral to or which affect this limitation.

40+ NATIONWIDE SHIPPING LOCATIONS

CONTACT CENTER

- 3425 East Locust Street
Davenport, IA 52803

ph: 800.BLAST.IT (800.252.7848)
ph: 563.324.2519
fax: 563.324.6258

REGIONAL BRANCH OFFICES

- **Iowa**
Davenport
- **Louisiana**
Gonzales
Lafayette
- **Ohio**
Youngstown
- **Texas**
Beaumont
Corpus Christi
Deer Park



★ Marco Regional Branch Offices
and Shipping Locations

● Direct Shipping Locations



ABRASIVES
BLASTING
COATING
DUST COLLECTORS
ENGINEERED SYSTEMS
RENTAL
SAFETY
SERVICE & REPAIR
VACUUMS

CONTACT MARCO

800.BLAST.IT
(800.252.7848)
563.324.2519
FAX: 563.324.6258

WWW.MARCO.US
SALES@MARCO.US