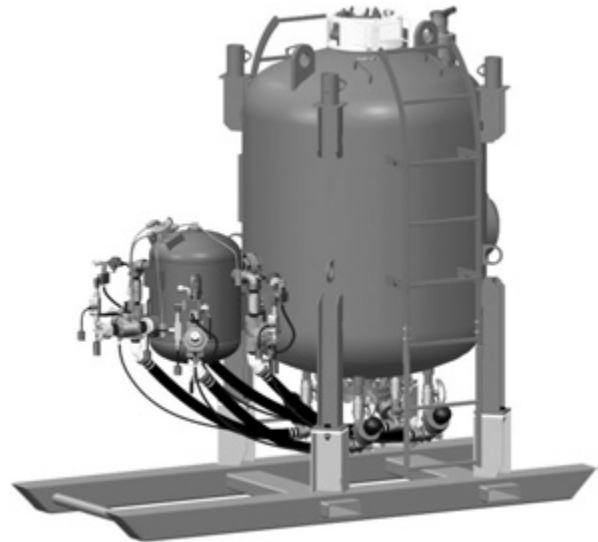




# BLASTMASTER® 60 CU. FT. ABRASIVE BLASTING POTS



**BUILT MARCO**  
**TOUGH**  
MARCO MANUFACTURED

## PART NUMBERS AND SCHEMATICS GUIDE

## Company Profile

Since 1944, Marco has developed a strong tradition of providing innovative and reliable products and services to the surface preparation and protective coatings industries. We are the world's premier provider of Abrasives, Blasting, Coating, Dust Collectors, Engineered Systems, Rental, Safety, Service, Repair, & Modernization, and Vacuums.

Through innovative designs and a total commitment to quality, Marco manufactures products that increase production rates, create a safer workplace, and reduce maintenance costs. Marco's industry experience, manufacturing capabilities, legendary customer service, product availability, logistics services, and technology leadership is your assurance that we deliver high quality products and services, providing the best value to you, our customer.

## The Marco Difference

- **Industry Experience** – With Marco on your team, you have access to expertise which can only come from decades of industry leadership. We have organized our engineering department, production specialists, customer operations, and safety support into a "Center of Competence." As a Marco customer, you have access to hundreds of years of cumulative experience related to your operations.
- **Manufacturing Excellence** – Marco is a manufacturer of equipment for the Surface Preparation and Protective Coatings industries. Marco's engineers benchmark the industry to ensure that we design and manufacture superior products that set the "Gold Standard" for performance, safety, and quality.
- **Legendary Customer Service** – Marco's legendary customer service team is staffed by friendly, highly-trained individuals who are focused on providing the highest level of product support, order accuracy, and customer satisfaction.
- **Product Availability** – We stock over 10,000 SKU's and have more than 45 shipping locations to serve North American and International markets for all major brands of blasting and coating equipment. As the largest provider of surface preparation and protective coatings equipment in the world, our inventory levels and product availability are unmatched.
- **Logistics Services** – Marco's in-house logistics team is dedicated to moving your shipment anywhere in the world. We move more than 14,000 truckloads every year, allowing you to save on freight costs by leveraging our buying power. Lower your process costs with a single invoice, which includes product and freight.
- **Technology Leadership** – Our website provides: Operator's Manuals, Part Numbers and Schematics Guides, Specifications information, and Features & Specifications Guides, providing access to information 24/7. Our Extranet application allows you to receive quotes and place orders online. Our Intranet maintains a complete record of your purchase history to assist with ongoing support of your existing equipment and future purchasing decisions.

## Vision Statement

Marco is the world's premier provider of Abrasives, Blasting, Coating, Dust Collectors, Engineered Systems, Rental, Safety, Service, Repair, & Modernization, and Vacuums.

## Mission Statement

Marco provides strong leadership and innovation to the surface preparation and protective coatings industries. We dedicate our efforts to the continuous improvement of our products, services, processes, people, and most importantly, the quality of our customer's experience.

## Quality Statement

Marco is committed to providing superior quality in the design, manufacturing, distribution, rental, service, and repair of our products. Continuous improvement of our processes and supply chain Integration comprise the core of our business strategy for delivering exceptional quality and value in all Marco products and services.

## Management Philosophy

We are a company dedicated to the success of every customer and associate. We discuss, debate, challenge, measure, and test our ideas. We will be boundless and limitless in our passion to improve. Through sound leadership and dedicated associates, we will ensure a long term, profitable future for Marco, our associates, customers, and suppliers.

# TABLE OF CONTENTS

<b>Company Profile</b> . . . . .	1	Power Distribution Boxes . . . . .	35
<b>Part Numbers</b> . . . . .	3	190 Pneumatic Solenoid. . . . .	36
<b>Part Numbers and Schematics</b> . . . . .	7	Blastmaster® Camlock Closure Lockout Device . . .	37
Moisture Separator Assembly. . . . .	7	Blastmaster® Large Exhaust Muffler. . . . .	39
External Fittings and Components, Side View . . . .	8	Fork-Pocket Skid . . . . .	41
External Fittings and Components, Rear View. . . .	9	<b>Optional Accessories</b> . . . . .	42
Internal Fittings . . . . .	10	Bulk Bag Racks (Optional) . . . . .	42
Pipe String Assembly . . . . .	11	Bulk Bag Rack Locking Pin (Optional) . . . . .	42
Moisture Separator Mounting Assembly. . . . .	12	Abrasive Screen and Funnel (Optional) . . . . .	43
Blastmaster® Maxum III Abrasive Metering Valve	13	<b>Literature References</b> . . . . .	43
Blastmaster® Maxum III Abrasive Metering Valve — Urethane Sleeve . . . . .	15		
Blastmaster® Maxum III Abrasive Metering Valve — Tungsten Carbide Sleeve — 2” . . . . .	17		
Blastmaster® Maxum III Abrasive Metering Valve — Urethane Sleeve — 2” . . . . .	19		
Blastmaster® 130P Remote Control System. . . . .	21		
1-1/2” NPT High-flow GateKeeper Air Valve. . . . .	23		
12-Volt DC Blastmaster® 130E Remote Control System . . . . .	25		
120-Volt AC Blastmaster® 130E Remote Control System . . . . .	27		
Blastmaster® 120-Volt AC to 12-Volt AC Power Converter . . . . .	29		
12-Volt DC 190 Electric Control Assembly . . . . .	31		
12-Volt DC 190 Electric Solenoid . . . . .	32		
12-Volt AC 190 Electric Control Assembly . . . . .	33		
12-Volt AC 190 Electric Solenoid . . . . .	34		

## PART NUMBERS

### BLASTMASTER® 60 CU. FT. ABRASIVE BLASTING POTS WITH HIGHWAY TRAILER

	Mounting Option	Number of Outlets	Power Source	Remote Control Switch	Metering Valve Sleeve	
	Highway Trailer				Tungsten Carbide	Urethane
Part Numbers	10108128	2	Pneumatic	152	X	
	10108129	2	Pneumatic	152		X
	10108134	2	12-Volt DC	151	X	
	10108135	2	12-Volt DC	151		X
	10108140	2	120-Volt AC	151	X	
	10108141	2	120-Volt AC	151		X
	10108130	3	Pneumatic	152	X	
	10108131	3	Pneumatic	152		X
	10108136	3	12-Volt DC	151	X	
	10108137	3	12-Volt DC	151		X
	10108142	3	120-Volt AC	151	X	
	10108143	3	120-Volt AC	151		X
	10108132	4	Pneumatic	152	X	
	10108133	4	Pneumatic	152		X
	10108138	4	12-Volt DC	151	X	
	10108139	4	12-Volt DC	151		X
	10108144	4	120-Volt AC	151	X	
10108145	4	120-Volt AC	151		X	

The highway trailer includes electric brakes, fenders, and a DOT approved light package.

## PART NUMBERS

<b>BLASTMASTER® 60 CU. FT. ABRASIVE BLASTING POTS WITH YARD TRAILER</b>						
	<b>Mounting Option</b>	<b>Number of Outlets</b>	<b>Power Source</b>	<b>Remote Control Switch</b>	<b>Metering Valve Sleeve</b>	
	<b>Yard Trailer</b>				<b>Tungsten Carbide</b>	<b>Urethane</b>
<b>Part Numbers</b>	<b>10108110</b>	2	Pneumatic	152	X	
	<b>10108111</b>	2	Pneumatic	152		X
	<b>10108116</b>	2	12-Volt DC	151	X	
	<b>10108117</b>	2	12-Volt DC	151		X
	<b>10108122</b>	2	120-Volt AC	151	X	
	<b>10108123</b>	2	120-Volt AC	151		X
	<b>10108112</b>	3	Pneumatic	152	X	
	<b>10108113</b>	3	Pneumatic	152		X
	<b>10108118</b>	3	12-Volt DC	151	X	
	<b>10108119</b>	3	12-Volt DC	151		X
	<b>10108124</b>	3	120-Volt AC	151	X	
	<b>10108125</b>	3	120-Volt AC	151		X
	<b>10108114</b>	4	Pneumatic	152	X	
	<b>10108115</b>	4	Pneumatic	152		X
	<b>10108120</b>	4	12-Volt DC	151	X	
	<b>10108121</b>	4	12-Volt DC	151		X
	<b>10108126</b>	4	120-Volt AC	151	X	
<b>10108127</b>	4	120-Volt AC	151		X	

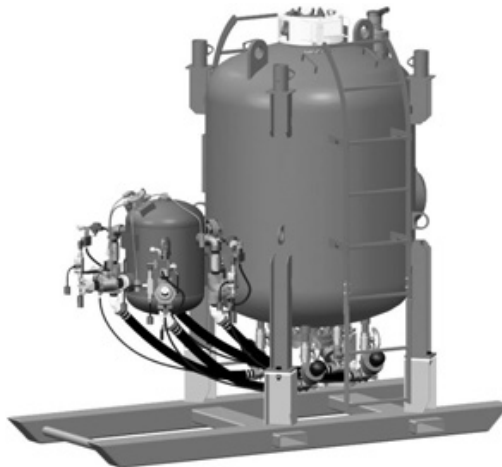
The yard trailer is ideal for applications where mobility around the work site is required.

## PART NUMBERS

### BLASTMASTER® 60 CU. FT. ABRASIVE BLASTING POTS WITH FORK-POCKET SKID

Mounting Option	Number of Outlets	Power Source	Remote Control Switch	Metering Valve Sleeve	
				Tungsten Carbide	Urethane
Fork-Pocket Skid					
10108092	2	Pneumatic	152	X	
10108093	2	Pneumatic	152		X
10108098	2	12-Volt DC	151	X	
10108099	2	12-Volt DC	151		X
10108104	2	120-Volt AC	151	X	
10108105	2	120-Volt AC	151		X
10108094	3	Pneumatic	152	X	
10108095	3	Pneumatic	152		X
10108100	3	12-Volt DC	151	X	
10108101	3	12-Volt DC	151		X
10108106	3	120-Volt AC	151	X	
10108107	3	120-Volt AC	151		X
10108096	4	Pneumatic	152	X	
10108097	4	Pneumatic	152		X
10108102	4	12-Volt DC	151	X	
10108103	4	12-Volt DC	151		X
10108108	4	120-Volt AC	151	X	
10108109	4	120-Volt AC	151		X

The fork-pocket skid allows for ease of movement around a work site while using a mechanical lifting device.



## PART NUMBERS

### BLASTMASTER® 60 CU. FT. ABRASIVE BLASTING POTS WITH STATIONARY LEGS

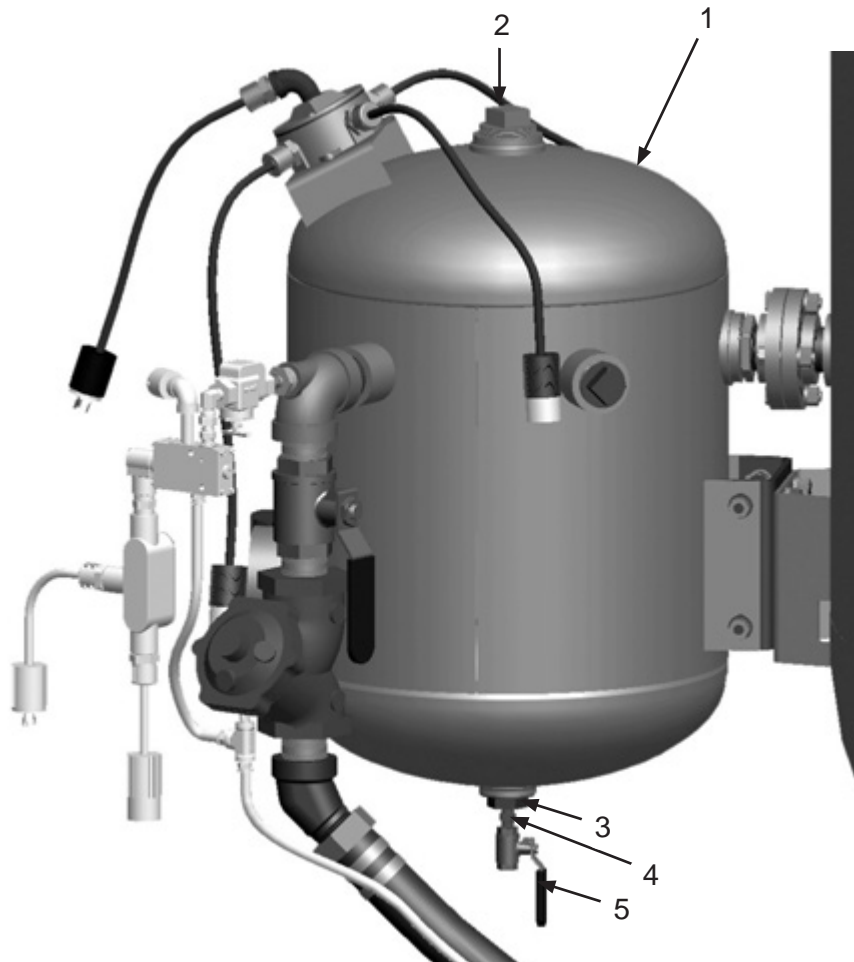
	Mounting Option	Number of Outlets	Power Source	Remote Control Switch	Metering Valve Sleeve	
	Stationary				Tungsten Carbide	Urethane
<b>Part Numbers</b>	10108074	2	Pneumatic	152	X	
	10108075	2	Pneumatic	152		X
	10108080	2	12-Volt DC	151	X	
	10108081	2	12-Volt DC	151		X
	10108086	2	120-Volt AC	151	X	
	10108087	2	120-Volt AC	151		X
	10108076	3	Pneumatic	152	X	
	10108077	3	Pneumatic	152		X
	10108082	3	12-Volt DC	151	X	
	10108083	3	12-Volt DC	151		X
	10108088	3	120-Volt AC	151	X	
	10108089	3	120-Volt AC	151		X
	10108078	4	Pneumatic	152	X	
	10108079	4	Pneumatic	152		X
	10107970	4	12-Volt DC	151	X	
	10108085	4	12-Volt DC	151		X
	10108090	4	120-Volt AC	151	X	
	10108091	4	120-Volt AC	151		X

The 20" stationary legs are ideal when the abrasive blasting pot will be in the same location for an extended period of time.



## PART NUMBERS AND SCHEMATICS

Figure 1: Moisture Separator Assembly



Item #	Part #	Description
--------	--------	-------------

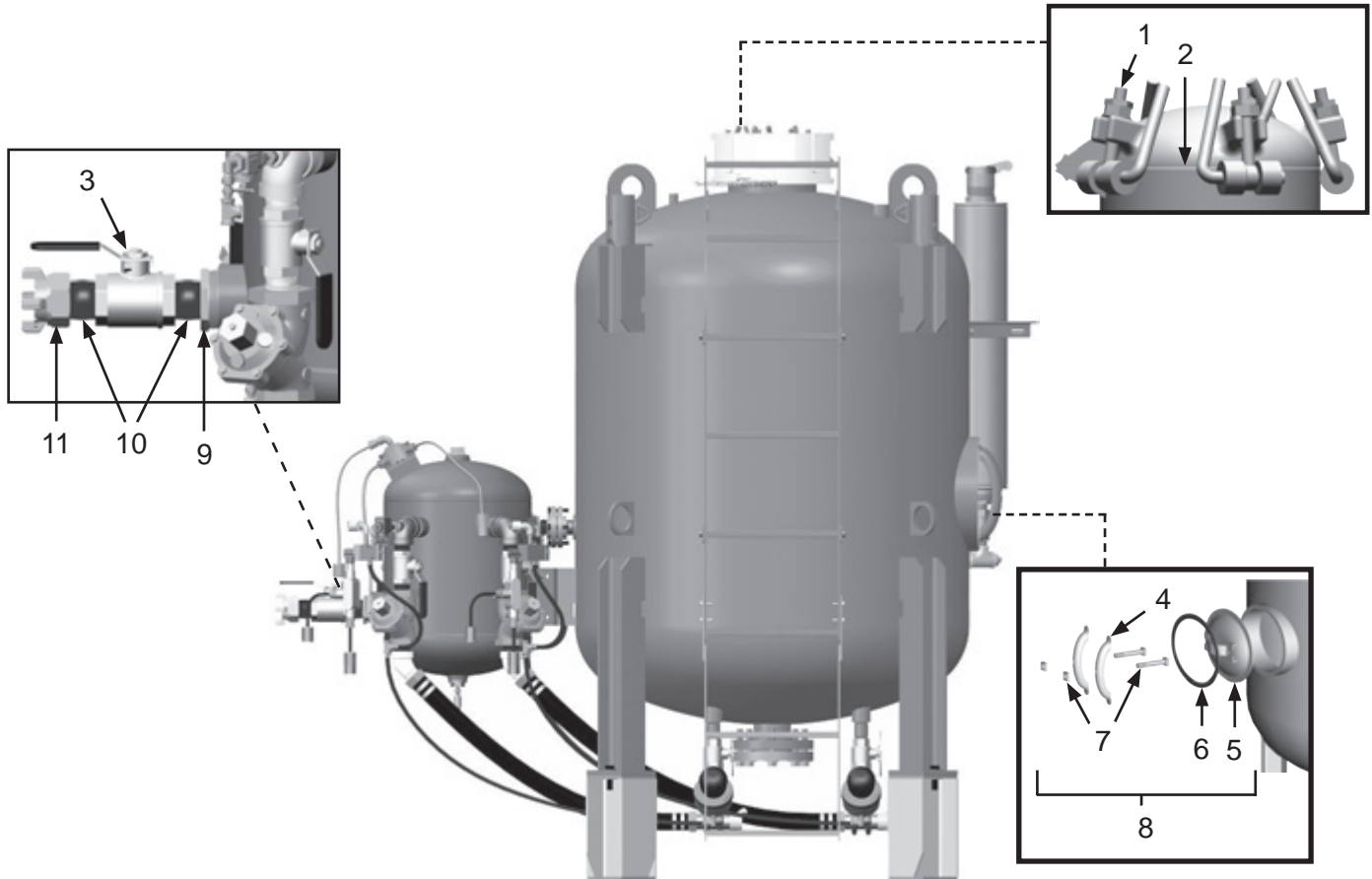
Fig. 1

1	1081616	1600 CFM Moisture Separator
2	1011823	2" Pipe Plug
3	1011822	1-1/2" (M) NPT x 1/4" (F) NPT Bushing
4	1017019	1/4" x 1/4" NPT Hex Nipple
5	1080050	1/4" NPT Full Port Brass Ball Valve



## PART NUMBERS AND SCHEMATICS

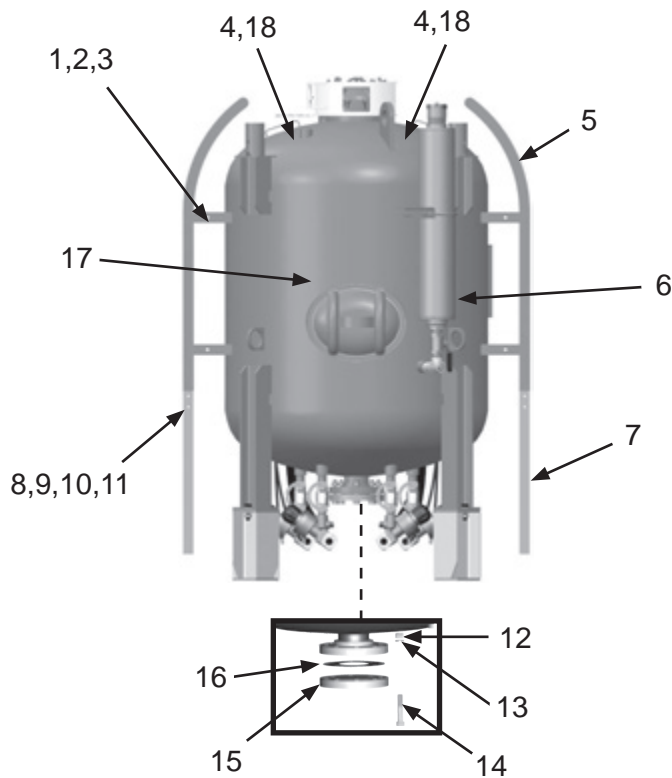
Figure 2: External Fittings and Components, Side View



Item #	Part #	Description
<b>Fig. 2</b>		
1	10100698	Camlock Assembly <i>(Five Required)</i>
2	10100697	10" Hatch O-Ring
3	1011604	2" NPT Full Port Brass Ball Valve
4	10000365	Manway Crab <i>(Two Required)</i>
5	10000364	12" x 16" Manway Cover
6	10100703	12" x 16" Manway Assembly Gasket
7	1011848	Manway Nut and Bolt <i>(Two Required)</i>
8	10100702	12" x 16" Manway Assembly <i>(Includes Item #'s: 7, 8, 9, and 10)</i>
9	10101183	3" MNPT x 2" FNPT Bushing
10	1001806	2" NPT Close Nipple <i>(Two Required)</i>
11	10ME5	2" 4-Lug Female NPT Coupling

## PART NUMBERS AND SCHEMATICS

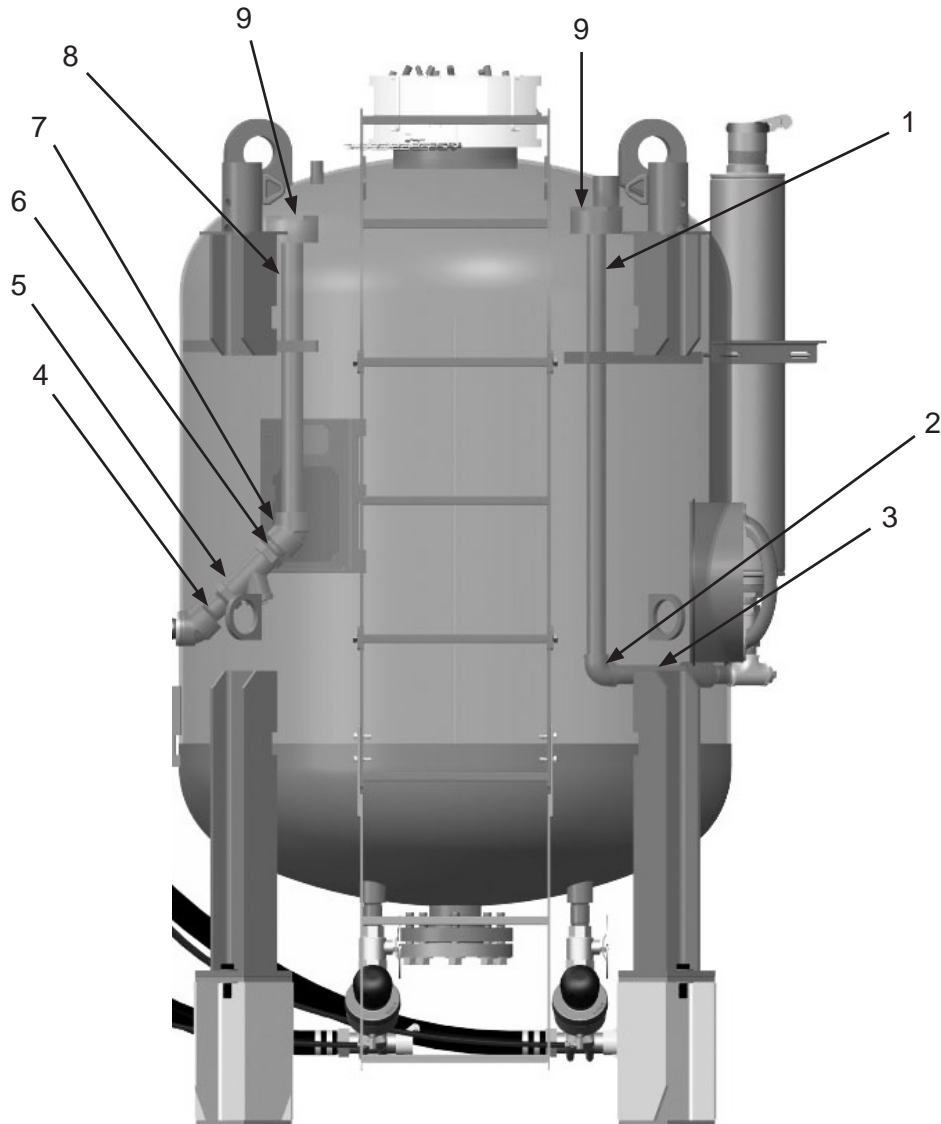
Figure 3: External Fittings and Components, Rear View



Item #	Part #	Description
<b>Fig. 3</b>		
1	10100597	1/2-13 x 1-1/4" UNC Hex Bolt (Four Required per Ladder)
2	10100598	1/2-13 Hex Nut (Four Required per Ladder)
3	10100599	1/2" Washer (Eight Required per Ladder)
4	1091052	Hazard Identification Sticker (Two Required)
5	10101348	Ladder Kit (Two Required per Abrasive Blasting Pot)
6	10103575	Absorptive Silencer U5-3
7	10000512	Ladder Extension (Two Required)
—	10103915	Ladder Extension with Tape (Two Required)
8	10101938	3/8"-16 Hex Nut (Eight Required)
9	10101936	3/8" Lock Washer (Eight Required)
10	10101942	3/8" Flat Washer (Eight Required)
11	10101059	3/8-16 x 1-1/4" A307 Bolt (Eight Required)
12	10100595	3/4-10 Hex Nut (Eight Required)
13	10100596	3/4" Lock Washer (Eight Required)
14	10100594	3/4-10 x 4" Hex Bolt (Eight Required)
15	10000498	4" Blind Flange
16	10000501	4" Flange Gasket
17	1091054	Hazard Identification Sticker
18	1091144	Bulk Pot Hatch Sticker (Two Required)

## PART NUMBERS AND SCHEMATICS

Figure 4: Internal Fittings



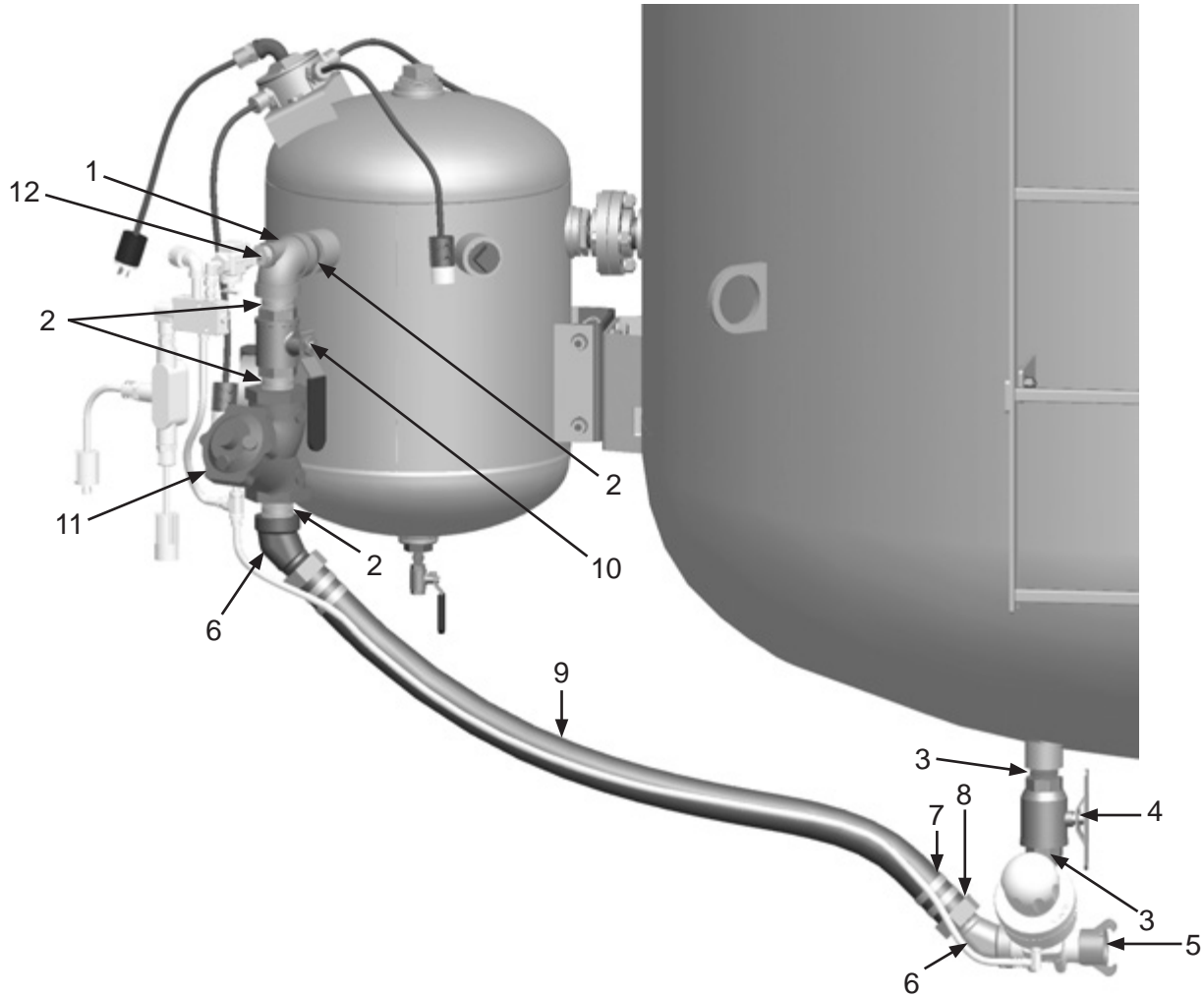
Item #	Part #	Description
--------	--------	-------------

Fig. 4

1	10107972	1-1/4" x 38" Toe Nipple
2	1006204	1-1/4" NPT 90° Elbow
3	1006207	1-1/4" NPT x 8" Nipple – Galvanized
4	1011203	1-1/2" x 3" Nipple – Galvanized
5	1011841	1-1/2" Y-Strainer
6	1014015	1-1/2" Close Nipple – Galvanized
7	10000328	1-1/2" NPT 45° Coupling
8	10107971	1-1/4" x 38" Toe Nipple
9	10000349	Internal Media Deflector ( <i>Two Required</i> )

## PART NUMBERS AND SCHEMATICS

Figure 5: Pipe String Assembly



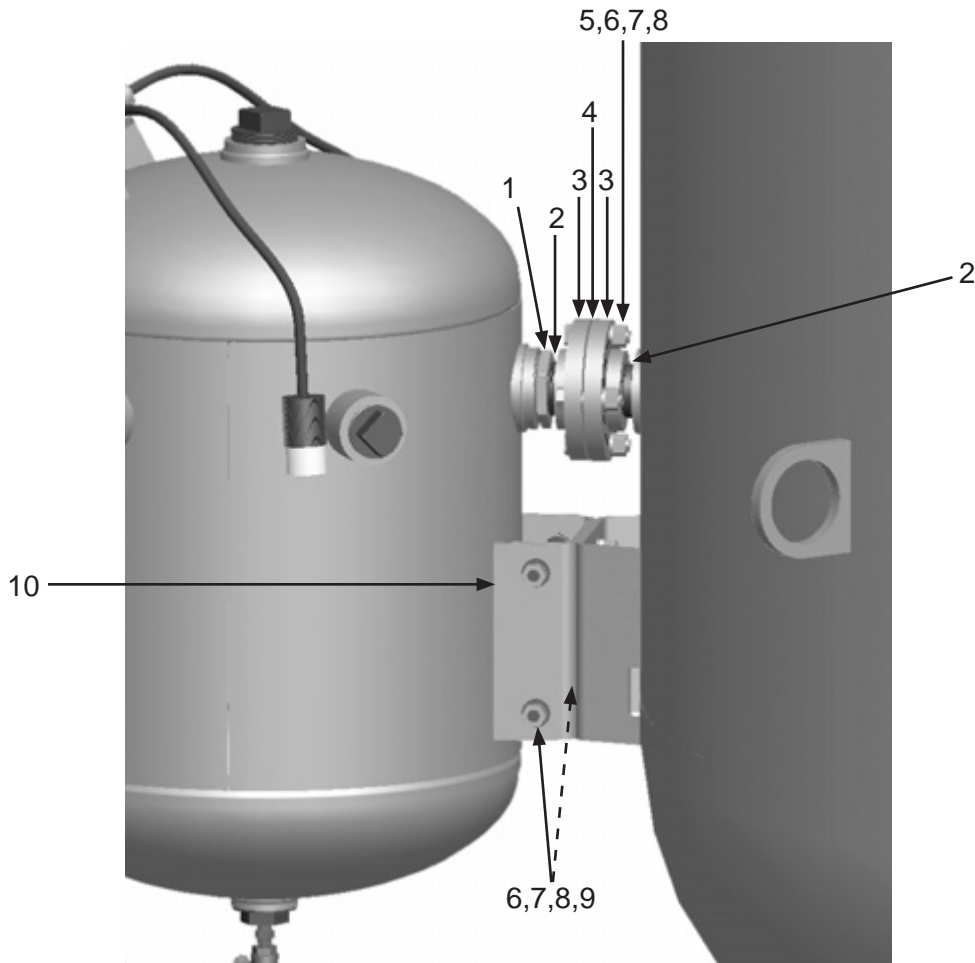
Item #	Part #	Description
--------	--------	-------------

**Fig. 5**

1	1011829	1-1/2" x 3/4" x 1-1/2" Reducing Tee
2	1014015	1-1/2" Close Nipple ( <i>Three Required</i> )
3	1011201	1-1/4" NPT Close Nipple
4	1011606A	1-1/4" Union End Brass Ball Valve
5	10SB2S	1-1/2" NPT Brass Tank Coupling
6	1011805	1-1/2" NPT 45° Street Elbow ( <i>Two Required</i> )
7	10AHCL3	Band Clamp ( <i>Four Required</i> )
8	10SFE4	1-1/2" NPT Swivel Female Air Hose Fitting ( <i>Two Required</i> )
9	10AH112B	1-1/2" I.D. Air Hose – Per Foot
10	1011603	1-1/2" NPT Full Port Brass Ball Valve
11	1013600	High-Flow Gatekeeper Air Valve – 1-1/2"
12	10100524	3/4" x 1/4" Galvanized Bushing

## PART NUMBERS AND SCHEMATICS

Figure 6: Moisture Separator Mounting Assembly



Item #	Part #	Description
<b>Fig. 6</b>		
1	1001868	2" x 1-1/2" Bushing
2	1011849	1-1/2" Close Nipple ( <i>Two Required</i> )
3	1011784	1-1/2" Flange ( <i>Two Required</i> )
4	1011785	1-1/2" Flange Gasket
5	1011786	1/2" UNC x 2-1/4" Hex Bolt ( <i>Four Required</i> )
6	10100675	1/2" Lock Washer ( <i>Eight Required</i> )
7	10100674	1/2" Flat Washer ( <i>Eight Required</i> )
8	10101941	1/2-13 Hex Nut ( <i>Eight Required</i> )
9	10100597	1/2-13 x 1-1/4" UNC Hex Bolt ( <i>Four Required</i> )
10	10101171	Bulk Pot Moisture Separator Mounting Bracket

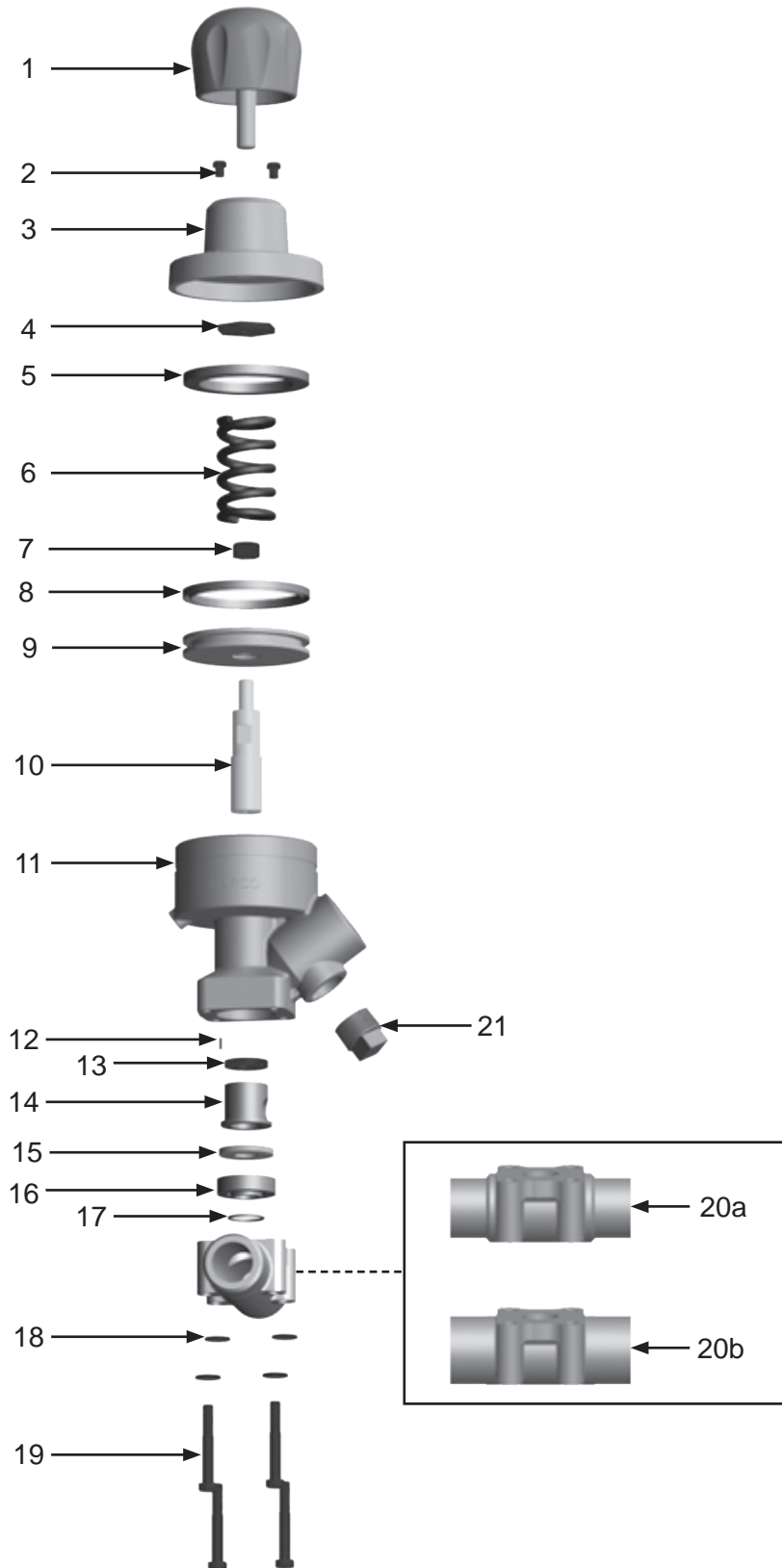
## PART NUMBERS AND SCHEMATICS

### Blastmaster® Maxum III Abrasive Metering Valve

Item #	Part #	Description
<b>Fig. 7</b>		
—	10101949	1-1/4" Blastmaster® Maxum III Abrasive Metering Valve – Tungsten Carbide Sleeve – Complete
—	10105907	1-1/4" Blastmaster® Maxum III Abrasive Metering Valve – Multi-port Sleeve – Complete
—	10101950	1-1/2" Blastmaster® Maxum III Abrasive Metering Valve – Tungsten Carbide Sleeve – Complete
—	10105908	1-1/2" Blastmaster® Maxum III Abrasive Metering Valve – Multi-port Sleeve – Complete
1	10101969	Knob
2	1012905	1/8" Breather Muffler <i>(Two Required)</i>
3	1014211	Cap
4	10106831	Vibration Disc
5	1014212	Bump Ring
6	1014213	Spring
7	1014022	1/2–13 Nut
8	1014215	Piston Seal
9	1014216	Piston
10	1014217	Tungsten Carbide Plunger
11	10101772	Body
12	1014240	3/32" x 3/8" Groove Pin
13	10103977	Heavy-Duty Plunger Seal
14	1014238	Tungsten Carbide Sleeve
—	10102123	Carbon Steel Sleeve- Multi-Port - <i>Optional (Orifice sizes: 0.178", 0.218", 0.278" and 0.343")</i>
15	1014237	Seat for Tungsten Carbide Sleeve
16	1014236	Insert for Tungsten Carbide Sleeve
17	1014235	O-ring for Tungsten Carbide Sleeve
18	1014241	3/8" Washer <i>(Four Required)</i>
19	10101933	3/8–16 x 2-1/2" Bolt <i>(Four Required)</i>
20a	10000229	1-1/4" Base, Through Hardened <i>(For use with 10101949)</i>
20b	10000230	1-1/2" Base, Through Hardened <i>(For use with 10101950)</i>
21	1011901	1" Square Pipe Plug
—	1014243	Repair Kit with Tungsten Carbide Sleeve <i>(Includes Item #'s: 8, 10, 13, 14, 15, 16, and 17)</i>
—	10105909	Repair Kit with Carbon Steel Multi-port Sleeve <i>(Includes Item #'s: 8, 10, 13, 14, 15, 16, and 17)</i>
—	1014221	Soft Seal Kit <i>(Includes Item #'s: 8, 13, 15 and 17)</i>
—	1091045	Hazard Identification Tag

# PART NUMBERS AND SCHEMATICS

Figure 7: Blastmaster® Maxum III Abrasive Metering Valve



## PART NUMBERS AND SCHEMATICS

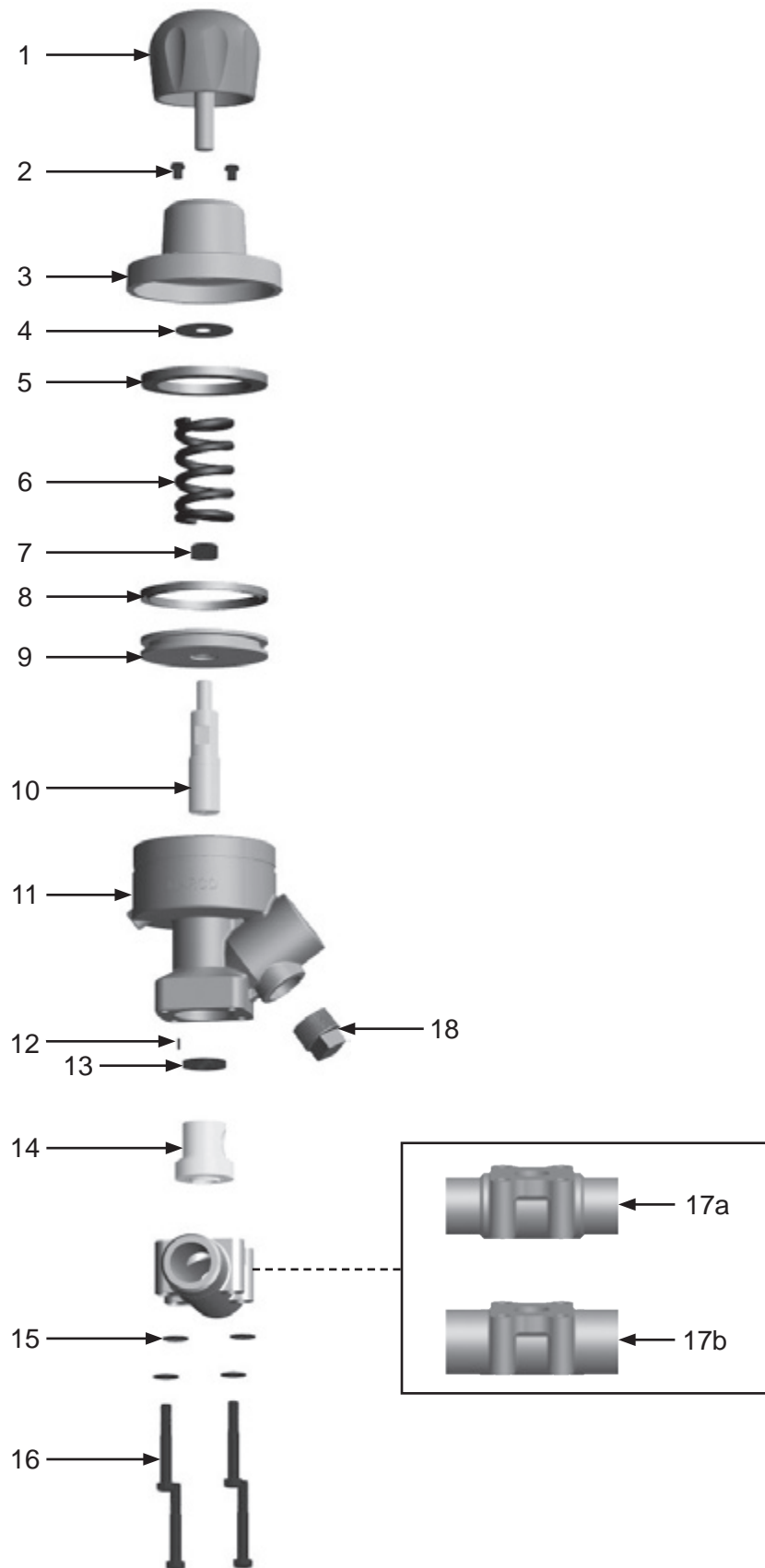
### Blastmaster® Maxum III Abrasive Metering Valve – Urethane Sleeve

Item #	Part #	Description
<b>Fig. 8</b>		
—	<b>10101945</b>	<b>1-1/4" Blastmaster® Maxum III Abrasive Metering Valve – Urethane Sleeve – Complete</b>
—	<b>10101946</b>	<b>1-1/2" Blastmaster® Maxum III Abrasive Metering Valve – Urethane Sleeve – Complete</b>
1	10101969	Knob
2	1012905	1/8" Breather Muffler <i>(Two Required)</i>
3	1014211	Cap
4	10106831	Vibration Disc
5	1014212	Bump Ring
6	1014213	Spring
7	1014022	1/2–13 Nut
8	1014215	Piston Seal
9	1014216	Piston
10	1014217	Tungsten Carbide Plunger
11	10101772	Body
12	1014240	3/32" x 3/8" Groove Pin
13	10103977	Heavy-Duty Plunger Seal
14	1014229	Urethane Sleeve
15	1014241	3/8" Washer <i>(Four Required)</i>
16	10101933	3/8-16 x 2-1/2" Bolt <i>(Four Required)</i>
17a	10000229	1-1/4" Base, Through Hardened <i>(For use with 10101945)</i>
17b	10000230	1-1/2" Base, Through Hardened <i>(For use with 10101946)</i>
18	1011901	1" Square Pipe Plug
—	1014244	Repair Kit with Urethane Sleeve <i>(Includes Item #'s: 8, 10, 13 and 14)</i>
—	1014222	Soft Seal Kit <i>(Includes Item #'s: 8, 13, and 14)</i>
—	1091045	Hazard Identification Tag



## PART NUMBERS AND SCHEMATICS

Figure 8: Blastmaster® Maxum III Abrasive Metering Valve – Urethane Sleeve



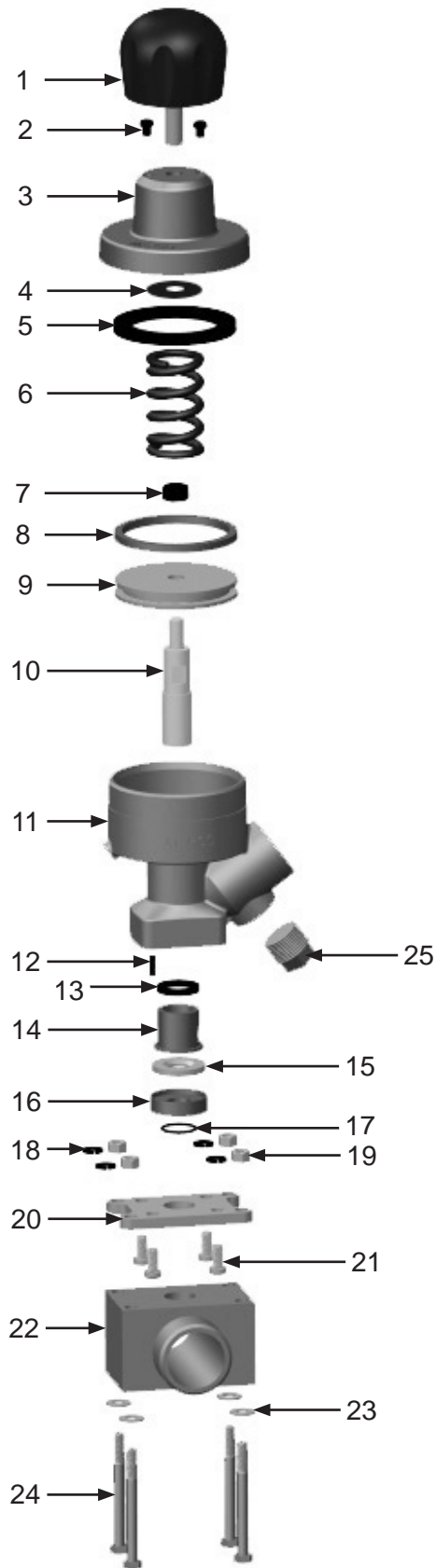
## PART NUMBERS AND SCHEMATICS

### Blastmaster® Maxum III Abrasive Metering Valve — Tungsten Carbide Sleeve — 2”

Item #	Part #	Description
<b>Fig. 9</b>		
—	<b>10105872</b>	<b>2” Blastmaster® Maxum III Abrasive Metering Valve – Tungsten Carbide Sleeve – Complete</b>
1	10101969	Knob
2	1012905	1/8" Breather Muffler <i>(Two Required)</i>
3	1014211	Cap
4	10106831	Vibration Disc
5	1014212	Bump Ring
6	1014213	Spring
7	1014022	1/2-13 Nut
8	1014215	Piston Seal
9	1014216	Piston
10	1014217	Tungsten Carbide Plunger
11	10101772	Body
12	1014240	3/32" x 3/8" Groove Pin
13	10103977	Heavy-Duty Plunger Seal
14	1014238	Tungsten Carbide Sleeve
15	1014237	Seat for Tungsten Carbide Sleeve
16	1014236	Insert for Tungsten Carbide Sleeve
17	1014235	O-ring for Tungsten Carbide Sleeve
18	10101936	3/8" Washer <i>(Four Required)</i>
19	10101938	3/8-16 Hex Nut <i>(Four Required)</i>
20	10105568	Adapter Plate
21	10105570	3/8-16 X 3/4" Socket Head Cap Screw <i>(Four Required)</i>
22	10105567	2" Base, Through Hardened <i>(For use with 10105573)</i>
23	1014241	3/8" Washer <i>(Four Required)</i>
24	10105569	3/8-16 x 3-3/4" Bolt <i>(Four Required)</i>
25	1011901	1" Square Pipe Plug
—	1014243	Repair Kit with Tungsten Carbide Sleeve <i>(Includes Item #'s: 8, 10, 13, 14, 15, 16, and 17)</i>
—	1014221	Soft Seal Kit <i>(Includes Item #'s: 8, 13, 15 and 17)</i>
—	1091045	Hazard Identification Tag

## PART NUMBERS AND SCHEMATICS

Figure 9: Blastmaster® Maxum III Abrasive Metering Valve — Tungsten Carbide Sleeve — 2”



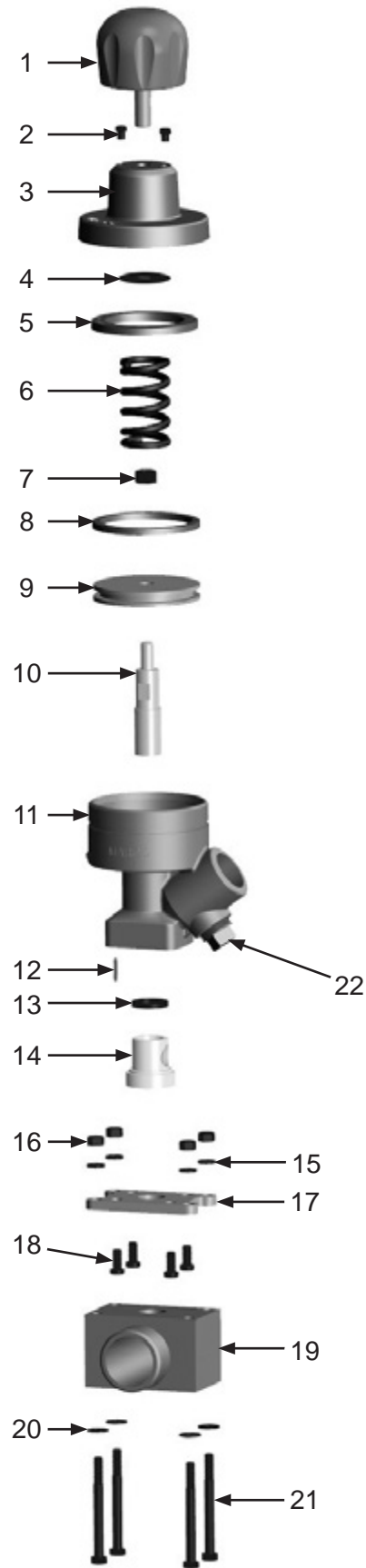
## PART NUMBERS AND SCHEMATICS

### Blastmaster® Maxum III Abrasive Metering Valve — Urethane Sleeve — 2”

Item #	Part #	Description
<b>Fig. 10</b>		
—	<b>10105573</b>	<b>2” Blastmaster® Maxum III Abrasive Metering Valve – Urethane Sleeve – Complete</b>
1	10101969	Knob
2	1012905	1/8" Breather Muffler <i>(Two Required)</i>
3	1014211	Cap
4	10106831	Vibration Disc
5	1014212	Bump Ring
6	1014213	Spring
7	1014022	1/2–13 Nut
8	1014215	Piston Seal
9	1014216	Piston
10	1014217	Tungsten Carbide Plunger
11	10101772	Body
12	1014240	3/32" x 3/8" Groove Pin
13	10103977	Heavy-Duty Plunger Seal
14	1014229	Urethane Sleeve
15	10101936	3/8" Washer <i>(Four Required)</i>
16	10101938	3/8–16 Hex Nut <i>(Four Required)</i>
17	10105568	Adapter Plate
18	10105570	3/8-16 X 3/4" Socket Head Cap Screw <i>(Four Required)</i>
19	10105567	2” Base, Through Hardened <i>(For use with 10105573)</i>
20	1014241	3/8” Washer <i>(Four Required)</i>
21	10105569	3/8–16 x 3-3/4" Bolt <i>(Four Required)</i>
22	1011901	1" Square Pipe Plug
—	1014244	Repair Kit with Urethane Sleeve <i>(Includes Item #'s: 8, 10, 13 and 14)</i>
—	1014222	Soft Seal Kit <i>(Includes Item #'s: 8, 13, and 14)</i>
—	1091045	Hazard Identification Tag

## PART NUMBERS AND SCHEMATICS

Figure 10: Blastmaster® Maxum III Abrasive Metering Valve — Urethane Sleeve — 2”



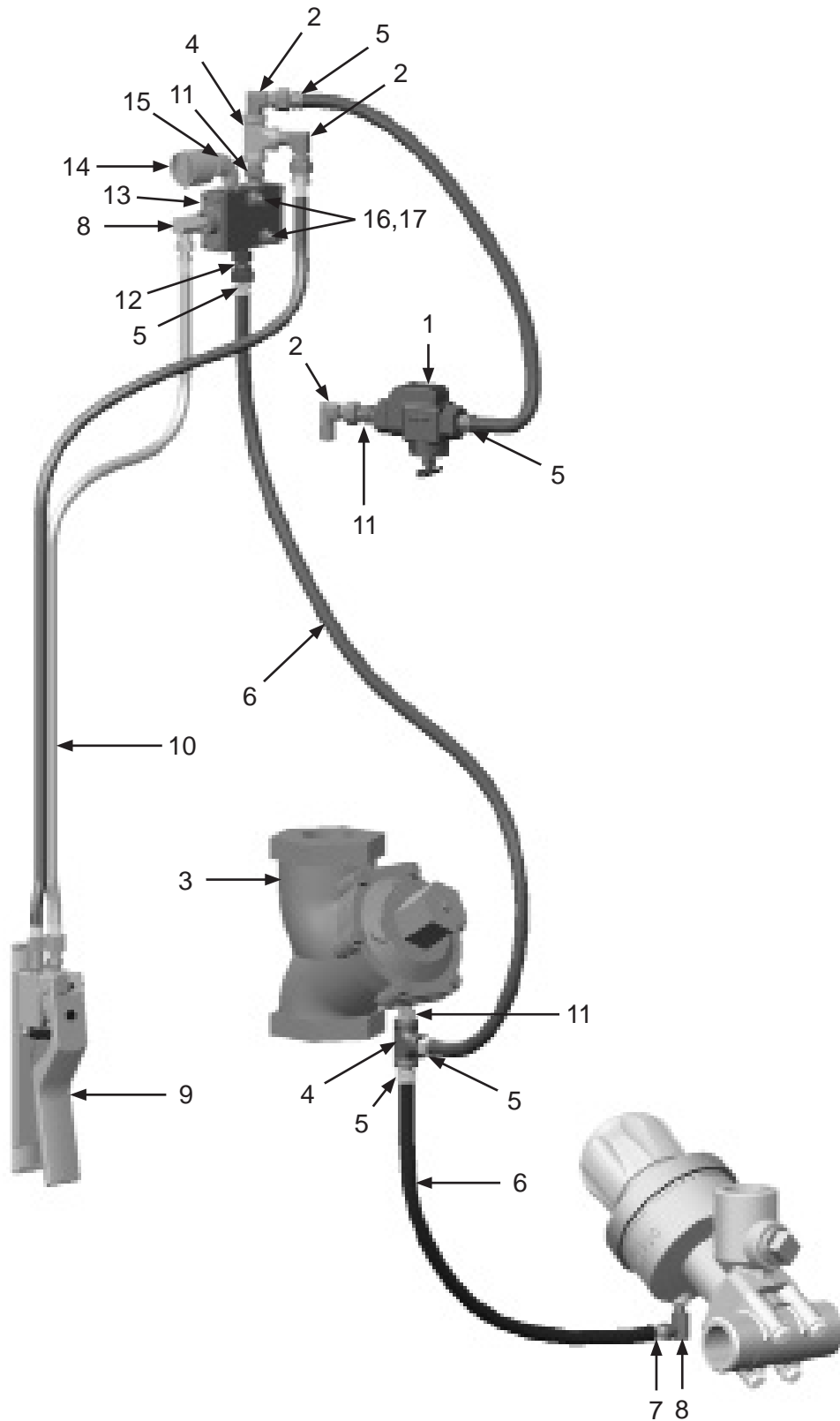
## PART NUMBERS AND SCHEMATICS

### Blastmaster® 130P Remote Control System

Item #	Part #	Description
<b>Fig. 11</b>		
—	<b>10103834</b>	<b>Blastmaster® 130P Remote Control System — Complete</b>
1	10WS	Watts Strainer
2	1012326	1/4" Swivel 90° Fitting ( <i>Three Required</i> )
3	1013600	1-1/2" NPT High-flow GateKeeper Air Valve ( <i>See Figure 3</i> )
4	1011844	1/4" NPT Pipe Tee ( <i>Two Required</i> )
5	10PAF025	1/4" Push-On Hose Fitting ( <i>Five Required</i> )
6	10AH025	1/4" Push-On Air Hose ( <i>Per Foot</i> )
7	10PAF0125	1/8" Push-On Air Hose Fitting
8	1014239	1/8" 90° Swivel Fitting ( <i>Two Required</i> )
9	1015200	Blastmaster® 152P Remote Control Switch
10	1016000	55 ft. of Pneumatic Control Line with 1/4" & 1/8" Male and Female Fittings
11	1017019	1/4" x 1/4" Hex Nipple ( <i>Three Required</i> )
12	10SME025	1/4" Straight Swivel
13	1019000	190 Pneumatic Solenoid ( <i>See Figure 5</i> )
14	10DE025	1/4" NPT Dust Eliminator
15	1011824	1/4" Street Elbow
16	1019044	1/4-20 x 1-3/4" Zinc Bolt ( <i>Two Required</i> )
17	1012323	1/4-20 Zinc Lock Nut with Nylon ( <i>Two Required</i> )
—	1091045	Hazard Identification Tag

# PART NUMBERS AND SCHEMATICS

Figure 11: Blastmaster® 130P Remote Control System



## PART NUMBERS AND SCHEMATICS

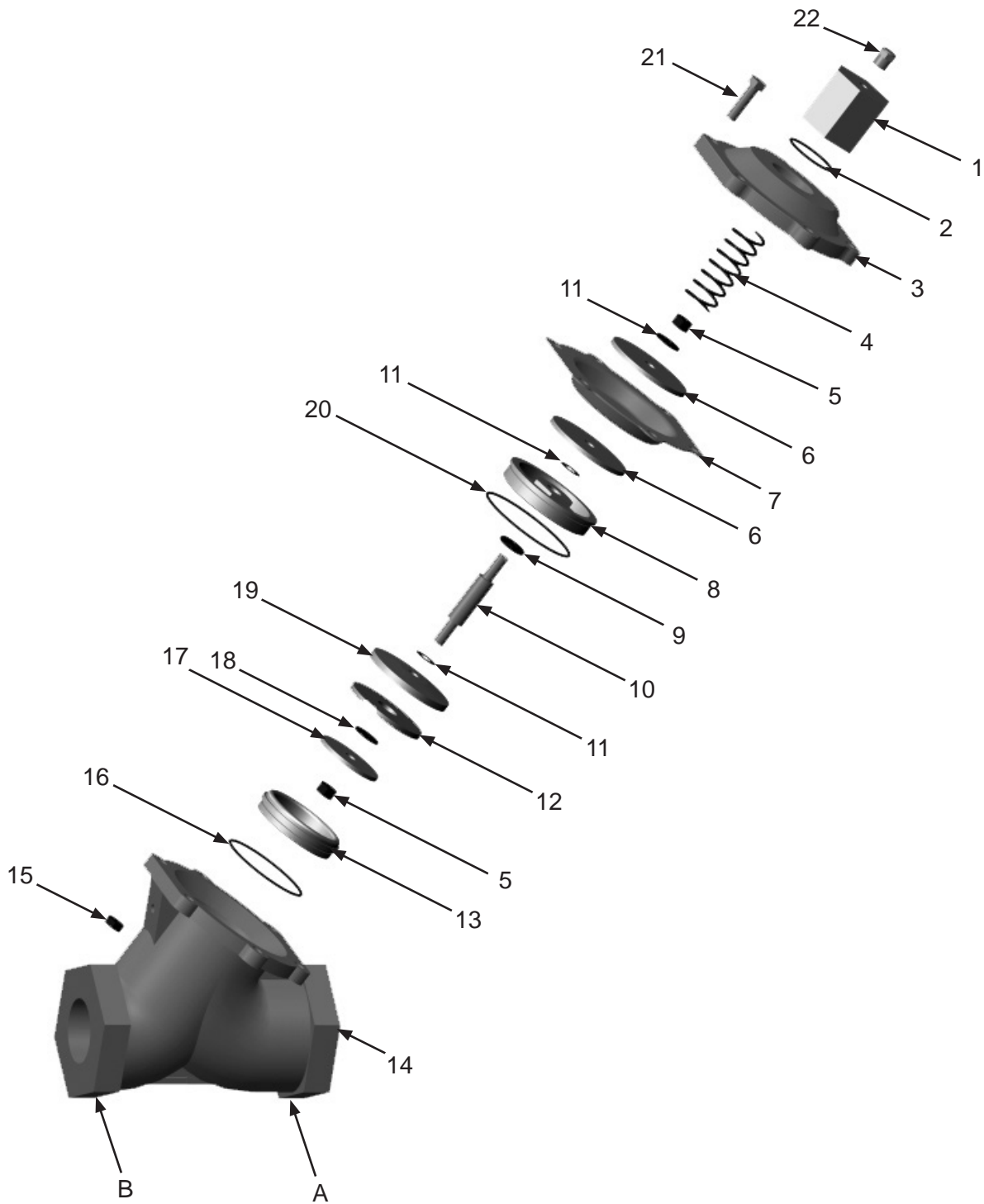
### 1-1/2" NPT High-flow GateKeeper Air Valve

Item #	Part #	Description
<b>Fig. 12</b>		
—	<b>1013600</b>	<b>1-1/2" NPT High-flow GateKeeper Air Valve</b>
1	1013322	Spring Retainer
2	1013326	O-ring
3	1013312	Cap
4	1013323	Spring
5	1013313	Lock Nut
6	1013315	Diaphragm Plate <i>(Two Required)</i>
7	1013303	Diaphragm
8	1013305	Retainer Bushing
9	1013306	O-ring
10	1013318	Shaft
11	1013302	Gasket <i>(Two Required)</i>
12	1013320	Disc
13	1013311	Lock Nut
13	1013309	Seat
14	1013328	Body
15	1013316	Nut <i>(Six Required)</i>
16	1013308	Seat O-Ring
17	1013310	Disc Plate
18	1013327	Brass Washer
19	1013307	Disc Retainer
20	1013304	O-ring
21	1013314	Cap Screw <i>(Six Required)</i>
22	1012905	1/8" Breather Muffler
A	1091050	Sticker - Air Inlet
B	1091051	Sticker - Air Outlet
—	1013301	1-1/2" NPT High-flow GateKeeper Air Valve Service Kit <i>(Includes Item #'s: 5, 7, 9, 11, 12, 17, and 20)</i>



# PART NUMBERS AND SCHEMATICS

Figure 12: 1-1/2" NPT High-flow GateKeeper Air Valve



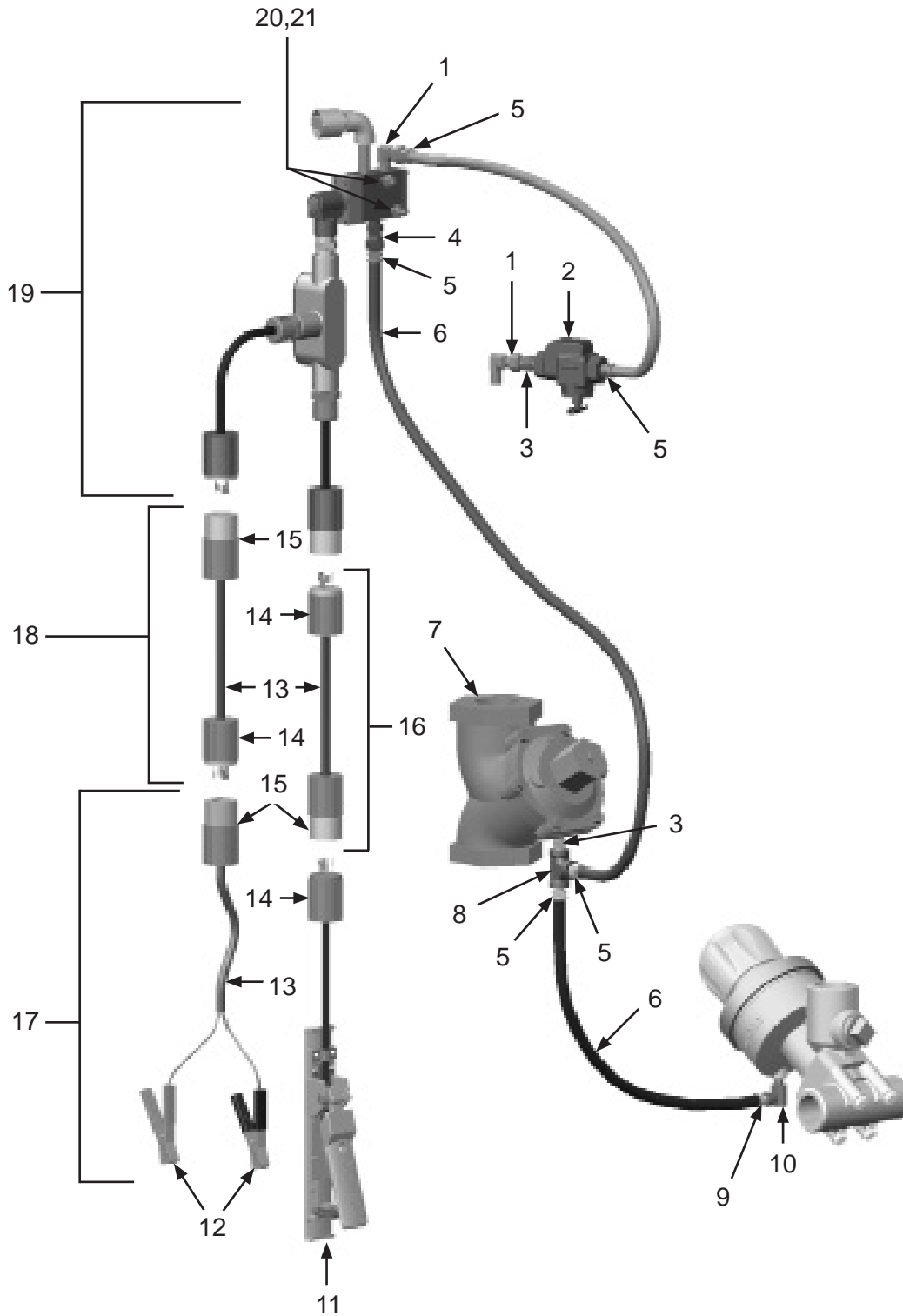
## PART NUMBERS AND SCHEMATICS

### 12-Volt DC Blastmaster® 130E Remote Control System

Item #	Part #	Description
<b>Fig. 13</b>		
—	<b>10103835</b>	<b>12-Volt DC Blastmaster® 130E Remote Control System – Complete</b>
1	1012326	1/4" NPT Swivel 90° Fitting <i>(Two Required)</i>
2	10WS	Watts Strainer
3	1017019	1/4" NPT Hex Nipple <i>(Two Required)</i>
4	10SME025	1/4" Straight Swivel
5	10PAF025	1/4" NPT x 1/4" Barb Push-On Hose Fitting <i>(Five Required)</i>
6	10AH025	1/4" Push-On Air Hose <i>(Per Foot)</i>
7	1013600	1-1/2" NPT High-flow GateKeeper Air Valve <i>(See Figure 12)</i>
8	1011844	1/4" NPT Pipe Tee
9	10PAF0125	1/8" NPT x 1/4" Barb Push-On Air Hose Fitting
10	1014239	1/8" 90° Swivel Fitting
11	1015100	Blastmaster® 151E Remote Control Switch
12	1030718	Battery Clamps – pair
13	1015540	16/2 Power Cord <i>(Per Foot)</i>
14	1015555	3-prong Twist-Lock Plug – Male
15	1015556	3-prong Twist-Lock Plug – Female
16	1015545	50' of 16/2 SJ Power Cord with 3-prong Twist-Lock Plugs <i>(Includes Item #'s: 15, 16, and 14 (Quantity of 50 Feet))</i>
17	1015544	Battery Clamp Kit with 3-prong Twist-Lock Plug Installed <i>(Includes Item #'s: 13, 16, and 14 (Quantity of Two Feet))</i>
18	1015546	16/2 SJ Power Cord with 3-prong Twist-Lock Plugs Installed <i>(Includes Item #'s: 15, 16, and 14 (Quantity of 25 Feet))</i>
19	1019051	12-Volt DC 190 Electric Control Assembly <i>(See Figure 3)</i>
20	1019044	1/4"-20 x 1-3/4" Zinc Bolt <i>(Two Required)</i>
21	1012323	1/4"-20 Zinc Lock Nut with Nylon <i>(Two Required)</i>
—	1091045	Hazard Identification Tag

# PART NUMBERS AND SCHEMATICS

Figure 13: 12-Volt DC Blastmaster® 130E Remote Control System



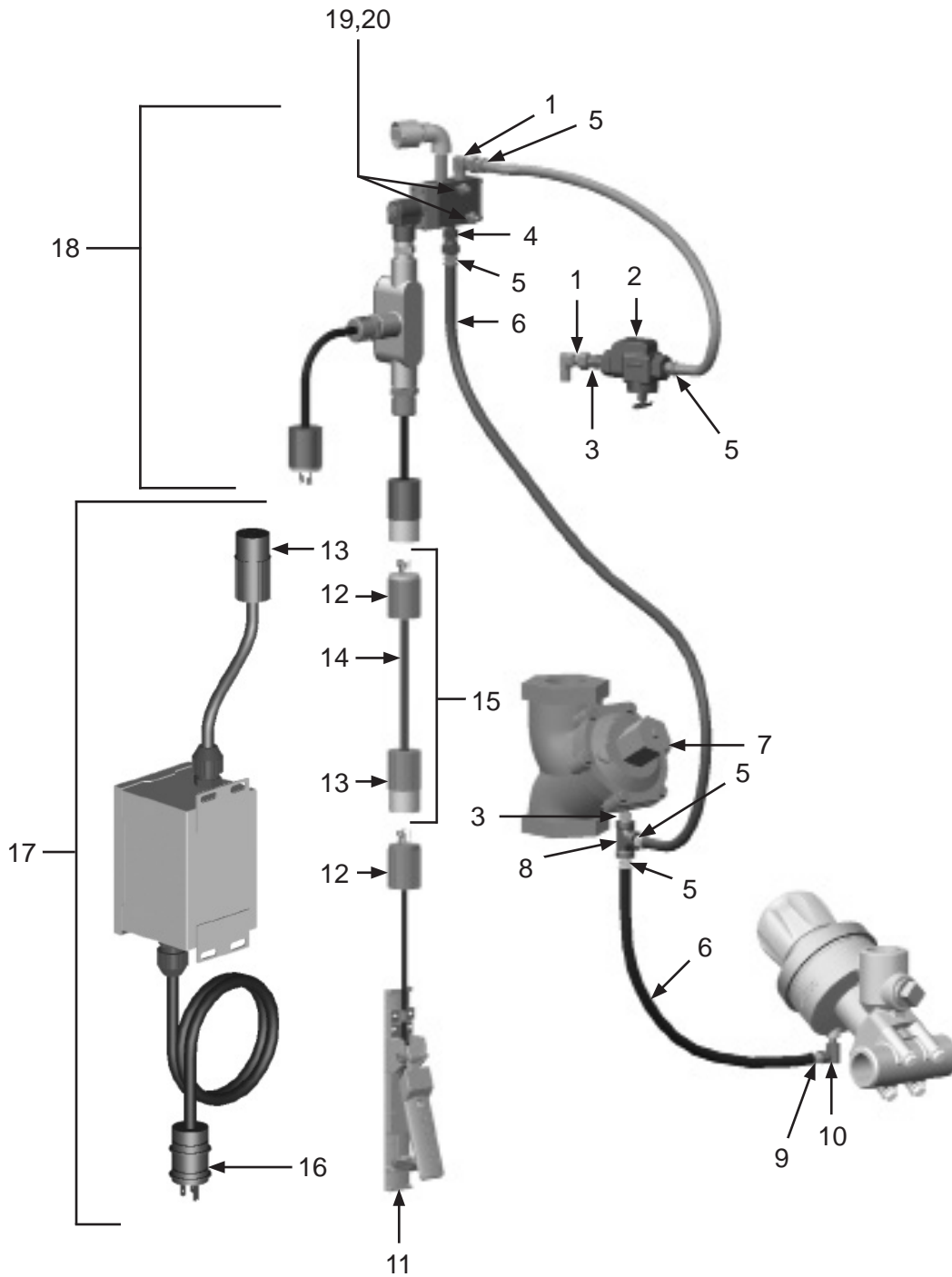
## PART NUMBERS AND SCHEMATICS

### 120-Volt AC Blastmaster® 130E Remote Control System

Item #	Part #	Description
<b>Fig. 14</b>		
—	<b>10103836</b>	<b>120-Volt AC Blastmaster® 130E Remote Control System – Complete</b>
1	1012326	1/4" NPT Swivel 90° Fitting <i>(Two Required)</i>
2	10WS	Watts Strainer
3	1017019	1/4" NPT Hex Nipple <i>(Two Required)</i>
4	10SME025	1/4" Straight Swivel
5	10PAF025	1/4" NPT x 1/4" Barb Push-On Hose Fitting <i>(Five Required)</i>
6	10AH025	1/4" Push-On Air Hose <i>(Per Foot)</i>
7	1013600	1-1/2" NPT High-flow GateKeeper Air Valve <i>(See Figure 12)</i>
8	1011844	1/4" NPT Pipe Tee
9	10PAF0125	1/8" NPT x 1/4" Barb Push-On Air Hose Fitting
10	1014239	1/8" 90° Swivel Fitting
11	1015100	Blastmaster® 151E Remote Control Switch
12	1015555	3-Prong Twist-Lock Plug – Male <i>(Two Required)</i>
13	1015556	3-Prong Twist-Lock Plug – Female
14	1015540	16/2 Power Cord <i>(Per Foot)</i>
15	1015545	50' of 16/2 SJ Power Cord with 3-prong Twist-Lock Plugs Installed <i>(Includes Item #'s: 12, 13, and 14 (Quantity of 50 Feet))</i>
16	1030026	120-Volt 3-prong Standard Male Plug
17	1030020	2 Amp 120-Volt AC to 12-Volt AC Power Converter for Single Outlet Configurations <i>(Includes Item #'s: 13 and 16) (See Figure 15a)</i>
—	10100713	3 Amp 120-Volt AC to 12-Volt AC Power Converter for Multiple Outlet Configurations <i>(Includes Item #'s: 13 and 16) (See Figure 15b)</i>
18	1019052	12-Volt DC 190 Electric Control Assembly <i>(See Figure 17)</i>
19	1019044	1/4"-20 x 1-3/4" Zinc Bolt <i>(Two Required)</i>
20	1012323	1/4"-20 Zinc Lock Nut with Nylon <i>(Two Required)</i>
—	1091045	Hazard Identification Tag

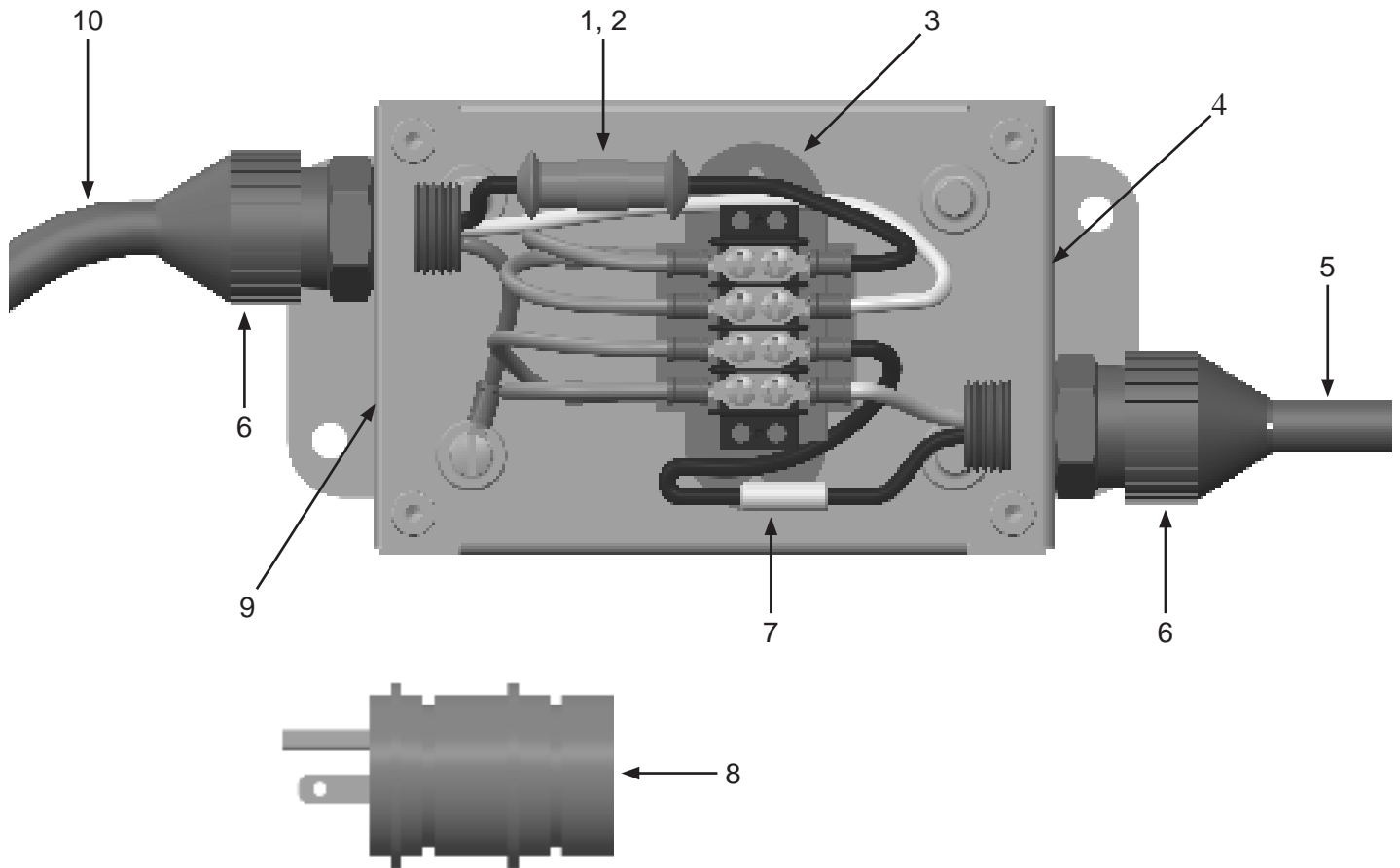
# PART NUMBERS AND SCHEMATICS

Figure 14: 120-Volt AC Blastmaster® 130E Remote Control System



## PART NUMBERS AND SCHEMATICS

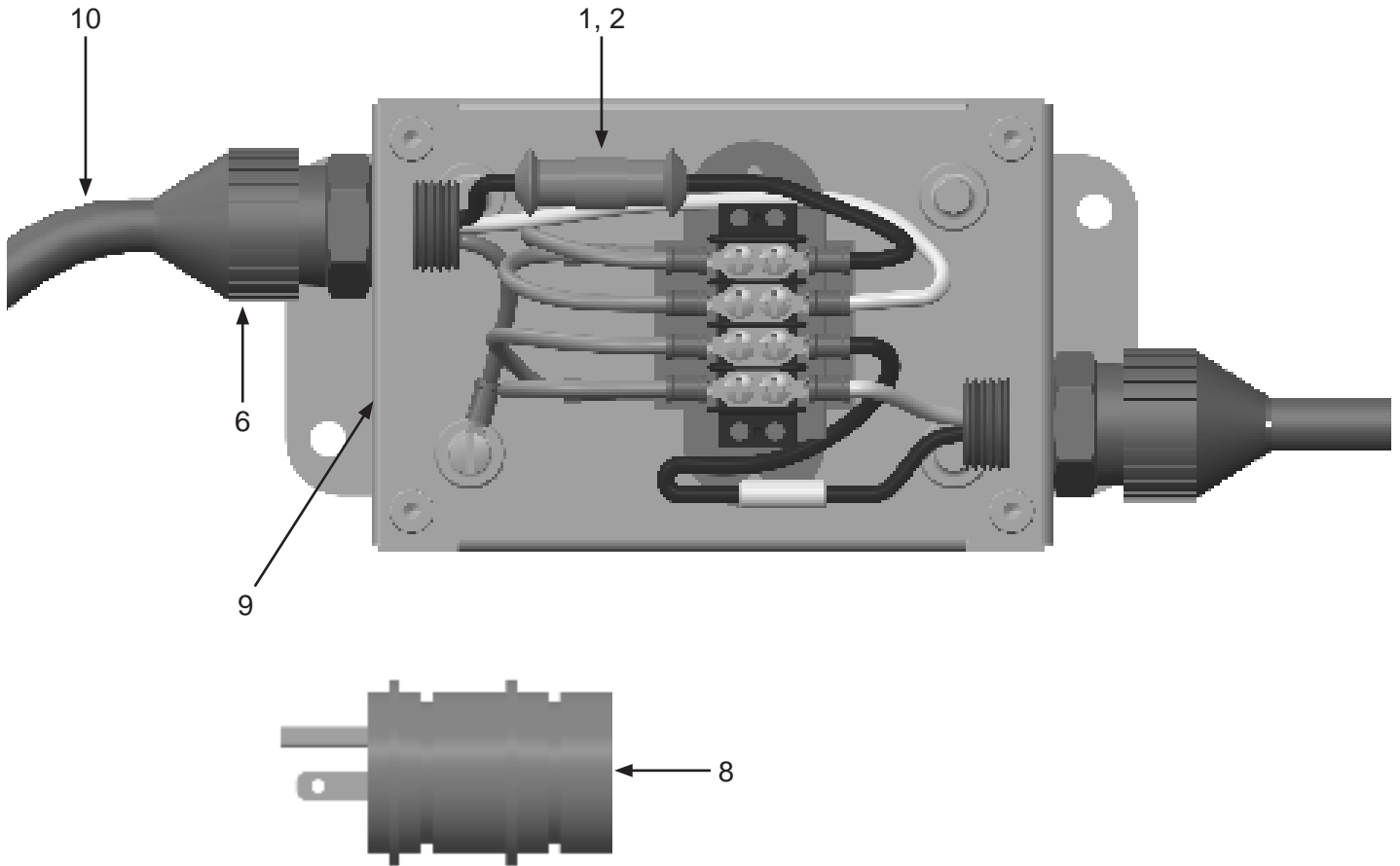
**Figure 15a: Blastmaster® 120-Volt AC to 12-Volt AC Power Converter For Single-Outlet Configurations**



Item #	Part #	Description
<b>Fig. 15a</b>		
—	<b>1030020</b>	<b>Blastmaster® 120-Volt AC to 12-Volt AC Power Converter – For Single-Outlet Configurations</b>
1	1030024	2 Amp Fuse
2	1030023	In-Line Fuse Holder
3	1030022	Transformer – Blastmaster® 120-Volt AC to 12-Volt AC Power Converter
4	1091067	Power-Out Decal ( <i>Not Shown</i> )
5	1030013	14/2 SEOOW Electric Cord ( <i>Per Foot</i> )
6	1030025	Strain Relief ( <i>Two Required</i> )
7	1030021	Resistor
8	1030026	3-Prong, 120-Volt AC Plug – Male
9	1092014	Power-In Decal ( <i>Not Shown</i> )
10	1015550	14/3 SEOOW Electrical Cord ( <i>Per Foot</i> )
—	1091063	Hazard Identification Decal

## PART NUMBERS AND SCHEMATICS

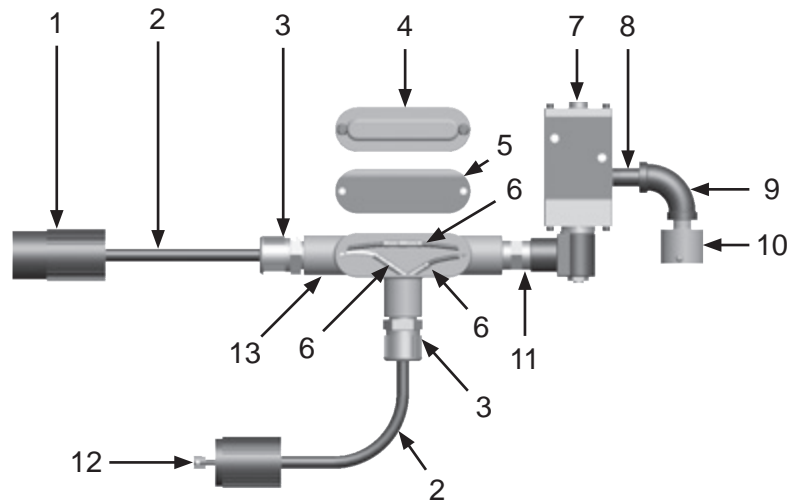
Figure 15b: Blastmaster® 120-Volt AC to 12-Volt AC Power Converter For Multiple Outlet Configurations



Item #	Part #	Description
<b>Fig. 15b</b>		
—	<b>10100713</b>	<b>Blastmaster® 120-Volt AC to 12-Volt AC Power Converter – For Multiple Outlet Configurations</b>
1	1030123	3 Amp Fuse
2	1030023	In-Line Fuse Holder
3	1030022	Transformer – Blastmaster® 120-Volt AC to 12-Volt AC Power Converter
4	1091067	Power-Out Decal ( <i>Not Shown</i> )
5	1030013	14/2 SEOW Power Cord ( <i>Per Foot</i> )
6	1030025	Strain Relief ( <i>Two Required</i> )
7	1030021	Resistor
8	1030026	3-Prong, 120-Volt AC Plug – Male
9	1092014	Power-In Decal ( <i>Not Shown</i> )
10	1015550	14/3 SEOW Electrical Cord ( <i>Per Foot</i> )
—	1091063	Hazard Identification Decal

## PART NUMBERS AND SCHEMATICS

Figure 16: 12-Volt DC 190 Electric Control Assembly



Item #	Part #	Description
--------	--------	-------------

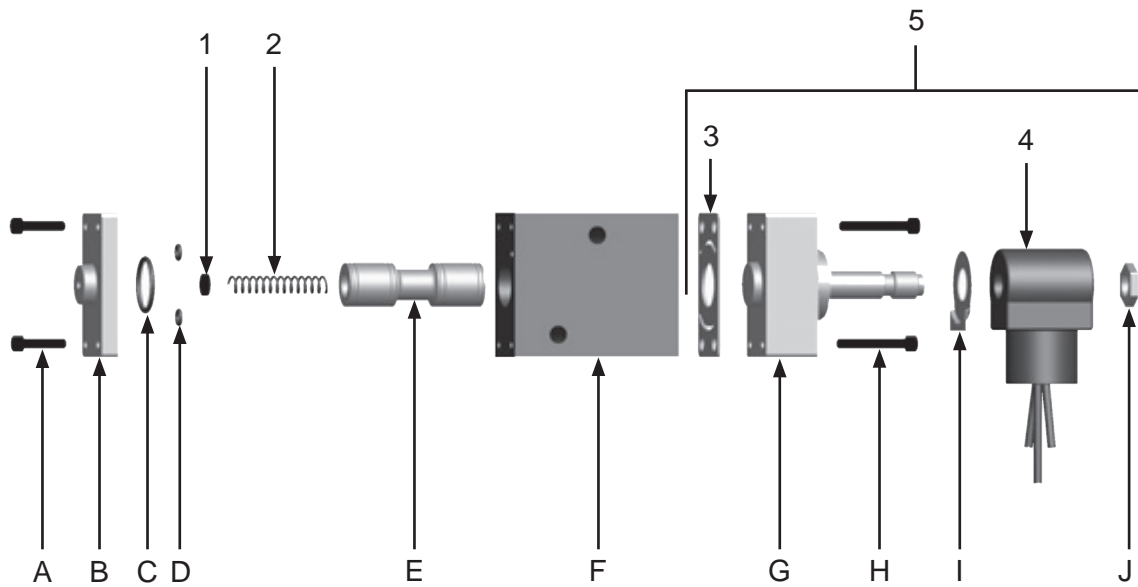
Fig. 16

—	<b>1019051</b>	<b>12-Volt DC 190 Electric Control Assembly – Complete</b>
1	1015556	3-Prong Twist-Lock Plug – Female
2	1015540	16/2 Power Cord – Per Foot
3	1019021	Cord Grip ( <i>Two Required</i> )
4	1019022	Conduit Box Cover
5	1019023	Conduit Box Cover Gasket
6	1030028	Butt Splicer ( <i>Four Required</i> )
7	1019010	12-Volt DC Electric Solenoid – Complete
8	1011217	1/4" x 2" Pipe Nipple
9	1011832	1/4" NPT 90° Pipe Nipple
10	10DE025	Dust Eliminator
11	20100677	1/2" x 1/2" NPT Hex Nipple
12	1015555	3-Prong Twist-Lock Plug – Male
13	1019020	1/2" Tee Conduit Box



## PART NUMBERS AND SCHEMATICS

Figure 17: 12-Volt DC 190 Electric Solenoid

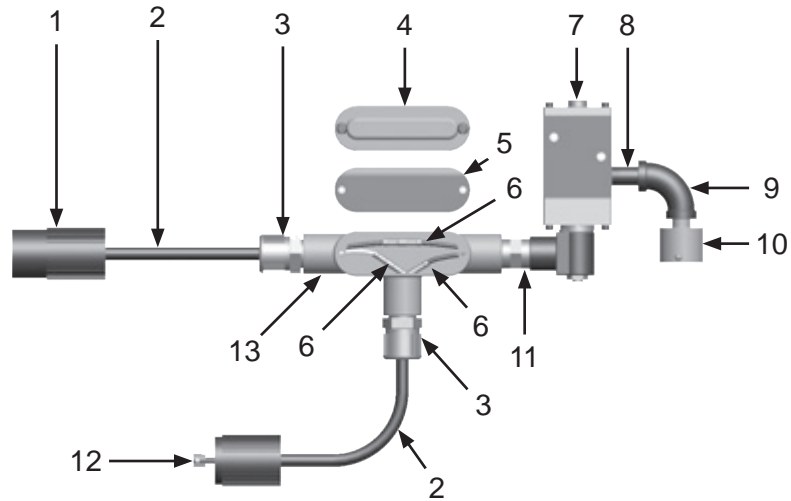


Item #	Part #	Description
<b>Fig. 17</b>		
—	<b>1019010</b>	<b>12-Volt DC 190 Electric Solenoid — Normally-closed — Complete</b>
1	1019029	Felt Filter
2	1019032	Spring
3	1019033	Gasket
4	1019039	12-Volt DC Coil
5	1019034	12-Volt DC Operator Assembly (Includes Items: #3, #4, G, H, I, and J)
—	1019030	Electric Solenoid Repair Kit (Includes Items: #1, #2, #3, C, D, and E)

\* Items A–J are not available individually

## PART NUMBERS AND SCHEMATICS

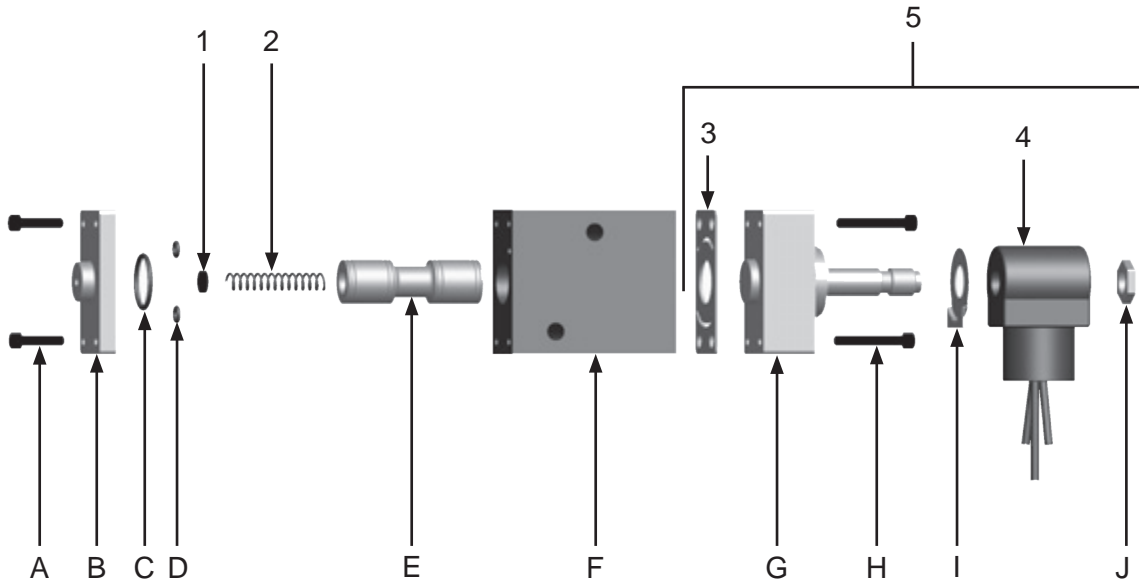
Figure 18: 12-Volt AC 190 Electric Control Assembly



Item #	Part #	Description
<b>Fig. 18</b>		
—	<b>1019052</b>	<b>12-Volt AC 190 Electric Control Assembly – Complete</b>
1	1015556	3-Prong Twist-Lock Plug – Female
2	1015540	16/2 Power Cord – Per Foot
3	1019021	Cord Grip ( <i>Two Required</i> )
4	1019022	Conduit Box Cover
5	1019023	Conduit Box Cover Gasket
6	1030028	Butt Splicer ( <i>Four Required</i> )
7	1019011	12-Volt AC Electric Solenoid – Complete
8	1011217	1/4" x 2" Pipe Nipple
9	1011832	1/4" NPT 90° Pipe Nipple
10	10DE025	Dust Eliminator
11	20100677	1/2" x 1/2" NPT Hex Nipple
12	1015555	3-Prong Twist-Lock Plug – Male
13	1019020	1/2" Tee Conduit Box

## PART NUMBERS AND SCHEMATICS

Figure 19: 12-Volt AC 190 Electric Solenoid

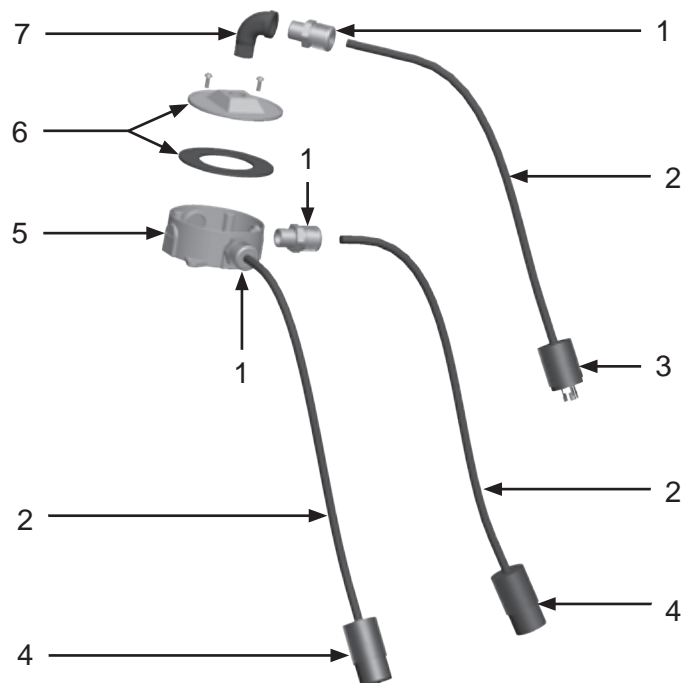
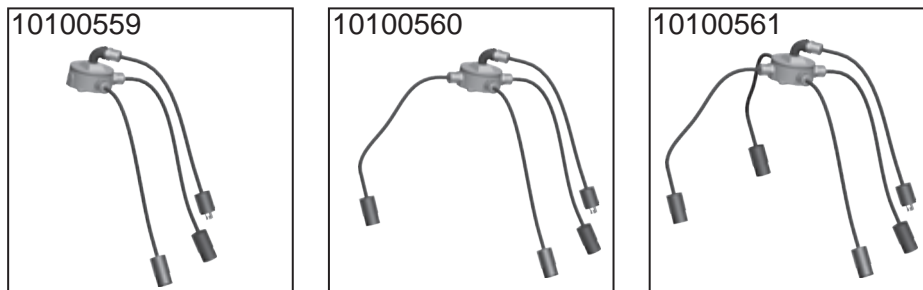


Item #	Part #	Description
Fig. 19		
—	<b>1019011</b>	<b>12-Volt AC 190 Electric Solenoid – Complete</b>
1	1019029	Felt Filter
2	1019032	Spring
3	1019033	Gasket
4	1019040	12-Volt AC Coil
5	1019035	12-Volt AC Electric Operator Assembly (Includes Items: #3, #4, G, H, I, and J)
—	1019030	12-Volt AC Electric Solenoid Repair Kit (Includes Items: #1, #2, #3, C, D, and E)
* Items A–J are not available individually		

# PART NUMBERS AND SCHEMATICS

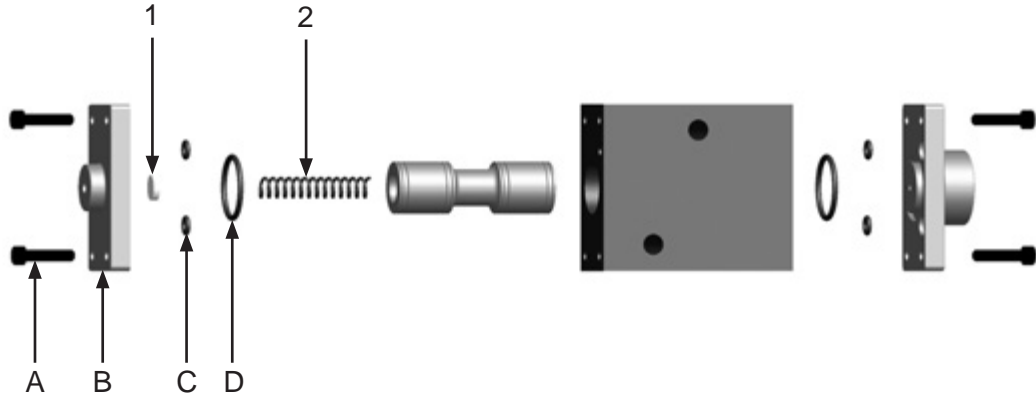
## Power Distribution Boxes

Item #	Part #	Description
<b>Fig. 20</b>		
—	10100559	2-Outlet Power Distribution Box
—	10100560	3-Outlet Power Distribution Box
—	10100561	4-Outlet Power Distribution Box
1	1019021	Cord Grip (One Required per Outlet)
2	1015540	16/2 Electric Cord (Sold per Foot)
3	1015555	3-Prong Male Twist-Lock Plug
4	1015556	3-Prong Female Twist-Lock Plug (One Required per Outlet)
5	10100495	5-Outlet Conduit Box
6	10100496	Conduit Box Cover (Includes: Gasket and Screws)
7	1011819	1/2" Street Elbow
—	1030028	Butt Splicer (Not Shown)
—	10100562	Inline Fuse Block (Not Shown)
—	10100563	5-Amp Inline Fuse (Not Shown)



## PART NUMBERS AND SCHEMATICS

Figure 21: 190 Pneumatic Solenoid



Item #	Part #	Description
--------	--------	-------------

Fig. 21

—	<b>1019000</b>	<b>190 Pneumatic Solenoid Normally—Closed — Complete</b>
---	----------------	--

1	1019029	Felt Filter
---	---------	-------------

2	1019032	Spring
---	---------	--------

3	1019027	Pneumatic Solenoid Operator Assembly (Includes Items: G, H, I, and J)
---	---------	--

4	1019028	Pneumatic Solenoid Repair Kit (Includes Items: #1, #2, C, D, E, G, and H)
---	---------	--

\* Items A–J are not available individually

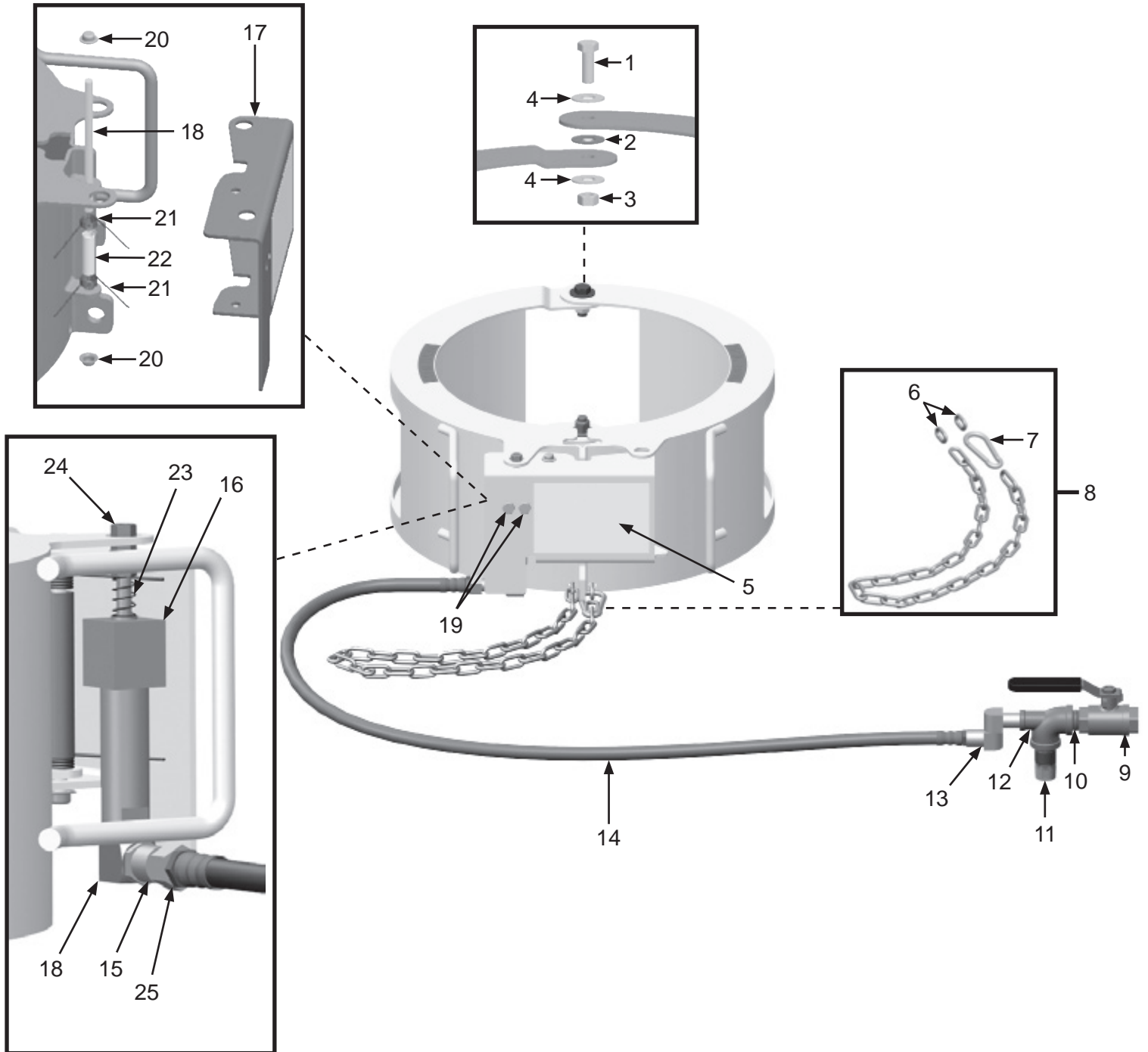
## PART NUMBERS AND SCHEMATICS

### Blastmaster® Camlock Closure Lockout Device

Item#	Part#	Description
<b>Fig. 22</b>		
—	<b>10102326</b>	<b>Blastmaster® Camlock Closure Lockout Device – Complete</b>
1	1011747	3/8-16 x 1" Bolt <i>(Two Required)</i>
2	1012064	3/8" Nylon Washer <i>(Two Required)</i>
3	20100138	3/8-16 Lock Nut <i>(Two Required)</i>
4	10102331	3/8" Washer <i>(Four Required)</i>
5	1091106	Hazard Identification Decal
6	10102338	Split Link <i>(Two Required)</i>
7	10102410	Carabiner
8	10102419	Chain Assembly <i>Includes Items: #6 (Quantity of Two), #7, and Chain</i>
9	10L363	1/2" NPT Brass Full Port Ball Valve
10	10L803035	1/2" NPT Close Nipple
11	10L803038	1/2" NPT x 2" Pipe Nipple
12	10102337	1/2" NPT 90° Elbow with 1/4" NPT Side-out
13	10102576	1/4" Swivel Connector
14	10102336	1/4" I.D. Air Hose Assembly
15	10102575	1/4" (M) x 1/4" (F) Swivel Hose End
16	10102333	Bimba Cylinder For Hatch Lock
17	10102320	Latch Handle <i>(Includes Item #5)</i>
18	10106786	1/8" (M) X 1/4" (F) Street Elbow
19	10102391	1/4-20 x 1/2" Bolt <i>(Two Required)</i>
20	10102325	1/4" Cap Nut <i>(Two Required)</i>
21	10102324	Torsion Spring <i>(Two Required)</i>
22	10103294	2-3/4" x 3/8" I.D. PEX Spacer
23	10102411	Spring
24	10102387	1/4-28 Coupling Nut - Zinc
25	1017023	Male Hose Barb
—	106M095	Part Numbers & Schematics Guide – Blastmaster® Pneumatic Closure Lockout Device
—	1090095	Operators Manual – Blastmaster® Pneumatic Closure Lockout Device

# PART NUMBERS AND SCHEMATICS

Figure 22: Blastmaster® Camlock Closure Lockout Device



## PART NUMBERS AND SCHEMATICS

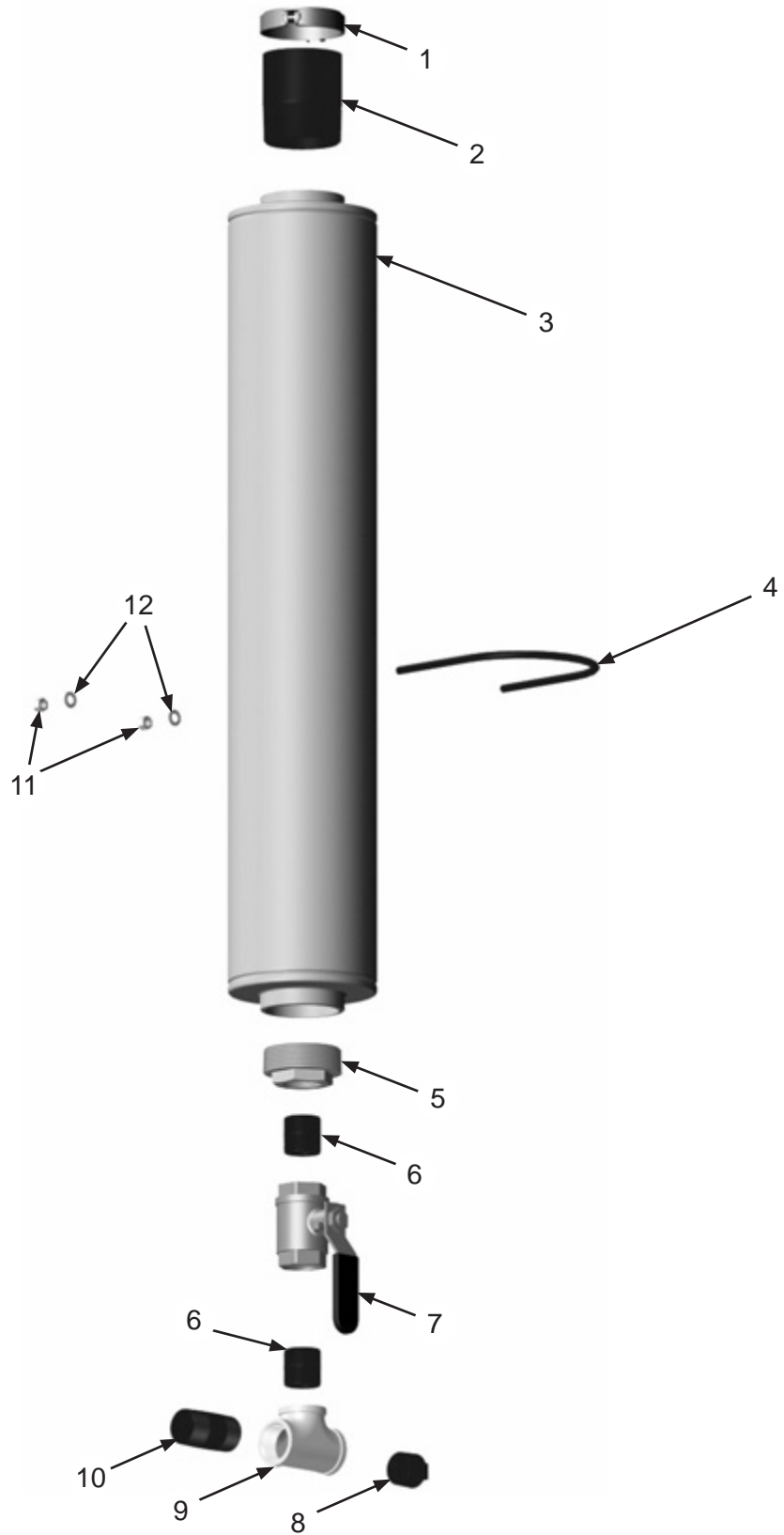
### Blastmaster® Large Exhaust Muffler

Item #	Part #	Description
<b>Fig. 23</b>		
1	10103583	3-1/2" Rain Cap – Painted Gray
2	10105208	3" NPT x 4" Toe Nipple – Galvanized
3	10103575	Absorptive Silencer U5-3 Universal
4	1070967	U-Bolt - 3/8-16 x 6-3/4"
5	10105045	3" x 1-1/4" Hex Bushing
6	10101750	1-1/4" NPT Galvanized Close Nipple ( <i>Two Required</i> )
7	1011602	1-1/4" Full Port Ball Valve
8	1011902	1-1/4" NPT Galvanized Pipe Plug
9	1011803	1-1/4" NPT Galvanized Pipe Tee
10	10105252	1-1/4" x 3" Nipple – Galvanized
11	20100138	3/8-16 Hex Lock Nut Zinc
12	1014241	3/8" I.D. x 3/4" O.D. Washer



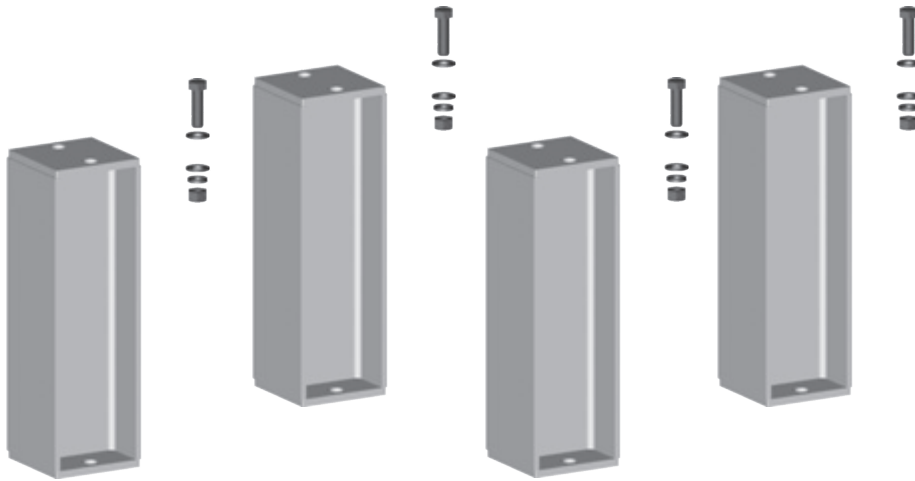
# PART NUMBERS AND SCHEMATICS

Figure 23: Blastmaster® Large Exhaust Muffler



## PART NUMBERS AND SCHEMATICS

Figure 24: Stationary Legs

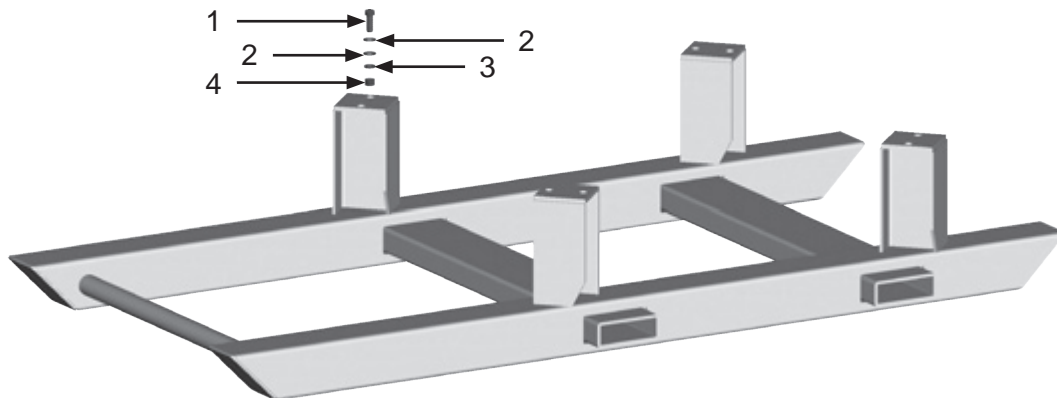


Item #	Part #	Description
--------	--------	-------------

Fig. 24

—	1081660	<b>Stationary Legs and Mounting Kit – Complete Set of Four</b> <i>Includes item #s: 1 (Quantity of Four), 2 (Quantity of Eight), 3 (Quantity of 16), 4 (Quantity of Eight), 5 (Quantity of Eight)</i>
1	10000514	Stationary Leg ( <i>Four Required</i> )
2	10100701	3/4-10 x 2-1/2" Bolt ( <i>Two Required per Leg</i> )
3	10100704	3/4" Flat Washer ( <i>Four Required per Leg</i> )
4	10100596	3/4" Lock Washer ( <i>Two Required per Leg</i> )
5	10100595	3/4" Nut ( <i>Two Required per Leg</i> )

Figure 25: Fork-Pocket Skid



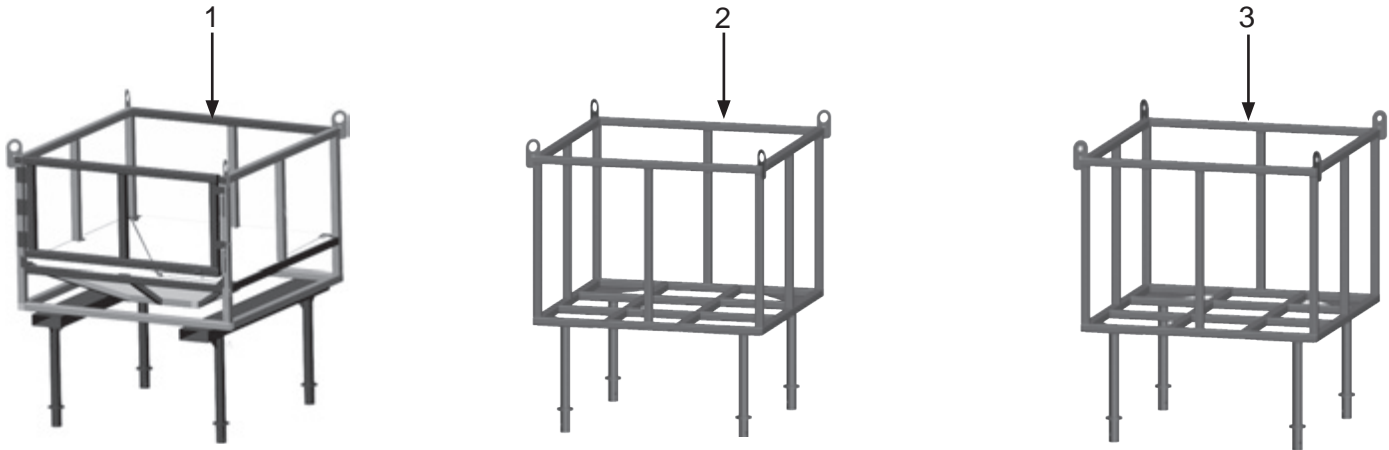
Item #	Part #	Description
--------	--------	-------------

Fig. 25

—	10108053	Fork-Pocket Skid
1	10100701	3/4-10 x 2-1/2" Bolt ( <i>Eight Required</i> )
2	10100704	3/4" Flat Washer ( <i>16 Required</i> )
3	10100596	3/4" Lock Washer ( <i>Eight Required</i> )
4	10100595	3/4" Nut ( <i>Eight Required</i> )

## OPTIONAL ACCESSORIES

**Figure 26: Blastmaster® Bulk Bag Racks (Optional)**

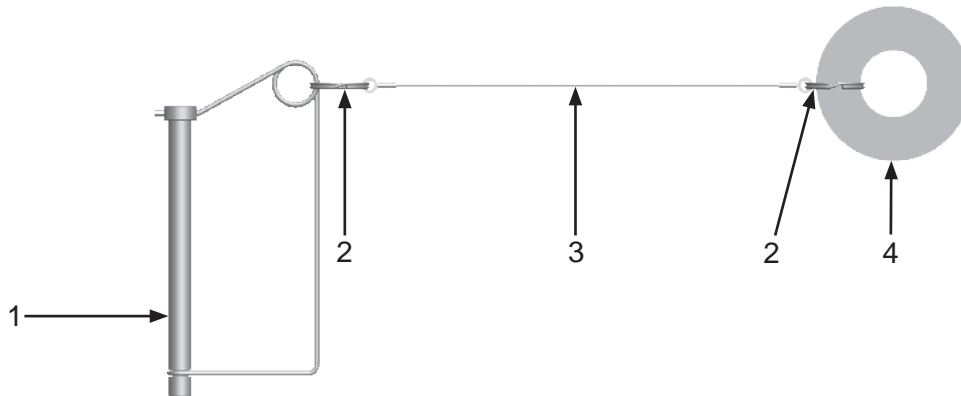


Item #	Part #	Description
--------	--------	-------------

**Fig. 26**

1	10104768	Blastmaster® Heavy-Duty Bulk Bag Rack with Swing Gate, Tapered Support Panels <i>Includes Locking Pin Assembly</i>
2	10102133	Bulk Bag Rack with Grid Support, 2.25" I.D. Lifting Eye
3	10103271	Bulk Bag Rack with Grid Support, .704" I.D. Lifting Eye
—	10107105	20' Rope ( <i>Not Shown</i> )

**Figure 27: Blastmaster® Bulk Bag Rack Locking Pin**



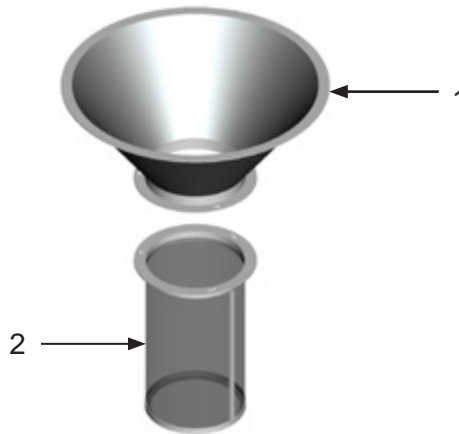
Item #	Part #	Description
--------	--------	-------------

**Fig. 27**

—	<b>10103386</b>	<b>Locking Pin Assembly – Complete</b>
1	10103387	3/8" x 4" Locking Pin
2	10103388	Split Ring ( <i>Two Required</i> )
3	10103390	7" Lanyard with Eyelets
4	10103389	2-1/4" O.D. x 1-1/4" I.D. Flat Washer

## OPTIONAL ACCESSORIES

Figure 28: Abrasive Screen and Funnel (Optional)



Item #	Part #	Description
<b>Fig. 28</b>		
—	<b>10101705</b>	<b>Abrasive Screen and Funnel for 10" Diameter Camlock Closure</b>
1	10101817	Funnel
2	10101704	Abrasive Screen for 10" Diameter Camlock Closure

## LITERATURE REFERENCES

### Remote Control Switches

106M068	Part Numbers and Schematics Guide – Blastmaster® 152P Remote Control Switch
1090068	Operator's Manual – Blastmaster® 152P Remote Control Switch
106M063	Part Numbers and Schematics Guide – Blastmaster® 151E Remote Control Switch
1090063	Operator's Manual – Blastmaster® 151E Remote Control Switch

### Abrasive Blasting Pot

106M152	Part Numbers and Schematics Guide – Blastmaster® 60 cu. ft. Abrasive Blasting Pots
1090152	Operator's Manual – Blastmaster® 60 cu. ft. Abrasive Blasting Pots
109S152	Service Manual – Blastmaster® 60 cu. ft. Abrasive Blasting Pots







## CONTACT CENTER

- 3425 East Locust Street  
Davenport, IA 52803

ph: 800.BLAST.IT (800.252.7848)  
ph: 563.324.2519  
fax: 563.324.6258

## REGIONAL BRANCH OFFICES

- Iowa  
Davenport
- Louisiana  
Gonzales  
Lafayette
- Ohio  
Youngstown
- Texas  
Beaumont  
Corpus Christi  
Deer Park

## 40+ NATIONWIDE SHIPPING LOCATIONS



★ Marco Regional Branch Offices and Shipping Locations      ● Direct Shipping Locations



ABRASIVES  
BLASTING  
COATING  
DUST COLLECTION  
RENTAL & SERVICE  
SAFETY  
VACUUMS

## CONTACT MARCO

800.BLAST.IT  
(800.252.7848)  
563.324.2519  
FAX: 563.324.6258

WWW.MARCO.US  
SALES@MARCO.US