



BLASTMASTER® 6.5 CU. FT. HP-SERIES ABRASIVE BLASTING POTS



BUILT MARCO TOUGH
MARCO MANUFACTURED

PART NUMBERS AND SCHEMATICS GUIDE

Company Profile

Since 1944, Marco has developed a strong tradition of providing innovative and reliable products and services to the surface preparation and protective coatings industries. We are the world's premier provider of Abrasives, Blasting, Coating, Dust Collectors, Engineered Systems, Rental, Safety, Service, Repair, & Modernization, and Vacuums.

Through innovative designs and a total commitment to quality, Marco manufactures products that increase production rates, create a safer workplace, and reduce maintenance costs. Marco's industry experience, manufacturing capabilities, legendary customer service, product availability, logistics services, and technology leadership is your assurance that we deliver high quality products and services, providing the best value to you, our customer.

The Marco Difference

- **Industry Experience** – With Marco on your team, you have access to expertise which can only come from decades of industry leadership. We have organized our engineering department, production specialists, customer operations, and safety support into a "Center of Competence." As a Marco customer, you have access to hundreds of years of cumulative experience related to your operations.
- **Manufacturing Excellence** – Marco is a manufacturer of equipment for the Surface Preparation and Protective Coatings industries. Marco's engineers benchmark the industry to ensure that we design and manufacture superior products that set the "Gold Standard" for performance, safety, and quality.
- **Legendary Customer Service** – Marco's legendary customer service team is staffed by friendly, highly-trained individuals who are focused on providing the highest level of product support, order accuracy, and customer satisfaction.
- **Product Availability** – We stock over 10,000 SKU's and have more than 45 shipping locations to serve North American and International markets for all major brands of blasting and coating equipment. As the largest provider of surface preparation and protective coatings equipment in the world, our inventory levels and product availability are unmatched.
- **Logistics Services** – Marco's in-house logistics team is dedicated to moving your shipment anywhere in the world. We move more than 14,000 truckloads every year, allowing you to save on freight costs by leveraging our buying power. Lower your process costs with a single invoice, which includes product and freight.
- **Technology Leadership** – Our website provides: Operator's Manuals, Part Numbers and Schematics Guides, Specifications information, and Features & Specifications Guides, providing access to information 24/7. Our Extranet application allows you to receive quotes and place orders online. Our Intranet maintains a complete record of your purchase history to assist with ongoing support of your existing equipment and future purchasing decisions.

Vision Statement

Marco is the world's premier provider of Abrasives, Blasting, Coating, Dust Collectors, Engineered Systems, Rental, Safety, Service, Repair, & Modernization, and Vacuums.

Mission Statement

Marco provides strong leadership and innovation to the surface preparation and protective coatings industries. We dedicate our efforts to the continuous improvement of our products, services, processes, people, and most importantly, the quality of our customer's experience.

Quality Statement

Marco is committed to providing superior quality in the design, manufacturing, distribution, rental, service, and repair of our products. Continuous improvement of our processes and supply chain Integration comprise the core of our business strategy for delivering exceptional quality and value in all Marco products and services.

Management Philosophy

We are a company dedicated to the success of every customer and associate. We discuss, debate, challenge, measure, and test our ideas. We will be boundless and limitless in our passion to improve. Through sound leadership and dedicated associates, we will ensure a long term, profitable future for Marco, our associates, customers, and suppliers.

TABLE OF CONTENTS

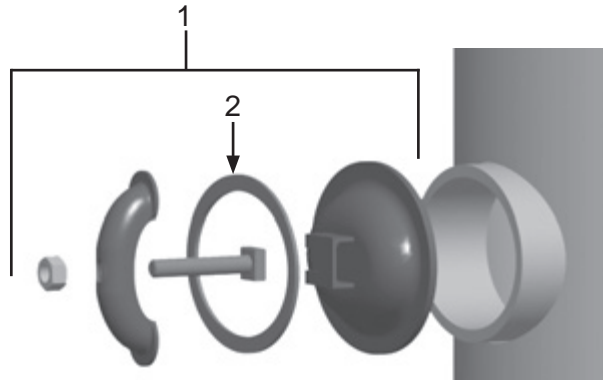
Company Profile	1	12-Volt DC 190 Electric Solenoid	30
Table of Contents	2	12-Volt AC 190 Electric Control Assembly	31
Part Numbers	3	12-Volt AC 190 Electric Solenoid	32
Part Numbers and Schematics	4	Blastmaster® 120-Volt AC to 12-Volt AC Power Converter	33
Inspection Door Assembly	4	190 Pneumatic Solenoid.	35
Pop-up Valve Assembly	4	Optional Accessories	36
Blastmaster® 6.5 Cu. Ft. HP-Series Abrasive Blasting Pot — Pneumatic	5	1-1/2" Extractor Abrasive Blasting Pot Moisture Separator.	36
Blastmaster® 6.5 Cu. Ft. HP-Series Abrasive Blasting Pot — Electric	7	Lid and Screen	37
Pusher Line Assembly	9	Loading Skid.	38
Exhaust Muffler Assembly	10		
Blastmaster® Maxum III Abrasive Metering Valve	11		
Blastmaster® Maxum III Abrasive Metering Valve – Urethane Sleeve	13		
Blastmaster® Maxum III Abrasive Metering Valve — Tungsten Carbide Sleeve — 2"	15		
Blastmaster® Maxum III Abrasive Metering Valve — Urethane Sleeve — 2"	17		
Blastmaster® 130P Remote Control System.	19		
1-1/2" NPT High-flow GateKeeper Air Valve.	21		
12-Volt DC Blastmaster® 130E Remote Control System.	23		
120-Volt AC Blastmaster® 130E Remote Control System.	25		
120-Volt AC Blastmaster® 130E Remote Control System—Multiple Outlet	27		
12-Volt DC 190 Electric Control Assembly	29		

PART NUMBERS

BLASTMASTER® 6.5 CU. FT. HP-SERIES ABRASIVE BLASTING POTS						
Part Numbers	Power Source	Blastmaster® Remote Control System	Blastmaster® Remote Control Switch	Blastmaster® Maxum III 1-1/2" Abrasive Metering Valve Sleeve Material	1-1/2" Extractor Abrasive Blasting Pot Moisture Separator	Loading Skid
1065024	Pneumatic	130P	152P	Tungsten Carbide		
1065024PKA	Pneumatic	130P	152P	Tungsten Carbide	X	
1065024LS	Pneumatic	130P	152P	Tungsten Carbide		X
1065024PKALS	Pneumatic	130P	152P	Tungsten Carbide	X	X
1065023	Pneumatic	130P	152P	Urethane		
1065023PKA	Pneumatic	130P	152P	Urethane	X	
1065023LS	Pneumatic	130P	152P	Urethane		X
1065023PKALS	Pneumatic	130P	152P	Urethane	X	X
1065030	12-Volt DC	130E	151E	Tungsten Carbide		
1065030PKA	12-Volt DC	130E	151E	Tungsten Carbide	X	
1065030LS	12-Volt DC	130E	151E	Tungsten Carbide		X
1065030PKALS	12-Volt DC	130E	151E	Tungsten Carbide	X	X
10106047	12-Volt DC	130E	None	Tungsten Carbide		
1065029	12-Volt DC	130E	151E	Urethane		
1065029PKA	12-Volt DC	130E	151E	Urethane	X	
1065029LS	12-Volt DC	130E	151E	Urethane		X
1065029PKALS	12-Volt DC	130E	151E	Urethane	X	X
1065036	120-Volt AC	130E	151E	Tungsten Carbide		
1065036PKA	120-Volt AC	130E	151E	Tungsten Carbide	X	
1065036LS	120-Volt AC	130E	151E	Tungsten Carbide		X
1065036PKALS	120-Volt AC	130E	151E	Tungsten Carbide	X	X
1065035	120-Volt AC	130E	151E	Urethane		
1065035PKA	120-Volt AC	130E	151E	Urethane	X	
1065035LS	120-Volt AC	130E	151E	Urethane		X
1065035PKALS	120-Volt AC	130E	151E	Urethane	X	X

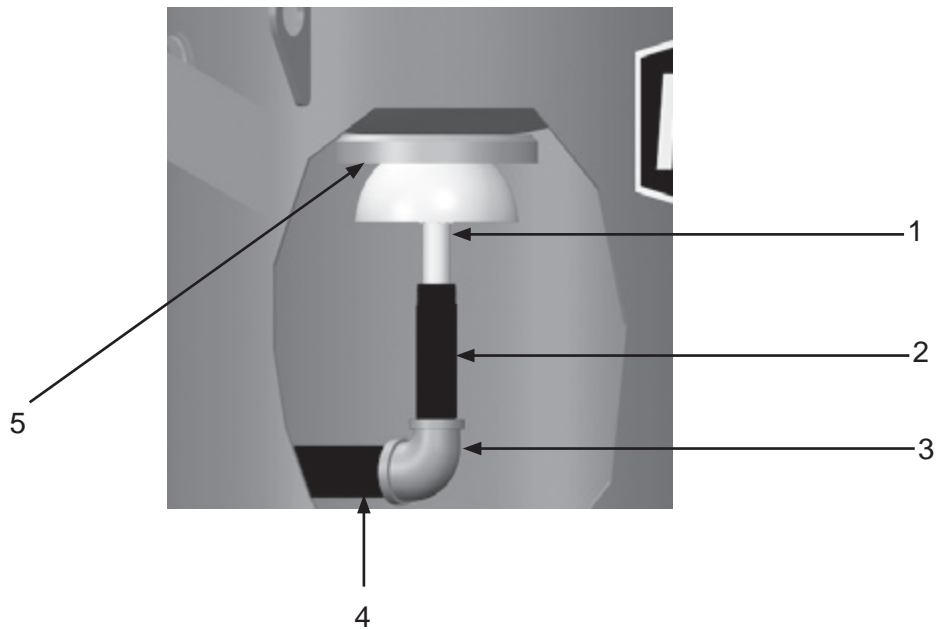
PART NUMBERS AND SCHEMATICS

Figure 1: Inspection Door Assembly



Item #	Part #	Description
Fig. 1		
1	1006200	6" x 8" Inspection Door Assembly
2	1006201	Gasket

Figure 2: Pop-up Valve Assembly



Item #	Part #	Description
Fig. 2		
1	1006030	Pop-Up Valve - Internal Sleeve
2	1011815	1" NPT x 5" Pipe Nipple
3	1006210	1-1/4" x 1" 90° Elbow
4	1011214	1-1/4" NPT x 10" Pipe Nipple
5	1006040	4" I.D. x 5-1/2" O.D. Pop-Up Valve Seat

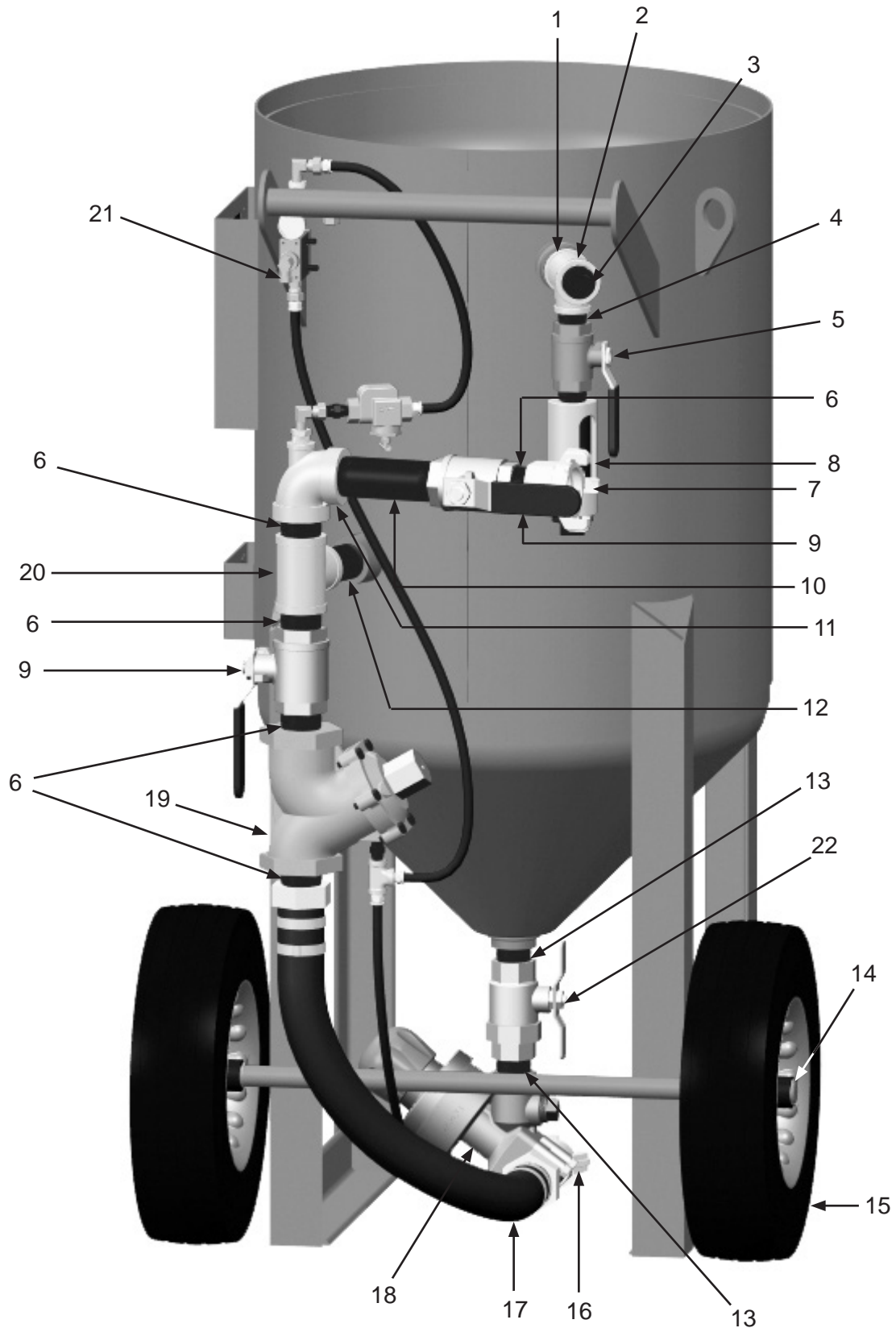
PART NUMBERS AND SCHEMATICS

Blastmaster® 6.5 Cu. Ft. HP-Series Abrasive Blasting Pot — Pneumatic

Item #	Part #	Description
Fig. 3		
1	1011201	1-1/4" NPT Close Nipple
2	1011817	1-1/4" x 1-1/4" x 1" NPT Pipe Tee
3	1011902	1" NPT Pipe Plug
4	1012151	1" NPT Close Nipple
5	1011601	1" NPT Full Port Brass Ball Valve
6	1014015	1-1/2" NPT NPT Close Nipple <i>(Five Required)</i>
7	10ME4	1-1/2" NPT (F) 4-Lug Air Hose Fitting
8	1011100	Blastmaster® Abrasive Blasting Pot Muffler <i>(See Fig. 6)</i>
9	1011603	1-1/2" NPT Full Port Brass Ball Valve <i>(Two Required)</i>
10	1011211	1-1/2" x 5-1/2" NPT Pipe Nipple
	10105026	1-1/2" x 9" NPT Pipe Nipple (PKA Only)
11	1011828	1-1/2" NPT Elbow with 1/2" Side-out
12	1011204	1-1/4" x 3" Galvanized Nipple
13	1011201	1-1/4" Close Nipple <i>(Two Required)</i>
14	1006205	Wheel Clip <i>(Four Required)</i>
15	1006064	16" Wheel <i>(Two Required)</i>
16	10SB2S	1-1/2" Brass Tank Coupling
17	—	1-1/2" Pusher Line Assembly <i>(See Fig. 5)</i>
18	10101950	Blastmaster® 1-1/2" Maxum III Abrasive Metering Valve – Tungsten Carbide Sleeve <i>(See Literature 1090069)</i>
	10101946	Blastmaster® 1-1/2" Maxum III Abrasive Metering Valve – Urethane Sleeve <i>(See Literature 1090069)</i>
19	1013600	Blastmaster® 1-1/2" High-Flow GateKeeper Air Valve
20	1011836	1-1/2" x 1-1/2" x 1-1/4" NPT Pipe Tee
21	10103834	Blastmaster® 130P Remote Control System <i>(See Fig. 11)</i>
22	1011606A	1-1/4" Union End Ball Valve
—	106M068	Part Numbers & Schematics Guide – Blastmaster® 152P Remote Control Switch
—	106M082	Part Numbers & Schematics Guide – Blastmaster® 6.5 Cu. Ft. HP-Series Abrasive Blasting Pot
—	1090068	Operator's Manual – Blastmaster® 152P Remote Control Switch
—	1090082	Operator's Manual – Blastmaster® 6.5 Cu. Ft. HP-Series Abrasive Blasting Pot

PART NUMBERS AND SCHEMATICS

Figure 3: Blastmaster® 6.5 Cu. Ft. HP-Series Abrasive Blasting Pot — Pneumatic



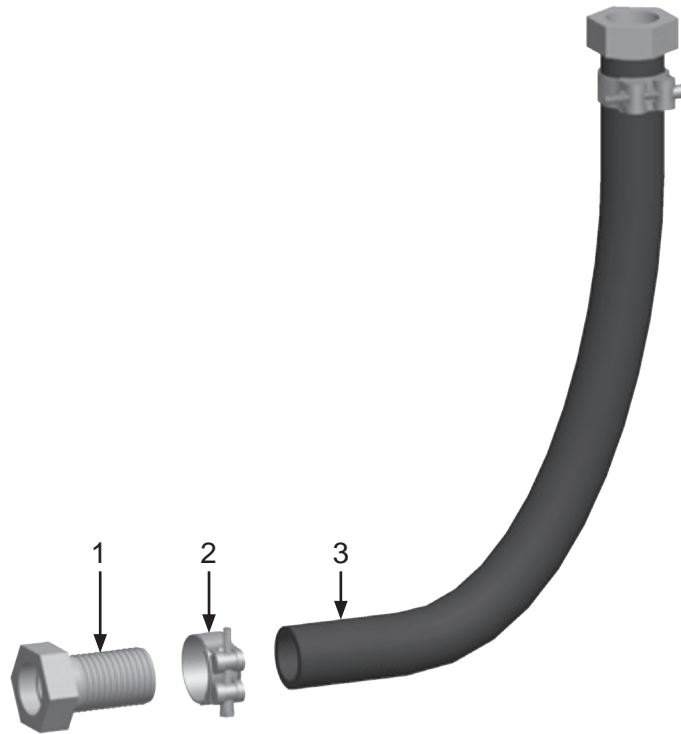
PART NUMBERS AND SCHEMATICS

Blastmaster® 6.5 Cu. Ft. HP-Series Abrasive Blasting Pot — Electric

Item #	Part #	Description
Fig. 4		
1	1011201	1-1/4" NPT Close Nipple
2	1011817	1-1/4" x 1-1/4" x 1" NPT Pipe Tee
3	1011902	1" NPT Pipe Plug
4	1012151	1" NPT Close Nipple
5	1011601	1" NPT Full Port Brass Ball Valve
6	1014015	1-1/2" NPT NPT Close Nipple <i>(Five Required)</i>
7	10ME4	1-1/2" NPT (F) 4-Lug Air Hose Fitting
8	1011100	Blastmaster® Abrasive Blasting Pot Muffler <i>(See Fig. 6)</i>
9	1011603	1-1/2" NPT Full Port Brass Ball Valve <i>(Two Required)</i>
10	1011211	1-1/2" x 5-1/2" NPT Pipe Nipple
	10105026	1-1/2" x 9" NPT Pipe Nipple (PKA Only)
11	1011828	1-1/2" NPT Elbow with 1/2" Side-out
12	1011204	1-1/4" x 3" Galvanized Nipple
13	1011201	1-1/4" Close Nipple <i>(Two Required)</i>
14	1006205	Wheel Clip <i>(Four Required)</i>
15	1006064	16" Wheel <i>(Two Required)</i>
16	10SB2S	1-1/2" Brass Tank Coupling
17	—	1-1/2" Pusher Line Assembly <i>(See Fig. 5)</i>
18	10101950	Blastmaster® 1-1/2" Maxum III Abrasive Metering Valve – Tungsten Carbide Sleeve <i>(See Literature 1090069)</i>
	10101946	Blastmaster® 1-1/2" Maxum III Abrasive Metering Valve – Urethane Sleeve <i>(See Literature 1090069)</i>
19	1013600	Blastmaster® 1-1/2" High-Flow GateKeeper Air Valve
20	1011836	1-1/2" x 1-1/2" x 1-1/4" NPT Pipe Tee
21	10103835	Blastmaster® 130E Remote Control System <i>(See Fig. 13,14)</i>
22	1011606A	1-1/4" Union End Ball Valve
—	106M063	Part Numbers & Schematics Guide – Blastmaster® 151E Remote Control Switch
—	106M082	Part Numbers & Schematics Guide – Blastmaster® 6.5 Cu. Ft. HP-Series Abrasive Blasting Pot
—	1090063	Operator's Manual – Blastmaster® 151E Remote Control Switch
—	1090082	Operator's Manual – Blastmaster® 6.5 Cu. Ft. HP-Series Abrasive Blasting Pot

PART NUMBERS AND SCHEMATICS

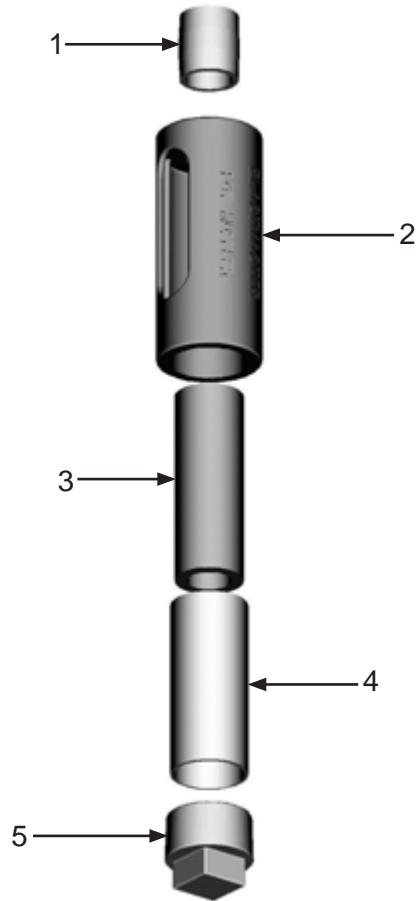
Figure 5: Pusher Line Assembly



Item #	Part #	Description
Fig. 5		
—	1006312	1-1/2" I.D. Pusher Line Assembly <i>Includes Item #: 1, 2, and 3 (Quantity of Three Feet)</i>
1	10SFE4	1-1/2" Female Swivel Air Hose End <i>(Two Required)</i>
2	10103738	1-1/2" T-Bolt Hose Clamp <i>(Two Required)</i>
3	10AH112B	1-1/2" I.D. Air Hose
—	10SFE4G	Gasket for 10SFE4 Swivel Air Hose End <i>(Not Shown)</i>
—	1090059	Technical Data Sheet – Pusher Line Assemblies

PART NUMBERS AND SCHEMATICS

Figure 6: Exhaust Muffler Assembly



Item #	Part #	Description
Fig. 6		
—	1011100	Blastmaster® Abrasive Blasting Pot Muffler – Complete
1	1012151	1" Close Nipple
2	1011102	Body
3	1011103	Filter Element
4	1011104	Screen
5	1011101	1-1/2" Pipe Plug
—	1011105	Blastmaster® Abrasive Blasting Pot Muffler Service Kit <i>Includes Item #'s: 3 (Quantity of Three), 4, and 5</i>
—	106M347	Part Numbers And Schematics Guide – Blastmaster® Abrasive Blasting Pot Mufflers

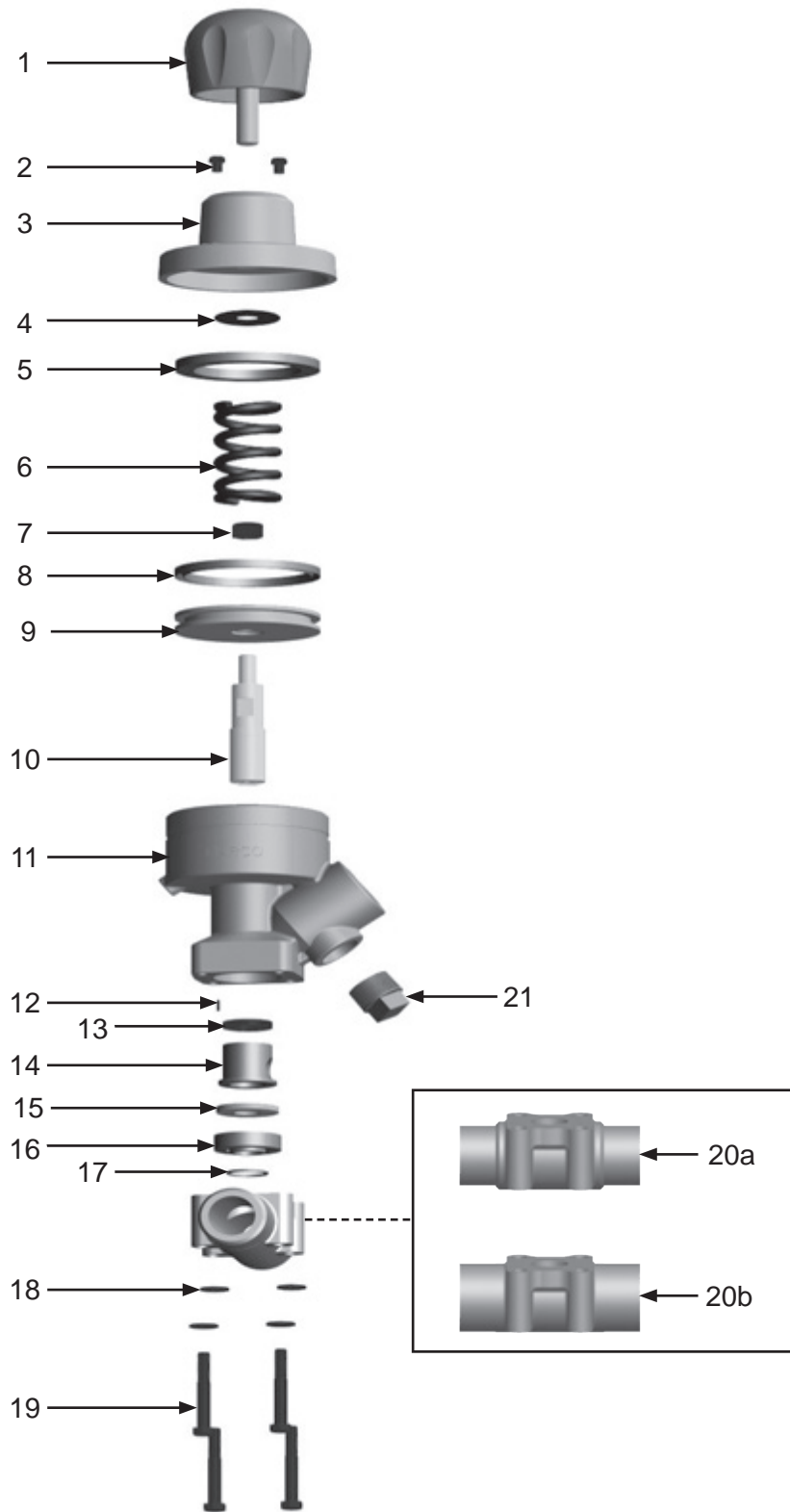
PART NUMBERS AND SCHEMATICS

Blastmaster® Maxum III Abrasive Metering Valve

Item #	Part #	Description
Fig. 7		
—	10101949	1-1/4" Blastmaster® Maxum III Abrasive Metering Valve – Tungsten Carbide Sleeve – Complete
—	10105907	1-1/4" Blastmaster® Maxum III Abrasive Metering Valve – Multi-port Sleeve – Complete
—	10101950	1-1/2" Blastmaster® Maxum III Abrasive Metering Valve – Tungsten Carbide Sleeve – Complete
—	10105908	1-1/2" Blastmaster® Maxum III Abrasive Metering Valve – Multi-port Sleeve – Complete
1	10101969	Knob
2	1012905	1/8" Breather Muffler <i>(Two Required)</i>
3	1014211	Cap
4	10106831	Vibration Disc
5	1014212	Bump Ring
6	1014213	Spring
7	1014022	1/2–13 Nut
8	1014215	Piston Seal
9	1014216	Piston
10	1014217	Tungsten Carbide Plunger
11	10101772	Body
12	1014240	3/32" x 3/8" Groove Pin
13	10103977	Heavy-Duty Plunger Seal
14	1014238	Tungsten Carbide Sleeve
—	10102123	Carbon Steel Sleeve- Multi-Port - <i>Optional (Orifice sizes: 0.178", 0.218", 0.278" and 0.343")</i>
15	1014237	Seat for Tungsten Carbide Sleeve
16	1014236	Insert for Tungsten Carbide Sleeve
17	1014235	O-ring for Tungsten Carbide Sleeve
18	1014241	3/8" Washer <i>(Four Required)</i>
19	10101933	3/8–16 x 2-1/2" Bolt <i>(Four Required)</i>
20a	10000229	1-1/4" Base, Through Hardened <i>(For use with 10101949)</i>
20b	10000230	1-1/2" Base, Through Hardened <i>(For use with 10101950)</i>
21	1011901	1" Square Pipe Plug
—	1014243	Repair Kit with Tungsten Carbide Sleeve <i>(Includes Item #'s: 8, 10, 13, 14, 15, 16, and 17)</i>
—	10105909	Repair Kit with Carbon Steel Multi-port Sleeve <i>(Includes Item #'s: 8, 10, 13, 14, 15, 16, and 17)</i>
—	1014221	Soft Seal Kit <i>(Includes Item #'s: 8, 13, 15 and 17)</i>
—	1091045	Hazard Identification Tag

PART NUMBERS AND SCHEMATICS

Figure 7: Blastmaster® Maxum III Abrasive Metering Valve



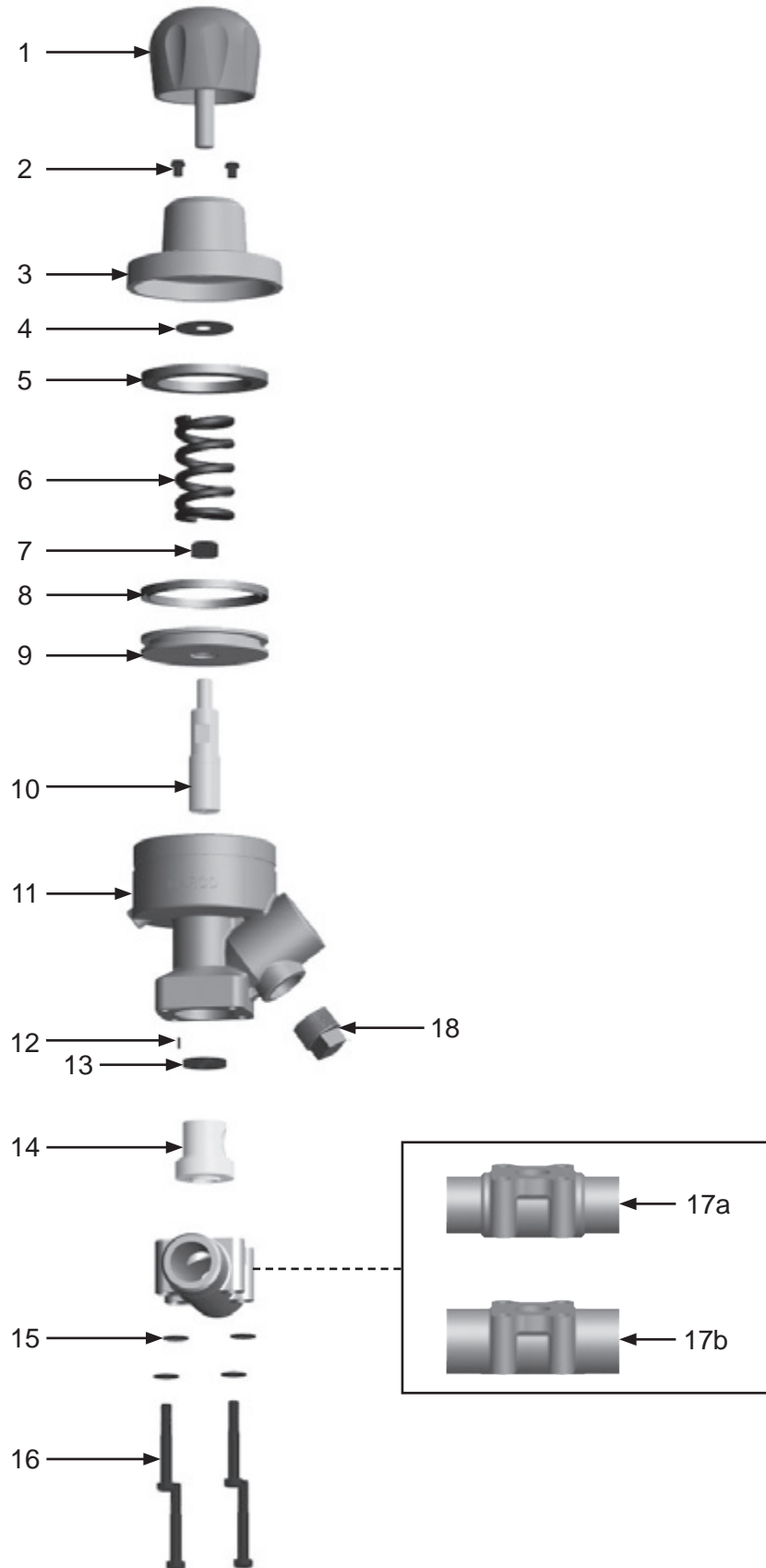
PART NUMBERS AND SCHEMATICS

Blastmaster® Maxum III Abrasive Metering Valve – Urethane Sleeve

Item #	Part #	Description
Fig. 8		
—	10101945	1-1/4" Blastmaster® Maxum III Abrasive Metering Valve – Urethane Sleeve – Complete
—	10101946	1-1/2" Blastmaster® Maxum III Abrasive Metering Valve – Urethane Sleeve – Complete
1	10101969	Knob
2	1012905	1/8" Breather Muffler <i>(Two Required)</i>
3	1014211	Cap
4	10106831	Vibration Disc
5	1014212	Bump Ring
6	1014213	Spring
7	1014022	1/2–13 Nut
8	1014215	Piston Seal
9	1014216	Piston
10	1014217	Tungsten Carbide Plunger
11	10101772	Body
12	1014240	3/32" x 3/8" Groove Pin
13	10103977	Heavy-Duty Plunger Seal
14	1014229	Urethane Sleeve
15	1014241	3/8" Washer <i>(Four Required)</i>
16	10101933	3/8–16 x 2-1/2" Bolt <i>(Four Required)</i>
17a	10000229	1-1/4" Base, Through Hardened <i>(For use with 10101945)</i>
17b	10000230	1-1/2" Base, Through Hardened <i>(For use with 10101946)</i>
18	1011901	1" Square Pipe Plug
—	1014244	Repair Kit with Urethane Sleeve <i>(Includes Item #'s: 8, 10, 13 and 14)</i>
—	1014222	Soft Seal Kit <i>(Includes Item #'s: 8, 13, and 14)</i>
—	1091045	Hazard Identification Tag

PART NUMBERS AND SCHEMATICS

Figure 8: Blastmaster® Maxum III Abrasive Metering Valve – Urethane Sleeve



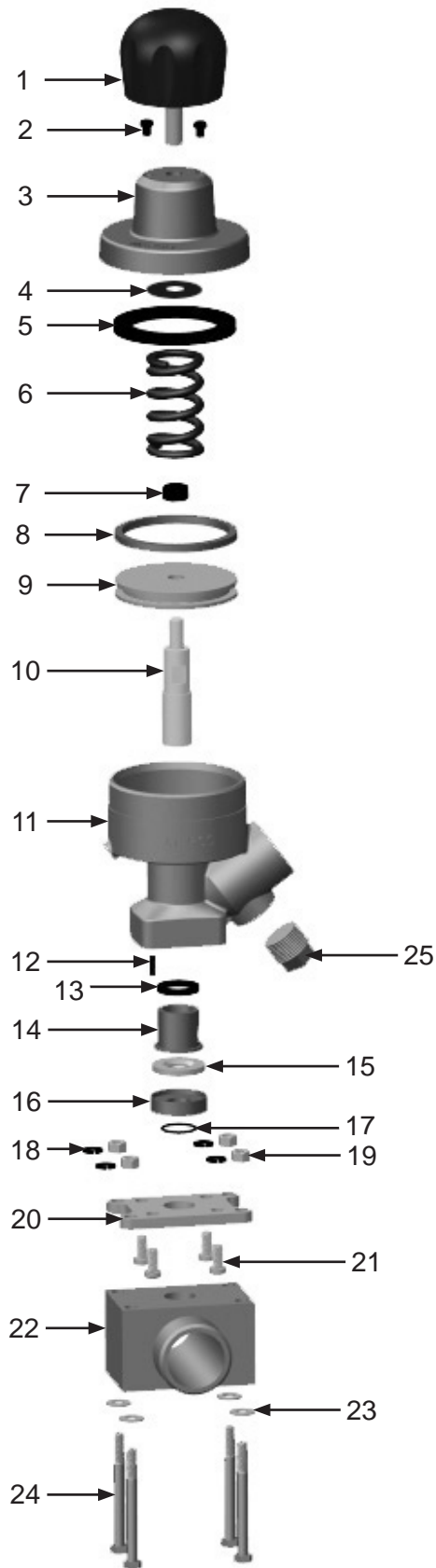
PART NUMBERS AND SCHEMATICS

Blastmaster® Maxum III Abrasive Metering Valve — Tungsten Carbide Sleeve — 2”

Item #	Part #	Description
Fig. 9		
—	10105872	2” Blastmaster® Maxum III Abrasive Metering Valve – Tungsten Carbide Sleeve – Complete
1	10101969	Knob
2	1012905	1/8" Breather Muffler <i>(Two Required)</i>
3	1014211	Cap
4	10106831	Vibration Disc
5	1014212	Bump Ring
6	1014213	Spring
7	1014022	1/2–13 Nut
8	1014215	Piston Seal
9	1014216	Piston
10	1014217	Tungsten Carbide Plunger
11	10101772	Body
12	1014240	3/32" x 3/8" Groove Pin
13	10103977	Heavy-Duty Plunger Seal
14	1014238	Tungsten Carbide Sleeve
15	1014237	Seat for Tungsten Carbide Sleeve
16	1014236	Insert for Tungsten Carbide Sleeve
17	1014235	O-ring for Tungsten Carbide Sleeve
18	10101936	3/8" Washer <i>(Four Required)</i>
19	10101938	3/8–16 Hex Nut <i>(Four Required)</i>
20	10105568	Adapter Plate
21	10105570	3/8-16 X 3/4" Socket Head Cap Screw <i>(Four Required)</i>
22	10105567	2" Base, Through Hardened <i>(For use with 10105573)</i>
23	1014241	3/8" Washer <i>(Four Required)</i>
24	10105569	3/8–16 x 3-3/4" Bolt <i>(Four Required)</i>
25	1011901	1" Square Pipe Plug
—	1014243	Repair Kit with Tungsten Carbide Sleeve <i>(Includes Item #'s: 8, 10, 13, 14, 15, 16, and 17)</i>
—	1014221	Soft Seal Kit <i>(Includes Item #'s: 8, 13, 15 and 17)</i>
—	1091045	Hazard Identification Tag

PART NUMBERS AND SCHEMATICS

Figure 9: Blastmaster® Maxum III Abrasive Metering Valve — Tungsten Carbide Sleeve — 2”



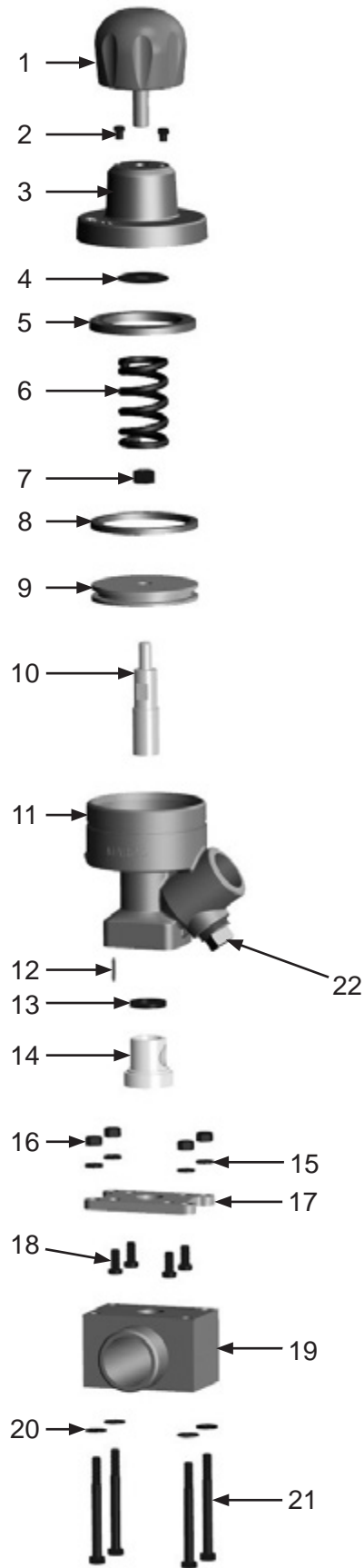
PART NUMBERS AND SCHEMATICS

Blastmaster® Maxum III Abrasive Metering Valve — Urethane Sleeve — 2”

Item #	Part #	Description
Fig. 10		
—	10105573	2” Blastmaster® Maxum III Abrasive Metering Valve – Urethane Sleeve – Complete
1	10101969	Knob
2	1012905	1/8" Breather Muffler <i>(Two Required)</i>
3	1014211	Cap
4	10106831	Vibration Disc
5	1014212	Bump Ring
6	1014213	Spring
7	1014022	1/2–13 Nut
8	1014215	Piston Seal
9	1014216	Piston
10	1014217	Tungsten Carbide Plunger
11	10101772	Body
12	1014240	3/32" x 3/8" Groove Pin
13	10103977	Heavy-Duty Plunger Seal
14	1014229	Urethane Sleeve
15	10101936	3/8" Washer <i>(Four Required)</i>
16	10101938	3/8–16 Hex Nut <i>(Four Required)</i>
17	10105568	Adapter Plate
18	10105570	3/8-16 X 3/4" Socket Head Cap Screw <i>(Four Required)</i>
19	10105567	2” Base, Through Hardened <i>(For use with 10105573)</i>
20	1014241	3/8” Washer <i>(Four Required)</i>
21	10105569	3/8–16 x 3-3/4" Bolt <i>(Four Required)</i>
22	1011901	1" Square Pipe Plug
—	1014244	Repair Kit with Urethane Sleeve <i>(Includes Item #'s: 8, 10, 13 and 14)</i>
—	1014222	Soft Seal Kit <i>(Includes Item #'s: 8, 13, and 14)</i>
—	1091045	Hazard Identification Tag

PART NUMBERS AND SCHEMATICS

Figure 10: Blastmaster® Maxum III Abrasive Metering Valve — Urethane Sleeve — 2”



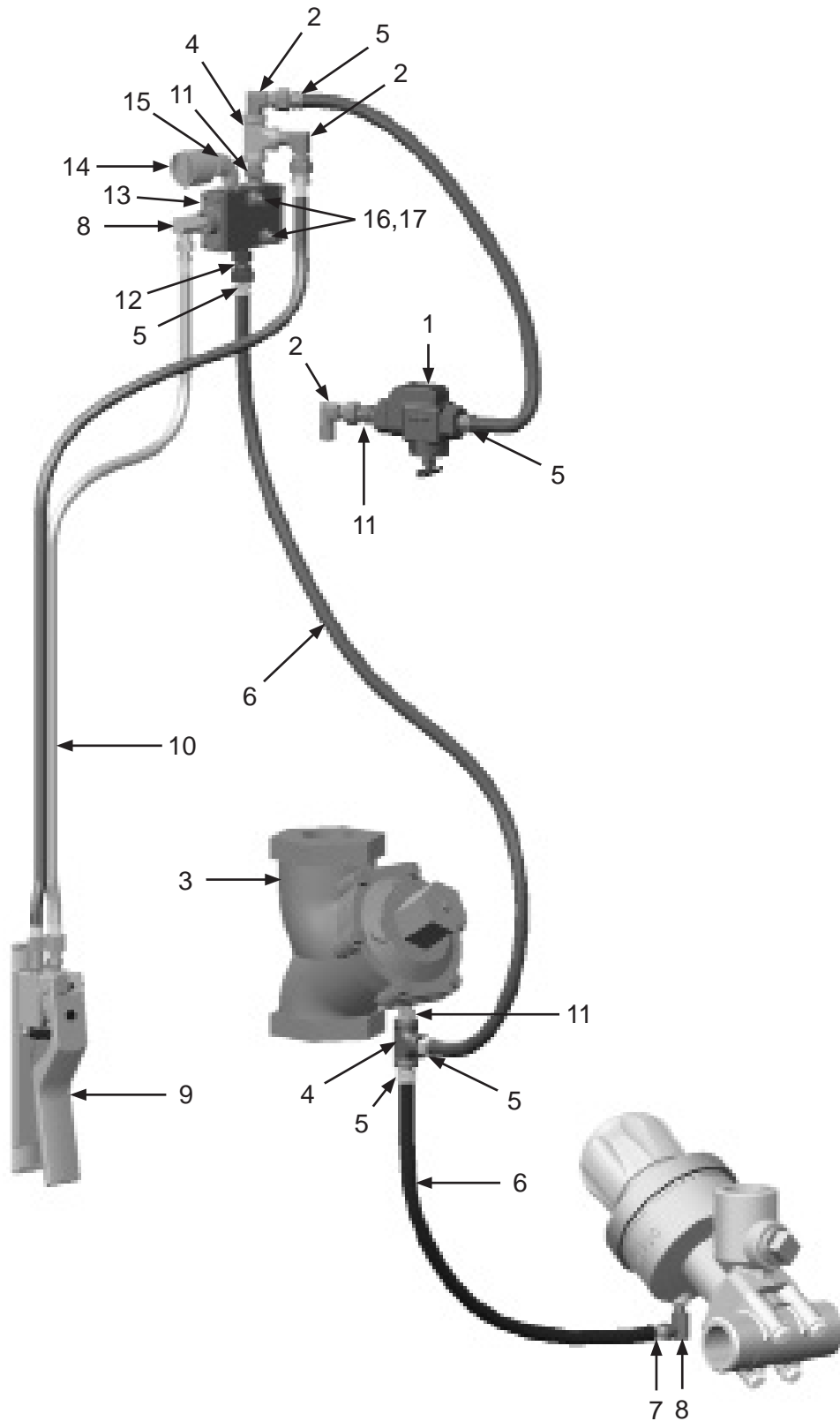
PART NUMBERS AND SCHEMATICS

Blastmaster® 130P Remote Control System

Item #	Part #	Description
Fig. 11		
—	10103834	Blastmaster® 130P Remote Control System — Complete
1	10WS	Watts Strainer
2	1012326	1/4" Swivel 90° Fitting (<i>Three Required</i>)
3	1013600	1-1/2" NPT High-flow GateKeeper Air Valve (<i>See Figure 3</i>)
4	1011844	1/4" NPT Pipe Tee (<i>Two Required</i>)
5	10PAF025	1/4" Push-On Hose Fitting (<i>Five Required</i>)
6	10AH025	1/4" Push-On Air Hose (<i>Per Foot</i>)
7	10PAF0125	1/8" Push-On Air Hose Fitting
8	1014239	1/8" 90° Swivel Fitting (<i>Two Required</i>)
9	1015200	Blastmaster® 152P Remote Control Switch
10	1016000	55 ft. of Pneumatic Control Line with 1/4" & 1/8" Male and Female Fittings
11	1017019	1/4" x 1/4" Hex Nipple (<i>Three Required</i>)
12	10SME025	1/4" Straight Swivel
13	1019000	190 Pneumatic Solenoid (<i>See Figure 5</i>)
14	10DE025	1/4" NPT Dust Eliminator
15	1011824	1/4" Street Elbow
16	1019044	1/4"-20 x 1-3/4" Zinc Bolt (<i>Two Required</i>)
17	1012323	1/4"-20 Zinc Lock Nut with Nylon (<i>Two Required</i>)
—	1091045	Hazard Identification Tag
—	106M068	Part Numbers & Schematics Guide — Blastmaster® 152P Remote Control Switch
—	1090068	Operator's Manual — Blastmaster® 152P Remote Control Switch

PART NUMBERS AND SCHEMATICS

Figure 11: Blastmaster® 130P Remote Control System



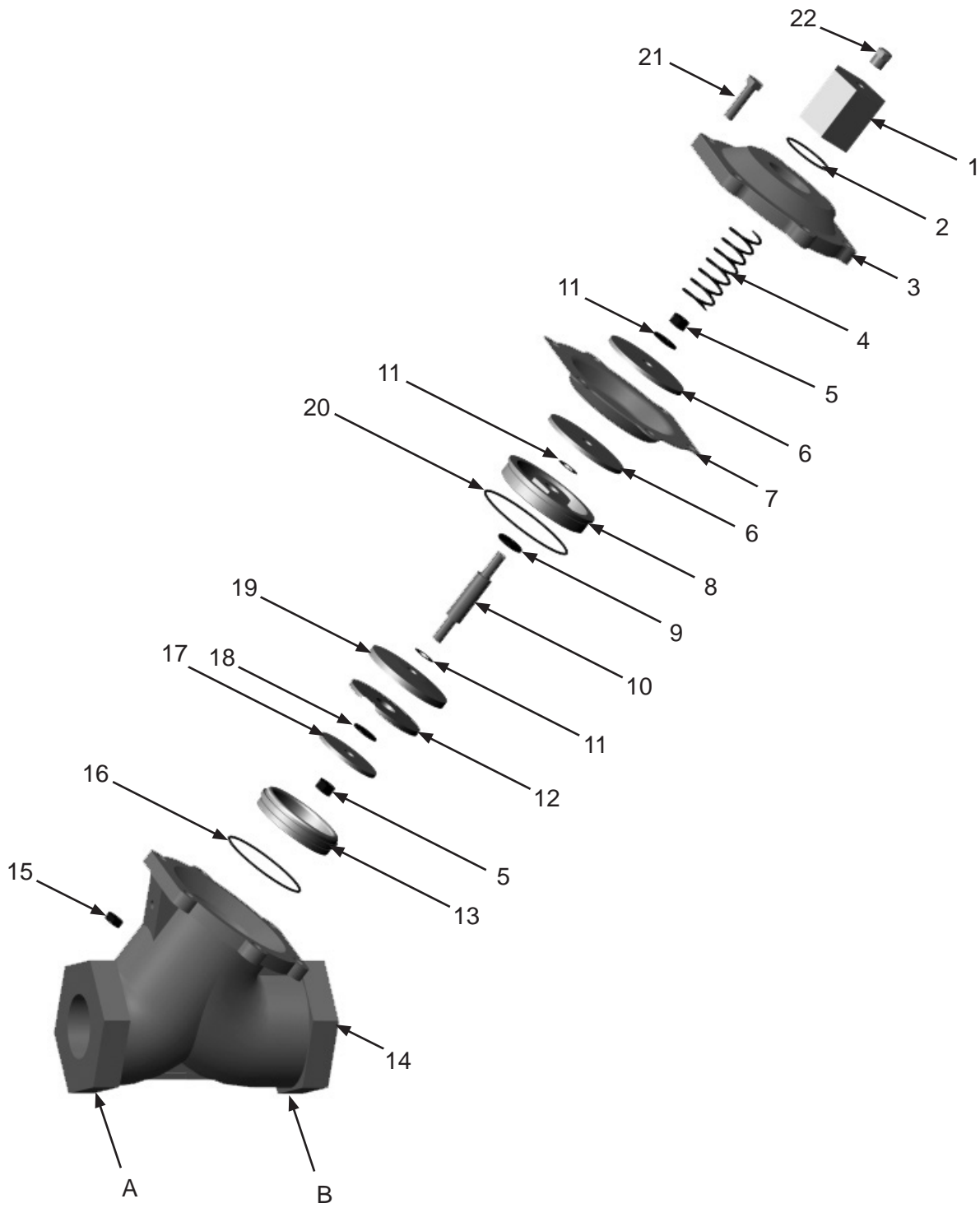
PART NUMBERS AND SCHEMATICS

1-1/2" NPT High-flow GateKeeper Air Valve

Item #	Part #	Description
Fig. 12		
—	1013600	1-1/2" NPT High-flow GateKeeper Air Valve
1	1013322	Spring Retainer
2	1013326	O-ring
3	1013312	Cap
4	1013323	Spring
5	1013313	Lock Nut
6	1013315	Diaphragm Plate <i>(two required)</i>
7	1013303	Diaphragm
8	1013305	Retainer Bushing
9	1013306	O-ring
10	1013318	Shaft
11	1013302	Gasket <i>(two required)</i>
12	1013320	Disc
13	1013311	Lock Nut
13	1013309	Seat
14	1013328	Body
15	1013316	Nut <i>(six required)</i>
16	1013308	Seat O-Ring
17	1013310	Disc Plate
18	1013327	Brass Washer
19	1013307	Disc Retainer
20	1013304	O-ring
21	1013314	Cap Screw <i>(six required)</i>
22	1012905	1/8" Breather Muffler
A	1091050	Sticker - Air Outlet
B	1091051	Sticker - Air Inlet
—	1013301	1-1/2" NPT High-flow GateKeeper Air Valve Service Kit <i>(Includes Item #'s: 5, 7, 9, 11, 12, 17, and 20)</i>

PART NUMBERS AND SCHEMATICS

Figure 12: 1-1/2" NPT High-flow GateKeeper Air Valve



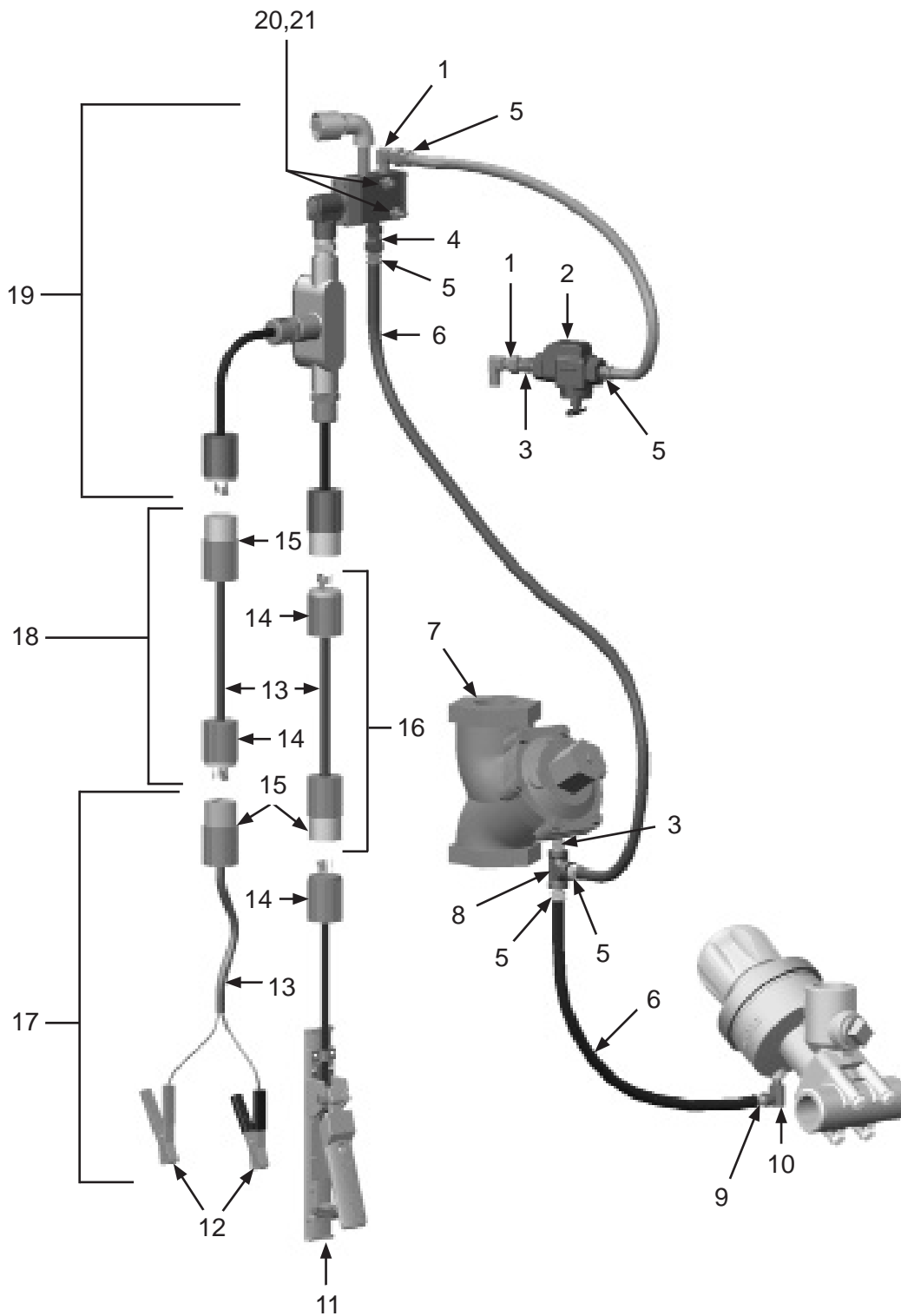
PART NUMBERS AND SCHEMATICS

12-Volt DC Blastmaster® 130E Remote Control System

Item #	Part #	Description
Fig. 13		
—	10103835	12-Volt DC Blastmaster® 130E Remote Control System – Complete
1	1012326	1/4" NPT Swivel 90° Fitting (<i>Two Required</i>)
2	10WS	Watts Strainer
3	1017019	1/4" NPT Hex Nipple (<i>Two Required</i>)
4	10SME025	1/4" Straight Swivel
5	10PAF025	1/4" NPT x 1/4" Barb Push-On Hose Fitting (<i>Five Required</i>)
6	10AH025	1/4" Push-On Air Hose (<i>Per Foot</i>)
7	1013600	1-1/2" NPT High-flow GateKeeper Air Valve (<i>See Figure 12</i>)
8	1011844	1/4" NPT Pipe Tee
9	10PAF0125	1/8" NPT x 1/4" Barb Push-On Air Hose Fitting
10	1014239	1/8" 90° Swivel Fitting
11	1015100	Blastmaster® 151E Remote Control Switch
12	1030718	Battery Clamps – pair
13	1015540	16/2 Power Cord (<i>Per Foot</i>)
14	1015555	3-prong Twist-Lock Plug – Male
15	1015556	3-prong Twist-Lock Plug – Female
16	1015545	50' of 16/2 Power Cord with 3-prong Twist-Lock Plugs (<i>Includes Item #'s: 15, 16, and 14 (Quantity of 50 Feet)</i>)
17	1015544	Battery Clamp Kit with 3-prong Twist-Lock Plug Installed (<i>Includes Item #'s: 13, 16, and 14 (Quantity of Two Feet)</i>)
18	1015546	25' of 16/2 Power Cord with 3-prong Twist-Lock Plugs Installed (<i>Includes Item #'s: 15, 16, and 14 (Quantity of 25 Feet)</i>)
19	1019051	12-Volt DC 190 Electric Control Assembly (<i>See Figure 3</i>)
20	1019044	1/4-20 x 1-3/4" Zinc Bolt (<i>Two Required</i>)
21	1012323	1/4"-20 Zinc Lock Nut with Nylon (<i>Two Required</i>)
—	1091045	Hazard Identification Tag
—	106M063	Part Numbers and Schematics Guide – Blastmaster® 151E Remote Control Switches
—	1090063	Operator's Manual – Blastmaster® 151E Remote Control Switches

PART NUMBERS AND SCHEMATICS

Figure 13: 12-Volt DC Blastmaster® 130E Remote Control System



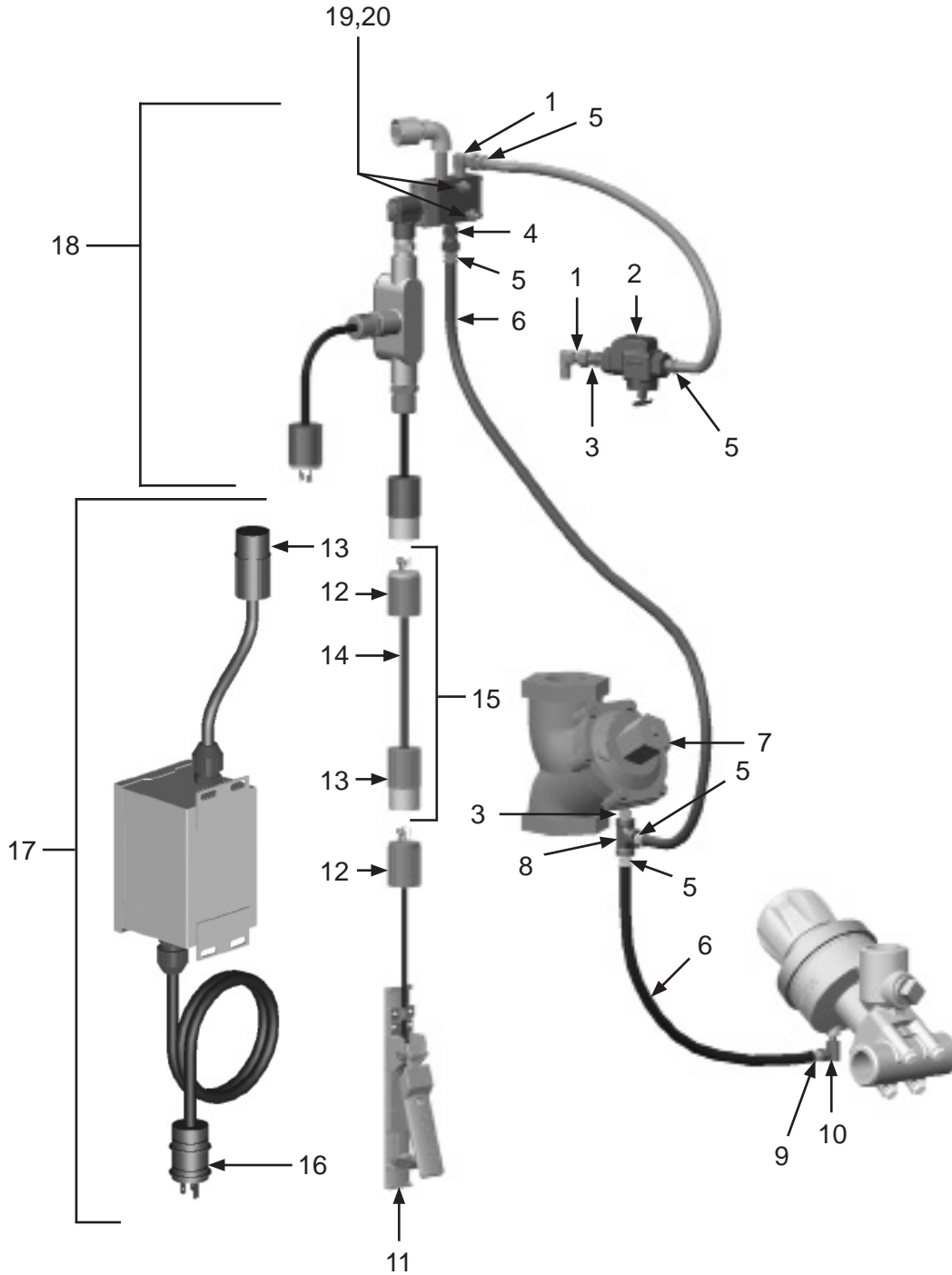
PART NUMBERS AND SCHEMATICS

120-Volt AC Blastmaster® 130E Remote Control System

Item #	Part #	Description
Fig. 14		
—	10103836	120-Volt AC Blastmaster® 130E Remote Control System – Complete
1	1012326	1/4" NPT Swivel 90° Fitting <i>(Two Required)</i>
2	10WS	Watts Strainer
3	1017019	1/4" NPT Hex Nipple <i>(Two Required)</i>
4	10SME025	1/4" Straight Swivel
5	10PAF025	1/4" NPT x 1/4" Barb Push-On Hose Fitting <i>(Five Required)</i>
6	10AH025	1/4" Push-On Air Hose <i>(Per Foot)</i>
7	1013600	1-1/2" NPT High-flow GateKeeper Air Valve <i>(See Figure 12)</i>
8	1011844	1/4" NPT Pipe Tee
9	10PAF0125	1/8" NPT x 1/4" Barb Push-On Air Hose Fitting
10	1014239	1/8" 90° Swivel Fitting
11	1015100	Blastmaster® 151E Remote Control Switch
12	1015555	3-Prong Twist-Lock Plug – Male <i>(Two Required)</i>
13	1015556	3-Prong Twist-Lock Plug – Female
14	1015540	16/2 Power Cord <i>(Per Foot)</i>
15	1015545	50' of 16/2 Power Cord with 3-prong Twist-Lock Plugs Installed <i>(Includes Item #'s: 13, 14, and 15 (Quantity of 50 Feet))</i>
16	1030026	120-Volt 3-prong Standard Male Plug
17	10100713	3 Amp 120-Volt AC to 12-Volt AC Power Converter <i>(Includes Item #'s: 14 and 17)</i>
18	1019052	12-Volt AC 190 Electric Control Assembly <i>(See Figure 3)</i>
19	1019044	1/4"-20 x 1-3/4" Zinc Bolt <i>(Two Required)</i>
20	1012323	1/4"-20 Zinc Lock Nut with Nylon <i>(Two Required)</i>
—	1091045	Hazard Identification Tag
—	106M063	Part Numbers and Schematics Guide – Blastmaster® 151E Remote Control Switches
—	1090063	Operator's Manual – Blastmaster® 151E Remote Control Switches

PART NUMBERS AND SCHEMATICS

Figure 14: 120-Volt AC Blastmaster® 130E Remote Control System



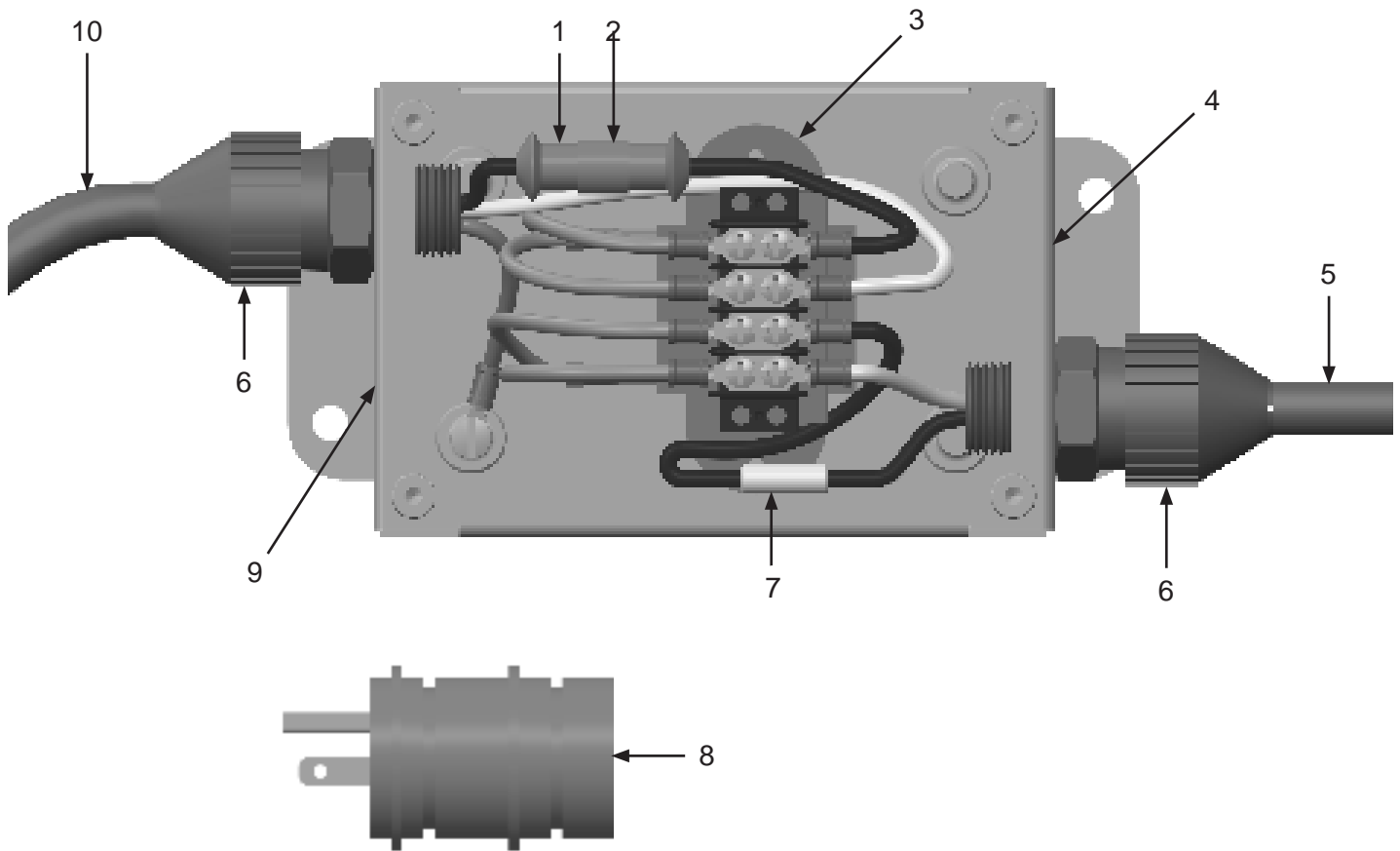
PART NUMBERS AND SCHEMATICS

Blastmaster® 120-Volt AC to 12-Volt AC Power Converter

Item #	Part #	Description
Fig. 15		
—	1030020	Blastmaster® 120-Volt AC to 12-Volt AC Power Converter with 3 feet of 14/2 Electric Cord and Plug – Complete
1	1030123	3 Amp Fuse
2	1030023	In-Line Fuse Holder
3	1030022	Transformer – Blastmaster 120-Volt AC to 12-Volt AC Power Converter
4	1091067	Power-Out Decal (<i>Not Shown</i>)
5	1030013	14/2 SEOW Electric Cord (<i>Per Foot</i>)
6	1030025	Strain Relief (<i>Two Required</i>)
7	1030021	Resistor
8	1030026	3-prong, 120-Volt AC Plug – Male
9	1092014	Power-In Decal (<i>Not Shown</i>)
10	1015550	14/3 SEOW Electric Cord (<i>Per Foot</i>)
—	1091063	Hazard Identification Decal

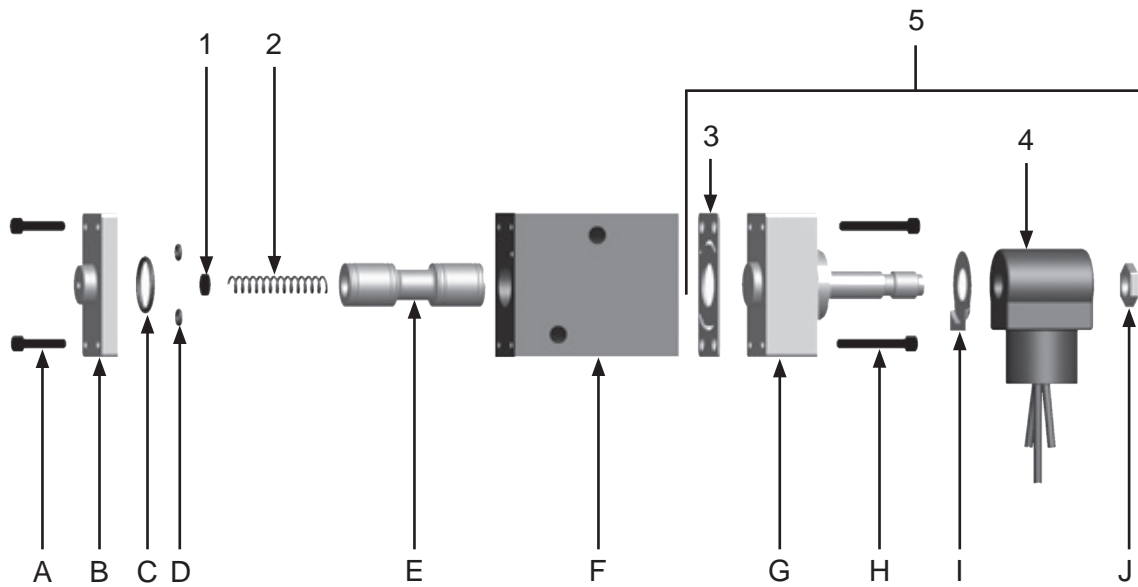
PART NUMBERS AND SCHEMATICS

Figure 15: Blastmaster® 120-Volt AC to 12-Volt AC Power Converter



PART NUMBERS AND SCHEMATICS

Figure 17: 12-Volt DC 190 Electric Solenoid

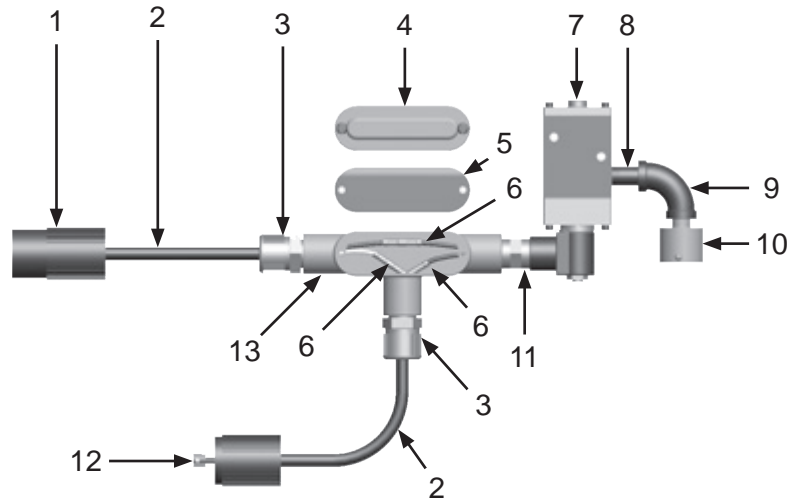


Item #	Part #	Description
Fig. 17		
—	1019010	12-Volt DC 190 Electric Solenoid — Normally-closed — Complete
1	1019029	Felt Filter
2	1019032	Spring
3	1019033	Gasket
4	1019039	12-Volt DC Coil
5	1019034	12-Volt DC Operator Assembly (Includes Items: #3, #4, G, H, I, and J)
—	1019030	Electric Solenoid Repair Kit (Includes Items: #1, #2, #3, C, D, and E)

* Items A–J are not available individually

PART NUMBERS AND SCHEMATICS

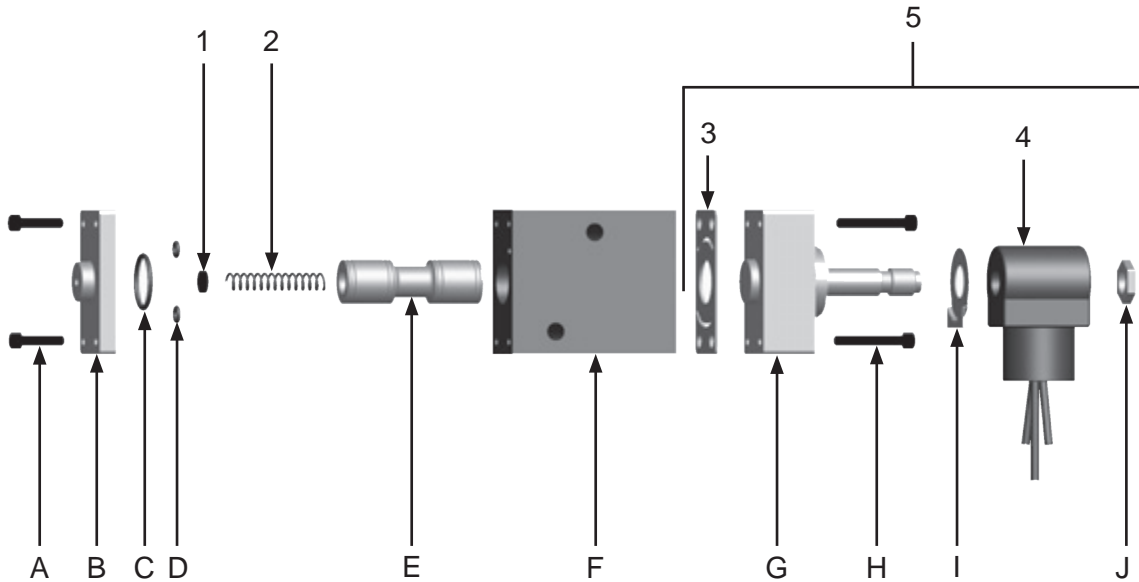
Figure 18: 12-Volt AC 190 Electric Control Assembly



Item #	Part #	Description
Fig. 18		
—	1019052	12-Volt AC 190 Electric Control Assembly – Complete
1	1015556	3-Prong Twist-Lock Plug – Female
2	1015540	16/2 Power Cord – Per Foot
3	1019021	Cord Grip (<i>Two Required</i>)
4	1019022	Conduit Box Cover
5	1019023	Conduit Box Cover Gasket
6	1030028	Butt Splicer (<i>Four Required</i>)
7	1019011	12-Volt AC Electric Solenoid – Complete
8	1011217	1/4" x 2" Pipe Nipple
9	1011832	1/4" NPT 90° Pipe Nipple
10	10DE025	Dust Eliminator
11	20100677	1/2" x 1/2" NPT Hex Nipple
12	1015555	3-Prong Twist-Lock Plug – Male
13	1019020	1/2" Tee Conduit Box

PART NUMBERS AND SCHEMATICS

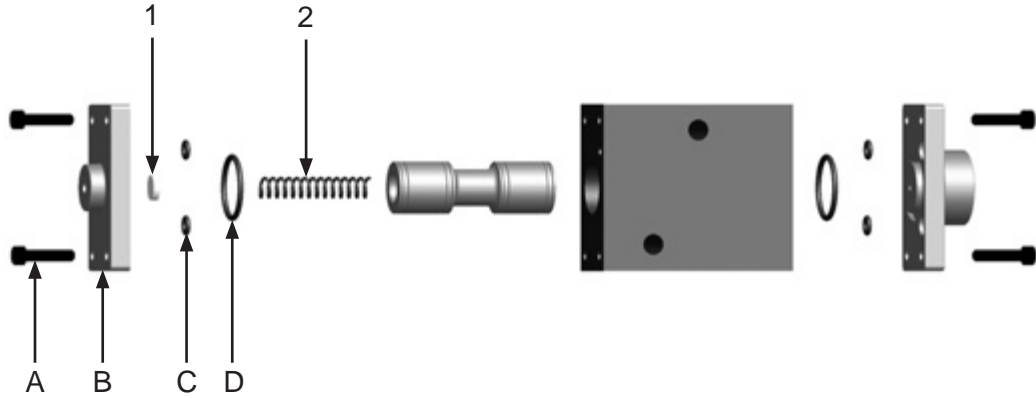
Figure 19: 12-Volt AC 190 Electric Solenoid



Item #	Part #	Description
Fig. 19		
—	1019011	12-Volt AC 190 Electric Solenoid – Complete
1	1019029	Felt Filter
2	1019032	Spring
3	1019033	Gasket
4	1019040	12-Volt AC Coil
5	1019035	12-Volt AC Electric Operator Assembly (Includes Items: #3, #4, G, H, I, and J)
—	1019030	12-Volt AC Electric Solenoid Repair Kit (Includes Items: #1, #2, #3, C, D, and E)
* Items A–J are not available individually		

PART NUMBERS AND SCHEMATICS

Figure 20: 190 Pneumatic Solenoid

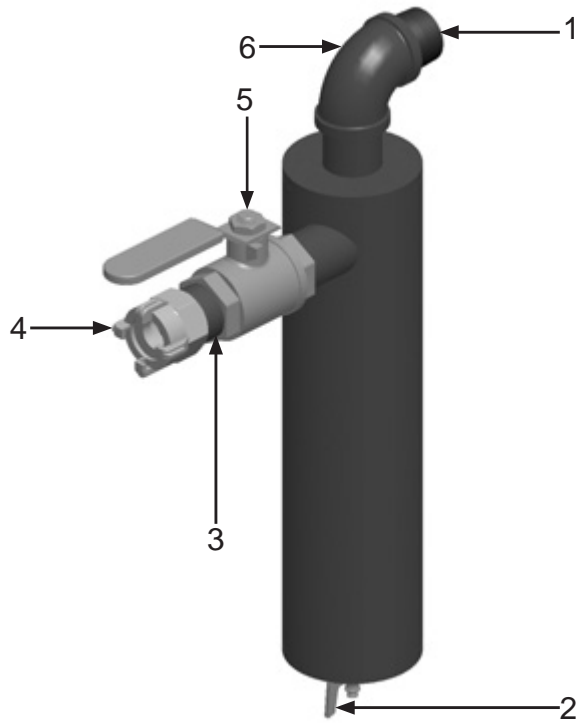


Item #	Part #	Description
Fig. 20		
—	1019000	190 Pneumatic Solenoid Normally—Closed — Complete
1	1019029	Felt Filter
2	1019032	Spring
3	1019027	Pneumatic Solenoid Operator Assembly (Includes Items: G, H, I, and J)
4	1019028	Pneumatic Solenoid Repair Kit (Includes Items: #1, #2, C, D, E, G, and H)

* Items A–J are not available individually

OPTIONAL ACCESSORIES

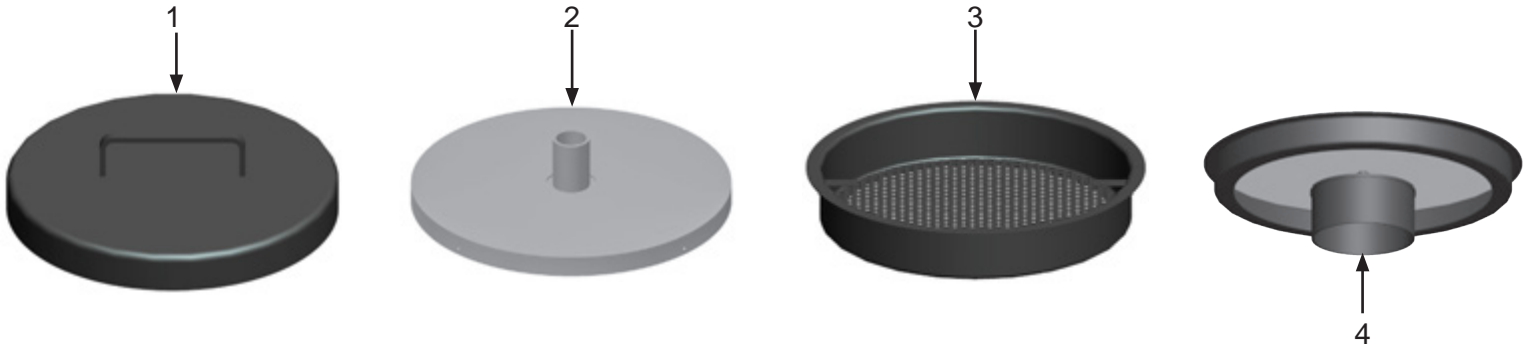
Figure 21: 1-1/2" Extractor Abrasive Blasting Pot Moisture Separator



Item #	Part #	Description
Fig. 21		
—	10101313	1-1/2" Extractor Abrasive Blasting Pot Moisture Separator
1	1014015	1-1/2" NPT Close Nipple
2	1012101	1/4" NPT Brass Petcock
3	1014015	1-1/2" NPT Close Nipple
4	10ME4	1-1/2" (F) 4-Lug Air Hose Coupling
5	1011603	1-1/2" NPT Full Port Brass Ball Valve
6	1011842	1-1/2" 90° Galvanized Elbow
—	106M349	Part Numbers and Schematics Guide – Extractor Moisture Separators

OPTIONAL ACCESSORIES

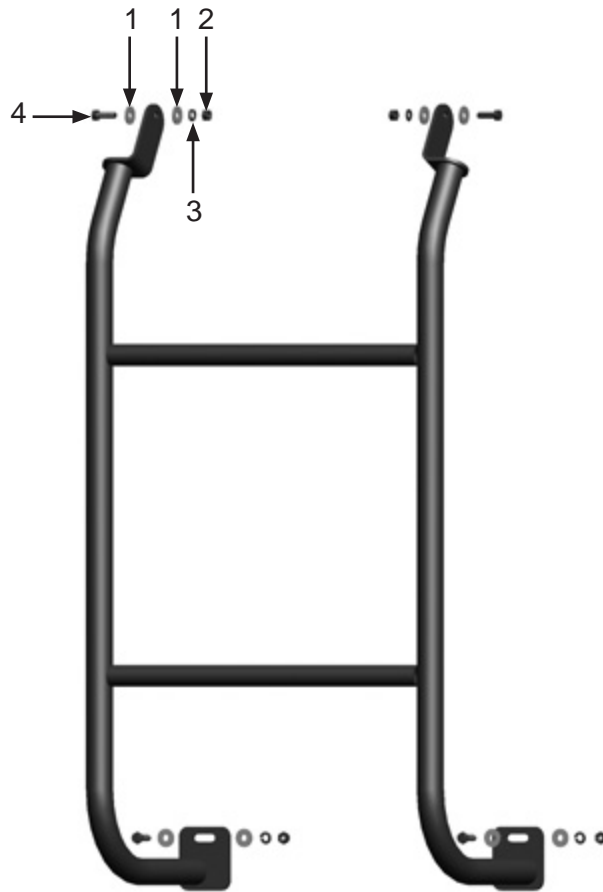
Figure 22: Lids and Screens (Optional)



Item #	Part #	Description
Fig. 22		
1	1006101	24" Lid
2	10108827	24" Cover with 2-3/4" Fill
3	1006102	24" Screen
4	10100733	Abrasive Umbrella (<i>Screen Not Included</i>)

OPTIONAL ACCESSORIES

Figure 23: Loading Skid



Item #	Part #	Description
--------	--------	-------------

Fig. 23

—	1065040	Loading Skid – Complete
1	10L805003	5/16" Zinc Flat Washer
2	1035046	5/16-18 Nut
3	10L805014	5/16" Lock Washer
4	1035045	5/16-18 x 1" Bolt

CONTACT CENTER

- 3425 East Locust Street
Davenport, IA 52803

ph: 800.BLAST.IT (800.252.7848)
ph: 563.324.2519
fax: 563.324.6258

REGIONAL BRANCH OFFICES

- Iowa
Davenport
- Louisiana
Gonzales
Lafayette
- Ohio
Youngstown
- Texas
Beaumont
Corpus Christi
Deer Park



ABRASIVES
BLASTING
COATING
DUST COLLECTION
RENTAL & SERVICE
SAFETY
VACUUMS

40+ NATIONWIDE SHIPPING LOCATIONS



★ Marco Regional Branch Offices and Shipping Locations ● Direct Shipping Locations

CONTACT MARCO

800.BLAST.IT
(800.252.7848)
563.324.2519
FAX: 563.324.6258

WWW.MARCO.US
SALES@MARCO.US