



BLASTMASTER® 6.5 CU. FT. E-SERIES ABRASIVE BLASTING POT



BUILT MARCO TOUGH
MARCO MANUFACTURED

PART NUMBERS AND SCHEMATIC GUIDE

Company Profile

Since 1944, Marco has developed a strong tradition of providing innovative and reliable products and services to the surface preparation and protective coatings industries. We are the world's premier provider of Abrasives, Blasting, Coating, Dust Collectors, Engineered Systems, Rental, Safety, Service, Repair, & Modernization, and Vacuums.

Through innovative designs and a total commitment to quality, Marco manufactures products that increase production rates, create a safer workplace, and reduce maintenance costs. Marco's industry experience, manufacturing capabilities, legendary customer service, product availability, logistics services, and technology leadership is your assurance that we deliver high quality products and services, providing the best value to you, our customer.

The Marco Difference

- **Industry Experience** – With Marco on your team, you have access to expertise which can only come from decades of industry leadership. We have organized our engineering department, production specialists, customer operations, and safety support into a “Center of Competence.” As a Marco customer, you have access to hundreds of years of cumulative experience related to your operations.
- **Manufacturing Excellence** – Marco is a U.S. based, ISO 9001:2008 certified manufacturer of equipment for the Surface Preparation and Protective Coatings industries. Marco's engineers benchmark the industry to ensure that we design and manufacture superior products that set the “Gold Standard” for performance, safety, and quality.
- **Legendary Customer Service** – Marco's legendary customer service team is staffed by friendly, highly-trained individuals who are focused on providing the highest level of product support, order accuracy, and customer satisfaction.
- **Product Availability** – We stock over 10,000 SKU's and have more than 45 shipping locations to serve North American and International markets for all major brands of blasting and coating equipment. As the largest provider of surface preparation and protective coatings equipment in the world, our inventory levels and product availability are unmatched.
- **Logistics Services** – Marco's in-house logistics team is dedicated to moving your shipment anywhere in the world. We move more than 14,000 truckloads every year, allowing you to save on freight costs by leveraging our buying power. Lower your process costs with a single invoice, which includes product and freight.
- **Technology Leadership** – Our website provides: Operator's Manuals, Part Numbers and Schematics Guides, SDS information, and Features & Specifications Guides, providing access to information 24/7. Our Extranet application allows you to receive quotes and place orders online. Our Intranet maintains a complete record of your purchase history to assist with ongoing support of your existing equipment and future purchasing decisions.

Vision Statement

Marco is the world's premier provider of Abrasives, Blasting, Coating, Dust Collectors, Engineered Systems, Rental, Safety, Service, Repair, & Modernization, and Vacuums.

Mission Statement

Marco provides strong leadership and innovation to the surface preparation and protective coatings industries. We dedicate our efforts to the continuous improvement of our products, services, processes, people, and most importantly, the quality of our customer's experience.

Quality Statement

Marco is committed to providing superior quality in the design, manufacturing, distribution, rental, service, and repair of our products. Our ISO 9001:2008 certification extends throughout all operations in all locations. Continuous improvement of our processes and supply chain Integration comprise the core of our business strategy for delivering exceptional quality and value in all Marco products and services.

Management Philosophy

We are a company dedicated to the success of every customer and associate. We discuss, debate, challenge, measure, and test our ideas. We will be boundless and limitless in our passion to improve. Through sound leadership and dedicated associates, we will ensure a long term, profitable future for Marco, our associates, customers, and suppliers.

TABLE OF CONTENTS

Part Numbers	4	12-Volt AC 190 Electric Solenoid	38
Part Numbers & Schematics Guide	5	12-Volt AC 190 Electric Control Assembly	39
6.5 Cu. Ft. E-Series Abrasive Blasting Pot – Blastmaster® 125P Remote Control System – Manual Easy-Flow Metering Valve	6	Inspection Door Assembly	40
6.5 Cu. Ft. E-Series Abrasive Blasting Pot – Blastmaster® 125E Remote Control System – Manual Easy-Flow Metering Valve	8	Pop-Up Valve Assembly	40
6.5 Cu. Ft. E-Series Abrasive Blasting Pot – Blastmaster® 130P Remote Control System – Automatic Easy-Flow Metering Valve	10	Pusher Line Assembly	41
6.5 Cu. Ft. E-Series Abrasive Blasting Pot – Blastmaster® 130E Remote Control System – Automatic Easy-Flow Metering Valve	12	Blastmaster® Abrasive Blasting Pot Muffler	42
Automatic Easy-Flow Metering Valve	14	Blastmaster® Extractor Moisture Separator	43
Manual Easy-Flow Metering Valve	16	Optional Accessories	44
Blastmaster® 125P Remote Control System	18	Lid and Screen	44
1-1/2" Inlet Valve	20		
1" Outlet Valve	21		
Abrasive Trap	22		
120-Volt AC to 12-Volt AC Power Converter	23		
12-Volt DC Blastmaster® 125E Remote Control System	24		
120-Volt AC Blastmaster® 125E Remote Control System	26		
Blastmaster® 130P Remote Control System	28		
12-Volt DC Blastmaster® 130E Remote Control System	30		
120-Volt AC Blastmaster® 130E Remote Control System	32		
1-1/2" NPT High-flow GateKeeper Air Valve	34		
12-Volt DC 190 Electric Solenoid	36		
12-Volt DC 190 Electric Control Assembly	37		

PART NUMBERS

BLASTMASTER® 6.5 CU. FT. E-SERIES ABRASIVE BLASTING POT

Part Numbers	Power Source	Automatic Easy-Flow Metering Valve	Manual Easy-Flow Metering Valve	Blastmaster® Remote Control System	Blastmaster® Remote Control Switch	Blastmaster® Extractor Moisture Separator
10105281PKA	Pneumatic	X		130P	152P	X
10105278PKA	Pneumatic		X	125P	150P	X
10105282PKA	12-Volt DC	X		130E	151E	X
10105279PKA	12-Volt DC		X	125E	151E	X
10105325PKA	120-Volt AC	X		130E	151E	X
10105280PKA	120-Volt AC		X	125E	151E	X

PART NUMBERS & SCHEMATICS GUIDE



(10105278PKA)



(10105279PKA)
(10105280PKA)



(10105281PKA)



(10105282PKA)
(10105325PKA)

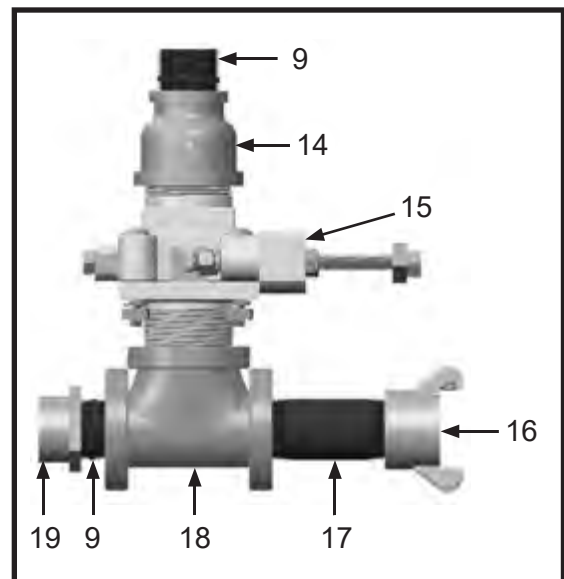
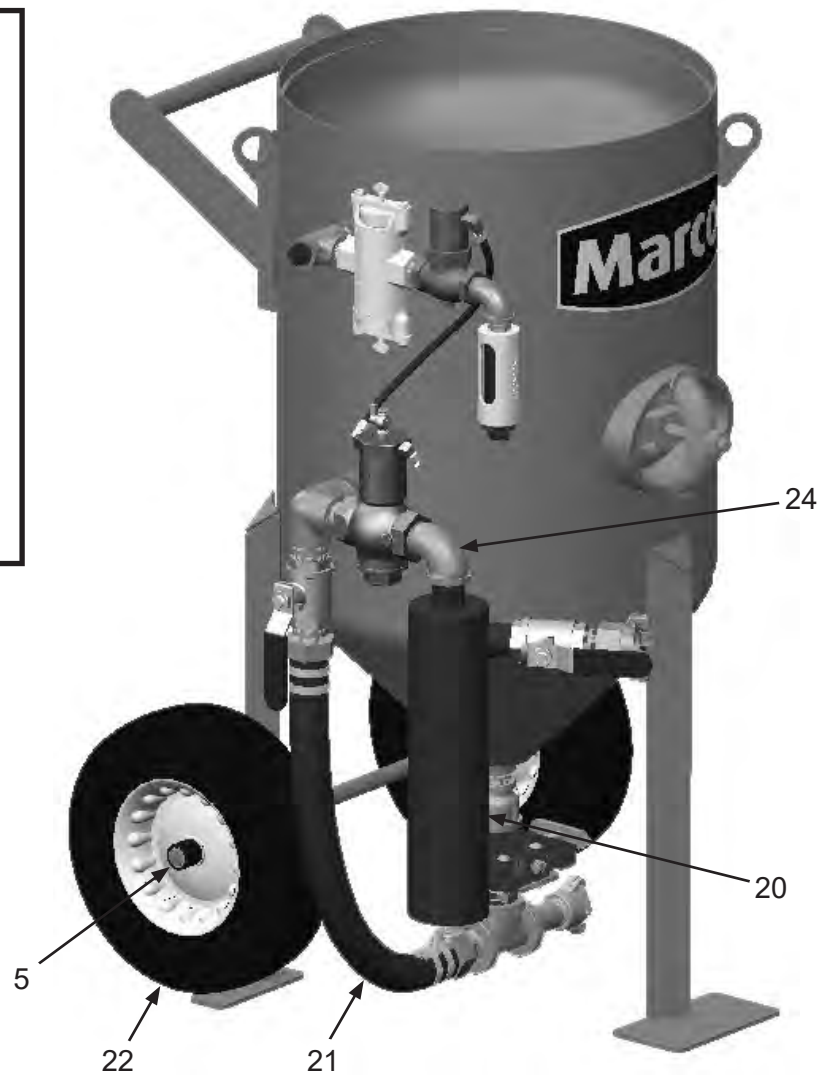
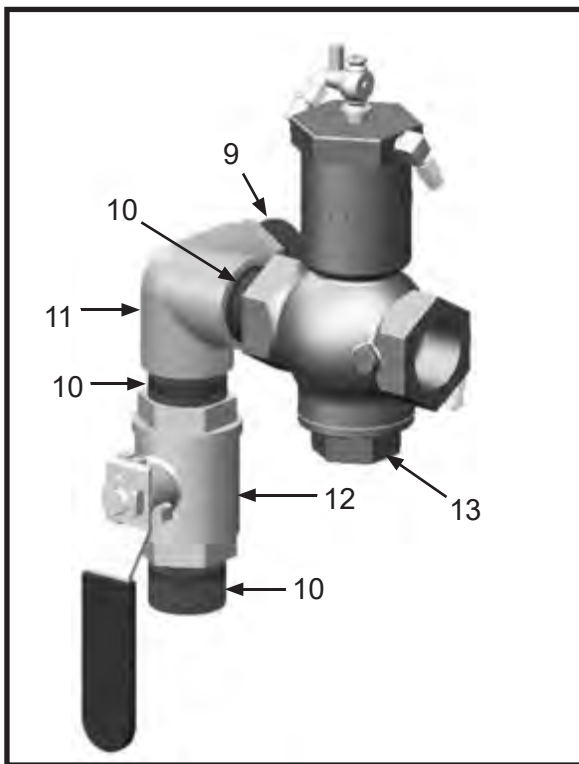
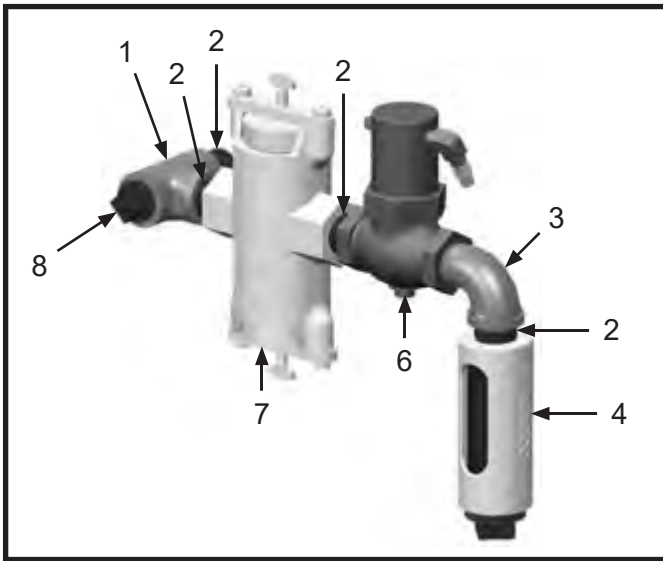
PART NUMBERS & SCHEMATICS GUIDE

6.5 Cu. Ft. E-Series Abrasive Blasting Pot – Blastmaster® 125P Remote Control System – Manual Easy-Flow Metering Valve

Item#	Part#	Description
Fig. 1		
1	1011816	1" Pipe Tee – Galvanized
2	1012151	1" Galvanized Close Nipple (<i>Four Required</i>)
3	1011801	1" Street Elbow
4	1011100	Muffler Assembly Complete
5	1011839	1-1/2" 90° Street Elbow
6	1012050	1" Outlet Valve
7	1012000	Abrasive Trap Complete
8	1011901	1" Square Pipe Plug
9	1011201	1-1/4" NPT Close Nipple (<i>Three Required</i>)
10	1014015	1-1/2" Close Nipple (<i>Three Required</i>)
11	1011804	1 1/2" 90° Elbow With Side Out
12	1011603	1-1/2" Full Port Ball Valve
13	1012200	1-1/2" Inlet Valve
14	10105196	2" x 1-1/4" Bell Reducer
15	10105103	Manual Easy-Flow Metering Valve
16	10ME4	4-Lug Air Hose Fitting – 1-1/2" NPT (F)
17	1011207	1-1/4" x 4" Pipe Nipple
18	1070390	Tee – 1-1/4" x 1-1/4" x 2"
19	1011501	1-1/2" (M) x 1-1/4" (F) Bushing (<i>Two Required</i>)
20	—	Blastmaster® 1-1/2" Extractor Moisture Separator (<i>See Fig. 9</i>)
21	—	1-1/2" Pusher Line Assembly (<i>See Fig. 7</i>)
22	1006064	16" Tire (Two Required)
23	1006205	Tire Clip (Four Required)
—	1091020	Warning Plate
—	1091025	Warning Tag
—	1091045	Warning Tag
—	1091045	Warning Tag
—	105M128	Features and Specifications Guide – Blastmaster® 6.5 Cu. Ft. E-Series Abrasive Blasting Pot
—	105M023	Features and Specifications Guide – Blastmaster® 150P Remote Control Switch
—	106M128	Part Numbers and Schematics Guide – Blastmaster® 6.5 Cu. Ft. E-Series Abrasive Blasting Pot
—	106M023	Part Numbers and Schematics Guide – Blastmaster® 150P Remote Control Switch
—	1090128	Operator's Manual – Blastmaster® 6.5 Cu. Ft. E-Series Abrasive Blasting Pot
—	1090023	Operator's Manual – Blastmaster® 150P Remote Control Switch

PART NUMBERS & SCHEMATICS GUIDE

Figure 1: 6.5 Cu. Ft. E-Series Abrasive Blasting Pot – Blastmaster® 125P Remote Control System – Manual Easy-Flow Metering Valve



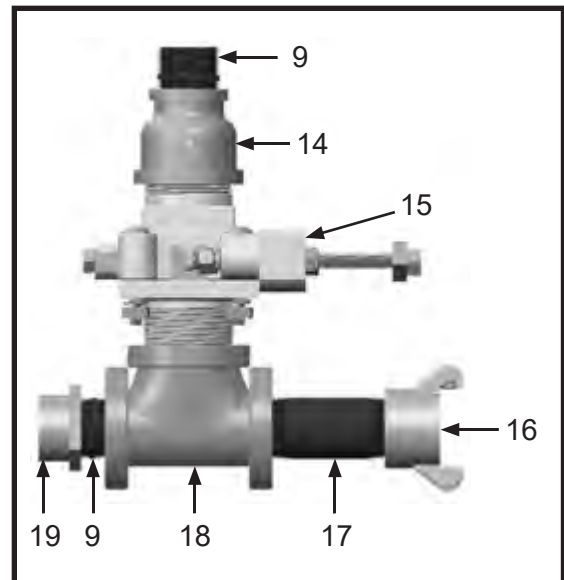
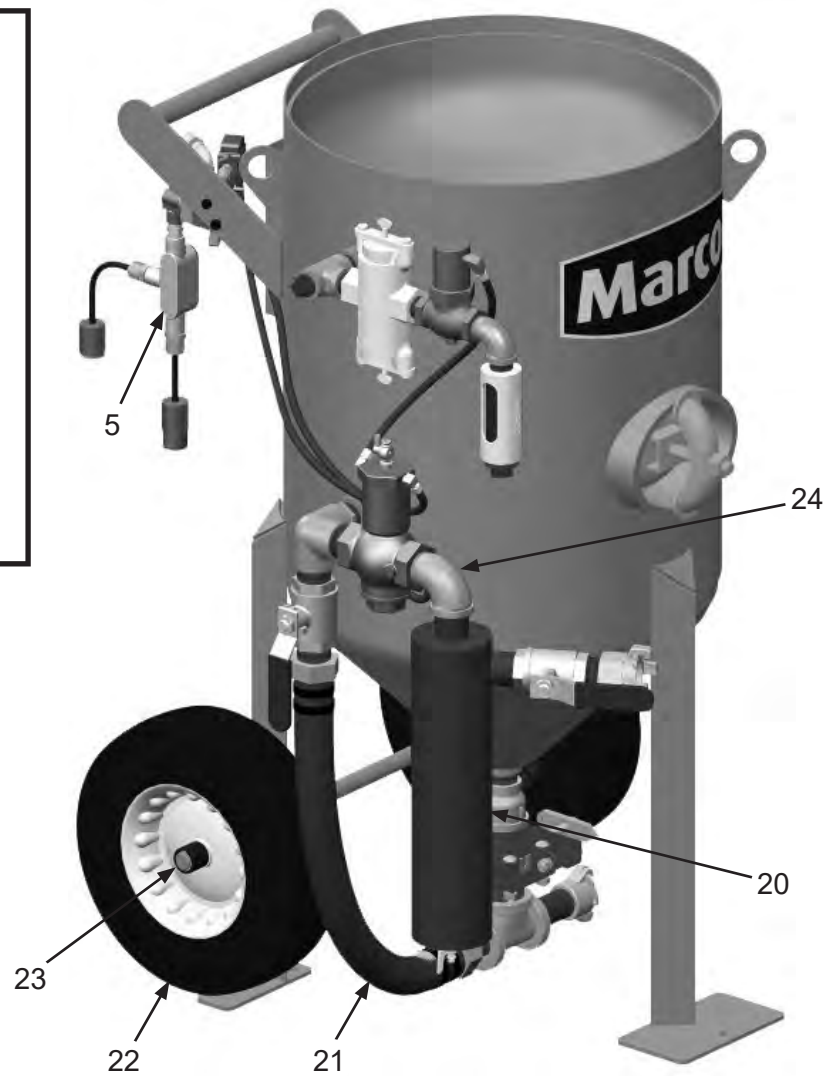
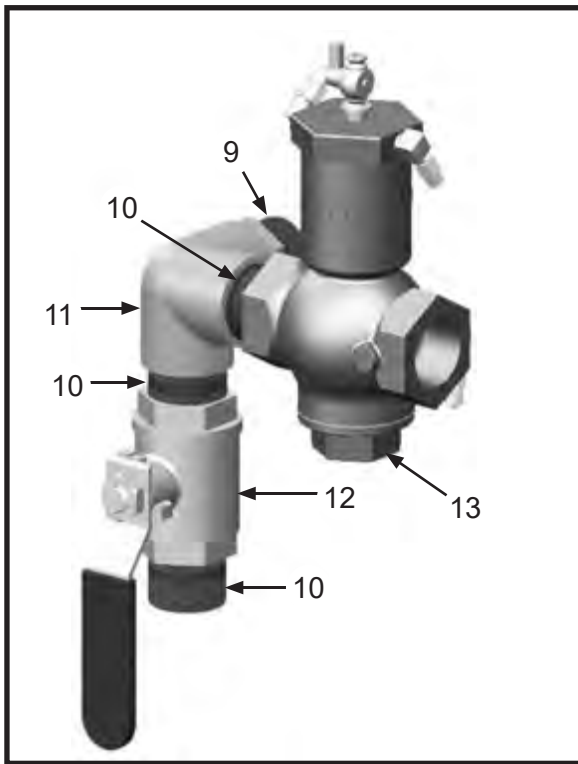
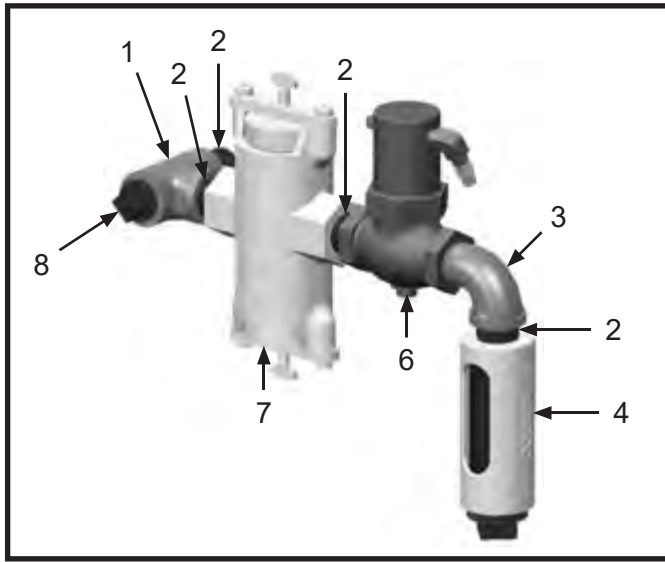
PART NUMBERS & SCHEMATICS GUIDE

6.5 Cu. Ft. E-Series Abrasive Blasting Pot – Blastmaster® 125E Remote Control System – Manual Easy-Flow Metering Valve

Item#	Part#	Description
Fig. 2		
1	1011816	1" Pipe Tee - Galvanized
2	1012151	1" Galvanized Close Nipple (<i>Four Required</i>)
3	1011801	1" Street Elbow
4	1011100	Muffler Assembly Complete
5	1019051	12-Volt DC 190 Electric Control Assembly
6	1012050	1" Outlet Valve
7	1012000	Abrasive Trap Complete
8	1011901	1" Square Pipe Plug
9	1011201	1-1/4" NPT Close Nipple (<i>Three Required</i>)
10	1014015	1-1/2" Close Nipple (<i>Three Required</i>)
11	1011804	1 1/2" 90° Elbow With Side Out
12	1011603	1-1/2" Full Port Ball Valve
13	1012200	1-1/2" Inlet Valve
14	10105196	2" x 1-1/4" Bell Reducer
15	10105103	Manual Easy-Flow Metering Valve
16	10ME4	4-Lug Air Hose Fitting – 1-1/2" NPT (F)
17	1011207	1-1/4" x 4" Pipe Nipple
18	1070390	Tee – 1-1/4" x 1-1/4" x 2"
19	1011501	1-1/2" (M) x 1-1/4" (F) Bushing (<i>Two Required</i>)
20	—	Blastmaster® 1-1/2" Extractor Moisture Separator (<i>See Fig. 9</i>)
21	—	1-1/2" Pusher Line Assembly (<i>See Fig. 7</i>)
22	1006064	16" Tire (Two Required)
23	1006205	Tire Clip (Four Required)
24	1011839	1-1/2" 90° Street Elbow
—	1091020	Warning Plate
—	1091025	Warning Tag
—	1091045	Warning Tag
—	1091045	Warning Tag
—	105M063	Features and Specifications Guide – Blastmaster® 151E Remote Control Switch
—	105M128	Features and Specifications Guide – Blastmaster® 6.5 Cu. Ft. E-Series Abrasive Blasting Pot
—	106M063	Part Numbers and Schematics Guide – Blastmaster® 151E Remote Control Switch
—	106M128	Part Numbers and Schematics Guide – Blastmaster® 6.5 Cu. Ft. E-Series Abrasive Blasting Pot
—	1090063	Operator's Manual – Blastmaster® 151E Remote Control Switch
—	1090128	Operator's Manual – Blastmaster® 6.5 Cu. Ft. E-Series Abrasive Blasting Pot

PART NUMBERS & SCHEMATICS GUIDE

Figure 2: 6.5 Cu. Ft. E-Series Abrasive Blasting Pot – Blastmaster® 125E Remote Control System – Manual Easy-Flow Metering Valve



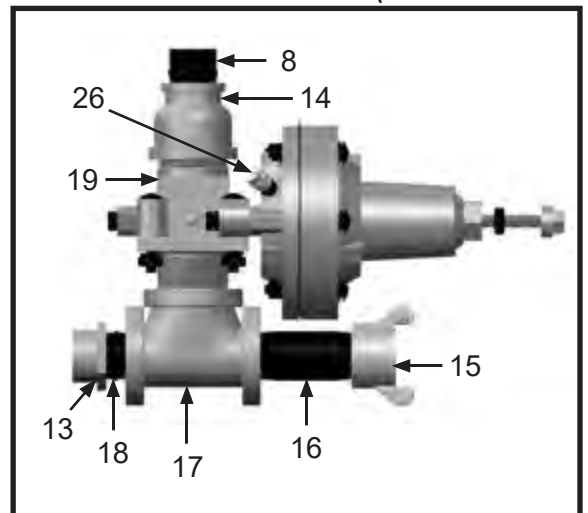
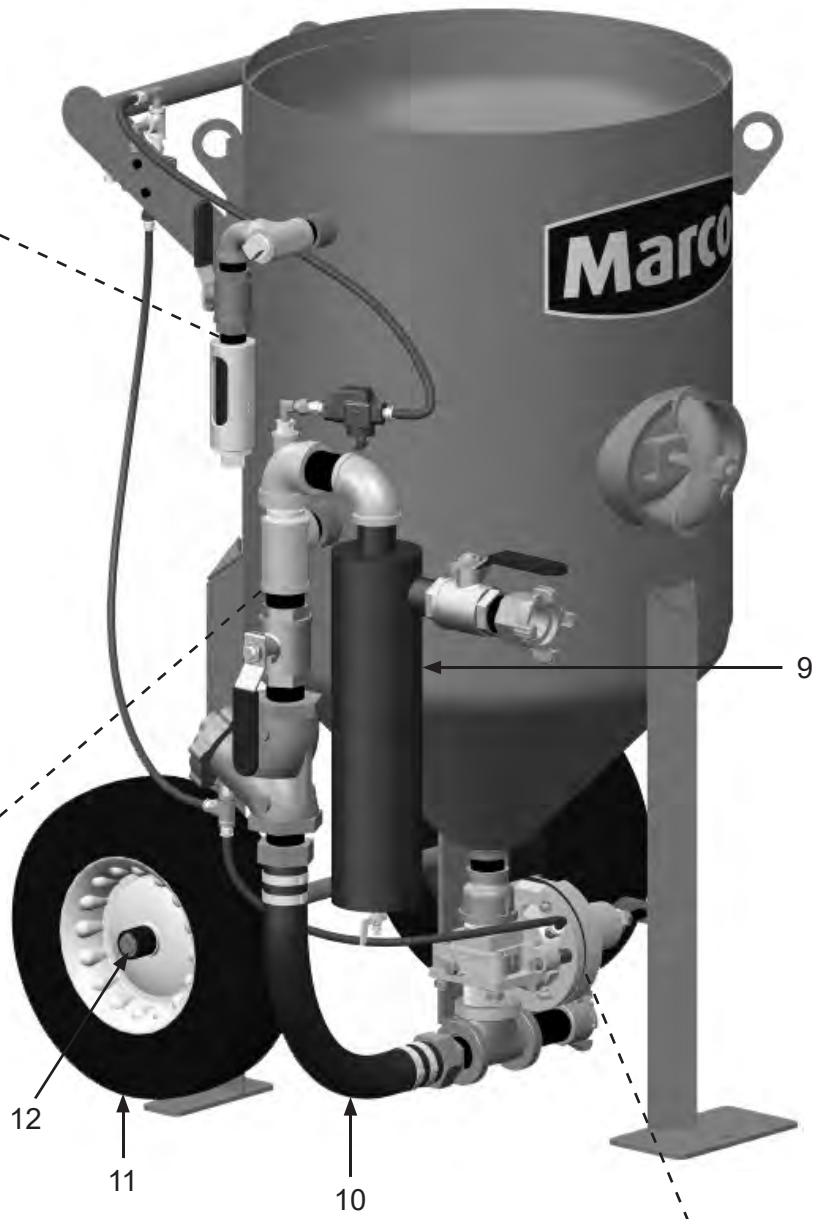
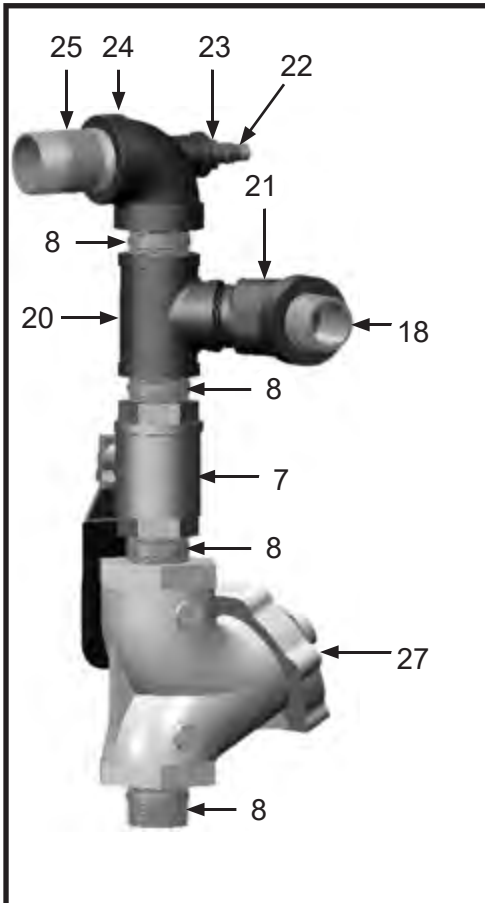
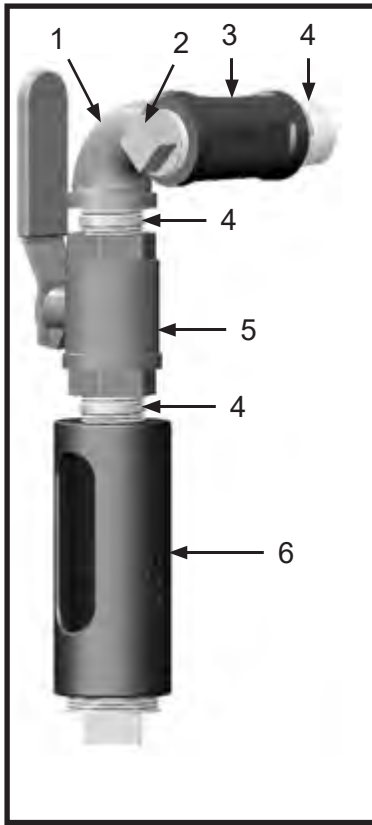
PART NUMBERS & SCHEMATICS GUIDE

6.5 Cu. Ft. E-Series Abrasive Blasting Pot – Blastmaster® 130P Remote Control System – Automatic Easy-Flow Metering Valve

Item#	Part#	Description
Fig. 3		
1	1011801	1" Street Elbow
2	1011901	1" Square Head Plug
3	1011816	1" Pipe Tee - Galvanized
4	1012151	1" Close Nipple (<i>Three Required</i>)
5	1011601	1" Full Port Ball Valve
6	1011100	Muffler Assembly Complete
7	1011603	1-1/2" Full Port Ball Valve (<i>Two Required</i>)
8	1014015	1-1/2" Close Nipple (<i>Four Required</i>)
9	10101313	Blastmaster® 1-1/2" Moisture Separator (<i>See Fig. 9</i>)
10	—	1-1/2" Pusher Line Assembly (<i>See Fig. 7</i>)
11	1006064	16 x 4 x 1 Rubber Wheel
12	1006205	1" Wheel Clip
13	1011501	1-1/2" (M) x 1-1/4" (F) Bushing
14	10105393	2" x 1-1/2" Bell Reducer
15	10SB1	1-1/4" Brass Tank Coupling
16	1011207	1-1/4" x 4" Pipe Nipple
17	1070390	Tee – 1-1/4" x 1-1/4" x 2"
18	1011201	1-1/4" Close Nipple (<i>Two Required</i>)
19	10105102	Automatic Easy-Flow Metering Valve
20	1011836	1-1/2" x 1-1/2" x 1-1/4" Pipe Tee
21	1011802	1-1/4" x 45° Street Elbow
22	1017019	Hex Nipple 1/4" x 1/4"
23	1011818	1/2" x 1/4" Galvanized Bushing
24	1011828	1-1/2" 90° Elbow
25	1011203	1-1/2" x 3" Nipple
26	20PHA24SJ04	1/4" Female Coupling
27	1013200	1-1/2" Gatekeeper Valve
—	1091020	Warning Plate
—	1091025	Warning Tag
—	1091045	Warning Tag
—	105M068	Features and Specifications Guide – Blastmaster® 152P Remote Control Switch
—	105M128	Features and Specifications Guide – Blastmaster® 6.5 Cu. Ft. E-Series Abrasive Blasting Pot
—	106M068	Part Numbers and Schematics Guide – Blastmaster® 152P Remote Control Switch
—	106M128	Part Numbers and Schematics Guide – Blastmaster® 6.5 Cu. Ft. E-Series Abrasive Blasting Pot
—	1090068	Operator's Manual – Blastmaster® 152P Remote Control Switch
—	1090128	Operator's Manual – Blastmaster® 6.5 Cu. Ft. E-Series Abrasive Blasting Pot

PART NUMBERS & SCHEMATICS GUIDE

Figure 3: 6.5 Cu. Ft. E-Series Abrasive Blasting Pot – Blastmaster® 130P Remote Control System – Automatic Easy-Flow Metering Valve



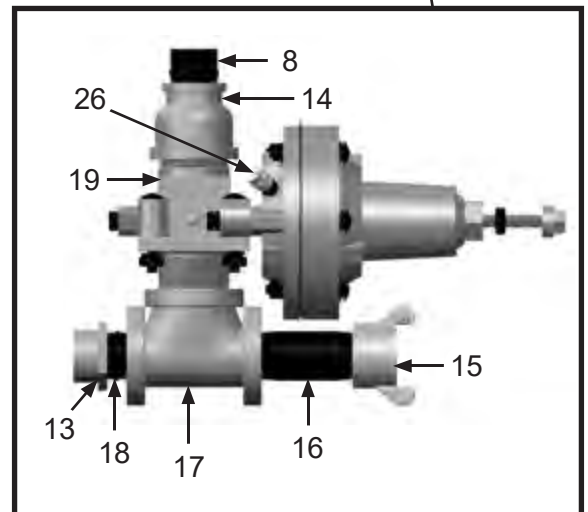
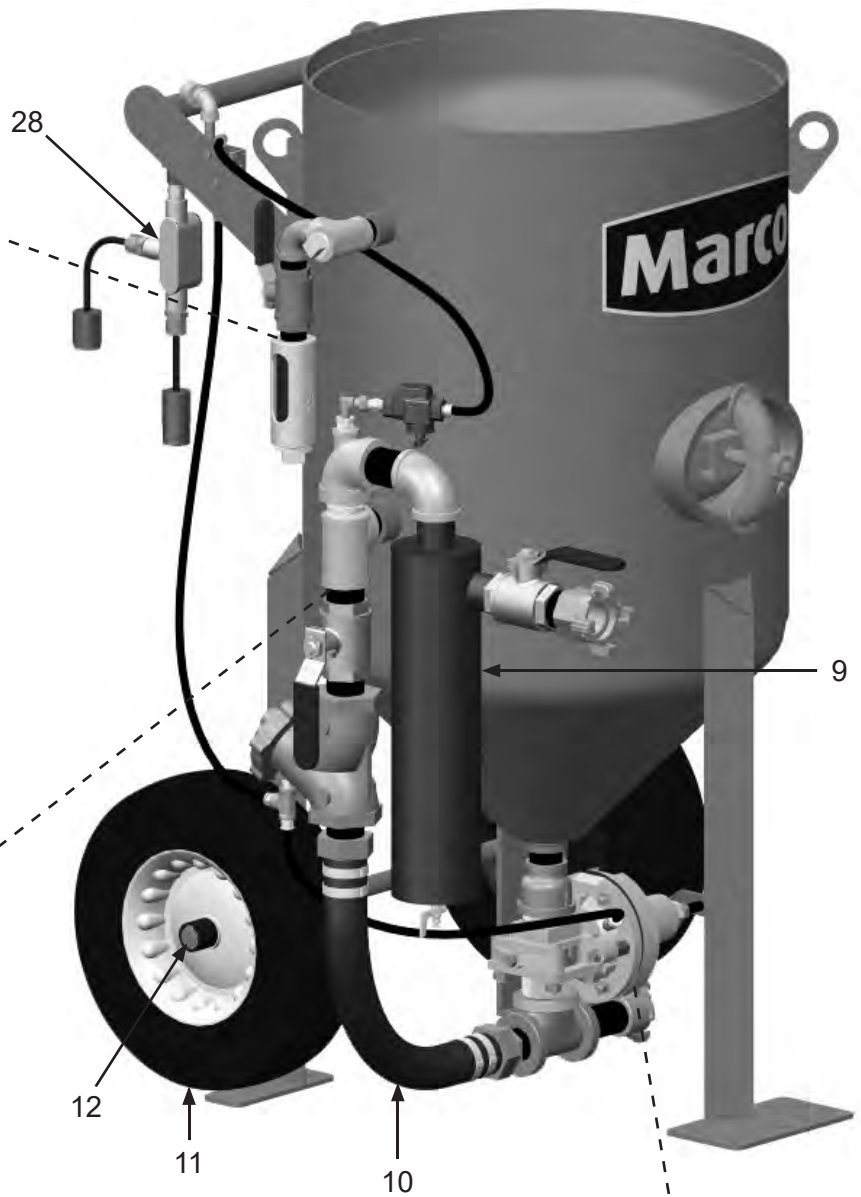
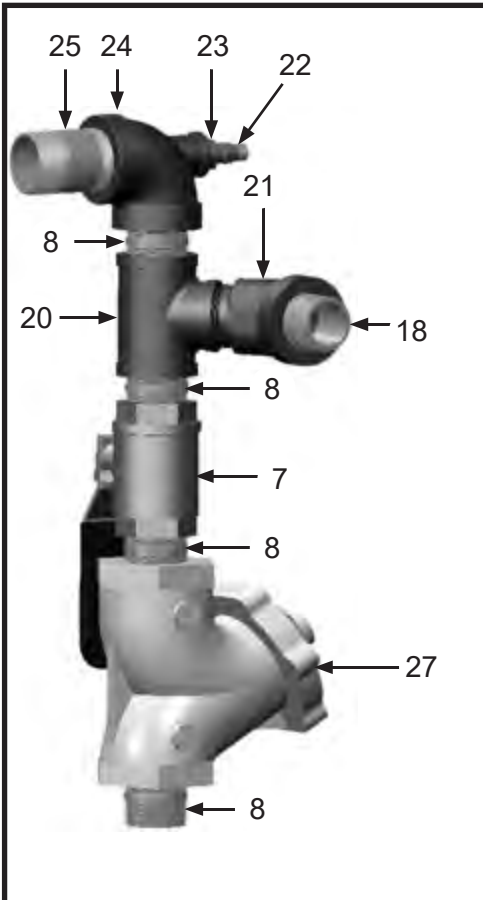
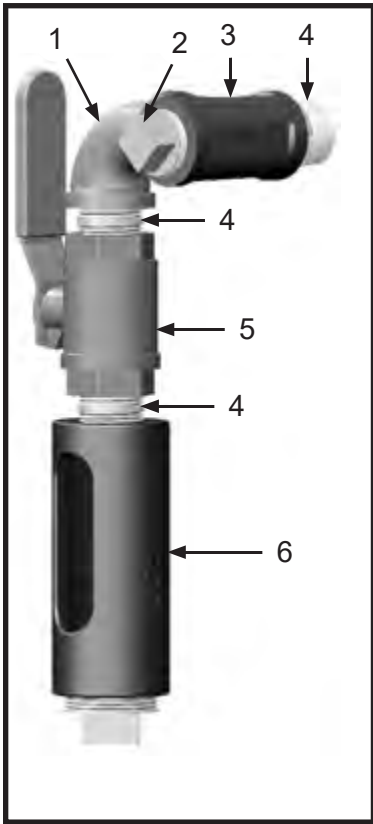
PART NUMBERS & SCHEMATICS GUIDE

6.5 Cu. Ft. E-Series Abrasive Blasting Pot – Blastmaster® 130E Remote Control System – Automatic Easy-Flow Metering Valve

Item#	Part#	Description
Fig. 4		
1	1011801	1" Street Elbow
2	1011901	1" Square Head Plug
3	1011816	1" Pipe Tee – Galvanized
4	1012151	1" Close Nipple (<i>Three Required</i>)
5	1011601	1" Full Port Ball Valve
6	1011100	Muffler Assembly Complete
7	1011603	1-1/2" Full Port Ball Valve (<i>Two Required</i>)
8	1014015	1-1/2" Close Nipple (<i>Four Required</i>)
9	—	Blastmaster® 1-1/2" Moisture Separator (<i>See Fig. 9</i>)
10	—	1-1/2" Pusher Line Assembly (<i>See Fig. 7</i>)
11	1006064	16 x 4 x 1 Rubber Wheel
12	1006205	1" Wheel Clip
13	1011501	1-1/2" (M) x 1-1/4" (F) Bushing
14	10105393	2" x 1-1/2" Bell Reducer
15	10SB1	1-1/4" Brass Tank Coupling
16	1011207	1-1/4" x 4" Pipe Nipple
17	1070390	Tee – 1-1/4" x 1-1/4" x 2"
18	1011201	1-1/4" Close Nipple (<i>Two Required</i>)
19	10105102	Automatic Easy-Flow Metering Valve
20	1011836	1-1/2" x 1-1/2" x 1-1/4" Pipe Tee
21	1011805	1-1/2" x 45° Street Elbow
22	1017019	Hex Nipple 1/4" x 1/4"
23	1011818	1/2" x 1/4" Galvanized Bushing
24	1011828	1-1/2" 90° Elbow
25	1011203	1-1/2" x 3" Nipple
26	20PHA24SJ04	1/4" Female Coupling
27	1013200	1-1/2" Gatekeeper Valve
28	1019051	12-Volt DC 190 Electric Control Assembly
—	1091020	Warning Plate
—	1091025	Warning Tag
—	1091045	Warning Tag
—	105M063	Features and Specifications Guide – Blastmaster® 151E Remote Control Switch
—	105M128	Features and Specifications Guide – Blastmaster® 6.5 Cu. Ft. E-Series Abrasive Blasting Pot
—	106M063	Part Numbers and Schematics Guide – Blastmaster® 151E Remote Control Switch
—	106M128	Part Numbers and Schematics Guide – Blastmaster® 6.5 Cu. Ft. E-Series Abrasive Blasting Pot
—	1090063	Operator's Manual – Blastmaster® 151E Remote Control Switch
—	1090128	Operator's Manual – Blastmaster® 6.5 Cu. Ft. E-Series Abrasive Blasting Pot

PART NUMBERS & SCHEMATICS GUIDE

Figure 4: 6.5 Cu. Ft. E-Series Abrasive Blasting Pot – Blastmaster® 130E Remote Control System – Automatic Easy-Flow Metering Valve



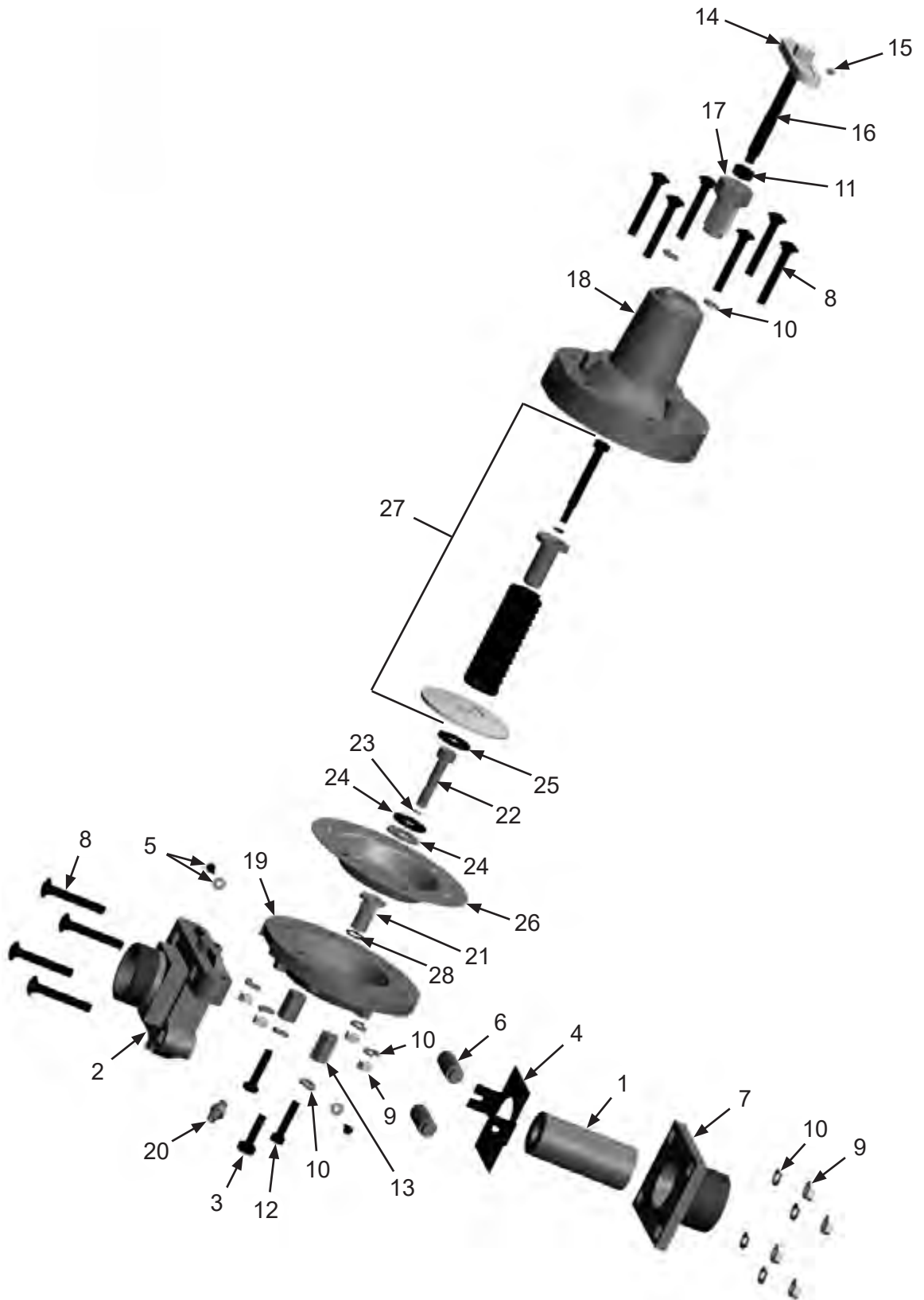
PART NUMBERS & SCHEMATICS GUIDE

Automatic Easy-Flow Metering Valve

Item #	Part#	Description
Fig. 5		
—	10105102	Automatic Easy-Flow Metering Valve
1	10105104	Metering Tube – 3/4" I.D.
2	10105109	2" NPT Valve Body
3	10105110	7/16" x 1-1/4" Bolt
4	10105111	Roller Stop/Holder
5	10105112	M4 x 15mm Screw and Washer (<i>Two Required</i>)
6	10105113	Pinch Roller (<i>Two Required</i>)
7	10105114	2" NPT Flange
8	10105115	3/8-16 x 2-1/2" Carriage Bolt (<i>10 Required</i>)
9	10101938	3/8" UNC Hex Nut (<i>10 Required</i>)
10	10101936	3/8" I.D. Lock Washer (<i>14 Required</i>)
11	10105118	1/2-13 UNC Jam Nut
12	10101059	3/8-16 UNC Hex Bolt (<i>Two Required</i>)
13	10105120	3/8-16 UNC Extension Nut (<i>Two Required</i>)
14	10105121	1/2-13 Handle Only
15	10105122	Grub Screw M6 (Set Screw 1/2"-13 x 1/2")
16	10105123	Handle Shaft
17	10105124	Spring Tensioner
18	10105125	Spring Enclosure
19	10105126	Diaphragm Cover
20	10105127	Adapter 1/4" NPT x 1/4" Ball End Hose
21	10105128	Plunger Guide
22	10105129	Plunger
23	10105130	O-Ring
24	10105131	Washer – 1/2" I.D. (<i>Two Required</i>)
25	10105132	Diaphragm Gasket
26	10105133	Diaphragm
27	10105105	Spring Assembly
28	10105135	O-Ring for Plunger Guide
—	10105196	2" x 1-1/4" Galvanized Bell Reducer
—	1070390	1-1/4" x 1-1/4" x 2" Pipe Tee
—	106M541	Part Numbers and Schematics Guide – Automatic Easy-Flow Metering Valve

PART NUMBERS & SCHEMATICS GUIDE

Figure 5: Automatic Easy-Flow Metering Valve



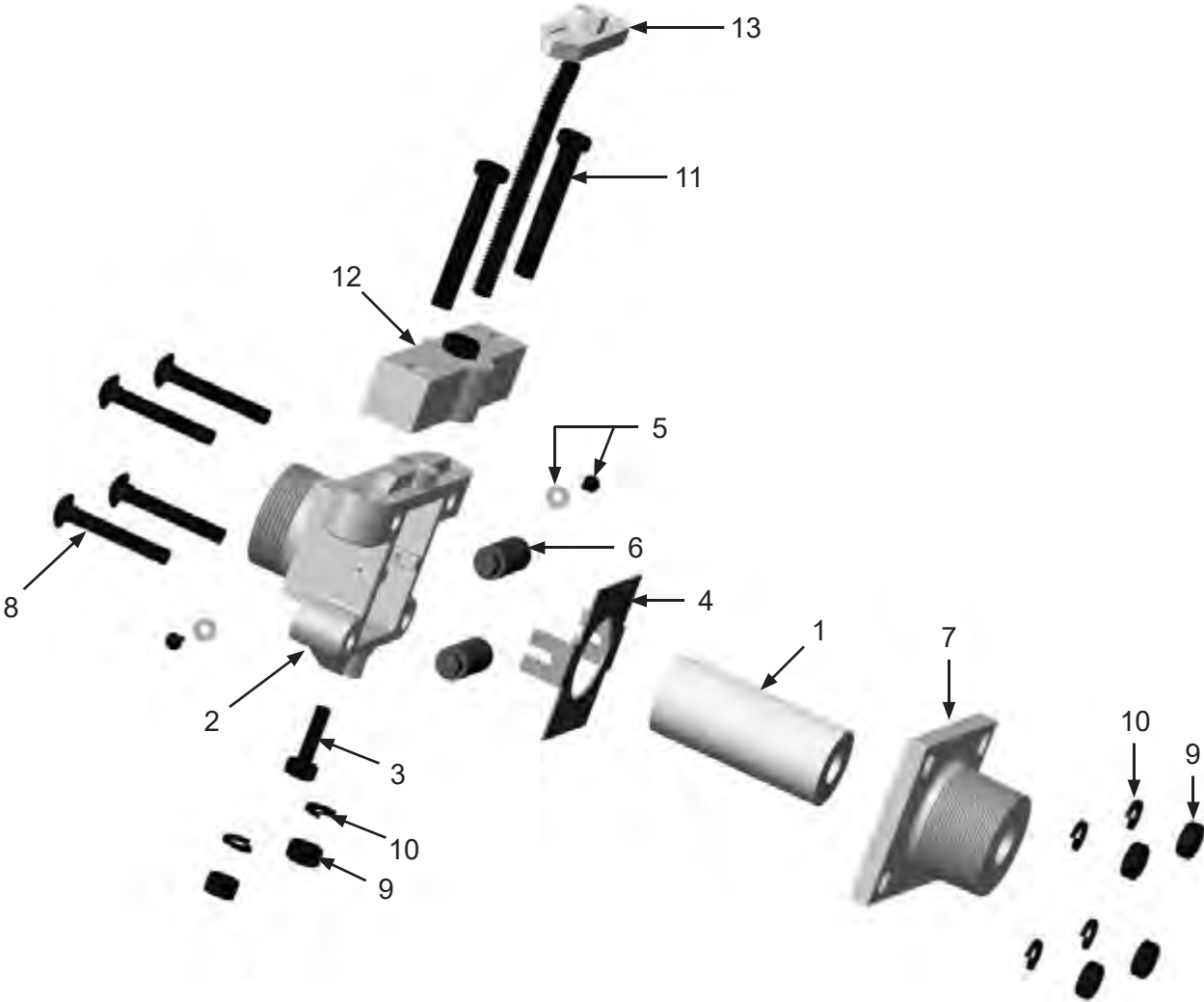
PART NUMBERS & SCHEMATICS GUIDE

Manual Easy-Flow Metering Valve

Item #	Part #	Description
Fig. 6		
1	10105104	Metering Tube – 3/4" I.D.
2	10105109	Valve Body – 2" NPT
3	10105110	7/16" x 1-1/4" Bolt
4	10105111	Roller Stop/ Holder
5	10105112	M4 x 15mm Screw and washer (<i>Two Required</i>)
6	10105113	Pinch Roller (<i>Two Required</i>)
7	10105114	Flange – 2" NPT
8	10105115	Carriage Bolt 3/8-16 x 2-1/2" (<i>four Required</i>)
9	10101938	Hex Nut – 3/8" UNC (<i>four Required</i>)
10	10101936	Lock Washer – 3/8" I.D. (<i>six Required</i>)
11	10101059	Hex Bolt – 3/8-16 UNC (<i>six Required</i>)
12	10105136	Adaptor Body-Manual Easy-Flow Metering Valve
13	10105137	Handle Assembly
—	10105118	Jam Nut – 1/2-13 UNC
—	1070390	1-1/4" x 1-1/4" x 2" Pipe Tee
—	10105196	2" x 1-1/4" Galvanized Bell Reducer
—	106M542	Part Numbers and Schematics Guide – Manual Easy-Flow Metering Valve

PART NUMBERS & SCHEMATICS GUIDE

Figure 6: Manual Easy-Flow Metering Valve



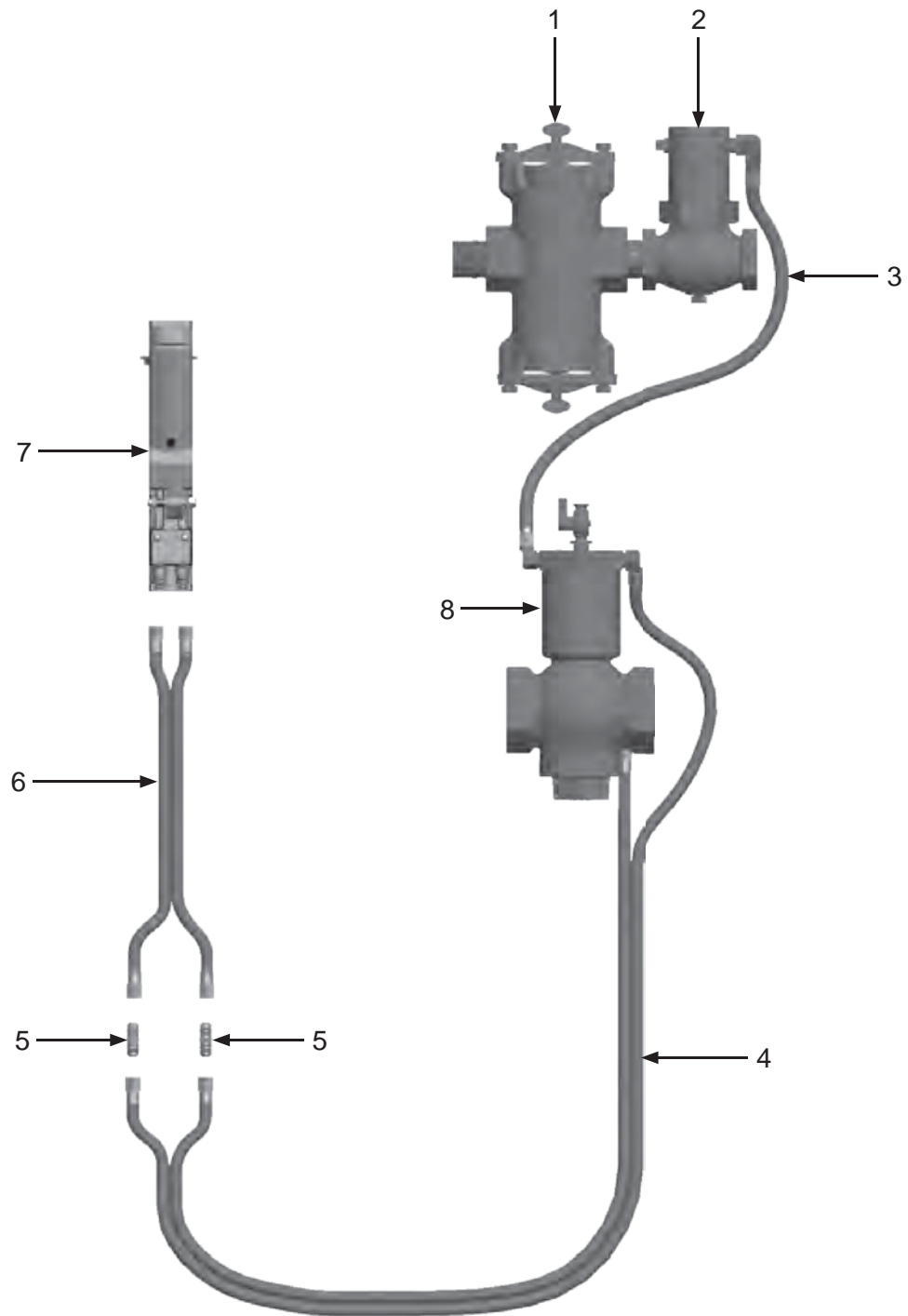
PART NUMBERS AND SCHEMATICS

Blastmaster® 125P Remote Control System

Item #	Part #	Description
Fig. 7		
—	1012500	Blastmaster® 125P Remote Control System – Complete
1	1012000	Abrasive Trap – Complete (<i>see Figure 10</i>)
2	1012050	1" Outlet Valve – Complete (<i>see Figure 9</i>)
3	10CL18	Coupled Pneumatic Control Line – 18 Inches
4	10TL5	Coupled Pneumatic Control Line – 5 Feet
5	1017001	3/16" Control Line Union (<i>Two Required</i>)
6	10TL50	Coupled Pneumatic Control Line – 50 Feet
	10TL100	Coupled Pneumatic Control Line – 100 Feet (<i>optional</i>)
7	1015000	Blastmaster® 150P Remote Control Switch – Complete
8	1012200	1-1/2" Inlet Valve – Complete (<i>see Figure 8</i>)
—	1011501	1-1/2" NPT (M) x 1-1/4" NPT (F) Bushing (<i>Not Shown</i>)

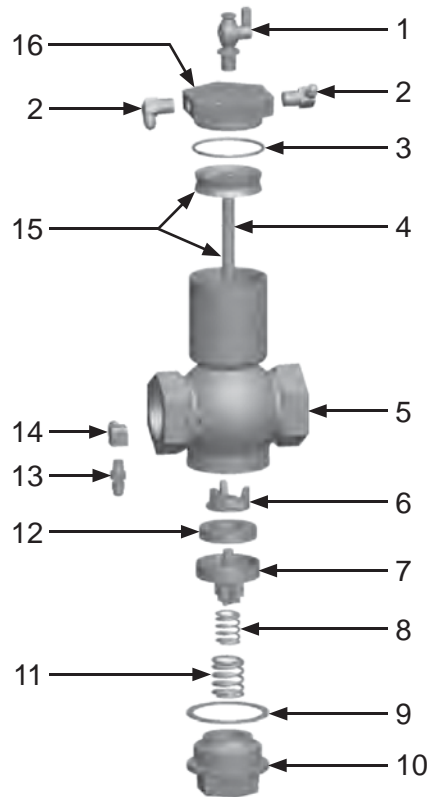
PART NUMBERS AND SCHEMATICS

Figure 7: Blastmaster® 125P Remote Control System



PART NUMBERS AND SCHEMATICS

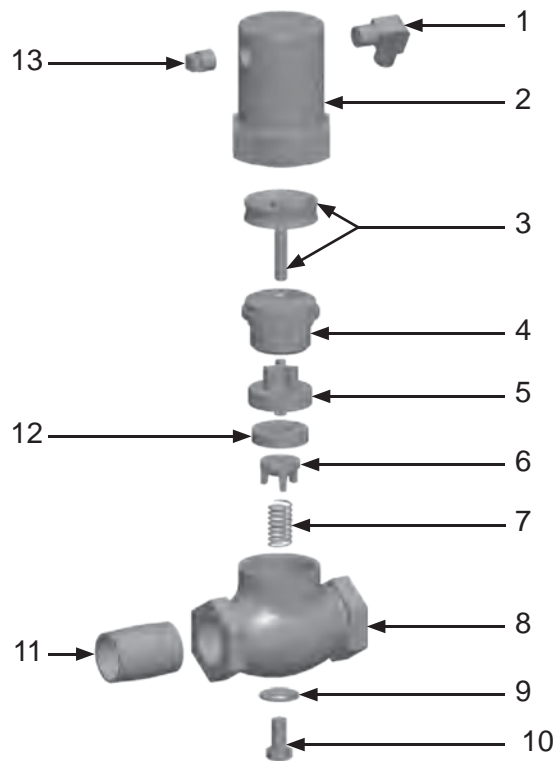
Figure 8: 1-1/2" Inlet Valve



Item #	Part #	Description
Fig. 8		
—	1012200	1-1/2" Inlet Valve – Complete
1	1012101	1/4" NPT Petcock
2	1012051	1/4" NPT Brass Elbow (<i>Two Required</i>)
3	1012213	1/8" x 2-1/2" O-ring
4	1012208	1/16" x 7/16" O-ring
5	1012204	1-1/2" Body
6	1012207	1-1/2" Plug Washer Retainer
7	1012205	1-1/2" Plug
8	1012105	5/8" x 1-11/16" Inner Spring
9	1012202	1-1/2" Bottom Cap Gasket
10	1012201	1-1/2" Bottom Cap
11	1012203	7/8" x 2-1/16" Outer Spring
12	1012206	1-1/2" Plug Washer
13	1012103	1/8" Adapter with 1/16" Restrictor Port
14	1012113	1/8" Street Elbow
15	1012209	Piston and Rod Assembly
16	1012214	1-1/2" Cylinder Cap
—	1012215	1-1/2" Inlet Valve Repair Kit (Includes Item #'s: 3,4,8,9,11, and 12 (Quantity of Two))

PART NUMBERS AND SCHEMATICS

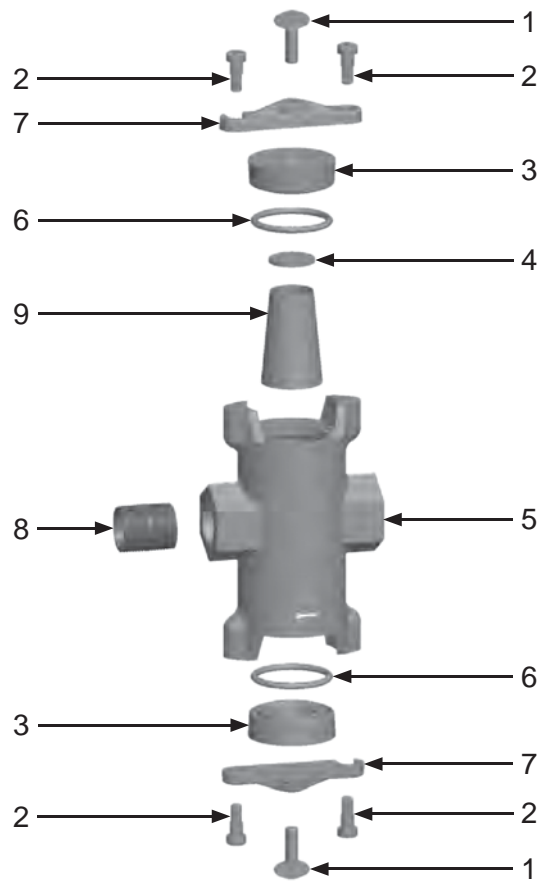
Figure 9: 1" Outlet Valve



Item #	Part #	Description
Fig. 9		
—	1012050	1" Outlet Valve – Complete
1	1012051	1/4" x 1/4" Brass Elbow
2	1012053	Bonnet
3	1012054	Piston and Rod Assembly
4	1012058	Plug and Spindle Guide
5	1012059	Plug
6	1012061	Plug Washer Retainer
7	1012063	7/16" x 1-5/8" Spring
8	1012062	Body
9	1012064	3/8" Nylon Washer
10	1012065	3/8" x 3/4" Bolt
11	1012151	1" NPT Close Nipple
12	1012060	Plug Washer
13	1012052	1/4" NPT Pipe Plug
—	1012066	1" Outlet Valve Repair Kit (Includes Item #'s: 5,6,7,9,10, and 12 (Quantity of Two))

PART NUMBERS AND SCHEMATICS

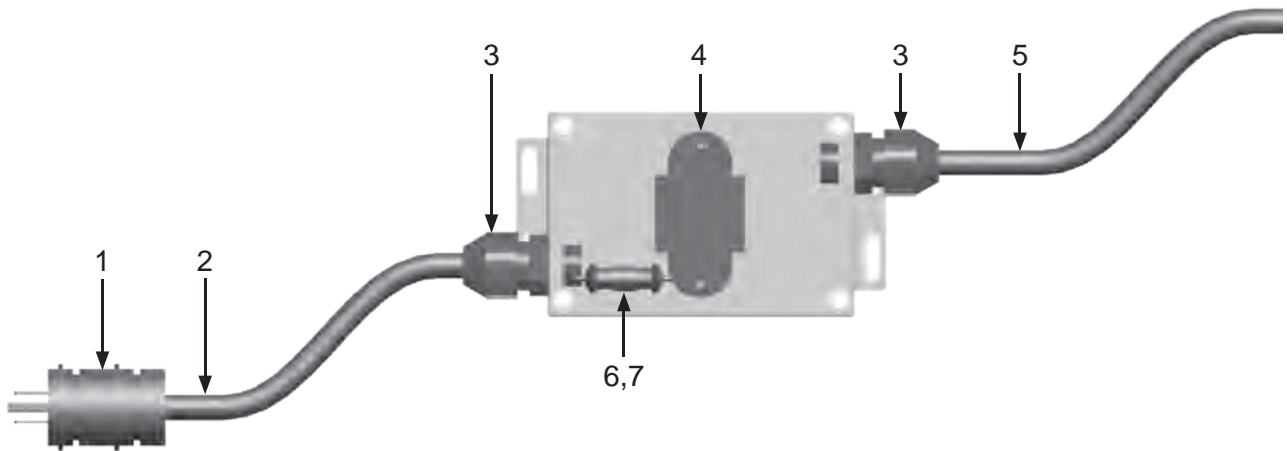
Figure 10: Abrasive Trap



Item #	Part #	Description
Fig. 10		
—	1012000	Abrasive Trap – Complete
1	1012006	Thumb Screw (<i>Two Required</i>)
2	1012007	3/8" x 3/8" Shoulder Bolt (<i>Four Required</i>)
3	1012003	Abrasive Trap Cap (<i>Two Required</i>)
4	1012008	Abrasive Trap Screen Gasket
5	1012004	Abrasive Trap Body
6	1012002	Abrasive Trap O-ring (<i>Two Required</i>)
7	1012005	Cap Lock Bar (<i>Two Required</i>)
8	1012151	1" NPT Close Nipple
9	1012001	Abrasive Trap Screen
—	1012009	Abrasive Trap Repair Kit (Includes Item #'s: 4, 6 (<i>Quantity of Two</i>), and 9 (<i>Quantity of Three</i>))

PART NUMBERS AND SCHEMATICS

Figure 11: 120-Volt AC to 12-Volt AC Power Converter



Item #	Part #	Description
Fig. 11		
—	1030020	Marco 120-Volt AC to 12-Volt AC Power Converter – Complete
1	1030026	3-prong, 120-Volt AC Plug – Male
2	1015550	14/3 SEOW Power Cord (<i>Per Foot</i>)
3	1030025	Strain Relief (<i>Two Required</i>)
4	1030022	Transformer – Marco 120-Volt AC to 12-Volt AC Power Converter
5	1030013	14/2 SEOW Power Cord (<i>Per Foot</i>)
6	1030024	2 Amp Fuse
7	1030023	In-Line Fuse Holder
—	1030021	Resistor (<i>Not Shown</i>)
—	1091063	Marco 120-Volt AC to 12-Volt AC Power Converter Hazard Identification Label
—	1091067	Power-Out Decal (<i>Not Shown</i>)
—	1092014	Power-In Decal (<i>Not Shown</i>)

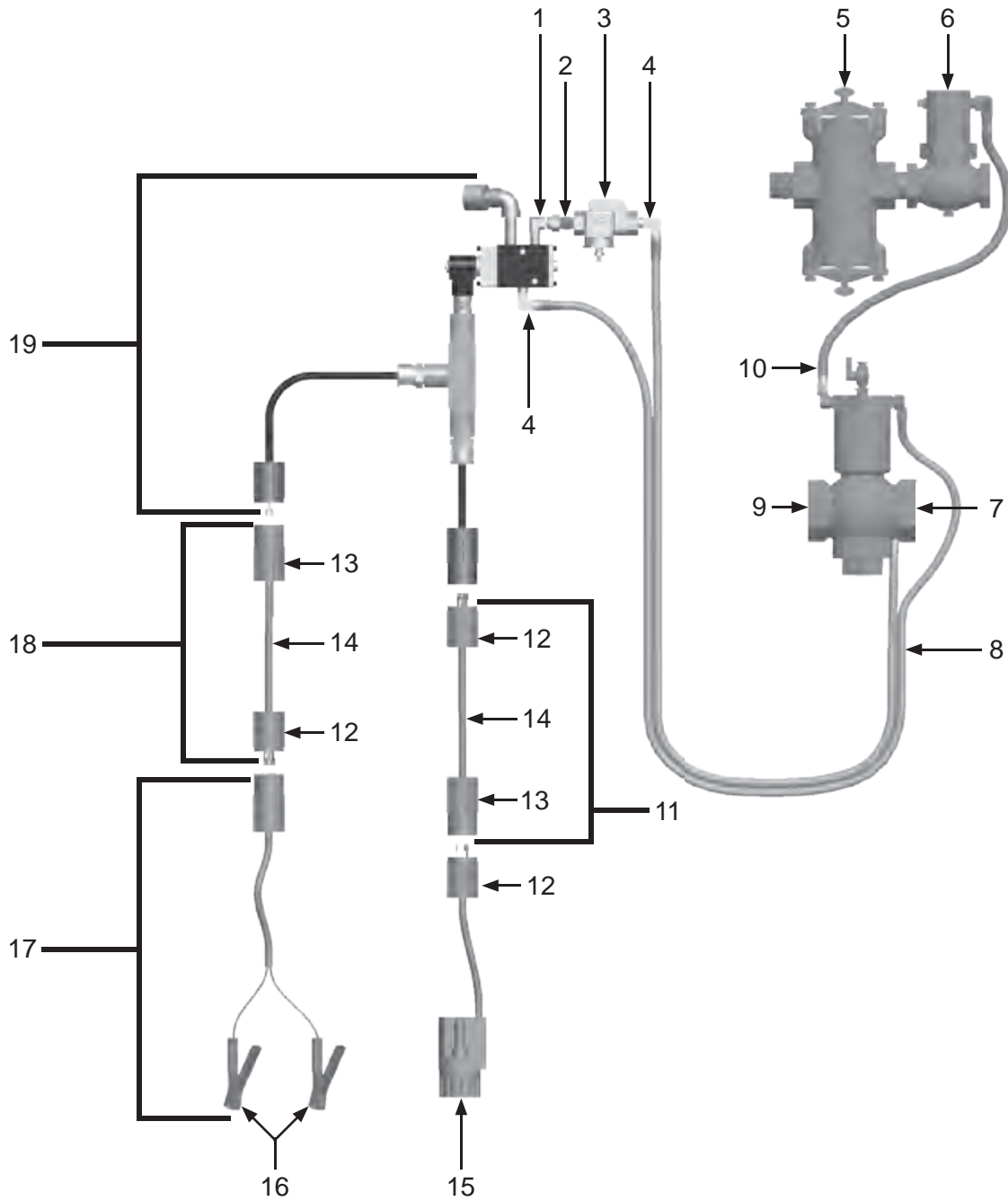
PART NUMBERS AND SCHEMATICS

12-Volt DC Blastmaster® 125E Remote Control System

Item #	Part #	Description
Fig. 12		
—	1012551	12-Volt DC Blastmaster® 125E Remote Control System – Complete
1	1012326	1/4" NPT 90° Swivel Fitting
2	1017019	1/4" X 1/4" Hex Nipple
3	10WS	Watts Strainer
4	1012051	1/4" NPT Brass Elbow <i>(Two Required)</i>
5	1012000	Abrasive Trap – Complete <i>(see Figure 10)</i>
6	1012050	1" Outlet Valve – Complete <i>(see Figure 9)</i>
7	1011501	1-1/2" NPT (M) x 1-1/4" NPT (F) Bushing
8	10TL5	Coupled Pneumatic Twinline Hose – 5 Feet
9	1012200	1-1/2" Inlet Valve – Complete <i>(see Figure 8)</i>
10	10CL18	Coupled Pneumatic Control Line – 18 inches
11	1015542	50 Feet of Electric Control Line with Male and Female Twist-Lock Plugs <i>(Includes Item #'s: 12, 13, and 14 (Quantity of 50 Feet))</i>
12	1015551	2-prong Twist-Lock Plug – Male
13	1015552	2-prong Twist-Lock Plug – Female
14	1015540	16/2 Power Cord – per foot
15	1015600	Blastmaster® 156E Remote Control Switch – Complete
16	1030718	Battery Clamps (pair)
17	1015541	Battery Clamp Kit <i>(Includes Item #'s: 13, 14 (Quantity of Two Feet), and 16)</i>
18	1015543	25 Feet of Electric Control Line with Male and Female Twist-Lock Plugs <i>(Includes Item #'s: 12, 13, and 14 (Quantity of 25 Feet))</i>
19	1019001	12-Volt DC 190 Electric Control Assembly <i>(See Figure 11)</i>

PART NUMBERS AND SCHEMATICS

Figure 12: 12-Volt DC Blastmaster® 125E Remote Control System



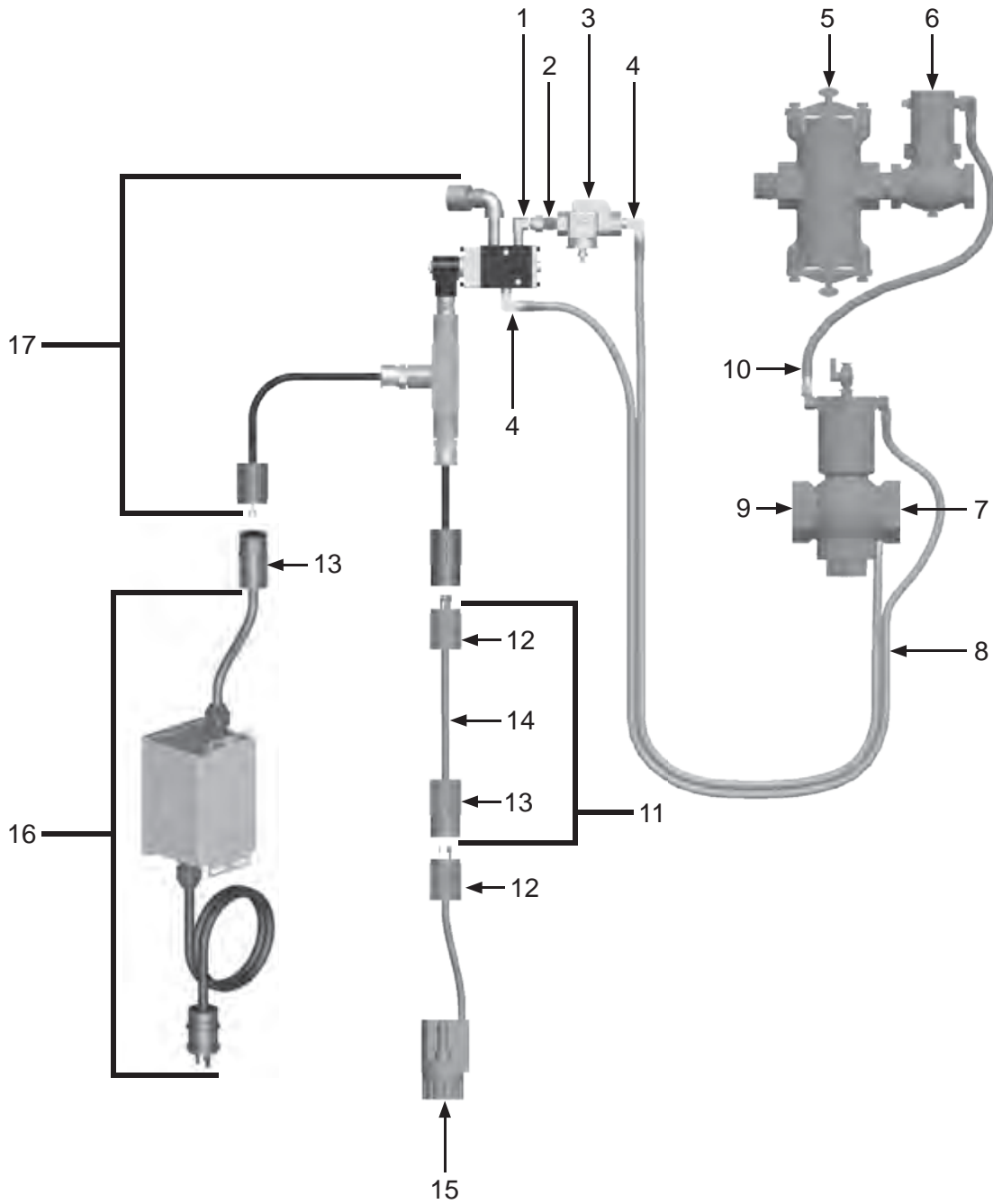
PART NUMBERS AND SCHEMATICS

120-Volt AC Blastmaster® 125E Remote Control System

Item #	Part #	Description
Fig. 13		
—	1012552	120-Volt AC Blastmaster® 125E Remote Control System – Complete
1	1012326	1/4" NPT 90° Swivel Fitting
2	1017019	1/4" X 1/4" Hex Nipple
3	10WS	Watts Strainer
4	1012051	1/4" NPT Brass Elbow <i>(Two Required)</i>
5	1012000	Abrasive Trap – Complete <i>(see Figure 10)</i>
6	1012050	1" Outlet Valve – Complete <i>(see Figure 9)</i>
7	1011501	1-1/2" NPT (M) x 1-1/4" NPT (F) Bushing
8	10TL5	Coupled Pneumatic Control Line – 5 Feet
9	1012200	1-1/2" Inlet Valve – Complete <i>(see Figure 8)</i>
10	10CL18	Coupled Pneumatic Control Line – 18 inches
11	1015542	50 Feet of Electric Control Line with Male and Female Twist-Lock Plugs <i>(Includes Item #'s: 12, 13, and 14 (Quantity of 50 Feet))</i>
12	1015551	2-prong Twist-Lock Plug – Male
13	1015552	2-prong Twist-Lock Plug – Female
14	1015540	16/2 Power Cord – per foot
15	1015600	Blastmaster® 156E Remote Control Switch – Complete
16	1030020	Marco 120-Volt AC to 12-Volt AC Power Converter <i>(see Figure 11)</i>
17	1019002	12-Volt AC 190 Electric Control Assembly <i>(see Figure 17)</i>

PART NUMBERS AND SCHEMATICS

Figure 13: 120-Volt AC Blastmaster® 125E Remote Control System



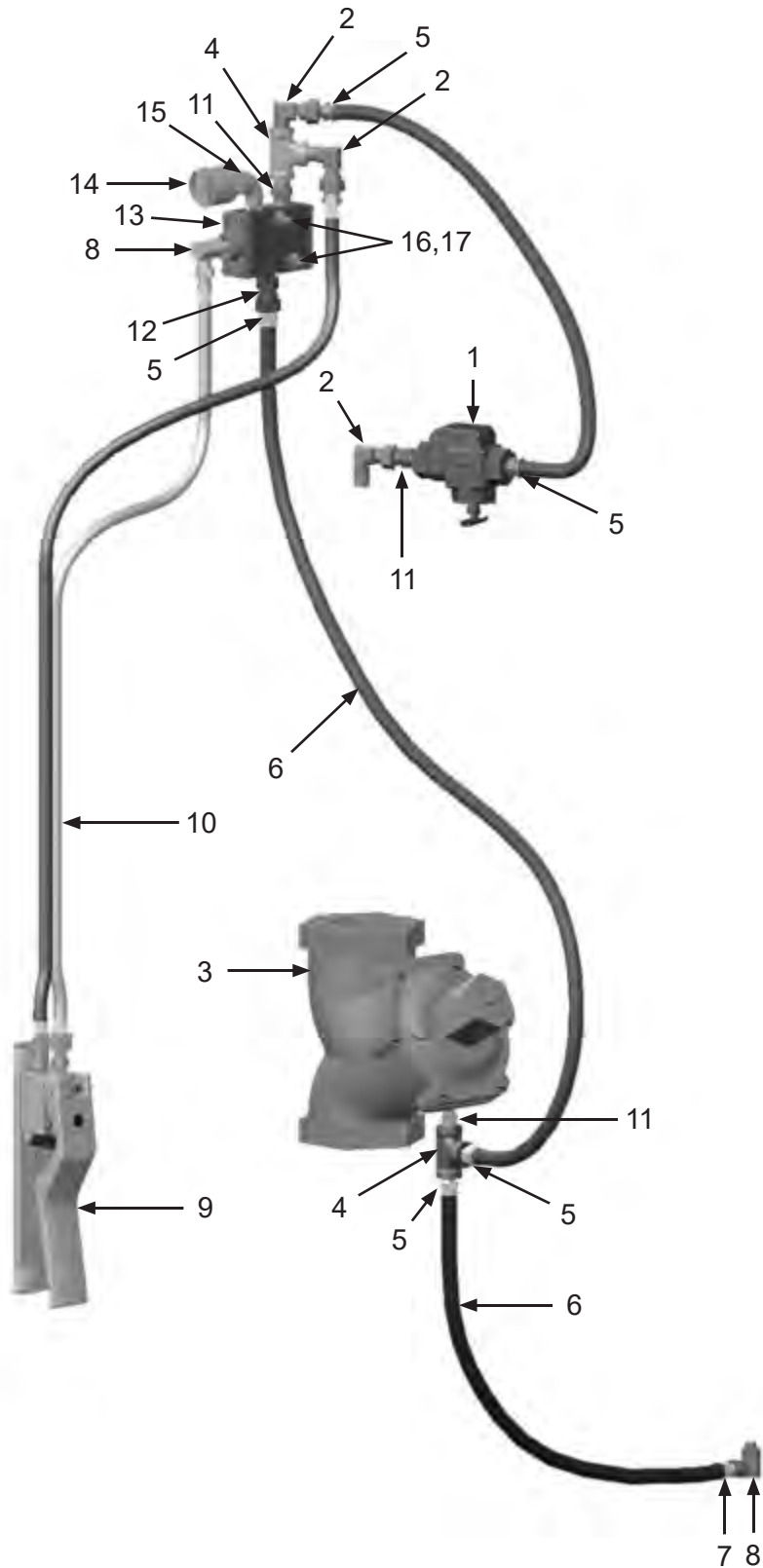
PART NUMBERS AND SCHEMATICS

Blastmaster® 130P Remote Control System

Item #	Part #	Description
Fig. 14		
—	10103834	Blastmaster® 130P Remote Control System — Complete
1	10WS	Watts Strainer
2	1012326	1/4" Swivel 90° Fitting (<i>Three Required</i>)
3	1013600	1-1/2" NPT High-flow GateKeeper Air Valve (<i>See Figure 3</i>)
4	1011844	1/4" NPT Pipe Tee (<i>Two Required</i>)
5	10PAF025	1/4" Push-On Hose Fitting (<i>Five Required</i>)
6	10AH025	1/4" Push-On Air Hose (<i>Per Foot</i>)
7	10PAF0125	1/8" Push-On Air Hose Fitting
8	1014239	1/8" 90° Swivel Fitting (<i>Two Required</i>)
9	1015200	Blastmaster® 152P Remote Control Switch
10	1016000	55 ft. of Pneumatic Control Line with 1/4" & 1/8" Male and Female Fittings
11	1017019	1/4" x 1/4" Hex Nipple (<i>Three Required</i>)
12	10SME025	1/4" Straight Swivel
13	1019000	190 Pneumatic Solenoid (<i>See Figure 5</i>)
14	10DE025	1/4" NPT Dust Eliminator
15	1011824	1/4" Street Elbow
16	1019044	1/4"-20 x 1-3/4" Zinc Bolt (<i>Two Required</i>)
17	1012323	1/4"-20 Zinc Lock Nut with Nylon (<i>Two Required</i>)
—	1091045	Hazard Identification Tag
—	105M068	Features, Advantages, & Benefits Guide — Blastmaster® 152P Remote Control Switch
—	106M068	Part Numbers & Schematics Guide — Blastmaster® 152P Remote Control Switch
—	1090068	Operator's Manual — Blastmaster® 152P Remote Control Switch

PART NUMBERS AND SCHEMATICS

Figure 14: Blastmaster® 130P Remote Control System



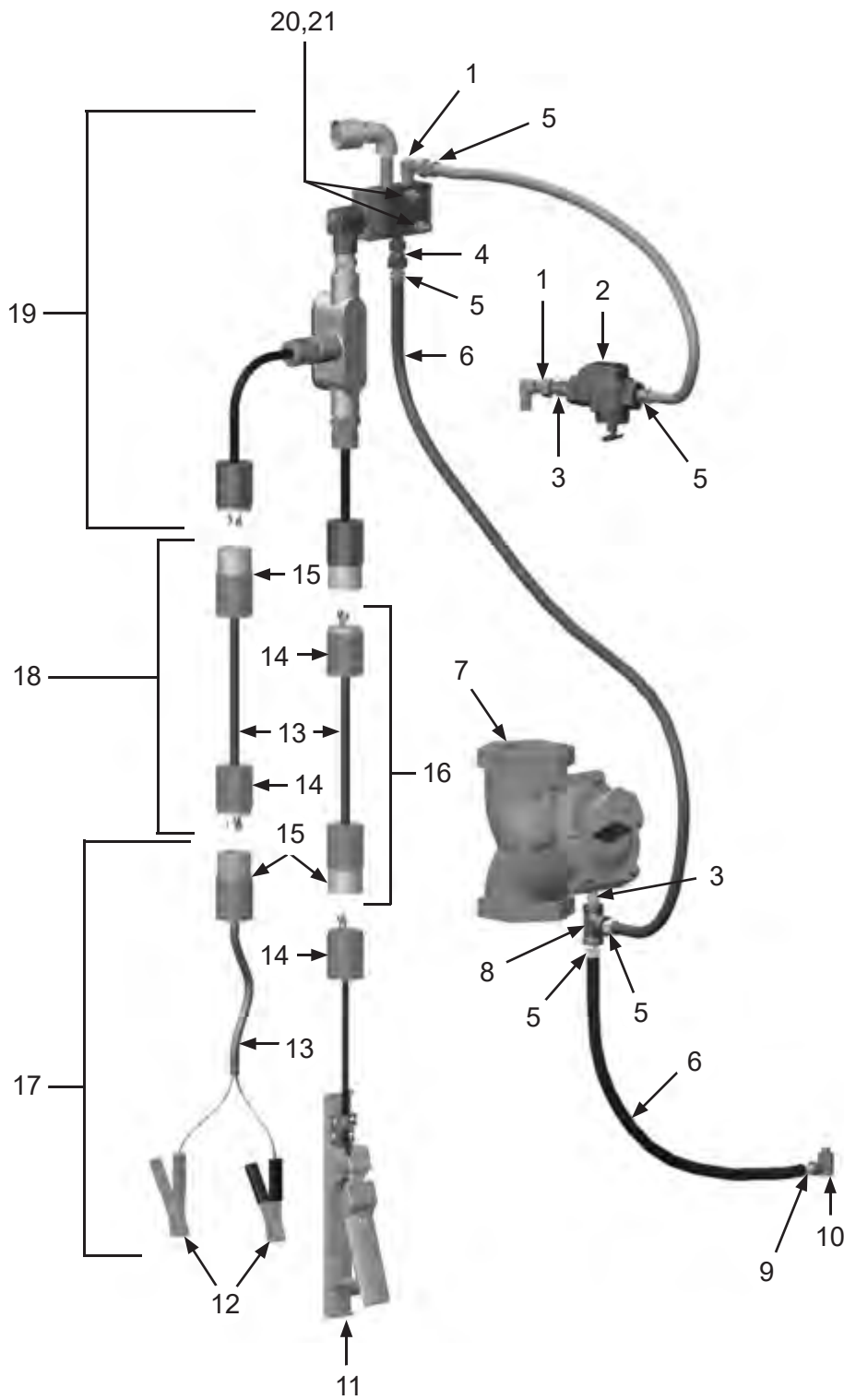
PART NUMBERS AND SCHEMATICS

12-Volt DC Blastmaster® 130E Remote Control System

Item #	Part #	Description
Fig. 15		
—	10103835	12-Volt DC Blastmaster® 130E Remote Control System – Complete
1	1012326	1/4" NPT Swivel 90° Fitting <i>(Two Required)</i>
2	10WS	Watts Strainer
3	1017019	1/4" NPT Hex Nipple <i>(Two Required)</i>
4	10SME025	1/4" Straight Swivel
5	10PAF025	1/4" NPT x 1/4" Barb Push-On Hose Fitting <i>(Five Required)</i>
6	10AH025	1/4" Push-On Air Hose <i>(Per Foot)</i>
7	1013600	1-1/2" NPT High-flow GateKeeper Air Valve <i>(See Figure 12)</i>
8	1011844	1/4" NPT Pipe Tee
9	10PAF0125	1/8" NPT x 1/4" Barb Push-On Air Hose Fitting
10	1014239	1/8" 90° Swivel Fitting
11	1015100	Blastmaster® 151E Remote Control Switch
12	1030718	Battery Clamps – pair
13	1015540	16/2 Power Cord <i>(Per Foot)</i>
14	1015555	3-prong Twist-Lock Plug – Male
15	1015556	3-prong Twist-Lock Plug – Female
16	1015545	50' of 16/2 Power Cord with 3-prong Twist-Lock Plugs <i>(Includes Item #'s: 15, 16, and 14 (Quantity of 50 Feet))</i>
17	1015544	Battery Clamp Kit with 3-prong Twist-Lock Plug Installed <i>(Includes Item #'s: 13, 16, and 14 (Quantity of Two Feet))</i>
18	1015546	16/2 SJ Power Cord with 3-prong Twist-Lock Plugs Installed <i>(Includes Item #'s: 15, 16, and 14 (Quantity of 25 Feet))</i>
19	1019051	12-Volt DC 190 Electric Control Assembly <i>(See Figure 3)</i>
20	1019044	1/4"-20 x 1-3/4" Zinc Bolt <i>(Two Required)</i>
21	1012323	1/4"-20 Zinc Lock Nut with Nylon <i>(Two Required)</i>
—	1091045	Hazard Identification Tag
—	105M063	Features and Specifications Guide – Blastmaster® 151E Remote Control Switch
—	106M063	Part Numbers and Schematics Guide – Blastmaster® 151E Remote Control Switches
—	1090063	Operator's Manual – Blastmaster® 151E Remote Control Switches

PART NUMBERS AND SCHEMATICS

Figure 15: 12-Volt DC Blastmaster® 130E Remote Control System



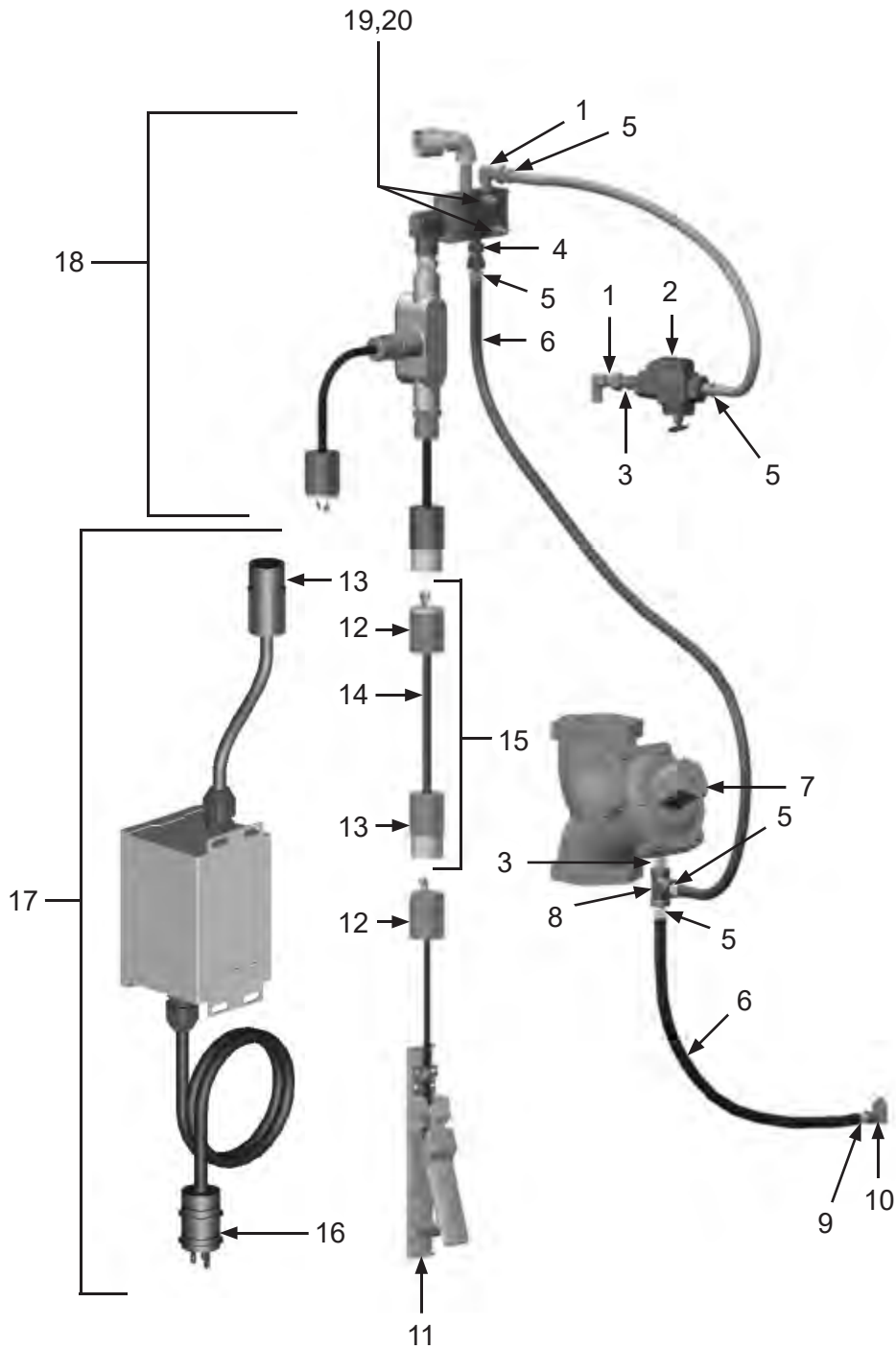
PART NUMBERS AND SCHEMATICS

120-Volt AC Blastmaster® 130E Remote Control System

Item #	Part #	Description
Fig. 16		
—	10103836	120-Volt AC Blastmaster® 130E Remote Control System – Complete
1	1012326	1/4" NPT Swivel 90° Fitting (<i>Two Required</i>)
2	10WS	Watts Strainer
3	1017019	1/4" NPT Hex Nipple (<i>Two Required</i>)
4	10SME025	1/4" Straight Swivel
5	10PAF025	1/4" NPT x 1/4" Barb Push-On Hose Fitting (<i>Five Required</i>)
6	10AH025	1/4" Push-On Air Hose (<i>Per Foot</i>)
7	1013600	1-1/2" NPT High-flow GateKeeper Air Valve (<i>See Figure 12</i>)
8	1011844	1/4" NPT Pipe Tee
9	10PAF0125	1/8" NPT x 1/4" Barb Push-On Air Hose Fitting
10	1014239	1/8" 90° Swivel Fitting
11	1015100	Blastmaster® 151E Remote Control Switch
12	1015555	3-Prong Twist-Lock Plug – Male (<i>Two Required</i>)
13	1015556	3-Prong Twist-Lock Plug – Female
14	1015540	16/2 Power Cord (<i>Per Foot</i>)
15	1015545	50' of 16/2 Power Cord with 3-prong Twist-Lock Plugs Installed (<i>Includes Item #'s: 13, 14, and 15 (Quantity of 50 Feet)</i>)
16	1030026	120-Volt 3-prong Standard Male Plug
17	10100713	3 Amp 120-Volt AC to 12-Volt AC Power Converter (<i>Includes Item #'s: 14 and 17</i>)
18	1019052	12-Volt DC 190 Electric Control Assembly (<i>See Figure 3</i>)
19	1019044	1/4"-20 x 1-3/4" Zinc Bolt (<i>Two Required</i>)
20	1012323	1/4"-20 Zinc Lock Nut with Nylon (<i>Two Required</i>)
—	1091045	Hazard Identification Tag
—	105M063	Features and Specifications Guide – Blastmaster® 151E Remote Control Switch
—	106M063	Part Numbers and Schematics Guide – Blastmaster® 151E Remote Control Switches
—	1090063	Operator's Manual – Blastmaster® 151E Remote Control Switches

PART NUMBERS AND SCHEMATICS

Figure 16: 120-Volt AC Blastmaster® 130E Remote Control System



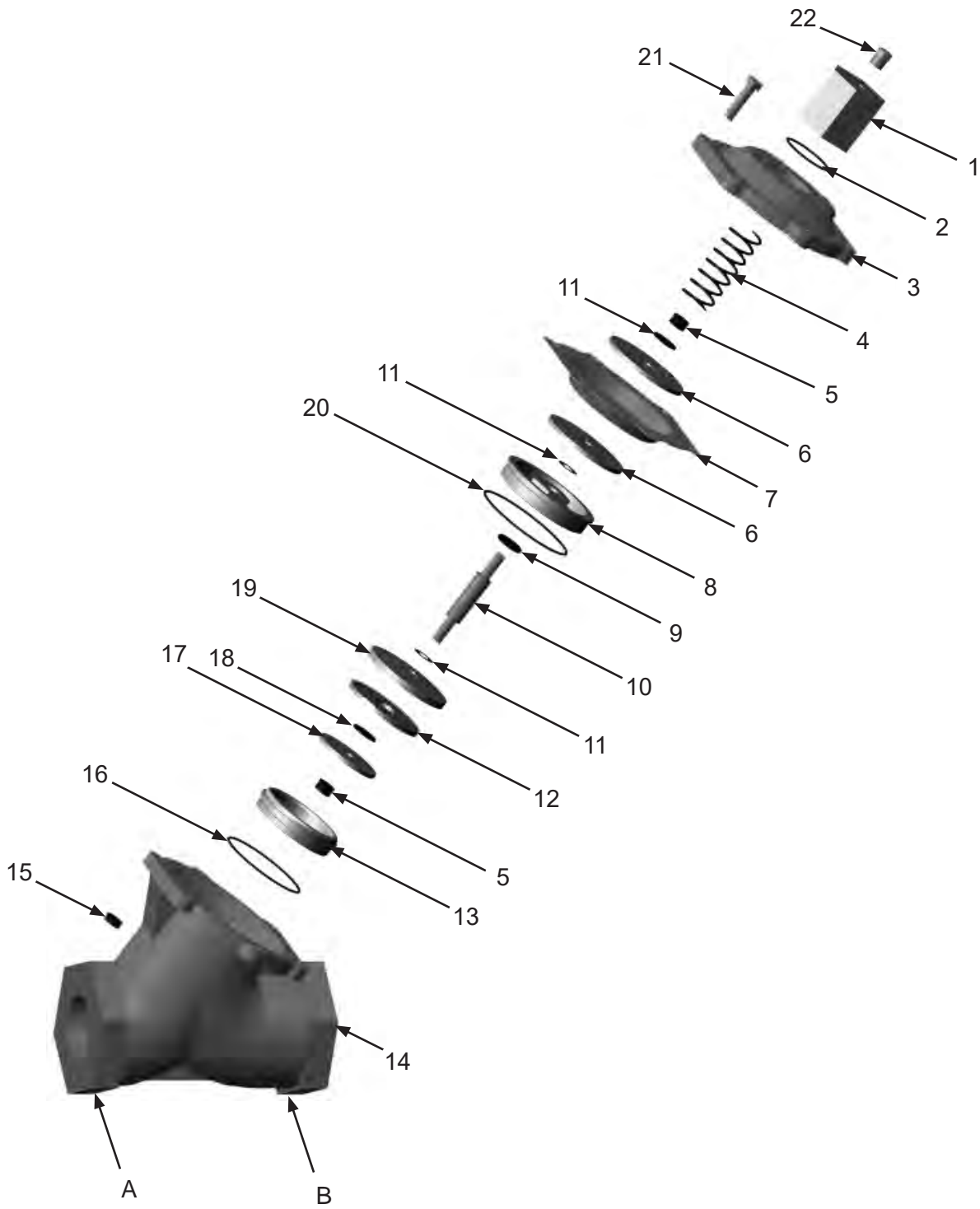
PART NUMBERS AND SCHEMATICS

1-1/2" NPT High-flow GateKeeper Air Valve

Item #	Part #	Description
Fig. 17		
—	1013600	1-1/2" NPT High-flow GateKeeper Air Valve
1	1013322	Spring Retainer
2	1013326	O-ring
3	1013312	Cap
4	1013323	Spring
5	1013313	Lock Nut
6	1013315	Diaphragm Plate <i>(two required)</i>
7	1013303	Diaphragm
8	1013305	Retainer Bushing
9	1013306	O-ring
10	1013318	Shaft
11	1013302	Gasket <i>(two required)</i>
12	1013320	Disc
13	1013311	Lock Nut
13	1013309	Seat
14	1013328	Body
15	1013316	Nut <i>(six required)</i>
16	1013308	Seat O-Ring
17	1013310	Disc Plate
18	1013327	Brass Washer
19	1013307	Disc Retainer
20	1013304	O-ring
21	1013314	Cap Screw <i>(six required)</i>
22	1012905	1/8" Breather Muffler
A	1091050	Sticker - Air Outlet
B	1091051	Sticker - Air Inlet
—	1013301	1-1/2" NPT High-flow GateKeeper Air Valve Service Kit <i>(Includes Item #'s: 5, 7, 9, 11, 12, 17, and 20)</i>

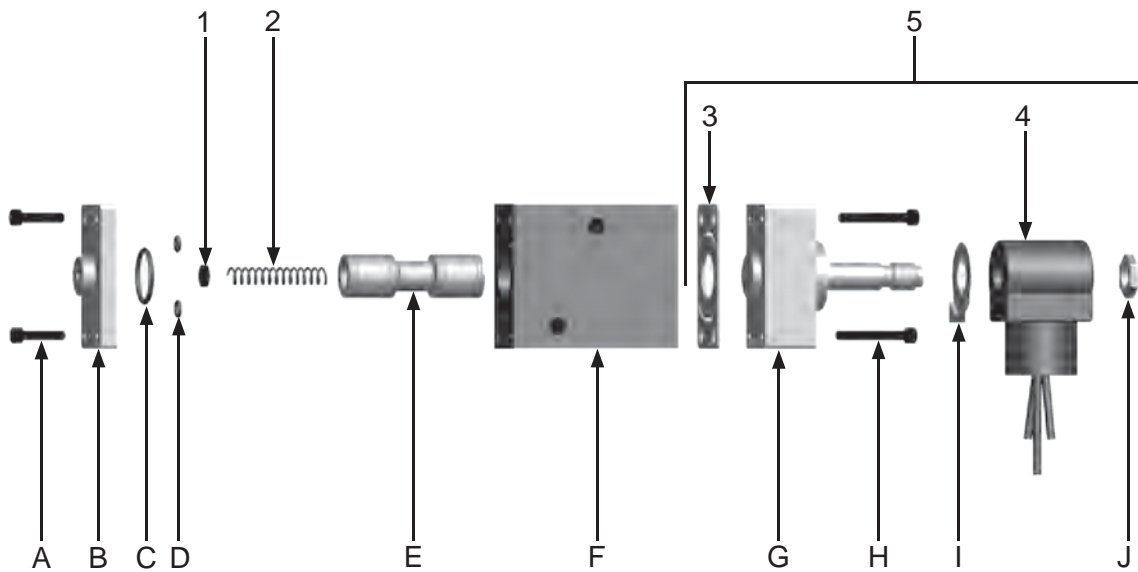
PART NUMBERS AND SCHEMATICS

Figure 17: 1-1/2" NPT High-flow GateKeeper Air Valve



PART NUMBERS AND SCHEMATICS

Figure 18: 12-Volt DC 190 Electric Solenoid



Item #	Part #	Description
--------	--------	-------------

Fig. 18

—	1019010	12-Volt DC 190 Electric Solenoid – Complete
---	----------------	--

1	1019029	Felt Filter
---	---------	-------------

2	1019032	Spring
---	---------	--------

3	1019033	Gasket
---	---------	--------

4	1019039	12-Volt DC Coil
---	---------	-----------------

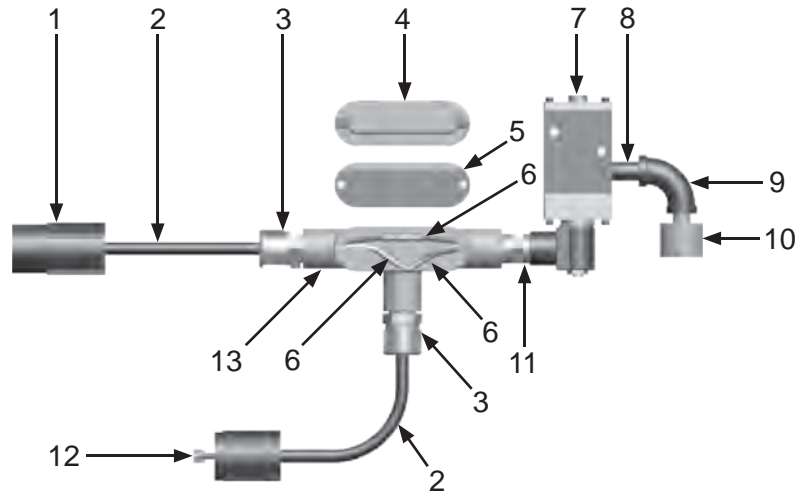
5	1019034	12-Volt DC Operator Assembly (Includes Items: #3, #4, G, H, I, and J)
---	---------	--

—	1019030	Electric Solenoid Repair Kit (Includes Items: #1, #2, #3, C, D, and E)
---	---------	---

* Items A–J are not available individually

PART NUMBERS AND SCHEMATICS

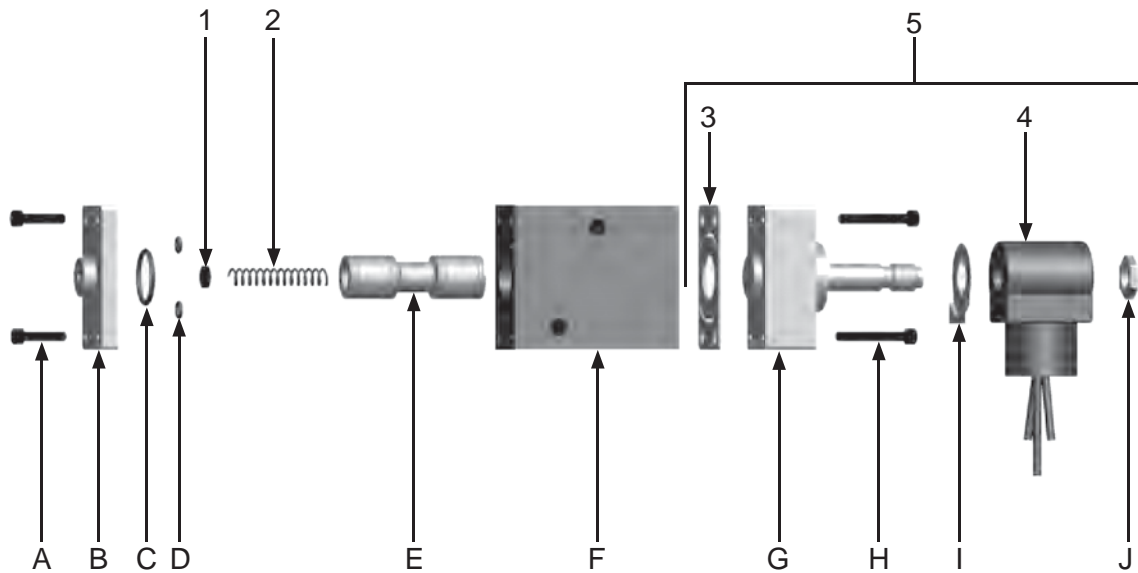
Figure 19: 12-Volt DC 190 Electric Control Assembly



Item #	Part #	Description
Fig. 19		
—	1019001	12-Volt DC 190 Electric Control Assembly – Complete
1	1015552	2-prong Twist-Lock Plug – Female
2		16/2 Electric Cord – per foot
3	1019021	Cord Grip (<i>Two Required</i>)
4	1019022	Conduit Box Cover
5	1019023	Conduit Box Cover Gasket
6	1030028	Butt Splicer
7	1019010	12-Volt DC Electric Solenoid – Complete (<i>see Figure 14</i>)
8	1011217	1/4" x 2" Pipe Nipple
9	1011832	1/4" NPT 90° Pipe Nipple
10	10DE025	Dust Eliminator
11	20100677	1/2" x 1/2" NPT Hex Nipple
12	1015551	2-prong Twist-Lock Plug – Male
13	1090020	1/2" Tee Conduit Box

PART NUMBERS AND SCHEMATICS

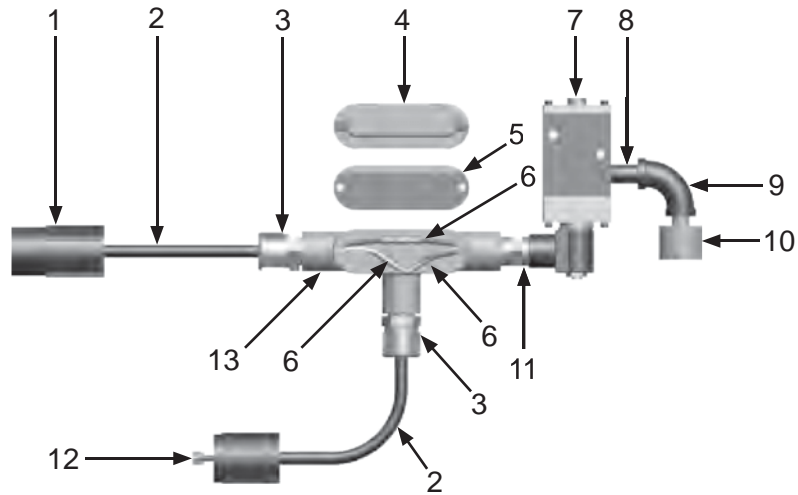
Figure 20: 12-Volt AC 190 Electric Solenoid



Item #	Part #	Description
Fig. 20		
—	1019011	12-Volt AC 190 Electric Solenoid – Complete
1	1019029	Felt Filter
2	1019032	Spring
3	1019033	Gasket
4	1019040	12-Volt AC Coil
5	1019035	12-Volt AC Electric Operator Assembly (Includes Items: #3, #4, G, H, I, and J)
—	1019030	12-Volt AC Electric Solenoid Repair Kit (Includes Items: #1, #2, #3, C, D, and E)
* Items A–J are not available individually		

PART NUMBERS AND SCHEMATICS

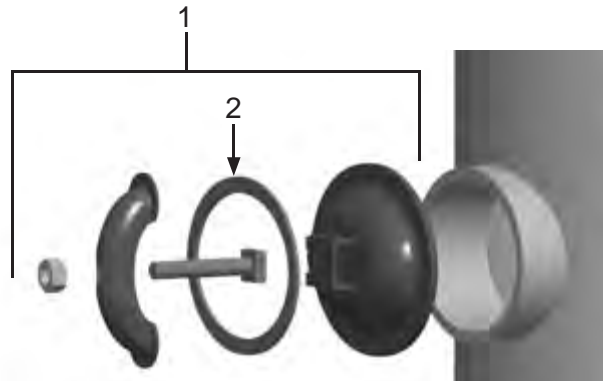
Figure 21: 12-Volt AC 190 Electric Control Assembly



Item #	Part #	Description
Fig. 21		
—	1019002	12-Volt AC 190 Electric Control Assembly – Complete
1	1015552	2-prong Twist-Lock Plug – Female
2	1015540	16/2 Power Cord – per foot
3	1019021	Cord Grip (<i>Two Required</i>)
4	1019022	Conduit Box Cover
5	1019023	Conduit Box Cover Gasket
6	1030028	Butt Splicer
7	1019011	12-Volt AC Electric Solenoid – Complete (<i>see Figure 17</i>)
8	1011217	1/4" x 2" Pipe Nipple
9	1011832	1/4" NPT 90° Pipe Nipple
10	10DE025	Dust Eliminator
11	20100677	1/2" x 1/2" NPT Hex Nipple
12	1015551	2-prong Twist-Lock Plug – Male
13	1090020	1/2" Tee Conduit Box

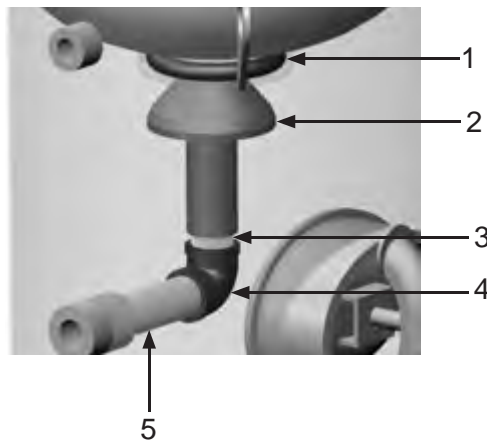
PART NUMBERS & SCHEMATICS GUIDE

Figure 21: Inspection Door Assembly



Item #	Part #	Description
Fig. 21		
1	1006200	6" x 8" Inspection Door Assembly
2	1006201	Gasket

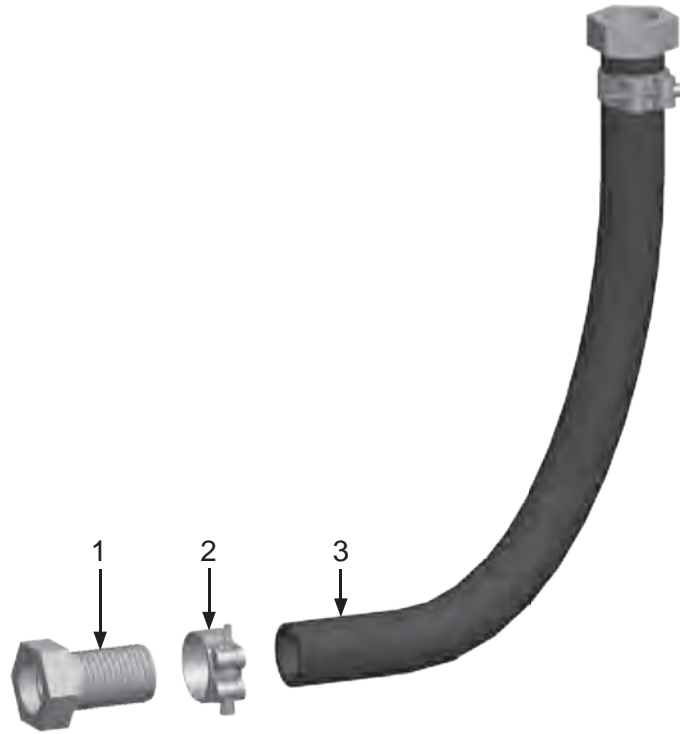
Figure 22: Pop-Up Valve Assembly



Item #	Part #	Description
Fig. 22		
1	1006050	Pop-Up Valve Seat
2	1006020	Pop-Up Valve
3	1011200	1-1/4" x 7" Pipe Nipple Galvanized
4	1006204	1-1/4" NPT 90° Elbow
5	1011214	1-1/4" x 10" Pipe Nipple Galvanized

PART NUMBERS & SCHEMATICS GUIDE

Figure 23: Pusher Line Assembly



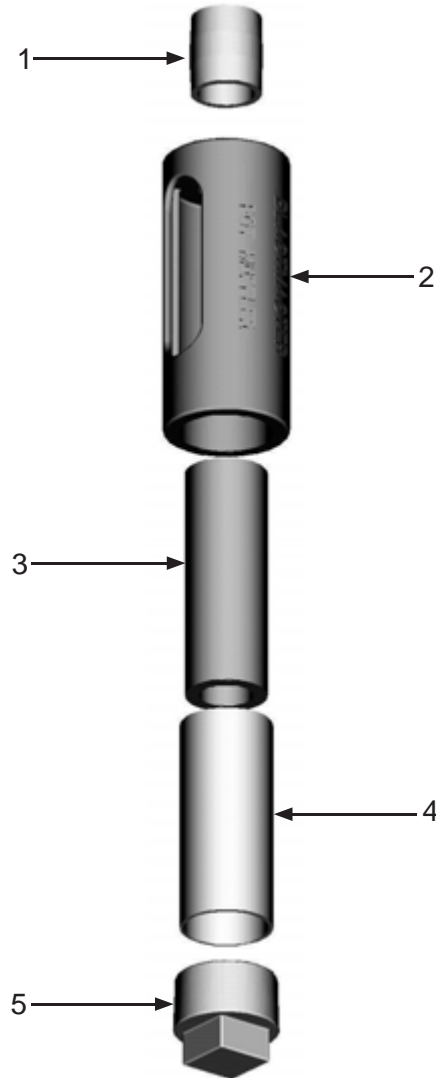
Item #	Part #	Description
--------	--------	-------------

Fig. 23

—	1006312	1-1/2" I.D. Pusher Line Assembly <i>Includes Item #: 1, 2, and 3 (Quantity of Three Feet)</i>
1	10SFE4	1-1/2" Female Swivel Air Hose End <i>(Two Required)</i>
2	10103738	1-1/2" T-Bolt Hose Clamp <i>(Two Required)</i>
3	10AH112B	1-1/2" I.D. Air Hose
—	10SFE4G	Gasket for 10SFE4 Swivel Air Hose End <i>(Not Shown)</i>
—	1090059	Technical Data Sheet – Pusher Line Assemblies

PART NUMBERS & SCHEMATICS GUIDE

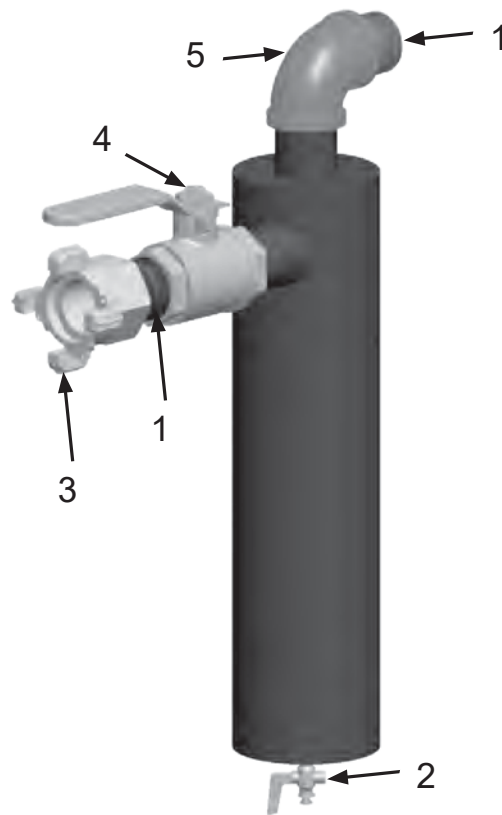
Figure 24: Blastmaster® Abrasive Blasting Pot Muffler



Item#	Part#	Description
Fig. 24		
—	1011100	Blastmaster® Abrasive Blasting Pot Muffler – Complete
1	1012151	1" Close Nipple
2	1011102	Body
3	1011103	Filter Element
4	1011104	Screen
5	1011101	1-1/2" Pipe Plug
—	1011105	Blast Pot Exhaust Muffler Service Kit <i>Includes Item #'s: 3 (Quantity of 3), 4, and 5</i>
—	105M347	Features and Specifications Guide – Blast Pot Exhaust Muffler
—	106M347	Part Numbers and Schematics Guide – Blast Pot Exhaust Muffler

PART NUMBERS & SCHEMATICS GUIDE

Figure 25: Blastmaster® Extractor Moisture Separator



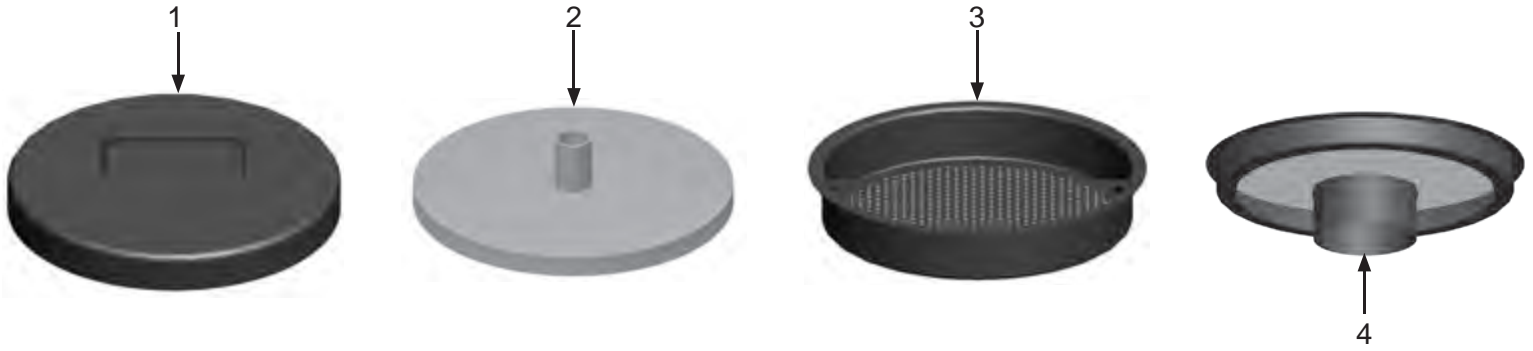
Item#	Part#	Description
-------	-------	-------------

Fig. 25

—	10101313	Blastmaster® 1-1/2" Extractor Moisture Separator
1	1014015	1-1/2" NPT Close Nipple (Two Required)
2	1012101	1/4" NPT Brass Petcock
3	10ME4	4-Lug Air Hose Fitting – 1-1/2" NPT (F)
4	1011603	1-1/2" NPT Full Port Brass Ball Valve
5	1011842	1-1/2" NPT 90° Elbow
—	105M039	Features and Specifications Guide – Moisture Separators
—	106M349	Part Numbers and Schematics Guide – Moisture Separators

OPTIONAL ACCESSORIES

Figure 26: Lids and Screens (Optional)



Item #	Part #	Description
Fig. 26		
1	1006101	24" Lid
2	10108827	24" Cover with 2-3/4" Fill
3	1006102	24" Screen
4	10100733	Abrasive Umbrella (<i>Screen Not Included</i>)

GLOBAL HEADQUARTERS

- 3425 East Locust Street
Davenport, IA 52803

ph: 800.BLAST.IT (800.252.7848)
ph: 563.324.2519
fax: 563.324.6258

REGIONAL BRANCH OFFICES

- **Iowa**
Davenport
- **Louisiana**
Gonzales
Lafayette
- **Ohio**
Youngstown
- **Texas**
Beaumont
Corpus Christi
Deer Park



ABRASIVES
BLASTING
COATING
DUST COLLECTORS
ENGINEERED SYSTEMS
RENTAL
SAFETY
SERVICE & REPAIR
VACUUMS

40+ NATIONWIDE SHIPPING LOCATIONS



★ Marco Regional Branch Offices and Shipping Locations ● Direct Shipping Locations

CONTACT MARCO

800.BLAST.IT
(800.252.7848)
563.324.2519
FAX: 563.324.6258

WWW.MARCO.US
SALES@MARCO.US