



BLASTMASTER® 400 CFM
CART MOUNTED AFTERCOOLER
WITH MOISTURE SEPARATOR



BUILT MARCO
TOUGH
MARCO MANUFACTURED

PART NUMBERS AND SCHEMATICS GUIDE

Company Profile

Since 1944, Marco has developed a strong tradition of providing innovative and reliable products and services to the surface preparation and protective coatings industries. We are the world's premier provider of Abrasives, Blasting, Coating, Dust Collectors, Engineered Systems, Rental, Safety, Service, Repair, & Modernization, and Vacuums.

Through innovative designs and a total commitment to quality, Marco manufactures products that increase production rates, create a safer workplace, and reduce maintenance costs. Marco's industry experience, manufacturing capabilities, legendary customer service, product availability, logistics services, and technology leadership is your assurance that we deliver high quality products and services, providing the best value to you, our customer.

The Marco Difference

- **Industry Experience** – With Marco on your team, you have access to expertise which can only come from decades of industry leadership. We have organized our engineering department, production specialists, customer operations, and safety support into a “Center of Competence.” As a Marco customer, you have access to hundreds of years of cumulative experience related to your operations.
- **Manufacturing Excellence** – Marco is a U.S. based, ISO 9001:2008 certified manufacturer of equipment for the Surface Preparation and Protective Coatings industries. Marco's engineers benchmark the industry to ensure that we design and manufacture superior products that set the “Gold Standard” for performance, safety, and quality.
- **Legendary Customer Service** – Marco's legendary customer service team is staffed by friendly, highly-trained individuals who are focused on providing the highest level of product support, order accuracy, and customer satisfaction.
- **Product Availability** – We stock over 10,000 SKU's and have more than 45 shipping locations to serve North American and International markets for all major brands of blasting and coating equipment. As the largest provider of surface preparation and protective coatings equipment in the world, our inventory levels and product availability are unmatched.
- **Logistics Services** – Marco's in-house logistics team is dedicated to moving your shipment anywhere in the world. We move more than 14,000 truckloads every year, allowing you to save on freight costs by leveraging our buying power. Lower your process costs with a single invoice, which includes product and freight.
- **Technology Leadership** – Our website provides: Operator's Manuals, Part Numbers and Schematics Guides, SDS information, and Features & Specifications Guides, providing access to information 24/7. Our Extranet application allows you to receive quotes and place orders online. Our Intranet maintains a complete record of your purchase history to assist with ongoing support of your existing equipment and future purchasing decisions.

Vision Statement

Marco is the world's premier provider of Abrasives, Blasting, Coating, Dust Collectors, Engineered Systems, Rental, Safety, Service, Repair, & Modernization, and Vacuums.

Mission Statement

Marco provides strong leadership and innovation to the surface preparation and protective coatings industries. We dedicate our efforts to the continuous improvement of our products, services, processes, people, and most importantly, the quality of our customer's experience.

Quality Statement

Marco is committed to providing superior quality in the design, manufacturing, distribution, rental, service, and repair of our products. Our ISO 9001:2008 certification extends throughout all operations in all locations. Continuous improvement of our processes and supply chain Integration comprise the core of our business strategy for delivering exceptional quality and value in all Marco products and services.

Management Philosophy

We are a company dedicated to the success of every customer and associate. We discuss, debate, challenge, measure, and test our ideas. We will be boundless and limitless in our passion to improve. Through sound leadership and dedicated associates, we will ensure a long term, profitable future for Marco, our associates, customers, and suppliers.

TABLE OF CONTENTS

Company Profile	2
Table of Contents	3
Part Numbers	4
Specifications	5
Part Numbers and Schematics	6-10
Blastmaster® 400 CFM Cart Mounted Aftercooler With Moisture Separator—Pneumatic	6-7
Aftercooler Assembly—Pneumatic	8
Air Regulator/Lubricator	9
Transfer Hose Assembly	10
Optional Accessories	11-13
1-1/2" Extractor Moisture Separator Assembly	11
Airflow Shutoff Kits – Lug Fittings	12
Airflow Shutoff Kits – Hammerlock Fittings	12
Pipe Plugs	13
Lubrication	13
Maintenance Notes	14-15

PART NUMBERS

BLASTMASTER® 400 CFM CART MOUNTED AFTERCOOLER WITH MOISTURE SEPARATOR

	Inlet			Outlet			
	Inlet Quantity	Inlet Size	Fittings	Outlet Quantity	Outlet Size	Fittings	
Part Numbers							Filter, Regulator, and Lubricator
10103924	1	2"	Included	5	(1) 2", (4) 1"	Not Included	Included

* Inlet fittings include 2" 4-Lug Female Coupling.

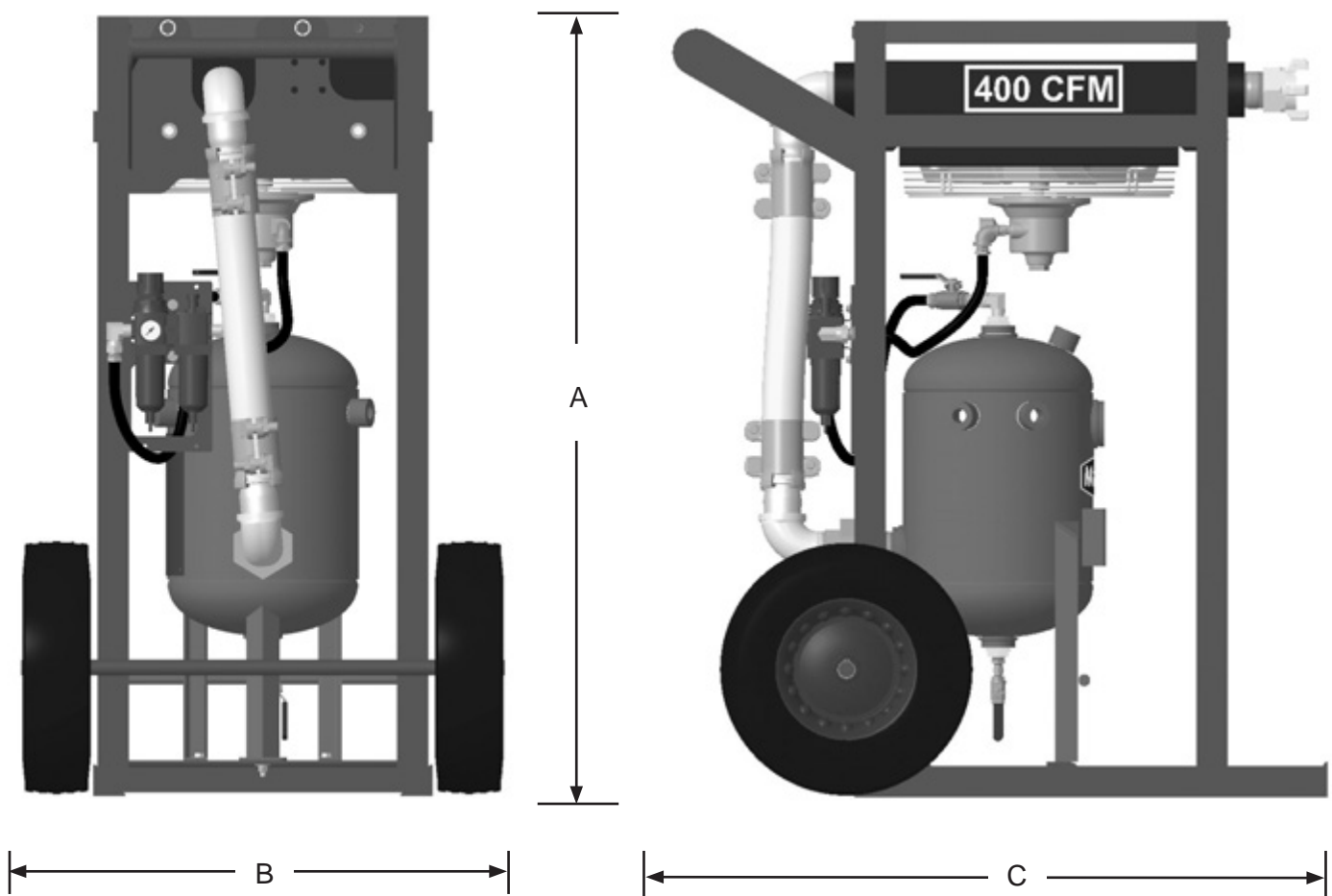


SPECIFICATIONS

Lubrication: SAE 10 oil or Air Tool Anti-freeze Lubricant

Empty Weight: 385 Pounds

Overall Dimensions: A: 49 1/4"
B: 30 1/2"
C: 42 1/2"



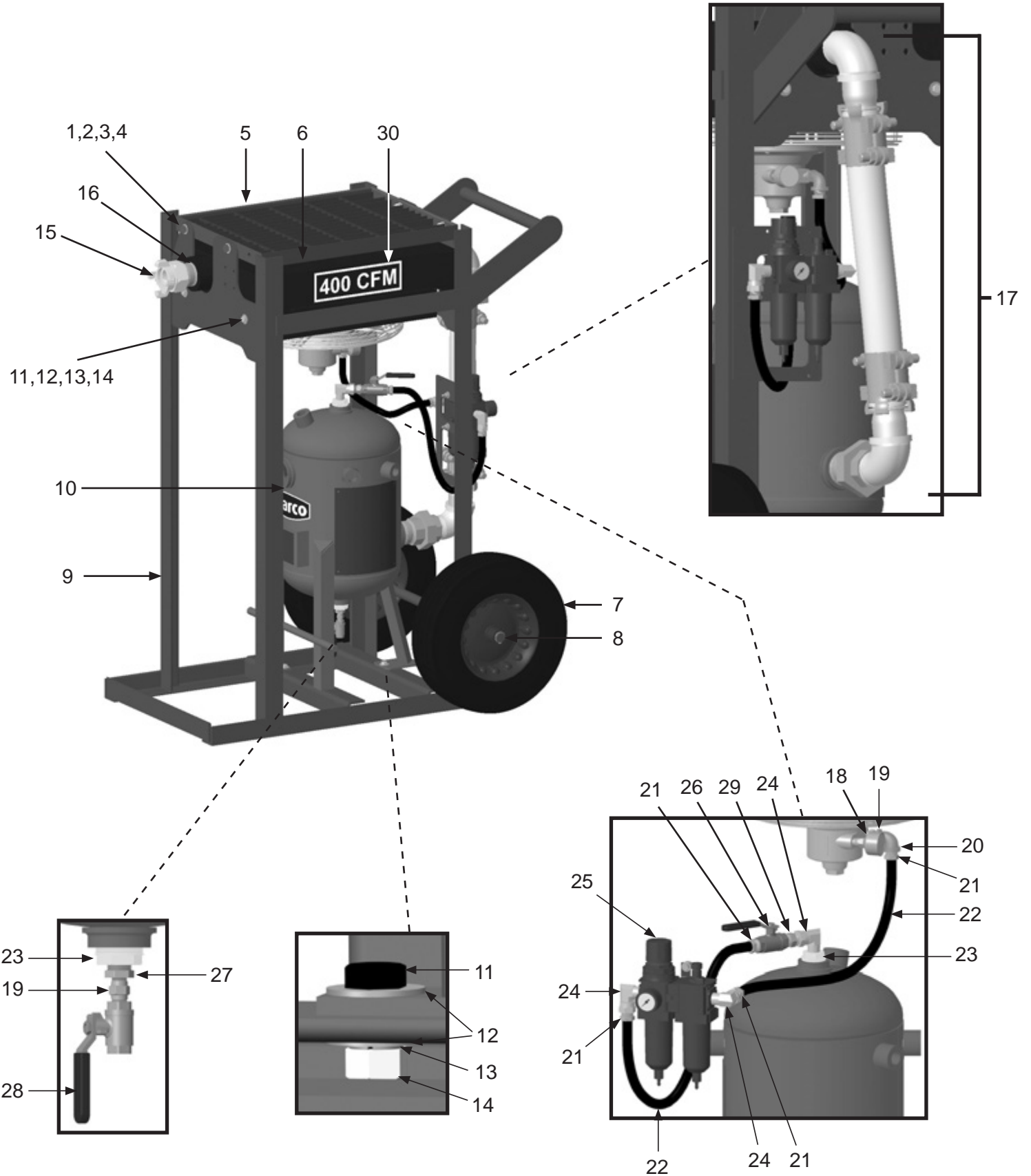
PART NUMBERS AND SCHEMATICS

Blastmaster® 400 CFM Cart Mounted Aftercooler With Moisture Separator—Pneumatic

Item #	Part #	Description
Fig. 1		
—	10103924	Blastmaster® 400 CFM Cart-Mounted Aftercooler with Moisture Separator – Complete
1	10101943	1/2-13 x 1-3/4" Hex Bolt (<i>Four Required</i>)
2	10100674	1/2" Flat Washer (<i>Eight Required</i>)
3	10100675	1/2" Lock Washer (<i>Four Required</i>)
4	10101941	1/2-13 Hex Nut (<i>Four Required</i>)
5	10101271	Heat Exchanger Protective Grate
6	10TTAHP4005	400 CFM Aftercooler – Complete (<i>See Fig. 2</i>)
7	1006064	Wheel (<i>Two Required</i>)
8	1006205	Wheel Clip (<i>Four Required</i>)
9	10108972	Frame
10	10101318	800 CFM 6-Outlet Aftercooler Tank
11	10101059	3/8-6 x 1-1/4" Galvanized Bolt (<i>Seven Required</i>)
12	10101942	3/8" Galvanized Flat Washer (<i>14 Required</i>)
13	10L805015	3/8" Galvanized Lock Washer (<i>Seven Required</i>)
14	10101938	3/8-16 Galvanized Hex Nut (<i>Seven Required</i>)
15	10ME5	2" 4-Lug Female NPT Coupling
16	1001806	2" Close Nipple - Galvanized (<i>Two Required</i>)
17	—	Transfer Hose Assembly (<i>See Fig. 4</i>)
18	10101784	Muffer
19	1017019	1/4" NPT Hex Nipple (<i>Two Required</i>)
20	10101185	1/2" x 1/4" NPT 90° Reducing Elbow
21	10PAF050	1/2" Push-on Air Hose Fitting (<i>Four Required</i>)
22	10AH012	1/2" I.D. Air Hose (<i>Per Foot</i>)
23	1011820	1-1/4" to 1/2" NPT Bushing (<i>Two Required</i>)
24	10SAP1290	1/2" NPT 90° Swivel (<i>Three Required</i>)
25	10101232	Air Regulator/Lubricator with Pressure Gauge (<i>See Fig. 3</i>)
26	10L363	1/2" Full Port Ball Valve
27	1011818	1/2" x 1/4" Galvanized Bushing
28	1080050	1/4" Ball Valve
29	20100677	1/2" NPT Hex Nipple
30	1094535	400 CFM Decal (<i>Two Required</i>)
—	1091045	Hazard Identification Tag
—	106M108	Part Numbers and Schematics Guide – Blastmaster® 400 CFM Cart-Mounted Aftercooler with Moisture Separator
—	1091108	Operator's Manual – Blastmaster® 400 CFM Cart-Mounted Aftercooler with Moisture Separator

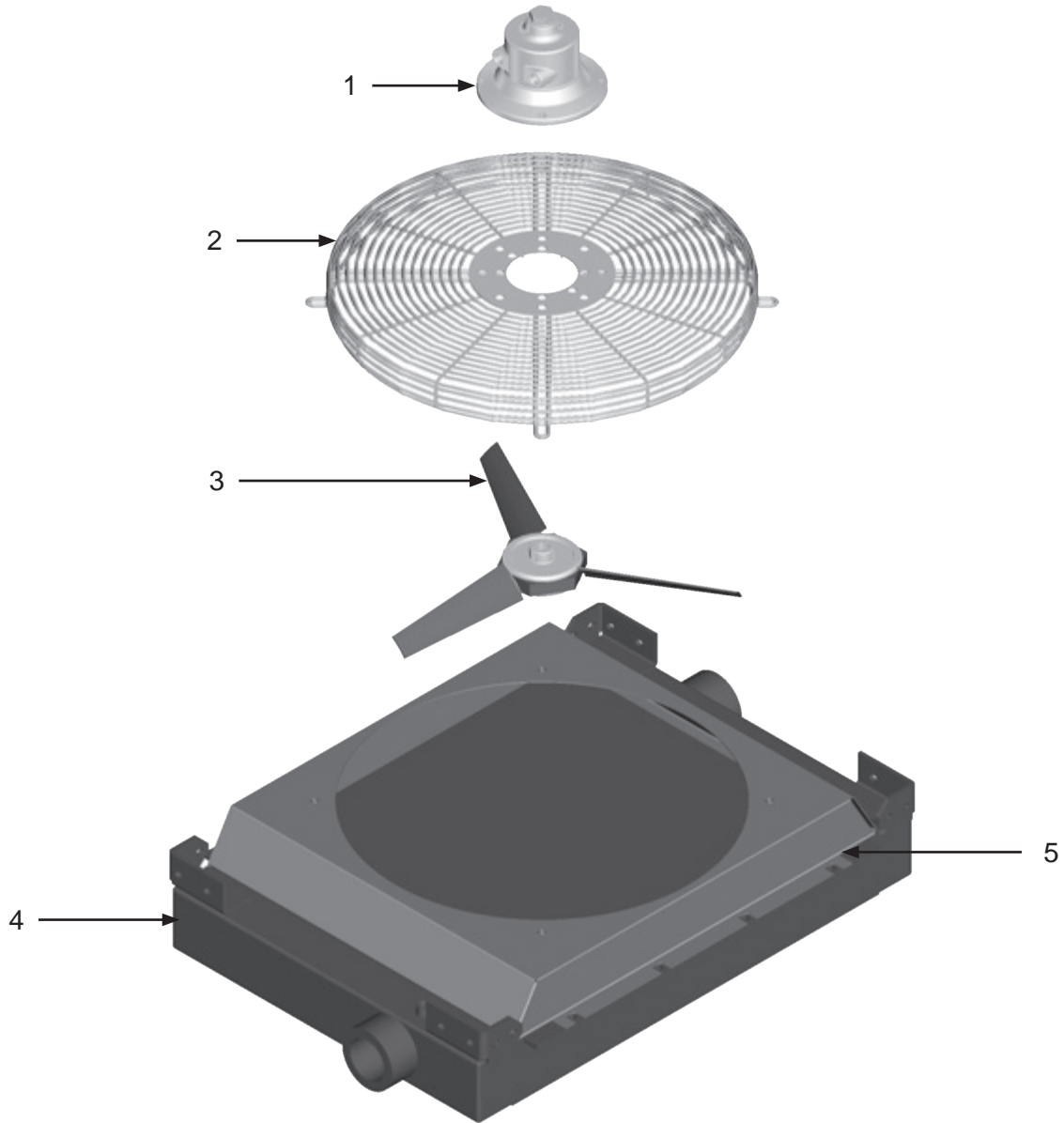
PART NUMBERS AND SCHEMATICS

Figure 1: Blastmaster® 400 CFM Cart Mounted Aftercooler With Moisture Separator—Pneumatic



PART NUMBERS & SCHEMATICS

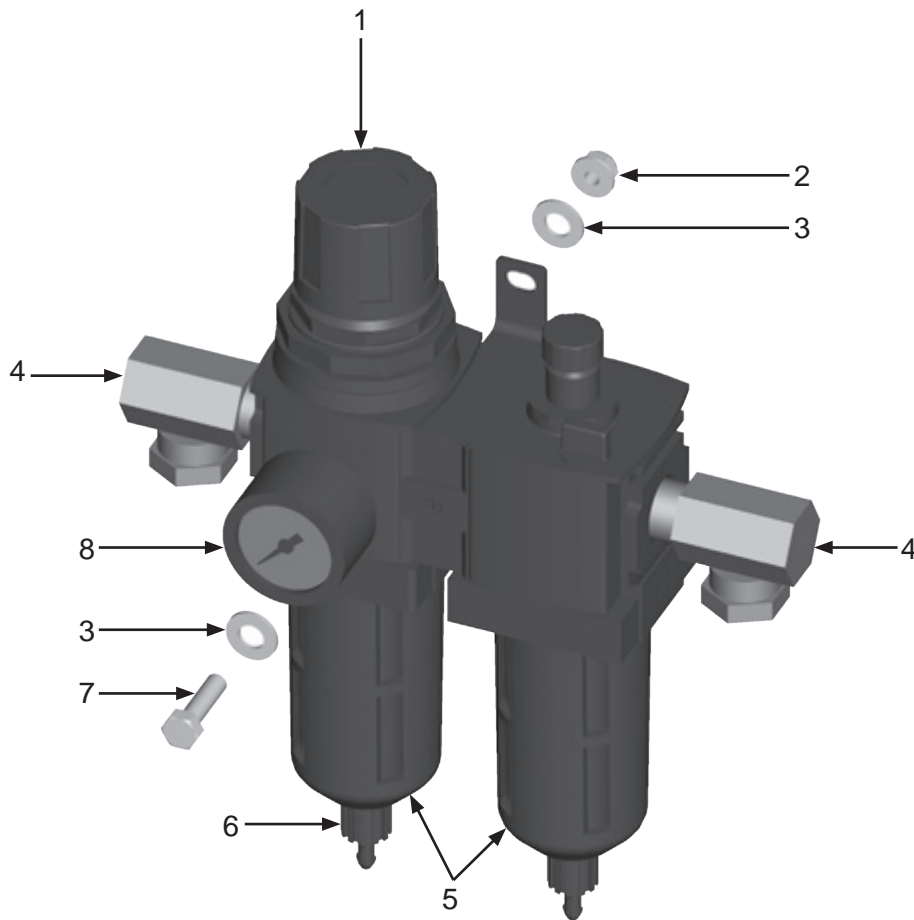
Figure 2: Aftercooler Assembly—Pneumatic



Item #	Part #	Description
Fig. 2		
—	10TTAHP4005	400 CFM Aftercooler—Pneumatic—Complete
1	10101780	Air Motor
2	10101788	Fan Guard
3	10101787	Fan Blade Assembly (Includes three Blades and Hub)
4	10103983	Fan Shroud
5	10101786	Aftercooler Core
—	10101781	Air Motor Service Kit <i>Includes: Shaft Seal, Drive End Bearing, Dead End Bearing, Vanes (Quantity of Four), Push Pins (Quantity of Four), Vane Springs (Quantity of Four), Shim, End Cap Gasket, Muffler Cartridge, and Muffler Felt</i>

PART NUMBERS AND SCHEMATICS

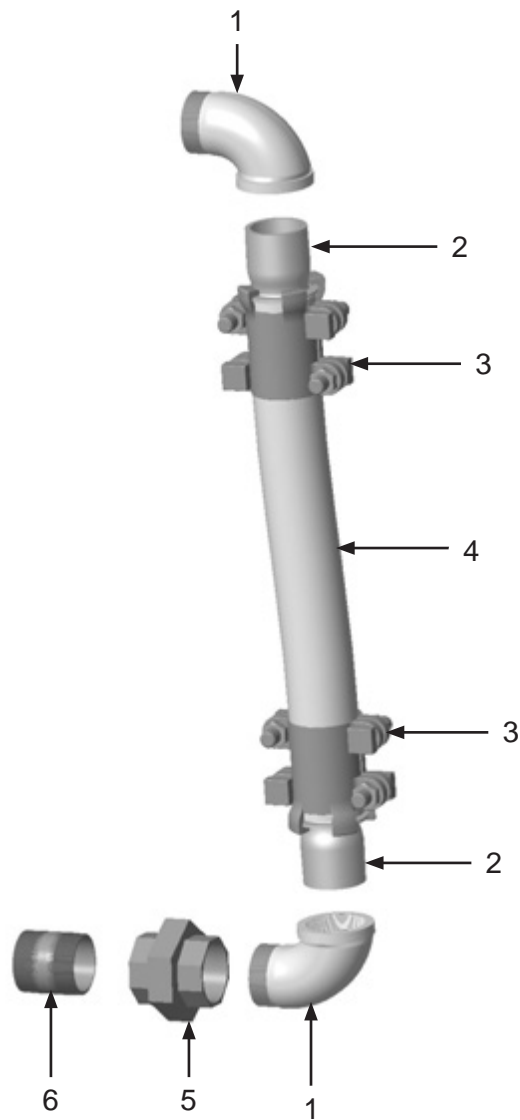
Figure 3: Air Regulator/Lubricator



Item #	Part #	Description
Fig. 3		
1	10101232	Filter/Regulator/Lubricator with Pressure Gauge
2	10101939	1/4" Nylon Insert Lock Nut (<i>Two Required</i>)
3	1014017	1/4" Flat Washer (<i>Four Required</i>)
4	10SAP1290	1/2" 90° Swivel (<i>Two Required</i>)
5	10101235	Polycarbonate Bowl (<i>Two Required</i>)
6	10101234	Manual Drain
7	1012154	1/4-20 X 1" Bolt (<i>Two Required</i>)
8	1028606	Pressure Gauge – 0-160 PSI 1/4" – Back Mount
–	10101233	Filter Element
–	1070517	Pneumatic Tool Oil–32 oz. bottle

PART NUMBERS AND SCHEMATICS

Figure 4: Transfer Hose Assembly



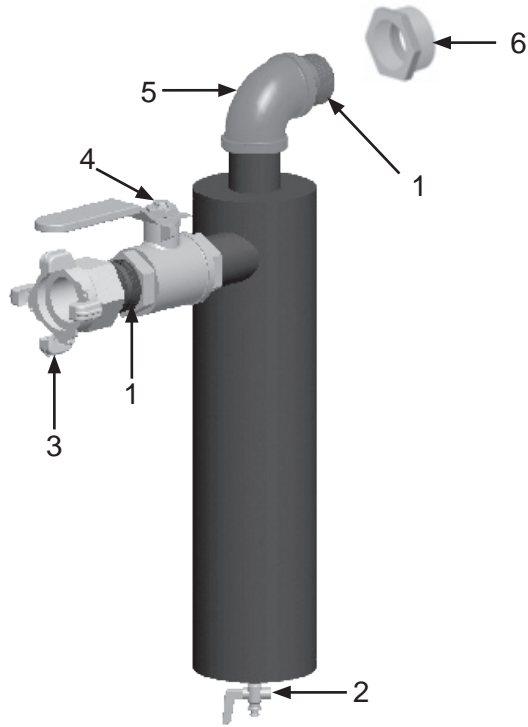
Item #	Part #	Description
--------	--------	-------------

Fig. 4

1	10101265	2" 90° Street Elbow (Two Required)
2	10101268	2" NPT Male Boss Stem (Two Required)
3	10BU28	2" Boss Clamp (Two Required)
4	10101269	2" I.D. Steel Reinforced Air Hose (Per Foot)
5	10101267	2" NPT Pipe Union
6	1001806	2" NPT Close Nipple





OPTIONAL ACCESSORIES






Figure 5: 1-1/2" Extractor Moisture Separator Assembly








Item #	Part #	Description
Fig. 5		
–	10101313	Blastmaster® 1-1/2" Extractor Moisture Separator <i>Includes Item #: 1, 2, 3, 4, and 5</i>
1	1014015	1-1/2" NPT Close Nipple (<i>Two Required</i>)
2	1012101	1/4" NPT Brass Petcock
3	10ME4	4-Lug Air Hose Fitting – 1-1/2" NPT (F)
4	1011603	1-1/2" NPT Full Port Brass Ball Valve
5	1011842	1-1/2" NPT 90° Elbow
6	1001868	2" x 1-1/2" Hex Bushing
—	106M349	Part Numbers and Schematics Guide – Blastmaster® Extractor Moisture Separators

OPTIONAL ACCESSORIES

		AIRFLOW SHUTOFF KITS – LUG FITTINGS			
	Part Numbers	Pipe String I.D.	Close Nipple	Full Port Ball Valve	Coupling
	10103731	1"	1012151	1011601	10ME2
	10103732	1-1/4"	1011201 <i>(Quantity of Two)</i>	1011602	10ME3
	10103733	1-1/2"	1014015 <i>(Quantity of Two)</i>	1011603	10ME4
	10103734	2"	1001806 <i>(Quantity of Two)</i>	1011604	10ME5

		AIRFLOW SHUTOFF KITS – HAMMERLOCK FITTINGS			
	Part Numbers	Pipe String I.D.	Close Nipple	Full Port Ball Valve	Coupling Spud
	10103830	1"	10102151 <i>(Quantity of Two)</i>	1011601	10DXGB13
	10103831	1-1/4"	1011201 <i>(Quantity of Two)</i>	1011602	10DXGB18
	10103832	1-1/2"	1014015 <i>(Quantity of Two)</i>	1011603	10DXGB23
	10103833	2"	1001806 <i>(Quantity of Two)</i>	1011604	10DXGB28
	10103934	3"	10101040 <i>(Quantity of Two)</i>	1011608	10GB38

OPTIONAL ACCESSORIES

Part Numbers		GALVANIZED SQUARE HEAD PIPE PLUGS
		Size
	1011901	1"
	1011902	1-1/4"
	1011101	1-1/2"
	1011823	2"
	10101034	3"

Part Numbers	LUBRICATION
1070517	Pneumatic Air Tool Oil - 32 oz. bottle

MAINTENANCE NOTES

DATE	TYPE OF SERVICE	PART NUMBER

40+ NATIONWIDE SHIPPING LOCATIONS



★ Marco Regional Branch Offices and Shipping Locations

● Direct Shipping Locations

CONTACT CENTER

- 3425 East Locust Street
Davenport, IA 52803

ph: 800.BLAST.IT (800.252.7848)

ph: 563.324.2519

fax: 563.324.6258

REGIONAL BRANCH OFFICES

- **Iowa**
Davenport
- **Louisiana**
Gonzales
Lafayette
- **Ohio**
Youngstown
- **Texas**
Beaumont
Corpus Christi
Deer Park



ABRASIVES

BLASTING

COATING

DUST COLLECTORS

ENGINEERED SYSTEMS

RENTAL

SAFETY

SERVICE & REPAIR

VACUUMS

CONTACT MARCO

800.BLAST.IT

(800.252.7848)

563.324.2519

FAX: 563.324.6258

WWW.MARCO.US

SALES@MARCO.US