



BLASTMASTER® 400 CFM CART-MOUNTED AFTERCOOLER



BUILT MARCO TOUGH
MARCO MANUFACTURED

PART NUMBERS AND SCHEMATICS GUIDE

Company Profile

Since 1944, Marco has developed a strong tradition of providing innovative and reliable products and services to the surface preparation and protective coatings industries. We are the world's premier provider of Abrasives, Blasting, Coating, Dust Collectors, Engineered Systems, Rental, Safety, Service, Repair, & Modernization, and Vacuums.

Through innovative designs and a total commitment to quality, Marco manufactures products that increase production rates, create a safer workplace, and reduce maintenance costs. Marco's industry experience, manufacturing capabilities, legendary customer service, product availability, logistics services, and technology leadership is your assurance that we deliver high quality products and services, providing the best value to you, our customer.

The Marco Difference

- **Industry Experience** – With Marco on your team, you have access to expertise which can only come from decades of industry leadership. We have organized our engineering department, production specialists, customer operations, and safety support into a “Center of Competence.” As a Marco customer, you have access to hundreds of years of cumulative experience related to your operations.
- **Manufacturing Excellence** – Marco is a U.S. based, ISO 9001:2008 certified manufacturer of equipment for the Surface Preparation and Protective Coatings industries. Marco's engineers benchmark the industry to ensure that we design and manufacture superior products that set the “Gold Standard” for performance, safety, and quality.
- **Legendary Customer Service** – Marco's legendary customer service team is staffed by friendly, highly-trained individuals who are focused on providing the highest level of product support, order accuracy, and customer satisfaction.
- **Product Availability** – We stock over 10,000 SKU's and have more than 45 shipping locations to serve North American and International markets for all major brands of blasting and coating equipment. As the largest provider of surface preparation and protective coatings equipment in the world, our inventory levels and product availability are unmatched.
- **Logistics Services** – Marco's in-house logistics team is dedicated to moving your shipment anywhere in the world. We move more than 14,000 truckloads every year, allowing you to save on freight costs by leveraging our buying power. Lower your process costs with a single invoice, which includes product and freight.
- **Technology Leadership** – Our website provides: Operator's Manuals, Part Numbers and Schematics Guides, SDS information, and Features & Specifications Guides, providing access to information 24/7. Our Extranet application allows you to receive quotes and place orders online. Our Intranet maintains a complete record of your purchase history to assist with ongoing support of your existing equipment and future purchasing decisions.

Vision Statement

Marco is the world's premier provider of Abrasives, Blasting, Coating, Dust Collectors, Engineered Systems, Rental, Safety, Service, Repair, & Modernization, and Vacuums.

Mission Statement

Marco provides strong leadership and innovation to the surface preparation and protective coatings industries. We dedicate our efforts to the continuous improvement of our products, services, processes, people, and most importantly, the quality of our customer's experience.

Quality Statement

Marco is committed to providing superior quality in the design, manufacturing, distribution, rental, service, and repair of our products. Our ISO 9001:2008 certification extends throughout all operations in all locations. Continuous improvement of our processes and supply chain Integration comprise the core of our business strategy for delivering exceptional quality and value in all Marco products and services.

Management Philosophy

We are a company dedicated to the success of every customer and associate. We discuss, debate, challenge, measure, and test our ideas. We will be boundless and limitless in our passion to improve. Through sound leadership and dedicated associates, we will ensure a long term, profitable future for Marco, our associates, customers, and suppliers.

TABLE OF CONTENTS

Company Profile	2
Table of Contents	3
Part Numbers	4
Specifications	5
Part Numbers and Schematics	6-13
Blastmaster® 400 CFM Cart Mounted Aftercooler—Pneumatic	6-7
Blastmaster® 400 CFM Cart Mounted Aftercooler—Electric	8-9
Aftercooler Assembly—Pneumatic	10
Aftercooler Assembly—Electric	11
Air Regulator/Lubricator	12
1-1/2" Junior Extractor Moisture Separator Assembly	13
Optional Accessories	14
Lubrication	14
Maintenance Notes	15

PART NUMBERS

BLASTMASTER® 400 CFM CART MOUNTED AFTERCOOLER

	Inlet			Outlet						
	Inlet Quantity	Inlet Size	Fittings	Outlet Quantity	Outlet Size	Fittings				
Part Numbers										
10101731	1	1-1/2"	Included	1	1-1/2"	Included	Pneumatic	Included	Included	Not Included
10101732	1	1-1/2"	Included	1	1-1/2"	Included	115-Volt AC	Not Included	Included	Included
10108810	1	1-1/2"	Included	1	1-1/2"	Included	230-Volt AC	Not Included	Included	Included

* Inlet fittings include 1-1/2" 4-Lug Female Coupling. Outlet fittings include 1-1/2" 4-Lug Female Coupling.



**Blastmaster® 400 CFM Cart-Mounted
Aftercooler – Pneumatic**



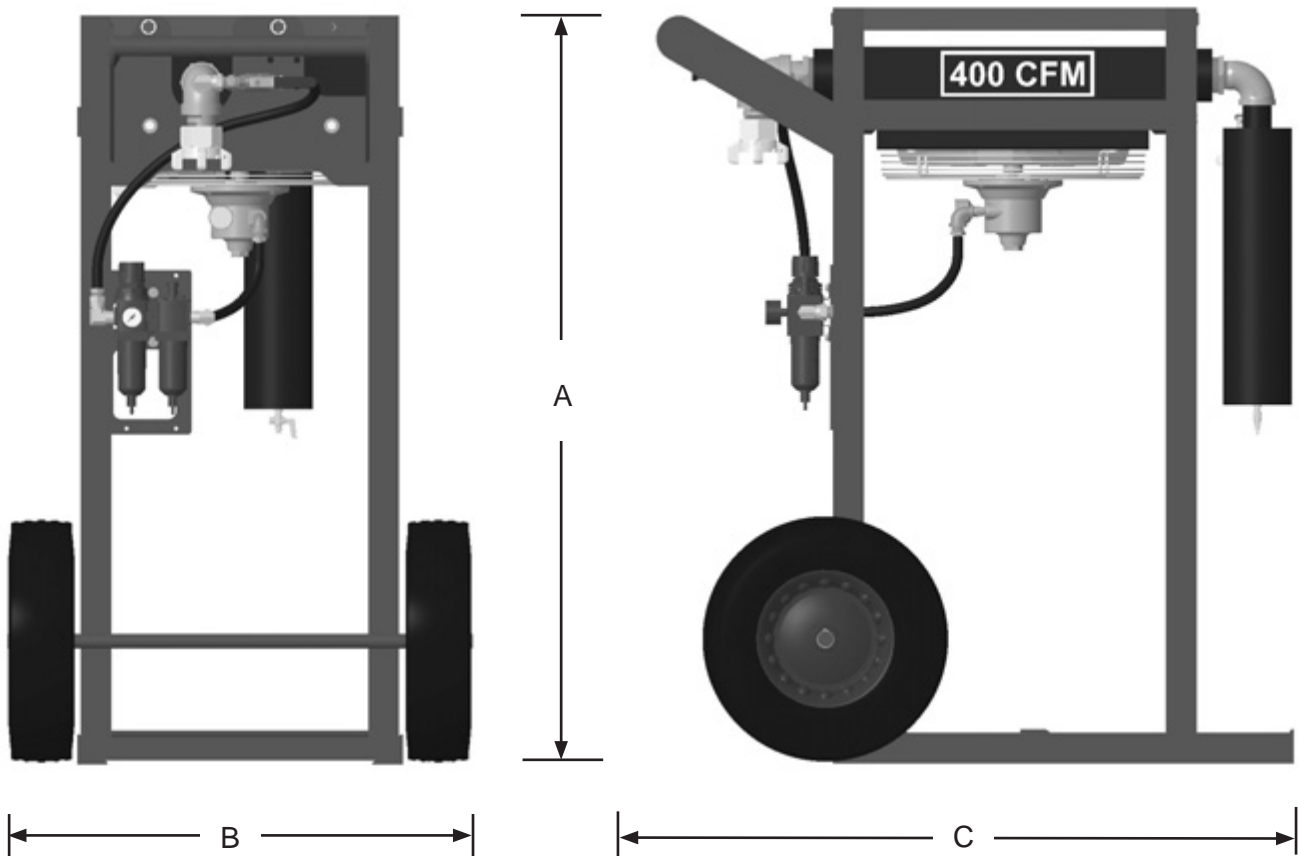
**Blastmaster® 400 CFM Cart-Mounted
Aftercooler – Electric**

SPECIFICATIONS

Lubrication: SAE 10 oil or Air Tool Anti-freeze Lubricant

Empty Weight: 300 Pounds

Overall Dimensions: A: 49 1/4"
B: 30 1/2"
C: 42 1/2"



Pneumatic model shown, Electric model has same dimensions.

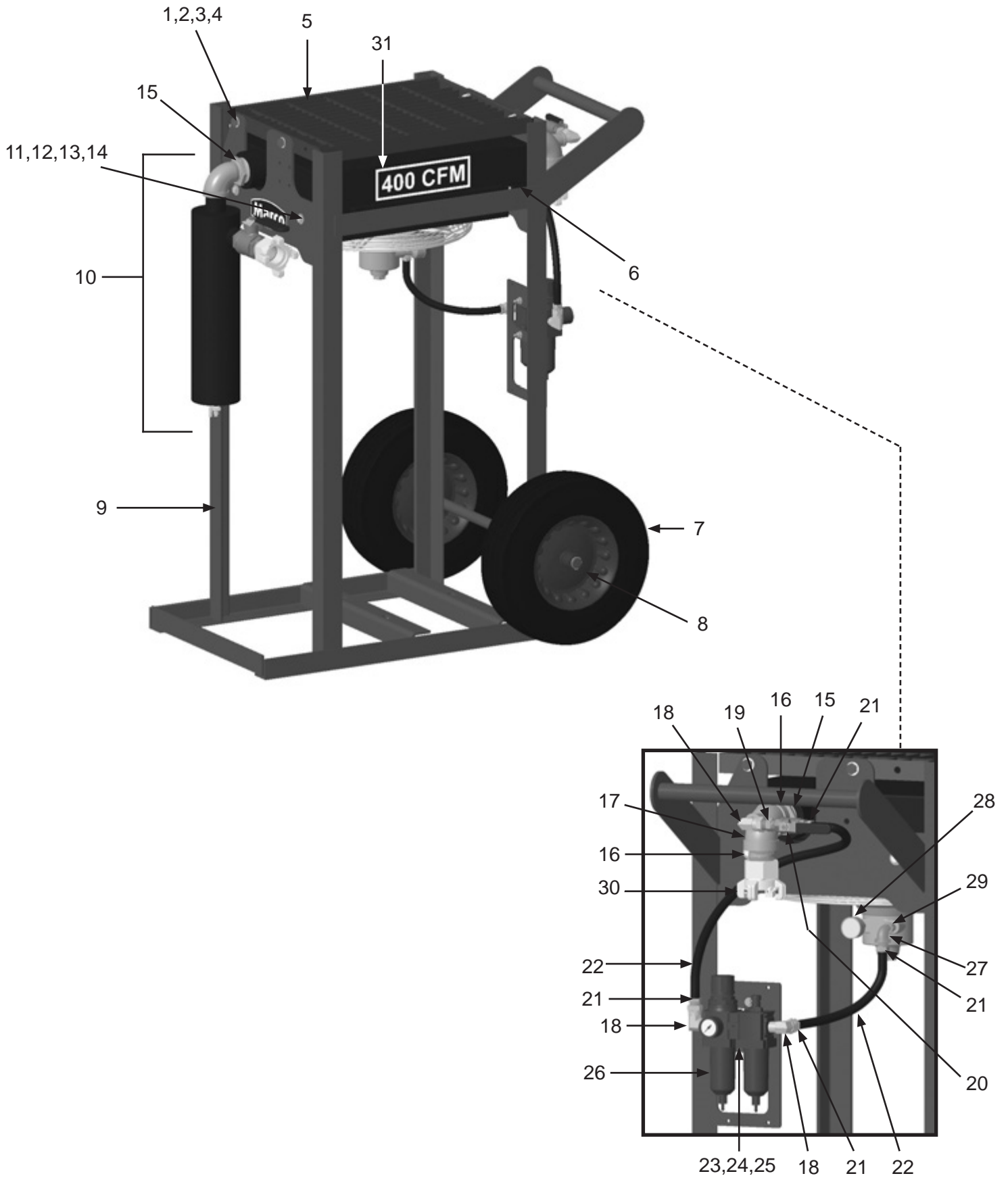
PART NUMBERS AND SCHEMATICS

Blastmaster® 400 CFM Cart Mounted Aftercooler—Pneumatic

Item #	Part #	Description
Fig. 1		
—	10101731	Blastmaster® 400 CFM Cart-Mounted Aftercooler—Pneumatic—Complete
1	10101943	1/2-13 x 1-3/4" Hex Bolt <i>(Four Required)</i>
2	10100674	1/2" Flat Washer <i>(Eight Required)</i>
3	10100675	1/2" Split Lock Washer <i>(Four Required)</i>
4	10101941	1/2-13 Hex Nut <i>(Four Required)</i>
5	10101271	400 CFM Aftercooler Protective Grate
6	10TTAHP4005	400 CFM Aftercooler - Pneumatic - Complete <i>(see Fig. 3)</i>
7	1006064	Wheel <i>(Two Required)</i>
8	1006205	Wheel Clip <i>(Four Required)</i>
9	10108972	Frame
10	—	1-1/2" Extractor Moisture Separator Assembly <i>(See Fig. 6)</i>
11	10101059	3/8-16 x 1-1/4" Hex Bolt <i>(Four Required)</i>
12	10101942	3/8" Flat Washer <i>(Eight Required)</i>
13	10L805015	3/8" Lock Washer <i>(Four Required)</i>
14	10101938	3/8-16 Hex Nut <i>(Four Required)</i>
15	1001868	2" x 1-1/2" NPT Bushing <i>(Two Required)</i>
16	1014015	1-1/2" NPT Close Nipple <i>(Two Required)</i>
17	1011828	1-1/2" NPT 90° Elbow with 1/2" Port
18	10SAP1290	1/2" NPT 90° Swivel <i>(Three Required)</i>
19	20100677	1/2" NPT Hex Nipple
20	10L363	1/2" NPT Full Port Ball Valve
21	10PAF050	1/2" Push-on Air Hose Fitting <i>(Four Required)</i>
22	10AH012	1/2" I.D. Air Hose <i>(per foot)</i>
23	10101939	1/4-20 Hex Nylon Lock Nut <i>(Two Required)</i>
24	1014017	1/4" Flat Washer <i>(Two Required)</i>
25	1012154	1/4-20 x 1" Hex Bolt <i>(Two Required)</i>
26	10101232	Air Regulator/Lubricator with Pressure Gauge <i>(See Fig. 5)</i>
27	10101185	1/2" x 1/4" Reducing Elbow
28	10101784	Muffler
29	1017019	1/4" NPT Hex Nipple
30	10ME4	1-1/2" NPT Four-Lug Air Fitting
31	1094535	400 CFM Decal <i>(Two Required)</i>
—	1091045	Hazard Identification Tag
—	106M096	Part Numbers and Schematics Guide – Blastmaster® 400 CFM Cart-Mounted Aftercooler
—	1090096	Operator's Manual – Blastmaster® 400 CFM Cart-Mounted Aftercooler

PART NUMBERS AND SCHEMATICS

Figure 1: Blastmaster® 400 CFM Cart Mounted Aftercooler—Pneumatic



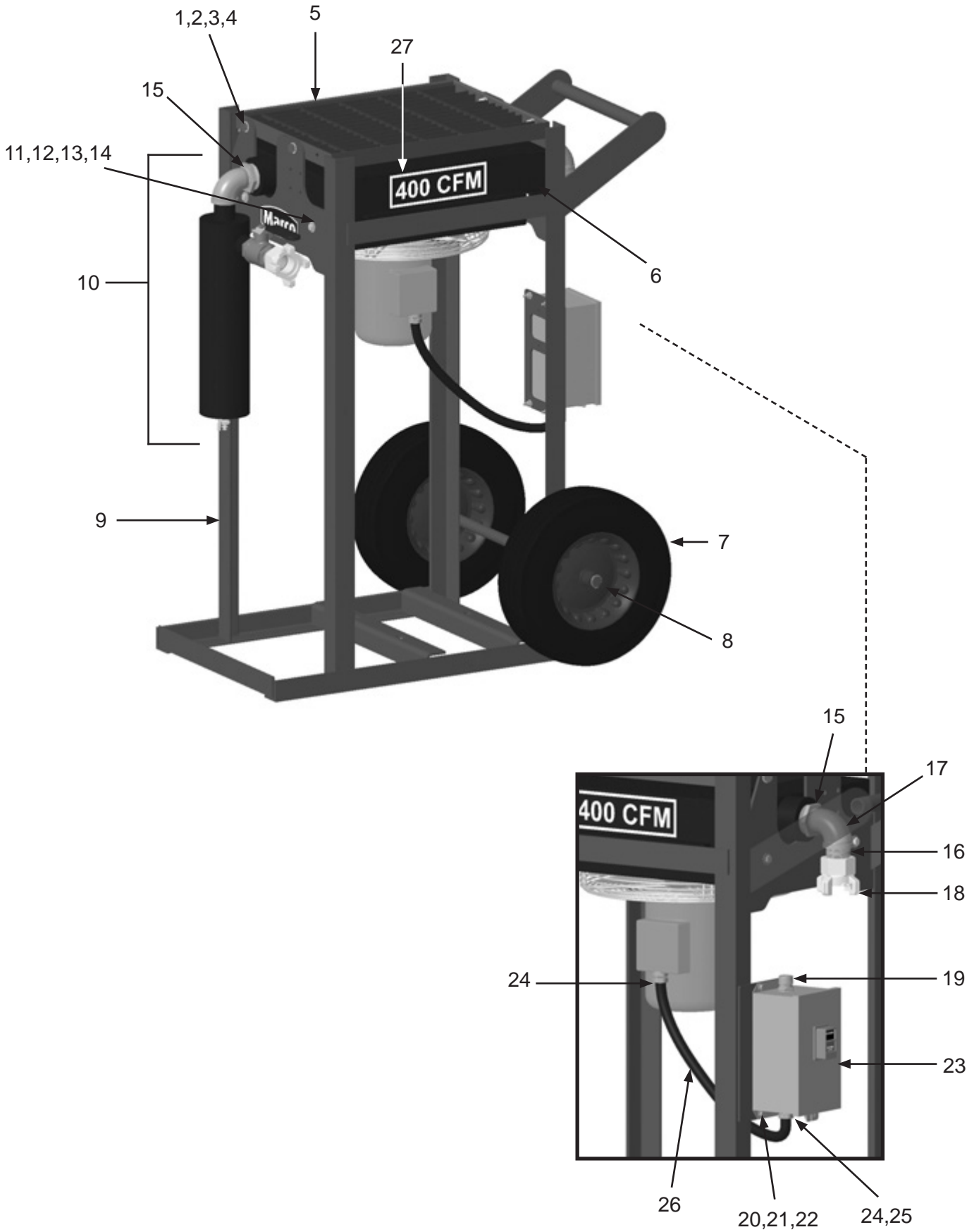
PART NUMBERS AND SCHEMATICS

Blastmaster® 400 CFM Cart Mounted Aftercooler—Electric

Item #	Part #	Description
Fig. 2		
—	10101732	Blastmaster® 400 CFM Cart-Mounted Aftercooler—115 Volt Electric
—	10108810	Blastmaster® 400 CFM Cart-Mounted Aftercooler—230 Volt Electric
1	10101943	1/2-13 x 1-3/4" Hex Bolt <i>(Four Required)</i>
2	10100674	1/2" Flat Washer <i>(Eight Required)</i>
3	10100675	1/2" Split Lock Washer <i>(Four Required)</i>
4	10101941	1/2-13 Hex Nut <i>(Four Required)</i>
5	10101271	400 CFM Aftercooler Protective Grate
6	10TTAHP4002	400 CFM Aftercooler - Electric - Complete <i>(see Fig. 4)</i>
7	1006064	Wheel <i>(Two Required)</i>
8	1006205	Wheel Clip <i>(Four Required)</i>
9	10108972	Frame
10	—	1-1/2" Extractor Moisture Separator Assembly <i>(See Fig. 6)</i>
11	10101059	3/8-16 x 1-1/4" Hex Bolt <i>(Four Required)</i>
12	10101942	3/8" Flat Washer <i>(Eight Required)</i>
13	10L805015	3/8" Lock Washer <i>(Four Required)</i>
14	10101938	3/8-16 Hex Nut <i>(Four Required)</i>
15	1001868	2" x 1-1/2" NPT Bushing <i>(Two Required)</i>
16	1014015	1-1/2" NPT Close Nipple
17	1011839	1-1/2" NPT 90° Street Elbow
18	10ME4	1-1/2" NPT Four-Lug Air Fitting
19	20101299	3/4" NPT Cord Grip
20	1012154	1/4-20 x 1" Hex Bolt Zinc <i>(Four Required)</i>
21	1014017	1/4" Flat Washer Zinc <i>(Eight Required)</i>
22	10101939	1/4-20 Hex Nylon Lock Nut <i>(Four Required)</i>
23	10101760	Motor Starter – Single Phase
24	20RST50	1/2" Straight Conduit Connector <i>(Two Required)</i>
25	10108844	3/4" x 1/2" Reducing Washer <i>(Two Required)</i>
26	20RSEL050UL	1/2" UL/UA Seal-Tite Conduit <i>(Per Foot)</i>
27	1094535	400 CFM Decal <i>(Two Required)</i>
—	10108797	Thermal Unit - Full Load Current 11.5 - 12.8 Amps <i>(For use with 10101732)</i>
—	10108794	Thermal Unit - Full Load Current 5.74 - 6.35 Amps <i>(For use with 10108810)</i>
—	106M096	Part Numbers and Schematics Guide – Blastmaster® 400 CFM Cart-Mounted Aftercooler
—	1090096	Operator's Manual – Blastmaster® 400 CFM Cart-Mounted Aftercooler
—	1091045	Hazard Identification Tag

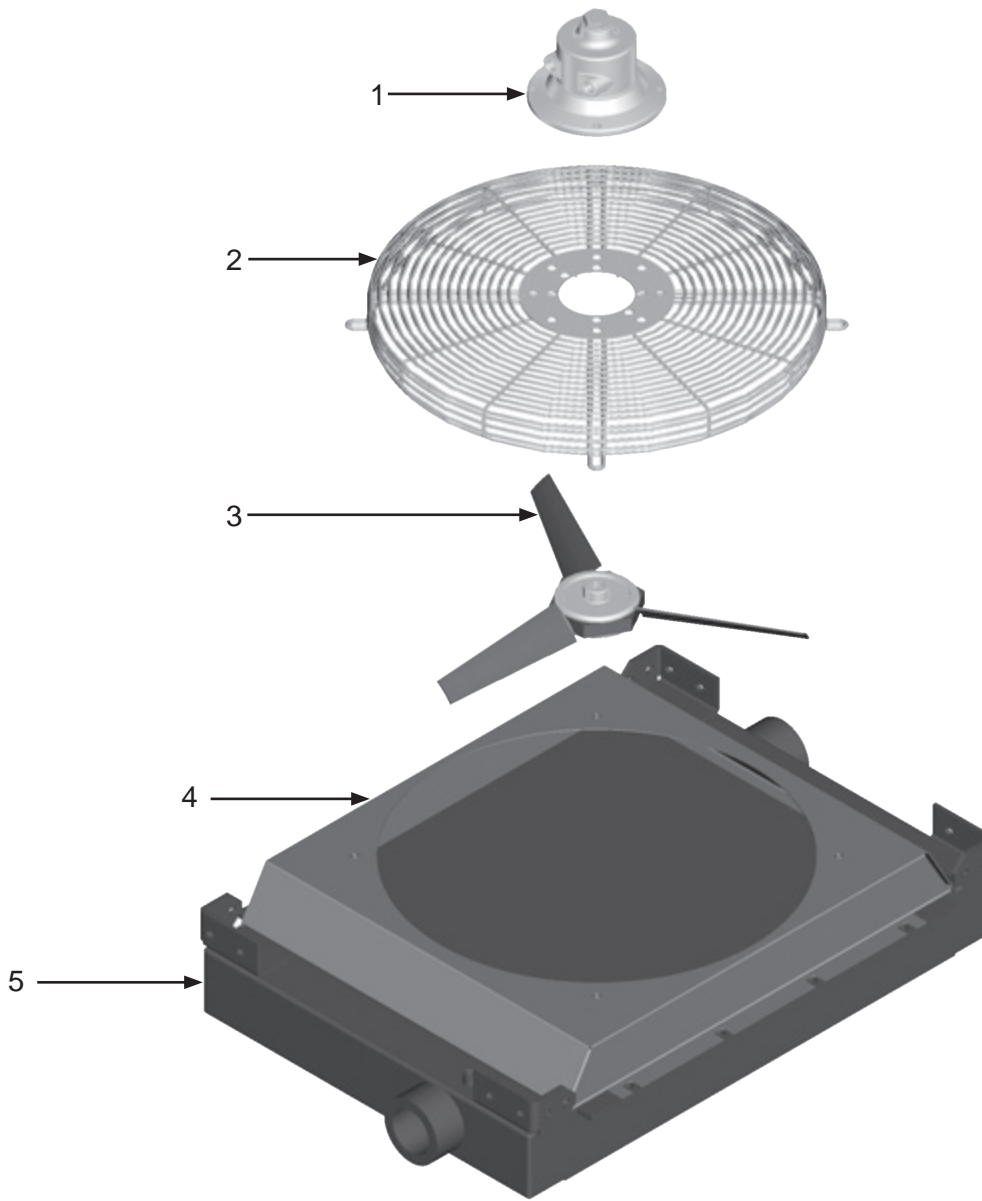
PART NUMBERS AND SCHEMATICS

Figure 2: Blastmaster® 400 CFM Cart Mounted Aftercooler—Electric



PART NUMBERS AND SCHEMATICS

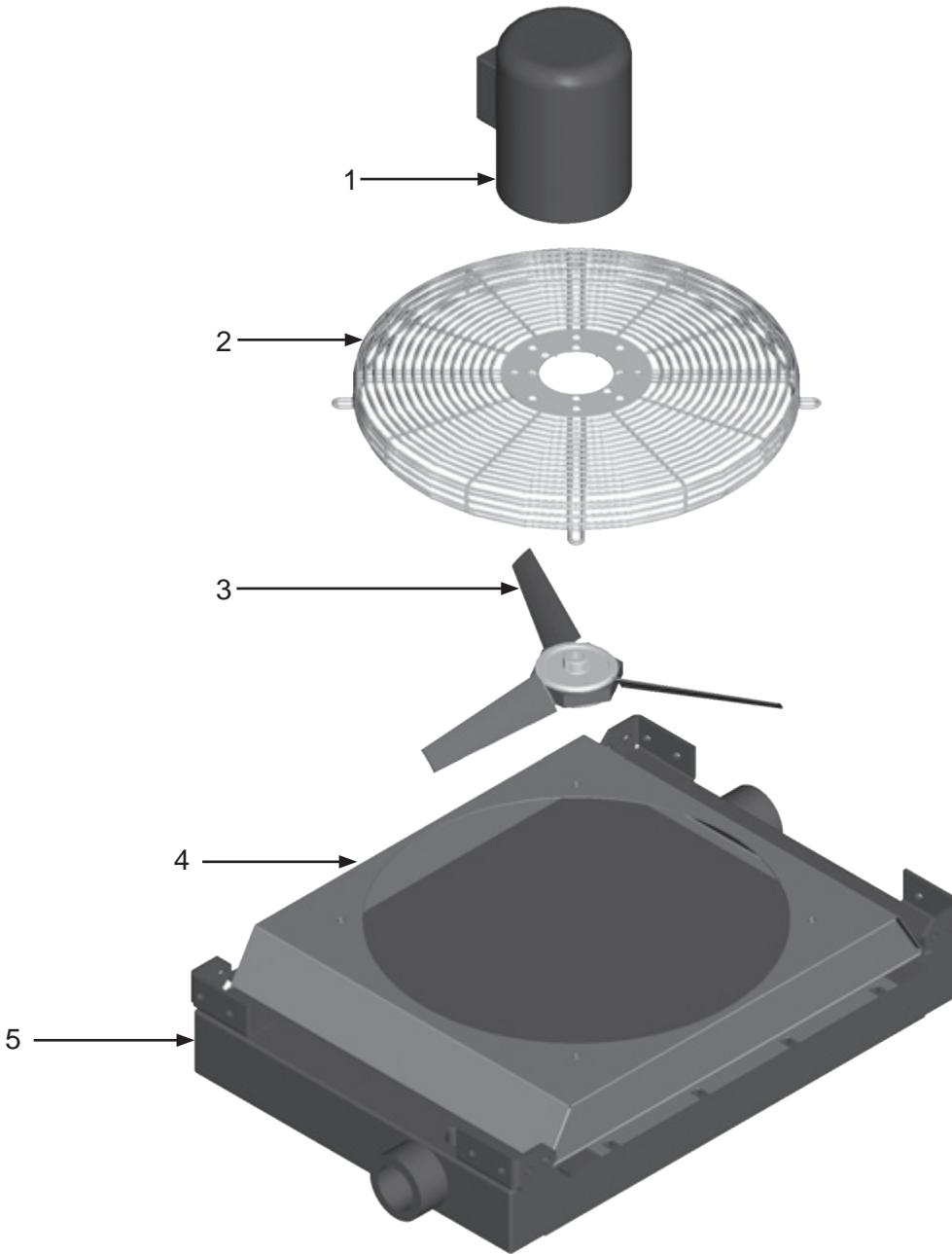
Figure 3: Aftercooler Assembly—Pneumatic



Item #	Part #	Description
Fig. 3		
	10TTAHP4005	400 CFM Aftercooler—Pneumatic—Complete
1	10101780	Air Motor
2	10101788	Fan Guard
3	10101787	Fan Blade Assembly
4	10103983	Fan Shroud
5	10101786	Aftercooler Core
—	10101784	Muffler for Air Motor
—	10101781	Air Motor Service Kit <i>Includes: Shaft Seal, Drive End Bearing, Dead End Bearing, Vanes (Quantity of Four), Push Pins (Quantity of Four), Vane Springs (Quantity of Four), Shim, End Cap Gasket, Muffler Cartridge, and Muffler Felt</i>

PART NUMBERS AND SCHEMATICS

Figure 4: Aftercooler Assembly—Electric



Item #	Part #	Description
--------	--------	-------------

Fig. 4

	10TTAHP4002	400 CFM Aftercooler—Electric—Complete
--	--------------------	--

1	10101789	Electric Motor – (115 Volt to 208-230 Volt) – Single Phase
---	----------	--

2	10101788	Fan Guard
---	----------	-----------

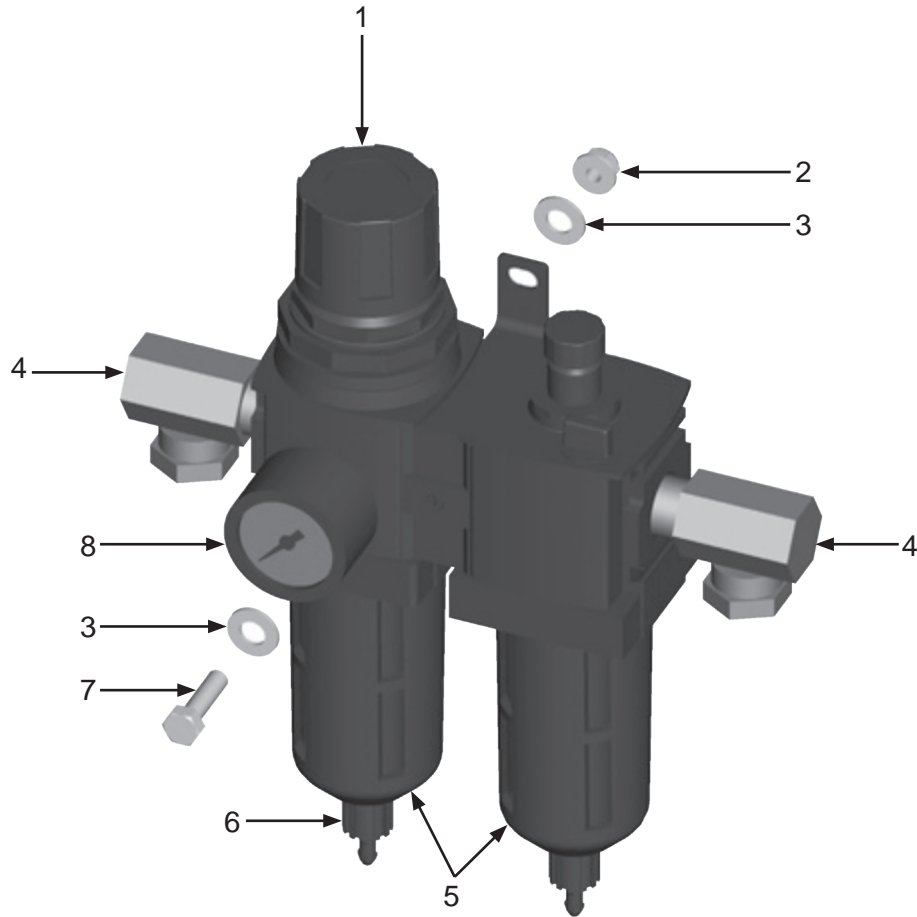
3	10101787	Fan Blade Assembly
---	----------	--------------------

4	10103983	Fan Shroud
---	----------	------------

5	10101786	Aftercooler Core
---	----------	------------------

PART NUMBERS AND SCHEMATICS

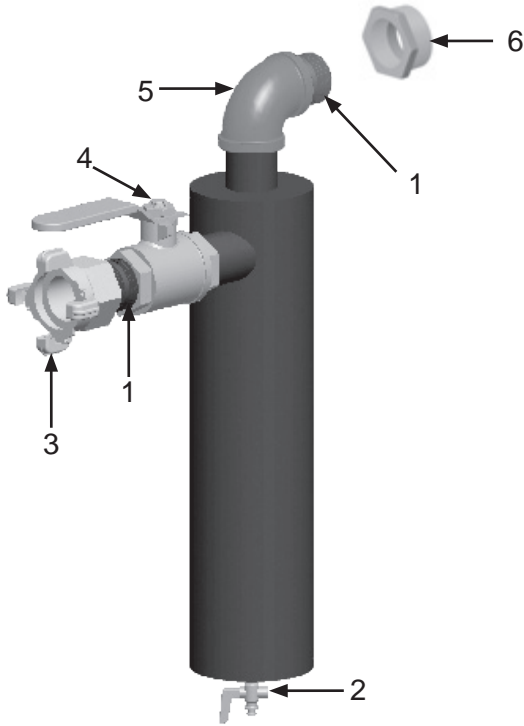
Figure 5: Air Regulator/Lubricator



Item #	Part #	Description
Fig. 5		
1	10101232	Filter/Regulator/Lubricator with Pressure Gauge
2	10101939	1/4" Nylon Insert Lock Nut (<i>Two Required</i>)
3	1014017	1/4" Flat Washer (<i>Four Required</i>)
4	10SAP1290	1/2" 90° Swivel (<i>Two Required</i>)
5	10101235	Polycarbonate Bowl (<i>Two Required</i>)
6	10101234	Manual Drain
7	1012154	1/4-20 X 1" Bolt (<i>Two Required</i>)
8	1028606	Pressure Gauge – 0-160 PSI 1/4" – Back Mount
–	10101233	Filter Element
–	1070517	Pneumatic Air Tool Oil–32 oz. bottle

PART NUMBERS AND SCHEMATICS

Figure 6: 1-1/2" Junior Extractor Moisture Separator Assembly



Item #	Part #	Description
--------	--------	-------------

Fig. 6

–	10101313	Blastmaster® 1-1/2" Extractor Moisture Separator
---	-----------------	---

Includes Item #: 1, 2, 3, 4, and 5

1	1014015	1-1/2" NPT Close Nipple (Two Required)
---	---------	--

2	1012101	1/4" NPT Brass Petcock
---	---------	------------------------

3	10ME4	4-Lug Air Hose Fitting – 1-1/2" NPT (F)
---	-------	---

4	1011603	1-1/2" NPT Full Port Brass Ball Valve
---	---------	---------------------------------------

5	1011842	1-1/2" NPT 90° Elbow
---	---------	----------------------

6	1001868	2" x 1-1/2" Hex Bushing
---	---------	-------------------------

—	106M349	Part Numbers and Schematics Guide – Blastmaster® Extractor Moisture Separators
---	---------	--

OPTIONAL ACCESSORIES

Part Numbers	LUBRICATION
1070517	Pneumatic Air Tool Oil - 32 oz. bottle

40+ NATIONWIDE SHIPPING LOCATIONS



★ Marco Regional Branch Offices and Shipping Locations

● Direct Shipping Locations

CONTACT CENTER

- 3425 East Locust Street
Davenport, IA 52803

ph: 800.BLAST.IT (800.252.7848)

ph: 563.324.2519

fax: 563.324.6258

REGIONAL BRANCH OFFICES

- **Iowa**
Davenport
- **Louisiana**
Gonzales
Lafayette
- **Ohio**
Youngstown
- **Texas**
Beaumont
Corpus Christi
Deer Park



ABRASIVES

BLASTING

COATING

DUST COLLECTORS

ENGINEERED SYSTEMS

RENTAL

SAFETY

SERVICE & REPAIR

VACUUMS

CONTACT MARCO

800.BLAST.IT

(800.252.7848)

563.324.2519

FAX: 563.324.6258

WWW.MARCO.US

SALES@MARCO.US