



MARCO® 4-HOLE JUNIOR ABRASIVE MIXING VALVE



PART NUMBERS AND SCHEMATICS GUIDE

Company Profile

Allredi was formed in the early 2020, when two of the largest distributors in the blasting, coating, safety, and environmental industry, APE Companies and Marco Group International, joined forces. While the qualities both companies are known for have not changed, a lot about our business is new. New abilities. New agilities. New ways to help you win. This calls for a new name, Allredi.

This name exemplifies what we have become. It is completely oriented to the needs of our customers. To your needs. It says that when you call us for anything – products, service, expert advice, anything – you can consider it done. Or even better, Allredi done.

We are your right-now supplier. From skills to SKUs, we deliver the goods fast. So you can be more agile every minute, every day. This is who we are. This is what our new name means. Go ahead and expect excellence, because we're bringing it.

The Allredi Difference

- **Industry Experience** – With Allredi on your team, you have access to expertise which can only come from decades of industry leadership. We have organized our engineering department, production specialists, customer operations, and safety support into a “Center of Competence.” As an Allredi customer, you have access to hundreds of years of cumulative experience related to your operations.
- **Manufacturing Excellence** – Allredi is a U.S. based manufacturer of equipment for the Surface Preparation and Protective Coatings industries. Allredi’s engineers benchmark the industry to ensure that we design and manufacture superior products that set the “Gold Standard” for performance, safety, and quality.
- **Legendary Customer Service** – Allredi’s legendary customer service team is staffed by friendly, highly-trained individuals who are focused on providing the highest level of product support, order accuracy, and customer satisfaction.
- **Product Availability** – We stock over 10,000 SKU’s and have over 45 shipping locations to serve North American and International markets for all major brands of blasting, coating, environmental, and safety equipment. Allredi is your right-now supplier, so you can keep your projects moving. From our foundation of strong relationships, we have built a nationwide network that puts vast inventory and ready service close to our customers. We provide advanced expertise, and we deliver the goods fast – so you can easily access the products and services you need to me more agile every minute, every day.
- **Technology Leadership** – Our website provides: Operator’s Manuals, Part Numbers and Schematics Guides, SDS information, and key product features and specifications, providing access to information 24/7.

TABLE OF CONTENTS

Company Profile	2
Table of Contents	3
Marco® 4-Hole Junior Abrasive Mixing Valve	4-5
Optional Accessories	6
Maintenance Notes	7

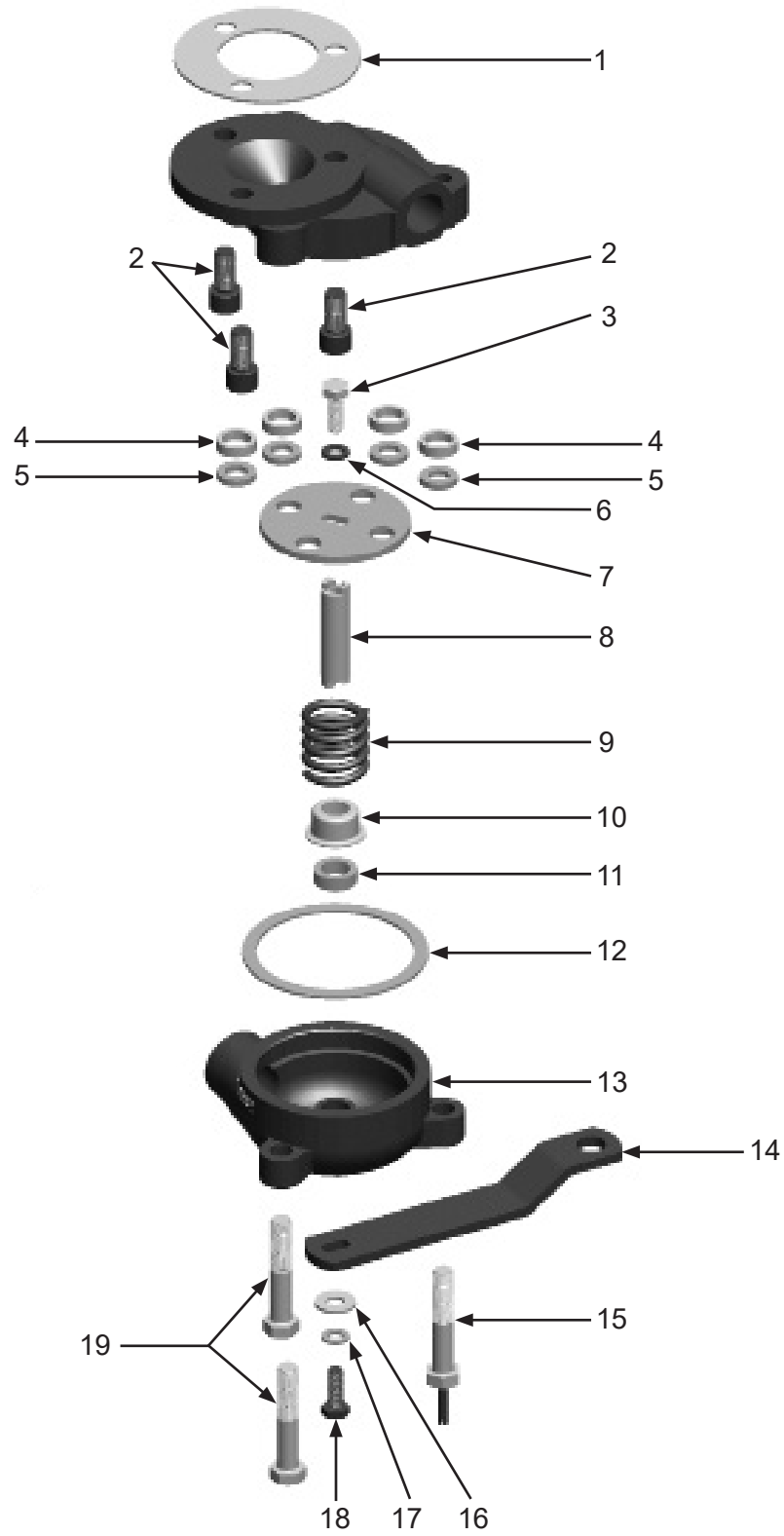
PART NUMBERS AND SCHEMATICS GUIDE

Marco® 4-Hole Junior Abrasive Mixing Valve

Item #	Part #	Description
Fig. 1		
1	10L301BG	Valve Body Gasket
2	10L805531	Socket Head Cap Screw <i>(Three Required)</i>
3	10L805302	Spindle Bolt <i>(Two Required)</i>
4	10LC25	Valve Cushion <i>(Four Required)</i>
5	10L100019	Valve Washer <i>(Four Required)</i>
6	1012153	1/4" Lock Washer <i>(Two Required)</i>
7	10L100079	Valve Plate
8	10L100083	Spindle
9	10L344	Valve Spring
10	10LC31	Spindle Packing
11	10LC32	Packing
12	10LC16	Cover Gasket
13	—	Valve Cover – 1/2" NPT <i>(No Longer Available)</i>
14	10LC4X	Valve Control Arm
15	10L303CS	Stop Pin Bolt
16	1014017	1/4" Flat Washer
17	10L805319	Cover Bolt
—	10L636A	4-Hole Jr. Service Kit <i>Includes Item #: 1, 3, 4 (Quantity of Four), 5 (Quantity of Four), 6 (Quantity of Two), 7, 8, 9, 10, 11, 12, 16,</i>
—	1091045	Hazard Identification Tag
—	106M032	Part Numbers and Schematics Guide – Marco® 4-Hole Junior Abrasive Mixing Valve
—	1090032	Operator's Manual – Marco® 4-Hole Junior Abrasive Mixing Valve

PART NUMBERS AND SCHEMATICS GUIDE

Figure 1: Marco® 4-Hole Junior Abrasive Mixing Valve

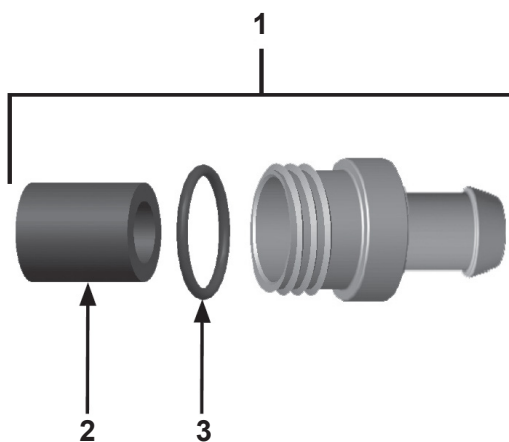


OPTIONAL ACCESSORIES

3/4" I.D. x 1-1/2" O.D. ABRASIVE BLASTING HOSE					
Part Numbers	Fabric Reinforcement	Working Pressure	Liner Thickness	Hose Cover Color	Length (Ft.)
	2-Ply		1/4" Heavy-Duty	Black	
10BH034B	X	150 PSI	X	X	50

3/4" I.D. x 1-1/2" O.D. ABRASIVE BLASTING HOSE WITH COUPLINGS INSTALLED						
Part Numbers	Fabric Reinforcement	Working Pressure	Liner Thickness	Hose Cover Color	Length (Ft.)	Steel Couplings
	2-Ply		1/4" Heavy-Duty	Black		
10L850122	X	150 PSI	X	X	25	X
10L850123	X	150 PSI	X	X	50	X

Figure 2: Coupling Assemblies



Item #	Part #	Description
--------	--------	-------------

Fig. 2

1	10L366HE	Coupling for 3/4" I.D. Abrasive Blasting Hose (Includes Item #'s: 2 and 3)
2	10L800236	Rubber Liner for 3/4" I.D. Abrasive Blasting Hose
3	10L66RR	O-Ring



ALLREDI THERE

Serving these industries: Bridge, Pipeline, Tank & Tower, Concrete Services, Rail, Shipyard & Marine, Pools & Fountains and Foundry

UNITED STATES

Pasadena, TX (*Headquarters*)
844.361.7038

Beaumont, TX
409.722.1284

Bristol, PA
215.826.8080

Corpus Christi, TX
361.887.2038

Davenport, IA
563.324.2519

Deer Park, TX
(*Service & Rental Location*)
281.930.0905

Duluth, GA
800.535.4564

Gonzales, LA
225.647.7575

Harvey, LA
504.367.8090

Houma, LA
985.580.4273

Jacksonville, FL
904.262.2120

Lafayette, LA
337.267.1440

Theodore, AL
251.338.7525

Youngstown, OH
330.448.6267

CANADA

Calgary, Alberta
403.279.1924

Coquitlam, BC
604.464.6979

Edmonton, Alberta
780.468.2588 (Manus)
780.425.5510 (Mod-U-Blast)

Hamilton, Ontario
905.527.6000 / 888.794.5665

Mississauga, Ontario
905.890.5837

Winnipeg, Manitoba
204.256.3324

800-252-7848 / WWW.ALLREDI-US.COM

Allredi™ and Marco® are registered trademarks of Allredi, LLC.
All other brand names or marks are used for identification purposes and are trademarks of their respective owners.

ALLREDI™

Literature #106M032_4/27/2022