



BLASTMASTER® 308 SERIES LED HOSE MOUNTED LIGHT



PART NUMBERS AND SCHEMATICS GUIDE

Company Profile

Since 1944, Marco has developed a strong tradition of providing innovative and reliable products and services to the surface preparation and protective coatings industries. We are the world's premier provider of Abrasives, Blasting, Coating, Dust Collectors, Engineered Systems, Rental, Safety, Service, Repair, & Modernization, and Vacuums.

Through innovative designs and a total commitment to quality, Marco manufactures products that increase production rates, create a safer workplace, and reduce maintenance costs. Marco's industry experience, manufacturing capabilities, legendary customer service, product availability, logistics services, and technology leadership is your assurance that we deliver high quality products and services, providing the best value to you, our customer.

The Marco Difference

- **Industry Experience** – With Marco on your team, you have access to expertise which can only come from decades of industry leadership. We have organized our engineering department, production specialists, customer operations, and safety support into a "Center of Competence." As a Marco customer, you have access to hundreds of years of cumulative experience related to your operations.
- **Manufacturing Excellence** – Marco is a manufacturer of equipment for the Surface Preparation and Protective Coatings industries. Marco's engineers benchmark the industry to ensure that we design and manufacture superior products that set the "Gold Standard" for performance, safety, and quality.
- **Legendary Customer Service** – Marco's legendary customer service team is staffed by friendly, highly-trained individuals who are focused on providing the highest level of product support, order accuracy, and customer satisfaction.
- **Product Availability** – We stock over 10,000 SKU's and have more than 45 shipping locations to serve North American and International markets for all major brands of blasting and coating equipment. As the largest provider of surface preparation and protective coatings equipment in the world, our inventory levels and product availability are unmatched.
- **Logistics Services** – Marco's in-house logistics team is dedicated to moving your shipment anywhere in the world. We move more than 14,000 truckloads every year, allowing you to save on freight costs by leveraging our buying power. Lower your process costs with a single invoice, which includes product and freight.
- **Technology Leadership** – Our website provides: Operator's Manuals, Part Numbers and Schematics Guides, SDS information, and Features & Specifications Guides, providing access to information 24/7. Our Extranet application allows you to receive quotes and place orders online. Our Intranet maintains a complete record of your purchase history to assist with ongoing support of your existing equipment and future purchasing decisions.

Vision Statement

Marco is the world's premier provider of Abrasives, Blasting, Coating, Dust Collectors, Engineered Systems, Rental, Safety, Service, Repair, & Modernization, and Vacuums.

Mission Statement

Marco provides strong leadership and innovation to the surface preparation and protective coatings industries. We dedicate our efforts to the continuous improvement of our products, services, processes, people, and most importantly, the quality of our customer's experience.

Quality Statement

Marco is committed to providing superior quality in the design, manufacturing, distribution, rental, service, and repair of our products. Continuous improvement of our processes and supply chain Integration comprise the core of our business strategy for delivering exceptional quality and value in all Marco products and services.

Management Philosophy

We are a company dedicated to the success of every customer and associate. We discuss, debate, challenge, measure, and test our ideas. We will be boundless and limitless in our passion to improve. Through sound leadership and dedicated associates, we will ensure a long term, profitable future for Marco, our associates, customers, and suppliers.

TABLE OF CONTENTS

Company Profile	1
Part Numbers	3
Part Numbers and Schematics	5
Blastmaster® 308 Series LED Hose Mounted Light with 120-Volt AC Power Pack	5
Blastmaster® 308 Series LED Hose Mounted Light 12-Volt DC	7
Blastmaster® 308 Series LED Hose Mounted Light 10' 12-Volt DC (No Battery Clamps)	9
OPTIONAL ACCESSORIES	10

PART NUMBERS

BLASTMASTER® 308 SERIES LED HOSE MOUNTED LIGHT

Part Numbers	Length of 16/2 Xtreme-Duty Cord	120-Volt AC Power Pack	12-Volt DC	Light Stanchion	Body Material
1030840	25 Ft.	X		X	Aluminum
1030841	50 Ft.	X		X	Aluminum
1030842	100 Ft.	X		X	Aluminum
1030843	150 Ft.	X		X	Aluminum
1030844	200 Ft.	X		X	Aluminum
1030845	250 Ft.	X		X	Aluminum
1030846	300 Ft.	X		X	Aluminum
*1030830	10 Ft.		*X		Aluminum
1030836	50 Ft.		X	X	Aluminum
1030833	100 Ft.		X	X	Aluminum
1030834	150 Ft.		X	X	Aluminum
1030835	200 Ft.		X	X	Aluminum

* 1030830 - Blastmaster® 308 Series LED Hose Mounted Light with 10 Feet of 16/2 Xtreme-Duty Electrical Cord 12-Volt DC - Does NOT include Battery Clamps.

PART NUMBERS



1030841



1030833

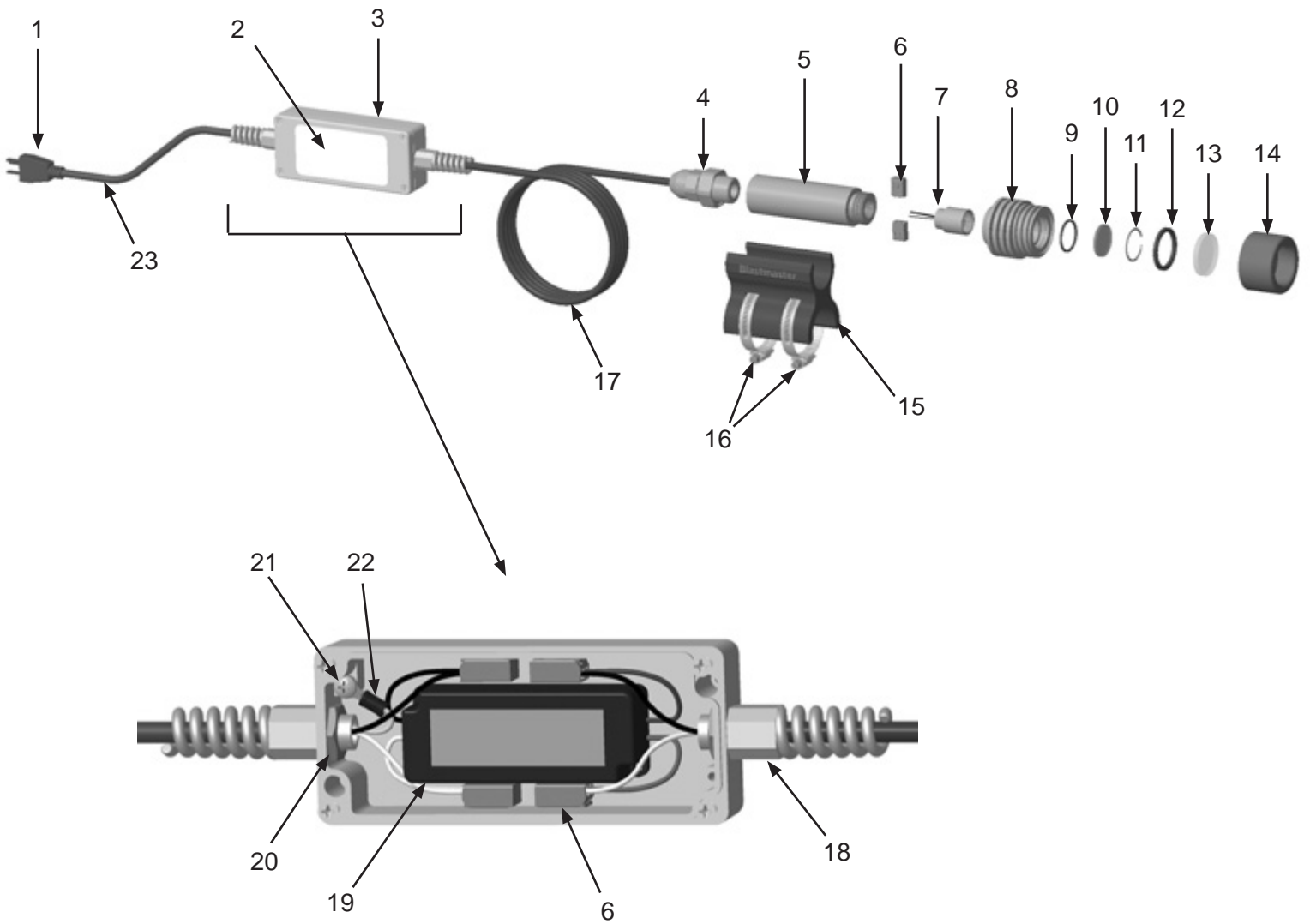
PART NUMBERS AND SCHEMATICS

Blastmaster® 308 Series LED Hose Mounted Light with 120-Volt AC Power Pack

Item #	Part #	Description
Fig. 1		
—	1030840	Blastmaster® 308 Series LED Hose Mounted Light with 25 Feet of 16/2 Xtreme-Duty Electrical Cord and 120-Volt AC Power Pack — Complete
—	1030841	Blastmaster® 308 Series LED Hose Mounted Light with 50 Feet of 16/2 Xtreme-Duty Electrical Cord and 120-Volt AC Power Pack — Complete
—	1030842	Blastmaster® 308 Series LED Hose Mounted Light with 100 Feet of 16/2 Xtreme-Duty Electrical Cord and 120-Volt AC Power Pack — Complete
—	1030843	Blastmaster® 308 Series LED Hose Mounted Light with 150 Feet of 16/2 Xtreme-Duty Electrical Cord and 120-Volt AC Power Pack — Complete
—	1030844	Blastmaster® 308 Series LED Hose Mounted Light with 200 Feet of 16/2 Xtreme-Duty Electrical Cord and 120-Volt AC Power Pack — Complete
—	1030845	Blastmaster® 308 Series LED Hose Mounted Light with 250 Feet of 16/2 Xtreme-Duty Electrical Cord and 120-Volt AC Power Pack — Complete
—	1030846	Blastmaster® 308 Series LED Hose Mounted Light with 300 Feet of 16/2 Xtreme-Duty Electrical Cord and 120-Volt AC Power Pack — Complete
1	1030026	120-Volt AC Plug - Male - 3 Prong
2	1091141	Hazard Identification Decal
3	10105221	Nema 4X Enclosure
4	1030822	3/4" NPT Aluminum Cord Grip
5	1030816	308 LED Light Body
6	1030823	Wire Splice (<i>Six Required</i>)
7	1030818	308 LED Light Module
8	1030815	308 LED Light Head
9	1030819	Lens O-Ring
10	1030820	308 LED Light Inner Lens
11	1030821	1-1/4" Internal Retaining Ring
12	1030812	Lens O-Ring
13	1030017	Blastmaster® 300, 301, and 308 Lenses (<i>Package of 12</i>)
14	1030808	308 LED Light Collar
15	1030019	Light Stanchion (<i>Includes Item #16</i>)
16	10106970	Hose Clamp - Screw Type (<i>Two Required</i>)
17	1015540	16/2 Xtreme-Duty Power Cord (<i>Per Foot</i>)
18	1030710	3/8" Strain Relief (<i>Two Required</i>)
19	10105396	12VDC-1A Power Supply
20	10105910	3/8" Electrical Steel Lock Nut (<i>Two Required</i>)
21	10107244	8-32 x 1/4" Pan Head Screw
22	10104046	Ring Terminal
23	10105492	120-Volt AC Plug - Male - 3 Prong 8' Power Cord (<i>Includes Item #1</i>)
—	1091017	Hazard Identification Tag
—	106M180	Part Numbers and Schematics Guide – Blastmaster® 308 Series LED Hose Mounted Light
—	1090180	Operator's Manual – Blastmaster® 308 Series LED Hose Mounted Light

PART NUMBERS AND SCHEMATICS

Figure 1: Blastmaster® 308 Series LED Hose Mounted Light with 120-Volt AC Power Pack



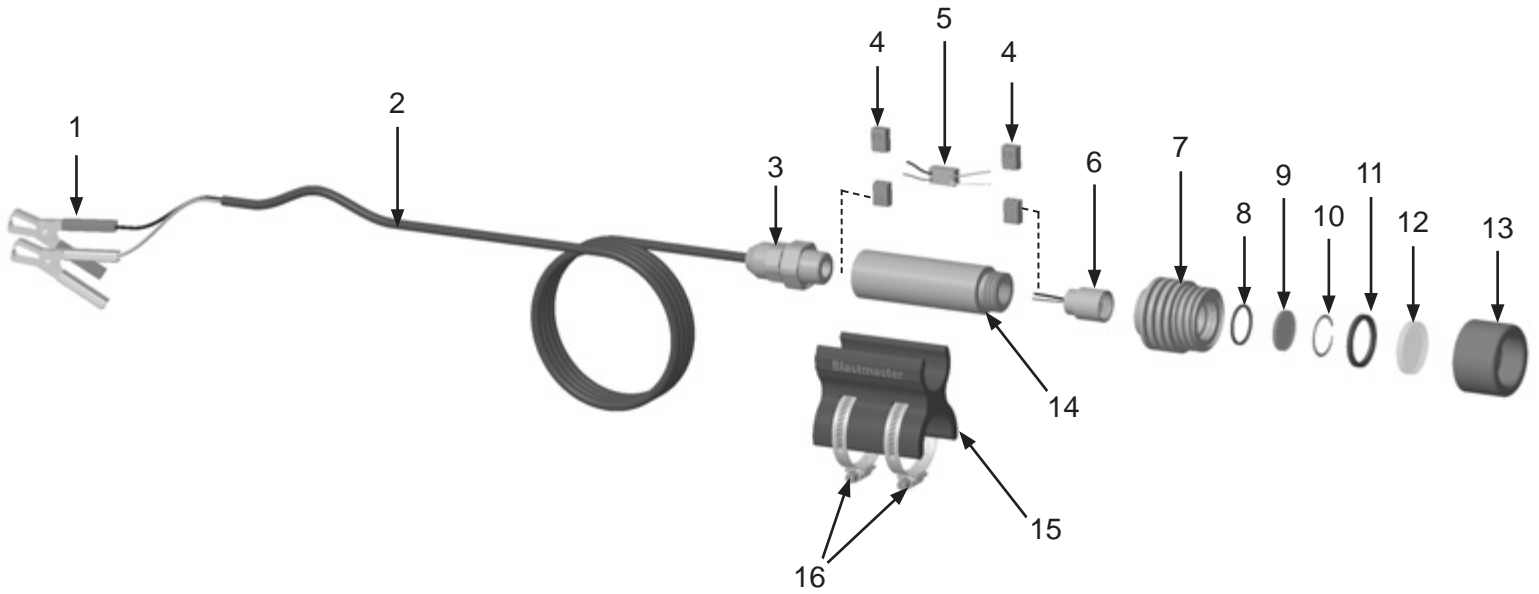
PART NUMBERS AND SCHEMATICS

Blastmaster® 308 Series LED Hose Mounted Light – 12-Volt DC

Item #	Part #	Description
Fig. 2		
—	1030836	Blastmaster® 308 Series LED Hose Mounted Light with 50 Feet of 16/2 Xtreme-Duty Electrical Cord – 12-Volt DC — Complete
—	1030833	Blastmaster® 308 Series LED Hose Mounted Light with 100 Feet of 16/2 Xtreme-Duty Electrical Cord – 12-Volt DC — Complete
—	1030834	Blastmaster® 308 Series LED Hose Mounted Light with 150 Feet of 16/2 Xtreme-Duty Electrical Cord – 12-Volt DC — Complete
—	1030835	Blastmaster® 308 Series LED Hose Mounted Light with 200 Feet of 16/2 Xtreme-Duty Electrical Cord – 12-Volt DC — Complete
1	1030718	Battery Clamps - Pair
2	1015540	16/2 Xtreme-Duty Power Cord (<i>Per Foot</i>)
3	1030822	3/4" NPT Aluminum Cord Grip
4	1030823	Wire Splice (<i>Four Required</i>)
5	10108843	1 AMP 9-36V DC LED Driver
6	1030818	308 LED Light Module
7	1030815	308 LED Light Head
8	1030819	Lens O-Ring
9	1030820	308 LED Light Inner Lens
10	1030821	1-1/4" Internal Retaining Ring
11	1030812	Lens O-Ring
12	1030017	Blastmaster® 300, 301, and 308 Lenses (<i>Package of 12</i>)
13	1030808	308 LED Light Collar
14	1030816	308 LED Light Body
15	1030019	Light Stanchion (<i>Includes Item #16</i>)
16	10106970	Hose Clamp - Screw Type (<i>Two Required</i>)
—	1091017	Hazard Identification Tag
—	106M180	Part Numbers and Schematics Guide – Blastmaster® 308 Series LED Hose Mounted Light
—	1090180	Operator's Manual – Blastmaster® 308 Series LED Hose Mounted Light

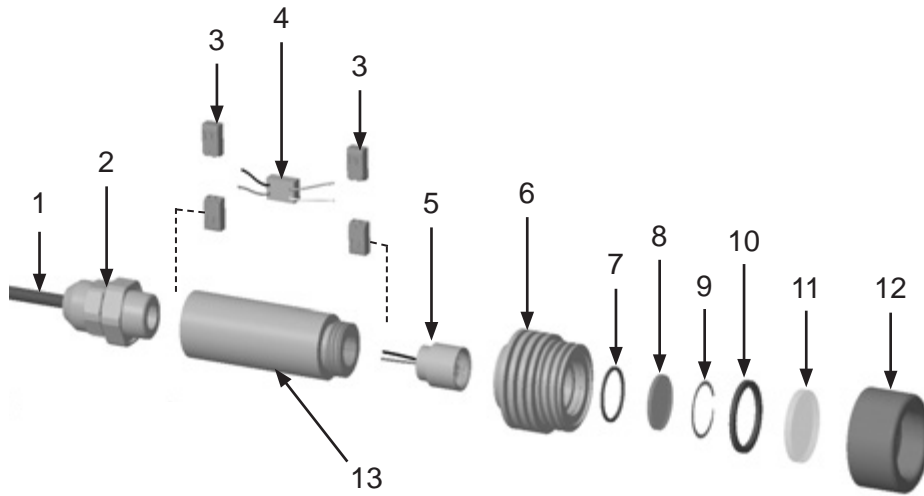
PART NUMBERS AND SCHEMATICS

Figure 2: Blastmaster® 308 Series LED Hose Mounted Light – 12-Volt DC



PART NUMBERS AND SCHEMATICS

Figure 3: Blastmaster® 308 Series LED Hose Mounted Light – 12-Volt DC



Item #	Part #	Description
Fig. 3		
—	1030830	Blastmaster® 308 Series LED Hose Mounted Light with 10 Feet of 16/2 Xtreme-Duty Electrical Cord – 12-Volt DC <i>(Does not include Battery Clamps, Stanchion, Hose Clamps)</i>
1	1015540	16/2 Xtreme-Duty Power Cord <i>(Per Foot)</i>
2	1030822	3/4" NPT Aluminum Cord Grip
3	1030823	Wire Splice <i>(Four Required)</i>
4	10108843	1 AMP 9-36V DC LED Driver
5	1030818	308 LED Light Module
6	1030815	308 LED Light Head
7	1030819	Lens O-Ring
8	1030820	308 LED Light Inner Lens
9	1030821	1-1/4" Internal Retaining Ring
10	1030812	Lens O-Ring
11	1030017	Blastmaster® 300, 301, and 308 Lenses <i>(Package of 12)</i>
12	1030808	308 LED Light Collar
13	1030816	308 LED Light Body
—	1091017	Hazard Identification Tag

OPTIONAL ACCESSORIES



Part
Numbers

ELECTRICAL CORD WITH PLUGS					
	Gauge	# of Wires	Type	Plugs	Length
10106185	16	2	SJ	1070685 & 10103194	50 Ft.
10106186	16	2	SJ	1070685 & 10103194	100 Ft.

CONTACT CENTER

- 3425 East Locust Street
Davenport, IA 52803

ph: 800.BLAST.IT (800.252.7848)
ph: 563.324.2519
fax: 563.324.6258

REGIONAL BRANCH OFFICES

- Iowa
Davenport
- Louisiana
Gonzales
Lafayette
- Ohio
Youngstown
- Texas
Beaumont
Corpus Christi
Deer Park

40+ NATIONWIDE SHIPPING LOCATIONS



★ Marco Regional Branch Offices and Shipping Locations ● Direct Shipping Locations



ABRASIVES
BLASTING
COATING
DUST COLLECTION
RENTAL & SERVICE
SAFETY
VACUUMS

CONTACT MARCO

800.BLAST.IT
(800.252.7848)
563.324.2519
FAX: 563.324.6258

WWW.MARCO.US
SALES@MARCO.US