



# BLASTMASTER<sup>®</sup> 250 CFM CART-MOUNTED AFTERCOOLER



**BUILT MARCO TOUGH**  
MARCO MANUFACTURED

**PART NUMBERS AND SCHEMATICS GUIDE**

## Company Profile

Since 1944, Marco has developed a strong tradition of providing innovative and reliable products and services to the surface preparation and protective coatings industries. We are the world's premier provider of Abrasives, Blasting Equipment, Coating Equipment, Engineered Systems, Rental Equipment, Safety Equipment, Service, and Repair.

Through innovative designs and a total commitment to quality, Marco manufactures products that increase production rates, create a safer workplace, and reduce maintenance costs. Marco's industry experience, manufacturing capabilities, legendary customer service, product availability, logistics services, and technology leadership is your assurance that we deliver high quality products and services, providing the best value to you, our customer.

## The Marco Difference

- **Industry Experience** – With Marco on your team, you have access to expertise which can only come from decades of industry leadership. We have organized our engineering department, production specialists, customer operations, and safety support into a “Center of Competence.” As a Marco customer, you have access to hundreds of years of cumulative experience related to your operations.
- **Manufacturing Excellence** – Marco is a U.S. based, ISO 9001:2008 certified manufacturer of equipment for the Surface Preparation and Protective Coatings industries. Marco's engineers benchmark the industry to ensure that we design and manufacture superior products that set the “Gold Standard” for performance, safety, and quality.
- **Legendary Customer Service** – Marco's legendary customer service team is staffed by friendly, highly-trained individuals who are focused on providing the highest level of product support, order accuracy, and customer satisfaction.
- **Product Availability** – We stock over 10,000 SKU's and have over 45 shipping locations to serve North American and International markets for all major brands of blasting and painting equipment. As the largest provider of surface preparation and protective coatings equipment in the world, our inventory levels and product availability are unmatched.
- **Logistics Services** – Marco's in-house logistics team is dedicated to moving your shipment anywhere in the world. We move over 14,000 truckloads every year, allowing you to save on freight costs by leveraging our buying power. Lower your process costs with a single invoice, which includes product and freight.
- **Technology Leadership** – Our website provides: Operator's Manuals, Part Numbers and Schematics Guides, MSDS information, and Features and Specifications Guides, providing access to information 24/7. Our Extranet application allows you to receive quotes and place orders online. Our Intranet maintains a complete record of your purchase history to assist with ongoing support of your existing equipment and future purchasing decisions.

## Vision Statement

Marco is the world's premier provider of Abrasives, Blasting Equipment, Coating Equipment, Engineered Systems, Rental Equipment, Safety Equipment, Service, and Repair.

## Mission Statement

Marco provides strong leadership and innovation to the surface preparation and protective coatings industries. We dedicate our efforts to the continuous improvement of our products, services, processes, people, and most importantly, the quality of our customer's experience.

## Quality Statement

Marco is committed to providing superior quality in the design, manufacturing, distribution, rental, service, and repair of our products. Our ISO 9001:2008 certification extends throughout all operations in all locations. Continuous improvement of our processes and supply chain Integration comprise the core of our business strategy for delivering exceptional quality and value in all Marco products and services.

## Management Philosophy

We are a company dedicated to the success of every customer and associate. We discuss, debate, challenge, measure, and test our ideas. We will be boundless and limitless in our passion to improve. Through sound leadership and dedicated associates, we will ensure a long term, profitable future for Marco, our associates, customers, and suppliers.

# TABLE OF CONTENTS

<b>Company Profile</b> .....	2
<b>Table of Contents</b> .....	3
<b>Part Numbers</b> .....	4
<b>Specifications</b> .....	5
<b>Part Numbers and Schematics</b> .....	6-13
Blastmaster® 250 CFM Cart Mounted Aftercooler—Pneumatic .....	6-7
Blastmaster® 250 CFM Cart Mounted Aftercooler—Electric .....	8-9
Aftercooler Assembly—Pneumatic .....	10
Aftercooler Assembly—Electric .....	11
Air Regulator/Lubricator .....	12
1-1/4" Junior Extractor Moisture Separator Assembly .....	13
<b>Optional Accessories</b> .....	14
<b>Maintenance Notes</b> .....	15

## PART NUMBERS

### BLASTMASTER® 250 CFM CART MOUNTED AFTERCOOLER

	Inlet			Outlet					
	Inlet Quantity	Inlet Size	Fittings	Outlet Quantity	Outlet Size	Fittings			
Part Numbers	Inlet Quantity	Inlet Size	Fittings	Outlet Quantity	Outlet Size	Fittings	Power Source	Filter, Regulator, and Lubricator	Electric Starter Box
<b>10101341</b>	1	1-1/4"	Included	1	1-1/2"	Included	Pneumatic	Included	Not Included
<b>10101737</b>	1	1-1/4"	Included	1	1-1/2"	Included	115-Volt AC	Not Included	Included
<b>10108812</b>	1	1-1/4"	Included	1	1-1/2"	Included	230-Volt AC	Not Included	Included

\* Inlet fittings include 1-1/4" 4-Lug Female Coupling. Outlet fittings include 1-1/2" 4-Lug Female Coupling.



**Blastmaster® 250 CFM Cart-Mounted  
Aftercooler – Pneumatic**



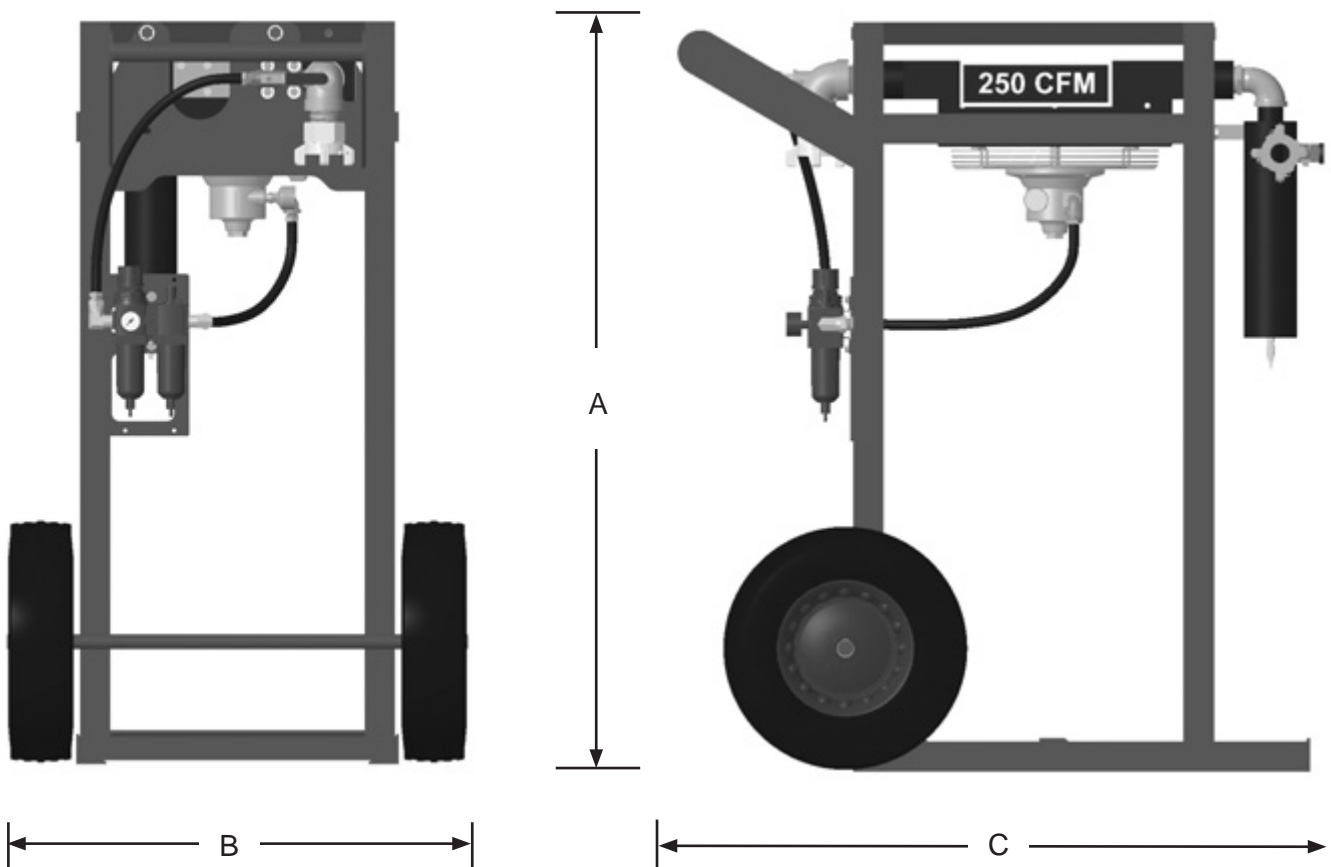
**Blastmaster® 250 CFM Cart-Mounted  
Aftercooler – Electric**

# SPECIFICATIONS

**Lubrication:** SAE 10 oil or Air Tool Anti-freeze Lubricant

**Empty Weight:** 300 Pounds

**Overall Dimensions:** A: 49 1/4"  
B: 30 1/2"  
C: 42 1/2"



Pneumatic model shown, Electric model is has same dimensions.

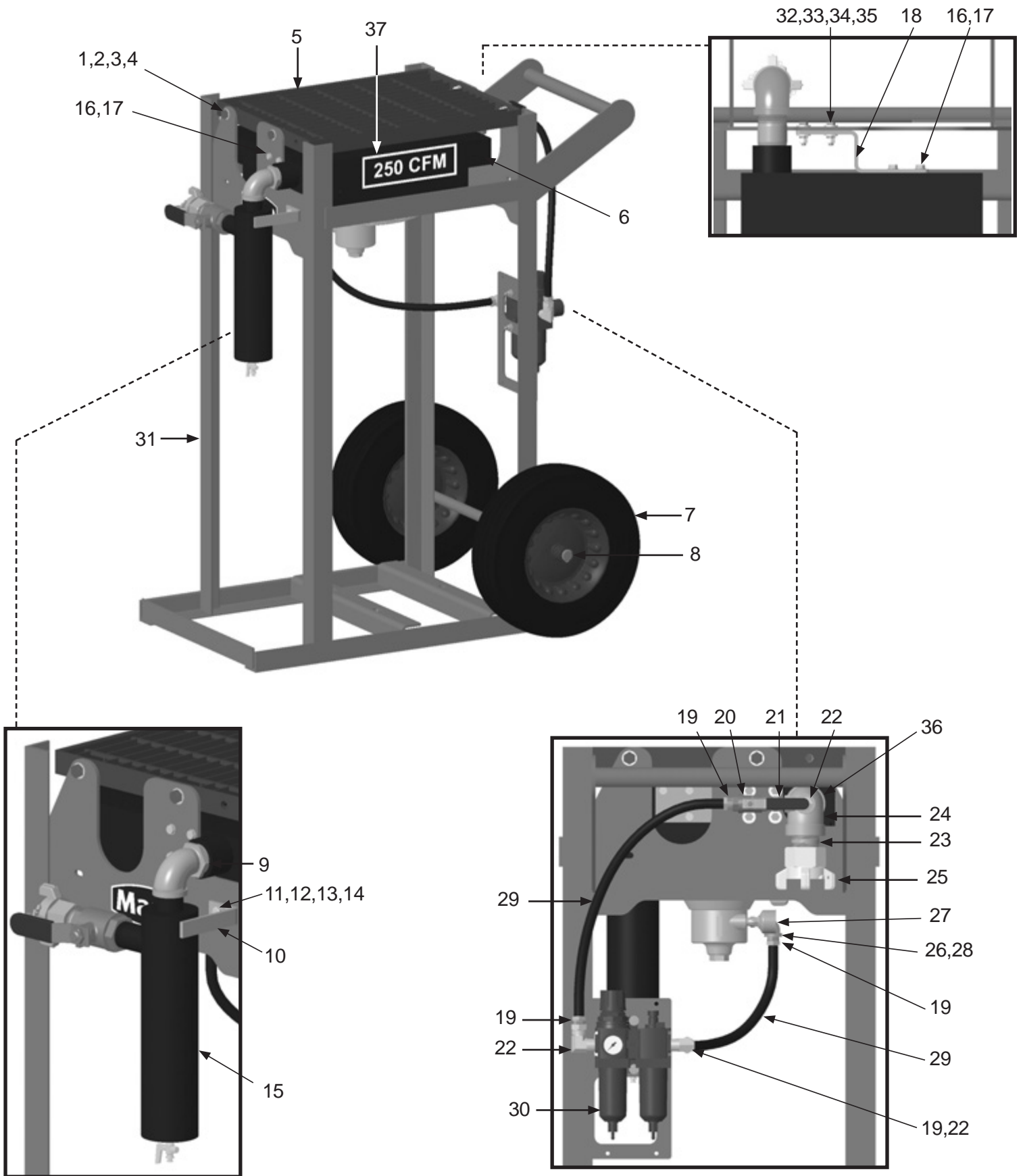
## PART NUMBERS AND SCHEMATICS

### Blastmaster® 250 CFM Cart Mounted Aftercooler – Pneumatic

Item #	Part #	Description
<b>Fig. 1</b>		
—	<b>10101341</b>	<b>Blastmaster® 250 CFM Cart-Mounted Aftercooler – Pneumatic – Complete</b>
1	10101943	1/2-13 x 1-3/4" Hex Bolt ( <i>Four Required</i> )
2	10100674	1/2" Flat Washer ( <i>Eight Required</i> )
3	10100675	1/2" Split Lock Washer ( <i>Four Required</i> )
4	10101941	1/2-13 Hex Nut ( <i>Four Required</i> )
5	10101271	Aftercooler Protective Grate
6	10AKGCC2002	250 CFM Aftercooler – Pneumatic – Complete ( <i>see Fig. 3</i> )
7	1006064	Wheel ( <i>Two Required</i> )
8	1006205	Wheel Clip ( <i>Four Required</i> )
9	1011501	1-1/2" to 1-1/4" NPT Bushing
10	10108980	Moisture Separator Stop Bracket
11	10101059	3/8-16 x 1-1/4" Hex Bolt
12	10101942	3/8" Flat Washer ( <i>Two Required</i> )
13	10101938	3/8-16 Hex Nut
14	10L805015	3/8" Galvanized Lock Washer
15	—	1-1/4" Junior Extractor Moisture Separator Assembly ( <i>See Fig. 6</i> )
16	10106878	M8 x 1.25 x 20MM Bolt ( <i>Eight Required</i> )
17	1014017	1/4" Flat Washer ( <i>12 Required</i> )
18	10108979	Adapter Bracket
19	10PAF050	1/2" Push-on Air Hose Fitting ( <i>Four Required</i> )
20	10L363	1/2" NPT Full Port Ball Valve
21	20100677	1/2" NPT Hex Nipple
22	10SAP1290	1/2" NPT 90° Swivel ( <i>Three Required</i> )
23	1014015	1-1/2" NPT Close Nipple
24	1011828	1-1/2" NPT Elbow with 1/2" Port
25	10ME4	1-1/2" Four-lug Air Fitting
26	1017019	1/4" NPT Hex Nipple
27	10101784	Muffler
28	10101185	1/2" x 1/4" NPT 90° Elbow
29	10AH012	1/2" I.D. Air Hose ( <i>Per Foot</i> )
30	10101232	Air Regulator/Lubricator with Pressure Gauge ( <i>See Fig. 5</i> )
31	10108972	Frame
32	1014019	5/16-18 x 1-1/4" Hex Bolt ( <i>Four Required</i> )
33	10L805003	5/16" Flat Washer ( <i>Eight Required</i> )
34	10L805014	5/16" Lock Washer ( <i>Four Required</i> )
35	1035046	5/16-18 Nut ( <i>Four Required</i> )
36	1011203	1-1/2" x 3" Nipple
37	1094539	250 CFM Decal ( <i>Two Required</i> )
—	1091017	Hazard Identification Tag
—	106M097	Part Numbers and Schematics Guide – Blastmaster® 250 CFM Cart-Mounted Aftercooler
—	1090097	Operator's Manual – Blastmaster® 250 CFM Cart-Mounted Aftercooler

# PART NUMBERS AND SCHEMATICS

Figure 1: Blastmaster® 250 CFM Cart Mounted Aftercooler – Pneumatic



## PART NUMBERS AND SCHEMATICS

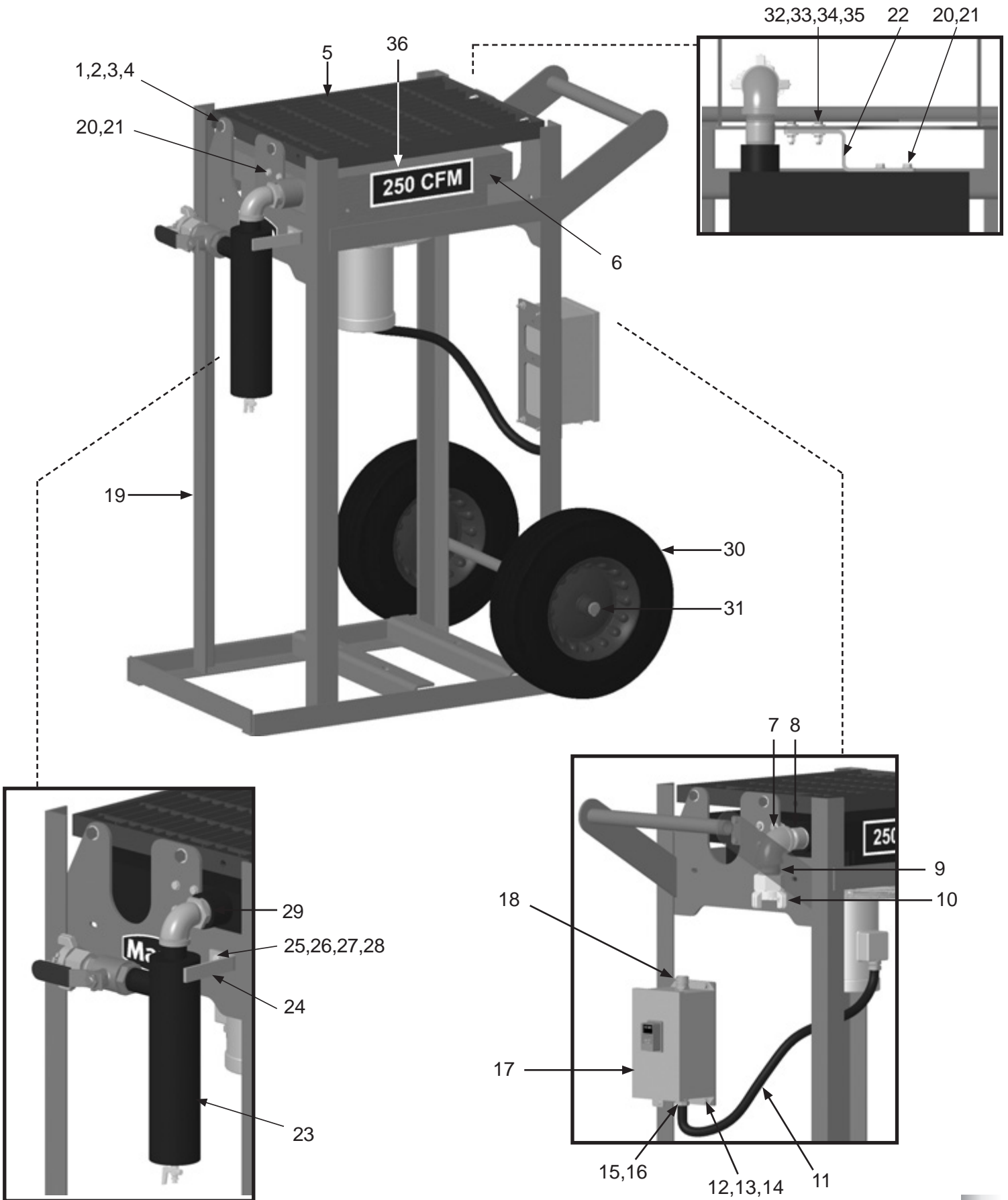
### Blastmaster® 250 CFM Cart Mounted Aftercooler – Electric

Item #	Part #	Description
<b>Fig. 2</b>		
—	<b>10101737</b>	<b>Blastmaster® 250 CFM Cart-Mounted Aftercooler – 115-Volt Electric</b>
—	<b>10108812</b>	<b>Blastmaster® 250 CFM Cart-Mounted Aftercooler – 230-Volt Electric</b>
1	10101943	1/2-13 x 1-3/4" Hex Bolt <i>(Four Required)</i>
2	10100674	1/2" Flat Washer <i>(Eight Required)</i>
3	10100675	1/2" Split Lock Washer <i>(Four Required)</i>
4	10101941	1/2-13 Hex Nut <i>(Four Required)</i>
5	10101271	Aftercooler Protective Grate
6	10AKGCC2001	250 CFM Aftercooler—Electric—Complete <i>(see Fig. 4)</i>
7	1011842	1-1/2" NPT 90° Elbow
8	1011203	1-1/2" x 3" Nipple
9	1014015	1-1/2" NPT Close Nipple
10	10ME4	1-1/2" Four-Lug Air Fitting
11	20RSEL050UL	1/2" UL/UA Seal-Tite Conduit <i>(Per Foot)</i>
12	1012154	1/4-20 x 1" Hex Bolt Zinc <i>(Four Required)</i>
13	1014017	1/4" Flat Washer Zinc <i>(16 Required)</i>
14	10101939	1/4-20 Hex Lock Nut <i>(Four Required)</i>
15	20RST50	1/2" Straight Conduit Connector <i>(Two Required)</i>
16	10108844	3/4" x 1/2" Reducing Washer <i>(Two Required)</i>
17	10101760	115-Volt AC Motor Starter Box – Single Phase
18	20101299	3/4" NPT Cord Grip
19	10108972	Frame
20	10106878	M8 x 1.25 x 20MM Bolt <i>(Eight Required)</i>
21	1014017	1/4" Flat Washer <i>(12 Required)</i>
22	10108979	Adapter Bracket
23	—	1-1/4" Junior Extractor Moisture Separator Assembly <i>(See Fig. 6)</i>
24	10108980	Moisture Separator Stop Bracket
25	10101059	3/8-16 x 1-1/4" Hex Bolt
26	10101942	3/8" Flat Washer <i>(Two Required)</i>
27	10101938	3/8-16 Hex Nut
28	10L805015	3/8" Lock Washer
29	1011501	1-1/2" to 1-1/4" NPT Bushing
30	1006064	Wheel <i>(Two Required)</i>
31	1006205	Wheel Clip <i>(Four Required)</i>
32	1014019	5/16-18 x 1-1/4" Hex Bolt <i>(Four Required)</i>
33	10L805003	5/16" Flat Washer <i>(Eight Required)</i>
34	10L805014	5/16" Lock Washer <i>(Four Required)</i>
35	1035046	5/16-18 Nut <i>(Four Required)</i>
36	1094539	250 CFM Decal <i>(Two Required)</i>
—	10108795	Thermal Unit - Full Load Current 6.36 - 7.08 Amps <i>(For use with 10101737)</i>
—	10108737	Thermal Unit - Full Load Current 3.38 - 3.94 Amps <i>(For use with 10108812)</i>
—	1091017	Hazard Identification Tag
—	106M097	Part Numbers and Schematics Guide – Blastmaster® 250 CFM Cart-Mounted Aftercooler
—	1090097	Operator's Manual – Blastmaster® 250 CFM Cart-Mounted Aftercooler



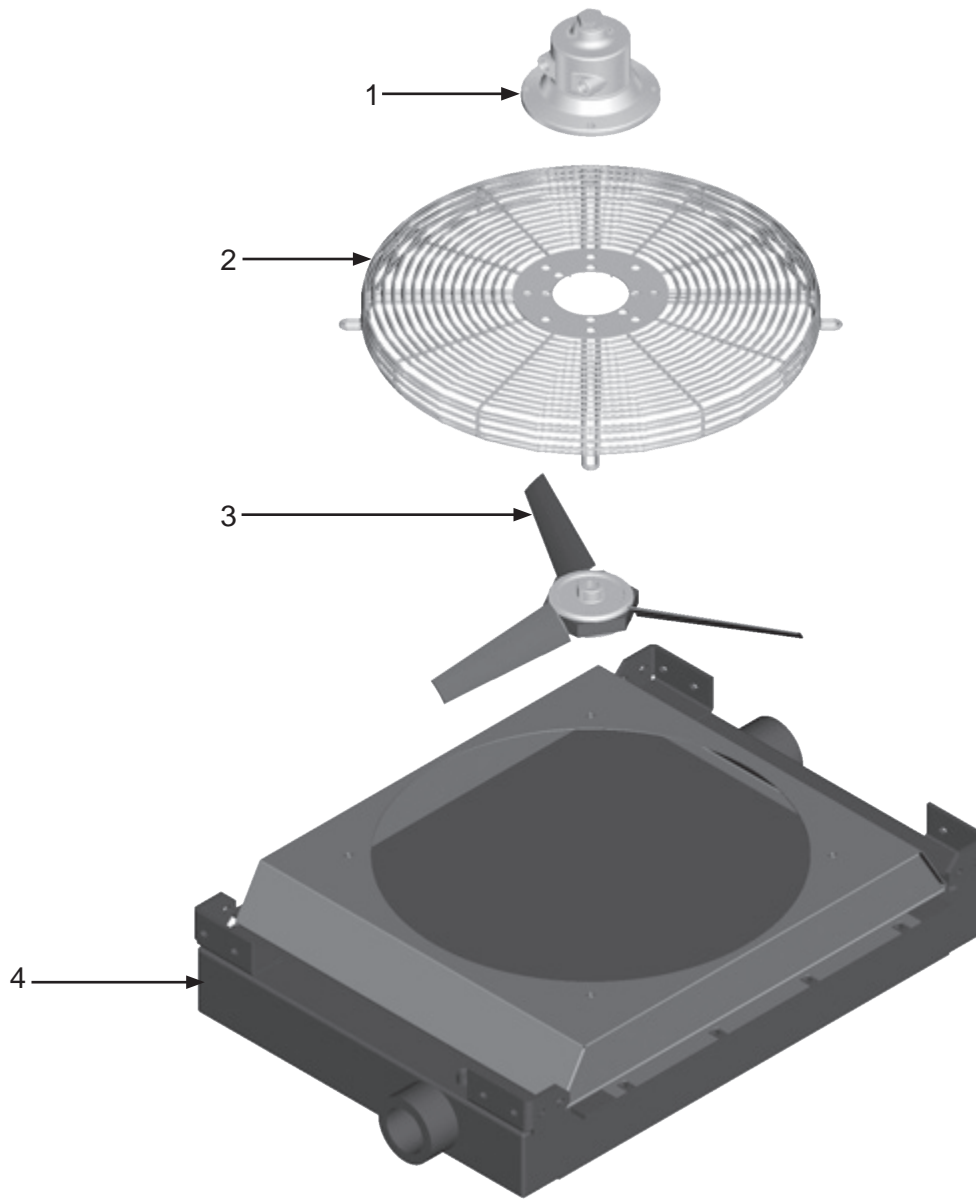
# PART NUMBERS AND SCHEMATICS

Figure 2: Blastmaster® 250 CFM Cart Mounted Aftercooler – Electric



## PART NUMBERS AND SCHEMATICS

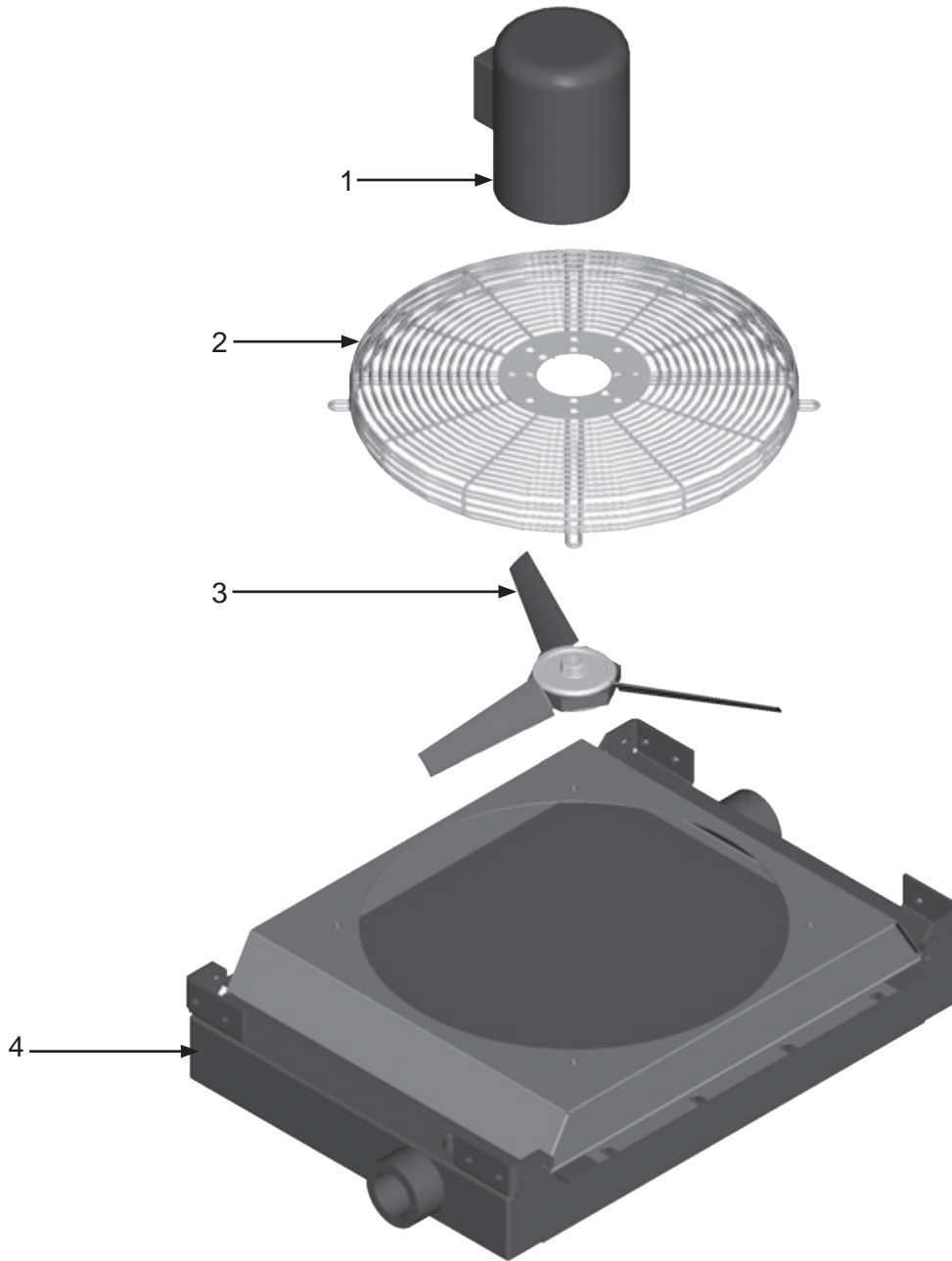
Figure 3: Aftercooler Assembly – Pneumatic



Item #	Part #	Description
<b>Fig. 3</b>		
—	<b>10AKGCC2002</b>	<b>250 CFM Aftercooler—Pneumatic—Complete</b>
1	10101780	Air Motor
2	10101783	Fan Guard
3	10101782	Fan Blade Assembly
4	10101779	Aftercooler Core
—	10101784	Muffler for Air Motor
—	10101781	Air Motor Service Kit <i>Includes: Shaft Seal, Drive End Bearing, Dead End Bearing, Vanes (Quantity of Four), Push Pins (Quantity of Four), Vane Springs (Quantity of Four), Shim, End Cap Gasket, Muffler Cartridge, and Muffler Felt</i>

## PART NUMBERS AND SCHEMATICS

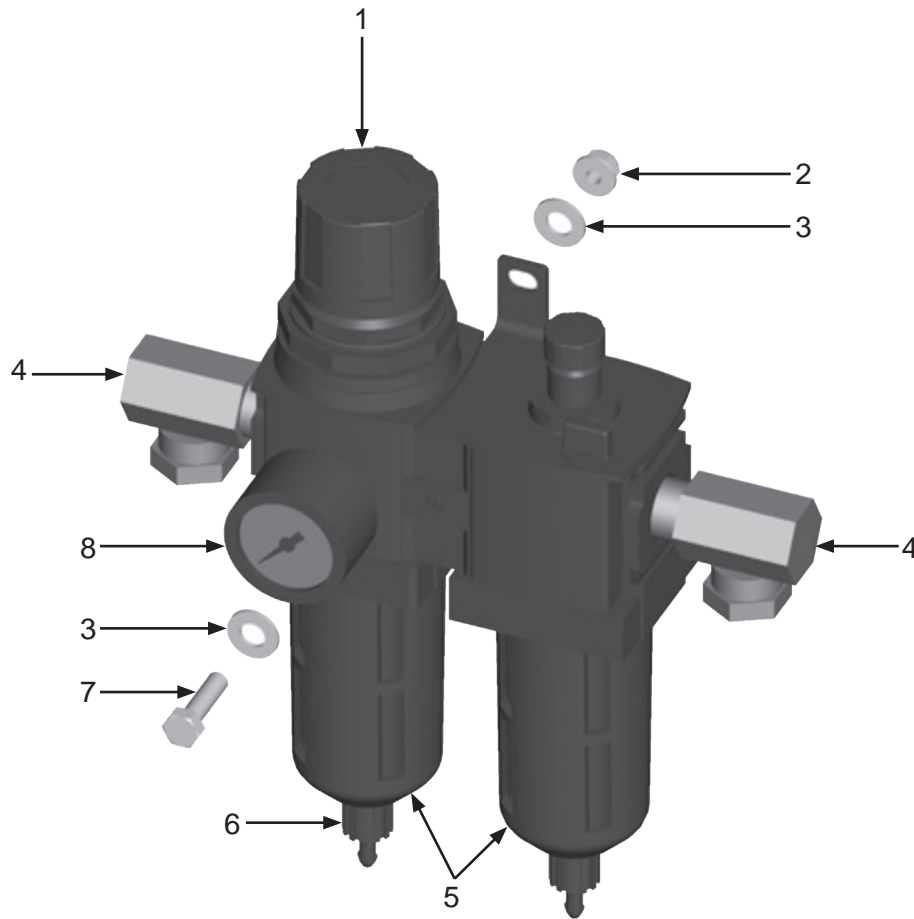
Figure 4: Aftercooler Assembly – Electric



Item #	Part #	Description
<b>Fig. 4</b>		
—	<b>10AKGCC2001</b>	<b>250 CFM Aftercooler—Electric—Complete</b>
1	10101785	Electric Motor – (115 Volt to 208-230 Volt) – Single Phase
2	10101783	Fan Guard
3	10101782	Fan Blade Assembly
4	10101779	Aftercooler - Core Only

## PART NUMBERS AND SCHEMATICS

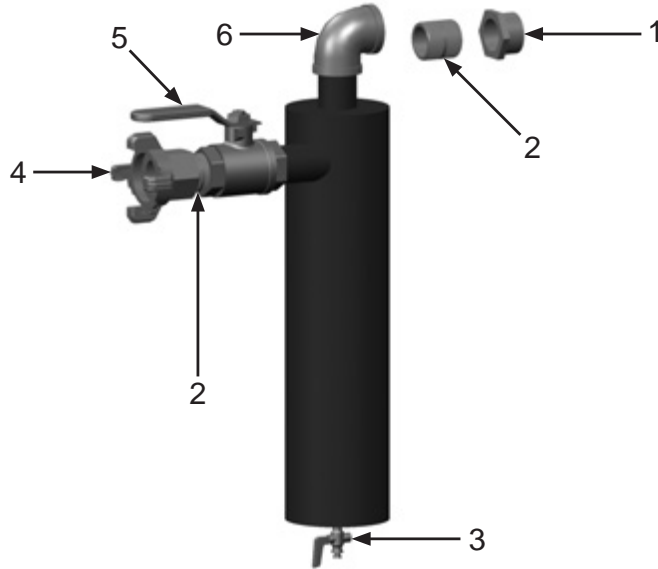
Figure 5: Air Regulator/Lubricator



Item #	Part #	Description
<b>Fig. 5</b>		
1	10101232	Filter/Regulator/Lubricator with Pressure Gauge
2	10101939	1/4-20 Hex Lock Nut ( <i>Two Required</i> )
3	1014017	1/4" Flat Washer ( <i>Four Required</i> )
4	10SAP1290	1/2" 90° Swivel ( <i>Two Required</i> )
5	10101235	Polycarbonate Bowl ( <i>Two Required</i> )
6	10101234	Manual Drain
7	101012154	1/4-20 x 1" Bolt ( <i>Two Required</i> )
8	1028606	Pressure Gauge – 0-160 PSI 1/4" – Back Mount
–	10101233	Filter Element
–	1070517	Pneumatic Air Tool Oil–32 oz. bottle

## PART NUMBERS AND SCHEMATICS

Figure 6: 1-1/4" Junior Extractor Moisture Separator Assembly



Item #	Part #	Description
Fig. 6		
—	<b>10101314</b>	<b>Blastmaster® 1-1/4" Junior Extractor Moisture Separator</b>
1	1011501	1-1/2" x 1-1/4" Bushing
2	1011201	1-1/4" NPT Close Nipple ( <i>Two Required</i> )
3	1012101	1/4" NPT Brass Petcock
4	10ME3	4-lug Air Hose Fitting - 1-1/4" NPT (F)
5	1011602	1-1/4" NPT Full Port Ball Valve
6	1006204	1-1/4" NPT 90° Elbow
—	106M349	Part Numbers and Schematics Guide – Blastmaster® Extractor Moisture Separators

## OPTIONAL ACCESSORIES

<b>Part Numbers</b>	<b>LUBRICATION</b>
1070517	Pneumatic Air Tool Oil - 32 oz. bottle



