



# **BLASTMASTER® 20 CU. FT. ABRASIVE BLASTING POTS**



**PART NUMBERS AND SCHEMATIC GUIDE**

## Company Profile

Since 1944, Marco has developed a strong tradition of providing innovative and reliable products and services to the surface preparation and protective coatings industries. We are the world's premier provider of Abrasives, Blasting, Coating, Dust Collectors, Engineered Systems, Rental, Safety, Service, Repair, & Modernization, and Vacuums.

Through innovative designs and a total commitment to quality, Marco manufactures products that increase production rates, create a safer workplace, and reduce maintenance costs. Marco's industry experience, manufacturing capabilities, legendary customer service, product availability, logistics services, and technology leadership is your assurance that we deliver high quality products and services, providing the best value to you, our customer.

## The Marco Difference

- **Industry Experience** – With Marco on your team, you have access to expertise which can only come from decades of industry leadership. We have organized our engineering department, production specialists, customer operations, and safety support into a “Center of Competence.” As a Marco customer, you have access to hundreds of years of cumulative experience related to your operations.
- **Manufacturing Excellence** – Marco is a U.S. based, ISO 9001:2008 certified manufacturer of equipment for the Surface Preparation and Protective Coatings industries. Marco's engineers benchmark the industry to ensure that we design and manufacture superior products that set the “Gold Standard” for performance, safety, and quality.
- **Legendary Customer Service** – Marco's legendary customer service team is staffed by friendly, highly-trained individuals who are focused on providing the highest level of product support, order accuracy, and customer satisfaction.
- **Product Availability** – We stock over 10,000 SKU's and have more than 45 shipping locations to serve North American and International markets for all major brands of blasting and coating equipment. As the largest provider of surface preparation and protective coatings equipment in the world, our inventory levels and product availability are unmatched.
- **Logistics Services** – Marco's in-house logistics team is dedicated to moving your shipment anywhere in the world. We move more than 14,000 truckloads every year, allowing you to save on freight costs by leveraging our buying power. Lower your process costs with a single invoice, which includes product and freight.
- **Technology Leadership** – Our website provides: Operator's Manuals, Part Numbers and Schematics Guides, SDS information, and Features & Specifications Guides, providing access to information 24/7. Our Extranet application allows you to receive quotes and place orders online. Our Intranet maintains a complete record of your purchase history to assist with ongoing support of your existing equipment and future purchasing decisions.

## Vision Statement

Marco is the world's premier provider of Abrasives, Blasting, Coating, Dust Collectors, Engineered Systems, Rental, Safety, Service, Repair, & Modernization, and Vacuums.

## Mission Statement

Marco provides strong leadership and innovation to the surface preparation and protective coatings industries. We dedicate our efforts to the continuous improvement of our products, services, processes, people, and most importantly, the quality of our customer's experience.

## Quality Statement

Marco is committed to providing superior quality in the design, manufacturing, distribution, rental, service, and repair of our products. Our ISO 9001:2008 certification extends throughout all operations in all locations. Continuous improvement of our processes and supply chain Integration comprise the core of our business strategy for delivering exceptional quality and value in all Marco products and services.

## Management Philosophy

We are a company dedicated to the success of every customer and associate. We discuss, debate, challenge, measure, and test our ideas. We will be boundless and limitless in our passion to improve. Through sound leadership and dedicated associates, we will ensure a long term, profitable future for Marco, our associates, customers, and suppliers.

# TABLE OF CONTENTS

<b>Part Numbers</b> . . . . .	<b>4</b>
<b>Part Numbers and Schematics</b> . . . . .	<b>10</b>
Inspection Door Assembly . . . . .	10
Pop-up Valve Assembly . . . . .	11
20 Cu. Ft. Abrasive Blasting Pots – Pneumatic – Single Outlet . . . . .	12
20 Cu. Ft. Abrasive Blasting Pots – 12-Volt DC – Single Outlet . . . . .	14
20 Cu. Ft. Abrasive Blasting Pots – 120-Volt AC – Single Outlet . . . . .	16
20 Cu. Ft. Abrasive Blasting Pots – Pneumatic – Dual Outlet . . . . .	18
20 Cu. Ft. Abrasive Blasting Pots – 12-Volt DC – Dual Outlet . . . . .	20
20 Cu. Ft. Abrasive Blasting Pots – 120-Volt AC – Dual Outlet . . . . .	22
20 Cu. Ft. Abrasive Blasting Pots – 800 CFM Moisture Separator – Pneumatic – Dual Outlet . . . . .	24
20 Cu. Ft. Abrasive Blasting Pots – 800 Moisture Separator – 12-Volt DC – Dual Outlet . . . . .	26
20 Cu. Ft. Abrasive Blasting Pots – 800 Moisture Separator – 120-Volt AC – Dual Outlet . . . . .	28
20 Cu. Ft. Abrasive Blasting Pots –Pneumatic – Dual Outlet – Pressure Release . . . . .	30
20 Cu. Ft. Abrasive Blasting Pots –12-Volt DC – Dual Outlet – Pressure Release . . . . .	32
Pusher Line Assembly . . . . .	34
Exhaust Muffler Assembly . . . . .	35
Blastmaster® Maxum III Abrasive Metering Valve – Tungsten Carbide and Multiport Sleeve . . . . .	36
Blastmaster® Maxum III Abrasive Metering Valve – Urethane Sleeve . . . . .	38
Blastmaster® Maxum III Abrasive Metering Valve — Tungsten Carbide Sleeve — 2” . . . . .	40
Blastmaster® Maxum III Abrasive Metering Valve — Urethane Sleeve — 2” . . . . .	42
Blastmaster® 130P Remote Control System . . . . .	44
High Flow Gatekeeper Air Valve . . . . .	46
12-Volt DC Blastmaster® 130E Remote Control System . . . . .	48
120-Volt AC Blastmaster® 130E Remote Control System . . . . .	50
120-Volt AC Blastmaster® 130E Remote Control System - Multiple Outlet . . . . .	52
Blastmaster® 123P Remote Control System . . . . .	54
Tandem Remote Control Valve . . . . .	55
Blastmaster® 123E 12-Volt DC Remote Control System . . . . .	56
12-Volt DC 190 Electric Control Assembly . . . . .	58
12-Volt DC 190 Electric Solenoid . . . . .	59
12-Volt AC 190 Electric Control Assembly . . . . .	60
12-Volt AC 190 Electric Solenoid . . . . .	61
Blastmaster® 120-Volt AC to 12-Volt AC Power Converter . . . . .	62
190 Pneumatic Solenoid . . . . .	63
<b>Optional Accessories</b> . . . . .	<b>64</b>
<b>Literature References</b> . . . . .	<b>65</b>

## PART NUMBERS

### BLASTMASTER® 20 CU. FT. ABRASIVE BLASTING POT – SINGLE OUTLET

Part Numbers	Power Source	Blastmaster® Remote Control System	Blastmaster® Remote Control Switch	1-1/2" Blastmaster® Maxum III Abrasive Metering Valve Sleeve Material	1-1/2" Extractor Abrasive Blasting Pot Moisture Separator	Outlets
<b>10106997</b>	Pneumatic	130P	152P	Tungsten Carbide		Single
<b>10106997PKA</b>	Pneumatic	130P	152P	Tungsten Carbide	X	Single
<b>10106999</b>	Pneumatic	130P	152P	Urethane		Single
<b>10106999PKA</b>	Pneumatic	130P	152P	Urethane	X	Single
<b>10109134</b>	Pneumatic	123P	152P	*Bantam Valve		Single
<b>10107001</b>	12-Volt DC	130E	151E	Tungsten Carbide		Single
<b>10107001PKA</b>	12-Volt DC	130E	151E	Tungsten Carbide	X	Single
<b>10107003</b>	12-Volt DC	130E	151E	Urethane		Single
<b>10107003PKA</b>	12-Volt DC	130E	151E	Urethane	X	Single
<b>10107005</b>	120-Volt AC	130E	151E	Tungsten Carbide		Single
<b>10107005PKA</b>	120-Volt AC	130E	151E	Tungsten Carbide	X	Single
<b>10107007</b>	120-Volt AC	130E	151E	Urethane		Single
<b>10107007PKA</b>	120-Volt AC	130E	151E	Urethane	X	Single



Pneumatic



Electric

## PART NUMBERS

### BLASTMASTER® 20 CU. FT. ABRASIVE BLASTING POT – DUAL OUTLET

<b>Part Numbers</b>	<b>Power Source</b>	<b>Blastmaster® Remote Control System</b>	<b>Blastmaster® Remote Control Switch</b>	<b>1-1/2" Blastmaster® Maxum III Abrasive Metering Valve Sleeve Material</b>	<b>Outlets</b>
<b>10107009</b>	Pneumatic	130P	152P	Tungsten Carbide	Dual
<b>10107011</b>	Pneumatic	130P	152P	Urethane	Dual
<b>10107013</b>	12-Volt DC	130E	151E	Tungsten Carbide	Dual
<b>10107015</b>	12-Volt DC	130E	151E	Urethane	Dual
<b>10107017</b>	120-Volt AC	130E	151E	Tungsten Carbide	Dual
<b>10107019</b>	120-Volt AC	130E	151E	Urethane	Dual



**Pneumatic**



**Electric**

## PART NUMBERS

### BLASTMASTER® 20 CU. FT. ABRASIVE BLASTING POT - DUAL OUTLET - 800 CFM MOISTURE SEPARATOR

Part Numbers	Power Source	Blastmaster® Remote Control System	Blastmaster® Remote Control Switch	1-1/2" Blastmaster® Maxum III Abrasive Metering Valve Sleeve Material	800 CFM Moisture Separator	Outlets
10106849	Pneumatic	130P	152P	Tungsten Carbide	X	Dual
10107506	Pneumatic	130P	152P	Urethane	X	Dual
10106850	12-Volt DC	130E	151E	Tungsten Carbide	X	Dual
10107507	12-Volt DC	130E	151E	Urethane	X	Dual
10107508	120-Volt AC	130E	151E	Tungsten Carbide	X	Dual
10107509	120-Volt AC	130E	151E	Urethane	X	Dual



Pneumatic

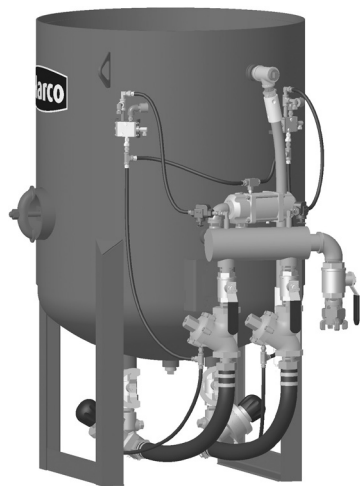


Electric

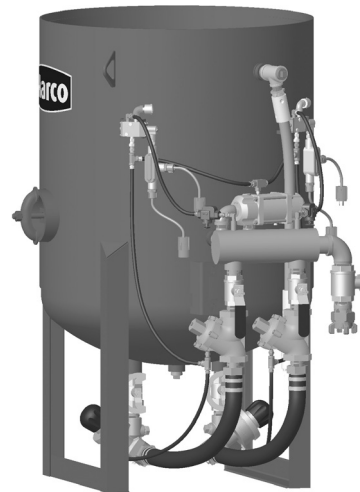
## PART NUMBERS

### BLASTMASTER® 20 CU. FT. ABRASIVE BLASTING POT – DUAL OUTLET - PRESSURE RELEASE

<b>Part Numbers</b>	<b>Power Source</b>	<b>Blastmaster® Remote Control System</b>	<b>Blastmaster® Remote Control Switch</b>	<b>1-1/2" Blastmaster® Maxum III Abrasive Metering Valve Sleeve Material</b>	<b>Outlets</b>
10108353	Pneumatic	123P	152P	Tungsten Carbide	Dual
10109057	Pneumatic	123P	152P	Urethane	Dual
10109007	12-Volt DC	123E	151E	Tungsten Carbide	Dual
10110394	12-Volt DC	123E	151E	Urethane	Dual



**Pneumatic**



**Electric**

## PART NUMBERS

### BLASTMASTER® 20 CU. FT. ABRASIVE BLASTING POT - DUAL OUTLET - SKID SYSTEM

<b>Part Numbers</b>	<b>Power Source</b>	<b>Blastmaster® Remote Control System</b>	<b>Blastmaster® Remote Control Switch</b>	<b>1-1/2" Blastmaster® Maxum III Abrasive Metering Valve Sleeve Material</b>	<b>750 CFM Air Dryer</b>	<b>750 CFM Atercooler with Coalescing Tank</b>	<b>Outlets</b>
<b>10107617</b>	Pneumatic	130P	152P	Tungsten Carbide	X		Dual
<b>10107618</b>	Pneumatic	130P	152P	Urethane	X		Dual
<b>10108591</b>	Pneumatic	130P	152P	Tungsten Carbide		X	Dual
<b>10108592</b>	Pneumatic	130P	152P	Urethane		X	Dual
<b>10107194</b>	12-Volt DC	130E	151E	Tungsten Carbide	X		Dual
<b>10107619</b>	12-Volt DC	130E	151E	Urethane	X		Dual
<b>10108593</b>	12-Volt DC	130E	151E	Tungsten Carbide		X	Dual
<b>10108594</b>	12-Volt DC	130E	151E	Urethane		X	Dual
<b>10107620</b>	120-Volt AC	130E	151E	Tungsten Carbide	X		Dual
<b>10107621</b>	120-Volt AC	130E	151E	Urethane	X		Dual
<b>10108595</b>	120-Volt AC	130E	151E	Tungsten Carbide		X	Dual
<b>10108596</b>	120-Volt AC	130E	151E	Urethane		X	Dual



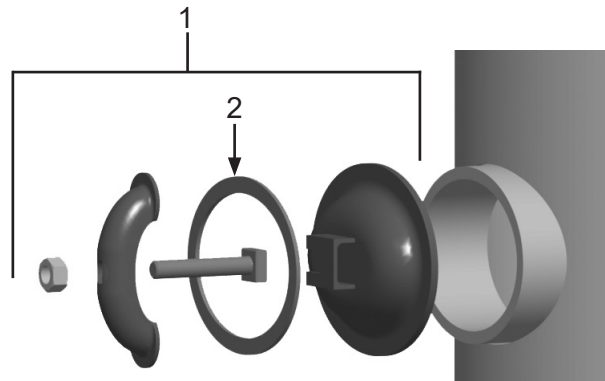
## PART NUMBERS

### BLASTMASTER® 20 CU. FT. ABRASIVE BLASTING POT - DUAL OUTLET - TRAILER SYSTEM

<b>Part Numbers</b>	<b>Power Source</b>	<b>Blastmaster® Remote Control System</b>	<b>Blastmaster® Remote Control Switch</b>	<b>1-1/2" Blastmaster® Maxum III Abrasive Metering Valve Sleeve Material</b>	<b>750 CFM Air Dryer</b>	<b>950 CFM Aftercooler with Coalescing Tank</b>	<b>Outlets</b>	<b>Bulk Bag Rack Stand</b>
<b>10108561</b>	Pneumatic	130P	152P	Tungsten Carbide	X		Dual	X
<b>10108562</b>	Pneumatic	130P	152P	Urethane	X		Dual	X
<b>10108478</b>	Pneumatic	130P	152P	Tungsten Carbide		X	Dual	X
<b>10108335</b>	Pneumatic	130P	152P	Urethane		X	Dual	X
<b>10108563</b>	12-Volt DC	130E	151E	Tungsten Carbide	X		Dual	X
<b>10108564</b>	12-Volt DC	130E	151E	Urethane	X		Dual	X
<b>10108279</b>	12-Volt DC	130E	151E	Tungsten Carbide		X	Dual	X
<b>10108336</b>	12-Volt DC	130E	151E	Urethane		X	Dual	X
<b>10108565</b>	120-Volt AC	130E	151E	Tungsten Carbide	X		Dual	X
<b>10108566</b>	120-Volt AC	130E	151E	Urethane	X		Dual	X
<b>10108337</b>	120-Volt AC	130E	151E	Tungsten Carbide		X	Dual	X
<b>10108338</b>	120-Volt AC	130E	151E	Urethane		X	Dual	X

## PART NUMBERS AND SCHEMATICS

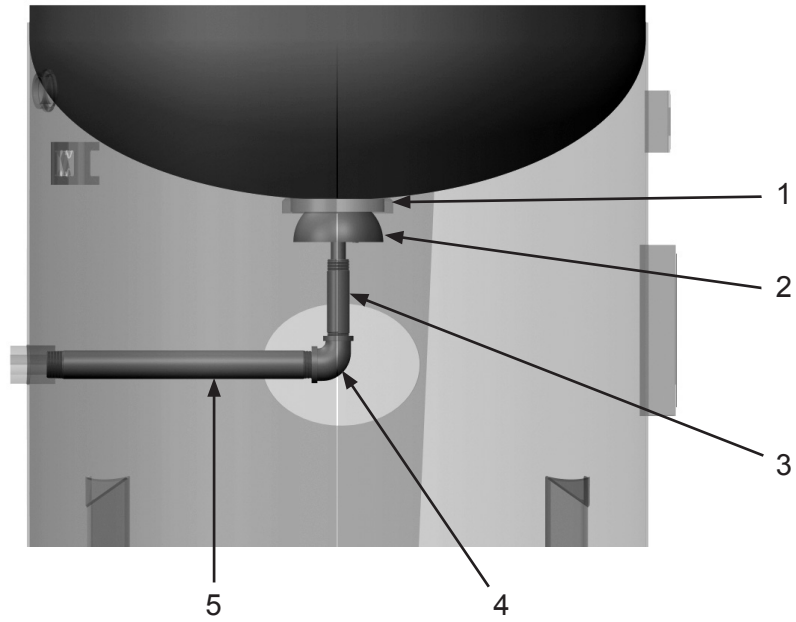
Figure 1: Inspection Door Assembly



Item #	Part #	Description
<b>Fig. 1</b>		
1	1006200	6" x 8" Inspection Door Assembly
2	1006201	Gasket

## PART NUMBERS AND SCHEMATICS

Figure 2: Pop-up Valve Assembly



Item #	Part #	Description
--------	--------	-------------

Fig. 2

1	1006040	Pop-Up Valve Seat
2	1006030	Pop-Up Valve
3	1006209	1" x 9-1/2" NPT Pipe Nipple
4	1006210	1-1/4" x 1" 90 ° Elbow
5	10106848	1-1/4" x 16" NPT Pipe Nipple

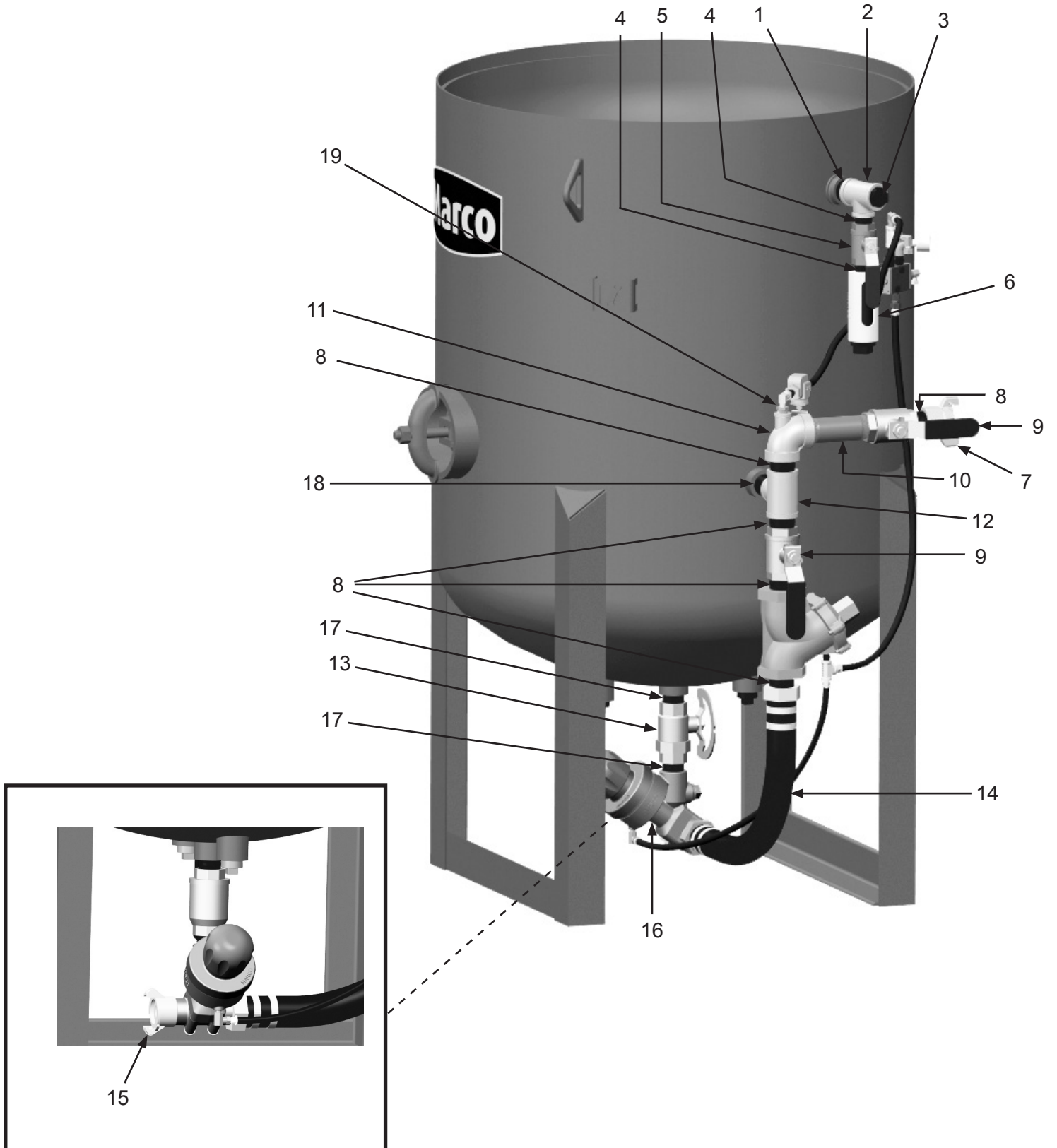
## PART NUMBERS AND SCHEMATICS

### 20 Cu. Ft. Abrasive Blasting Pots – Pneumatic – Single Outlet

Item #	Part #	Description
<b>Fig. 3</b>		
—	10106997	20 Cu. Ft. Abrasive Blasting Pots – Maxum III – Tungsten Carbide – Pneumatic
—	10106999	20 Cu. Ft. Abrasive Blasting Pots – Maxum III – Urethane – Pneumatic
1	1011201	1-1/4" NPT Close Nipple
2	1011817	1-1/4" x 1-1/4" x 1" Pipe Tee
3	1011902	1-1/4" Square Head Plug
4	1012151	1" Galvanized Close Nipple ( <i>Two Required</i> )
5	1011601	1" NPT Full Port Brass Ball Valve
6	1011100	Exhaust Muffler Assembly ( <i>See Figure 15</i> )
7	10ME4	1-1/2" NPT (F) 4-Lug Air Hose Coupling
8	1014015	1-1/2" Close Nipple ( <i>Five Required</i> )
9	1011603	1-1/2" NPT Full Port Brass Ball Valve ( <i>Two Required</i> )
10	1011211	1-1/2" NPT x 5-1/2" Pipe Nipple
	10105026	1-1/2" NPT x 9" Pipe Nipple (PKA Only)
11	1011828	1-1/2" 90° Elbow with 1/2" Out
12	1011836	1-1/2" x 1-1/2" x 1-1/4" Pipe Tee
13	1011606A	1-1/4" Ball Valve
14	—	1-1/2" Pusher Line Assembly ( <i>See Figure 14</i> )
15	10SB2S	1-1/2" Straight Thread Coupling
16	10101946	Maxum III Valve 1-1/2" Urethane
—	10101950	Maxum III Valve 1-1/2" Tungsten Carbide
17	1011201	1-1/4" Closed Nipple ( <i>Two Required</i> )
18	1011204	1-1/4" x 3" Nipple – Galvanized
19	1011818	1/2" x 1/4" Galvanized Bushing
—	10103834	130P Remote Control System
—	1091020	Warning Plate
—	1091025	Hazard Identification Tag
—	1091045	Hazard Identification Tag

# PART NUMBERS AND SCHEMATICS

Figure 3: 20 Cu. Ft. Abrasive Blasting Pots – Pneumatic – Single Outlet



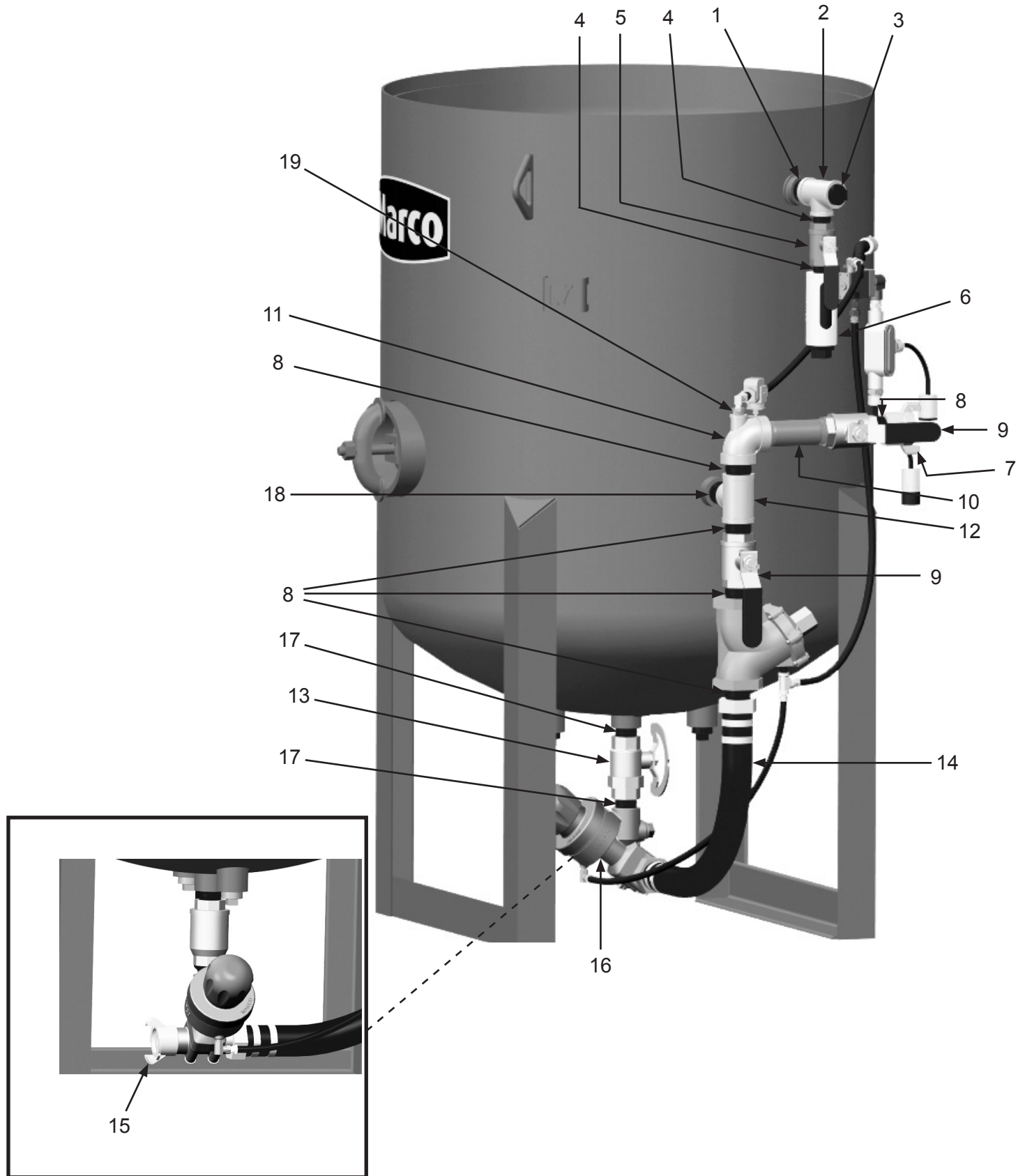
## PART NUMBERS AND SCHEMATICS

### 20 Cu. Ft. Abrasive Blasting Pots – 12-Volt DC – Single Outlet

Item #	Part #	Description
<b>Fig. 4</b>		
—	<b>10107001</b>	<b>20 Cu. Ft. Abrasive Blasting Pots – Maxum III – Tungsten Carbide – 12-Volt DC</b>
—	<b>10107003</b>	<b>20 Cu. Ft. Abrasive Blasting Pots – Maxum III – Urethane – 12-Volt DC</b>
1	1011201	1-1/4" NPT Close Nipple
2	1011817	1-1/4" x 1-1/4" x 1" Pipe Tee
3	1011902	1-1/4" Square Head Plug
4	1012151	1" Galvanized Close Nipple ( <i>Two Required</i> )
5	1011601	1" NPT Full Port Brass Ball Valve
6	1011100	Exhaust Muffler Assembly ( <i>See Figure 15</i> )
7	10ME4	1-1/2" NPT (F) 4-Lug Air Hose Coupling
8	1014015	1-1/2" Close Nipple ( <i>Five Required</i> )
9	1011603	1-1/2" NPT Full Port Brass Ball Valve ( <i>Two Required</i> )
10	1011211	1-1/2" NPT x 5-1/2" Pipe Nipple
	10105026	1-1/2" NPT x 9" Pipe Nipple (PKA Only)
11	1011828	1-1/2" 90° Elbow With 1/2" Out
12	1011836	1-1/2" x 1-1/2" x 1-1/4" Pipe Tee
13	1011606A	1-1/4" Ball Valve
14	—	1-1/2" Pusher Line Assembly ( <i>See Figure 14</i> )
15	10SB2S	1-1/2" Straight Thread Coupling
16	10101946	Maxum III Valve 1-1/2" Urethane
—	10101950	Maxum III Valve 1-1/2" Tungsten Carbide
17	1011201	1-1/4" Closed Nipple ( <i>Two Required</i> )
18	1011204	1-1/4" x 3" Nipple – Galvanized
19	1011818	1/2" x 1/4" Galvanized Bushing
—	10103835	130E Remote Control System
—	1091020	Warning Plate
—	1091025	Hazard Identification Tag
—	1091045	Hazard Identification Tag

# PART NUMBERS AND SCHEMATICS

Figure 4: 20 Cu. Ft. Abrasive Blasting Pots – 12-Volt DC – Single Outlet



## PART NUMBERS AND SCHEMATICS

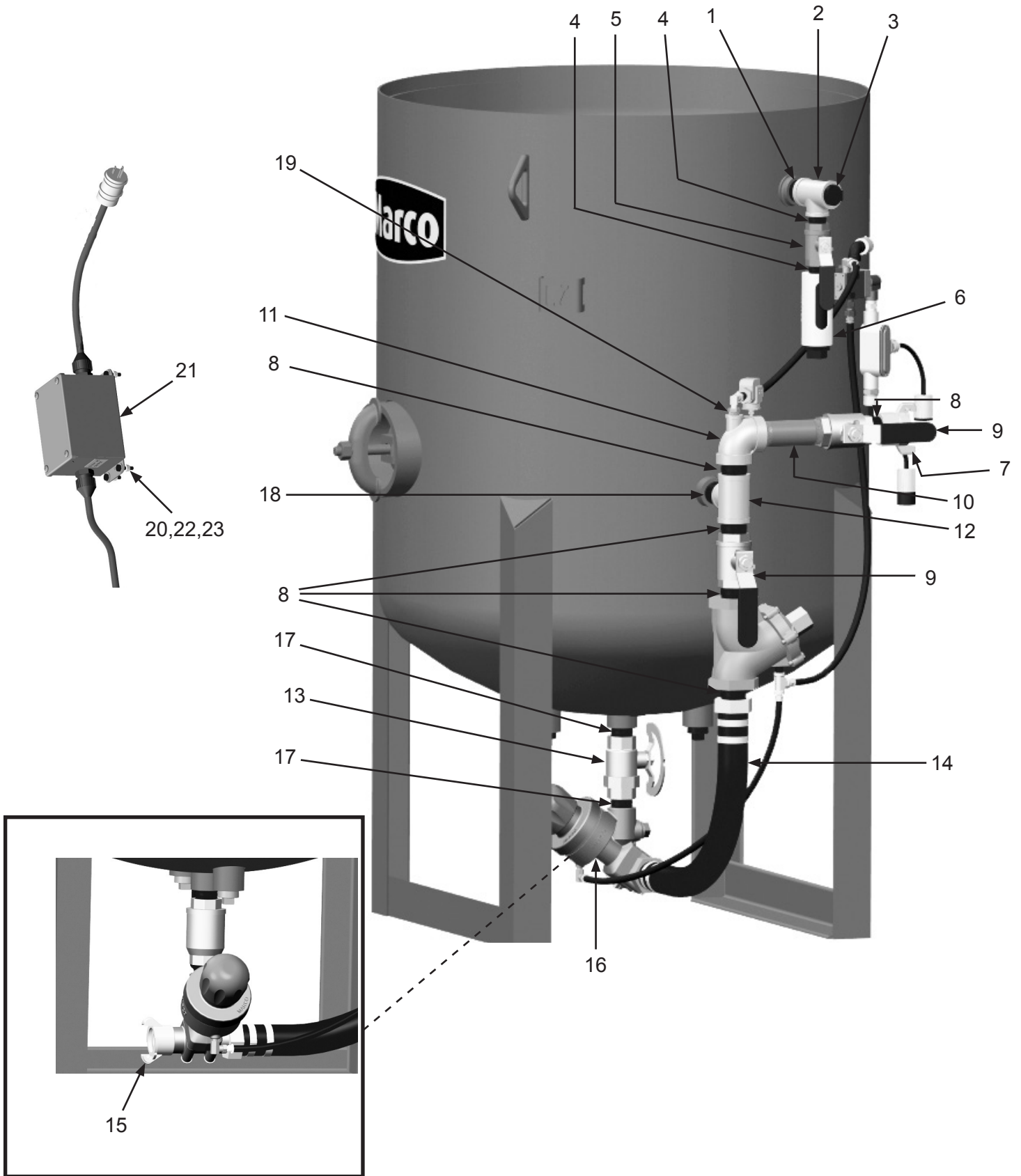
### 20 Cu. Ft. Abrasive Blasting Pots – 120-Volt AC – Single Outlet

Item #	Part #	Description
<b>Fig. 5</b>		
—	<b>10107005</b>	<b>20 Cu. Ft. Abrasive Blasting Pots – Maxum III – Tungsten Carbide – 120-Volt AC</b>
—	<b>10107007</b>	<b>20 Cu. Ft. Abrasive Blasting Pots – Maxum III – Urethane – 120-Volt AC</b>
1	1011201	1-1/4" NPT Close Nipple
2	1011817	1-1/4" x 1-1/4" x 1" Pipe Tee
3	1011902	1-1/4" Square Head Plug
4	1012151	1" Galvanized Close Nipple ( <i>Two Required</i> )
5	1011601	1" NPT Full Port Brass Ball Valve
6	1011100	Exhaust Muffler Assembly ( <i>See Figure 15</i> )
7	10ME4	1-1/2" NPT (F) 4-Lug Air Hose Coupling
8	1014015	1-1/2" Close Nipple ( <i>Five Required</i> )
9	1011603	1-1/2" NPT Full Port Brass Ball Valve ( <i>Two Required</i> )
10	1011211	1-1/2" NPT x 5-1/2" Pipe Nipple
	10105026	1-1/2" NPT x 9" Pipe Nipple (PKA Only)
11	1011828	1-1/2" 90° Elbow with 1/2" Out
12	1011836	1-1/2" x 1-1/2" x 1-1/4" Pipe Tee
13	1011606A	1-1/4" Ball Valve
14	—	1-1/2" Pusher Line Assembly ( <i>See Figure 14</i> )
15	10SB2S	1-1/2" Straight Thread Coupling
16	10101946	Maxum III Valve 1-1/2" Urethane
—	10101950	Maxum III Valve 1-1/2" Tungsten Carbide
17	1011201	1-1/4" Closed Nipple ( <i>Two Required</i> )
18	1011204	1-1/4" x 3" Nipple – Galvanized
19	1011818	1/2" x 1/4" Galvanized Bushing
20	1012323	1/4-20 Zinc Lock Nut with Nylon Insert ( <i>Two Required</i> )
21	1030020	Blastmaster® 120-Volt AC to 12-Volt AC Converter ( <i>Optional</i> )
22	1012154	1/4-20 x 1" Hex Bolt ( <i>Four Required</i> )
23	1014017	1/4" Flat Washer ( <i>Four Required</i> )
—	10103835	130E Remote Control System
—	1091020	Warning Plate
—	1091025	Hazard Identification Tag
—	1091045	Hazard Identification Tag



# PART NUMBERS AND SCHEMATICS

Figure 5: 20 Cu. Ft. Abrasive Blasting Pots – 120-Volt AC – Single Outlet



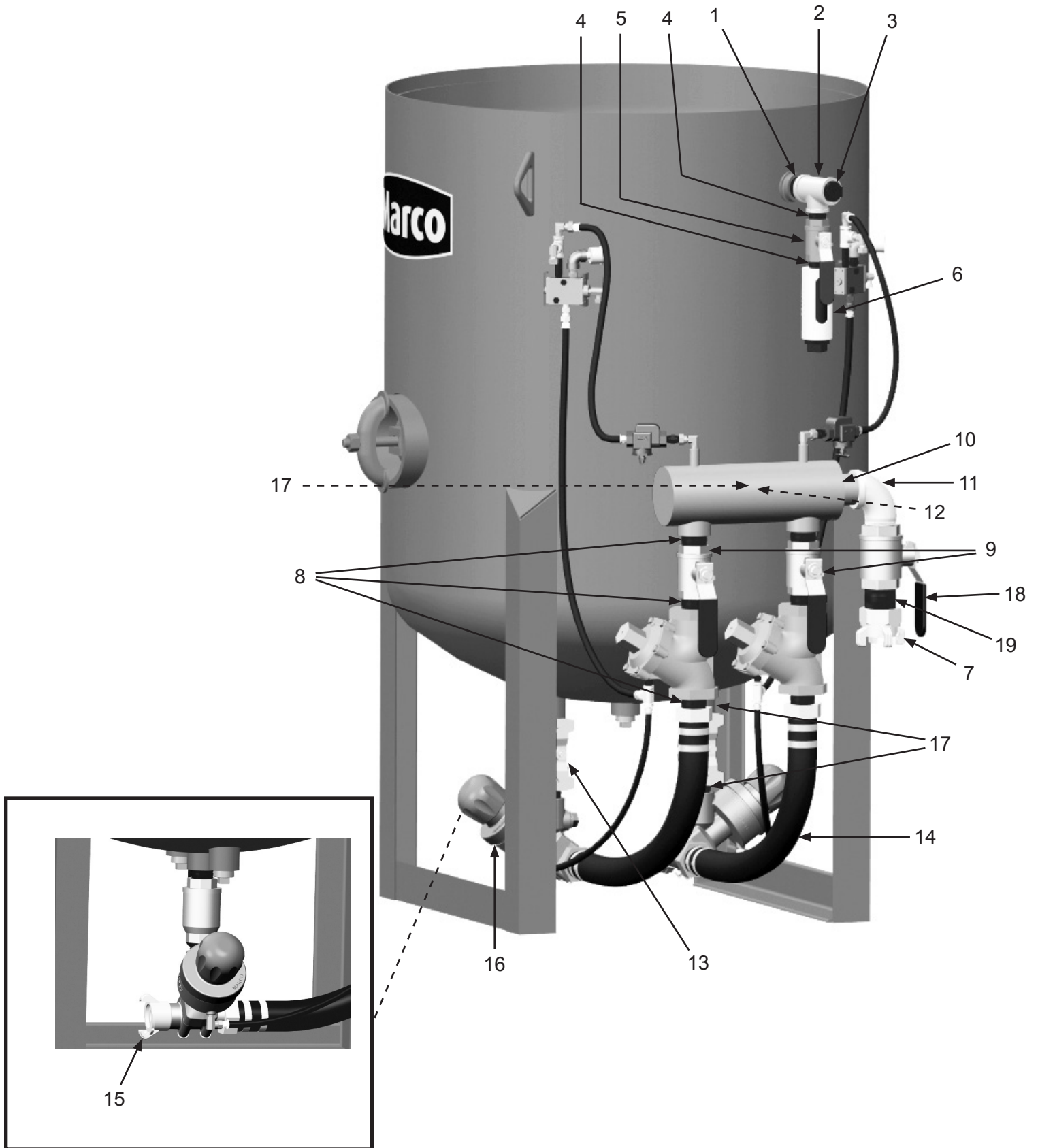
## PART NUMBERS AND SCHEMATICS

### 20 Cu. Ft. Abrasive Blasting Pots – Pneumatic – Dual Outlet

Item #	Part #	Description
<b>Fig. 6</b>		
—	<b>10107009</b>	<b>20 Cu. Ft. Abrasive Blasting Pots – Pneumatic – Dual Outlet – Tungsten Carbide</b>
—	<b>10107011</b>	<b>20 Cu. Ft. Abrasive Blasting Pots – Pneumatic – Dual Outlet – Urethane</b>
1	1011201	1-1/4" NPT Close Nipple
2	1011817	1-1/4" x 1-1/4" x 1" Pipe Tee
3	1011902	1-1/4" Square Head Plug
4	1012151	1" Galvanized Close Nipple ( <i>Two Required</i> )
5	1011601	1" NPT Full Port Brass Ball Valve
6	1011100	Exhaust Muffler Assembly ( <i>See Figure 15</i> )
7	10ME5	2" NPT (F) 4-Lug Air Hose Coupling
8	1014015	1-1/2" Close Nipple ( <i>Five Required</i> )
9	1011603	1-1/2" NPT Full Port Brass Ball Valve ( <i>Two Required</i> )
10	10106863	Manifold
11	10101265	2" x 90° Elbow
12	1006502	1-1/4" Female Pipe Union
13	1011606A	1-1/4" Ball Valve
14	—	1-1/2" Pusher Line Assembly ( <i>See Figure 14</i> )
15	10SB2S	1-1/2" Straight Thread Coupling
16	10101946	Maxum III Valve 1-1/2" Urethane
—	10101950	Maxum III Valve 1-1/2" Tungsten Carbide
17	1011201	1-1/4" Closed Nipple ( <i>Two Required</i> )
18	1011604	2" NPT Full Port Brass Ball Valve
19	1001806	2" Close Nipple
—	10103834	130P Remote Control System ( <i>Two Required</i> )
—	1091020	Warning Plate
—	1091025	Hazard Identification Tag
—	1091045	Hazard Identification Tag

# PART NUMBERS AND SCHEMATICS

Figure 6: 20 Cu. Ft. Abrasive Blasting Pots – Pneumatic – Dual Outlet



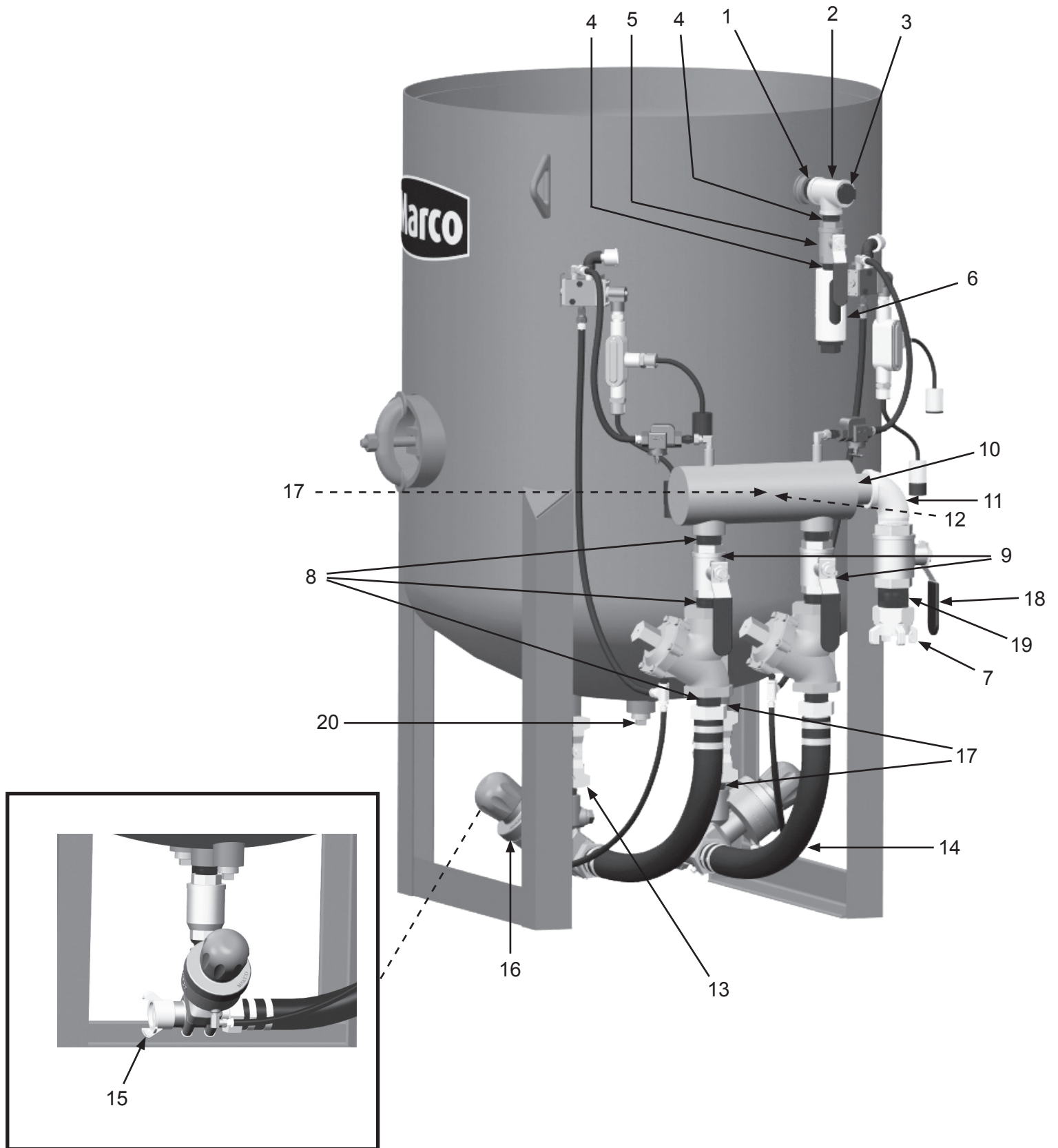
## PART NUMBERS AND SCHEMATICS

### 20 Cu. Ft. Abrasive Blasting Pots – 12-Volt DC – Dual Outlet

Item #	Part #	Description
<b>Fig. 7</b>		
—	<b>10107013</b>	<b>20 Cu. Ft. Abrasive Blasting Pots – 12-Volt DC – Dual Outlet – Tungsten Carbide</b>
—	<b>10107015</b>	<b>20 Cu. Ft. Abrasive Blasting Pots – 12-Volt DC – Dual Outlet – Urethane</b>
1	1011201	1-1/4" NPT Close Nipple
2	1011817	1-1/4" x 1-1/4" x 1" Pipe Tee
3	1011902	1-1/4" Square Head Plug
4	1012151	1" Galvanized Close Nipple ( <i>Two Required</i> )
5	1011601	1" NPT Full Port Brass Ball Valve
6	1011100	Exhaust Muffler Assembly ( <i>See Figure 15</i> )
7	10ME5	2" NPT (F) 4-Lug Air Hose Coupling
8	1014015	1-1/2" Close Nipple ( <i>Six Required</i> )
9	1011603	1-1/2" NPT Full Port Brass Ball Valve ( <i>Two Required</i> )
10	10106863	Manifold
11	10101265	2" x 90° Elbow
12	1006502	1-1/4" Female Pipe Union
13	1011606A	1-1/4" Ball Valve
14	—	1-1/2" Pusher Line Assembly ( <i>See Figure 14</i> )
15	10SB2S	1-1/2" Straight Thread Coupling
16	10101946	Maxum III Valve 1-1/2" Urethane
—	10101950	Maxum III Valve 1-1/2" Tungsten Carbide
17	1011201	1-1/4" Closed Nipple ( <i>Five Required</i> )
18	1011604	2" NPT Full Port Brass Ball Valve
19	1001806	2" Close Nipple
20	1011902	1-1/4" Plug
—	10103835	130E Remote Control System ( <i>Two Required</i> )
—	1091020	Warning Plate
—	1091025	Hazard Identification Tag
—	1091045	Hazard Identification Tag

# PART NUMBERS AND SCHEMATICS

Figure 7: 20 Cu. Ft. Abrasive Blasting Pots – 12-Volt DC – Dual Outlet



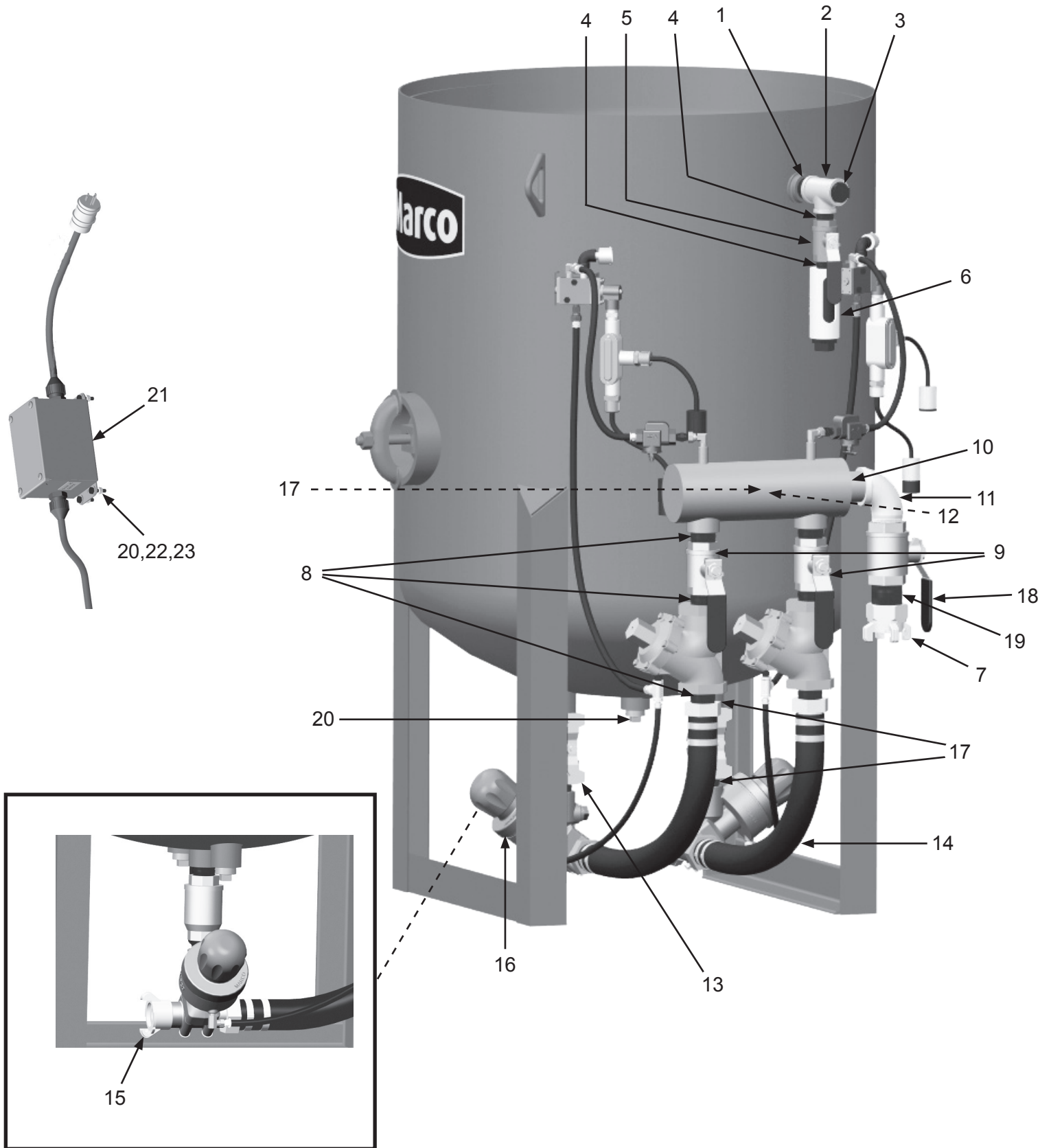
## PART NUMBERS AND SCHEMATICS

### 20 Cu. Ft. Abrasive Blasting Pots – 120-Volt AC – Dual Outlet

Item #	Part #	Description
<b>Fig. 8</b>		
—	<b>10107017</b>	<b>20 Cu. Ft. Abrasive Blasting Pots – 120-Volt AC – Dual Outlet – Tungsten Carbide</b>
—	<b>10107019</b>	<b>20 Cu. Ft. Abrasive Blasting Pots – 120-Volt AC – Dual Outlet – Urethane</b>
1	1011201	1-1/4" NPT Close Nipple
2	1011817	1-1/4" x 1-1/4" x 1" Pipe Tee
3	1011902	1-1/4" Square Head Plug
4	1012151	1" Galvanized Close Nipple ( <i>Two Required</i> )
5	1011601	1" NPT Full Port Brass Ball Valve
6	1011100	Exhaust Muffler Assembly ( <i>See Figure 15</i> )
7	10ME5	2" NPT (F) 4-Lug Air Hose Coupling
8	1014015	1-1/2" Close Nipple ( <i>Six Required</i> )
9	1011603	1-1/2" NPT Full Port Brass Ball Valve ( <i>Two Required</i> )
10	10106863	Manifold
11	10101265	2" x 90° Elbow
12	1006502	1-1/4" Female Pipe Union
13	1011606A	1-1/4" Ball Valve
14	—	1-1/2" Pusher Line Assembly ( <i>See Figure 14</i> )
15	10SB2S	1-1/2" Straight Thread Coupling
16	10101946	Maxum III Valve 1-1/2" Urethane
—	10101950	Maxum III Valve 1-1/2" Tungsten Carbide
17	1011201	1-1/4" Closed Nipple ( <i>Five Required</i> )
18	1011604	2" NPT Full Port Brass Ball Valve
19	1001806	2" Close Nipple
20	1012323	1/4-20 Zinc Lock Nut with Nylon Insert ( <i>Two Required</i> )
21	1030020	Blastmaster® 120VAC-12VAC Converter ( <i>Optional</i> )
22	1012154	1/4-20 x 1" Hex Bolt ( <i>Four Required</i> )
23	1014017	1/4" Flat Washer ( <i>Four Required</i> )
24	1011902	1-1/4" Plug
—	10103835	130E Remote Control System ( <i>Two Required</i> )
—	1091020	Warning Plate
—	1091025	Hazard Identification Tag
—	1091045	Hazard Identification Tag

# PART NUMBERS AND SCHEMATICS

Figure 8: 20 Cu. Ft. Abrasive Blasting Pots – 120-Volt AC – Dual Outlet



## PART NUMBERS AND SCHEMATICS

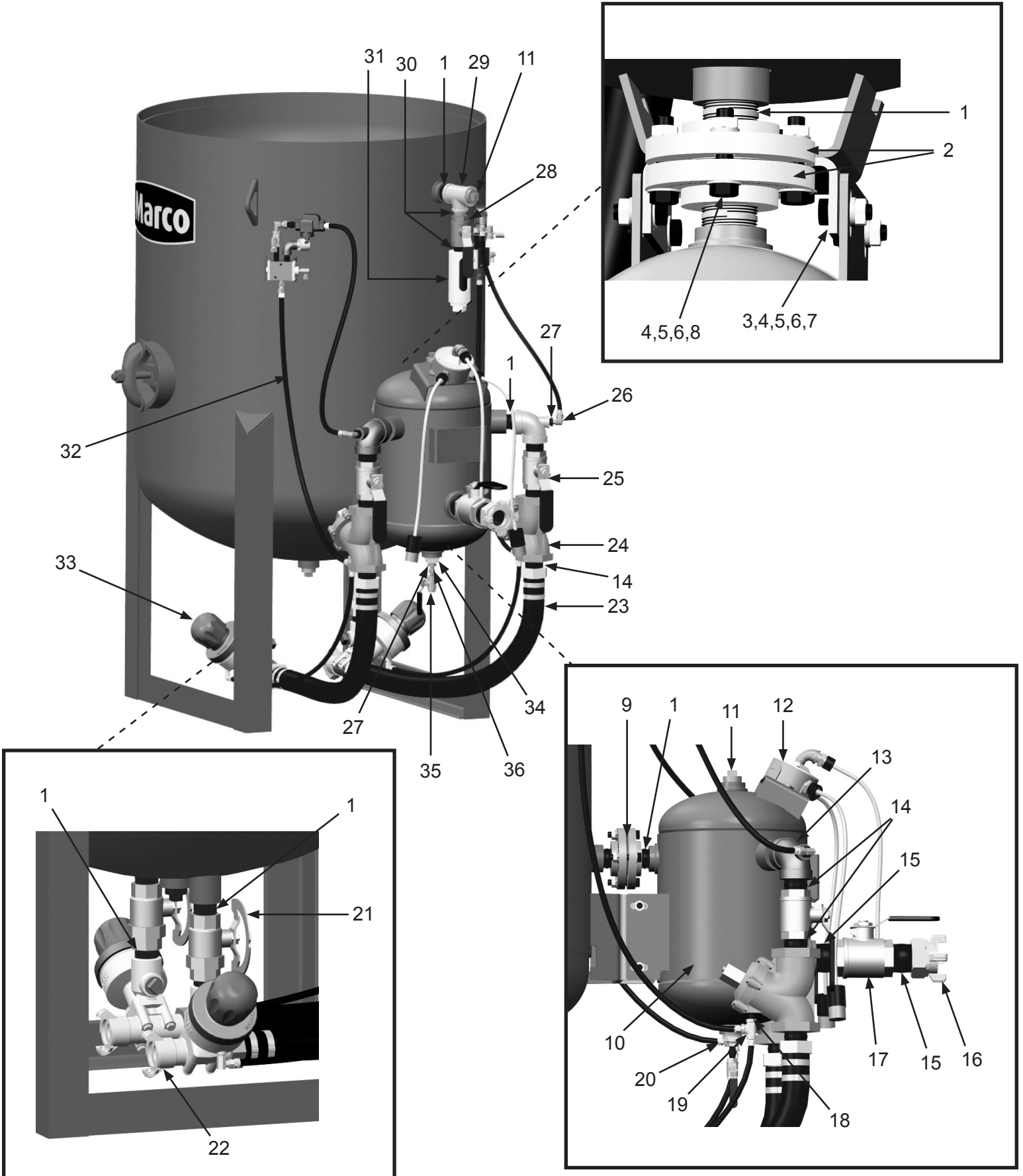
### 20 Cu. Ft. Abrasive Blasting Pots – 800 CFM Moisture Separator – Pneumatic – Dual Outlet

Item #	Part #	Description	Item #	Part #	Description
<b>Fig. 9</b>			22	10SB2S	1-1/2" Straight Thread Pot Coupling ( <i>Two Required</i> )
—	10106849	<b>20 Cu. Ft. Abrasive Blasting Pots – 800 CFM Moisture Separator – Pneumatic – Dual Outlet – Tungsten Carbide</b>	23	—	1-1/2" Pusher Line Assembly ( <i>Two Required</i> ) ( <i>See Figure 14</i> )
—	10107506	<b>20 Cu. Ft. Abrasive Blasting Pots – 800 CFM Moisture Separator – Pneumatic – Dual Outlet – Urethane</b>	24	1013600	Gatekeeper Air Valve High Flow ( <i>Two Required</i> )
1	1011201	1-1/4" Close Nipple – Galvanized ( <i>Nine Required</i> )	25	1011603	1-1/2" Full Port Ball Valve ( <i>Two Required</i> )
2	10108570	1-1/4" Flange ( <i>Two Required</i> )	26	1012326	90° Swivel 1/4" x 1/4" ( <i>Two Required</i> )
3	10101171	Bracket	27	1011818	1/2" x 1/4" Galvanized Bushing ( <i>Three Required</i> )
4	10101941	1/2-13 Hex Nut – Galvanized ( <i>12 Required</i> )	28	1011601	1" Full Port Ball Valve
5	10100675	1/2" Lock Washer ( <i>12 Required</i> )	29	1011817	1-1/4" x 1-1/4" x 1" Pipe Tee
6	10100674	1/2" Flat Washer ( <i>12 Required</i> )	30	1012151	1" Galvanized Close Nipple ( <i>Two Required</i> )
7	10100597	1/2-13 x 1-1/4" Unc Hex Bolt ( <i>Eight Required</i> )	31	1011100	Exhaust Muffler Assembly ( <i>See Figure 15</i> )
8	1011786	1/2"-13 x 2-1/4" Cap Screw ( <i>Four Required</i> )	32	10AH025	Push On Air Hose 1/4" I.D. 250 psi
9	10108571	1-1/4" Flange Gasket	33	10101946	Maxum III Valve 1-1/2" Urethane ( <i>Two Required</i> )
10	10106851	800 CFM Moisture Separator	—	10101950	Maxum III Valve 1-1/2" Tungsten Carbide ( <i>Two Required</i> )
11	1011902	1-1/4" NPT Square Head Pipe Plug ( <i>Two Required</i> )	34	1011820	1-1/4" x 1/2" Bushing – Galvanized
12	10100559	2 Outlet Electrical Control Box	35	1080050	1/4" Ball Valve
13	1011828	1-1/2" 90° Elbow with 1/2" Out ( <i>Two Required</i> )	36	1017019	Hex Nipple 1/4" x 1/4" ( <i>Three Required</i> )
14	1014015	1-1/2" Close Nipple ( <i>Four Required</i> )	—	10103834	130P Remote Control System ( <i>Two Required</i> )
15	1001806	2" Close Nipple ( <i>Two Required</i> )	—	1091020	Warning Plate
16	10ME5	2" NPT (F) 4-Lug Air Hose Coupling	—	1091025	Hazard Identification Tag
17	1011604	2" Full Port Ball Valve	—	1091045	Hazard Identification Tag
18	10PVFIT1	1/4" x 1/8" Hex Union ( <i>Two Required</i> )			
19	1011844	1/4" Pipe Tee – Galvanized ( <i>Two Required</i> )			
20	10PAF025	Push On Fitting 1/4" x 1/4" NPT ( <i>12 Required</i> )			
21	1011606A	1-1/4" Union End Ball Valve ( <i>Two Required</i> )			



# PART NUMBERS AND SCHEMATICS

Figure 9: 20 Cu. Ft. Abrasive Blasting Pots – 800 CFM Moisture Separator – Pneumatic – Dual Outlet



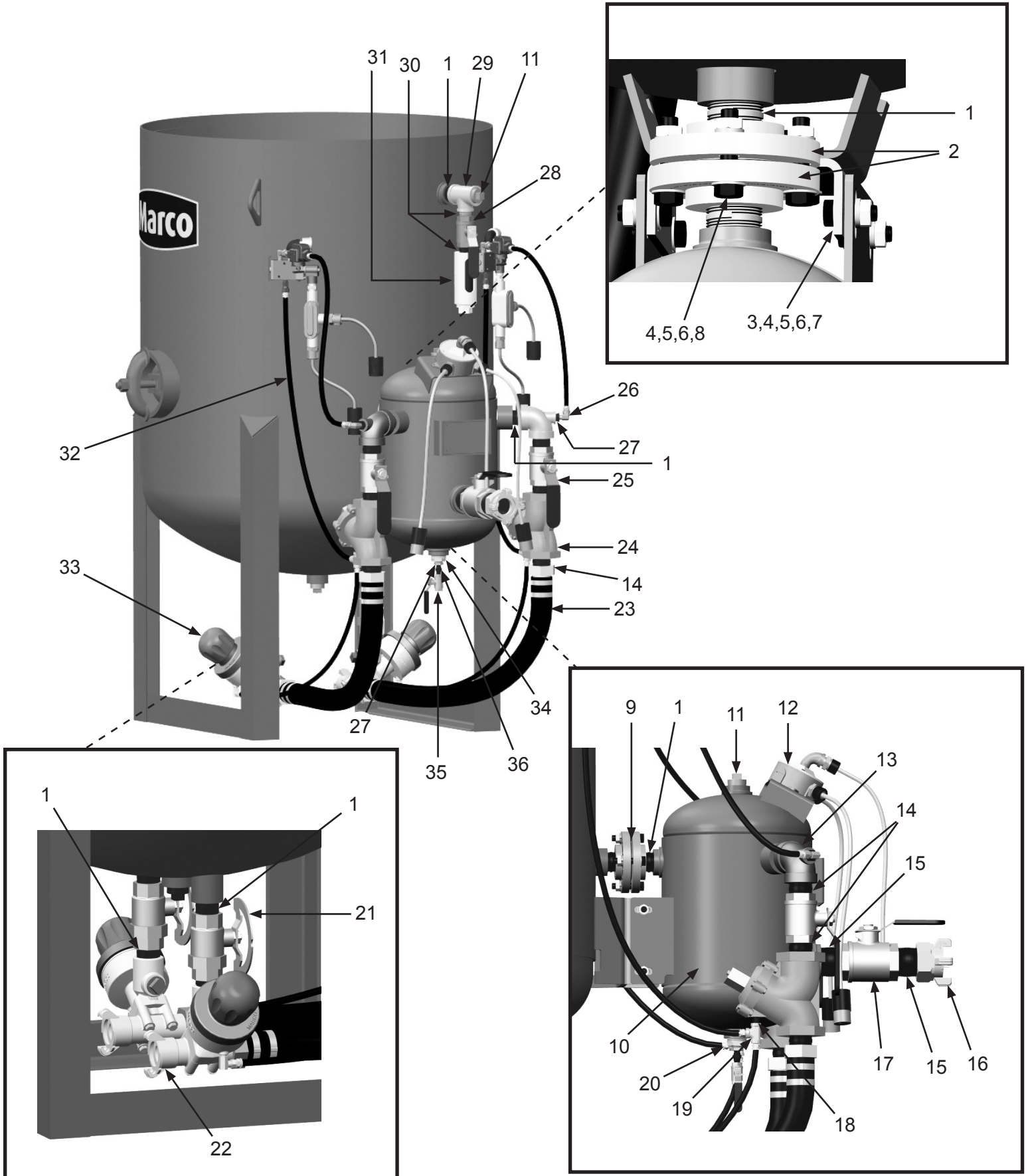
## PART NUMBERS AND SCHEMATICS

### 20 Cu. Ft. Abrasive Blasting Pots – 800 Moisture Separator – 12-Volt DC – Dual Outlet

Item #	Part #	Description	Item #	Part #	Description
<b>Fig. 10</b>			22	10SB2S	1-1/2" Straight Thread Pot Coupling <i>(Two Required)</i>
—	10106850	20 Cu. Ft. Abrasive Blasting Pots - 800 Moisture Separator – 12-Volt DC – Dual Outlet – Tungsten Carbide	23	—	1-1/2" Pusher Line Assembly <i>(Two Required) (See Figure 14)</i>
—	10107507	20 Cu. Ft. Abrasive Blasting Pots – 800 Moisture Separator – 12-Volt DC – Dual Outlet – Urethane	24	1013600	Gatekeeper Air Valve High Flow <i>(Two Required)</i>
1	1011201	1-1/4" Close Nipple – Galvanized <i>(Nine Required)</i>	25	1011603	1-1/2" Full Port Ball Valve <i>(Two Required)</i>
2	10108570	1-1/4" Flange <i>(Two Required)</i>	26	1012326	90° Swivel 1/4" x 1/4" <i>(Two Required)</i>
3	10101171	Bracket	27	1011818	1/2" x 1/4" Galvanized Bushing <i>(Three Required)</i>
4	10101941	1/2-13 Hex Nut – Galvanized <i>(12 Required)</i>	28	1011601	1" Full Port Ball Valve
5	10100675	1/2" Lock Washer <i>(12 Required)</i>	29	1011817	1-1/4" x 1-1/4" x 1" Pipe Tee
6	10100674	1/2" Flat Washer <i>(12 Required)</i>	30	1012151	1" Galvanized Close Nipple <i>(Two Required)</i>
7	10100597	1/2-13 x 1-1/4" Hex Bolt <i>(Eight Required)</i>	31	1011100	Exhaust Muffler Assembly <i>(See Figure 15)</i>
8	1011786	1/2-13 x 2-1/4" Cap Screw <i>(Four Required)</i>	32	10AH025	1/4" I.D. Push On Air Hose
9	10108571	1-1/4" Flange Gasket	33	10101946	Maxum III Valve 1-1/2" Urethane <i>(Two Required)</i>
10	10106851	800 CFM Moisture Separator	—	10101950	Maxum III Valve 1-1/2" Tungsten Carbide <i>(Two Required)</i>
11	1011902	1-1/4" NPT Square Head Pipe Plug <i>(Two Required)</i>	34	1011820	1-1/4" x 1/2" Bushing – Galvanized
12	10100559	2 Outlet Electrical Control Box	35	1080050	1/4" Ball Valve
13	1011828	1-1/2" 90° Elbow with 1/2" Out <i>(Two Required)</i>	36	1017019	Hex Nipple 1/4" x 1/4" <i>(Three Required)</i>
14	1014015	1-1/2" Close Nipple <i>(Four Required)</i>	—	10103835	130E Remote Control System <i>(Two Required)</i>
15	1001806	2" Close Nipple <i>(Two Required)</i>	—	1091020	Warning Plate
16	10ME5	2" NPT (F) 4-Lug Air Hose Coupling	—	1091025	Hazard Identification Tag
17	1011604	2" Full Port Ball Valve	—	1091045	Hazard Identification Tag
18	10PVFIT1	1/4" x 1/8" Hex Union <i>(Two Required)</i>			
19	1011844	1/4" Pipe Tee - Galvanized <i>(Two Required)</i>			
20	10PAF025	Push On Fitting 1/4" x 1/4" NPT <i>(12 Required)</i>			
21	1011606A	1-1/4" Union End Ball Valve <i>(Two Required)</i>			

## PART NUMBERS AND SCHEMATICS

Figure 10: 20 Cu. Ft. Abrasive Blasting Pots – 800 Moisture Separator – 12-Volt DC – Dual Outlet



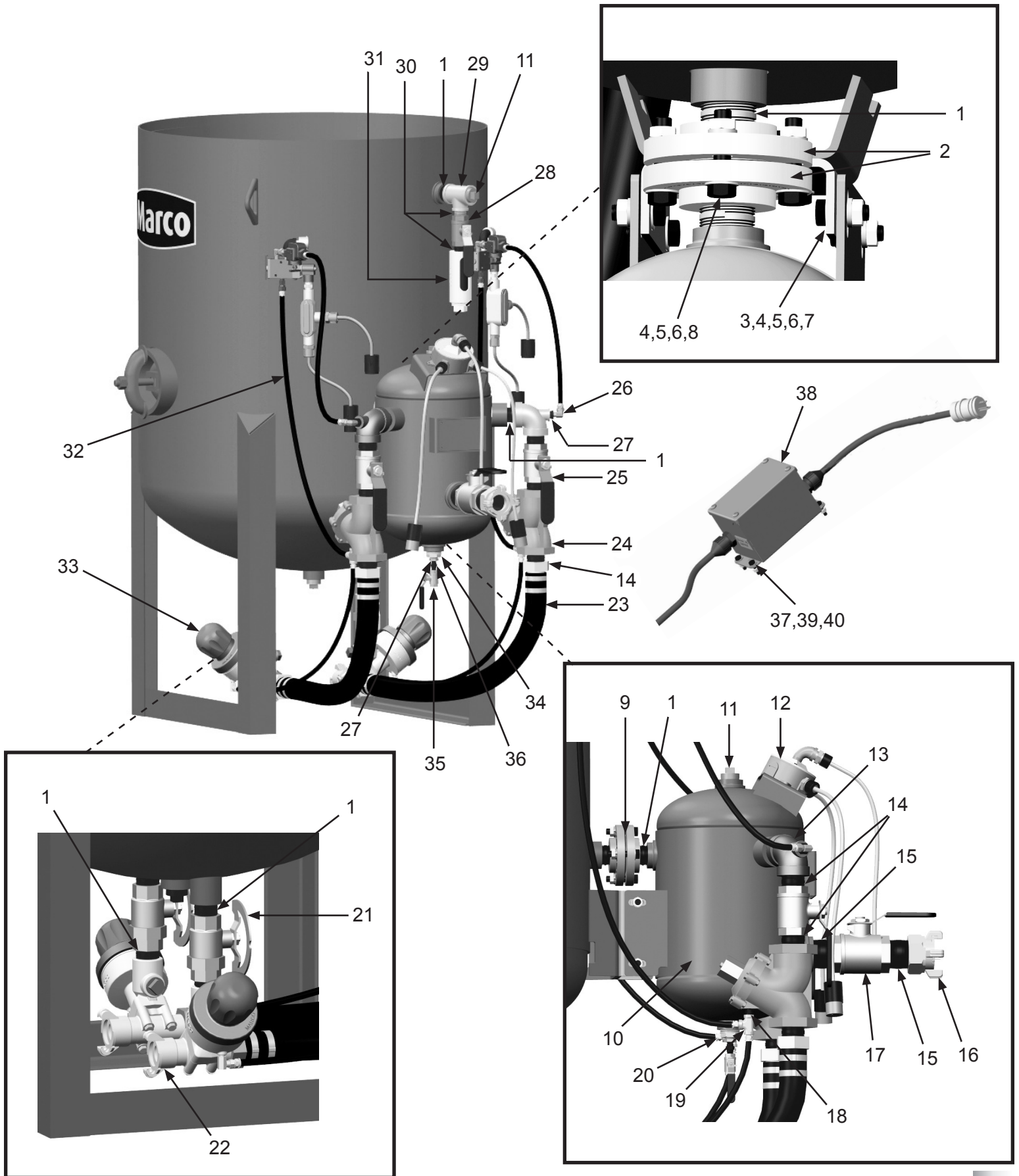
## PART NUMBERS AND SCHEMATICS

### 20 Cu. Ft. Abrasive Blasting Pots – 800 Moisture Separator – 120-Volt AC – Dual Outlet

Item #	Part #	Description	Item #	Part #	Description
<b>Fig. 11</b>			23	—	1-1/2" Pusher Line Assembly (Two Required) (See Figure 14)
—	10107508	20 Cu. Ft. Abrasive Blasting Pots – 800 Moisture Separator – 120-Volt AC - Dual Outlet – Tungsten Carbide	24	1013600	Gatekeeper Air Valve High Flow (Two Required)
—	10107509	20 Cu. Ft. Abrasive Blasting Pots – 800 Moisture Separator – 120-Volt AC – Dual Outlet – Urethane	25	1011603	1-1/2" Full Port Ball Valve (Two Required)
1	1011201	1-1/4" Close Nipple – Galvanized (Nine Required)	26	1012326	90° Swivel 1/4" x 1/4" (Two Required)
2	10108570	1-1/4" Flange (Two Required)	27	1011818	1/2" x 1/4" Bushing (Three Required)
3	10101171	Bracket	28	1011601	1" Full Port Ball Valve
4	10101941	1/2-13 Hex Nut – Galvanized (12 Required)	29	1011817	1-1/4" x 1-1/4" x 1" Pipe Tee
5	10100675	1/2" Lock Washer (12 Required)	30	1012151	1" Close Nipple (Two Required)
6	10100674	1/2" Flat Washer (12 Required)	31	1011100	Muffler Assembly (See Figure 15)
7	10100597	1/2-13 x 1-1/4" Unc Hex Bolt (Eight Required)	32	10AH025	Push On Air Hose 1/4" I.D. 250 psi
8	1011786	1/2-13 x 2-1/4" Cap Screw (Four Required)	33	10101946	Maxum III Valve 1-1/2" Urethane (Two Required)
9	10108571	1-1/4" Flange Gasket	—	10101950	Maxum III Valve 1-1/2" Tungsten Carbide (Two Required)
10	10106851	800 CFM Moisture Separator	34	1011820	1-1/4" x 1/2" Bushing – Galvanized
11	1011902	1-1/4" NPT Square Head Pipe Plug (Two Required)	35	1080050	1/4" Ball Valve
12	10100559	2 Outlet Electrical Control Box	36	1017019	Hex Nipple 1/4" x 1/4" (Three Required)
13	1011828	1-1/2" 90° Elbow with 1/2" Out (Two Required)	37	1012323	1/4-20 Zinc Lock Nut with Nylon Insert (Two Required)
14	1014015	1-1/2" Close Nipple (Four Required)	38	1030020	Blastmaster® 120VAC – 12VAC Converter (Optional)
15	1001806	2" Close Nipple (Two Required)	39	12154	1/4-20 x 1" Hex Bolt (Four Required)
16	10ME5	2" NPT (F) 4-Lug Air Hose Coupling	40	1014017	1/4" Flat Washer (Four Required)
17	1011604	2" Full Port Ball Valve	—	10103835	130E Remote Control System (Two Required)
18	10PVFIT1	1/4" x 1/8" Hex Union (Two Required)	—	1091020	Warning Plate
19	1011844	1/4" Pipe Tee – Galvanized (Two Required)	—	1091025	Hazard Identification Tag
20	10PAF025	Push On Fitting 1/4" x 1/4" NPT (12 Required)	—	1091045	Hazard Identification Tag
21	1011606A	1-1/4" Union End Ball Valve (Two Required)			
22	10SB2S	1-1/2" Straight Thread Pot Coupling (Two Required)			

# PART NUMBERS AND SCHEMATICS

Figure 11: 20 Cu. Ft. Abrasive Blasting Pots – 800 Moisture Separator – 120-Volt AC – Dual Outlet



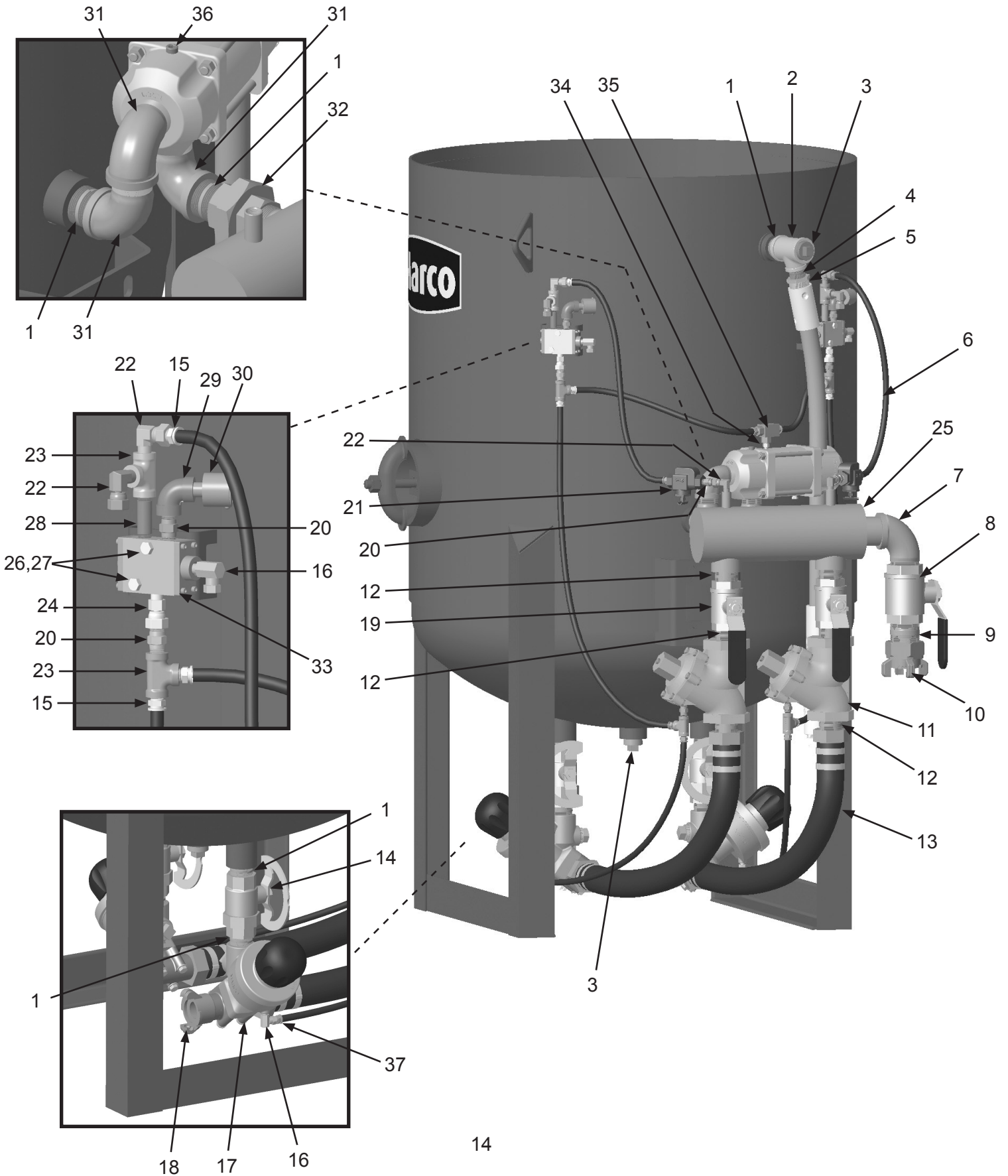
## PART NUMBERS AND SCHEMATICS

### 20 Cu. Ft. Abrasive Blasting Pots – Pneumatic – Dual Outlet – Pressure Release

Item #	Part #	Description	Item #	Part #	Description
<b>Fig. 12</b>			22	1012326	90° Swivel 1/4" x 1/4" <i>(Four Required)</i>
—	10108353	<b>20 Cu. Ft. Abrasive Blasting Pots – Pneumatic – Dual Outlet – Tungsten Carbide</b>	23	1011844	1/4" Pipe Tee – Galvanized <i>(Six Required)</i>
—	10109057	<b>20 Cu. Ft. Abrasive Blasting Pots – Pneumatic – Dual Outlet – Urethane</b>	24	10SME025	1/4" Straight Swivel <i>(Two Required)</i>
1	1011201	1-1/4" Close Nipple – Galvanized <i>(Seven Required)</i>	25	10106863	Manifold
2	1011817	1-1/4" x 1-1/4" x 1" Pipe Tee	26	1019044	1/4-20 x 1-3/4" Zinc Bolt <i>(Four Required)</i>
3	1011902	1-1/4" Square Head Plug <i>(Two Required)</i>	27	1012323	1/4-20 Zinc Lock Nut with Nylon Insert <i>(Four Required)</i>
4	1012151	1" Galvanized Close Nipple	28	1011217	1/4" x 2" Pipe Nipple <i>(Two Required)</i>
5	1012157	1-1/4" x 1" NPT Bushing	29	1011832	1/4" NPT 90° Pipe Nipple <i>(Two Required)</i>
6	10AH025	Push On Air Hose 1/4" I.D. 250 psi	30	10DE025	Dust Eliminator <i>(Two Required)</i>
7	10101265	2" x 90° Elbow	31	1011802	1-1/4" Steel Elbow <i>(Three Required)</i>
8	1011604	2" NPT Full Port Brass Ball Valve	32	1006502	1-1/4" Female Pipe Union
9	1001806	2" Close Nipple	33	1019000	190 Pneumatic Solenoid <i>(See Figure 33) (Two Required)</i>
10	10ME5	2" NPT (F) 4-Lug Air Hose Coupling	34	10PVFIT1	1/4" x 1/8" Hex Union
11	1013600	1-1/2" NPT High-flow GateKeeper Air Valve <i>(Two Required) (See Figure 21)</i>	35	1070747	1/4" NPT Shuttle Valve
12	1014015	1-1/2" Close Nipple <i>(Six Required)</i>	36	10105718	1/4" Hollow Hex Plug
13	—	1-1/2" Pusher Line Assembly <i>(See Figure 14)</i>	37	10PAF0125	1/8" NPT x 1/4" Barb Push-On Air Hose Fitting <i>(Two Required)</i>
14	1011606A	1-1/4" Union End Ball Valve <i>(Two Required)</i>	—	1012351	123P Remote Control System
15	10PAF025	Push On Fitting 1/4" x 1/4" NPT <i>(14 Required)</i>	—	1091020	Warning Plate
16	1014239	1/8" 90° Swivel Fitting <i>(Four Required)</i>	—	1091025	Hazard Identification Tag
17	10101946	Maxum III Valve 1-1/2" Urethane <i>(Two Required)</i>	—	1091045	Hazard Identification Tag
—	10101950	Maxum III Valve 1-1/2" Tungsten Carbide <i>(Two Required)</i>			
18	10SB2S	1-1/2" Straight Thread Coupling <i>(Two Required)</i>			
19	1011603	1-1/2" NPT Full Port Brass Ball Valve <i>(Two Required)</i>			
20	1017019	Hex Nipple 1/4" x 1/4" <i>(Eight Required)</i>			
21	10WS	Watts Strainer <i>(Two Required)</i>			
30	Blastmaster® 20 Cu. Ft. Abrasive Blasting Pots				

# PART NUMBERS AND SCHEMATICS

Figure 12: 20 Cu. Ft. Abrasive Blasting Pots – Pneumatic – Dual Outlet – Pressure Release



## PART NUMBERS AND SCHEMATICS

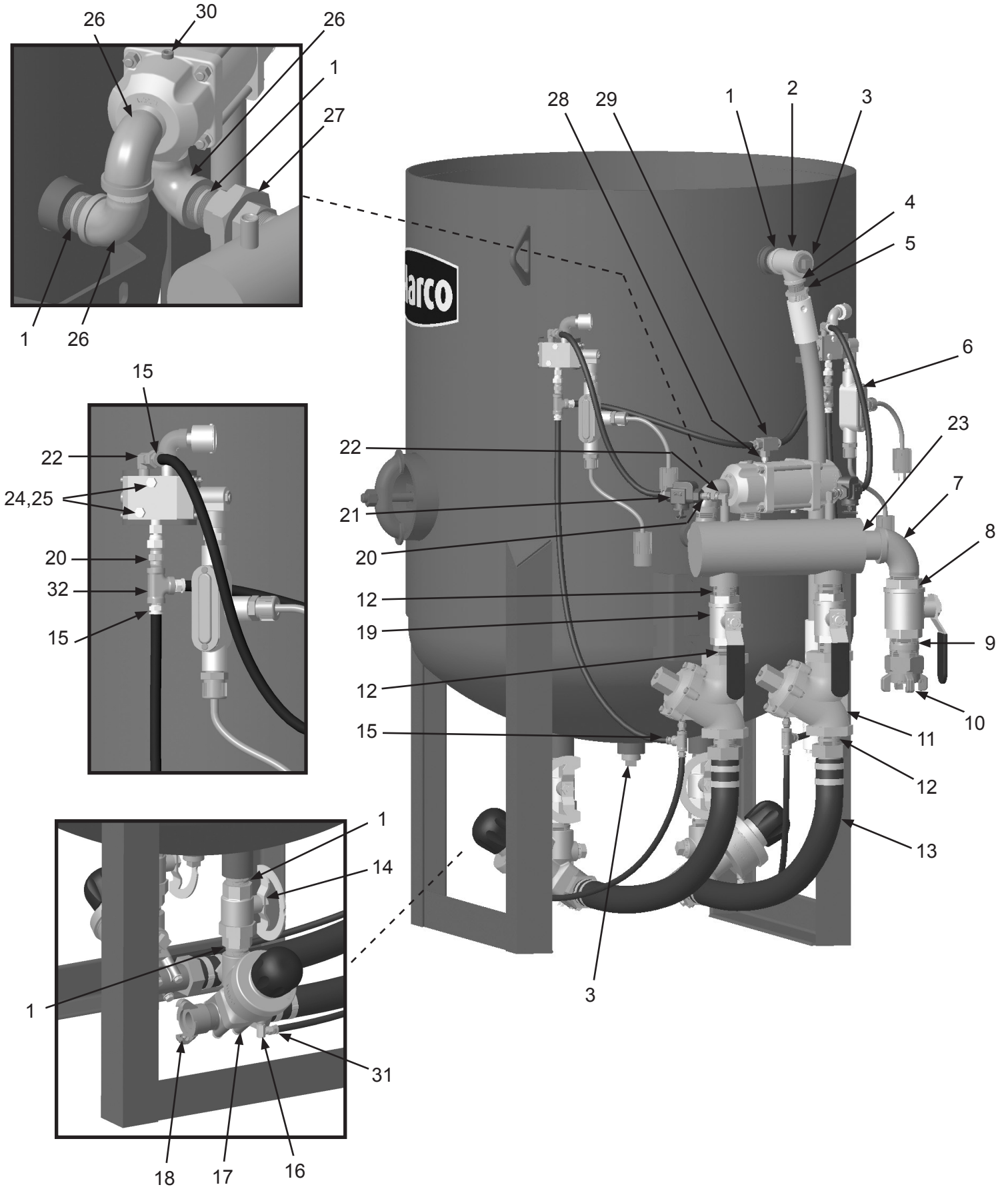
### 20 Cu. Ft. Abrasive Blasting Pots – 12 Volt DC – Dual Outlet – Pressure Release

Item #	Part #	Description	Item #	Part #	Description
<b>Fig. 13</b>			23	10106863	Manifold
—	<b>10109007</b>	<b>20 Cu. Ft. Abrasive Blasting Pots – 12-Volt DC – Dual Outlet – Tungsten Carbide</b>	24	1019044	1/4-20 x 1-3/4" Zinc Bolt ( <i>Four Required</i> )
1	1011201	1-1/4" Close Nipple – Galvanized ( <i>Seven Required</i> )	25	1012323	1/4-20 Zinc Lock Nut with Nylon Insert ( <i>Four Required</i> )
2	1011817	1-1/4" x 1-1/4" x 1" Pipe Tee	26	1011802	1-1/4" Steel Elbow ( <i>Three Required</i> )
3	1011902	1-1/4" Square Head Plug ( <i>Two Required</i> )	27	1006502	1-1/4" Female Pipe Union
4	1012151	1" Galvanized Close Nipple	28	10PVFIT1	1/4" x 1/8" Hex Union
5	1012157	1-1/4" x 1" NPT Bushing	29	1070747	1/4" NPT Shuttle Valve
6	10AH025	Push On Air Hose 1/4" I.D. 250 psi	30	10105718	1/4" Hollow Hex Plug
7	10101265	2" x 90° Elbow	31	10PAF0125	1/8" NPT x 1/4" Barb Push-On Air Hose Fitting ( <i>Two Required</i> )
8	1011604	2" NPT Full Port Brass Ball Valve	32	1011844	1/4" Pipe Tee – Galvanized ( <i>Four Required</i> )
9	1001806	2" Close Nipple	—	1012352	123E Remote Control System
10	10ME5	2" NPT (F) 4-Lug Air Hose Coupling	—	1091020	Warning Plate
11	1013600	1-1/2" NPT High-flow GateKeeper Air Valve ( <i>Two Required</i> ) ( <i>See Figure 21</i> )	—	1091025	Hazard Identification Tag
12	1014015	1-1/2" Close Nipple ( <i>Six Required</i> )	—	1091045	Hazard Identification Tag
13	—	1-1/2" Pusher Line Assembly ( <i>See Figure 14</i> )			
14	1011606A	1-1/4" Union End Ball Valve ( <i>Two Required</i> )			
15	10PAF025	Push On Fitting 1/4" x 1/4" NPT ( <i>14 Required</i> )			
16	1014239	1/8" 90° Swivel Fitting ( <i>Four Required</i> )			
17	10101946	Maxum III Valve 1-1/2" Urethane ( <i>Two Required</i> )			
—	10101950	Maxum III Valve 1-1/2" Tungsten Carbide ( <i>Two Required</i> )			
18	10SB2S	1-1/2" Straight Thread Coupling ( <i>Two Required</i> )			
19	1011603	1-1/2" NPT Full Port Brass Ball Valve ( <i>Two Required</i> )			
20	1017019	Hex Nipple 1/4" x 1/4" ( <i>Eight Required</i> )			
21	10WS	Watts Strainer ( <i>Two Required</i> )			
22	1012326	90° Swivel 1/4" x 1/4" ( <i>Four Required</i> )			



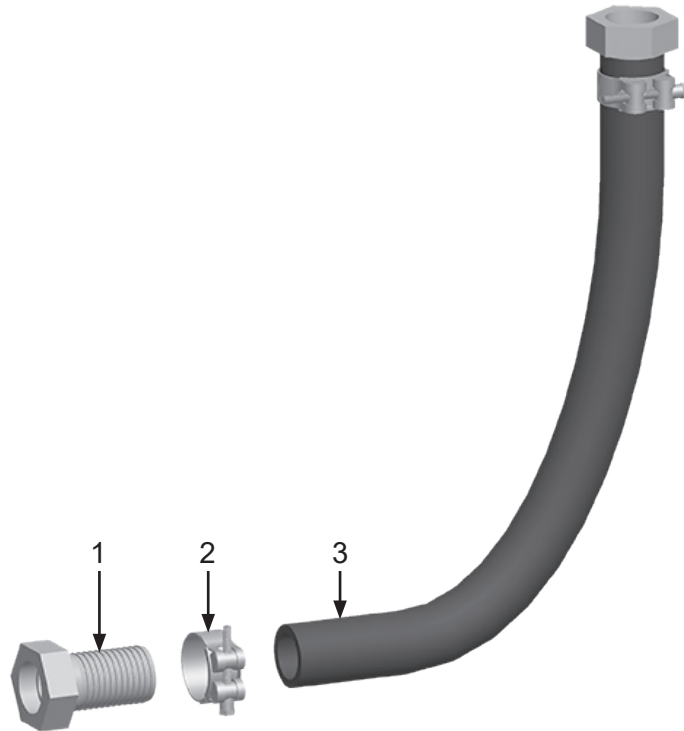
# PART NUMBERS AND SCHEMATICS

Figure 13: 20 Cu. Ft. Abrasive Blasting Pots – 12-Volt DC – Dual Outlet – Pressure Release



## PART NUMBERS AND SCHEMATICS

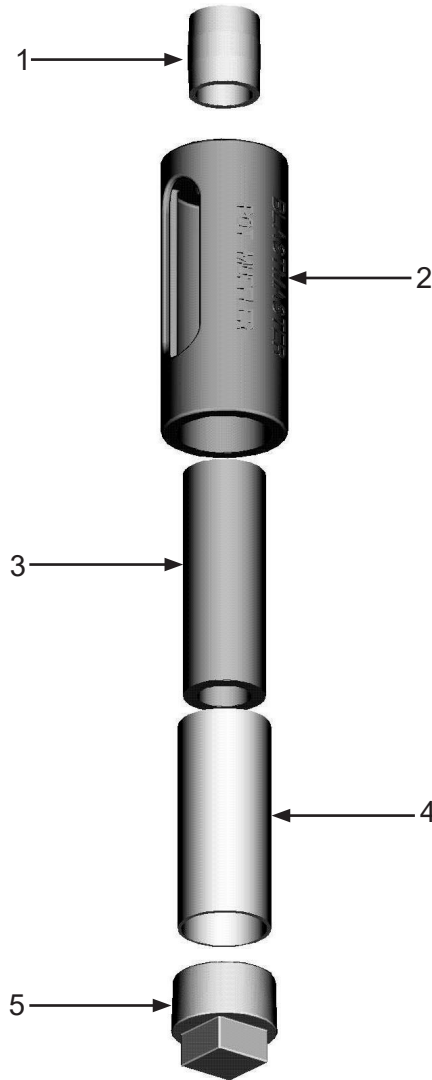
Figure 14: Pusher Line Assembly



Item #	Part #	Description
<b>Fig. 14</b>		
—	<b>1006312</b>	<b>1-1/2" I.D. Pusher Line Assembly</b> <i>Includes Item #: 1, 2, and 3 (Quantity of Three Feet)</i>
1	10SFE4	1-1/2" Female Swivel Air Hose End <i>(Two Required)</i>
2	10103738	1-1/2" T-Bolt Hose Clamp <i>(Two Required)</i>
3	10AH112B	1-1/2" I.D. Air Hose
—	10SFE4G	Gasket for 10SFE4 Swivel Air Hose End <i>(Not Shown)</i>
—	1090059	Technical Data Sheet – Pusher Line Assemblies

## PART NUMBERS AND SCHEMATICS

Figure 15: Exhaust Muffler Assembly



Item #	Part #	Description
<b>Fig. 15</b>		
—	<b>1011100</b>	<b>Blast Pot Exhaust Muffler – Complete</b>
1	1012151	1" Close Nipple
2	1011102	Body
3	1011103	Filter Element
4	1011104	Screen
5	1011101	1-1/2" Pipe Plug
—	1011105	Blast Pot Exhaust Muffler Service Kit <i>Includes Item #'s: 3 (Quantity of 3), 4, and 5</i>
—	106M347	Part Numbers and Schematics Guide – Blast Pot Exhaust Muffler

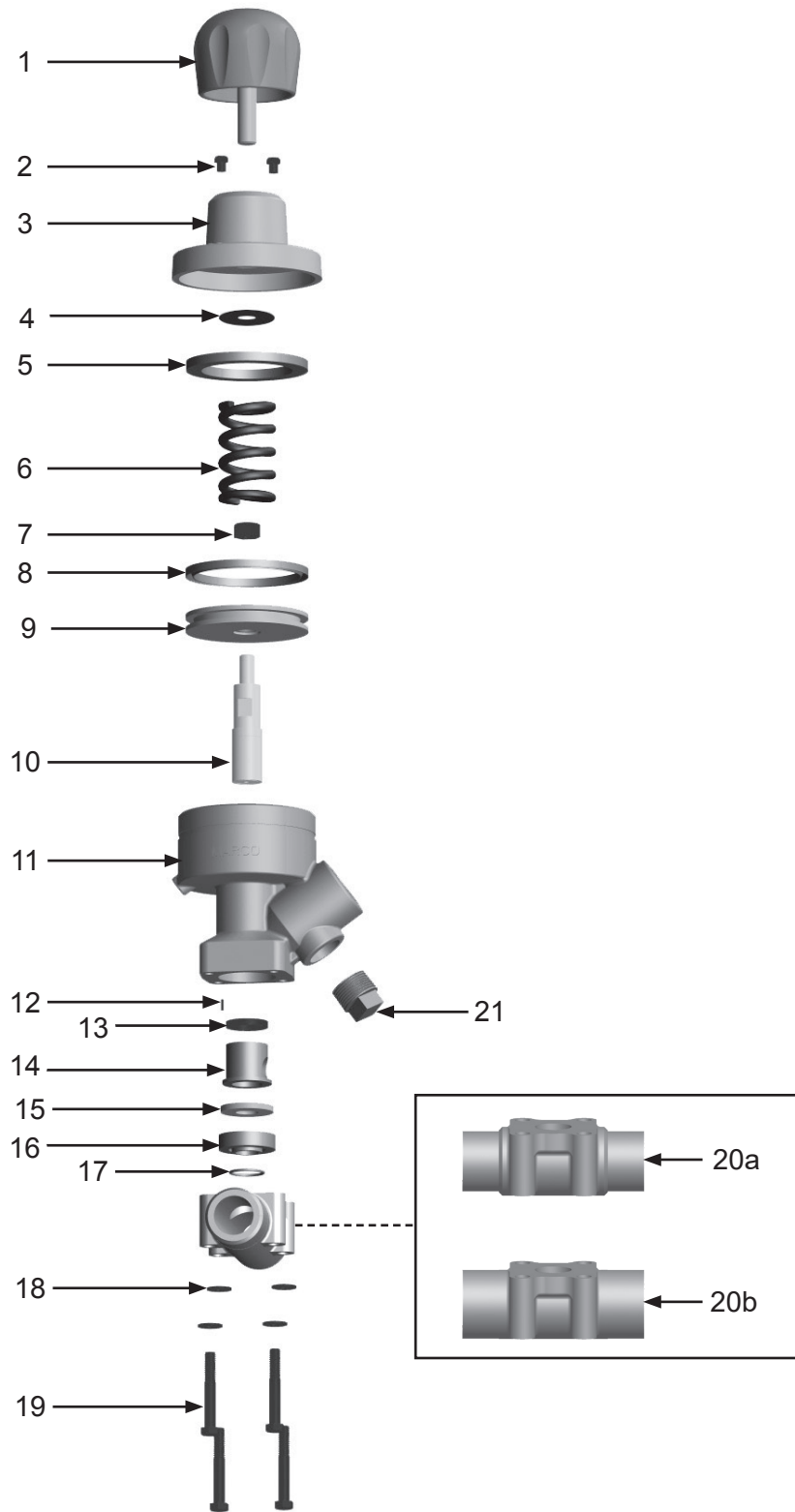
## PART NUMBERS AND SCHEMATICS

### Blastmaster® Maxum III Abrasive Metering Valve

Item #	Part #	Description
<b>Fig. 16</b>		
—	<b>10101949</b>	<b>1-1/4" Blastmaster® Maxum III Abrasive Metering Valve – Tungsten Carbide Sleeve – Complete</b>
—	<b>10105907</b>	<b>1-1/4" Blastmaster® Maxum III Abrasive Metering Valve – Multi-port Sleeve – Complete</b>
—	<b>10101950</b>	<b>1-1/2" Blastmaster® Maxum III Abrasive Metering Valve – Tungsten Carbide Sleeve – Complete</b>
—	<b>10105908</b>	<b>1-1/2" Blastmaster® Maxum III Abrasive Metering Valve – Multi-port Sleeve – Complete</b>
1	10101969	Knob
2	1012905	1/8" Breather Muffler <i>(Two Required)</i>
3	1014211	Cap
4	10106831	Vibration Disc
5	1014212	Bump Ring
6	1014213	Spring
7	1014022	1/2–13 Nut
8	1014215	Piston Seal
9	1014216	Piston
10	1014217	Tungsten Carbide Plunger
11	10101772	Body
12	1014240	3/32" x 3/8" Groove Pin
13	10103977	Heavy-Duty Plunger Seal
14	1014238	Tungsten Carbide Sleeve
—	10102123	Carbon Steel Sleeve- Multi-Port - <i>Optional (Orifice sizes: 0.178", 0.218", 0.278" and 0.343")</i>
15	1014237	Seat for Tungsten Carbide Sleeve
16	1014236	Insert for Tungsten Carbide Sleeve
17	1014235	O-ring for Tungsten Carbide Sleeve
18	1014241	3/8" Washer <i>(Four Required)</i>
19	10101933	3/8–16 x 2-1/2" Bolt <i>(Four Required)</i>
20a	10105907	1-1/4" Base, Through Hardened <i>(For use with 10101949)</i>
20b	10105908	1-1/2" Base, Through Hardened <i>(For use with 10101950)</i>
21	1011901	1" Square Pipe Plug
—	1014243	Repair Kit with Tungsten Carbide Sleeve <i>(Includes Item #'s: 8, 10, 13, 14, 15, 16, and 17)</i>
—	10105909	Repair Kit with Carbon Steel Multi-port Sleeve <i>(Includes Item #'s: 8, 10, 13, 14, 15, 16, and 17)</i>
—	1014221	Soft Seal Kit <i>(Includes Item #'s: 8, 13, 15 and 17)</i>
—	1091045	Hazard Identification Tag

# PART NUMBERS AND SCHEMATICS

Figure 16: Blastmaster® Maxum III Abrasive Metering Valve



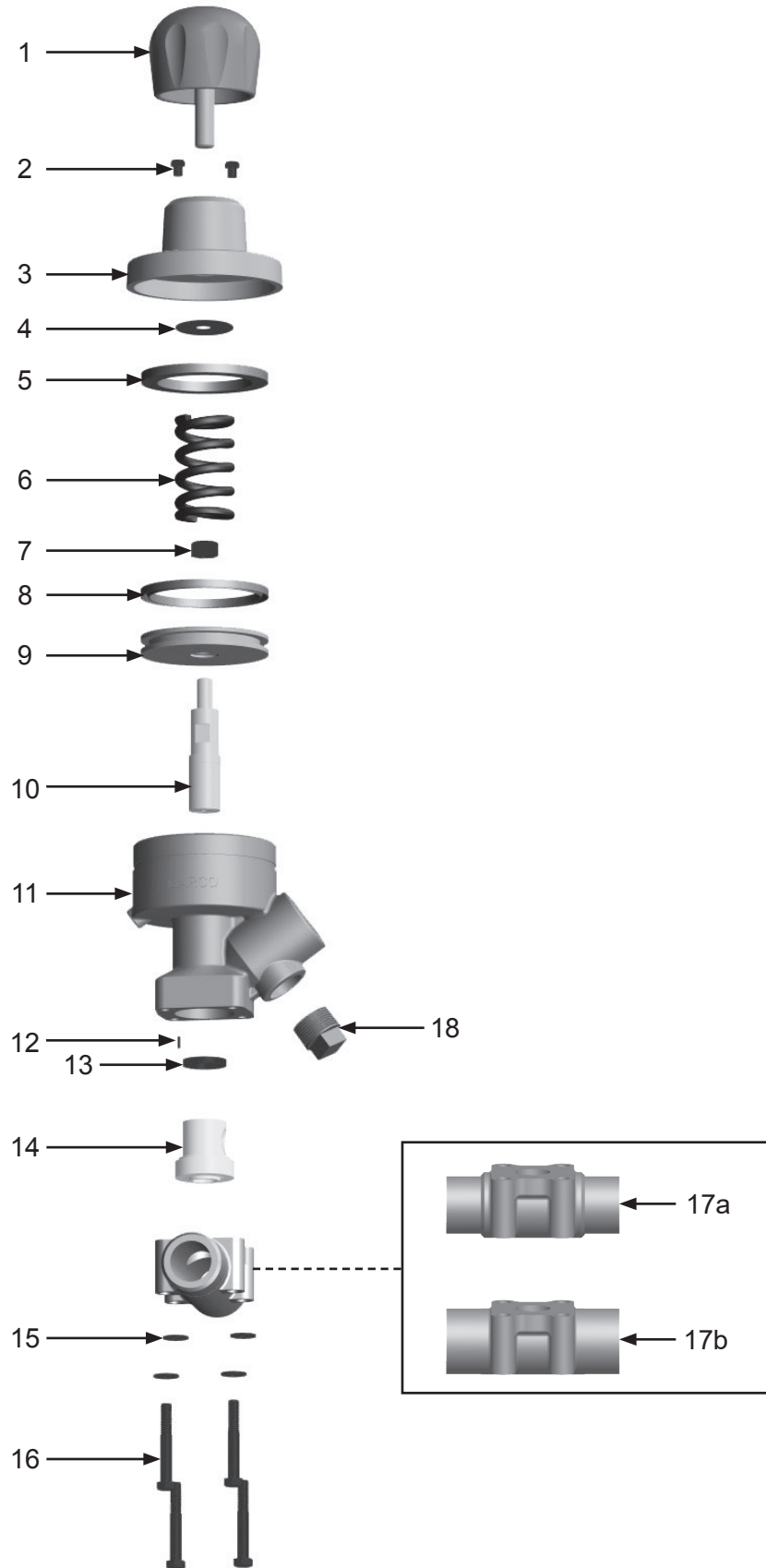
## PART NUMBERS AND SCHEMATICS

### Blastmaster® Maxum III Abrasive Metering Valve – Urethane Sleeve

Item #	Part #	Description
<b>Fig. 17</b>		
—	<b>10101945</b>	<b>1-1/4" Blastmaster® Maxum III Abrasive Metering Valve – Urethane Sleeve – Complete</b>
—	<b>10101946</b>	<b>1-1/2" Blastmaster® Maxum III Abrasive Metering Valve – Urethane Sleeve – Complete</b>
1	10101969	Knob
2	1012905	1/8" Breather Muffler <i>(Two Required)</i>
3	1014211	Cap
4	10106831	Vibration Disc
5	1014212	Bump Ring
6	1014213	Spring
7	1014022	1/2–13 Nut
8	1014215	Piston Seal
9	1014216	Piston
10	1014217	Tungsten Carbide Plunger
11	10101772	Body
12	1014240	3/32" x 3/8" Groove Pin
13	10103977	Heavy-Duty Plunger Seal
14	1014229	Urethane Sleeve
15	1014241	3/8" Washer <i>(Four Required)</i>
16	10101933	3/8–16 x 2-1/2" Bolt <i>(Four Required)</i>
17a	10000229	1-1/4" Base, Through Hardened <i>(For use with 10101945)</i>
17b	10000230	1-1/2" Base, Through Hardened <i>(For use with 10101946)</i>
18	1011901	1" Square Pipe Plug
—	1014244	Repair Kit with Urethane Sleeve <i>(Includes Item #'s: 8, 10, 13 and 14)</i>
—	1014222	Soft Seal Kit <i>(Includes Item #'s: 8, 13, and 14)</i>
—	1091045	Hazard Identification Tag

## PART NUMBERS AND SCHEMATICS

Figure 17: Blastmaster® Maxum III Abrasive Metering Valve – Urethane Sleeve



## PART NUMBERS AND SCHEMATICS

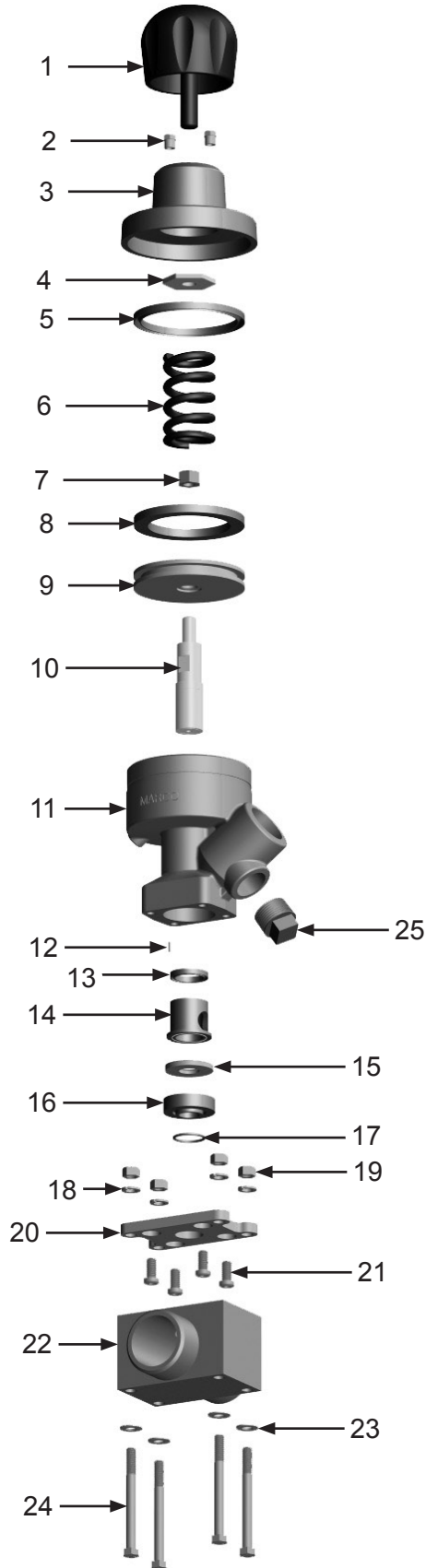
### Blastmaster® Maxum III Abrasive Metering Valve — Tungsten Carbide Sleeve — 2”

Item #	Part #	Description
<b>Fig. 18</b>		
—	<b>10105872</b>	<b>2” Blastmaster® Maxum III Abrasive Metering Valve – Tungsten Carbide Sleeve – Complete</b>
1	10101969	Knob
2	1012905	1/8" Breather Muffler <i>(Two Required)</i>
3	1014211	Cap
4	10106831	Vibration Disc
5	1014212	Bump Ring
6	1014213	Spring
7	1014022	1/2–13 Nut
8	1014215	Piston Seal
9	1014216	Piston
10	1014217	Tungsten Carbide Plunger
11	10101772	Body
12	1014240	3/32" x 3/8" Groove Pin
13	10103977	Heavy-Duty Plunger Seal
14	1014238	Tungsten Carbide Sleeve
15	1014237	Seat for Tungsten Carbide Sleeve
16	1014236	Insert for Tungsten Carbide Sleeve
17	1014235	O-ring for Tungsten Carbide Sleeve
18	10101936	3/8" Washer <i>(Four Required)</i>
19	10101938	3/8–16 Hex Nut <i>(Four Required)</i>
20	10105568	Adapter Plate
21	10105570	3/8-16 x 3/4" Socket Head Cap Screw <i>(Four Required)</i>
22	10105567	2" Base, Through Hardened <i>(For use with 10105573)</i>
23	1014241	3/8" Washer <i>(Four Required)</i>
24	10105569	3/8–16 x 3-3/4" Bolt <i>(Four Required)</i>
25	1011901	1" Square Pipe Plug
—	1014243	Repair Kit with Tungsten Carbide Sleeve <i>(Includes Item #'s: 8, 10, 13, 14, 15, 16, and 17)</i>
—	1014221	Soft Seal Kit <i>(Includes Item #'s: 8, 13, 15 and 17)</i>
—	1091045	Hazard Identification Tag



## PART NUMBERS AND SCHEMATICS

Figure 18: Blastmaster® Maxum III Abrasive Metering Valve — Tungsten Carbide Sleeve — 2”



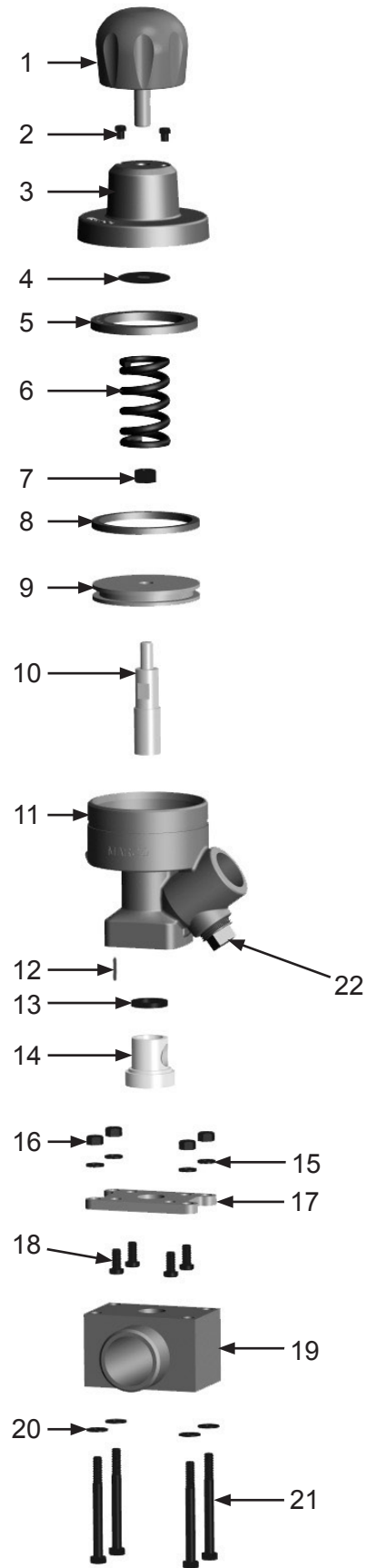
## PART NUMBERS AND SCHEMATICS

### Blastmaster® Maxum III Abrasive Metering Valve — Urethane Sleeve — 2”

Item #	Part #	Description
<b>Fig. 19</b>		
—	<b>10105573</b>	<b>2” Blastmaster® Maxum III Abrasive Metering Valve – Urethane Sleeve – Complete</b>
1	10101969	Knob
2	1012905	1/8" Breather Muffler ( <i>Two Required</i> )
3	1014211	Cap
4	10106831	Vibration Disc
5	1014212	Bump Ring
6	1014213	Spring
7	1014022	1/2–13 Nut
8	1014215	Piston Seal
9	1014216	Piston
10	1014217	Tungsten Carbide Plunger
11	10101772	Body
12	1014240	3/32" x 3/8" Groove Pin
13	10103977	Heavy-Duty Plunger Seal
14	1014229	Urethane Sleeve
15	10101936	3/8" Washer ( <i>Four Required</i> )
16	10101938	3/8–16 Hex Nut ( <i>Four Required</i> )
17	10105568	Adapter Plate
18	10105570	3/8-16 x 3/4" Socket Head Cap Screw ( <i>Four Required</i> )
19	10105567	2" Base, Through Hardened ( <i>For use with 10105573</i> )
20	1014241	3/8" Washer ( <i>Four Required</i> )
21	10105569	3/8–16 x 3-3/4" Bolt ( <i>Four Required</i> )
22	1011901	1" Square Pipe Plug
—	1014244	Repair Kit with Urethane Sleeve ( <i>Includes Item #'s: 8, 10, 13 and 14</i> )
—	1014222	Soft Seal Kit ( <i>Includes Item #'s: 8, 13, and 14</i> )
—	1091045	Hazard Identification Tag

## PART NUMBERS AND SCHEMATICS

Figure 19: Blastmaster® Maxum III Abrasive Metering Valve — Urethane Sleeve — 2”



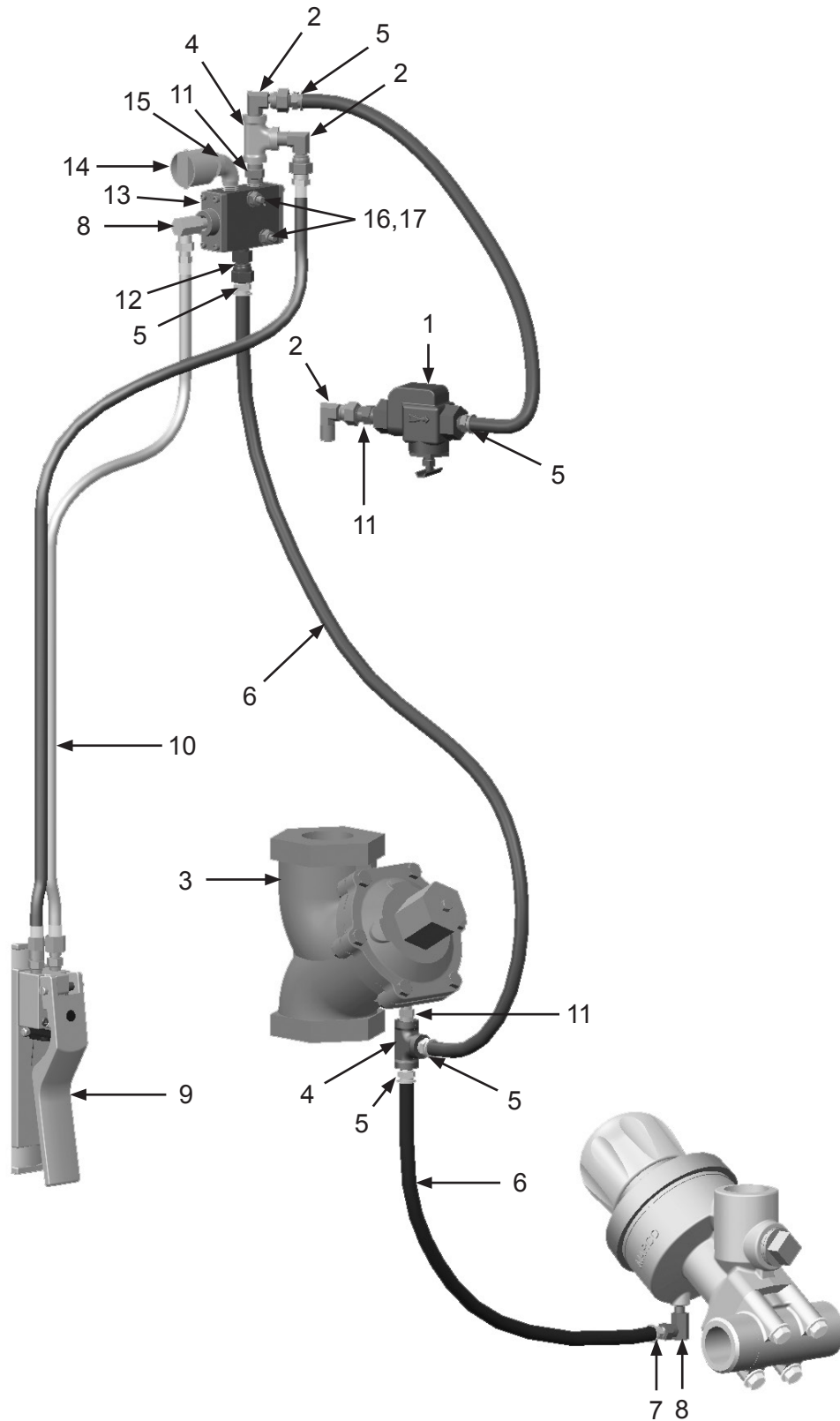
## PART NUMBERS AND SCHEMATICS

### Blastmaster® 130P Remote Control System

Item #	Part #	Description
<b>Fig. 20</b>		
—	<b>10103834</b>	<b>Blastmaster® 130P Remote Control System — Complete</b>
1	10WS	Watts Strainer
2	1012326	1/4" Swivel 90° Fitting ( <i>Three Required</i> )
3	1013600	1-1/2" NPT High-flow GateKeeper Air Valve ( <i>See Figure 20</i> )
4	1011844	1/4" NPT Pipe Tee ( <i>Two Required</i> )
5	10PAF025	1/4" Push-On Hose Fitting ( <i>Five Required</i> )
6	10AH025	1/4" Push-On Air Hose ( <i>Per Foot</i> )
7	10PAF0125	1/8" Push-On Air Hose Fitting
8	1014239	1/8" 90° Swivel Fitting ( <i>Two Required</i> )
9	1015200	Blastmaster® 152P Remote Control Switch
10	1016000	55 ft. of Pneumatic Control Line with 1/4" & 1/8" Male and Female Fittings
11	1017019	1/4" x 1/4" Hex Nipple ( <i>Three Required</i> )
12	10SME025	1/4" Straight Swivel
13	1019000	190 Pneumatic Solenoid ( <i>See Figure 31</i> )
14	10DE025	1/4" NPT Dust Eliminator
15	1011824	1/4" Street Elbow
16	1019044	1/4-20 x 1-3/4" Zinc Bolt ( <i>Two Required</i> )
17	1012323	1/4-20 Zinc Lock Nut with Nylon ( <i>Two Required</i> )
—	1091045	Hazard Identification Tag

# PART NUMBERS AND SCHEMATICS

Figure 20: Blastmaster® 130P Remote Control System



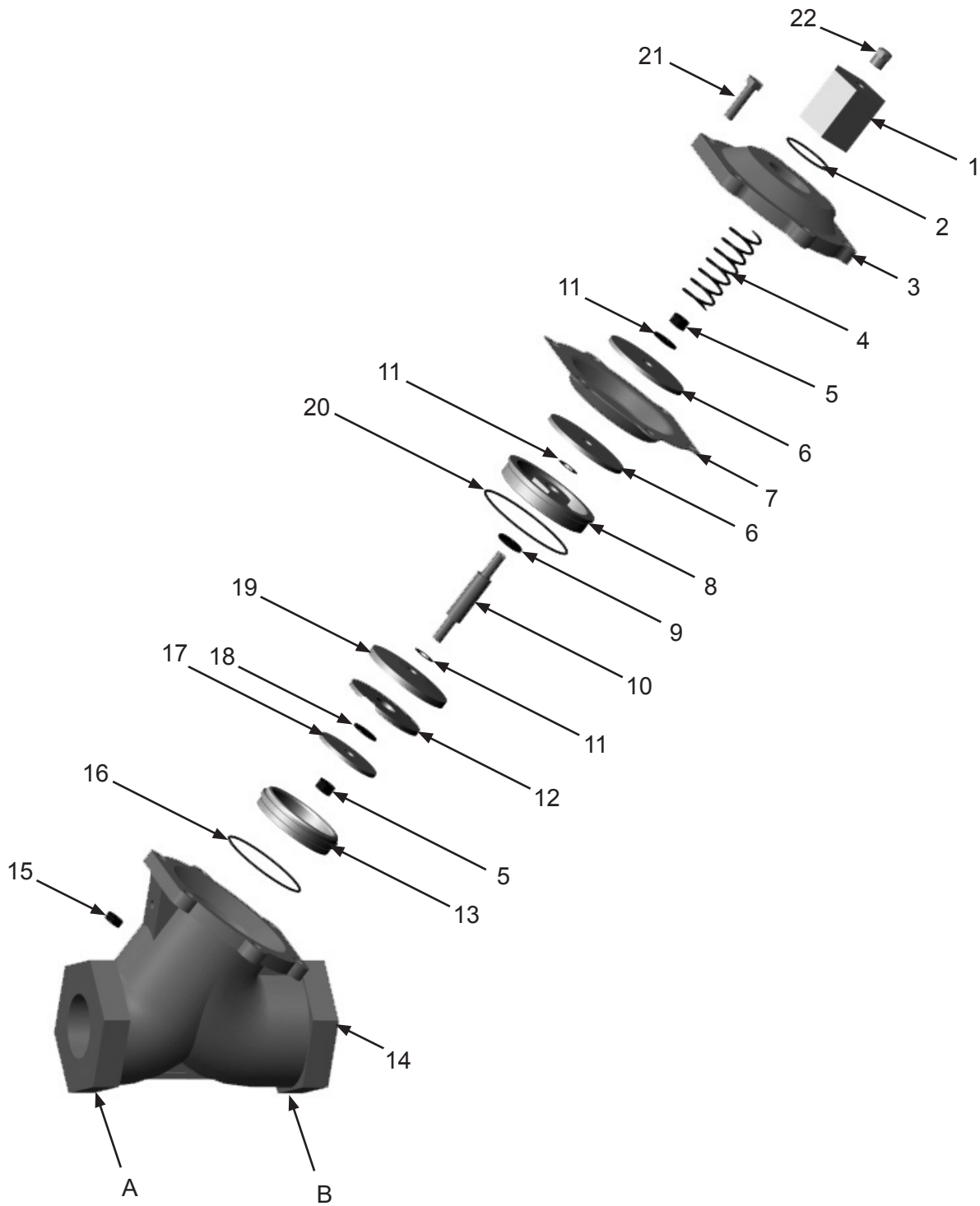
## PART NUMBERS AND SCHEMATICS

### 1-1/2" NPT High-flow GateKeeper Air Valve

Item #	Part #	Description
<b>Fig. 21</b>		
—	<b>1013600</b>	<b>1-1/2" NPT High-flow GateKeeper Air Valve</b>
1	1013322	Spring Retainer
2	1013326	O-ring
3	1013312	Cap
4	1013323	Spring
5	1013313	Lock Nut
6	1013315	Diaphragm Plate ( <i>Two Required</i> )
7	1013303	Diaphragm
8	1013305	Retainer Bushing
9	1013306	O-ring
10	1013318	Shaft
11	1013302	Gasket ( <i>Two Required</i> )
12	1013320	Disc
13	1013311	Lock Nut
13	1013309	Seat
14	1013328	Body
15	1013316	Nut ( <i>Six Required</i> )
16	1013308	Seat O-Ring
17	1013310	Disc Plate
18	1013327	Brass Washer
19	1013307	Disc Retainer
20	1013304	O-ring
21	1013314	Cap Screw ( <i>Six Required</i> )
22	1012905	1/8" Breather Muffler
A	1091050	Sticker - Air Outlet
B	1091051	Sticker - Air Inlet
—	1013301	1-1/2" NPT High-flow GateKeeper Air Valve Service Kit (Includes Item #'s: 5, 7, 9, 11, 12, 17, and 20)

# PART NUMBERS AND SCHEMATICS

Figure 21: 1-1/2" NPT High-flow GateKeeper Air Valve



## PART NUMBERS AND SCHEMATICS

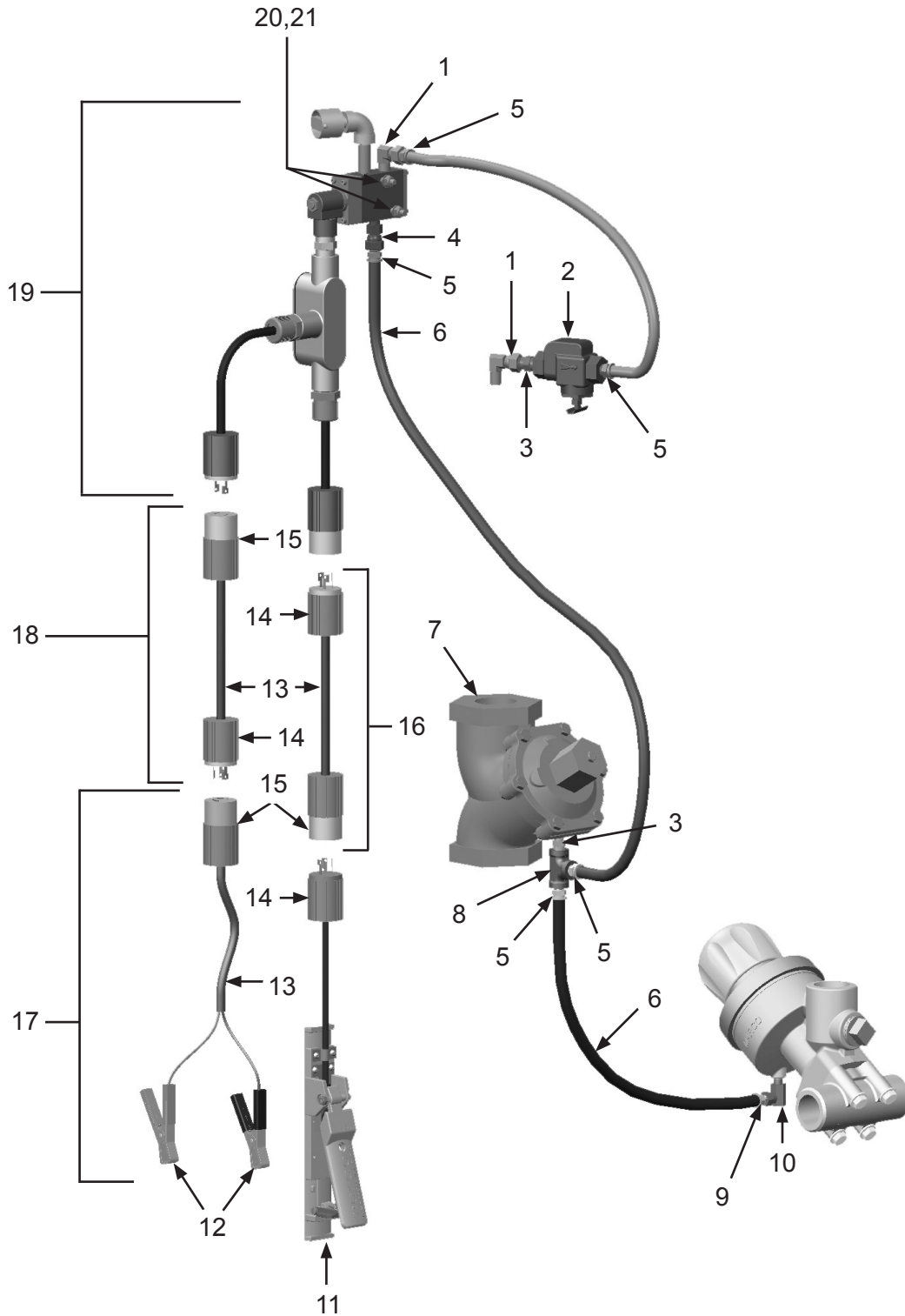
### 12-Volt DC Blastmaster® 130E Remote Control System

Item #	Part #	Description
<b>Fig. 22</b>		
—	<b>10103835</b>	<b>12-Volt DC Blastmaster® 130E Remote Control System – Complete</b>
1	1012326	1/4" NPT Swivel 90° Fitting <i>(Two Required)</i>
2	10WS	Watts Strainer
3	1017019	1/4" NPT Hex Nipple <i>(Two Required)</i>
4	10SME025	1/4" Straight Swivel
5	10PAF025	1/4" NPT x 1/4" Barb Push-On Hose Fitting <i>(Five Required)</i>
6	10AH025	1/4" Push-On Air Hose <i>(Per Foot)</i>
7	1013600	1-1/2" NPT High-flow GateKeeper Air Valve <i>(See Figure 21)</i>
8	1011844	1/4" NPT Pipe Tee
9	10PAF0125	1/8" NPT x 1/4" Barb Push-On Air Hose Fitting
10	1014239	1/8" 90° Swivel Fitting
11	1015100	Blastmaster® 151E Remote Control Switch
12	1030718	Battery Clamps – pair
13	1015540	16/2 Power Cord <i>(Per Foot)</i>
14	1015555	3-prong Twist-Lock Plug – Male
15	1015556	3-prong Twist-Lock Plug – Female
16	1015545	50' of 16/2 Power Cord with 3-prong Twist-Lock Plugs <i>(Includes Item #'s: 15, 16, and 14 (Quantity of 50 Feet))</i>
17	1015544	Battery Clamp Kit with 3-prong Twist-Lock Plug Installed <i>(Includes Item #'s: 13, 16, and 14 (Quantity of Two Feet))</i>
18	1015546	16/2 SJ Power Cord with 3-prong Twist-Lock Plugs Installed <i>(Includes Item #'s: 15, 16, and 14 (Quantity of 25 Feet))</i>
19	1019051	12-Volt DC 190 Electric Control Assembly <i>(See Figure 26)</i>
20	1019044	1/4-20 x 1-3/4" Zinc Bolt <i>(Two Required)</i>
21	1012323	1/4-20 Zinc Lock Nut with Nylon <i>(Two Required)</i>
—	1091045	Hazard Identification Tag



# PART NUMBERS AND SCHEMATICS

Figure 22: 12-Volt DC Blastmaster® 130E Remote Control System



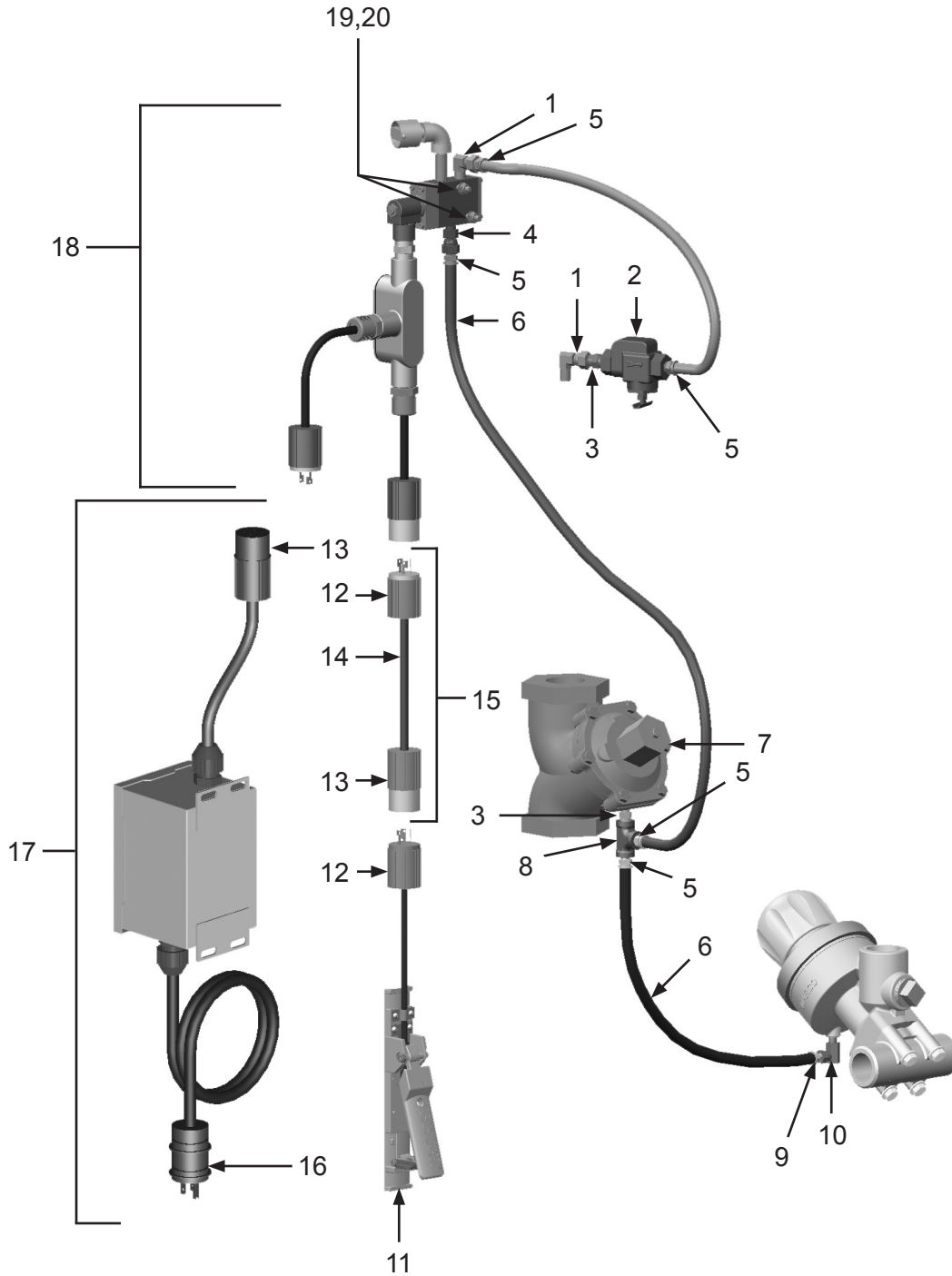
## PART NUMBERS AND SCHEMATICS

### 120-Volt AC Blastmaster® 130E Remote Control System

Item #	Part #	Description
<b>Fig. 23</b>		
—	<b>10103836</b>	<b>120-Volt AC Blastmaster® 130E Remote Control System – Single Outlet – Complete</b>
1	1012326	1/4" NPT Swivel 90° Fitting ( <i>Two Required</i> )
2	10WS	Watts Strainer
3	1017019	1/4" NPT Hex Nipple ( <i>Two Required</i> )
4	10SME025	1/4" Straight Swivel
5	10PAF025	1/4" NPT x 1/4" Barb Push-On Hose Fitting ( <i>Five Required</i> )
6	10AH025	1/4" Push-On Air Hose ( <i>Per Foot</i> )
7	1013600	1-1/2" NPT High-flow GateKeeper Air Valve ( <i>See Figure 21</i> )
8	1011844	1/4" NPT Pipe Tee
9	10PAF0125	1/8" NPT x 1/4" Barb Push-On Air Hose Fitting
10	1014239	1/8" 90° Swivel Fitting
11	1015100	Blastmaster® 151E Remote Control Switch
12	1015555	3-Prong Twist-Lock Plug – Male ( <i>Two Required</i> )
13	1015556	3-Prong Twist-Lock Plug – Female
14	1015540	16/2 Power Cord ( <i>Per Foot</i> )
15	1015545	50' of 16/2 Power Cord with 3-prong Twist-Lock Plugs Installed ( <i>Includes Item #'s: 13, 14, and 15 (Quantity of 50 Feet)</i> )
16	1030026	120-Volt 3-prong Standard Male Plug
17	10100713	3 Amp 120-Volt AC to 12-Volt AC Power Converter ( <i>Includes Item #'s: 14 and 17</i> )
18	1019052	12-Volt DC 190 Electric Control Assembly ( <i>See Figure 30</i> )
19	1019044	1/4-20 x 1-3/4" Zinc Bolt ( <i>Two Required</i> )
20	1012323	1/4-20 Zinc Lock Nut with Nylon ( <i>Two Required</i> )
—	1091045	Hazard Identification Tag

# PART NUMBERS AND SCHEMATICS

Figure 23: 120-Volt AC Blastmaster® 130E Remote Control System



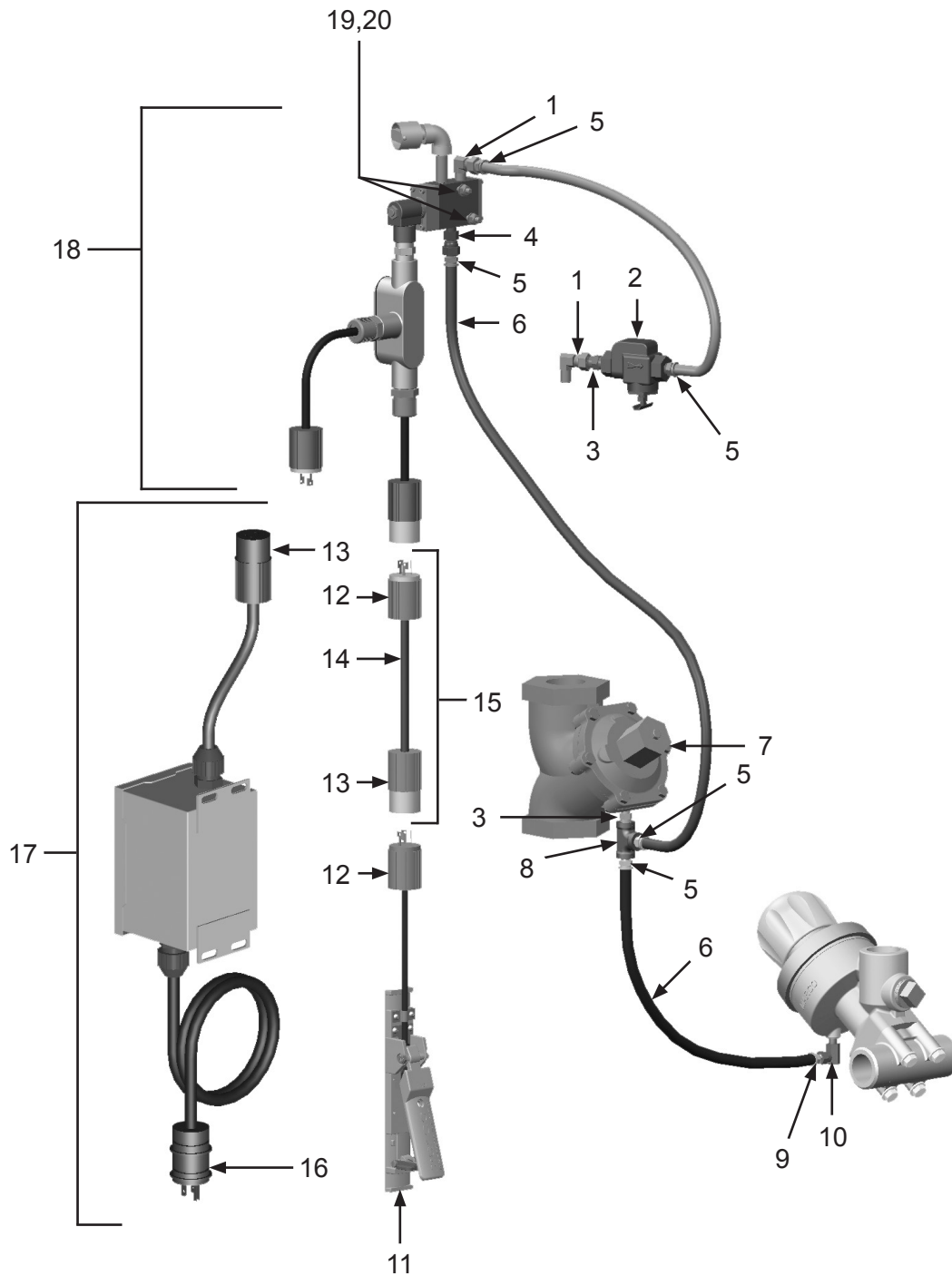
## PART NUMBERS AND SCHEMATICS

### 120-Volt AC Blastmaster® 130E Remote Control System - Multiple Outlet

Item #	Part #	Description
<b>Fig. 24</b>		
—	<b>10103870</b>	<b>120-Volt AC Blastmaster® 130E Remote Control System – 2-Outlet Complete</b>
—	<b>10103871</b>	<b>120-Volt AC Blastmaster® 130E Remote Control System – 3-Outlet Complete</b>
—	<b>10103872</b>	<b>120-Volt AC Blastmaster® 130E Remote Control System – 4-Outlet Complete</b>
1	1012326	1/4" NPT Swivel 90° Fitting <i>(Two Required)</i>
2	10WS	Watts Strainer
3	1017019	1/4" NPT Hex Nipple <i>(Two Required)</i>
4	10SME025	1/4" Straight Swivel
5	10PAF025	1/4" NPT x 1/4" Barb Push-On Hose Fitting <i>(Five Required)</i>
6	10AH025	1/4" Push-On Air Hose <i>(Per Foot)</i>
7	1013600	1-1/2" NPT High-flow GateKeeper Air Valve <i>(See Figure 21)</i>
8	1011844	1/4" NPT Pipe Tee
9	10PAF0125	1/8" NPT x 1/4" Barb Push-On Air Hose Fitting
10	1014239	1/8" 90° Swivel Fitting
11	1015100	Blastmaster® 151E Remote Control Switch
12	1015555	3-Prong Twist-Lock Plug – Male <i>(Two Required)</i>
13	1015556	3-Prong Twist-Lock Plug – Female
14	1015540	16/2 Power Cord <i>(Per Foot)</i>
15	1015545	50' of 16/2 Power Cord with 3-prong Twist-Lock Plugs Installed <i>(Includes Item #'s: 13, 14, and 15 (Quantity of 50 Feet))</i>
16	1030026	120-Volt 3-prong Standard Male Plug
17	10100713	3 Amp 120-Volt AC to 12-Volt AC Power Converter <i>(Includes Item #'s: 14 and 17)</i>
18	1019052	12-Volt DC 190 Electric Control Assembly <i>(See Figure 30)</i>
19	1019044	1/4-20 x 1-3/4" Zinc Bolt <i>(Two Required)</i>
20	1012323	1/4-20 Zinc Lock Nut with Nylon <i>(Two Required)</i>
—	1091045	Hazard Identification Tag

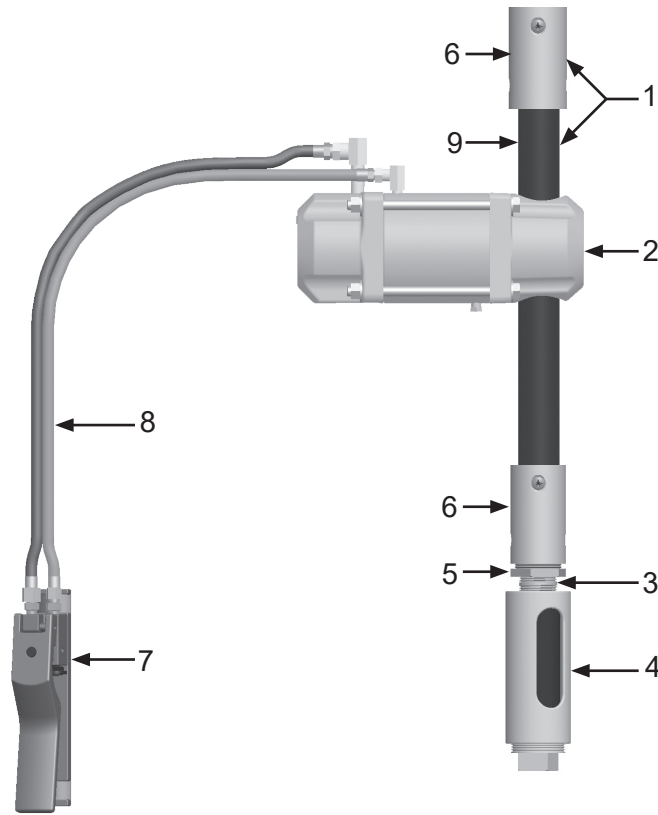
# PART NUMBERS AND SCHEMATICS

Figure 24: 120-Volt AC Blastmaster® 130E Remote Control System - Multiple Outlet



## PART NUMBERS AND SCHEMATICS

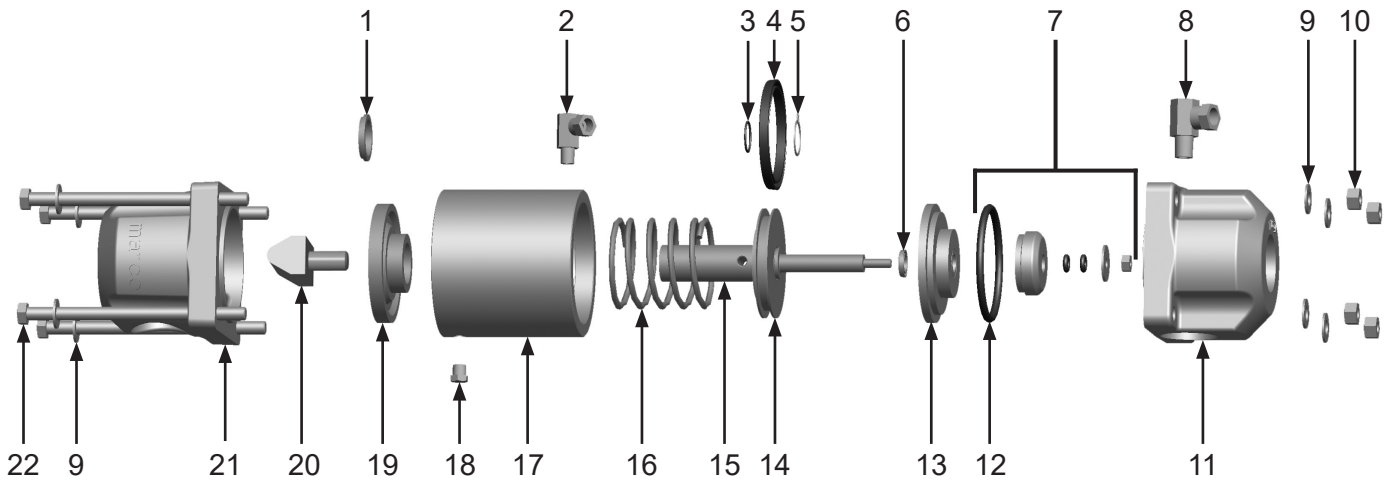
Figure 25: Blastmaster® 123P Remote Control System



Item #	Part #	Description
<b>Fig. 25</b>		
—	<b>1012351</b>	<b>Blastmaster® 123P Remote Control System – Complete</b>
1	1012350	Blowdown Hose Assembly (Includes Item #'s: 6 and 9 (Quantity of Two Feet))
2	1012300	Tandem Remote Control Valve – Complete (See Figure 26)
3	1012151	1" Close Nipple
4	1011100	Blastmaster® Exhaust Muffler (See Figure 15)
5	1012157	1-1/4" x 1" Bushing
6	10NHA1	1-1/4" Aluminum Nozzle Holder
7	1015200	Blastmaster® 152P Remote Control Switch
8	1016000	55 Feet of Coupled Control Line with 1/4" and 1/8" Fittings
9	10BH0342BR	3/4" I.D. Abrasive Blasting Hose (sold per foot)
—	106M007	Part Numbers & Schematics Guide – Blastmaster® 123P Remote Control System
—	106M068	Part Numbers & Schematics Guide – Blastmaster® 152P Remote Control Switch
—	1090007	Operator's Manual – Blastmaster® 123P Remote Control System
—	1090068	Operator's Manual – Blastmaster® 152 Remote Control Switch

## PART NUMBERS AND SCHEMATICS

Figure 26: Tandem Remote Control Valve



Item #	Part #	Description
Fig. 26		
—	<b>1012300</b>	<b>Tandem Remote Control Valve</b>
1	1012308	Seal – Upper Rod Guide
2	1014239	1/8" 90° Swivel Fitting
3	1012312	O-ring – Shaft
4	1012317	Seal – Piston
5	1012313	13/16" External Snap Ring
6	1012314	Seal – Lower Rod Guide
7	1012322	Valve Plug Assembly ( <i>Includes Item #12</i> )
8	1012326	1/4" 90° Swivel Fitting
9	1014241	3/8" Washer ( <i>Eight Required</i> )
10	1012318	3/8-16 Nut ( <i>Four Required</i> )
11	1012321	Base
12	1012320	O-ring – Lower Rod Guide
13	1012319	Lower Rod Guide
14	1012315	Piston
15	1012316	Shaft
16	1012309	Spring
17	1012311	Cylinder
18	1012905	1/8" Breather Muffler
19	1012307	Upper Rod Guide
20	1012306	Pinch Ram
21	1012305	Cap
22	1012310	3/8-16 x 6" Bolt ( <i>Four Required</i> )
—	1012301	Tandem Remote Control Valve Repair Kit ( <i>Includes Item #'s: 1, 3–7, and 12</i> )
—	1091072	Hazard Identification Tag

## PART NUMBERS AND SCHEMATICS

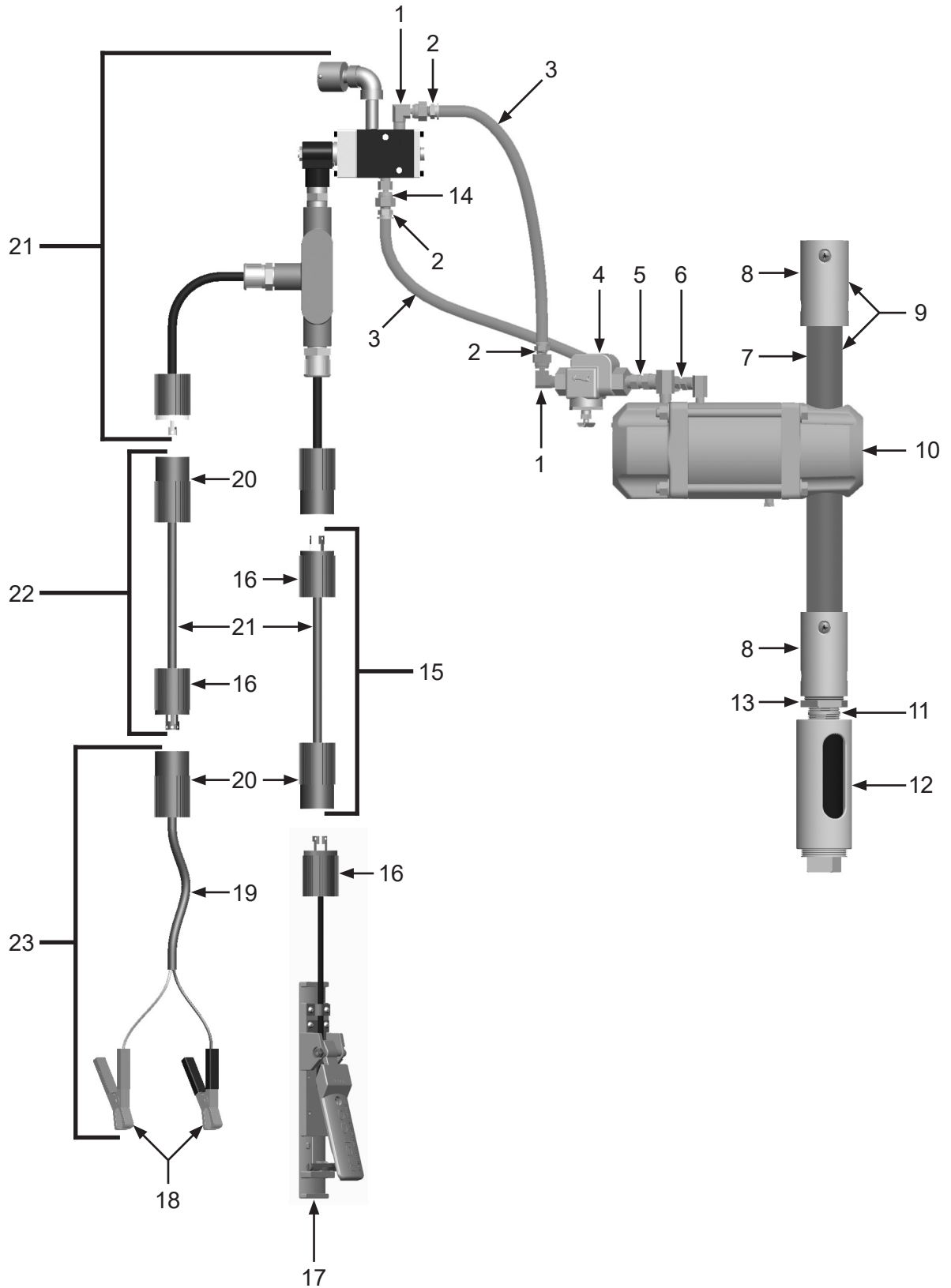
### 12-Volt DC Blastmaster® 123E Remote Control System

Item #	Part #	Description
<b>Fig. 27</b>		
—	<b>1012352</b>	<b>12-Volt DC Blastmaster® 123E Remote Control System – Complete</b>
1	1012326	1/4" 90° Swivel Fitting <i>(Two Required)</i>
2	10PAF025	1/4" NPT x 1/4" Barb Push-on Air Hose Fitting <i>(Three Required)</i>
3	10AH025	1/4" I.D. Push-on Air Hose <i>(Six Feet Required)</i>
4	10WS	Watts Strainer
5	1017019	1/4" Hex Nipple
6	10PAF0125	1/8" NPT x 1/4" Barb Push-on Air Hose Fitting
7	10BH0342BR	3/4" I.D. Abrasive Blasting Hose <i>(Per Foot)</i>
8	10NHA1	1-1/4" Aluminum Nozzle Holder <i>(Two Required)</i>
9	1012350	Blowdown Hose Assembly <i>(Includes Item #'s: 7 (Quantity of Two Feet) and 8)</i>
10	1012300	Tandem Remote Control Valve – Complete <i>(See Figure 26)</i>
11	1012151	1" Close Nipple
12	1011100	Blastmaster® Exhaust Muffler <i>(See Figure 15)</i>
13	1012157	1-1/4" x 1" Bushing
14	10SME025	1/4" Straight Swivel Fitting
15	1015545	50 Feet of Control Line with Male and Female 3-prong Twist-Lock Plugs <i>(Includes Item #'s: 16, 20 (Quantity of 50 Feet), and 21)</i>
16	1015555	3-prong Twist-Lock Plug – Male
17	1015100	Blastmaster® 151E Remote Control Switch - Complete
18	1030718	Battery Clamp (Pair)
19	1015540	16/2 Power Cord <i>(Per Foot)</i>
20	1015556	3-prong Twist Lock Plug – Female
21	1019051	12-Volt DC 190 Electric Control System <i>(See Figure 28)</i>
22	1015546	25 Feet of Power Cord with Male and Female 3-prong Twist-Lock Plugs <i>(Includes Item #'s: 16, 20 (Quantity of 25 Feet), and 21)</i>
23	1015544	Battery Clamp Kit <i>(Includes Item #'s: 18, 19 (Quantity of Two Feet), and 20)</i>
—	106M063	Part Numbers & Schematics Guide – Blastmaster® 151E Remote Control Switch
—	106M089	Part Numbers & Schematics Guide – Blastmaster® 123E Remote Control System
—	1090063	Operator's Manual – Blastmaster® 151E Remote Control Switch
—	1090089	Operator's Manual – Blastmaster® 123E Remote Control System



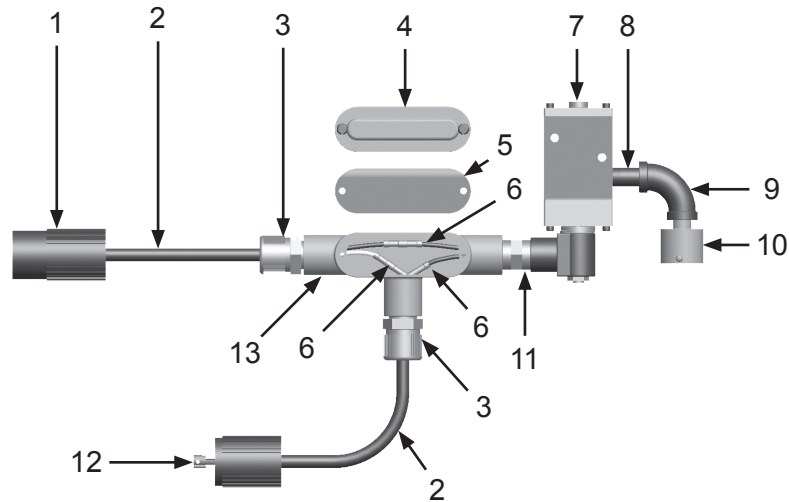
# PART NUMBERS AND SCHEMATICS

Figure 27: 12-Volt DC Blastmaster® 123E Remote Control System



## PART NUMBERS AND SCHEMATICS

Figure 28: 12-Volt DC 190 Electric Control Assembly



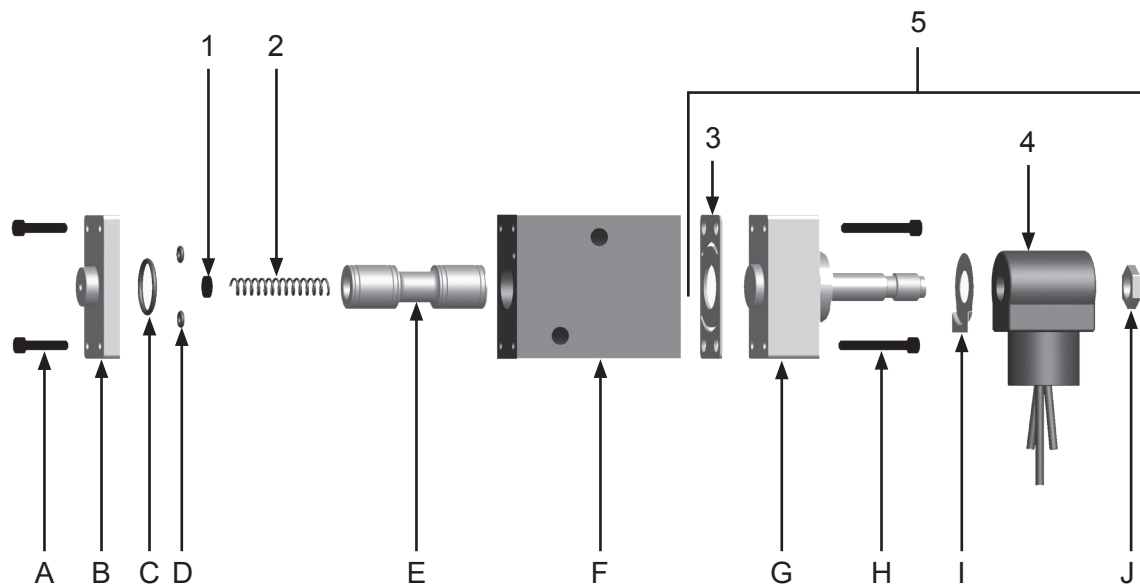
Item #	Part #	Description
--------	--------	-------------

Fig. 28

—	<b>1019051</b>	<b>12-Volt DC 190 Electric Control Assembly – Complete</b>
1	1015556	3-Prong Twist-Lock Plug – Female
2	1015540	16/2 Power Cord – Per Foot
3	1019021	Cord Grip ( <i>Two Required</i> )
4	1019022	Conduit Box Cover
5	1019023	Conduit Box Cover Gasket
6	1030028	Butt Splicer ( <i>Four Required</i> )
7	1019010	12-Volt DC Electric Solenoid – Complete
8	1011217	1/4" x 2" Pipe Nipple
9	1011832	1/4" NPT 90° Pipe Nipple
10	10DE025	Dust Eliminator
11	20100677	1/2" x 1/2" NPT Hex Nipple
12	1015555	3-Prong Twist-Lock Plug – Male
13	1019020	1/2" Tee Conduit Box

## PART NUMBERS AND SCHEMATICS

Figure 29: 12-Volt DC 190 Electric Solenoid

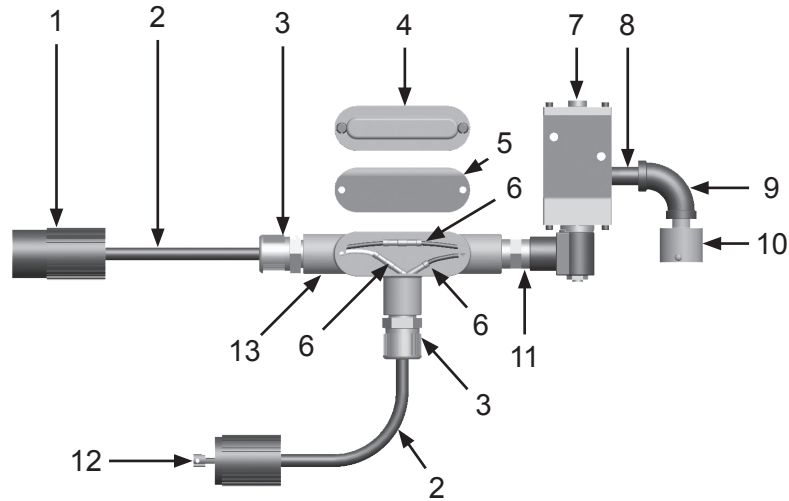


Item #	Part #	Description
<b>Fig. 29</b>		
—	<b>1019010</b>	<b>12-Volt DC 190 Electric Solenoid — Normally-closed — Complete</b>
1	1019029	Felt Filter
2	1019032	Spring
3	1019033	Gasket
4	1019039	12-Volt DC Coil
5	1019034	12-Volt DC Operator Assembly (Includes Items: #3, #4, G, H, I, and J)
—	1019030	Electric Solenoid Repair Kit (Includes Items: #1, #2, #3, C, D, and E)

\* Items A–J are not available individually

## PART NUMBERS AND SCHEMATICS

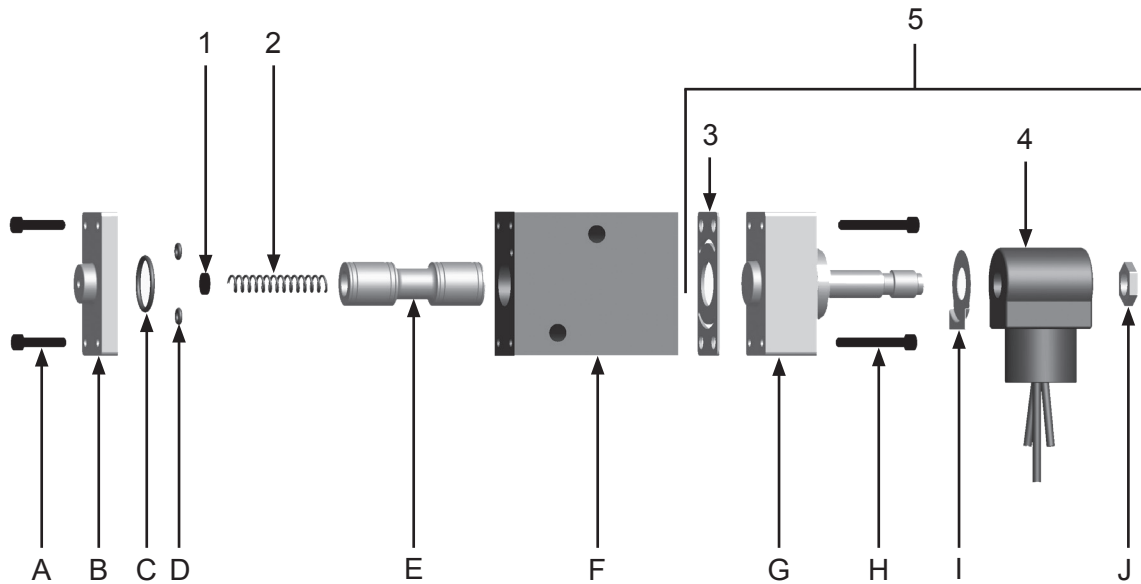
Figure 30: 12-Volt AC 190 Electric Control Assembly



Item #	Part #	Description
<b>Fig. 30</b>		
—	<b>1019052</b>	<b>12-Volt AC 190 Electric Control Assembly – Complete</b>
1	1015556	3-Prong Twist-Lock Plug – Female
2	1015540	16/2 Power Cord – Per Foot
3	1019021	Cord Grip ( <i>Two Required</i> )
4	1019022	Conduit Box Cover
5	1019023	Conduit Box Cover Gasket
6	1030028	Butt Splicer ( <i>Four Required</i> )
7	1019011	12-Volt AC Electric Solenoid – Complete
8	1011217	1/4" x 2" Pipe Nipple
9	1011832	1/4" NPT 90° Pipe Nipple
10	10DE025	Dust Eliminator
11	20100677	1/2" x 1/2" NPT Hex Nipple
12	1015555	3-Prong Twist-Lock Plug – Male
13	1019020	1/2" Tee Conduit Box

## PART NUMBERS AND SCHEMATICS

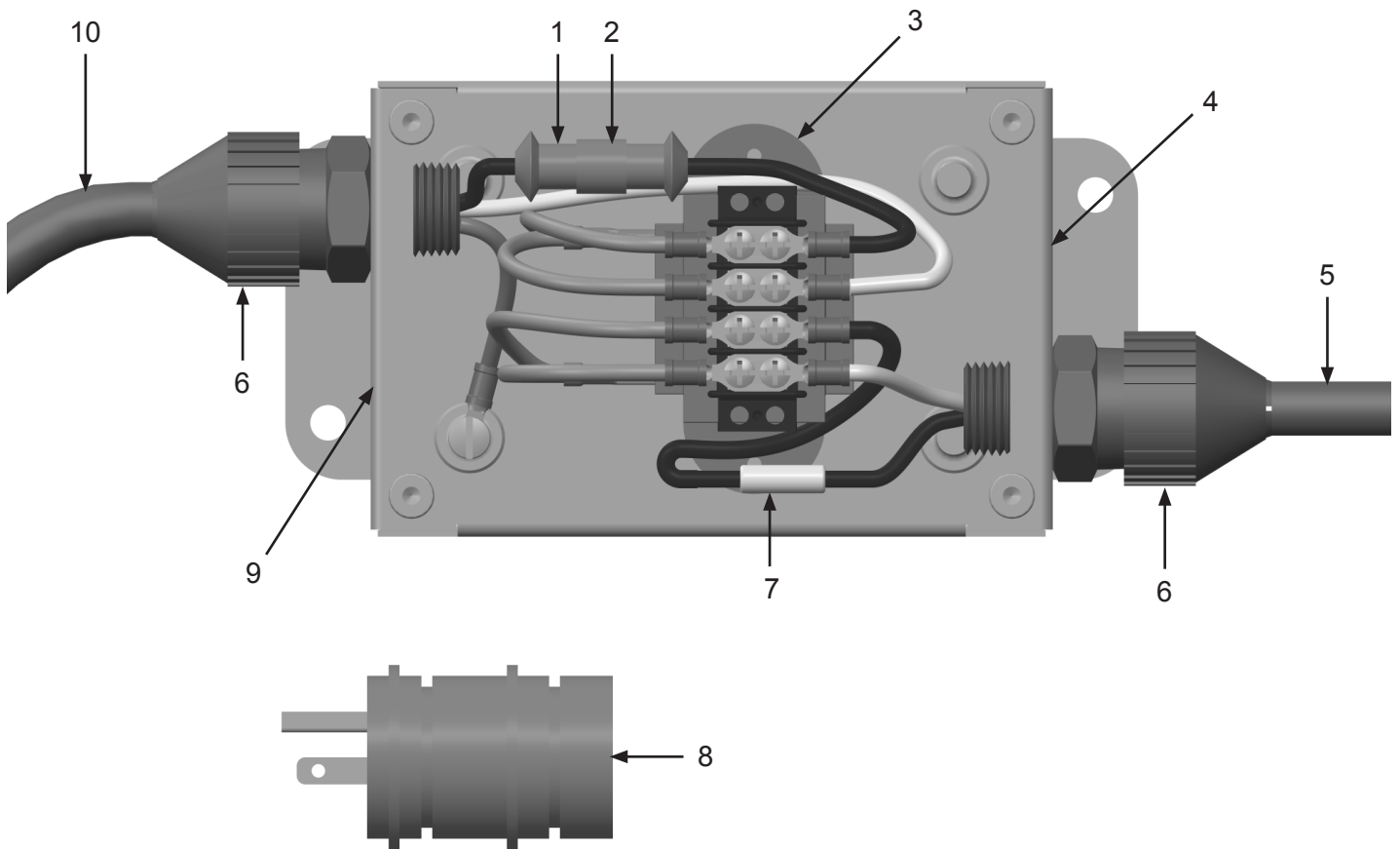
Figure 31 12-Volt AC 190 Electric Solenoid



Item #	Part #	Description
<b>Fig. 31</b>		
—	<b>1019011</b>	<b>12-Volt AC 190 Electric Solenoid – Complete</b>
1	1019029	Felt Filter
2	1019032	Spring
3	1019033	Gasket
4	1019040	12-Volt AC Coil
5	1019035	12-Volt AC Electric Operator Assembly (Includes Items: #3, #4, G, H, I, and J)
—	1019030	12-Volt AC Electric Solenoid Repair Kit (Includes Items: #1, #2, #3, C, D, and E)
* Items A–J are not available individually		

## PART NUMBERS AND SCHEMATICS

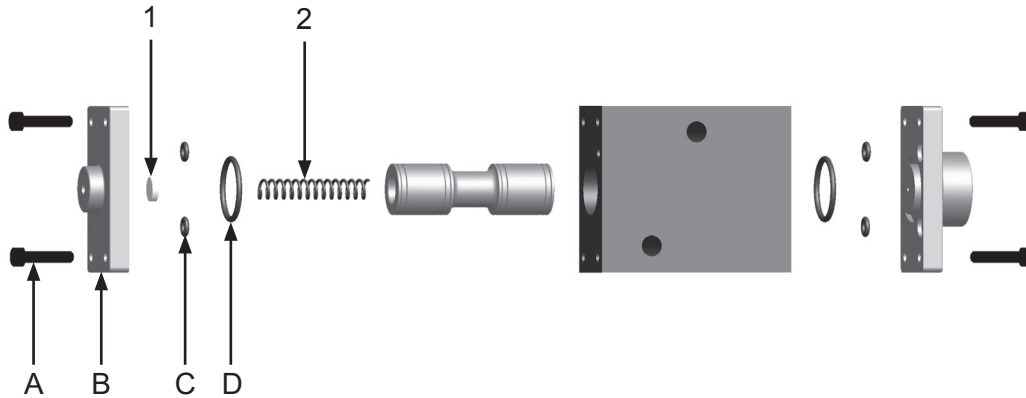
Figure 32: Blastmaster® 120-Volt AC to 12-Volt AC Power Converter



Item #	Part #	Description
Fig. 32		
—	1030020	<b>Blastmaster® 120-Volt AC to 12-Volt AC Power Converter with 3 feet of 14/2 Electric Cord and Plug – Complete</b>
1	1030123	3 Amp Fuse
2	1030023	In-Line Fuse Holder
3	1030022	Transformer – Blastmaster 120-Volt AC to 12-Volt AC Power Converter
4	1091067	Power-Out Decal ( <i>Not Shown</i> )
5	1030013	14/2 SEOW Electric Cord ( <i>Per Foot</i> )
6	1030025	Strain Relief ( <i>Two Required</i> )
7	1030021	Resistor
8	1030026	3-prong, 120-Volt AC Plug – Male
9	1092014	Power-In Decal ( <i>Not Shown</i> )
10	1015550	14/3 SEOW Electric Cord ( <i>Per Foot</i> )
—	1091063	Hazard Identification Decal

## PART NUMBERS AND SCHEMATICS

Figure 33: 190 Pneumatic Solenoid



Item #	Part #	Description
--------	--------	-------------

Fig. 33

—	<b>1019000</b>	<b>190 Pneumatic Solenoid Normally—Closed — Complete</b>
---	----------------	--

1	1019029	Felt Filter
---	---------	-------------

2	1019032	Spring
---	---------	--------

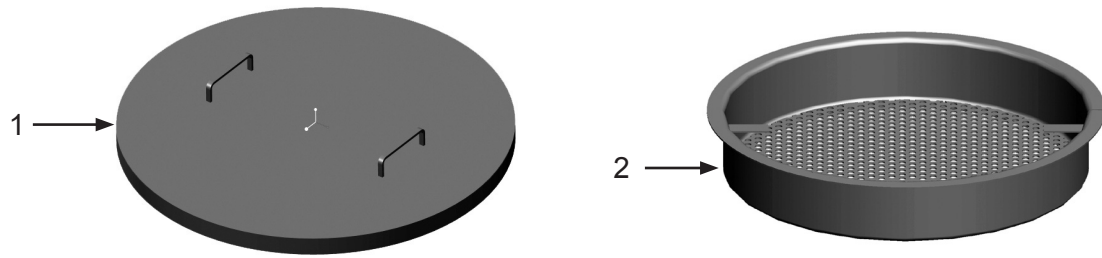
3	1019027	Pneumatic Solenoid Operator Assembly (Includes Items: G, H, I, and J)
---	---------	--

4	1019028	Pneumatic Solenoid Repair Kit (Includes Items: #1, #2, C, D, E, G, and H)
---	---------	--

\* Items A–J are not available individually

## OPTIONAL ACCESSORIES

Figure 34: Lids and Screens (Optional)



Item #	Part #	Description
--------	--------	-------------

Fig. 34

1	10107501	36" Blast Pot Lid
2	10108290	36" Screen



# LITERATURE REFERENCES

**Part #**      **Description**

---

**Blast Pot**

106M146    Part Numbers and Schematics Guide – Blastmaster® 20 Cu. Ft. Abrasive Blasting Pots

1090146    Operator's Manual – Blastmaster® 20 Cu. Ft. Abrasive Blasting Pot

**Remote Control Switch**

106M068    Part Numbers and Schematics Guide – Blastmaster® 152P Remote Control Switch

1090068    Operator's Manual – Blastmaster® 152P Remote Control Switch

106M087    Part Numbers and Schematics Guide – Blastmaster® 151E Remote Control Switch

1090087    Operator's Manual – Blastmaster® 151E Remote Control Switch





## 40+ NATIONWIDE SHIPPING LOCATIONS

### CONTACT CENTER

- 3425 East Locust Street  
Davenport, IA 52803

ph: 800.BLAST.IT (800.252.7848)  
ph: 563.324.2519  
fax: 563.324.6258

### REGIONAL BRANCH OFFICES

- **Iowa**  
Davenport
- **Louisiana**  
Gonzales  
Lafayette
- **Ohio**  
Youngstown
- **Texas**  
Beaumont  
Corpus Christi  
Deer Park



★ Marco Regional Branch Offices and Shipping Locations      ● Direct Shipping Locations



- ABRASIVES
- BLASTING
- COATING
- DUST COLLECTORS
- ENGINEERED SYSTEMS
- RENTAL
- SAFETY
- SERVICE, REPAIR, & MODERNIZATION
- VACUUMS

### CONTACT MARCO

800.BLAST.IT  
(800.252.7848)  
563.324.2519  
FAX: 563.324.6258

WWW.MARCO.US  
SALES@MARCO.US