



# BLASTMASTER® 2-HOLE SENIOR ABRASIVE MIXING VALVE PARTS



**BUILT** MARCO  
TOUGH  
MARCO MANUFACTURED

## PART NUMBERS AND SCHEMATICS GUIDE

## Company Profile

Since 1944, Marco has developed a strong tradition of providing innovative and reliable products and services to the surface preparation and protective coatings industries. We are the world's premier provider of Abrasives, Blasting Equipment, Coating and Painting Equipment, Engineered Systems, Rental Equipment, Safety Equipment, Service, and Repair.

Through innovative designs and a total commitment to quality, Marco manufactures products that increase production rates, create a safer workplace, and reduce maintenance costs. Marco's industry experience, manufacturing capabilities, legendary customer service, product availability, logistics services, and technology leadership is your assurance that we deliver high quality products and services, providing the best value to you, our customer.

## The Marco Difference

- **Industry Experience** – With Marco on your team, you have access to expertise which can only come from decades of industry leadership. We have organized our engineering department, production specialists, customer operations, and safety support into a “Center of Competence.” As a Marco customer, you have access to hundreds of years of cumulative experience related to your operations.
- **Manufacturing Excellence** – Marco is a U.S. based, ISO 9001:2008 certified manufacturer of equipment for the Surface Preparation and Protective Coatings industries. Marco's engineers benchmark the industry to ensure that we design and manufacture superior products that set the “Gold Standard” for performance, safety, and quality.
- **Legendary Customer Service** – Marco's legendary customer service team is staffed by friendly, highly-trained individuals who are focused on providing the highest level of product support, order accuracy, and customer satisfaction.
- **Product Availability** – We stock over 10,000 SKU's and have over 45 shipping locations to serve North American and International markets for all major brands of blasting and painting equipment. As the largest provider of surface preparation and protective coatings equipment in the world, our inventory levels and product availability are unmatched.
- **Logistics Services** – Marco's in-house logistics team is dedicated to moving your shipment anywhere in the world. We move over 14,000 truckloads every year, allowing you to save on freight costs by leveraging our buying power. Lower your process costs with a single invoice, which includes product and freight.
- **Technology Leadership** – Our website provides: Operator's Manuals, Part Numbers and Schematics Guides, MSDS information, and Features, Advantages, and Benefits Guides, providing access to information 24/7. Our Extranet application allows you to receive quotes and place orders online. Our Intranet maintains a complete record of your purchase history to assist with ongoing support of your existing equipment and future purchasing decisions.

## Vision Statement

Marco is the world's premier provider of Abrasives, Blasting Equipment, Coating and Painting Equipment, Engineered Systems, Rental Equipment, Safety Equipment, Service, and Repair.

## Mission Statement

Marco provides strong leadership and innovation to the surface preparation and protective coatings industries. We dedicate our efforts to the continuous improvement of our products, services, processes, people, and most importantly, the quality of our customer's experience.

2

## Quality Statement

Marco is committed to providing superior quality in the design, manufacturing, distribution, rental, service, and repair of our products. Our ISO 9001:2008 certification extends throughout all operations in all locations. Continuous improvement of our processes and supply chain Integration comprise the core of our business strategy for delivering exceptional quality and value in all Marco products and services.

## Management Philosophy

We are a company dedicated to the success of every customer and associate. We discuss, debate, challenge, measure, and test our ideas. We will be boundless and limitless in our passion to improve. Through sound leadership and dedicated associates, we will ensure a long term, profitable future for Marco, our associates, customers, and suppliers.

# TABLE OF CONTENTS

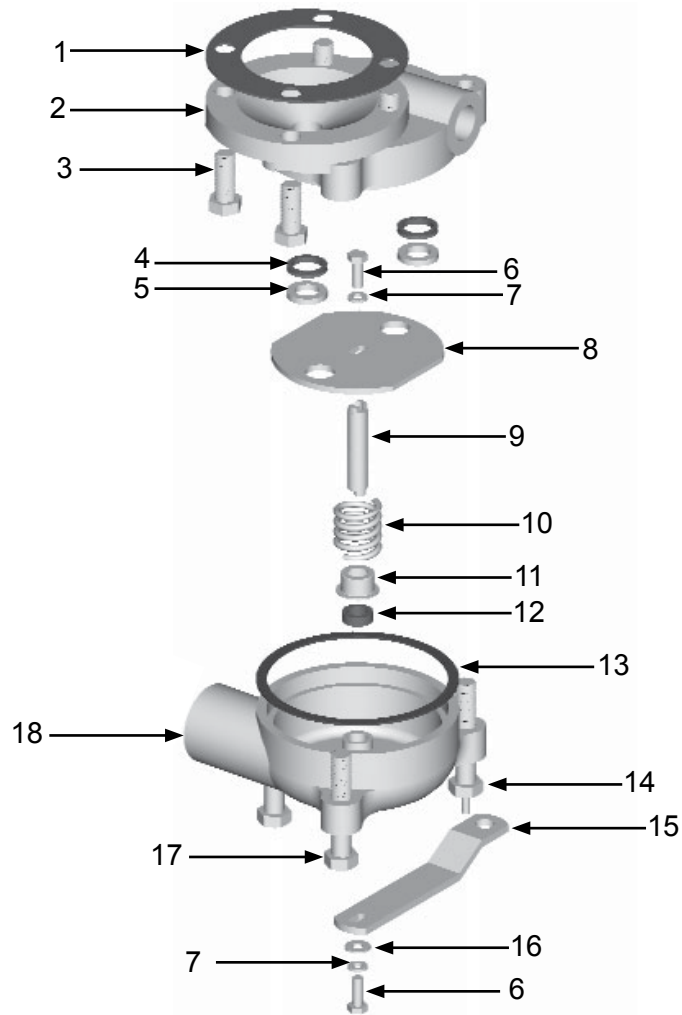
<b>Company Profile</b> .....	<b>2</b>
<b>Table of Contents</b> .....	<b>3</b>
<b>Blastmaster® 2-Hole Senior Abrasive Mixing Valve</b> .....	<b>4-5</b>
<b>Optional Accessories</b> .....	<b>6</b>
<b>Maintenance Notes</b> .....	<b>7</b>

## PART NUMBERS AND SCHEMATICS GUIDE

Item #	Part #	Description
<b>Fig. 1</b>		
1	10L701BG	Valve Body Gasket
2	10L701B	Valve Body <i>(Includes Item #3 (Quantity of Four))</i>
3	10L805326	Valve Body Bolt <i>(Four Required)</i>
4	10L800001	Valve Cushion Quad-Ring <i>(Two Required)</i>
5	10L100015	5/8" Valve Washer <i>(Two Required)</i>
6	10L805302	1/4-28 x 3/4" Spindle Bolt <i>(Two Required)</i>
7	1012153	1/4" Lock Washer <i>(Two Required)</i>
8	10L736	Valve Plate
9	10L100084	Valve Spindle
10	10L344	Valve Spring
11	10LC31	Spindle Packing Gland
12	10LC32	Spindle Packing
13	10L716CG	Valve Cover Gasket
14	10L703CS	Cover Bolt with Pin
15	10LC4X	Valve Spindle Arm
16	1014017	1/4" Flat Washer
17	10L805328	Cover Bolt without Pin <i>(Two Required)</i>
18	—	Cover <i>(No Longer Available)</i>
—	106M036	Part Numbers and Schematics Guide – Blastmaster® 2-Hole Senior Abrasive Mixing Valve

# PART NUMBERS AND SCHEMATICS GUIDE

Figure 1: Blastmaster® 2-Hole Senior Abrasive Mixing Valve

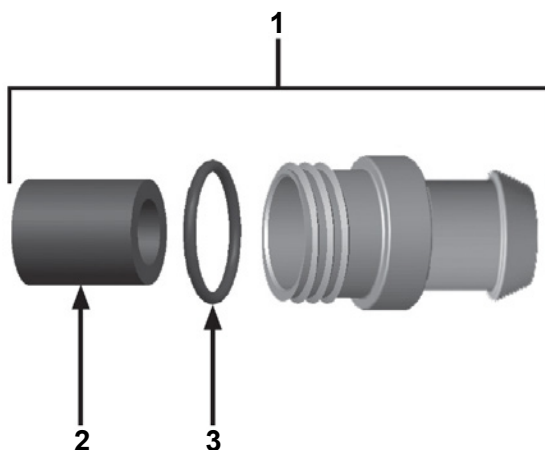


## OPTIONAL ACCESSORIES

1" I.D. x 1-7/8" O.D. ABRASIVE BLASTING HOSE						
Part Numbers	Fabric Reinforcement	Working Pressure	Liner Thickness		Hose Cover Color	Length (Ft.)
	4-Ply		1/4" Heavy-Duty	Black		
10BH100B	X	150 PSI	X		X	50

1" I.D. x 1-7/8" O.D. ABRASIVE BLASTING HOSE WITH COUPLINGS INSTALLED							
Part Numbers	Fabric Reinforcement	Working Pressure	Liner Thickness		Hose Cover Color	Length (Ft.)	Aluminum Couplings
	4-Ply		5/16" Xtreme-Duty®	1/4" Heavy-Duty	Black		
10BH100XAC	X	150 PSI	X		X	50	X
10BH100BAC	X	150 PSI		X	X	50	X

**Figure 2: Coupling Assemblies**



Item #	Part #	Description
--------	--------	-------------

**Fig. 2**

1	10L466HE	Coupling for 1" I.D. Abrasive Blasting Hose (Includes Item #'s: 2 and 3)
2	10L800237	Rubber Liner for 1" I.D. Abrasive Blasting Hose
3	10L66RR	O-Ring



## GLOBAL HEADQUARTERS

- 3425 East Locust Street  
Davenport, IA 52803

ph: 800.BLAST.IT (800.252.7848)

ph: 563.324.2519

fax: 563.324.6258

## GULF STATES HEADQUARTERS

- 701 East Boulevard  
Deer Park, TX 77536

ph: 800.BLAST.IT (800.252.7848)

ph: 281.930.0905

fax: 281.542.0736

## REGIONAL BRANCH OFFICES

- **Iowa**  
Davenport
- **Louisiana**  
Gonzales  
Lafayette
- **Ohio**  
Youngstown
- **Texas**  
Beaumont  
Corpus Christi  
Deer Park



ABRASIVES

BLASTING

COATING

DUST COLLECTORS

ENGINEERED SYSTEMS

RENTAL

SAFETY

SERVICE & REPAIR

VACUUMS

## 40+ NATIONWIDE SHIPPING LOCATIONS



★ Marco Regional Branch Offices  
and Shipping Locations

● Direct Shipping Locations

## CONTACT MARCO

800.BLAST.IT

(800.252.7848)

563.324.2519

FAX: 563.324.6258

WWW.MARCO.US

SALES@MARCO.US