



BLASTMASTER® 2.0 CU. FT.
L-SERIES ABRASIVE BLASTING POT



BUILT MARCO
TOUGH
MARCO MANUFACTURED

PART NUMBERS AND SCHEMATICS GUIDE

Company Profile

Since 1944, Marco has developed a strong tradition of providing innovative and reliable products and services to the surface preparation and protective coatings industries. We are the world's premier provider of Abrasives, Blasting, Coating, Dust Collectors, Engineered Systems, Rental, Safety, Service, Repair, & Modernization, and Vacuums.

Through innovative designs and a total commitment to quality, Marco manufactures products that increase production rates, create a safer workplace, and reduce maintenance costs. Marco's industry experience, manufacturing capabilities, legendary customer service, product availability, logistics services, and technology leadership is your assurance that we deliver high quality products and services, providing the best value to you, our customer.

The Marco Difference

- **Industry Experience** – With Marco on your team, you have access to expertise which can only come from decades of industry leadership. We have organized our engineering department, production specialists, customer operations, and safety support into a “Center of Competence.” As a Marco customer, you have access to hundreds of years of cumulative experience related to your operations.
- **Manufacturing Excellence** – Marco is a manufacturer of equipment for the Surface Preparation and Protective Coatings industries. Marco's engineers benchmark the industry to ensure that we design and manufacture superior products that set the “Gold Standard” for performance, safety, and quality.
- **Legendary Customer Service** – Marco's legendary customer service team is staffed by friendly, highly-trained individuals who are focused on providing the highest level of product support, order accuracy, and customer satisfaction.
- **Product Availability** – We stock over 10,000 SKU's and have more than 45 shipping locations to serve North American and International markets for all major brands of blasting and coating equipment. As the largest provider of surface preparation and protective coatings equipment in the world, our inventory levels and product availability are unmatched.
- **Logistics Services** – Marco's in-house logistics team is dedicated to moving your shipment anywhere in the world. We move more than 14,000 truckloads every year, allowing you to save on freight costs by leveraging our buying power. Lower your process costs with a single invoice, which includes product and freight.
- **Technology Leadership** – Our website provides: Operator's Manuals, Part Numbers and Schematics Guides, SDS information, and Features & Specifications Guides, providing access to information 24/7. Our Extranet application allows you to receive quotes and place orders online. Our Intranet maintains a complete record of your purchase history to assist with ongoing support of your existing equipment and future purchasing decisions.

Vision Statement

Marco is the world's premier provider of Abrasives, Blasting, Coating, Dust Collectors, Engineered Systems, Rental, Safety, Service, Repair, & Modernization, and Vacuums.

Mission Statement

Marco provides strong leadership and innovation to the surface preparation and protective coatings industries. We dedicate our efforts to the continuous improvement of our products, services, processes, people, and most importantly, the quality of our customer's experience.

Quality Statement

Marco is committed to providing superior quality in the design, manufacturing, distribution, rental, service, and repair of our products. Continuous improvement of our processes and supply chain Integration comprise the core of our business strategy for delivering exceptional quality and value in all Marco products and services.

Management Philosophy

We are a company dedicated to the success of every customer and associate. We discuss, debate, challenge, measure, and test our ideas. We will be boundless and limitless in our passion to improve. Through sound leadership and dedicated associates, we will ensure a long term, profitable future for Marco, our associates, customers, and suppliers.

TABLE OF CONTENTS

Company Profile	2
Part Numbers	4
Part Numbers and Schematics	6
Blastmaster® 2.0 Cu. Ft. L-Series Abrasive Blasting Pot – Pneumatic	6
Blastmaster® Bantam Abrasive Metering Valve	8
Optional Accessories	10
Blastmaster® 1-1/4" x 1-1/4" Junior Extractor Moisture Separator	10
Lid and Screen	10
Type I Ceramic Nozzles	11
Blast Hose and Accessories	12

PART NUMBERS

BLASTMASTER® 2.0 CU. FT. L-SERIES ABRASIVE BLASTING POT					
Part Numbers	Blastmaster® Bantam Abrasive Metering Valve	Remote Control Valve	Ceramic Nozzles <i>(Two Each)</i>	1/2" I.D. Abrasive Blasting Hose	Moisture Separator
1002005	1014103	10L66EVD	10CN351, 10CN451	25 Ft.	—
1002005PKB	1014103	10L66EVD	10CN351, 10CN451	25 Ft.	1011750



PART NUMBERS

Blastmaster® 2.0 Cu. Ft. L-Series Abrasive Blasting Pot – 1002005



Blastmaster® 2.0 Cu. Ft. L-Series Abrasive Blasting Pot – 1002005PKB



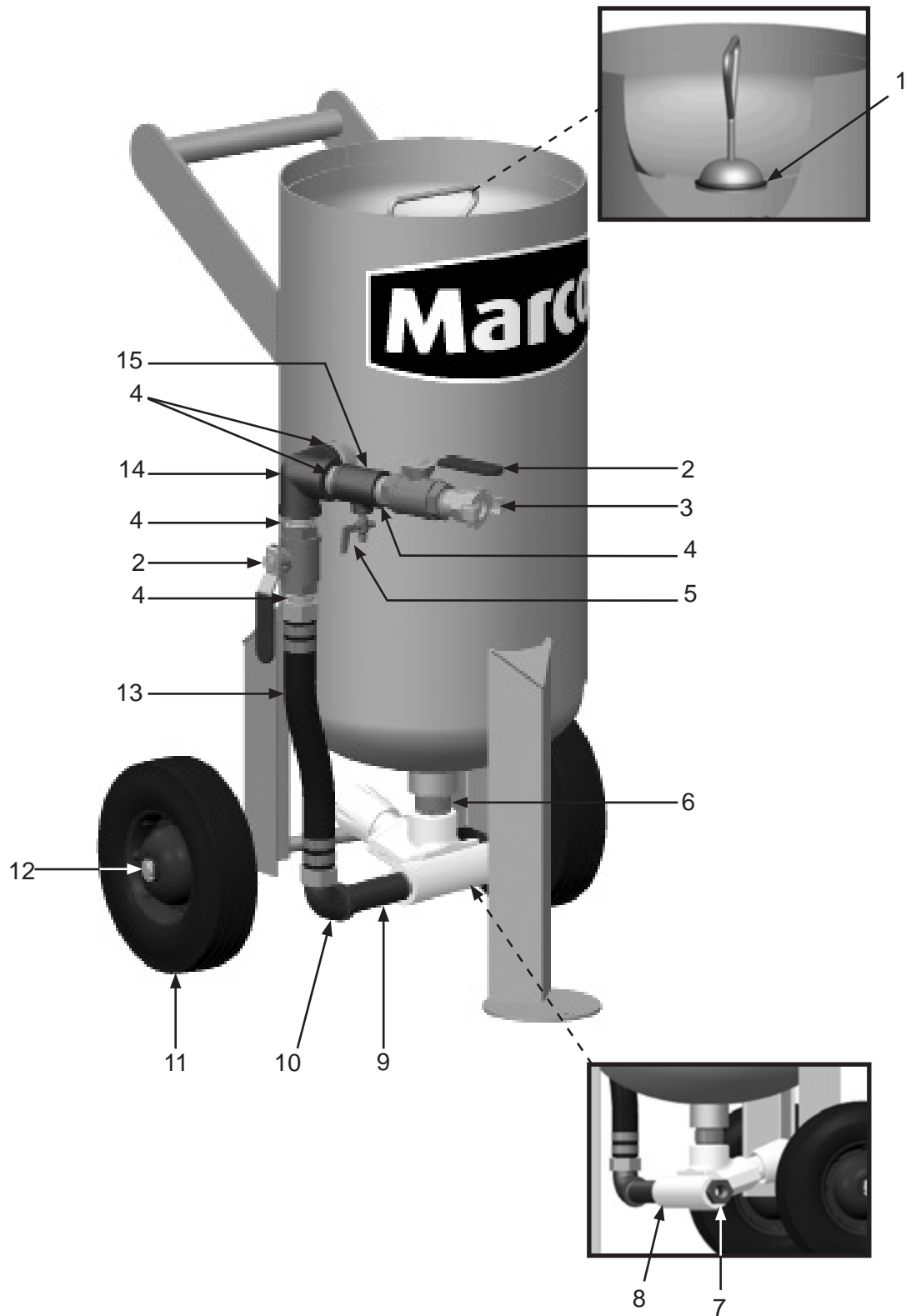
PART NUMBERS AND SCHEMATICS

Blastmaster® 2.0 Cu. Ft. L-Series Abrasive Blasting Pot – Pneumatic

Item #	Part #	Description
Fig. 1		
—	1002005	2.0 L Series Blast Pot With KF153
—	1002005PKB	2.0 L Series Blast Pot With KF153 And Moisture Seperator
1	10L650R	Filler Plug O-Ring
2	1011601	1" Full Port Brass Ball Valve <i>(Two Required)</i>
3	10ME2	1" NPT (M) 2-Lug Coupling
4	1012151	1" NPT Close Nipple <i>(Five Required)</i>
5	1012101	1/4" NPT Petcock
6	1011813	1-1/4" NPT x 2" Pipe Nipple
7	1011812	1" NPT (M) x 1/2" (F) Bushing
8	1014103	Blastmaster® Bantam Abrasive Metering Valve
9	1011815	1" NPT x 5" Long Pipe Nipple
10	1011801	1" 90° Street Elbow
11	1006067	10 x 2.75 Solid Wheel <i>(Two Required)</i>
12	10101811	E-Clip <i>(Four Required)</i>
13	1006310	1" NPT Air Hose Pusher Line Assembly
14	1011808	1" NPT Pipe Elbow with Side-Out
15	1011814	1" x 1" x 1/4" NPT Pipe Tee
—	10L66EVD	Blastmaster® 153 Remote Control Valve (See Literature 1090034)
—	10L66B	1/2" NPT Nozzle Holder Base
—	106M034	Part Numbers and Schematics Guide – Blastmaster® 153 Remote Control Valve
—	106M050	Part Numbers and Schematics Guide – Blastmaster® 2.0 Cu. Ft. L-Series Abrasive Blasting Pot
—	1090034	Operator's Manual – Blastmaster® 153 Remote Control Valve
—	1090050	Operator's Manual – Blastmaster® 2.0 cu. ft. L-Series Abrasive Blasting Pot

PART NUMBERS AND SCHEMATICS

Figure 1: Blastmaster® 2.0 Cu. Ft. L-Series Abrasive Blasting Pot – Pneumatic



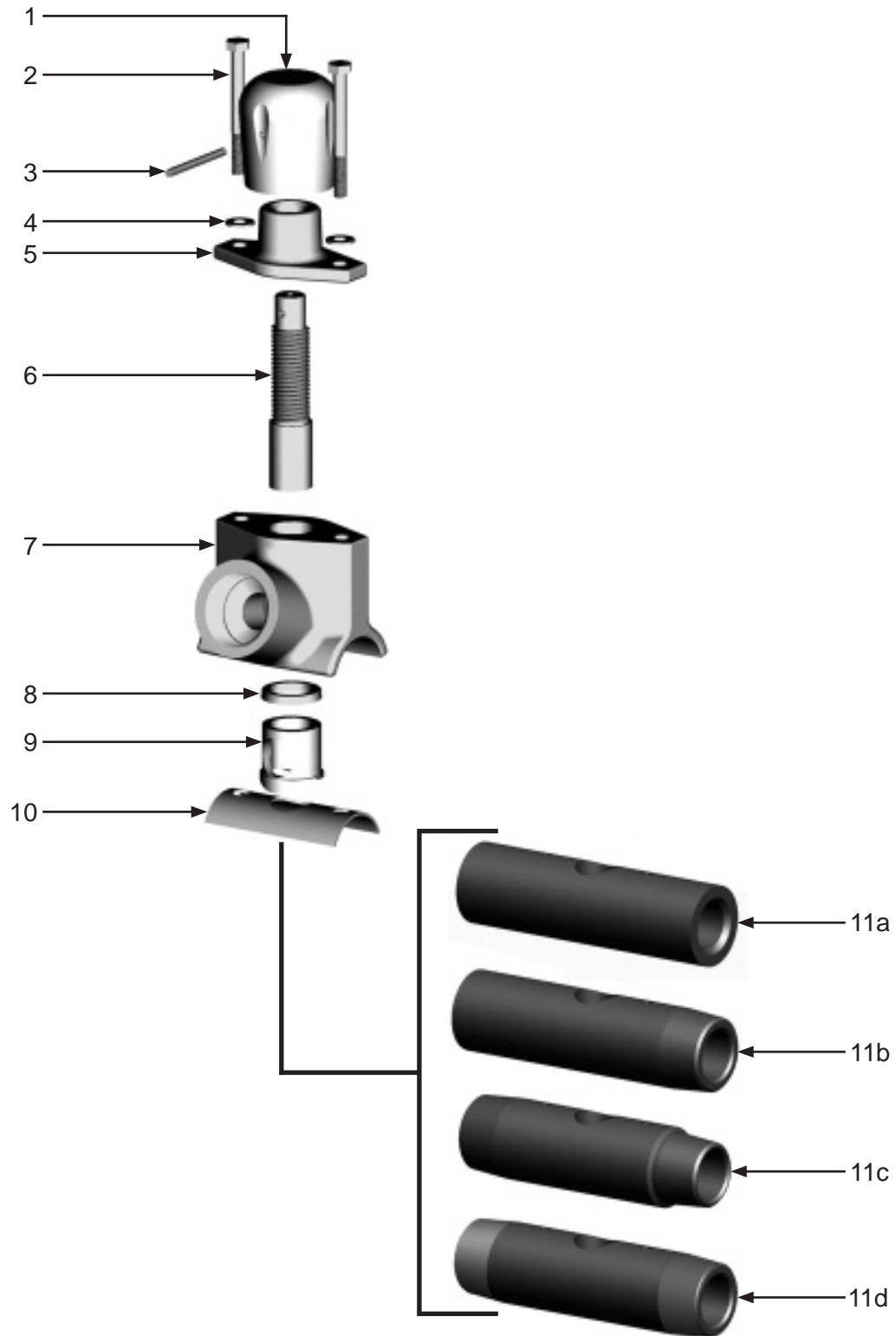
PART NUMBERS AND SCHEMATICS

Blastmaster® Bantam Abrasive Metering Valve

Item #	Part #	
Fig. 2		
—	1014103	1" Female x 1" Female Blastmaster® Bantam Abrasive Metering Valve – Complete <i>(For use with 1/2" I.D. Abrasive Blasting Hose)</i>
—	1014100	1" Blastmaster® Bantam Abrasive Metering Valve – Complete
—	1014101	1-1/4" Blastmaster® Bantam Abrasive Metering Valve – Complete
—	1014102	1-1/2" Blastmaster® Bantam Abrasive Metering Valve – Complete
1	1014110	Metering Knob
2	1014112	5/16-18 x 3-1/4" Hex Bolt <i>(Two Required)</i>
3	1014111	Knob Pin
4	10L805003	5/16" Washer <i>(Two Required)</i>
5	1014113	Cap
6	1014114	Plunger
7	1014115	Valve Body
8	1014219	Plunger Seal
9	1014117	Urethane Sleeve
10	1014118	Gasket
11a	10000135	1" Female x 1" Female Nipple
11b	1014119	1" Female x 1-1/2" Male Nipple
11c	1014120	1-1/4" Male x 1-1/2" Male Nipple
11d	1014121	1-1/2" Male x 1-1/2" Male Nipple
—	1014123	Repair Kit <i>(Includes Item #'s: 2,6,8,9, and 10)</i>
—	1014116	Soft Seal Kit <i>(Includes Item #'s: 8, 9, and 10)</i>
—	1011812	1" Male x 1/2" Female NPT Bushing <i>(For use with 1014103)</i>
—	10SB2S	1-1/2" NPS Brass Tank Coupling <i>(For use with 1014100, 1014101, 1014102)</i>
—	106M022	Part Numbers and Schematics Guide – Blastmaster® Bantam Abrasive Metering Valve
—	1090022	Operator's Manual – Blastmaster® Bantam Abrasive Metering Valve
—	1091045	Warning Tag

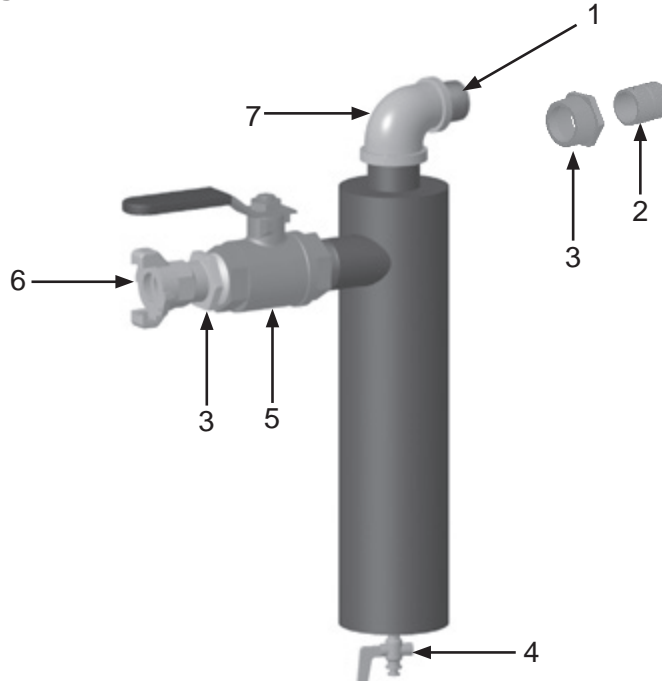
PART NUMBERS AND SCHEMATICS

Figure 2: Blastmaster® Bantam Abrasive Metering Valve



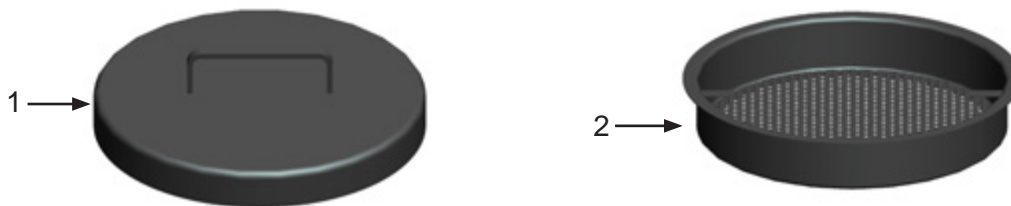
OPTIONAL ACCESSORIES

Figure 3: Blastmaster® 1-1/4" x 1-1/4" Junior Extractor Moisture Separator with 1" 2-Lug Air Hose Fltting



Item #	Part #	Description
Fig. 3		
—	1011750	Blastmaster® 1-1/4" Junior Extractor Moisture Separator with 1" 2-Lug Air Hose Fitting
1	1011201	1-1/4" NPT Close Nipple
2	1012151	1" NPT Close Nipple
3	1012157	1-1/4" x 1" Bushing (<i>only 1 required for units built before 2021</i>)
4	1012101	1/4" NPT Brass Petcock
5	1011601	1" NPT Full Port Ball Valve (<i>for units built before 2021</i>)
	1011602	1-1/4" NPT Full Port Ball Valve
6	10ME2	2-Lug Air Hose Fitting – 1" NPT Male Threads
7	1006204	1-1/4" NPT 90° Elbow
—	106M349	Part Numbers and Schematics Guide – Moisture Separators

Figure 4: Lid and Screen



Item #	Part #	Description
Fig. 4		
1	1002101	14" Lid
2	1002102	14" Screen

OPTIONAL ACCESSORIES

Figure 5: Type I Ceramic Nozzles



TYPE I CERAMIC NOZZLES					
Part Numbers	Size	Orifice Size	Nozzle Entry	Overall Length	Abrasive Mesh Size
10CN051	1	3/32"	5/8"	3-3/4"	100 Mesh or Finer
10CN251	2	1/8"	5/8"	3-3/4"	60 Mesh or Finer
10CN21251	2-1/2	5/32"	5/8"	3-3/4"	50 Mesh or Finer
10CN351	3	3/16"	5/8"	3-3/4"	50 Mesh or Finer
10CN451	4	1/4"	5/8"	3-3/4"	40 Mesh or Finer
10CN551	5	5/16"	5/8"	3-3/4"	20 Mesh or Finer
10CN651	6	3/8"	5/8"	3-3/4"	12 Mesh or Finer

OPTIONAL ACCESSORIES

Figure 6: Blast Hose and Accessories

1/2" I.D. ABRASIVE BLASTING HOSE						
Part Numbers	O.D.	Fabric Reinforcement	Working Pressure	Liner Thickness	Hose Cover Color	Length (Ft.)
		2-Ply		1/4" Heavy-Duty	Black	
10BH012B	1-1/16"	X	150 PSI	X	X	50
10BH012E	1-1/8"	X	150 PSI	X	X	50
10BH0122CR	1-3/16"	X	150 PSI	X	X	Per Foot
10BH012C	1-3/16"	X	150 PSI	X	X	50
10BH0124C	1-3/16"	X	150 PSI	X	X	400

1/2" I.D. ABRASIVE BLASTING HOSE WITH COUPLINGS INSTALLED													
Part Numbers	I.D.	1-3/16" O.D.	Fabric Reinforcement	Working Pressure	Liner Thickness	Hose Cover Color	Length (Ft.)	Coupling(s)					
			2-Ply		1/4"	Black		Aluminum	Brass	Iron	Nylon	Steel	
10L850119	1/2"	X	X	150 PSI	X	X	10 Ft.						X
10L850125	1/2"	X	X	150 PSI	X	X	50 Ft.						X
10L850120	1/2"	X	X	150 PSI	X	X	25 Ft.						X
1081226	1/2"	X	X	150 PSI	X	X	25 Ft.	X					

COUPLINGS FOR 1/2" I.D. ABRASIVE BLASTING HOSE							
Part Numbers	Hose O.D.	Material	Lugs	GASKET OPTIONS			
				Rubber	Urethane	Gasket I.D.	
10QAL050	1-1/16"	Aluminum	2	10SBG	10USBG	1-1/4"	
10EM505222	1/1/8"	Steel	2	10SBG	10USBG	1-1/4"	
10QAL12	1-3/16"	Aluminum	2	10SBG	10USBG	1-1/4"	

NOZZLE HOLDERS FOR 1/2" I.D. ABRASIVE BLASTING HOSE				
Part Numbers	Hose O.D.	Material	Thread Style	Nozzle Washer
10NHA050	1-1/16"	Aluminum	3/4"	10NW1
10EM505232	1-1/8"	Steel	1" Male	—
10NHA12	1-3/16"	Aluminum	3/4"	10NW1

CONTACT CENTER

- 3425 East Locust Street
Davenport, IA 52803

ph: 800.BLAST.IT (800.252.7848)

ph: 563.324.2519

fax: 563.324.6258

REGIONAL BRANCH OFFICES

- **Iowa**
Davenport
- **Louisiana**
Gonzales
Lafayette
- **Ohio**
Youngstown
- **Texas**
Beaumont
Corpus Christi
Deer Park



ABRASIVES

BLASTING

COATING

DUST COLLECTION

RENTAL & SERVICE

SAFETY

VACUUMS

40+ NATIONWIDE SHIPPING LOCATIONS



★ Marco Regional Branch Offices
and Shipping Locations

● Direct Shipping Locations

CONTACT MARCO

800.BLAST.IT

(800.252.7848)

563.324.2519

FAX: 563.324.6258

WWW.MARCO.US

SALES@MARCO.US