



# BLASTMASTER® 1600 CFM MOISTURE SEPARATORS



**BUILT MARCO TOUGH**  
MARCO MANUFACTURED

**PARTNUMBERSANDSCHEMATICSGUIDE**

## Company Profile

Since 1944, Marco has developed a strong tradition of providing innovative and reliable products and services to the surface preparation and protective coatings industries. We are the world's premier provider of Abrasives, Blasting, Coating, Dust Collectors, Engineered Systems, Rental, Safety, Service, Repair, & Modernization, and Vacuums.

Through innovative designs and a total commitment to quality, Marco manufactures products that increase production rates, create a safer workplace, and reduce maintenance costs. Marco's industry experience, manufacturing capabilities, legendary customer service, product availability, logistics services, and technology leadership is your assurance that we deliver high quality products and services, providing the best value to you, our customer.

## The Marco Difference

- **Industry Experience** – With Marco on your team, you have access to expertise which can only come from decades of industry leadership. We have organized our engineering department, production specialists, customer operations, and safety support into a “Center of Competence.” As a Marco customer, you have access to hundreds of years of cumulative experience related to your operations.
- **Manufacturing Excellence** – Marco is a manufacturer of equipment for the Surface Preparation and Protective Coatings industries. Marco's engineers benchmark the industry to ensure that we design and manufacture superior products that set the “Gold Standard” for performance, safety, and quality.
- **Legendary Customer Service** – Marco's legendary customer service team is staffed by friendly, highly-trained individuals who are focused on providing the highest level of product support, order accuracy, and customer satisfaction.
- **Product Availability** – We stock over 10,000 SKU's and have more than 45 shipping locations to serve North American and International markets for all major brands of blasting and coating equipment. As the largest provider of surface preparation and protective coatings equipment in the world, our inventory levels and product availability are unmatched.
- **Logistics Services** – Marco's in-house logistics team is dedicated to moving your shipment anywhere in the world. We move more than 14,000 truckloads every year, allowing you to save on freight costs by leveraging our buying power. Lower your process costs with a single invoice, which includes product and freight.
- **Technology Leadership** – Our website provides: Operator's Manuals, Part Numbers and Schematics Guides, SDS information, and Features & Specifications Guides, providing access to information 24/7. Our Extranet application allows you to receive quotes and place orders online. Our Intranet maintains a complete record of your purchase history to assist with ongoing support of your existing equipment and future purchasing decisions.

## Vision Statement

Marco is the world's premier provider of Abrasives, Blasting, Coating, Dust Collectors, Engineered Systems, Rental, Safety, Service, Repair, & Modernization, and Vacuums.

## Mission Statement

Marco provides strong leadership and innovation to the surface preparation and protective coatings industries. We dedicate our efforts to the continuous improvement of our products, services, processes, people, and most importantly, the quality of our customer's experience.

## Quality Statement

Marco is committed to providing superior quality in the design, manufacturing, distribution, rental, service, and repair of our products. Continuous improvement of our processes and supply chain Integration comprise the core of our business strategy for delivering exceptional quality and value in all Marco products and services.

## Management Philosophy

We are a company dedicated to the success of every customer and associate. We discuss, debate, challenge, measure, and test our ideas. We will be boundless and limitless in our passion to improve. Through sound leadership and dedicated associates, we will ensure a long term, profitable future for Marco, our associates, customers, and suppliers.

# TABLE OF CONTENTS

<b>Company Profile</b> .....	<b>1</b>
<b>Table of Contents</b> .....	<b>2</b>
<b>Part Numbers</b> .....	<b>3</b>
<b>Specifications</b> .....	<b>4</b>
<b>Part Numbers &amp; Schematics</b> .....	<b>5-8</b>
Blastmaster® 1600 CFM Moisture Separators 2-Outlet .....	5
Blastmaster® 1600 CFM Moisture Separators 6-Outlet .....	6
Blastmaster® 1600 CFM Moisture Separators without fittings 2-Outlet .....	7
Blastmaster® 1600 CFM Moisture Separators without fittings 6-Outlet .....	8
<b>Optional Accessories</b> .....	<b>9-10</b>
Galvanized Square Head Pipe Plugs .....	9
Airflow Shutoff Kits – Lug Fittings .....	10
Airflow Shutoff Kits – Hammerlock Fittings . . .	10

# PART NUMBERS

BLASTMASTER® 1600 CFM MOISTURE SEPARATORS							
Part Numbers	Inlet			Outlet			Handle and Wheels
	Inlet Quantity	Inlet Size	Fittings	Outlet Quantity	Outlet Size	Fittings	
1011770	1	3"	Included	2	(2) 2"	Included	Included
1011773	1	3"	Included	2	(2) 2"	Included	Not Included
1011774	1	3"	Not Included	2	(2) 2"	Not Included	Included
1011772	1	3"	Not Included	2	(2) 2"	Not Included	Not Included
1011771	1	3"	Included	6	(2) 2", (4) 1-1/2"	Included	Included
1011776	1	3"	Included	6	(2) 2", (4) 1-1/2"	Included	Not Included
1011775	1	3"	Not Included	6	(2) 2", (4) 1-1/2"	Not Included	Included
1011777	1	3"	Not Included	6	(2) 2", (4) 1-1/2"	Not Included	Not Included

\* Inlet fittings include 3" x 2" Bushing, 2" Close Nipple, 2" Full Port Ball Valve and 2" 4-Lug Female Coupling.  
 Outlet fittings include 2" 2" Close Nipple and 4-Lug Female Coupling.



1011770



1011773



1011774



1011772



1011771



1011776



1011775

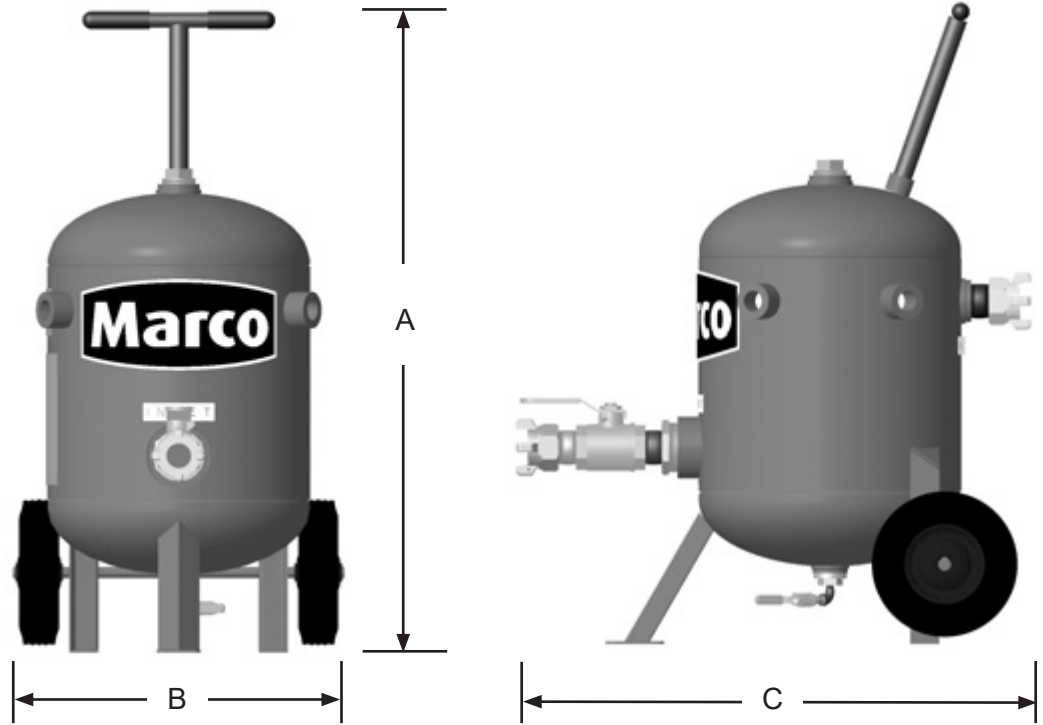


1011777

# SPECIFICATIONS

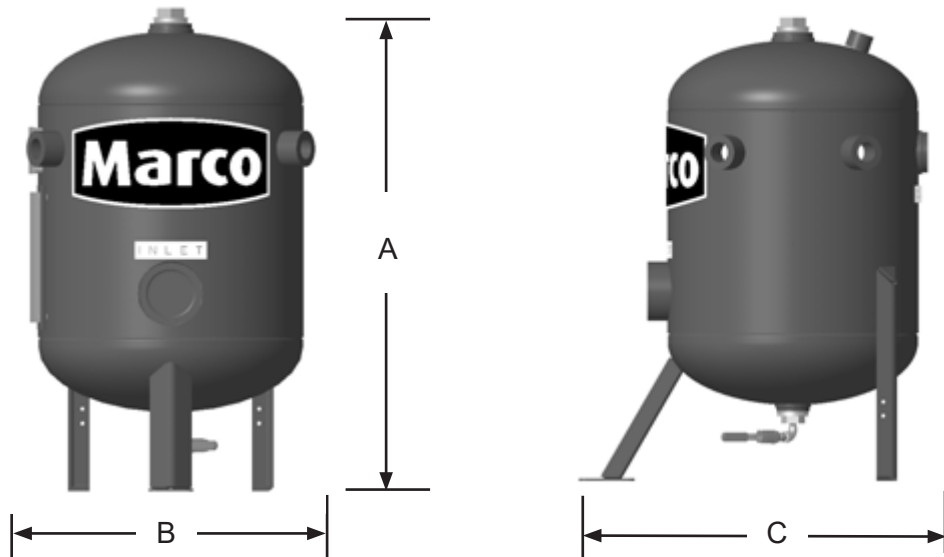
**Weight:**  
1011770: 170 Pounds  
1011774: 160 Pounds  
1011771: 175 Pounds  
1011775: 165Pounds

**Overall Dimensions:**  
A: 44"  
B: 23"  
C: 35"



**Weight:**  
1011773: 160 Pounds  
1011772: 150 Pounds  
1011776: 165 Pounds  
1011777: 155 Pounds

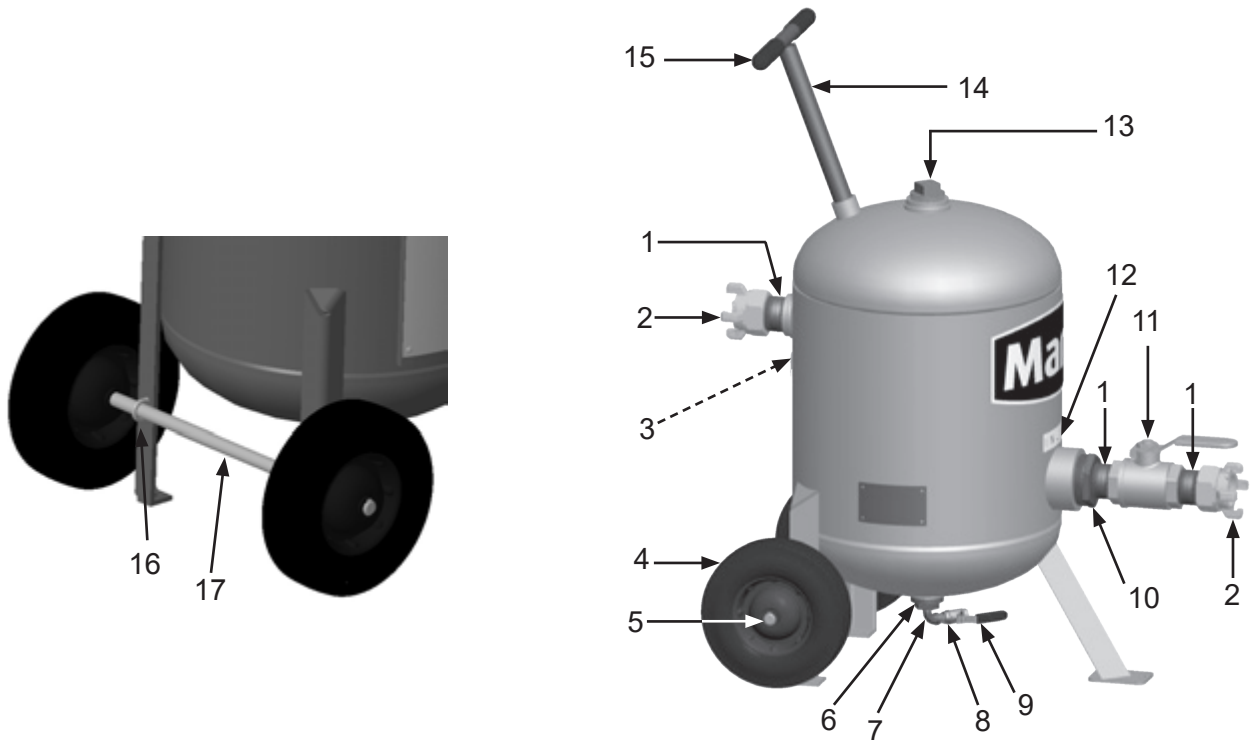
**Overall Dimensions:**  
A: 34"  
B: 19-1/2"  
C: 25"



6-Outlet model shown. 2-Outlet model has same dimensions.

## PART NUMBERS & SCHEMATICS

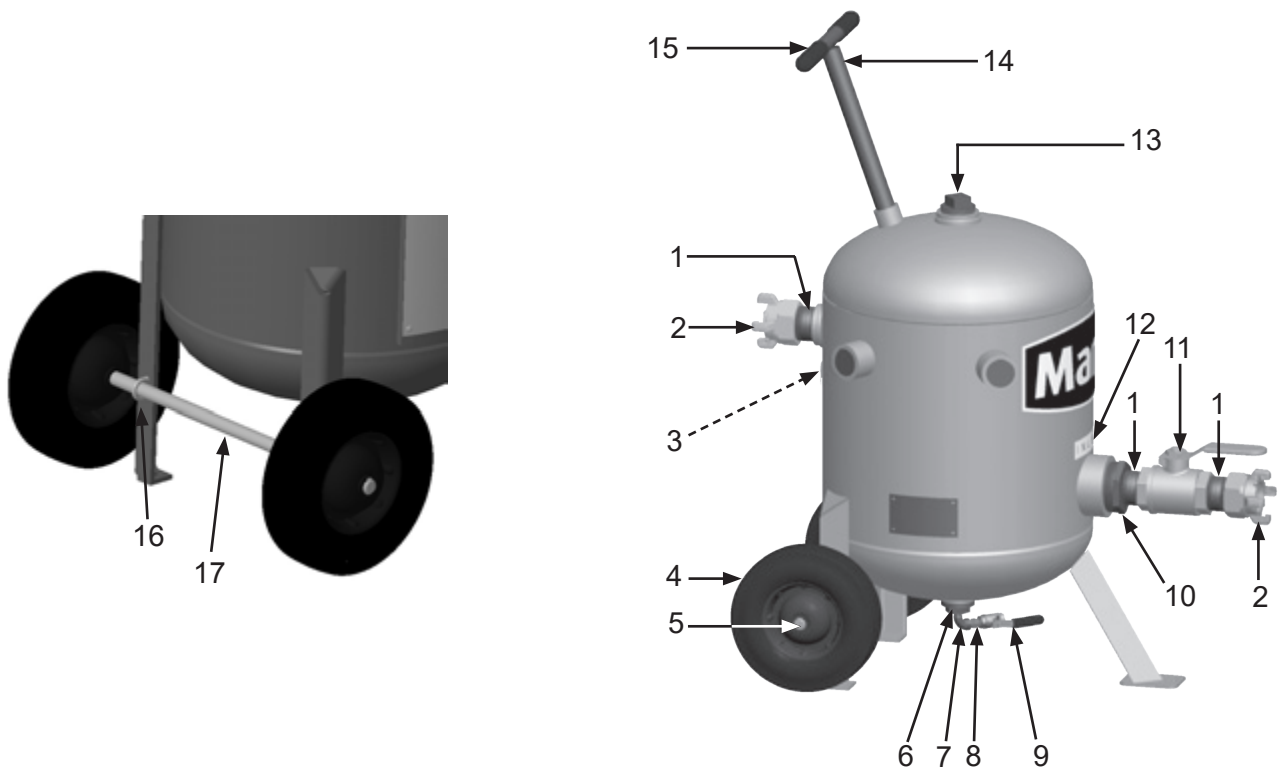
Figure 1: Blastmaster® 1600 CFM Moisture Separators – 2-Outlet



Item #	Part #	Description
<b>Fig. 1</b>		
—	<b>1011770</b>	<b>Blastmaster® 1600 CFM Moisture Separator – 2-Outlet – Portable</b>
—	<b>1011773</b>	<b>Blastmaster® 1600 CFM Moisture Separator – 2-Outlet – Stationary</b>
1	1001806	2" NPT Close Nipple (Three Required)
2	10ME5	4-lug Air Hose Fitting – 2" NPT (F) (Two Required)
3	1091049	Sticker - OUTLET
4	1006067	10" Wheel (Two Required, Portable Models Only)
5	1006211	Wheel Clip (Two Required, Portable Models Only)
6	1011822	1-1/2" (M) NPT x 1/4" (F) NPT Bushing
7	1011824	1/4" 90° Street Elbow
8	1017019	1/4" NPT Hex Nipple
9	1080050	1/4" Full Port Brass Ball Valve
10	10101183	3" x 2" Bushing
11	1011604	2" Full Port Brass Ball Valve
12	1091048	Sticker - INLET
13	1011823	2" NPT Galvanized Square Head Pipe Plug
14	1011765	Tee Handle with Grips (For Portable Models Only)
15	1011766	Grip for Tee Handle (For Portable Models Only)
16	10101813	1/4-20 x 3/4" ID U-bolt with nuts (For Portable Models Only)
17	10109429	3/4" OD Axle (For Portable Models Only)
—	106M458	Part Numbers and Schematics Guide – Blastmaster® 1600 CFM Moisture Separators
—	1093440	Operator's Manual – Blastmaster® 1600 CFM Moisture Separators

## PART NUMBERS & SCHEMATICS

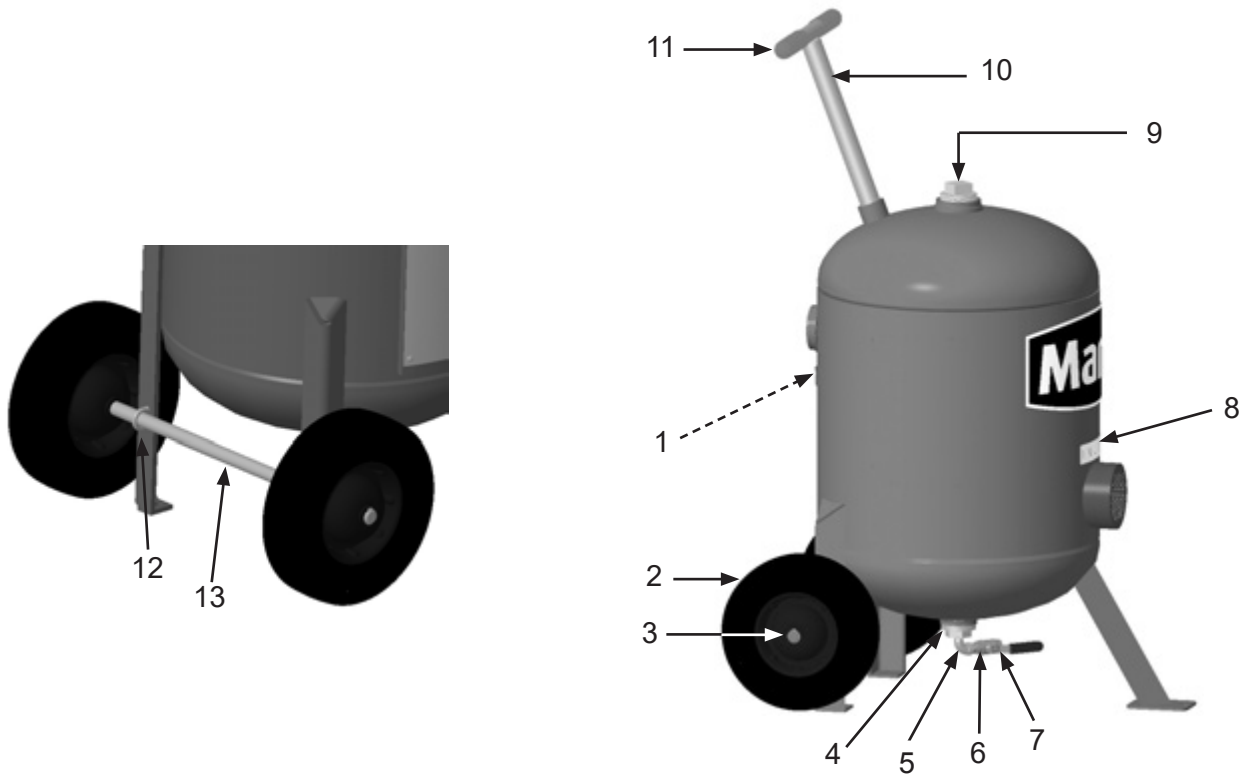
Figure 2: Blastmaster® 1600 CFM Moisture Separators – 6-Outlet



Item #	Part #	Description
Fig. 2		
—	1011771	Blastmaster® 1600 CFM Moisture Separator – 6-Outlet – Portable
—	1011776	Blastmaster® 1600 CFM Moisture Separator – 6-Outlet – Stationary
1	1001806	2" NPT Close Nipple (Three Required)
2	10ME5	4-lug Air Hose Fitting – 2" NPT (F) (Two Required)
3	1091049	Sticker - OUTLET
4	1006067	10" Wheel (Two Required, Portable Models Only)
5	1006211	Wheel Clip for 800 CFM Moisture Separator (Two Required, Portable Models Only)
6	1011822	1-1/2" (M) NPT x 1/4" (F) NPT Bushing
7	1011824	1/4" 90° Street Elbow
8	1017019	1/4" NPT Hex Nipple
9	1080050	1/4" Full Port Brass Ball Valve
10	10101183	3" x 2" Bushing
11	1011604	2" Full Port Brass Ball Valve (For Complete Models Only)
12	1091048	Sticker - INLET
13	1011823	2" NPT Square Head Pipe Plug
14	1011765	Tee Handle with Grips (For Portable Models Only)
15	1011766	Grip for Tee Handle (For Portable Models Only)
16	10101813	1/4-20 x 3/4" ID U-bolt with nuts (For Portable Models Only)
17	10109429	3/4" OD Axle (For Portable Models Only)
—	106M458	Part Numbers and Schematics Guide – Blastmaster® 1600 CFM Moisture Separators
—	1093440	Operator's Manual – Blastmaster® 1600 CFM Moisture Separators

## PART NUMBERS & SCHEMATICS

Figure 3: Blastmaster® 1600 CFM Moisture Separators without fittings – 2-Outlet

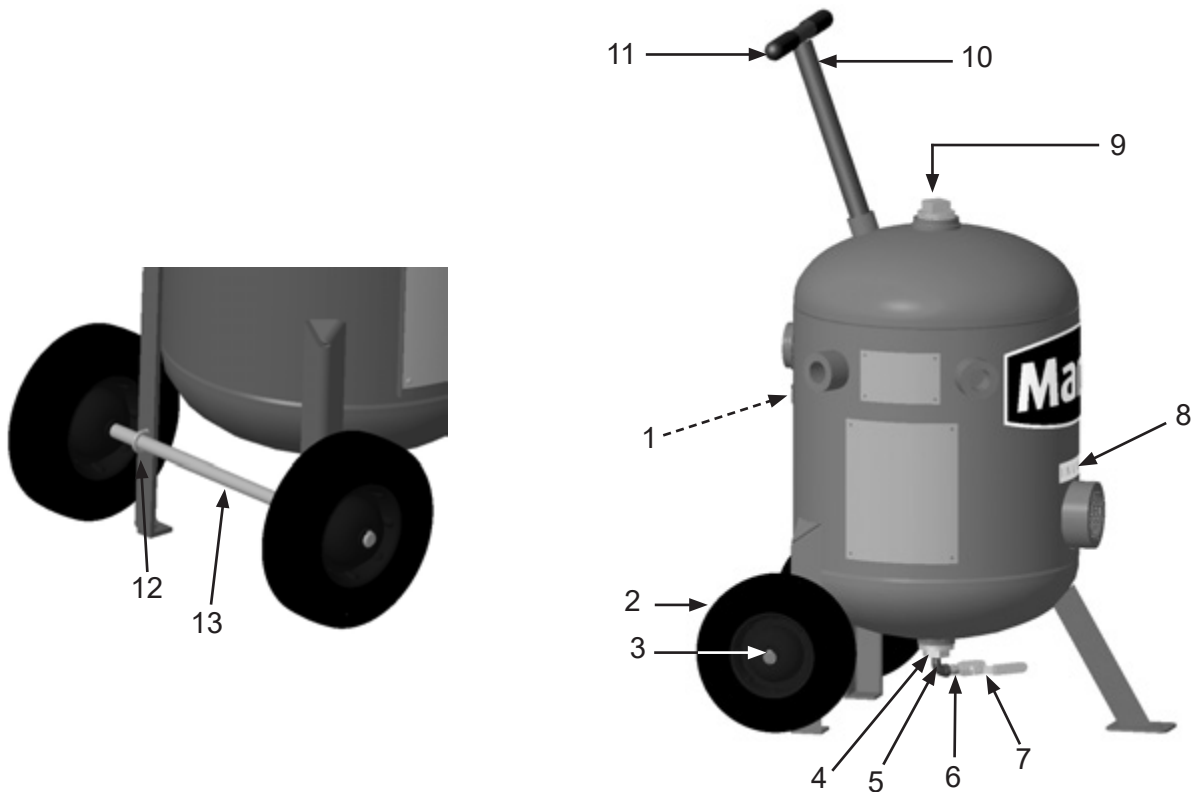


Item #	Part #	Description
<b>Fig. 3</b>		
—	<b>1011774</b>	<b>Blastmaster® 1600 CFM Moisture Separator without fittings – 2-Outlet – Portable</b>
—	<b>1011772</b>	<b>Blastmaster® 1600 CFM Moisture Separator without fittings – 2-Outlet – Stationary</b>
1	1091049	Sticker - OUTLET
2	1006067	10" Wheel <i>(Two Required, Portable Models Only)</i>
3	1006211	Wheel Clip <i>(Two Required, Portable Models Only)</i>
4	1011822	1-1/2" (M) NPT x 1/4" (F) NPT Bushing
5	1011824	1/4" 90° Street Elbow
6	1017019	1/4" NPT Hex Nipple
7	1080050	1/4" Full Port Brass Ball Valve
8	1091048	Sticker - INLET
9	1011823	2" NPT Galvanized Square Head Pipe Plug
10	1011765	Tee Handle with Grips <i>(For Portable Models Only)</i>
11	1011766	Grip for Tee Handle <i>(For Portable Models Only)</i>
12	10101813	1/4-20 x 3/4" ID U-bolt with nuts <i>(For Portable Models Only)</i>
13	10109429	3/4" OD Axle <i>(For Portable Models Only)</i>
—	106M458	Part Numbers and Schematics Guide – Blastmaster® 1600 CFM Moisture Separators
—	1093440	Operator's Manual – Blastmaster® 1600 CFM Moisture Separators



## PART NUMBERS & SCHEMATICS

Figure 4: Blastmaster® 1600 CFM Moisture Separators without fittings – 6-Outlet








Item #	Part #	Description
--------	--------	-------------





Fig. 4






—	1011775	Blastmaster® 1600 CFM Moisture Separator without fittings – 6-Outlet – Portable
—	1011777	Blastmaster® 1600 CFM Moisture Separator without fittings – 6-Outlet – Stationary
1	1091049	Sticker - OUTLET
2	1006067	10" Wheel ( <i>Two Required, Portable Models Only</i> )
3	1006211	Wheel Clip for 800 CFM Moisture Separator ( <i>Two Required, Portable Models Only</i> )
4	1011822	1-1/2" (M) NPT x 1/4" (F) NPT Bushing
5	1011824	1/4" 90° Street Elbow
6	1017019	1/4" NPT Hex Nipple
7	1080050	1/4" Full Port Brass Ball Valve
8	1091048	Sticker - INLET
9	1011823	2" NPT Square Head Pipe Plug
10	1011765	Tee Handle with Grips ( <i>For Portable Models Only</i> )
11	1011766	Grip for Tee Handle ( <i>For Portable Models Only</i> )
12	10101813	1/4-20 x 3/4" ID U-bolt with nuts ( <i>For Portable Models Only</i> )
13	10109429	3/4" OD Axle ( <i>For Portable Models Only</i> )
—	106M458	Part Numbers and Schematics Guide – Blastmaster® 1600 CFM Moisture Separators
—	1093440	Operator's Manual – Blastmaster® 1600 CFM Moisture Separators

# OPTIONAL ACCESSORIES

	<b>Part Numbers</b>	<b>GALVANIZED SQUARE HEAD PIPE PLUGS</b>	
			Size
	1011901		1"
	1011902		1-1/4"
	1011101		1-1/2"
	1011823		2"
	10101034		3"

## OPTIONAL ACCESSORIES

		AIRFLOW SHUTOFF KITS – LUG FITTINGS			
	<b>Part Numbers</b>	Pipe String I.D.	Close Nipple	Full Port Ball Valve	Coupling
	<b>10103731</b>	1"	1012151	1011601	10ME2
	<b>10103732</b>	1-1/4"	1011201 <i>(Quantity of Two)</i>	1011602	10ME3
	<b>10103733</b>	1-1/2"	1014015 <i>(Quantity of Two)</i>	1011603	10ME4
	<b>10103734</b>	2"	1001806 <i>(Quantity of Two)</i>	1011604	10ME5

		AIRFLOW SHUTOFF KITS – HAMMERLOCK FITTINGS			
	<b>Part Numbers</b>	Pipe String I.D.	Close Nipple	Full Port Ball Valve	Coupling Spud
	<b>10103830</b>	1"	10102151 <i>(Quantity of Two)</i>	1011601	10DXGB13
	<b>10103831</b>	1-1/4"	1011201 <i>(Quantity of Two)</i>	1011602	10DXGB18
	<b>10103832</b>	1-1/2"	1014015 <i>(Quantity of Two)</i>	1011603	10DXGB23
	<b>10103833</b>	2"	1001806 <i>(Quantity of Two)</i>	1011604	10DXGB28
	<b>10103934</b>	3"	10101040 <i>(Quantity of Two)</i>	1011608	10GB38

## CONTACT CENTER

- 3425 East Locust Street  
Davenport, IA 52803

ph: 800.BLAST.IT (800.252.7848)  
ph: 563.324.2519  
fax: 563.324.6258

## REGIONAL BRANCH OFFICES

- **Iowa**  
Davenport
- **Louisiana**  
Gonzales  
Lafayette
- **Ohio**  
Youngstown
- **Texas**  
Beaumont  
Corpus Christi  
Deer Park



ABRASIVES  
BLASTING  
COATING  
DUST COLLECTION  
RENTAL & SERVICE  
SAFETY  
VACUUMS

## 40+ NATIONWIDE SHIPPING LOCATIONS



★ Marco Regional Branch Offices  
and Shipping Locations

● Direct Shipping Locations

## CONTACT MARCO

800.BLAST.IT  
(800.252.7848)  
563.324.2519  
FAX: 563.324.6258

WWW.MARCO.US  
SALES@MARCO.US