



BLASTMASTER® 160 **CU. FT.** ABRASIVE BLASTING POTS



BUILT MARCO
TOUGH
MARCO MANUFACTURED

PART NUMBERS AND SCHEMATICS GUIDE

Company Profile

Since 1944, Marco has developed a strong tradition of providing innovative and reliable products and services to the surface preparation and protective coatings industries. We are the world's premier provider of Abrasives, Blasting, Coating, Dust Collectors, Engineered Systems, Rental, Safety, Service, Repair, & Modernization, and Vacuums.

Through innovative designs and a total commitment to quality, Marco manufactures products that increase production rates, create a safer workplace, and reduce maintenance costs. Marco's industry experience, manufacturing capabilities, legendary customer service, product availability, logistics services, and technology leadership is your assurance that we deliver high quality products and services, providing the best value to you, our customer.

The Marco Difference

- **Industry Experience** – With Marco on your team, you have access to expertise which can only come from decades of industry leadership. We have organized our engineering department, production specialists, customer operations, and safety support into a "Center of Competence." As a Marco customer, you have access to hundreds of years of cumulative experience related to your operations.
- **Manufacturing Excellence** – Marco is a manufacturer of equipment for the Surface Preparation and Protective Coatings industries. Marco's engineers benchmark the industry to ensure that we design and manufacture superior products that set the "Gold Standard" for performance, safety, and quality.
- **Legendary Customer Service** – Marco's legendary customer service team is staffed by friendly, highly-trained individuals who are focused on providing the highest level of product support, order accuracy, and customer satisfaction.
- **Product Availability** – We stock over 10,000 SKU's and have more than 45 shipping locations to serve North American and International markets for all major brands of blasting and coating equipment. As the largest provider of surface preparation and protective coatings equipment in the world, our inventory levels and product availability are unmatched.
- **Logistics Services** – Marco's in-house logistics team is dedicated to moving your shipment anywhere in the world. We move more than 14,000 truckloads every year, allowing you to save on freight costs by leveraging our buying power. Lower your process costs with a single invoice, which includes product and freight.
- **Technology Leadership** – Our website provides: Operator's Manuals, Part Numbers and Schematics Guides, SDS information, and Features & Specifications Guides, providing access to information 24/7. Our Extranet application allows you to receive quotes and place orders online. Our Intranet maintains a complete record of your purchase history to assist with ongoing support of your existing equipment and future purchasing decisions.

Vision Statement

Marco is the world's premier provider of Abrasives, Blasting, Coating, Dust Collectors, Engineered Systems, Rental, Safety, Service, Repair, & Modernization, and Vacuums.

Mission Statement

Marco provides strong leadership and innovation to the surface preparation and protective coatings industries. We dedicate our efforts to the continuous improvement of our products, services, processes, people, and most importantly, the quality of our customer's experience.

Quality Statement

Marco is committed to providing superior quality in the design, manufacturing, distribution, rental, service, and repair of our products. Continuous improvement of our processes and supply chain Integration comprise the core of our business strategy for delivering exceptional quality and value in all Marco products and services.

Management Philosophy

We are a company dedicated to the success of every customer and associate. We discuss, debate, challenge, measure, and test our ideas. We will be boundless and limitless in our passion to improve. Through sound leadership and dedicated associates, we will ensure a long term, profitable future for Marco, our associates, customers, and suppliers.

TABLE OF CONTENTS

Company Profile	1	Yard Trailer	45
Part Numbers	3	Fork-Pocket Skid Weldment Off Shore	47
Part Numbers and Schematics	9	Fork-Pocket Skid	48
Moisture Separator Assembly	9	Blastmaster® Large Exhaust Muffler	49
External Fittings and Components, Side View . . .	11	Hinged Ladder Extension (Optional)	51
Internal Fittings	13	Blastmaster® Bulk Bag Racks (Optional)	52
External Fittings and Components, Rear View . . .	14	Blastmaster® Bulk Bag Rack Locking Pin (Optional)	52
Pipe String Assembly	15	Abrasive Screen and Funnel (Optional)	53
Moisture Separator Mounting Assembly	16	Literature References	54
Blastmaster® Maxum III Abrasive Metering Valve	17		
Blastmaster® Maxum III Abrasive Metering Valve — Urethane Sleeve	19		
Blastmaster® Maxum III Abrasive Metering Valve — Tungsten Carbide Sleeve — 2"	21		
Blastmaster® Maxum III Abrasive Metering Valve — Urethane Sleeve — 2"	23		
Blastmaster® 130P Remote Control System	25		
1-1/2" NPT High-flow GateKeeper Air Valve	27		
12-Volt DC Blastmaster® 130E Remote Control System	29		
120-Volt AC Blastmaster® 130E Remote Control System	31		
Blastmaster® 120-Volt AC to 12-Volt AC Power Converters	33		
12-Volt DC 190 Electric Control Assembly	35		
12-Volt DC 190 Electric Solenoid	36		
12-Volt AC 190 Electric Control Assembly	37		
12-Volt AC 190 Electric Solenoid	38		
Power Distribution Boxes	39		
190 Pneumatic Solenoid	40		
Blastmaster® Camlock Closure Lockout Device	41		
Highway Trailer	43		

PART NUMBERS

BLASTMASTER® 160 CU. FT. ABRASIVE BLASTING POTS WITH HIGHWAY TRAILER

Mounting Option	Number of Outlets	Power Source	Remote Control Switch	Metering Valve Sleeve	
				Tungsten Carbide	Urethane
Highway Trailer					
10100913	2	Pneumatic	152	X	
10100908	2	Pneumatic	152		X
10106447	2	12-Volt DC	—	X	
10100943	2	12-Volt DC	151	X	
10100938	2	12-Volt DC	151		X
10100953	2	120-Volt AC	151	X	
10100948	2	120-Volt AC	151		X
10100923	3	Pneumatic	152	X	
10100918	3	Pneumatic	152		X
10100963	3	12-Volt DC	151	X	
10100958	3	12-Volt DC	151		X
10100973	3	120-Volt AC	151	X	
10100968	3	120-Volt AC	151		X
10100933	4	Pneumatic	152	X	
10100928	4	Pneumatic	152		X
10106450	4	12-Volt DC	—	X	
10100983	4	12-Volt DC	151	X	
10100978	4	12-Volt DC	151		X
10100993	4	120-Volt AC	151	X	
10100988	4	120-Volt AC	151		X

Part Numbers



The highway trailer includes electric brakes, fenders, and a DOT approved light package.

PART NUMBERS

BLASTMASTER® 160 CU. FT. ABRASIVE BLASTING POTS WITH YARD TRAILER

Mounting Option	Number of Outlets	Power Source	Remote Control Switch	Metering Valve Sleeve	
				Tungsten Carbide	Urethane
Yard Trailer					
10100912	2	Pneumatic	152	X	
10100907	2	Pneumatic	152		X
10106448	2	12-Volt DC	—	X	
10100942	2	12-Volt DC	151	X	
10100937	2	12-Volt DC	151		X
10100952	2	120-Volt AC	151	X	
10100947	2	120-Volt AC	151		X
10100922	3	Pneumatic	152	X	
10100917	3	Pneumatic	152		X
10100962	3	12-Volt DC	151	X	
10100957	3	12-Volt DC	151		X
10100972	3	120-Volt AC	151	X	
10100967	3	120-Volt AC	151		X
10100932	4	Pneumatic	152	X	
10100927	4	Pneumatic	152		X
10106451	4	12-Volt DC	—	X	
10100982	4	12-Volt DC	151	X	
10100977	4	12-Volt DC	151		X
10100992	4	120-Volt AC	151	X	
10100987	4	120-Volt AC	151		X

Part Numbers



The yard trailer is ideal for applications where mobility around the work site is required.

PART NUMBERS

BLASTMASTER® 160 CU. FT. ABRASIVE BLASTING POTS WITH OFFSHORE SKID

Mounting Option	Number of Outlets	Power Source	Remote Control Switch	Metering Valve Sleeve	
				Tungsten Carbide	Urethane
Offshore Skid					
10103277	2	Pneumatic	152	X	
10103276	2	Pneumatic	152		X
10106449	2	12-Volt DC	—	X	
10103282	2	12-Volt DC	151	X	
10103281	2	12-Volt DC	151		X
10103287	2	120-Volt AC	151	X	
10103286	2	120-Volt AC	151		X
10103279	3	Pneumatic	152	X	
10103278	3	Pneumatic	152		X
10103284	3	12-Volt DC	151	X	
10103283	3	12-Volt DC	151		X
10103289	3	120-Volt AC	151	X	
10103288	3	120-Volt AC	151		X
10102562	4	Pneumatic	152	X	
10103280	4	Pneumatic	152		X
10106452	4	12-Volt DC	—	X	
10102561	4	12-Volt DC	151	X	
10103285	4	12-Volt DC	151		X
10103291	4	120-Volt AC	151	X	
10103290	4	120-Volt AC	151		X

Part Numbers



Fork-pocket skid with impact guard and 10" x 4" fork-pocket tubes that sit 2" off the ground, and lifting lugs for 1" shackles.

PART NUMBERS

BLASTMASTER® 160 CU. FT. ABRASIVE BLASTING POTS WITH FORK-POCKET SKID

Mounting Option	Number of Outlets	Power Source	Remote Control Switch	Metering Valve Sleeve	
				Tungsten Carbide	Urethane
Fork-Pocket Skid					
10100911	2	Pneumatic	152	X	
10100906	2	Pneumatic	152		X
10100941	2	12-Volt DC	151	X	
10100936	2	12-Volt DC	151		X
10100951	2	120-Volt AC	151	X	
10100946	2	120-Volt AC	151		X
10100921	3	Pneumatic	152	X	
10100916	3	Pneumatic	152		X
10100961	3	12-Volt DC	151	X	
10100956	3	12-Volt DC	151		X
10100971	3	120-Volt AC	151	X	
10100966	3	120-Volt AC	151		X
10100931	4	Pneumatic	152	X	
10100926	4	Pneumatic	152		X
10100981	4	12-Volt DC	151	X	
10100976	4	12-Volt DC	151		X
10100991	4	120-Volt AC	151	X	
10100986	4	120-Volt AC	151		X

Part Numbers



The fork-pocket skid allows for ease of movement around a work site while using a mechanical lifting device.

PART NUMBERS

BLASTMASTER® 160 CU. FT. ABRASIVE BLASTING POTS WITH STATIONARY LEGS

Mounting Option	Number of Outlets	Power Source	Remote Control Switch	Metering Valve Sleeve	
				Tungsten Carbide	Urethane
Stationary					
10100909	2	Pneumatic	152	X	
10100904	2	Pneumatic	152		X
10100939	2	12-Volt DC	151	X	
10100934	2	12-Volt DC	151		X
10100949	2	120-Volt AC	151	X	
10100944	2	120-Volt AC	151		X
10100919	3	Pneumatic	152	X	
10100914	3	Pneumatic	152		X
10100959	3	12-Volt DC	151	X	
10100954	3	12-Volt DC	151		X
10100969	3	120-Volt AC	151	X	
10100964	3	120-Volt AC	151		X
10100929	4	Pneumatic	152	X	
10100924	4	Pneumatic	152		X
10100979	4	12-Volt DC	151	X	
10100974	4	12-Volt DC	151		X
10100989	4	120-Volt AC	151	X	
10100984	4	120-Volt AC	151		X

Part Numbers



The 20" stationary legs are ideal when the abrasive blasting pot will be in the same location for an extended period of time.

PART NUMBERS

BLASTMASTER® 160 CU. FT. ABRASIVE BLASTING POTS WITH KWIKSTOP DEPRESSURIZATION SYSTEM

	Mounting Options				Number of Outlets	Power Source	Remote Control Switch	Metering Valve Sleeve	KwikStop Depressurization System
	Highway Trailer	Yard Trailer	Offshore Skid	Fork-Pocket Skid				Tungsten Carbide	
Part Numbers	10106554	10106563	10106572	10106581	2	Pneumatic	152	X	X
	10106548	10106557	10106566	10106575	2	12-Volt DC	151	X	X
	10106651	10106560	10106569	10106578	2	120-Volt AC	151	X	X
	10106555	10106564	10106573	10106582	3	Pneumatic	152	X	X
	10106549	10106558	10106567	10106576	3	12-Volt DC	151	X	X
	10106552	10106561	10106570	10106579	3	120-Volt AC	151	X	X
	10106556	10106565	10106574	10106583	4	Pneumatic	152	X	X
	10106650	10106559	10106568	10106577	4	12-Volt DC	151	X	X
	10106553	10106562	10106571	10106580	4	120-Volt AC	151	X	X



The Blastmaster® KwikStop Depressurization System quickly reduces the pressure from the blast hose when remote control switch is released. The abrasive-laden compressed air is exhausted into an expansion chamber where the abrasive is trapped and the air is vented to the atmosphere. This decreases the time required to remove pressure from the blast hose allowing the operator to reposition more quickly.

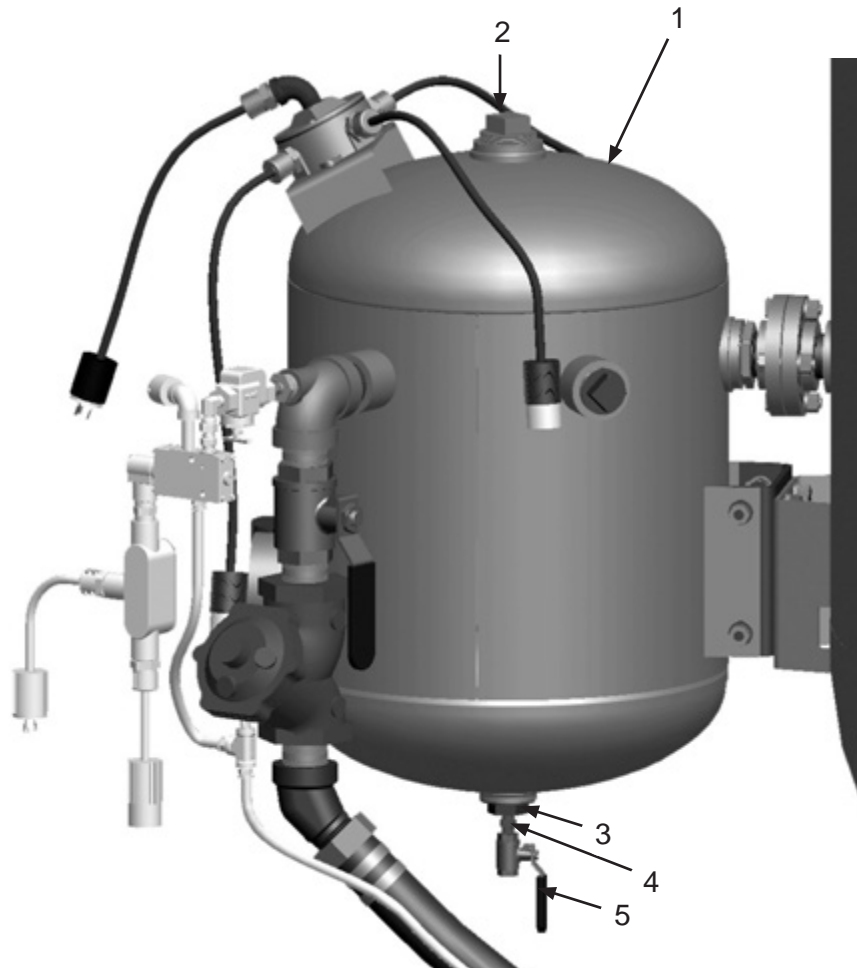
PART NUMBERS AND SCHEMATICS

Moisture Separator Assembly

Item #	Part #	Description
Fig. 1		
1	1081616	1600 CFM Moisture Separator for 160 Cu. Ft. and 120 Cu. Ft. Abrasive Blasting Pots
2	1011823	2" Pipe Plug
3	1011822	1-1/2" (M) NPT x 1/4" (F) NPT Bushing
4	20PFHA24SA0404	1/4" Hex Nipple
5	1080050	1/4" NPT Full Port Brass Ball Valve

PART NUMBERS AND SCHEMATICS

Figure 1: Moisture Separator Assembly



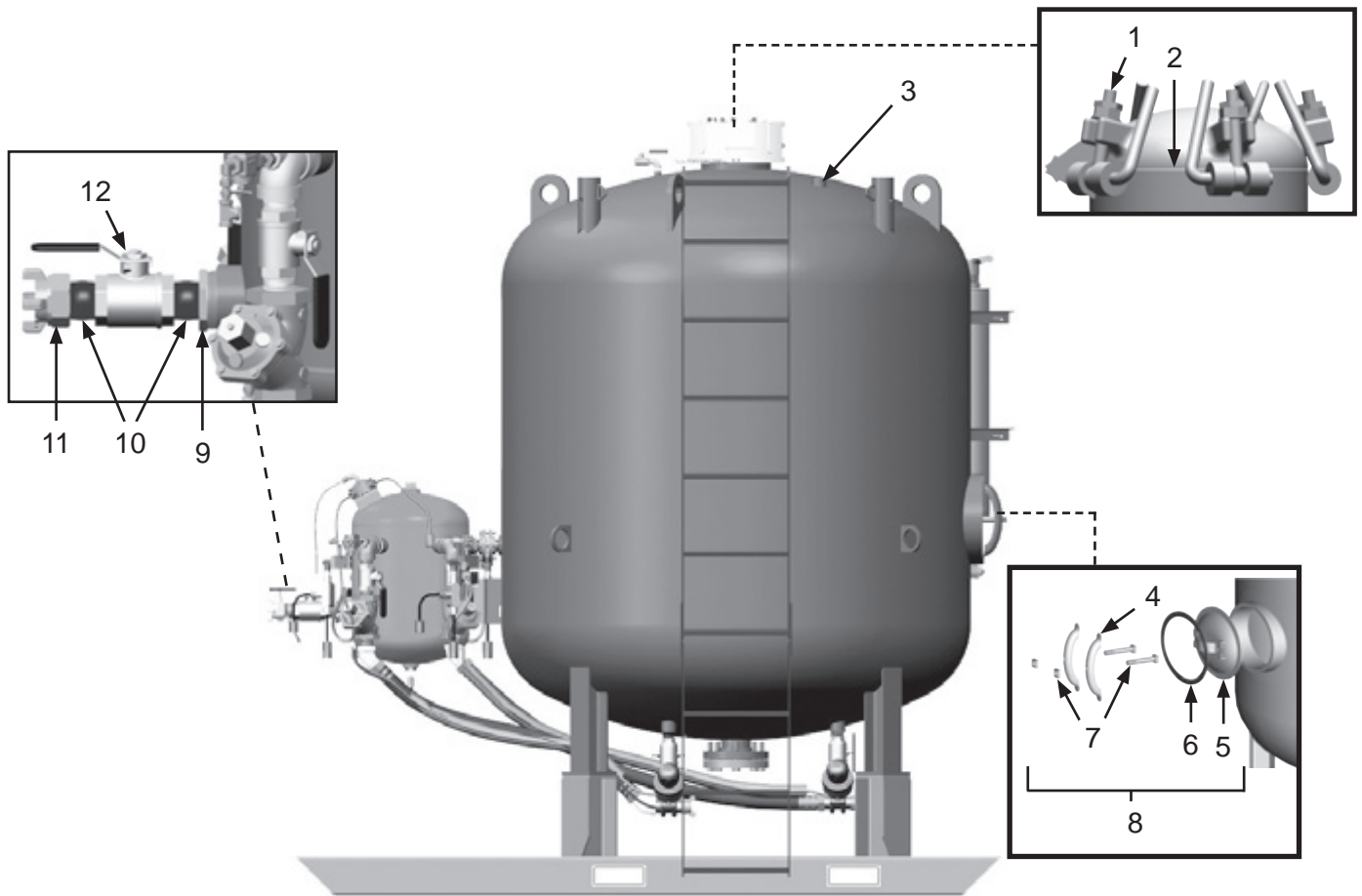
PART NUMBERS AND SCHEMATICS

External Fittings and Components, Side View

Item #	Part #	Description
Fig. 2		
1	10100698	Camlock Assembly <i>(Five Required)</i>
2	10100697	10" Hatch O-Ring
3	1011902	1-1/4" NPT Pipe Plug <i>(Two Required)</i>
4	10000365	Manway Crab <i>(Two Required)</i>
5	10000364	12" x 16" Manway Cover
6	10100703	12" x 16" Manway Assembly Gasket
7	1011848	Manway Nut and Bolt <i>(Two Required)</i>
8	10100702	12" x 16" Manway Assembly <i>(Includes Item #'s: 4, 5, 6, and 7)</i>
9	10101183	3" MNPT x 2" FNPT Bushing
10	1001806	2" NPT Close Nipple <i>(Two Required)</i>
11	10ME5	2" 4-Lug Female NPT Coupling
12	1011604	2" NPT Full Port Brass Ball Valve

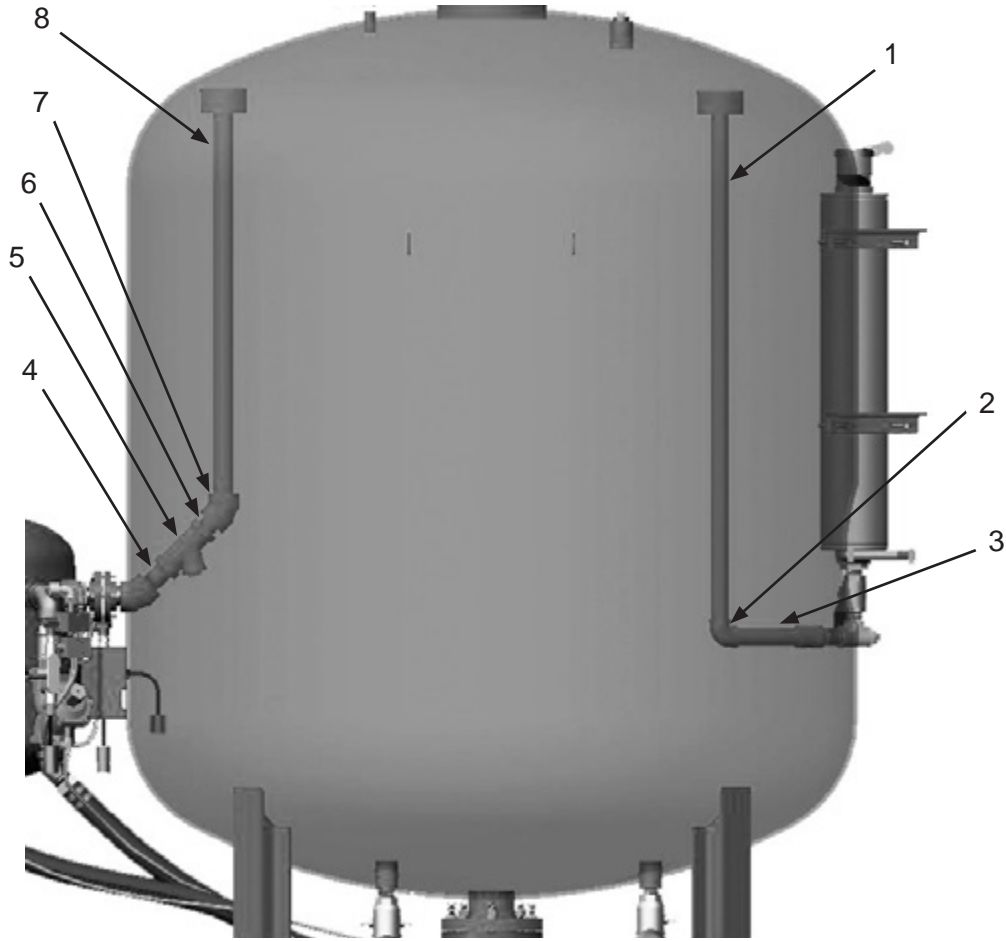
PART NUMBERS AND SCHEMATICS

Figure 2: External Fittings and Components, Side View



PART NUMBERS AND SCHEMATICS

Figure 3: Internal Fittings



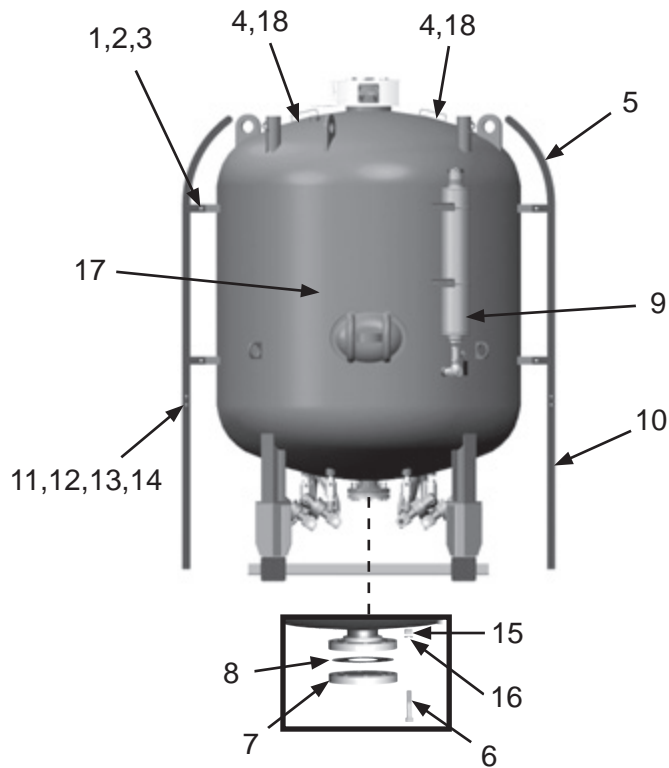
Item #	Part #	Description
--------	--------	-------------

Fig. 3

1	10105384	Outlet Tube with Deflector
2	1006204	1-1/4" NPT 90° Elbow
3	1006207	1-1/4" NPT X 8" Nipple
4	1011203	1-1/2" x 3" Nipple - Galvanized
5	1011841	1-1/2" Y-Strainer
6	1014015	1-1/2" Close Nipple - Galvanized
7	10000328	1-1/2" 45° Coupling
8	10100682	Inlet Tube with Deflector

PART NUMBERS AND SCHEMATICS

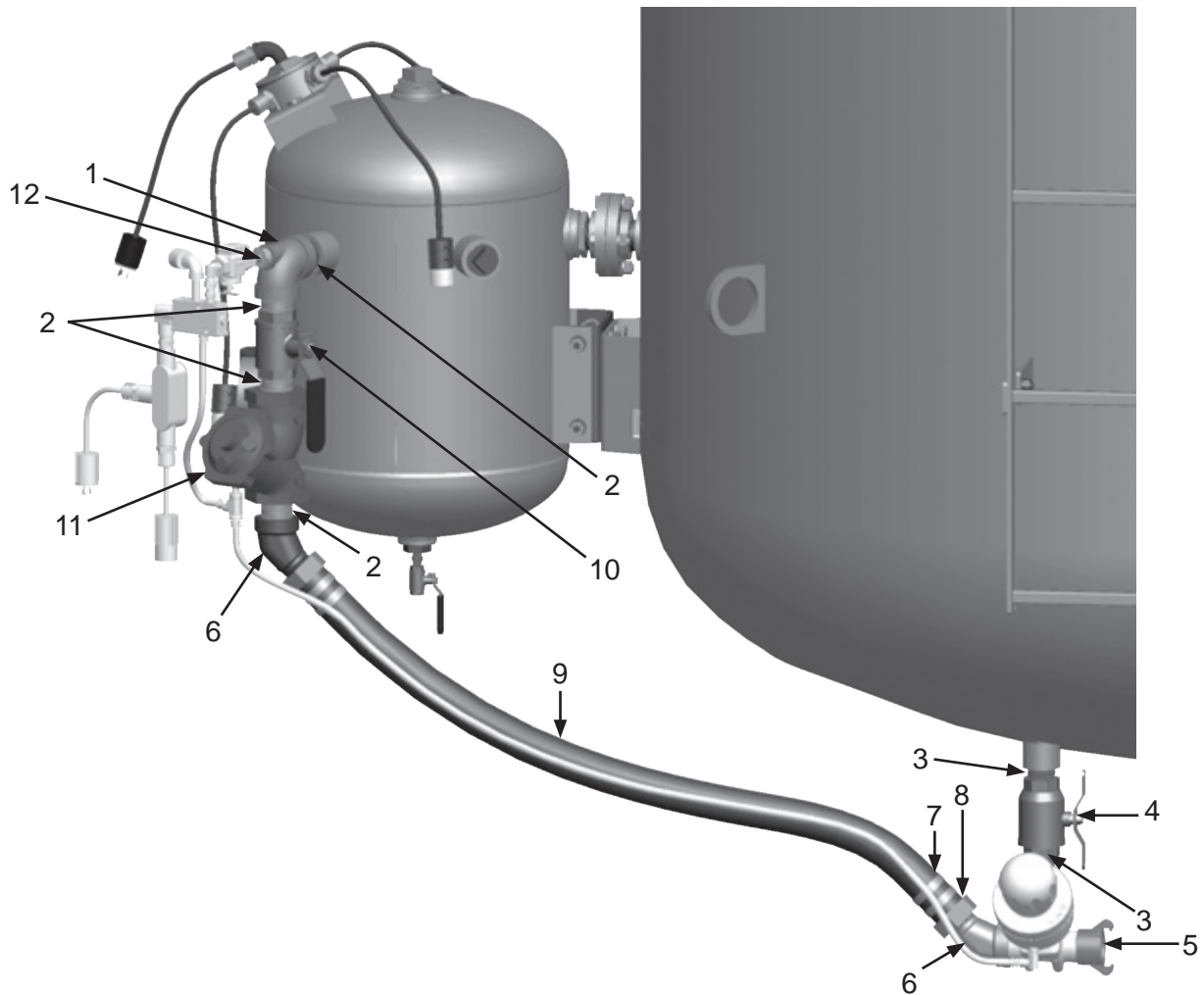
Figure 4: External Fittings and Components, Rear View



Item #	Part #	Description
Fig. 4		
1	10100597	1/2-13 x 1-1/4" UNC Hex Bolt (Four Required per Ladder)
2	10100598	1/2-13 Hex Nut (Four Required per Ladder)
3	10100599	1/2" Washer (Eight Required per Ladder)
4	1091052	Hazard Identification Sticker (Two Required)
5	10000343	Ladder Kit (Two Required per Abrasive Blasting Pot)
6	10100594	3/4-10 x 4" Hex Bolt (Eight Required)
7	10000498	4" Blind Flange
8	10000501	4" Flange Gasket
9	10103575	Absorptive Silencer U5-3 (See Figure 28)
10	10000512	Ladder Extension (Two Required)
—	10103915	Ladder Extension with Tape (Two Required)
11	10101938	3/8-16 Hex Nut (Eight Required)
12	10101936	3/8" Lock Washer (Eight Required)
13	10101942	3/8" Flat Washer (Eight Required)
14	10101059	3/8-16 x 1-1/4" A307 Bolt (Eight Required)
15	10100595	3/4-10 Hex Nut (Eight Required)
16	10100596	3/4" Lock Washer (Eight Required)
17	1091054	Hazard Identification Sticker
18	1091144	Bulk Pot Hatch Sticker (Two Required)

PART NUMBERS AND SCHEMATICS

Figure 5: Pipe String Assembly



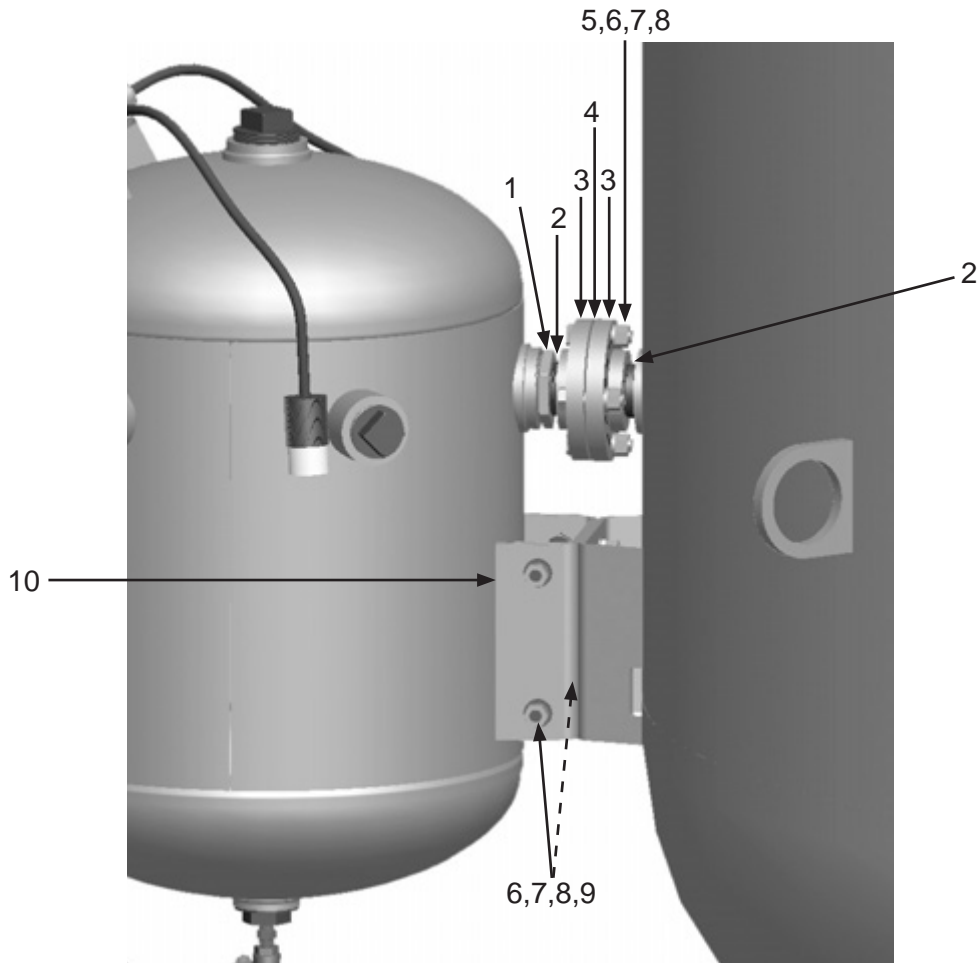
Item #	Part #	Description
--------	--------	-------------

Fig. 5

1	1011829	1-1/2" x 3/4" x 1-1/2" Reducing Tee
2	1014015	1-1/2" Close Nipple (<i>Three Required</i>)
3	1011201	1-1/4" NPT Close Nipple
4	1011606A	1-1/4" Union End Brass Ball Valve
5	10SB2S	1-1/2" NPT Brass Tank Coupling
6	1011805	1-1/2" NPT 45° Street Elbow (<i>Two Required</i>)
7	10AHCL3	Band Clamp (<i>Four Required</i>)
8	10SFE4	1-1/2" NPT Swivel Female Air Hose Fitting (<i>Two Required</i>)
9	10AH112B	1-1/2" I.D. Air Hose – Per Foot
10	1011603	1-1/2" NPT Full Port Brass Ball Valve
11	1013600	High-Flow Gatekeeper Air Valve – 1-1/2"
12	10100524	3/4" x 1/4" Galvanized Bushing

PART NUMBERS AND SCHEMATICS

Figure 6: Moisture Separator Mounting Assembly



Item #	Part #	Description
Fig. 6		
1	1001868	2" x 1-1/2" Bushing
2	1011849	1-1/2" Close Nipple (<i>Two Required</i>)
3	1011784	1-1/2" Flange (<i>Two Required</i>)
4	1011785	1-1/2" Flange Gasket
5	1011786	1/2" UNC x 2-1/4" Hex Bolt (<i>Four Required</i>)
6	10100675	1/2" Lock Washer (<i>Eight Required</i>)
7	10100674	1/2" Flat Washer (<i>Eight Required</i>)
8	10101941	1/2-13 Hex Nut (<i>Eight Required</i>)
9	10100597	1/2-13 x 1-1/4" UNC Hex Bolt (<i>Four Required</i>)
10	10101171	Bulk Pot Moisture Separator Mounting Bracket

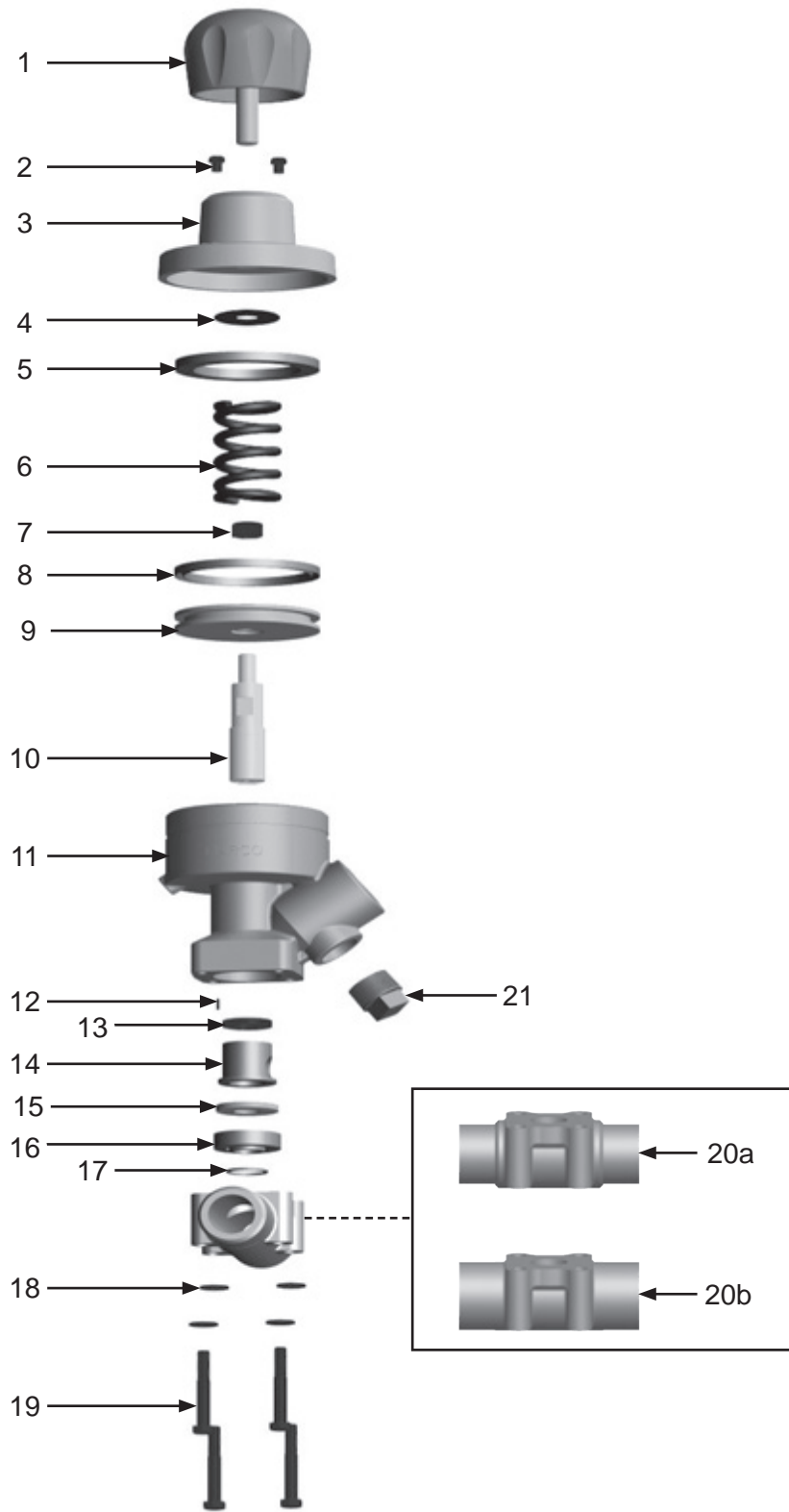
PART NUMBERS AND SCHEMATICS

Blastmaster® Maxum III Abrasive Metering Valve

Item #	Part #	Description
Fig. 7		
—	10101949	1-1/4" Blastmaster® Maxum III Abrasive Metering Valve – Tungsten Carbide Sleeve – Complete
—	10105907	1-1/4" Blastmaster® Maxum III Abrasive Metering Valve – Multi-port Sleeve – Complete
—	10101950	1-1/2" Blastmaster® Maxum III Abrasive Metering Valve – Tungsten Carbide Sleeve – Complete
—	10105908	1-1/2" Blastmaster® Maxum III Abrasive Metering Valve – Multi-port Sleeve – Complete
1	10101969	Knob
2	1012905	1/8" Breather Muffler <i>(Two Required)</i>
3	1014211	Cap
4	10106831	Vibration Disc
5	1014212	Bump Ring
6	1014213	Spring
7	1014022	1/2–13 Nut
8	1014215	Piston Seal
9	1014216	Piston
10	1014217	Tungsten Carbide Plunger
11	10101772	Body
12	1014240	3/32" x 3/8" Groove Pin
13	10103977	Heavy-Duty Plunger Seal
14	1014238	Tungsten Carbide Sleeve
—	10102123	Carbon Steel Sleeve- Multi-Port - <i>Optional (Orifice sizes: 0.178", 0.218", 0.278" and 0.343")</i>
15	1014237	Seat for Tungsten Carbide Sleeve
16	1014236	Insert for Tungsten Carbide Sleeve
17	1014235	O-ring for Tungsten Carbide Sleeve
18	1014241	3/8" Washer <i>(Four Required)</i>
19	10101933	3/8–16 x 2-1/2" Bolt <i>(Four Required)</i>
20a	10000229	1-1/4" Base, Through Hardened <i>(For use with 10101949)</i>
20b	10000230	1-1/2" Base, Through Hardened <i>(For use with 10101950)</i>
21	1011901	1" Square Pipe Plug
—	1014243	Repair Kit with Tungsten Carbide Sleeve <i>(Includes Item #'s: 8, 10, 13, 14, 15, 16, and 17)</i>
—	10105909	Repair Kit with Carbon Steel Multi-port Sleeve <i>(Includes Item #'s: 8, 10, 13, 14, 15, 16, and 17)</i>
—	1014221	Soft Seal Kit <i>(Includes Item #'s: 8, 13, 15 and 17)</i>
—	1091045	Hazard Identification Tag

PART NUMBERS AND SCHEMATICS

Figure 7: Blastmaster® Maxum III Abrasive Metering Valve



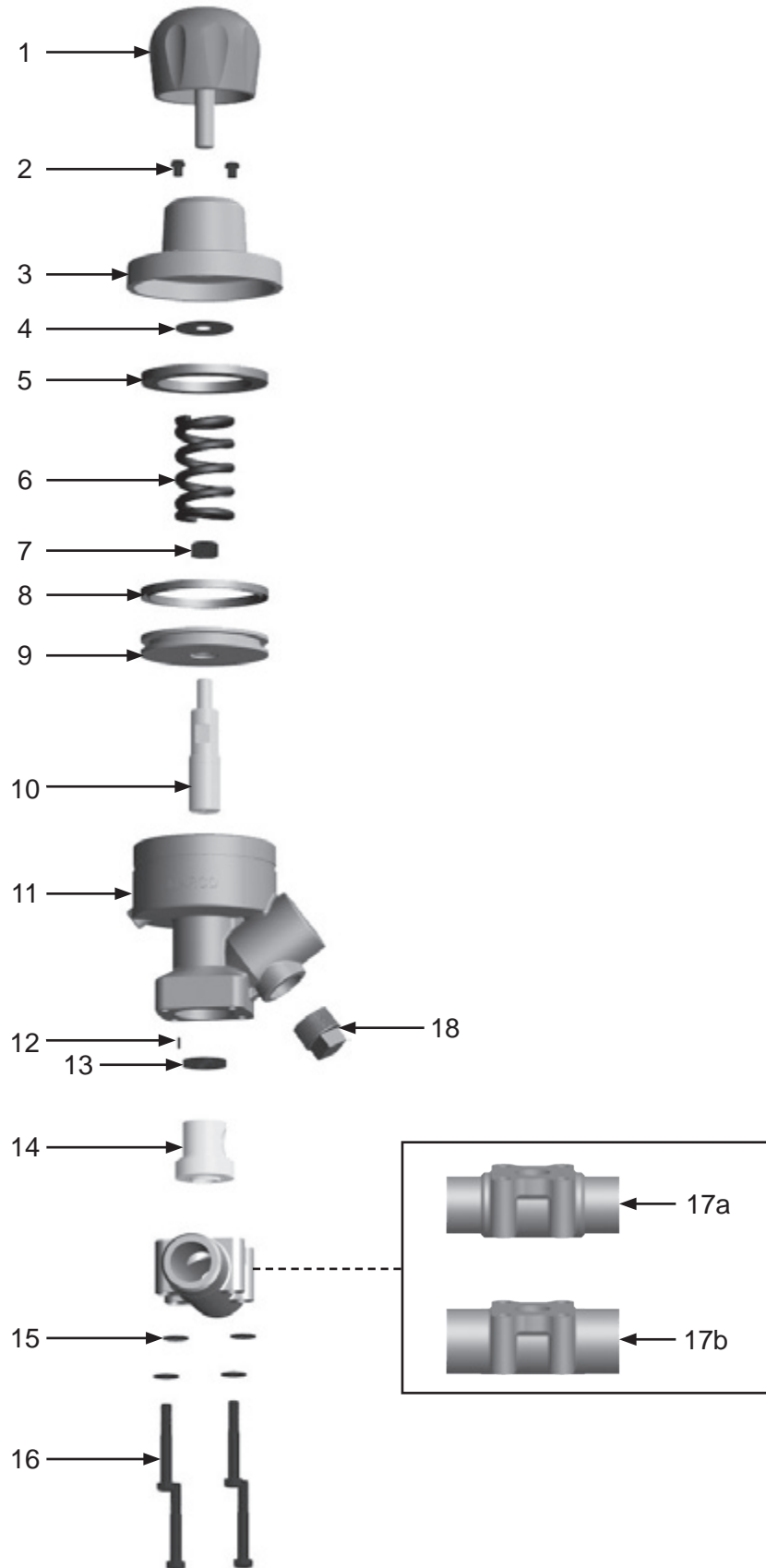
PART NUMBERS AND SCHEMATICS

Blastmaster® Maxum III Abrasive Metering Valve – Urethane Sleeve

Item #	Part #	Description
Fig. 8		
—	10101945	1-1/4" Blastmaster® Maxum III Abrasive Metering Valve – Urethane Sleeve – Complete
—	10101946	1-1/2" Blastmaster® Maxum III Abrasive Metering Valve – Urethane Sleeve – Complete
1	10101969	Knob
2	1012905	1/8" Breather Muffler <i>(Two Required)</i>
3	1014211	Cap
4	10106831	Vibration Disc
5	1014212	Bump Ring
6	1014213	Spring
7	1014022	1/2–13 Nut
8	1014215	Piston Seal
9	1014216	Piston
10	1014217	Tungsten Carbide Plunger
11	10101772	Body
12	1014240	3/32" x 3/8" Groove Pin
13	10103977	Heavy-Duty Plunger Seal
14	1014229	Urethane Sleeve
15	1014241	3/8" Washer <i>(Four Required)</i>
16	10101933	3/8–16 x 2-1/2" Bolt <i>(Four Required)</i>
17a	10000229	1-1/4" Base, Through Hardened <i>(For use with 10101945)</i>
17b	10000230	1-1/2" Base, Through Hardened <i>(For use with 10101946)</i>
18	1011901	1" Square Pipe Plug
—	1014244	Repair Kit with Urethane Sleeve <i>(Includes Item #'s: 8, 10, 13 and 14)</i>
—	1014222	Soft Seal Kit <i>(Includes Item #'s: 8, 13, and 14)</i>
—	1091045	Hazard Identification Tag

PART NUMBERS AND SCHEMATICS

Figure 8: Blastmaster® Maxum III Abrasive Metering Valve – Urethane Sleeve



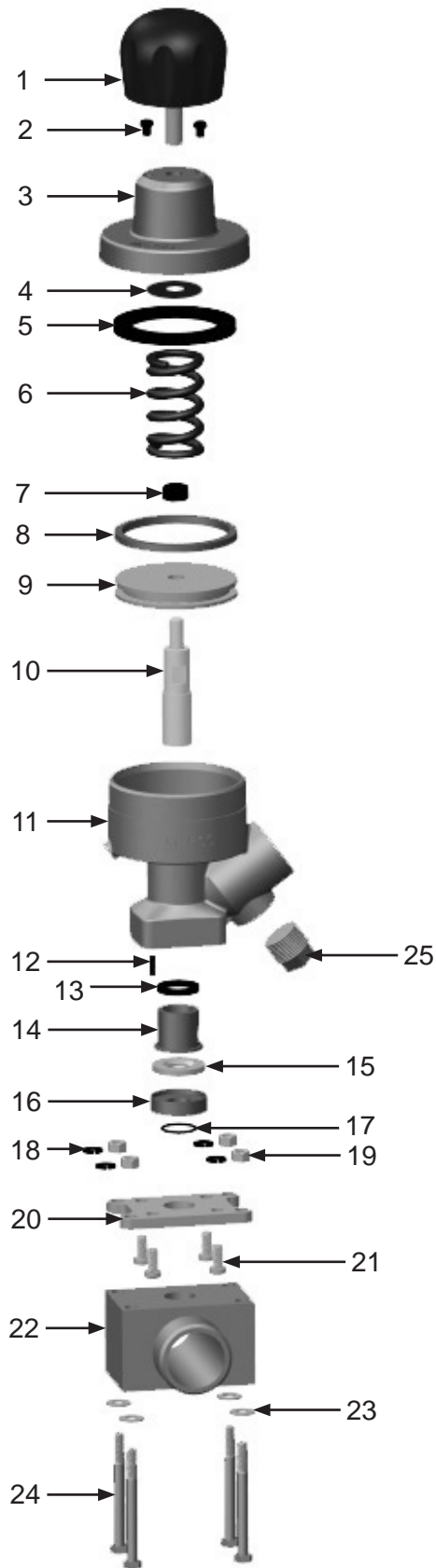
PART NUMBERS AND SCHEMATICS

Blastmaster® Maxum III Abrasive Metering Valve — Tungsten Carbide Sleeve — 2”

Item #	Part #	Description
Fig. 9		
—	10105872	2” Blastmaster® Maxum III Abrasive Metering Valve – Tungsten Carbide Sleeve – Complete
1	10101969	Knob
2	1012905	1/8" Breather Muffler <i>(Two Required)</i>
3	1014211	Cap
4	10106831	Vibration Disc
5	1014212	Bump Ring
6	1014213	Spring
7	1014022	1/2–13 Nut
8	1014215	Piston Seal
9	1014216	Piston
10	1014217	Tungsten Carbide Plunger
11	10101772	Body
12	1014240	3/32" x 3/8" Groove Pin
13	10103977	Heavy-Duty Plunger Seal
14	1014238	Tungsten Carbide Sleeve
15	1014237	Seat for Tungsten Carbide Sleeve
16	1014236	Insert for Tungsten Carbide Sleeve
17	1014235	O-ring for Tungsten Carbide Sleeve
18	10101936	3/8" Washer <i>(Four Required)</i>
19	10101938	3/8–16 Hex Nut <i>(Four Required)</i>
20	10105568	Adapter Plate
21	10105570	3/8-16 X 3/4" Socket Head Cap Screw <i>(Four Required)</i>
22	10105567	2" Base, Through Hardened <i>(For use with 10105573)</i>
23	1014241	3/8" Washer <i>(Four Required)</i>
24	10105569	3/8–16 x 3-3/4" Bolt <i>(Four Required)</i>
25	1011901	1" Square Pipe Plug
—	1014243	Repair Kit with Tungsten Carbide Sleeve <i>(Includes Item #'s: 8, 10, 13, 14, 15, 16, and 17)</i>
—	1014221	Soft Seal Kit <i>(Includes Item #'s: 8, 13, 15 and 17)</i>
—	1091045	Hazard Identification Tag

PART NUMBERS AND SCHEMATICS

Figure 9: Blastmaster® Maxum III Abrasive Metering Valve — Tungsten Carbide Sleeve — 2”



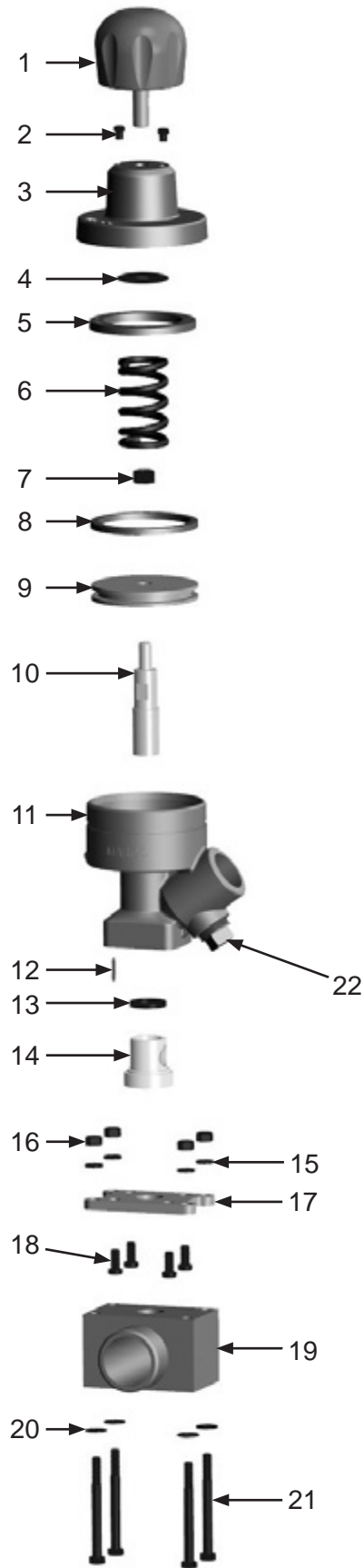
PART NUMBERS AND SCHEMATICS

Blastmaster® Maxum III Abrasive Metering Valve — Urethane Sleeve — 2”

Item #	Part #	Description
Fig. 10		
—	10105573	2” Blastmaster® Maxum III Abrasive Metering Valve – Urethane Sleeve – Complete
1	10101969	Knob
2	1012905	1/8" Breather Muffler <i>(Two Required)</i>
3	1014211	Cap
4	10106831	Vibration Disc
5	1014212	Bump Ring
6	1014213	Spring
7	1014022	1/2–13 Nut
8	1014215	Piston Seal
9	1014216	Piston
10	1014217	Tungsten Carbide Plunger
11	10101772	Body
12	1014240	3/32" x 3/8" Groove Pin
13	10103977	Heavy-Duty Plunger Seal
14	1014229	Urethane Sleeve
15	10101936	3/8" Washer <i>(Four Required)</i>
16	10101938	3/8–16 Hex Nut <i>(Four Required)</i>
17	10105568	Adapter Plate
18	10105570	3/8-16 X 3/4" Socket Head Cap Screw <i>(Four Required)</i>
19	10105567	2" Base, Through Hardened <i>(For use with 10105573)</i>
20	1014241	3/8" Washer <i>(Four Required)</i>
21	10105569	3/8–16 x 3-3/4" Bolt <i>(Four Required)</i>
22	1011901	1" Square Pipe Plug
—	1014244	Repair Kit with Urethane Sleeve <i>(Includes Item #'s: 8, 10, 13 and 14)</i>
—	1014222	Soft Seal Kit <i>(Includes Item #'s: 8, 13, and 14)</i>
—	1091045	Hazard Identification Tag

PART NUMBERS AND SCHEMATICS

Figure 10: Blastmaster® Maxum III Abrasive Metering Valve — Urethane Sleeve — 2”



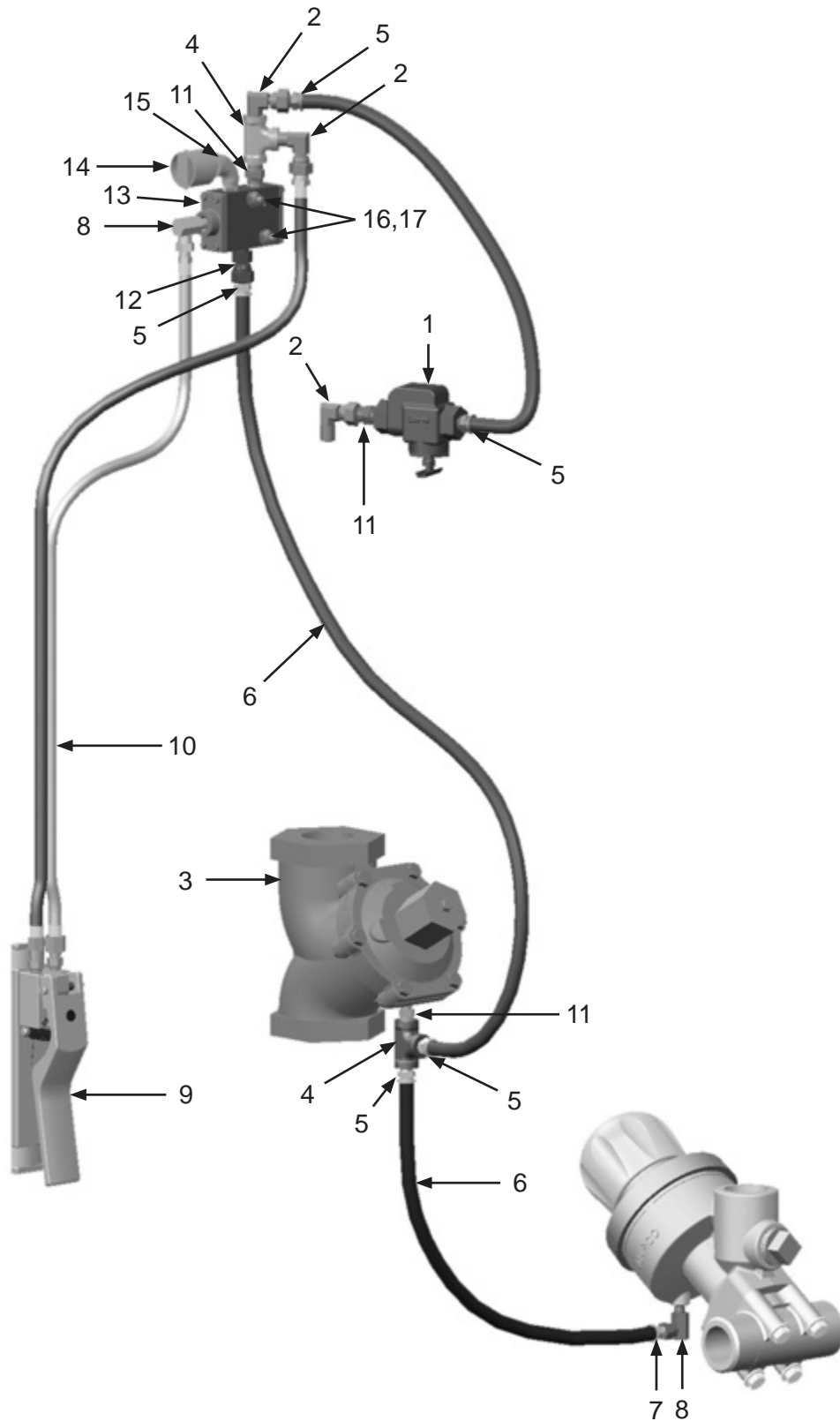
PART NUMBERS AND SCHEMATICS

Blastmaster® 130P Remote Control System

Item #	Part #	Description
Fig. 11		
—	10103834	Blastmaster® 130P Remote Control System — Complete
1	10WS	Watts Strainer
2	1012326	1/4" Swivel 90° Fitting (<i>Three Required</i>)
3	1013600	1-1/2" NPT High-flow GateKeeper Air Valve (<i>See Figure 3</i>)
4	1011844	1/4" NPT Pipe Tee (<i>Two Required</i>)
5	10PAF025	1/4" Push-On Hose Fitting (<i>Five Required</i>)
6	10AH025	1/4" Push-On Air Hose (<i>Per Foot</i>)
7	10PAF0125	1/8" Push-On Air Hose Fitting
8	1014239	1/8" 90° Swivel Fitting (<i>Two Required</i>)
9	1015200	Blastmaster® 152P Remote Control Switch
10	1016000	55 ft. of Pneumatic Control Line with 1/4" & 1/8" Male and Female Fittings
11	1017019	1/4" x 1/4" Hex Nipple (<i>Three Required</i>)
12	10SME025	1/4" Straight Swivel
13	1019000	190 Pneumatic Solenoid (<i>See Figure 5</i>)
14	10DE025	1/4" NPT Dust Eliminator
15	1011824	1/4" Street Elbow
16	1019044	1/4"-20 x 1-3/4" Zinc Bolt (<i>Two Required</i>)
17	1012323	1/4"-20 Zinc Lock Nut with Nylon (<i>Two Required</i>)
—	1091045	Hazard Identification Tag

PART NUMBERS AND SCHEMATICS

Figure 11: Blastmaster® 130P Remote Control System



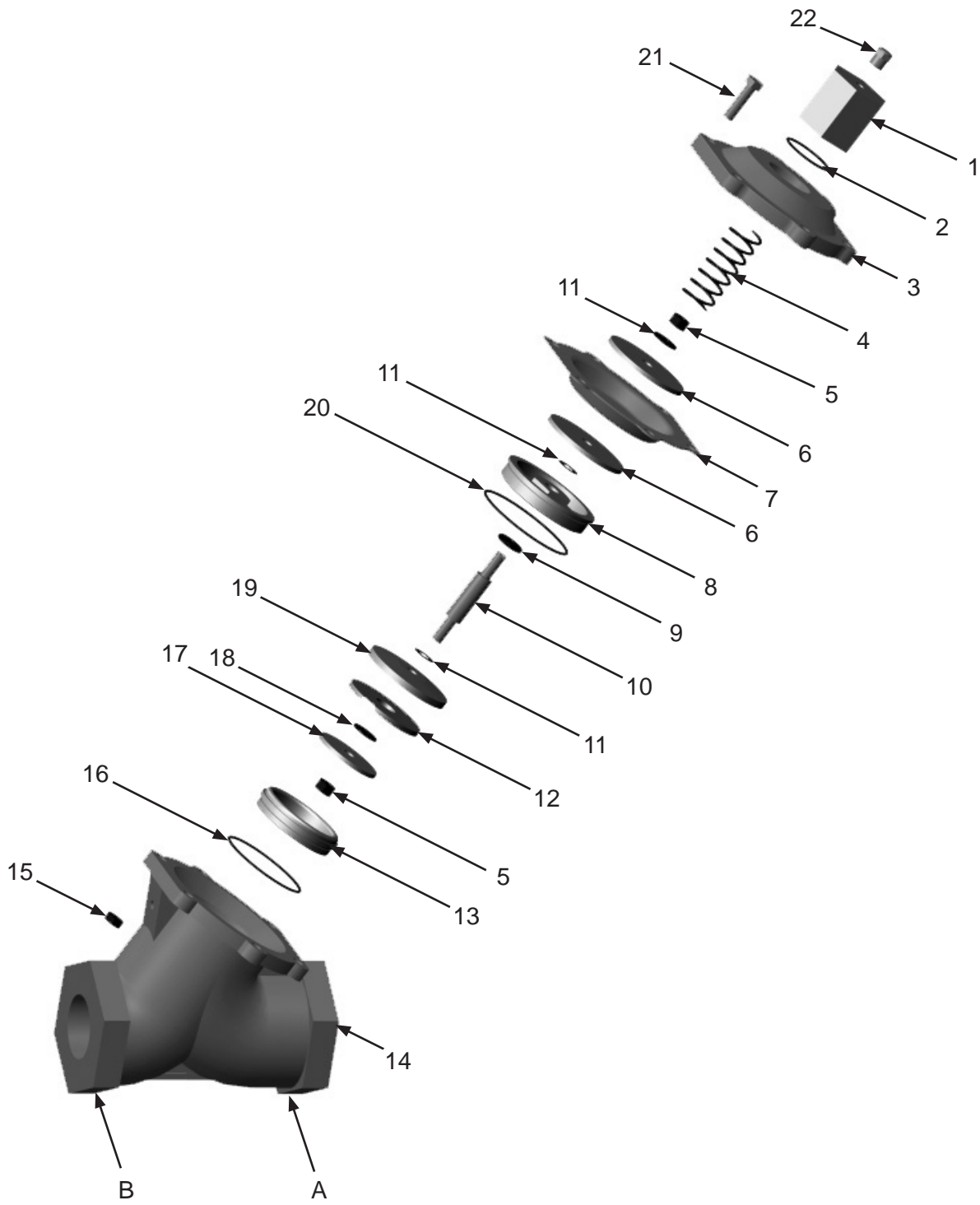
PART NUMBERS AND SCHEMATICS

1-1/2" NPT High-flow GateKeeper Air Valve

Item #	Part #	Description
Fig. 12		
—	1013600	1-1/2" NPT High-flow GateKeeper Air Valve
1	1013322	Spring Retainer
2	1013326	O-ring
3	1013312	Cap
4	1013323	Spring
5	1013313	Lock Nut
6	1013315	Diaphragm Plate <i>(two required)</i>
7	1013303	Diaphragm
8	1013305	Retainer Bushing
9	1013306	O-ring
10	1013318	Shaft
11	1013302	Gasket <i>(two required)</i>
12	1013320	Disc
13	1013311	Lock Nut
13	1013309	Seat
14	1013328	Body
15	1013316	Nut <i>(six required)</i>
16	1013308	Seat O-Ring
17	1013310	Disc Plate
18	1013327	Brass Washer
19	1013307	Disc Retainer
20	1013304	O-ring
21	1013314	Cap Screw <i>(six required)</i>
22	1012905	1/8" Breather Muffler
A	1091050	Sticker - Air Inlet
B	1091051	Sticker - Air Outlet
—	1013301	1-1/2" NPT High-flow GateKeeper Air Valve Service Kit <i>(Includes Item #'s: 5, 7, 9, 11, 12, 17, and 20)</i>

PART NUMBERS AND SCHEMATICS

Figure 12: 1-1/2" NPT High-flow GateKeeper Air Valve



PART NUMBERS AND SCHEMATICS

12-Volt DC Blastmaster® 130E Remote Control System

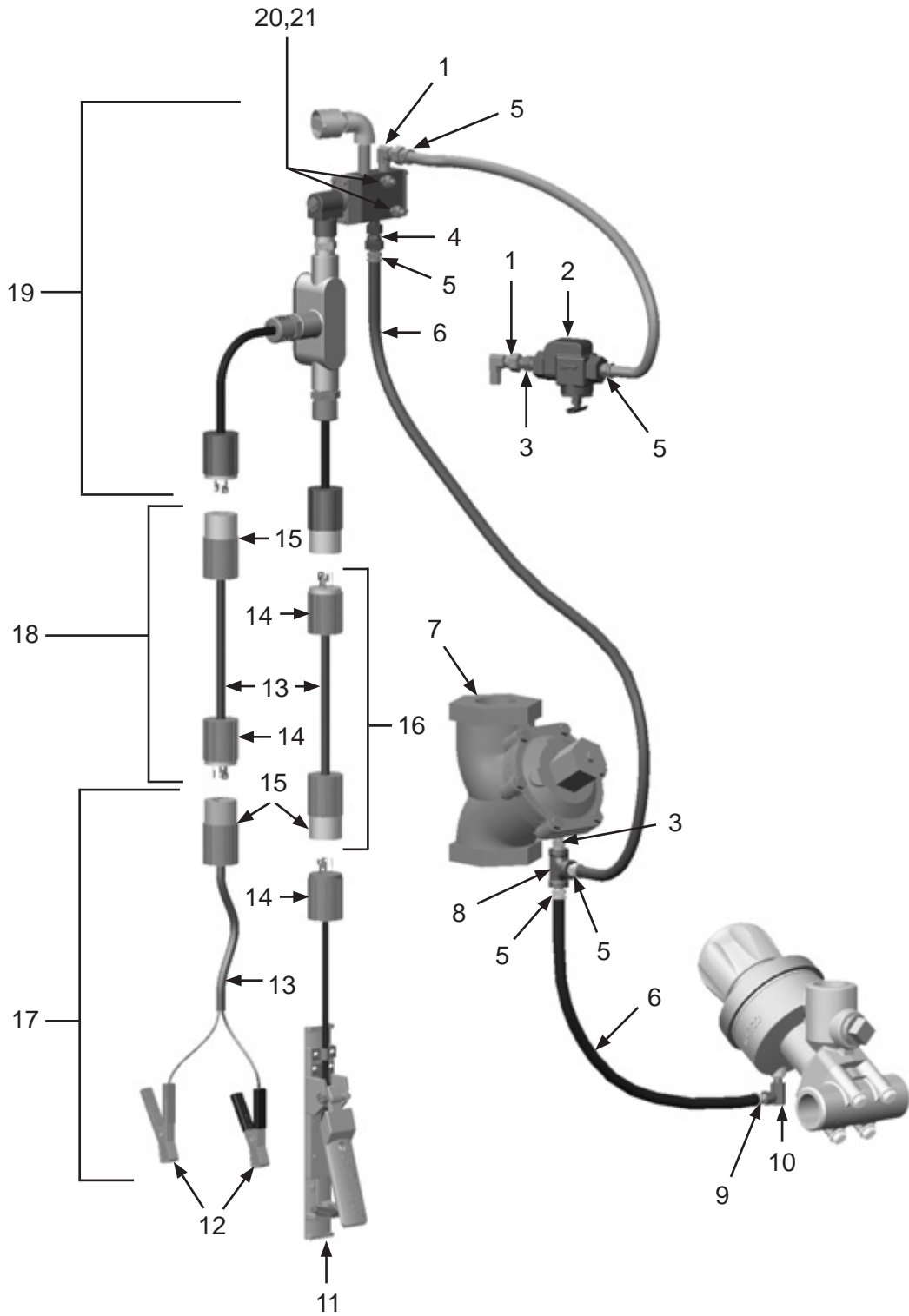
Item # Part # Description

Fig. 13

—	10103835	12-Volt DC Blastmaster® 130E Remote Control System – Complete
1	1012326	1/4" NPT Swivel 90° Fitting <i>(Two Required)</i>
2	10WS	Watts Strainer
3	1017019	1/4" NPT Hex Nipple <i>(Two Required)</i>
4	10SME025	1/4" Straight Swivel
5	10PAF025	1/4" NPT x 1/4" Barb Push-On Hose Fitting <i>(Five Required)</i>
6	10AH025	1/4" Push-On Air Hose <i>(Per Foot)</i>
7	1013600	1-1/2" NPT High-flow GateKeeper Air Valve <i>(See Figure 12)</i>
8	1011844	1/4" NPT Pipe Tee
9	10PAF0125	1/8" NPT x 1/4" Barb Push-On Air Hose Fitting
10	1014239	1/8" 90° Swivel Fitting
11	1015100	Blastmaster® 151E Remote Control Switch
12	1030718	Battery Clamps – pair
13	1015540	16/2 Power Cord <i>(Per Foot)</i>
14	1015555	3-prong Twist-Lock Plug – Male
15	1015556	3-prong Twist-Lock Plug – Female
16	1015545	50' of 16/2 SJ Power Cord with 3-prong Twist-Lock Plugs <i>(Includes Item #'s: 15, 16, and 14 (Quantity of 50 Feet))</i>
17	1015544	Battery Clamp Kit with 3-prong Twist-Lock Plug Installed <i>(Includes Item #'s: 13, 16, and 14 (Quantity of Two Feet))</i>
18	1015546	16/2 SJ Power Cord with 3-prong Twist-Lock Plugs Installed <i>(Includes Item #'s: 15, 16, and 14 (Quantity of 25 Feet))</i>
19	1019051	12-Volt DC 190 Electric Control Assembly <i>(See Figure 3)</i>
20	1019044	1/4-20 x 1-3/4" Zinc Bolt <i>(Two Required)</i>
21	1012323	1/4"-20 Zinc Lock Nut with Nylon <i>(Two Required)</i>
—	1091045	Hazard Identification Tag

PART NUMBERS AND SCHEMATICS

Figure 13: 12-Volt DC Blastmaster® 130E Remote Control System



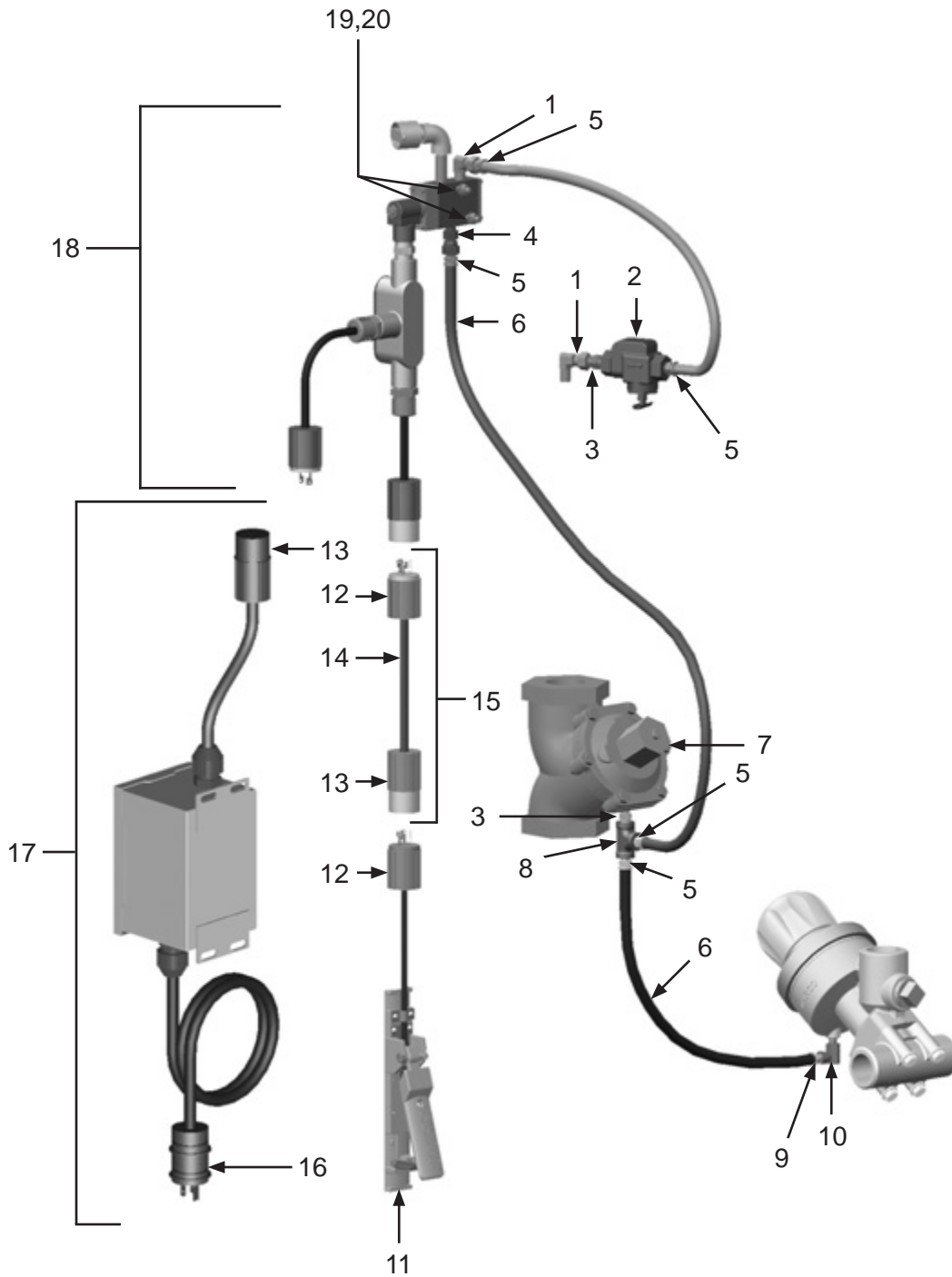
PART NUMBERS AND SCHEMATICS

120-Volt AC Blastmaster® 130E Remote Control System

Item #	Part #	Description
Fig. 14		
—	10103836	120-Volt AC Blastmaster® 130E Remote Control System – Complete
1	1012326	1/4" NPT Swivel 90° Fitting <i>(Two Required)</i>
2	10WS	Watts Strainer
3	1017019	1/4" NPT Hex Nipple <i>(Two Required)</i>
4	10SME025	1/4" Straight Swivel
5	10PAF025	1/4" NPT x 1/4" Barb Push-On Hose Fitting <i>(Five Required)</i>
6	10AH025	1/4" Push-On Air Hose <i>(Per Foot)</i>
7	1013600	1-1/2" NPT High-flow GateKeeper Air Valve <i>(See Figure 12)</i>
8	1011844	1/4" NPT Pipe Tee
9	10PAF0125	1/8" NPT x 1/4" Barb Push-On Air Hose Fitting
10	1014239	1/8" 90° Swivel Fitting
11	1015100	Blastmaster® 151E Remote Control Switch
12	1015555	3-Prong Twist-Lock Plug – Male <i>(Two Required)</i>
13	1015556	3-Prong Twist-Lock Plug – Female
14	1015540	16/2 Power Cord <i>(Per Foot)</i>
15	1015545	50' of 16/2 SJ Power Cord with 3-prong Twist-Lock Plugs Installed <i>(Includes Item #'s: 12, 13, and 14 (Quantity of 50 Feet))</i>
16	1030026	120-Volt 3-prong Standard Male Plug
17	1030020	2 Amp 120-Volt AC to 12-Volt AC Power Converter for Single Outlet Configurations <i>(Includes Item #'s: 13 and 16) (See Figure 15a)</i>
—	10100713	3 Amp 120-Volt AC to 12-Volt AC Power Converter for Multiple Outlet Configurations <i>(Includes Item #'s: 13 and 16) (See Figure 15b)</i>
18	1019052	12-Volt DC 190 Electric Control Assembly <i>(See Figure 18)</i>
19	1019044	1/4"-20 x 1-3/4" Zinc Bolt <i>(Two Required)</i>
20	1012323	1/4"-20 Zinc Lock Nut with Nylon <i>(Two Required)</i>
—	1091045	Hazard Identification Tag

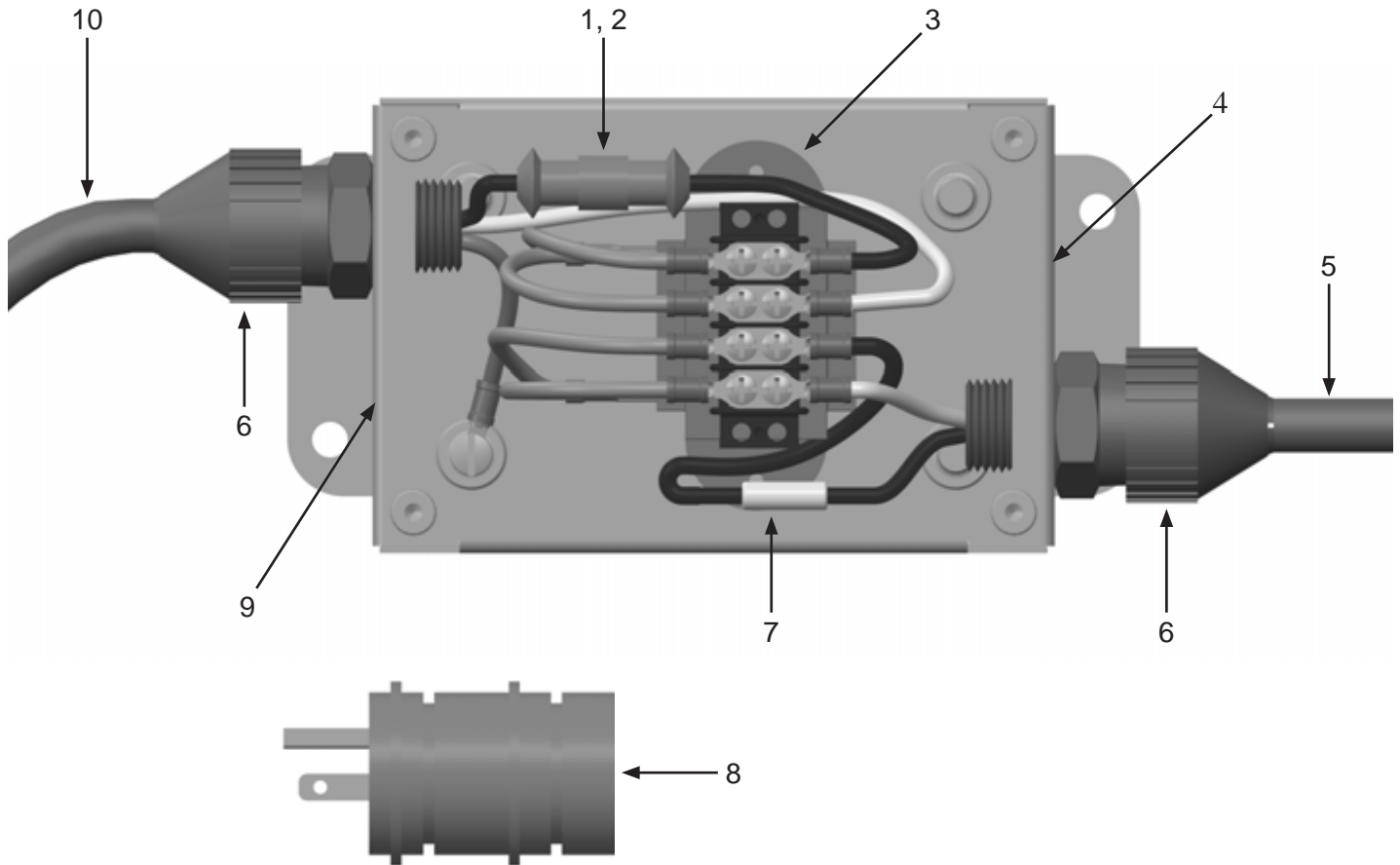
PART NUMBERS AND SCHEMATICS

Figure 14: 120-Volt AC Blastmaster® 130E Remote Control System



PART NUMBERS AND SCHEMATICS

Figure 15a: Blastmaster® 120-Volt AC to 12-Volt AC Power Converter For Single-Outlet Configurations



Item #	Part #	Description
--------	--------	-------------

Fig. 15a

—	1030020	Blastmaster® 120-Volt AC to 12-Volt AC Power Converter – For Single-Outlet Configurations
---	----------------	--

1	1030024	2 Amp Fuse
---	---------	------------

2	1030023	In-Line Fuse Holder
---	---------	---------------------

3	1030022	Transformer – Blastmaster® 120-Volt AC to 12-Volt AC Power Converter
---	---------	--

4	1091067	Power-Out Decal (<i>Not Shown</i>)
---	---------	--------------------------------------

5	1030013	14/2 SEOW Electric Cord (<i>Per Foot</i>)
---	---------	---

6	1030025	Strain Relief (<i>Two Required</i>)
---	---------	---------------------------------------

7	1030021	Resistor
---	---------	----------

8	1030026	3-Prong, 120-Volt AC Plug – Male
---	---------	----------------------------------

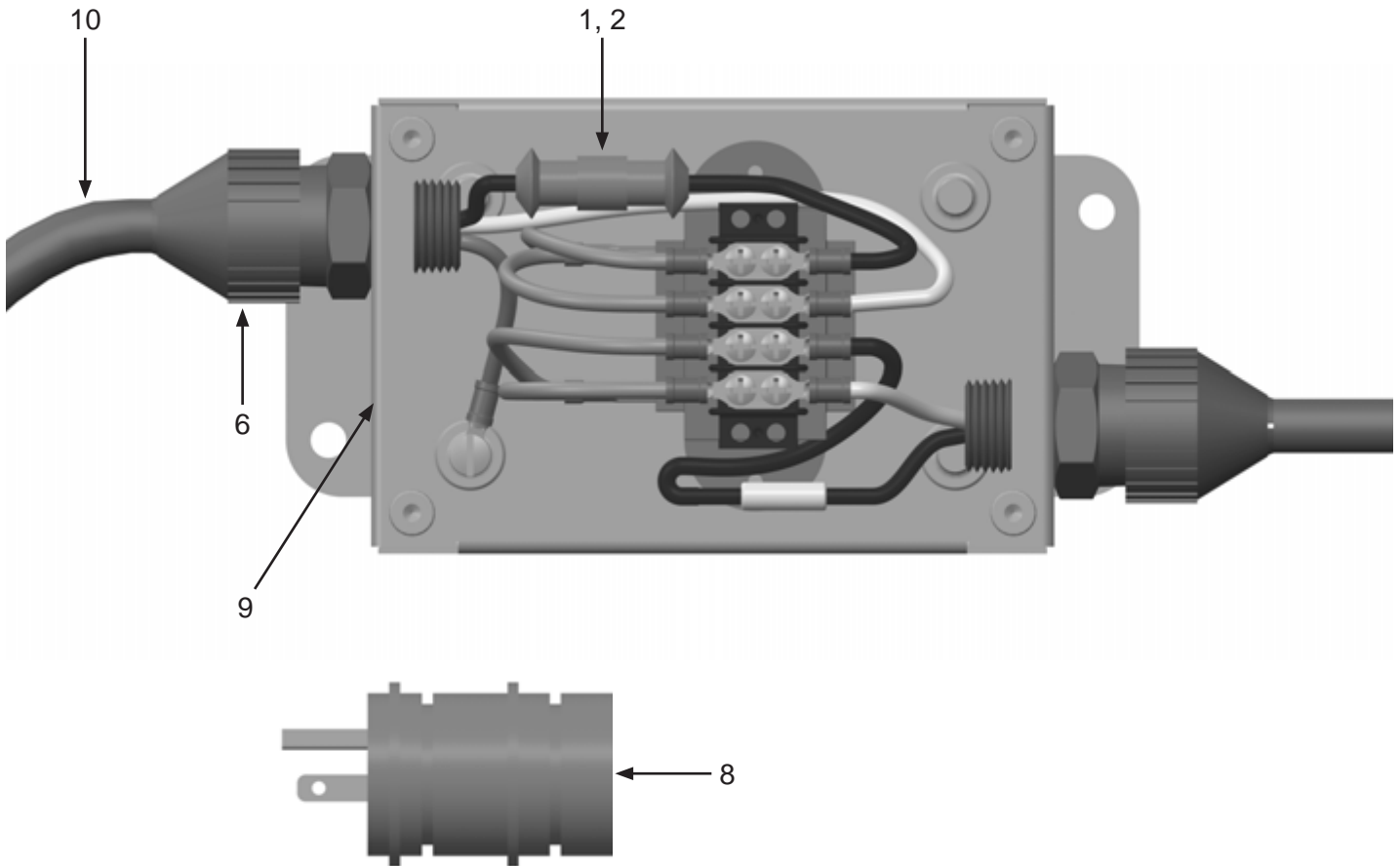
9	1092014	Power-In Decal (<i>Not Shown</i>)
---	---------	-------------------------------------

10	1015550	14/3 SEOW Electrical Cord (<i>Per Foot</i>)
----	---------	---

—	1091063	Hazard Identification Decal
---	---------	-----------------------------

PART NUMBERS AND SCHEMATICS

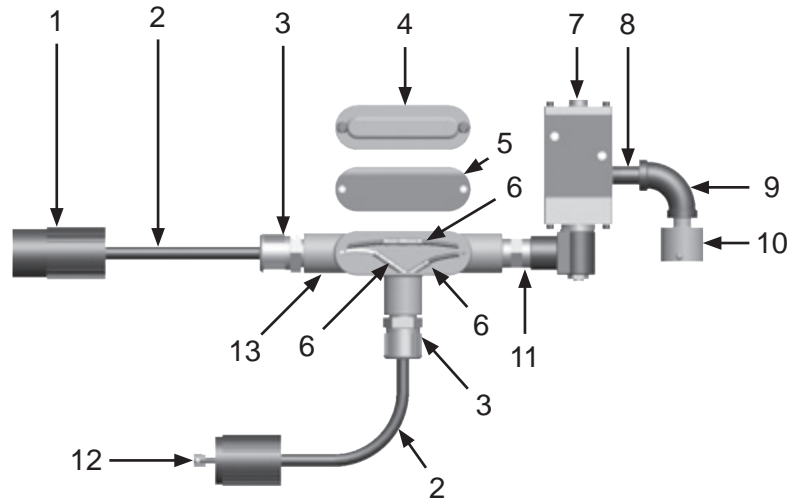
Figure 15b: Blastmaster® 120-Volt AC to 12-Volt AC Power Converter For Multiple Outlet Configurations



Item #	Part #	Description
Fig. 15b		
—	10100713	Blastmaster® 120-Volt AC to 12-Volt AC Power Converter – For Multiple Outlet Configurations
1	1030123	3 Amp Fuse
2	1030023	In-Line Fuse Holder
3	1030022	Transformer – Blastmaster® 120-Volt AC to 12-Volt AC Power Converter
4	1091067	Power-Out Decal (<i>Not Shown</i>)
5	1030013	14/2 SEOW Power Cord (<i>Per Foot</i>)
6	1030025	Strain Relief (<i>Two Required</i>)
7	1030021	Resistor
8	1030026	3-Prong, 120-Volt AC Plug – Male
9	1092014	Power-In Decal (<i>Not Shown</i>)
10	1015550	14/3 SEOW Electrical Cord (<i>Per Foot</i>)
—	1091063	Hazard Identification Decal

PART NUMBERS AND SCHEMATICS

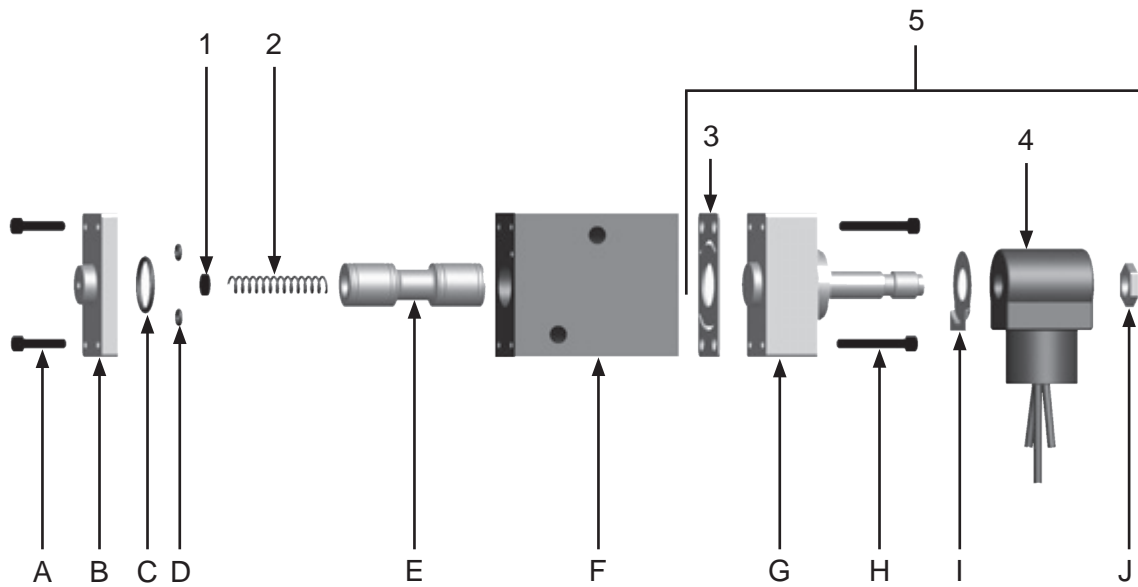
Figure 16: 12-Volt DC 190 Electric Control Assembly



Item #	Part #	Description
Fig. 16		
—	1019051	12-Volt DC 190 Electric Control Assembly – Complete
1	1015556	3-Prong Twist-Lock Plug – Female
2	1015540	16/2 Power Cord (Per Foot)
3	1019021	Cord Grip (<i>Two Required</i>)
4	1019022	Conduit Box Cover
5	1019023	Conduit Box Cover Gasket
6	1030028	Butt Splicer (<i>Four Required</i>)
7	1019010	12-Volt DC Electric Solenoid – Complete
8	1011217	1/4" x 2" Pipe Nipple
9	1011832	1/4" NPT 90° Pipe Nipple
10	10DE025	Dust Eliminator
11	20100677	1/2" x 1/2" NPT Hex Nipple
12	1015555	3-Prong Twist-Lock Plug – Male
13	1019020	1/2" Tee Conduit Box

PART NUMBERS AND SCHEMATICS

Figure 17: 12-Volt DC 190 Electric Solenoid



Item #	Part #	Description
--------	--------	-------------

Fig. 17

—	1019010	12-Volt DC 190 Electric Solenoid — Normally-closed — Complete
---	----------------	--

1	1019029	Felt Filter
---	---------	-------------

2	1019032	Spring
---	---------	--------

3	1019033	Gasket
---	---------	--------

4	1019039	12-Volt DC Coil
---	---------	-----------------

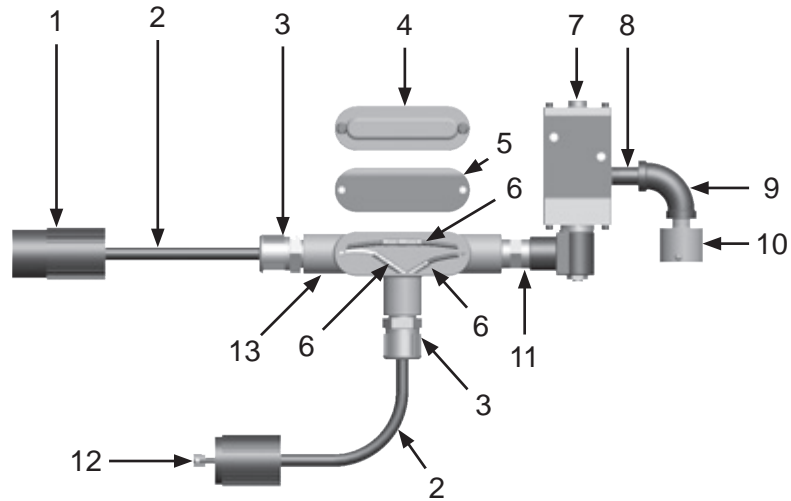
5	1019034	12-Volt DC Operator Assembly (Includes Items: #3, #4, G, H, I, and J)
---	---------	--

—	1019030	Electric Solenoid Repair Kit (Includes Items: #1, #2, #3, C, D, and E)
---	---------	---

* Items A–J are not available individually

PART NUMBERS AND SCHEMATICS

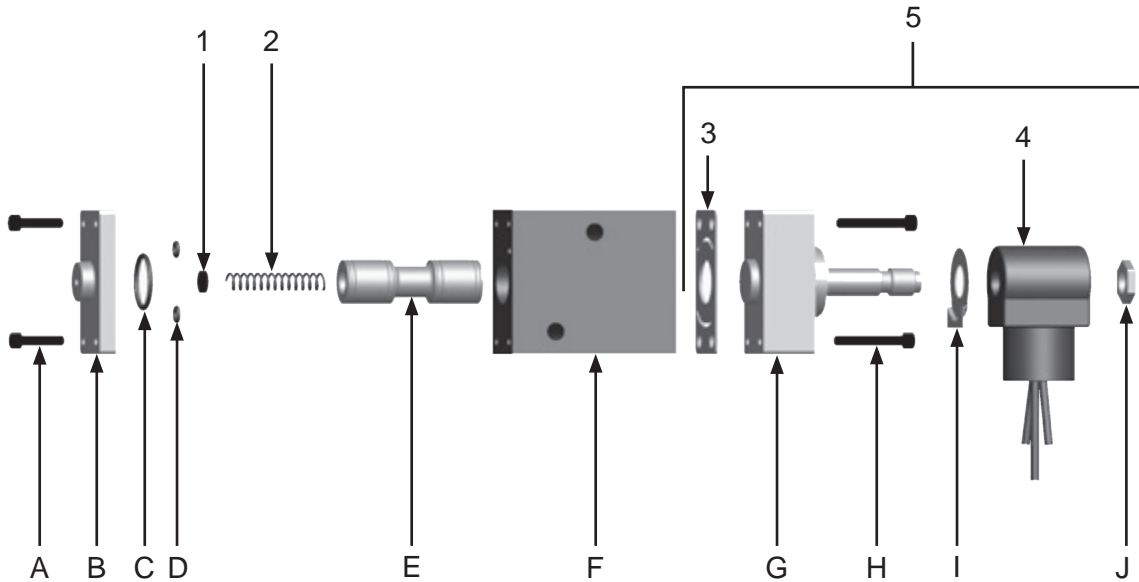
Figure 18: 12-Volt AC 190 Electric Control Assembly



Item #	Part #	Description
Fig. 18		
—	1019052	12-Volt AC 190 Electric Control Assembly – Complete
1	1015556	3-Prong Twist-Lock Plug – Female
2	1015540	16/2 Power Cord (Per Foot)
3	1019021	Cord Grip (<i>Two Required</i>)
4	1019022	Conduit Box Cover
5	1019023	Conduit Box Cover Gasket
6	1030028	Butt Splicer (<i>Four Required</i>)
7	1019011	12-Volt AC Electric Solenoid – Complete
8	1011217	1/4" x 2" Pipe Nipple
9	1011832	1/4" NPT 90° Pipe Nipple
10	10DE025	Dust Eliminator
11	20100677	1/2" x 1/2" NPT Hex Nipple
12	1015555	3-Prong Twist-Lock Plug – Male
13	1019020	1/2" Tee Conduit Box

PART NUMBERS AND SCHEMATICS

Figure 19: 12-Volt AC 190 Electric Solenoid

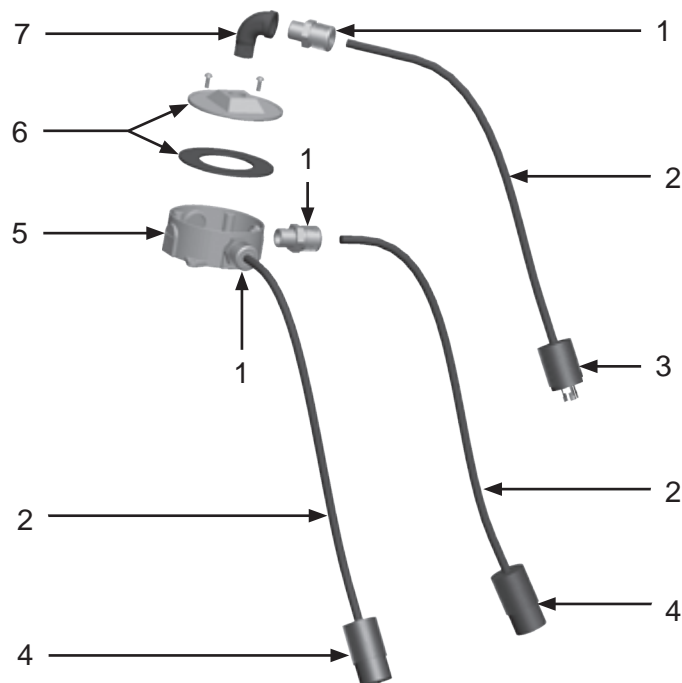
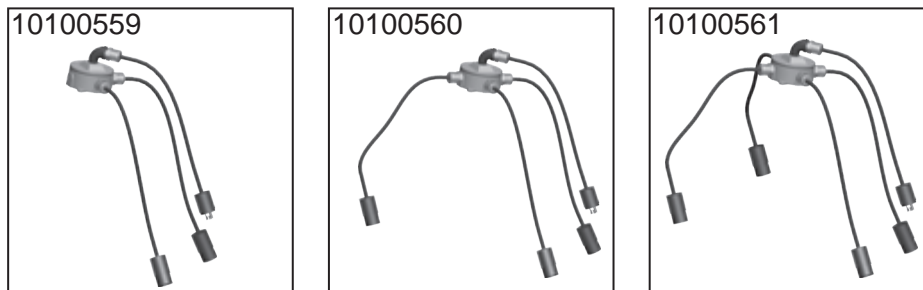


Item #	Part #	Description
Fig. 19		
—	1019011	12-Volt AC 190 Electric Solenoid – Complete
1	1019029	Felt Filter
2	1019032	Spring
3	1019033	Gasket
4	1019040	12-Volt AC Coil
5	1019035	12-Volt AC Electric Operator Assembly (Includes Items: #3, #4, G, H, I, and J)
—	1019030	12-Volt AC Electric Solenoid Repair Kit (Includes Items: #1, #2, #3, C, D, and E)
* Items A–J are not available individually		

PART NUMBERS AND SCHEMATICS

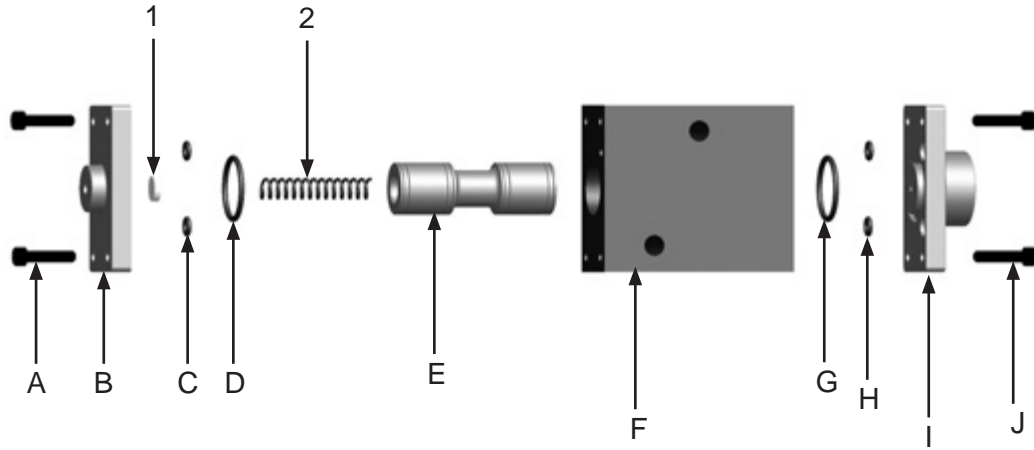
Power Distribution Boxes

Item #	Part #	Description
Fig. 20		
—	10100559	2-Outlet Power Distribution Box
—	10100560	3-Outlet Power Distribution Box
—	10100561	4-Outlet Power Distribution Box
1	1019021	Cord Grip (One Required per Outlet)
2	1015540	16/2 Electric Cord (Sold per Foot)
3	1015555	3-Prong Male Twist-Lock Plug
4	1015556	3-Prong Female Twist-Lock Plug (One Required per Outlet)
5	10100495	5-Outlet Conduit Box
6	10100496	Conduit Box Cover (Includes: Gasket and Screws)
7	1011819	1/2" Street Elbow
—	1030028	Butt Splicer (Not Shown)
—	10100562	Inline Fuse Block (Not Shown)
—	10100563	5-Amp Inline Fuse (Not Shown)



PART NUMBERS AND SCHEMATICS

Figure 21: 190 Pneumatic Solenoid



Item #	Part #	Description
--------	--------	-------------

Fig. 21

—	1019000	190 Pneumatic Solenoid Normally—Closed — Complete
---	----------------	--

1	1019029	Felt Filter
---	---------	-------------

2	1019032	Spring
---	---------	--------

3	1019027	Pneumatic Solenoid Operator Assembly <i>(Includes Items: G, H, I, and J)</i>
---	---------	---

4	1019028	Pneumatic Solenoid Repair Kit <i>(Includes Items: #1, #2, C, D, E, G, and H)</i>
---	---------	---

** Items A–J are not available individually*

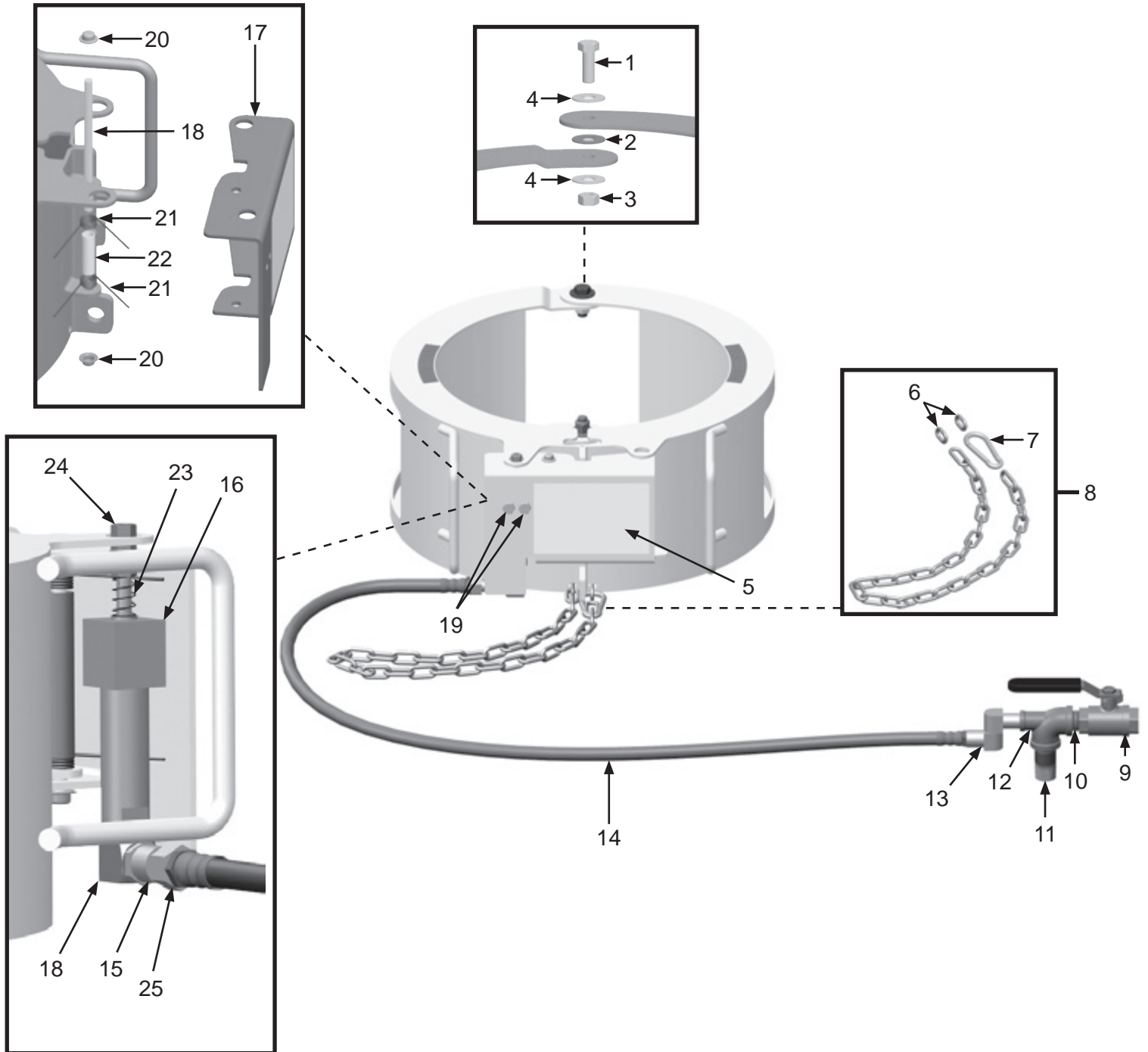
PART NUMBERS AND SCHEMATICS

Blastmaster® Camlock Closure Lockout Device

Item#	Part#	Description
Fig. 22		
—	10102326	Blastmaster® Camlock Closure Lockout Device – Complete
1	1011747	3/8-16 x 1" Bolt <i>(Two Required)</i>
2	1012064	3/8" Nylon Washer <i>(Two Required)</i>
3	20100138	3/8-16 Lock Nut <i>(Two Required)</i>
4	10102331	3/8" Washer <i>(Four Required)</i>
5	1091106	Hazard Identification Decal
6	10102338	Split Link <i>(Two Required)</i>
7	10102410	Carabiner
8	10102419	Chain Assembly <i>Includes Items: #6 (Quantity of Two), #7, and Chain</i>
9	10L363	1/2" NPT Brass Full Port Ball Valve
10	10L803035	1/2" NPT Close Nipple
11	10L803038	1/2" NPT x 2" Pipe Nipple
12	10102337	1/2" NPT 90° Elbow with 1/4" NPT Side-out
13	10102576	1/4" Swivel Connector
14	10102336	1/4" I.D. Air Hose Assembly
15	10102575	1/4" (M) x 1/4" (F) Swivel Hose End
16	10102333	Bimba Cylinder For Hatch Lock
17	10102320	Latch Handle <i>Includes Item #5</i>
18	10106786	1/8" (M) X 1/4" (F) Street Elbow
19	10102391	1/4-20 x 1/2" Bolt <i>(Two Required)</i>
20	10102325	1/4" Cap Nut <i>(Two Required)</i>
21	10102324	Torsion Spring <i>(Two Required)</i>
22	10103294	2-3/4" x 3/8" I.D. PEX Spacer
23	10102411	Spring
24	10102387	1/4-28 Coupling Nut - Zinc
25	1017023	Male Hose Barb
—	106M095	Part Numbers & Schematics Guide – Blastmaster® Pneumatic Closure Lockout Device
—	1090095	Operators Manual – Blastmaster® Pneumatic Closure Lockout Device

PART NUMBERS AND SCHEMATICS

Figure 22: Blastmaster® Camlock Closure Lockout Device



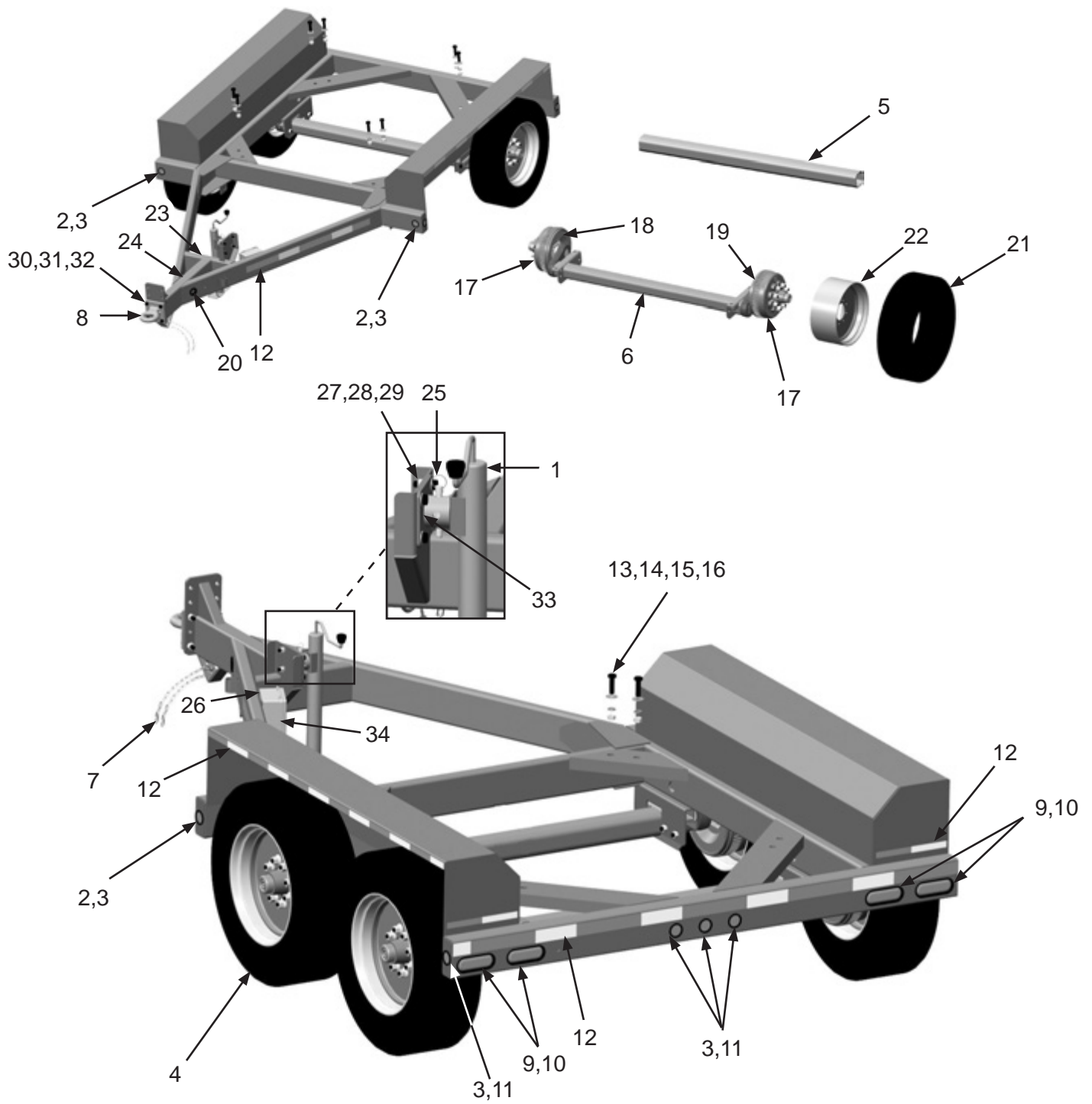
PART NUMBERS AND SCHEMATICS

Highway Trailer

Item #	Part #	Description
Fig. 23		
—	10104122	Highway Trailer
1	10104141	7,000 LB, Square, Top Wind Jack
	10100482	5,000 LB, Round, Top Wind Jack
2	10104087	2" Round LED Amber Clearance Light <i>(Four Required)</i>
3	10104088	2" Round Rubber Grommet <i>(Nine Required)</i>
4	10104143	215/75R17.5 16-Ply Tire with 17.5" 8-Hole Mod Rim <i>(Four Required)</i>
5	10104140	Axle Beam/Tube For Highway Or Yard, No Hubs or Springs <i>(Two Required)</i>
6	10104138	8,000 # Axle With Electric Brakes, With Hubs And Springs 77.5" HF x 60" OB <i>(Two Required)</i>
7	10104769	3/8" x 41" Safety Chain with Hook
8	10104079	Pintle Hitch with Flat Plate
9	10104085	Oval Rubber Grommet <i>(Four Required)</i>
10	10104084	Oval LED Red Tail Light <i>(Four Required)</i>
11	10104086	2" Round LED Red Clearance Light <i>(Five Required)</i>
12	10103879	2" x 6" x 6" Red/White Conspicuity Tape
13	10100701	3/4-10 x 2-1/2" Bolt <i>(Two Required per Leg)</i>
14	10100704	3/4" Flat Washer <i>(Four Required per Leg)</i>
15	10100596	3/4" Lock Washer <i>(Two Required per Leg)</i>
16	10100595	3/4" Nut <i>(Two Required per Leg)</i>
17	10105734	Axle Hub Only - No Bearings or Seal <i>(Four Required)</i>
18	10105738	Left-Hand Electric Brake Assembly <i>(Two Required)</i>
19	10105739	Right-Hand Electric Brake Assembly <i>(Two Required)</i>
20	10105825	Electrical Break Away Grommet
21	10105735	Hercules Lt215/75R17.5 16-Ply Tire Only <i>(Four Required)</i>
22	10105736	17.5" 8-Hole Rim - No Tire <i>(Four Required)</i>
23	1091053	Lug Nut Torque Value Warning Decal
24	1091145	Hazard Identification Decal <i>(Highway Trailer)</i>
25	10104709	1/2 x 3-1/2" Pin
26	10104081	Breakaway Kit
27	10105874	1/2-13 x 1-1/2" Gr 5 Bolt <i>(Four Required)</i>
28	20100124	1/2-13 Nylon Lock Nut <i>(Four Required)</i>
29	10100674	1/2" Flat Washer <i>(Eight Required)</i>
30	10105746	5/8 x 2-1/2" Gr 8 Bolt <i>(Four Required)</i>
31	10105747	5/8 Reverse Lock Nut <i>(Four Required)</i>
32	10103398	5/8" Flat Washer <i>(Four Required)</i>
33	10105876	Jack Plate with Four Holes
34	10105826	Redline 12V - 5AH Battery Sealed
—	10104142	Wire Harness - Complete <i>(Front, Middle & Rear)</i>
—	10105783	Breakaway Switch with LED
—	10105784	Replacement Pin and Cable for 10105783

PART NUMBERS AND SCHEMATICS

Figure 23: Highway Trailer



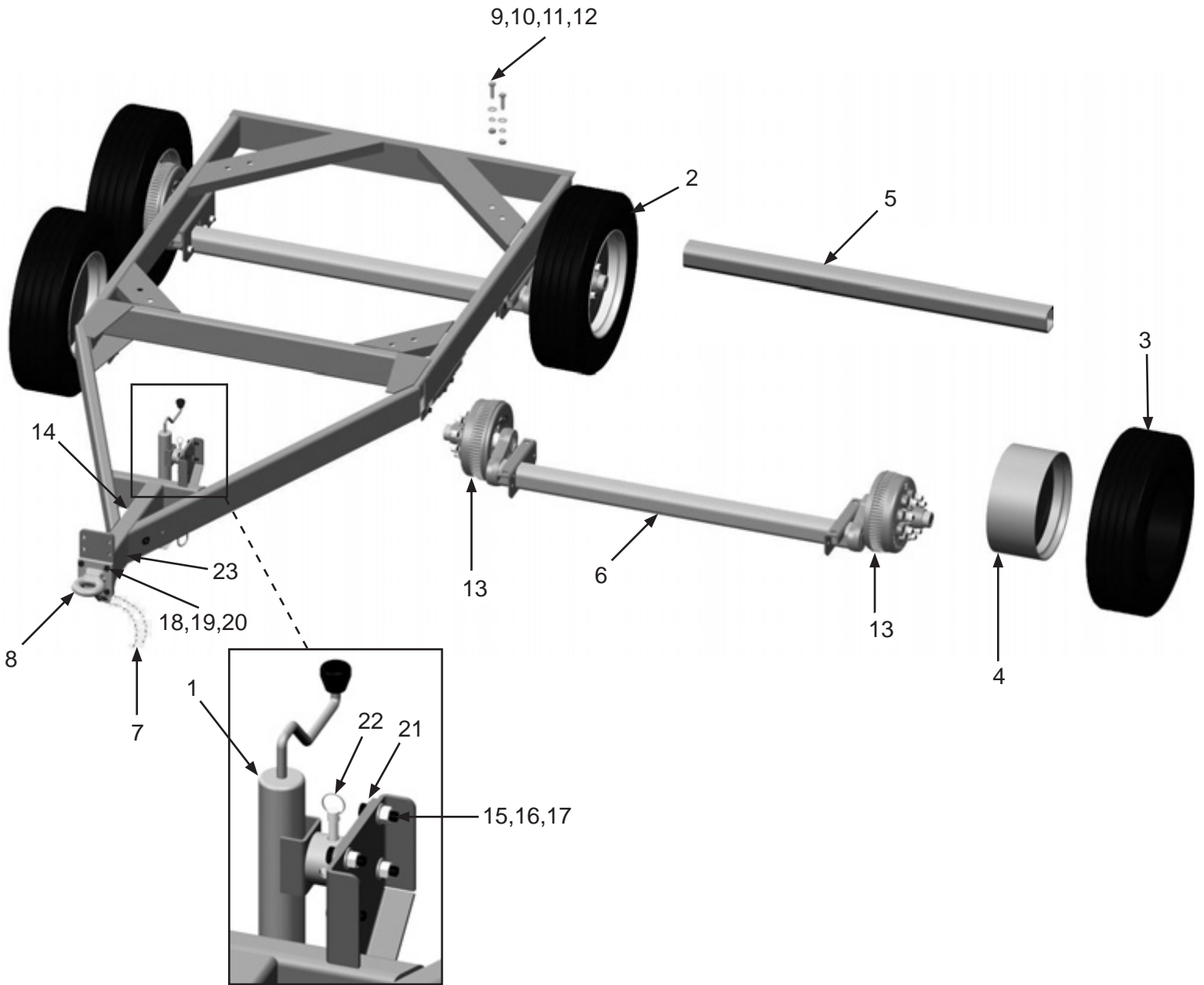
PART NUMBERS AND SCHEMATICS

Yard Trailer

Item #	Part #	Description
Fig. 24		
—	10104121	Yard Trailer
1	10104141	7,000 LB, Square, Top Wind Jack
	10100482	5,000 LB, Round, Top Wind Jack
2	10104143	215/75R17.5 16-Ply Tire with 17.5" 8-Hole Mod Rim <i>(Four Required)</i>
3	10105735	Hercules Lt215/75R17.5 16-Ply Tire Only <i>(Four Required)</i>
4	10105736	17.5" 8-Hole Rim - No Tire <i>(Four Required)</i>
5	10104140	Axle Beam/Tube For Highway or Yard, No Hubs or Springs <i>(Two Required)</i>
6	10104138	8,000 # Torflex Axle, Complete With Hubs And Springs 77.5" HF x 60" OB <i>(For Yard Config.) (Two Required)</i>
7	10104769	3/8" x 41" Safety Chain with Hook
8	10104079	Pintle Hitch with Flat Plate
9	10100701	3/4-10 x 2-1/2" Bolt <i>(Two Required per Leg)</i>
10	10100704	3/4" Flat Washer <i>(Four Required per Leg)</i>
11	10100596	3/4" Lock Washer <i>(Two Required per Leg)</i>
12	10100595	3/4" Nut <i>(Two Required per Leg)</i>
13	10105734	Axle Hub Only – No Bearings or Seal <i>(Four Required)</i>
14	1091146	Hazard Identification Decal <i>(Yard Trailer)</i>
15	10105874	1/2-13 x 1-1/2" Gr 5 Bolt <i>(Four Required)</i>
16	20100124	1/2-13 Nylon Lock Nut <i>(Four Required)</i>
17	10100674	1/2" Flat Washer <i>(Eight Required)</i>
18	10105746	5/8 x 2-1/2" Gr 8 Bolt <i>(Four Required)</i>
19	10105747	5/8 Reverse Lock Nut <i>(Four Required)</i>
20	10103398	5/8" Flat Washer <i>(Four Required)</i>
21	10105876	Jack Plate with Four Holes
22	10104709	1/2 x 3-1/2" Pin
23	1091053	Lug Nut Torque Value Warning Decal

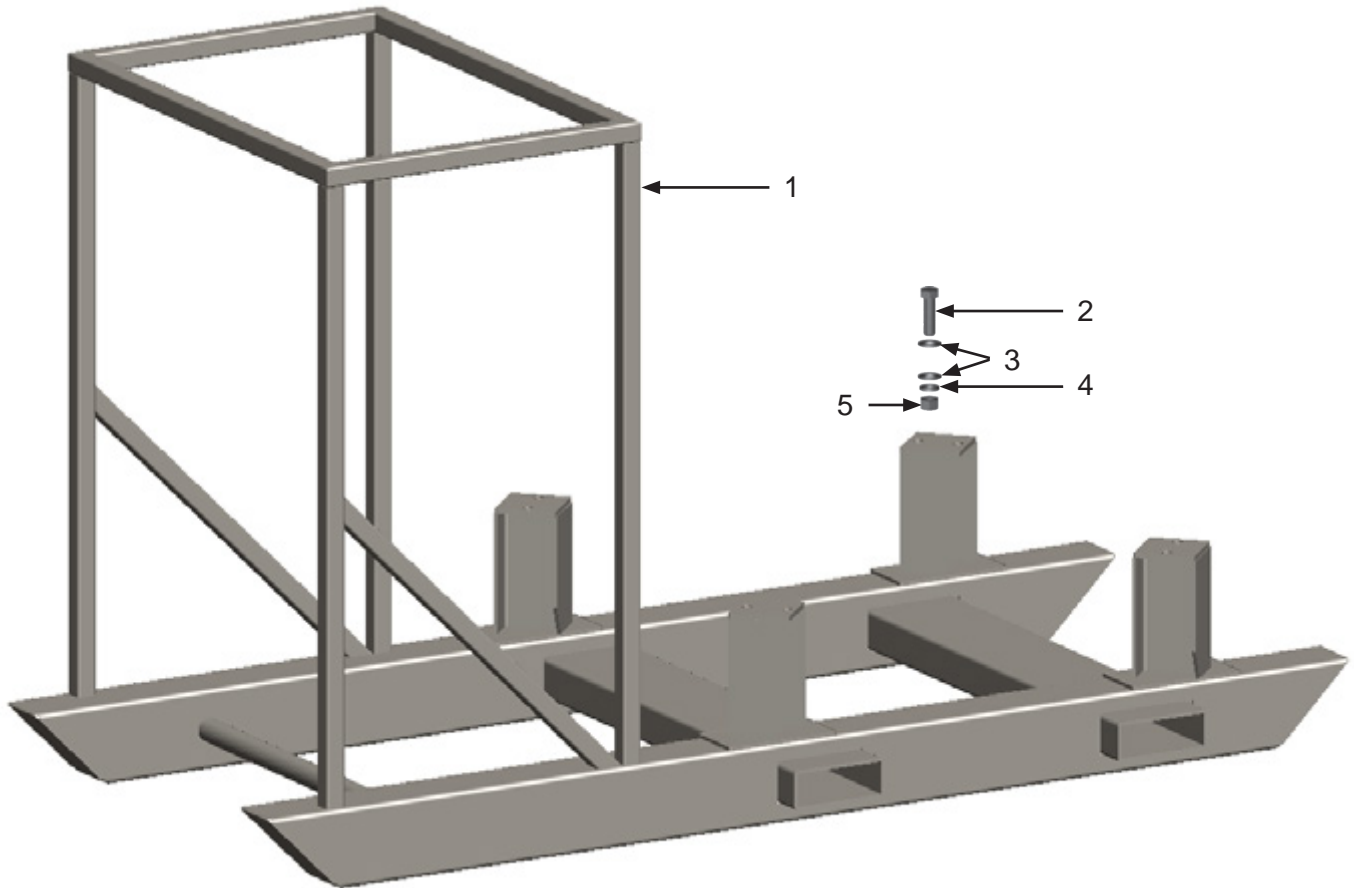
PART NUMBERS AND SCHEMATICS

Figure 24: Yard Trailer



PART NUMBERS AND SCHEMATICS

Figure 25: Fork-Pocket Skid Weldment Off Shore



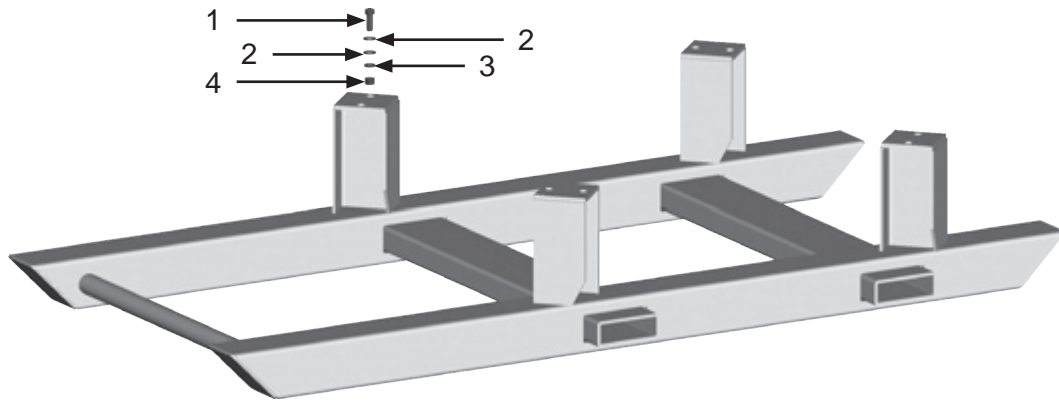
Item #	Part #	Description
--------	--------	-------------

Fig. 25

1	10101828	Fork-Pocket Skid Weldment Off Shore
2	10100701	3/4-10 x 2-1/2" Bolt (<i>Eight Required</i>)
3	10100704	3/4" Flat Washer (<i>16 Required</i>)
4	10100596	3/4" Lock Washer (<i>Eight Required</i>)
5	10100595	3/4" Nut (<i>Eight Required</i>)

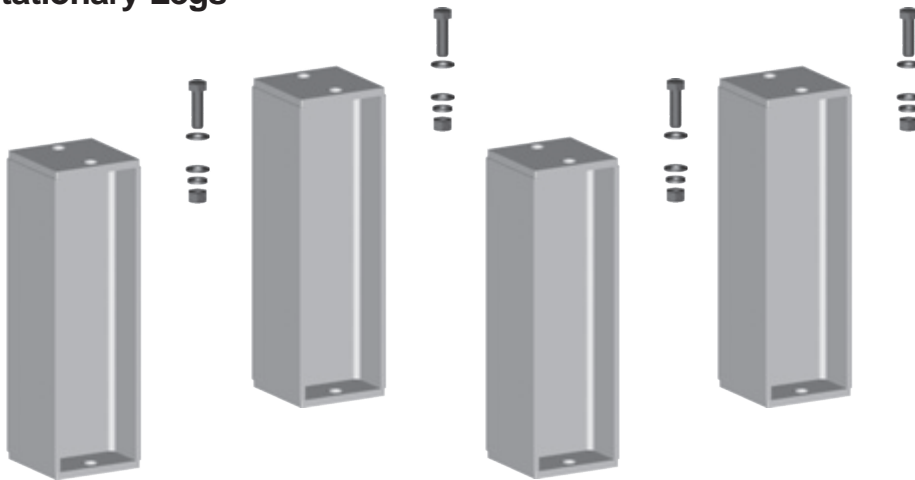
PART NUMBERS AND SCHEMATICS

Figure 26: Fork-Pocket Skid



Item #	Part #	Description
Fig. 26		
—	10100852	Fork-Pocket Skid
1	10100701	3/4-10 x 2-1/2" Bolt (<i>Eight Required</i>)
2	10100704	3/4" Flat Washer (<i>16 Required</i>)
3	10100596	3/4" Lock Washer (<i>Eight Required</i>)
4	10100595	3/4" Nut (<i>Eight Required</i>)

Figure 27: Stationary Legs



Item #	Part #	Description
Fig. 27		
—	1081660	Stationary Legs and Mounting Kit – Complete Set of Four <i>Includes item #s: 1 (Quantity of Four), 2 (Quantity of Eight), 3 (Quantity of 16), 4 (Quantity of Eight), 5 (Quantity of Eight)</i>
1	10000514	Stationary Leg (<i>Four Required</i>)
2	10100701	3/4-10 x 2-1/2" Bolt (<i>Two Required per Leg</i>)
3	10100704	3/4" Flat Washer (<i>Four Required per Leg</i>)
4	10100596	3/4" Lock Washer (<i>Two Required per Leg</i>)
5	10100595	3/4" Nut (<i>Two Required per Leg</i>)

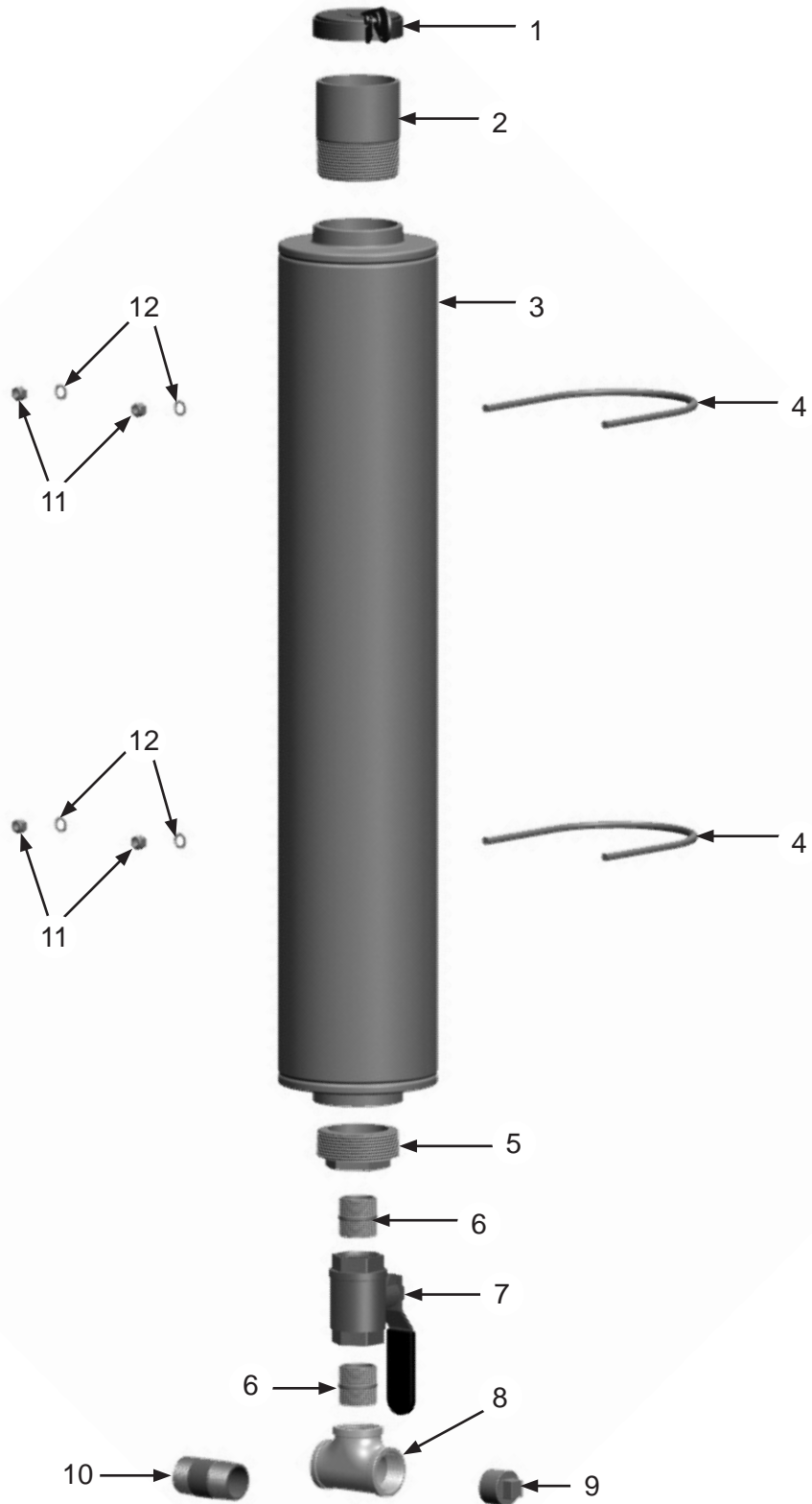
PART NUMBERS AND SCHEMATICS

Blastmaster® Large Exhaust Muffler

Item #	Part #	Description
Fig. 28		
1	10103583	3-1/2" Rain Cap - Painted Gray
2	10105208	3"NPT x 4" Toe Nipple - Galvanized
3	10103575	Absorptive Silencer U5-3 Universal
4	1070967	U-BOLT 3/8-16 x 6-3/4" R x 8-3/8" (<i>Two Required</i>)
5	10105045	3" x 1-1/4" Hex Bushing Galvanized
6	10101750	1-1/4" NPT Galvanized Close Nipple (<i>Two Required</i>)
7	1011602	1-1/4" Full Port Ball Valve
8	1011803	1-1/4" NPT Galvanized Pipe Tee
9	1011902	1-1/4" NPT Galvanized Pipe Plug
10	10107274	1-1/4" x 4" Nipple - Galvanized SCH 80
11	20100138	3/8"-16 Hex Lock Nut Zinc
12	1014241	3/8" Id x 3/4" Od Washer

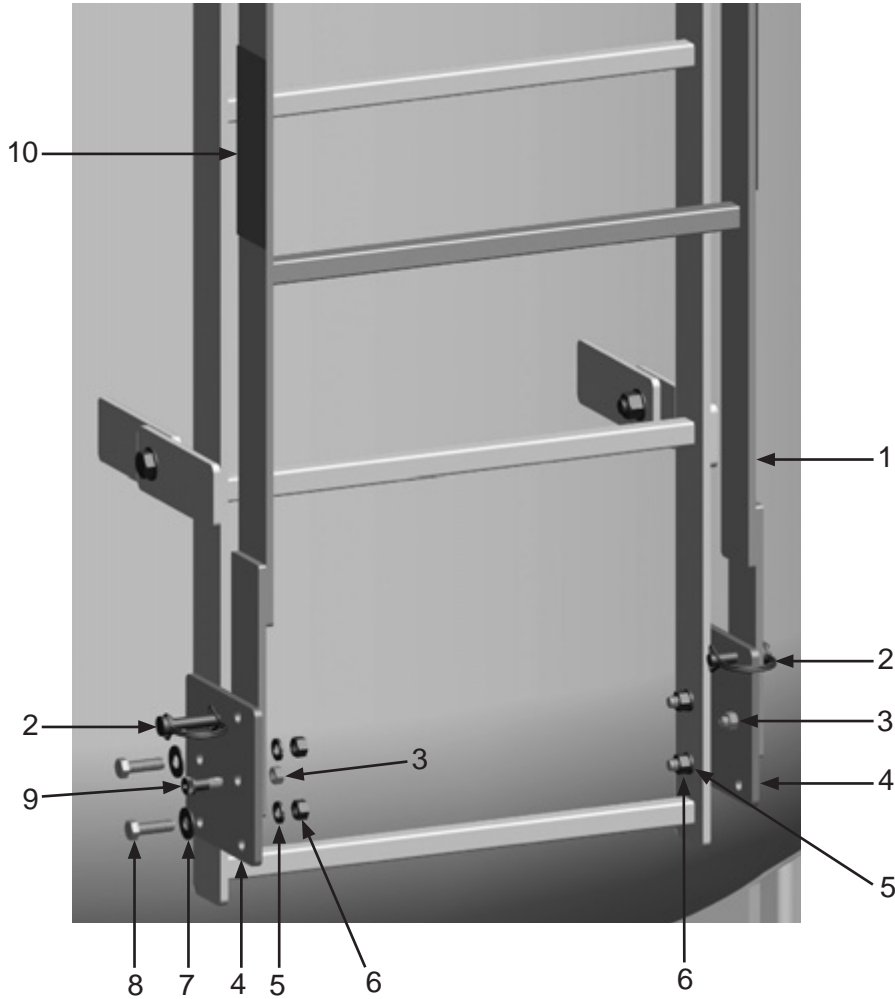
PART NUMBERS AND SCHEMATICS

Figure 28: Blastmaster® Large Exhaust Muffler



OPTIONAL ACCESSORIES

Figure 29: Hinged Ladder Extension (Optional)



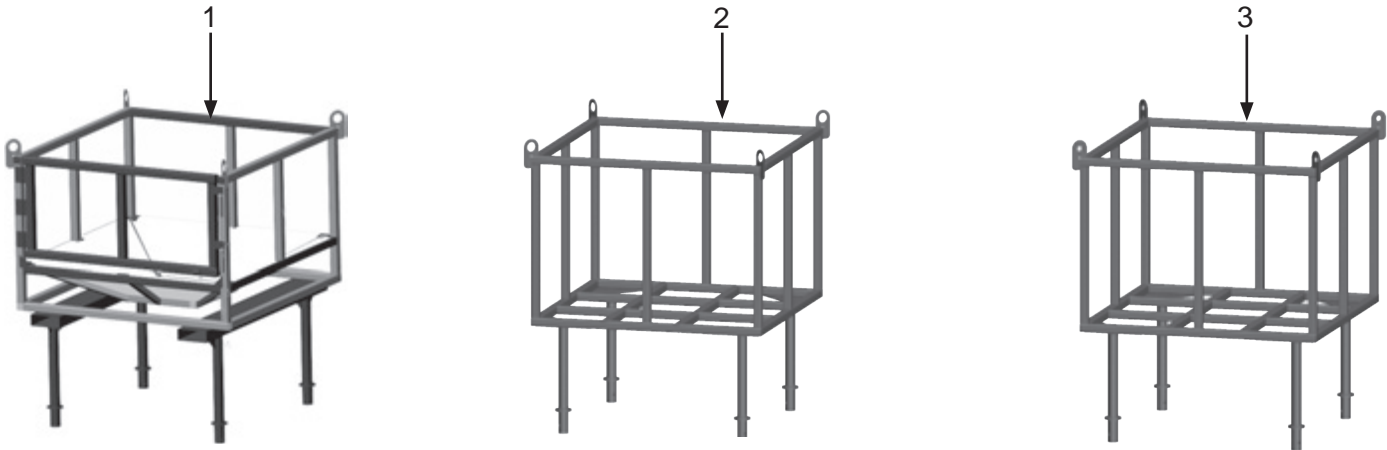
Item #	Part #	Description
--------	--------	-------------

Fig. 29

—	10103727	Hinged Ladder Extension – Complete <i>(Optional)</i> <i>Includes Two Ladder Extension Kits</i>
1	10103915	Ladder Extension Body <i>(Two Required)</i> <i>Includes Item #10</i>
2	10103728	3/8" D-Locking Pin <i>(Four Required)</i>
3	10103730	5/16-18 Hex Nut <i>(Four Required)</i>
4	10103509	Ladder Extension Bracket <i>(Four Required)</i>
5	10101936	3/8" Lock Washer <i>(Eight Required)</i>
6	10101938	3/8-16 Hex Nut <i>(Eight Required)</i>
7	10101942	3/8" Flat Washer <i>(Eight Required)</i>
8	10101059	3/8-16 x 1-1/4" Bolt <i>(Eight Required)</i>
9	10103729	3/8" Shoulder Bolt <i>(Four Required)</i>
10	10103881	2" Red Conspicuity Tape <i>(Sold per inch. 12 Inches required per Ladder)</i>

OPTIONAL ACCESSORIES

Figure 30: Blastmaster® Bulk Bag Racks (Optional)

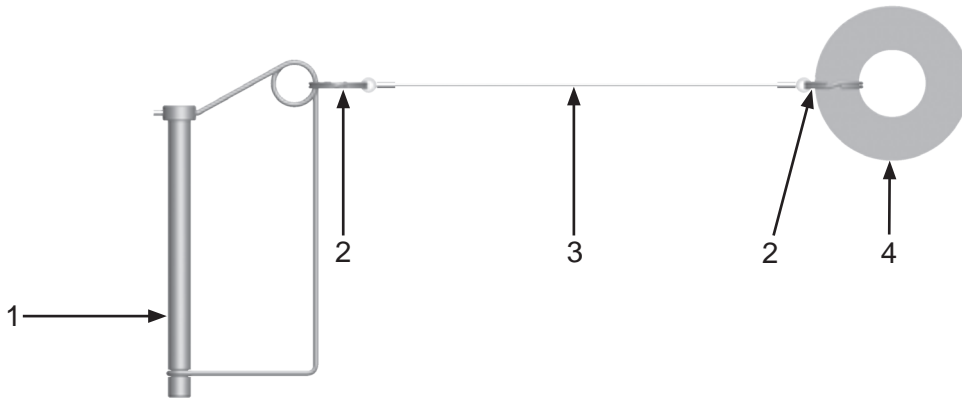


Item #	Part #	Description
--------	--------	-------------

Fig. 30

1	10104768	Blastmaster® Heavy-Duty Bulk Bag Rack with Swing Gate, Tapered Support Panels <i>Includes Locking Pin Assembly</i>
2	10102133	Bulk Bag Rack with Grid Support, 2.25" I.D. Lifting Eye
3	10103271	Bulk Bag Rack with Grid Support, .704" I.D. Lifting Eye
—	10107105	20' Rope (<i>Not Shown</i>)

Figure 31: Blastmaster® Bulk Bag Rack Locking Pin



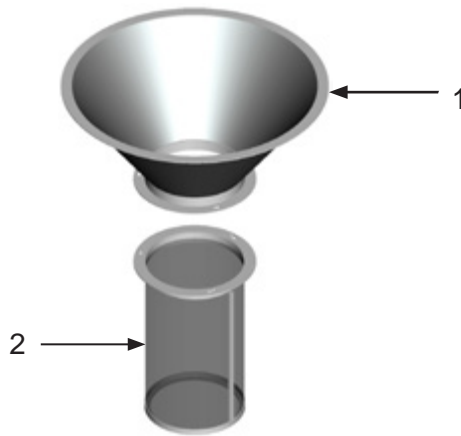
Item #	Part #	Description
--------	--------	-------------

Fig. 31

—	10103386	Locking Pin Assembly – Complete
1	10103387	3/8" x 4" Locking Pin
2	10103388	Split Ring (<i>Two Required</i>)
3	10103390	7" Lanyard with Eyelets
4	10103389	2-1/4" O.D. x 1-1/4" I.D. Flat Washer

OPTIONAL ACCESSORIES

Figure 32: Abrasive Screen and Funnel (Optional)



Item #	Part #	Description
--------	--------	-------------

Fig. 32

—	10101705	Abrasive Screen and Funnel for 10" Diameter Camlock Closure
1	10101817	Funnel
2	10101704	Abrasive Screen for 10" Diameter Camlock Closure

LITERATURE REFERENCES

Remote Control Switches

106M068	Part Numbers and Schematics Guide – Blastmaster® 152P Remote Control Switch
1090068	Operator's Manual – Blastmaster® 152P Remote Control Switch
106M063	Part Numbers and Schematics Guide – Blastmaster® 151E Remote Control Switch
1090063	Operator's Manual – Blastmaster® 151E Remote Control Switch

Abrasive Blasting Pot

106M060	Part Numbers and Schematics Guide – Blastmaster® 160 cu. ft. Abrasive Blasting Pots
1090060	Operator's Manual – Blastmaster® 160 cu. ft. Abrasive Blasting Pots
109S060	Service Manual – Blastmaster® 160 cu. ft. Abrasive Blasting Pots

CONTACT CENTER

- 3425 East Locust Street
Davenport, IA 52803

ph: 800.BLAST.IT (800.252.7848)

ph: 563.324.2519

fax: 563.324.6258

REGIONAL BRANCH OFFICES

- Iowa
Davenport
- Louisiana
Gonzales
Lafayette
- Ohio
Youngstown
- Texas
Beaumont
Corpus Christi
Deer Park



ABRASIVES

BLASTING

COATING

DUST COLLECTION

RENTAL & SERVICE

SAFETY

VACUUMS

40+ NATIONWIDE SHIPPING LOCATIONS



★ Marco Regional Branch Offices
and Shipping Locations

● Direct Shipping Locations

CONTACT MARCO

800.BLAST.IT
(800.252.7848)
563.324.2519
FAX: 563.324.6258

WWW.MARCO.US
SALES@MARCO.US