



# BLASTMASTER® 130P REMOTE CONTROL SYSTEM CONVERSION KITS



**BUILT MARCO TOUGH**  
MARCO MANUFACTURED

## PART NUMBERS AND SCHEMATICS GUIDE

## Company Profile

Since 1944, Marco has developed a strong tradition of providing innovative and reliable products and services to the surface preparation and protective coatings industries. We are the world's premier provider of Abrasives, Blasting Equipment, Coating Equipment, Engineered Systems, Rental Equipment, Safety Equipment, Service, and Repair.

Through innovative designs and a total commitment to quality, Marco manufactures products that increase production rates, create a safer workplace, and reduce maintenance costs. Marco's industry experience, manufacturing capabilities, legendary customer service, product availability, logistics services, and technology leadership is your assurance that we deliver high quality products and services, providing the best value to you, our customer.

## The Marco Difference

- **Industry Experience** – With Marco on your team, you have access to expertise which can only come from decades of industry leadership. We have organized our engineering department, production specialists, customer operations, and safety support into a "Center of Competence." As a Marco customer, you have access to hundreds of years of cumulative experience related to your operations.
- **Manufacturing Excellence** – Marco is a U.S. based, ISO 9001:2008 certified manufacturer of equipment for the Surface Preparation and Protective Coatings industries. Marco's engineers benchmark the industry to ensure that we design and manufacture superior products that set the "Gold Standard" for performance, safety, and quality.
- **Legendary Customer Service** – Marco's legendary customer service team is staffed by friendly, highly-trained individuals who are focused on providing the highest level of product support, order accuracy, and customer satisfaction.
- **Product Availability** – We stock over 10,000 SKU's and have over 45 shipping locations to serve North American and International markets for all major brands of blasting and painting equipment. As the largest provider of surface preparation and protective coatings equipment in the world, our inventory levels and product availability are unmatched.
- **Logistics Services** – Marco's in-house logistics team is dedicated to moving your shipment anywhere in the world. We move over 14,000 truckloads every year, allowing you to save on freight costs by leveraging our buying power. Lower your process costs with a single invoice, which includes product and freight.
- **Technology Leadership** – Our website provides: Operator's Manuals, Part Numbers and Schematics Guides, MSDS information, and Features, Advantages, and Benefits Guides, providing access to information 24/7. Our Extranet application allows you to receive quotes and place orders online. Our Intranet maintains a complete record of your purchase history to assist with ongoing support of your existing equipment and future purchasing decisions.

## Vision Statement

Marco is the world's premier provider of Abrasives, Blasting Equipment, Coating Equipment, Engineered Systems, Rental Equipment, Safety Equipment, Service, and Repair.

## Mission Statement

Marco provides strong leadership and innovation to the surface preparation and protective coatings industries. We dedicate our efforts to the continuous improvement of our products, services, processes, people, and most importantly, the quality of our customer's experience.

## Quality Policy

Marco is committed to providing superior quality in the design, manufacturing, distribution, rental, service, and repair of our products. Our ISO 9001:2008 certification extends throughout all operations in all locations. Continuous improvement of our processes and supply chain Integration comprise the core of our business strategy for delivering exceptional quality and value in all Marco products and services.

## Management Philosophy

We are a company dedicated to the success of every customer and associate. We discuss, debate, challenge, measure, and test our ideas. We will be boundless and limitless in our passion to improve. Through sound leadership and dedicated associates, we will ensure a long term, profitable future for Marco, our associates, customers, and suppliers.

# TABLE OF CONTENTS

<b>Company Profile</b> .....	<b>2</b>
<b>Table of Contents</b> .....	<b>3</b>
<b>Pneumatic Conversion Kits</b> .....	<b>4-15</b>
3.5 Cu. Ft. and Smaller .....	4-5
Part Numbers and Schematics.....	6-7
6.5 Cu. Ft. ....	8-9
Part Numbers and Schematics.....	10-11
120 Cu. Ft. and Larger .....	12-13
Part Numbers and Schematics.....	14-15
<b>Optional Accessories</b> .....	<b>16-18</b>
<b>Literature References</b> .....	<b>19</b>

## PART NUMBERS AND SCHEMATICS GUIDE

### PNEUMATIC REMOTE CONTROL SYSTEM KITS – 3.5 CU. FT. AND SMALLER

Part Numbers	Blastmaster® 1-1/2" Maxum III Abrasive Metering Valve		GateKeeper Air Valve	Blastmaster® 152P Remote Control Switch	Twinline	Pusher Line Assembly	Abrasive Blasting Pot Muffler
	Urethane	Tungsten Carbide					
10105506	X		1-1/2"	X	50 Ft.	X	X
10105507		X	1-1/2"	X	50 Ft.	X	X

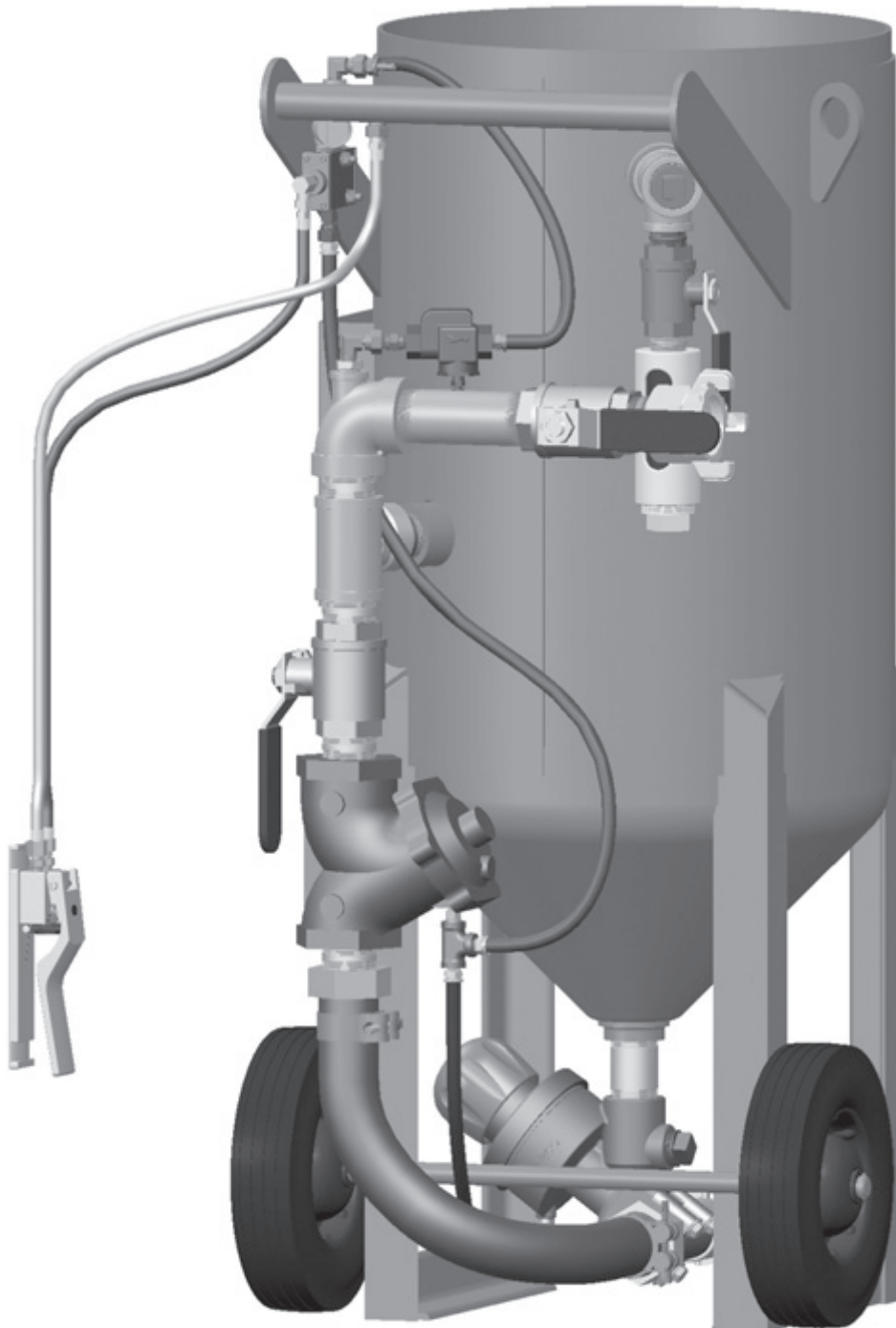
For converting bare pot to pneumatic remote control system.

This system is for a single outlet.

Includes: Blastmaster® Maxum III Abrasive Metering Valve, 1-1/2" GateKeeper, Blastmaster® 152P Remote Control Switch, Twinline, 1-1/2" I.D. Air Hose Pusher Line, and various pipe fittings

*Note that due to the wide variety of blast pots you may need to purchase additional fittings, bushing, etc.*

## PART NUMBERS AND SCHEMATICS GUIDE



## PART NUMBERS AND SCHEMATICS GUIDE

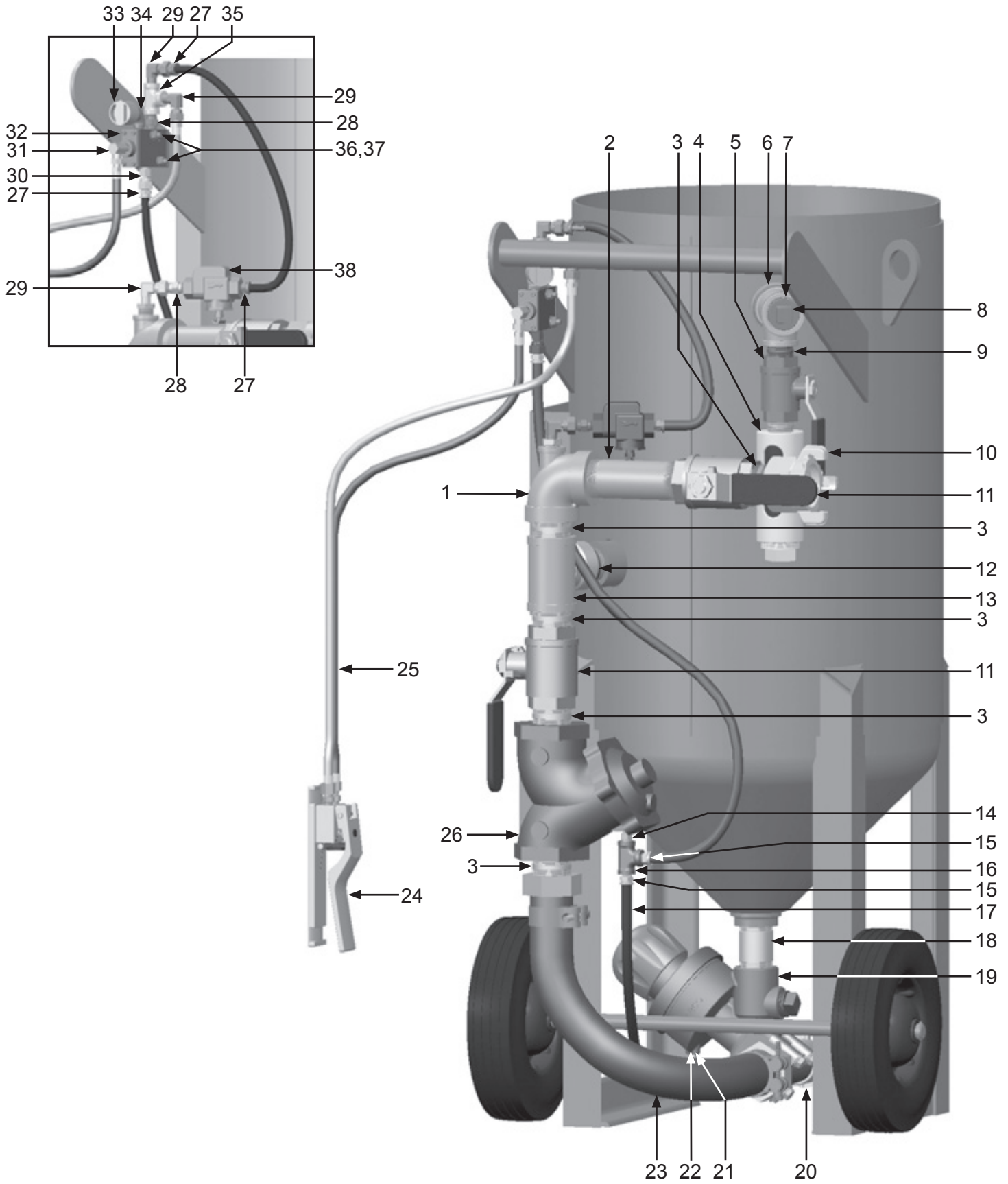
### Pneumatic Conversion Kit – 3.5 Cu. Ft. and Smaller

Item #	Part #	Description
<b>Fig. 1</b>		
—	<b>10105506</b>	<b>Pneumatic Conversion Kit – 3.5 Cu. Ft. and Smaller (Urethane)</b>
—	<b>10105507</b>	<b>Pneumatic Conversion Kit – 3.5 Cu. Ft. and Smaller (Tungsten Carbide)</b>
1	1011828	1-1/2" NPT Elbow with 1/2" Side-Out
2	1011211	1-1/2" x 5-1/2" NPT Pipe Nipple
3	1014015	1-1/2" NPT Close Nipple <i>(Five Required)</i>
4	1011100	Exhaust Muffler
5	1011601	1" NPT Full Port Brass Ball Valve
6	1011201	1-1/4" NPT Close Nipple
7	1011817	1-1/4" x 1-1/4" x 1" NPT Pipe Tee
8	1011902	1-1/4" NPT Pipe Plug
9	1012151	1" NPT Close Nipple
10	10ME4	1-1/2" NPT (F) 4-Lug Air Hose Fitting
11	1011603	1-1/2" NPT Full Port Brass Ball Valve <i>(Two Required)</i>
12	1011204	1-1/4" x 3" NPT Pipe Nipple
13	1011836	1-1/2" x 1-1/2" x 1-1/4" NPT Pipe Tee
14	10PVFIT1	1/4" x 1/8" Hex Union
15	10PAF025	1/4" Push-On Hose Fitting <i>(Three Required)</i>
16	1011844	1/4" NPT Pipe Tee <i>(Two Required)</i>
17	10AH025	1/4" Push-On Air Hose
18	1011813	1-1/4" x 2" NPT Pipe Nipple
19	10101950	1-1/2" Maxum III Abrasive Metering Valve – Tungsten Carbide Sleeve <i>(For use with 10105507)</i>
—	10101946	1-1/2" Maxum III Abrasive Metering Valve – Urethane Sleeve <i>(For use with 10105506)</i>
20	10SB2S	1-1/2" Brass Tank Coupling
21	10PAF0125	1/8" Push-On Air Hose Fitting
22	1014239	1/8" 90° Swivel Fitting <i>(Two Required)</i>
23	1006312	1-1/2" I.D. Air Hose Pusher Line Assembly <i>(See Fig. 4)</i>
24	1015200	Blastmaster® 152P Remote Control Switch
25	1016000	55 ft. of Pneumatic Control Twinline with 1/4" & 1/8" Male and Female Fittings
26	1013200	1-1/2" GateKeeper Air Valve
27	10PAF025	1/4" Push-On Hose Fitting <i>(Three Required)</i>
28	1017019	1/4" x 1/4" Hex Nipple <i>(Two Required)</i>
29	1012326	1/4" Swivel 90° Fitting <i>(Three Required)</i>
30	10SME025	1/4" Straight Swivel
31	1014239	1/8" 90° Swivel Fitting <i>(Two Required)</i>
32	1019000	190 Pneumatic Solenoid
33	10DE025	1/4" NPT Dust Eliminator
34	1011824	1/4" Street Elbow
35	1011844	1/4" NPT Pipe Tee
36	10PVFIT1	1/4" x 1/8" Hex Union
37	1019044	1/4-20 x 1-3/4" Zinc Bolt <i>(Two Required)</i>
38	10WS	Watts Strainer

See page 19 for product literature

# PART NUMBERS AND SCHEMATICS GUIDE

Figure 1: Pneumatic Conversion Kit – 3.5 Cu. Ft. and Smaller



## PART NUMBERS AND SCHEMATICS GUIDE

### PNEUMATIC REMOTE CONTROL SYSTEM KITS – 6.5 CU. FT.

<b>Part Numbers</b>	<b>Blastmaster® 1-1/2" Maxum III Abrasive Metering Valve</b>		<b>GateKeeper Air Valve</b>	<b>Blastmaster® 152P Remote Control Switch</b>	<b>Twinline</b>	<b>Pusher Line Assembly</b>	<b>Abrasive Blasting Pot Muffler</b>
	<b>Urethane</b>	<b>Tungsten Carbide</b>					
<b>10105930</b>	X		1-1/2" High-Flow	X	50 Ft.	X	X
<b>10105508</b>		X	1-1/2" High-Flow	X	50 Ft.	X	X

For converting bare pot to pneumatic remote control system.

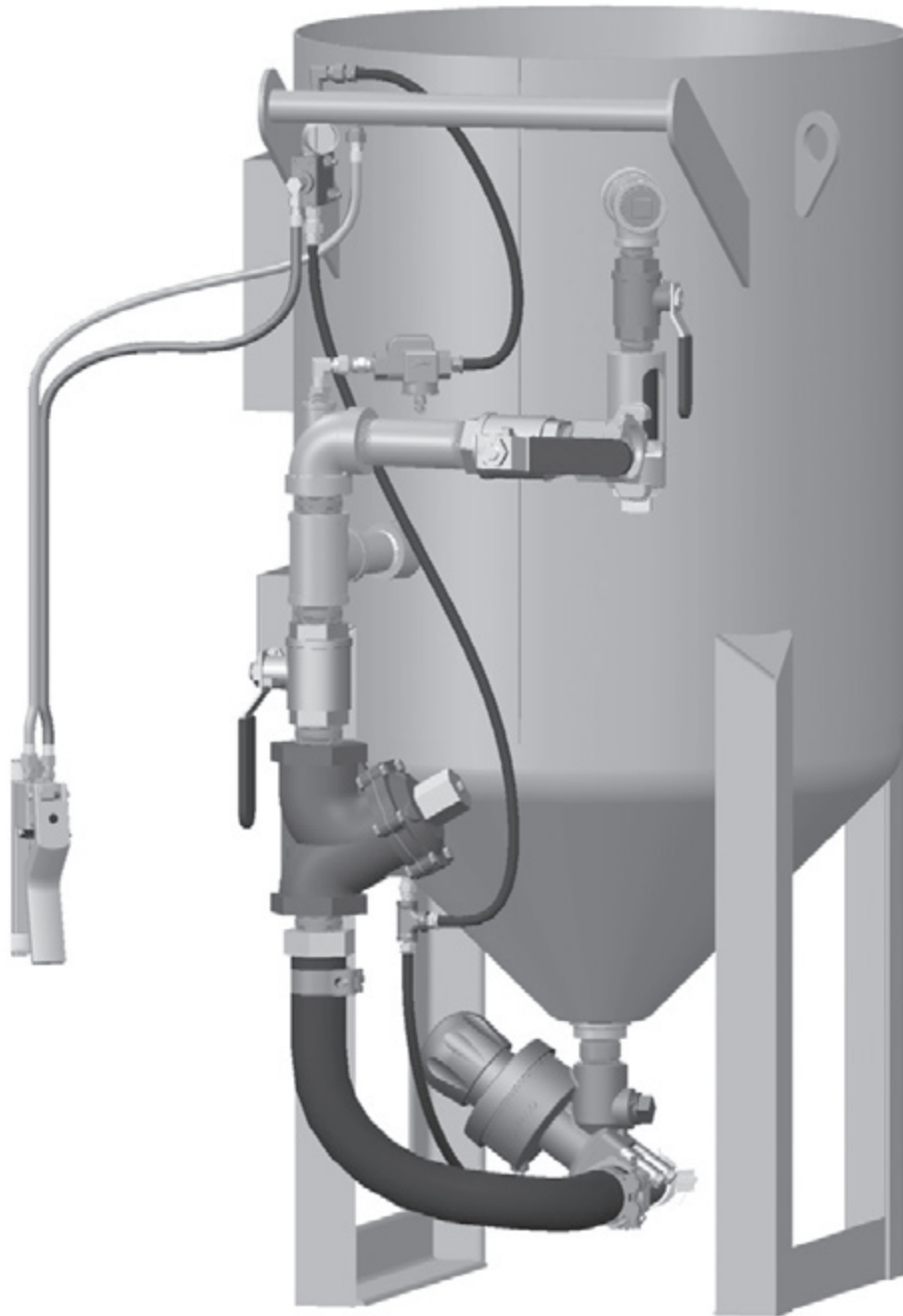
This system is for a single outlet.

Includes: Blastmaster® Maxum III Abrasive Metering Valve, 1-1/2" High-Flow GateKeeper, Blastmaster® 152P Remote Control Switch, Twinline, 1-1/2" I.D. Air Hose Pusher Line, and various pipe fittings

*Note that due to the wide variety of blast pots you may need to purchase additional fittings, bushing, etc.*



## PART NUMBERS AND SCHEMATICS GUIDE



## PART NUMBERS AND SCHEMATICS GUIDE

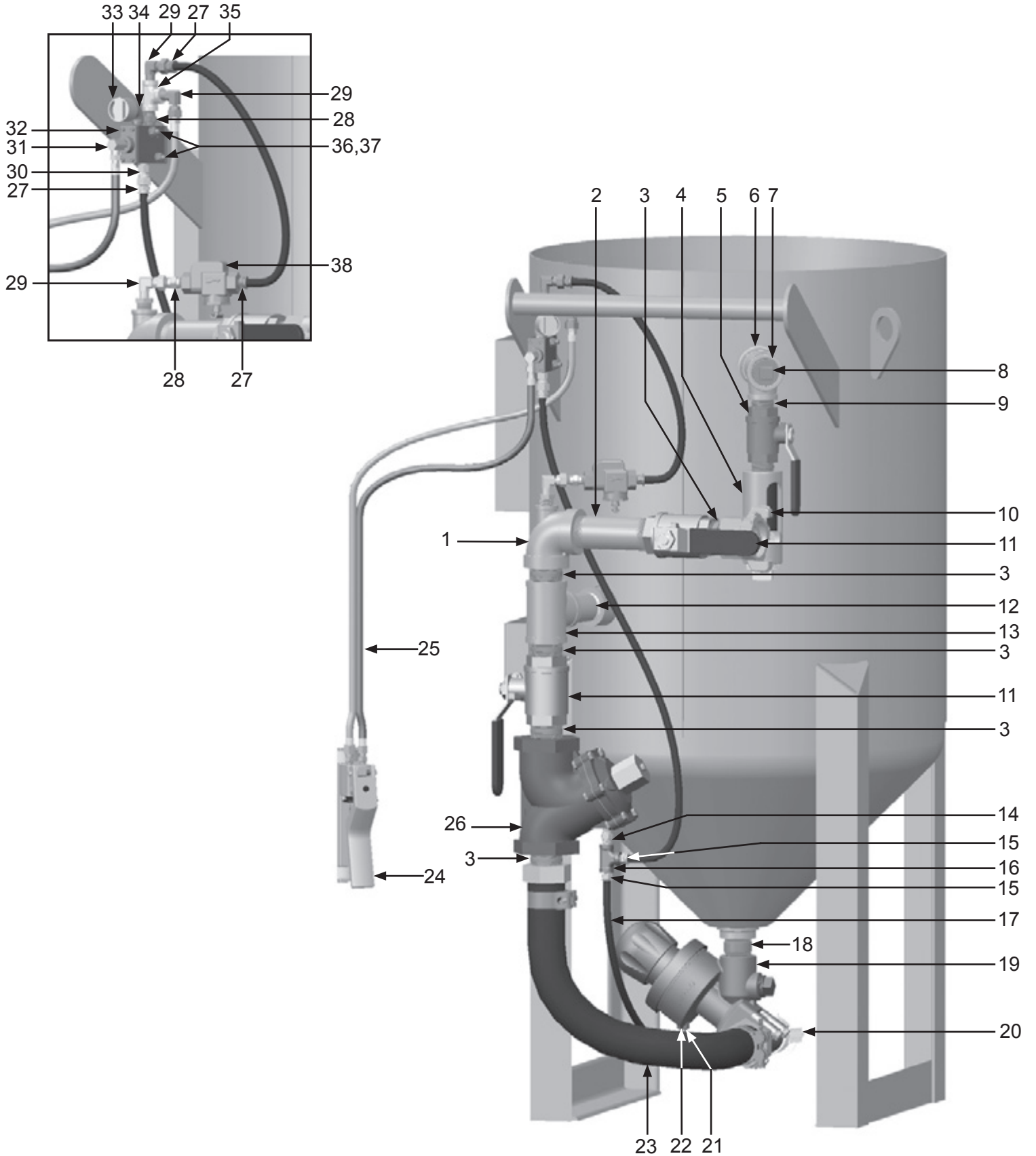
### Pneumatic Conversion Kit – 6.5 Cu. Ft.

Item #	Part #	Description
<b>Fig. 2</b>		
—	<b>10105930</b>	<b>Pneumatic Conversion Kit – 6.5 Cu. Ft. (Urethane)</b>
—	<b>10105508</b>	<b>Pneumatic Conversion Kit – 6.5 Cu. Ft. (Tungsten Carbide)</b>
1	1011828	1-1/2" NPT Elbow with 1/2" Side-Out
2	1011211	1-1/2" x 5-1/2" NPT Pipe Nipple
3	1014015	1-1/2" NPT Close Nipple <i>(Five Required)</i>
4	1011100	Exhaust Muffler
5	1011601	1" NPT Full Port Brass Ball Valve
6	1011201	1-1/4" NPT Close Nipple
7	1011817	1-1/4" x 1-1/4" x 1" NPT Pipe Tee
8	1011902	1-1/4" NPT Pipe Plug
9	1012151	1" NPT Close Nipple
10	10ME4	1-1/2" NPT (F) 4-Lug Air Hose Fitting
11	1011603	1-1/2" NPT Full Port Brass Ball Valve <i>(Two Required)</i>
12	1011204	1-1/4" x 3" NPT Pipe Nipple
13	1011836	1-1/2" x 1-1/2" x 1-1/4" NPT Pipe Tee
14	1017019	1/4" x 1/4" Brass Hex Nipple, 250 psi
15	10PAF025	1/4" Push-On Hose Fitting <i>(Three Required)</i>
16	1011844	1/4" NPT Pipe Tee <i>(Two Required)</i>
17	10AH025	1/4" Push-On Air Hose
18	1011813	1-1/4" x 2" NPT Pipe Nipple
19	10101950	1-1/2" Maxum III Abrasive Metering Valve – Tungsten Carbide Sleeve <i>(For use with 10105508)</i>
—	10101946	1-1/2" Maxum III Abrasive Metering Valve – Urethane Sleeve <i>(For use with 10105930)</i>
20	10SB2S	1-1/2" Brass Tank Coupling
21	10PAF0125	1/8" Push-On Air Hose Fitting
22	1014239	1/8" 90° Swivel Fitting <i>(Two Required)</i>
23	1006312	1-1/2" I.D. Air Hose Pusher Line Assembly <i>(See Fig. 4)</i>
24	1015200	Blastmaster® 152P Remote Control Switch
25	1016000	55 ft. of Pneumatic Control Twinline with 1/4" & 1/8" Male and Female Fittings
26	1013600	1-1/2" High-Flow GateKeeper Air Valve
27	10PAF025	1/4" Push-On Hose Fitting <i>(Three Required)</i>
28	1017019	1/4" x 1/4" Hex Nipple <i>(Two Required)</i>
29	1012326	1/4" Swivel 90° Fitting <i>(Three Required)</i>
30	10SME025	1/4" Straight Swivel
31	1014239	1/8" 90° Swivel Fitting <i>(Two Required)</i>
32	1019000	190 Pneumatic Solenoid
33	10DE025	1/4" NPT Dust Eliminator
34	1011824	1/4" Street Elbow
35	1011844	1/4" NPT Pipe Tee
36	10PVFIT1	1/4" x 1/8" Hex Union
37	1019044	1/4-20 x 1-3/4" Zinc Bolt <i>(Two Required)</i>
38	10WS	Watts Strainer

See page 19 for product literature

# PART NUMBERS AND SCHEMATICS GUIDE

Figure 2: Pneumatic Conversion Kit – 6.5 Cu. Ft.



## PART NUMBERS AND SCHEMATICS GUIDE

### PNEUMATIC REMOTE CONTROL SYSTEM KITS – 120 CU. FT. AND LARGER

<b>Part Numbers</b>	<b>Blastmaster® 1-1/2" Maxum III Abrasive Metering Valve</b>		<b>GateKeeper Air Valve</b>	<b>Blastmaster® 152P Remote Control Switch</b>	<b>55 Ft. Pneumatic Control Line</b>	<b>Pusher Line Assembly</b>
	<b>Urethane</b>	<b>Tungsten Carbide</b>				
<b>10104977</b>	X		1-1/2" High-Flow	X	X	X
<b>10104979</b>		X	1-1/2" High-Flow	X	X	X

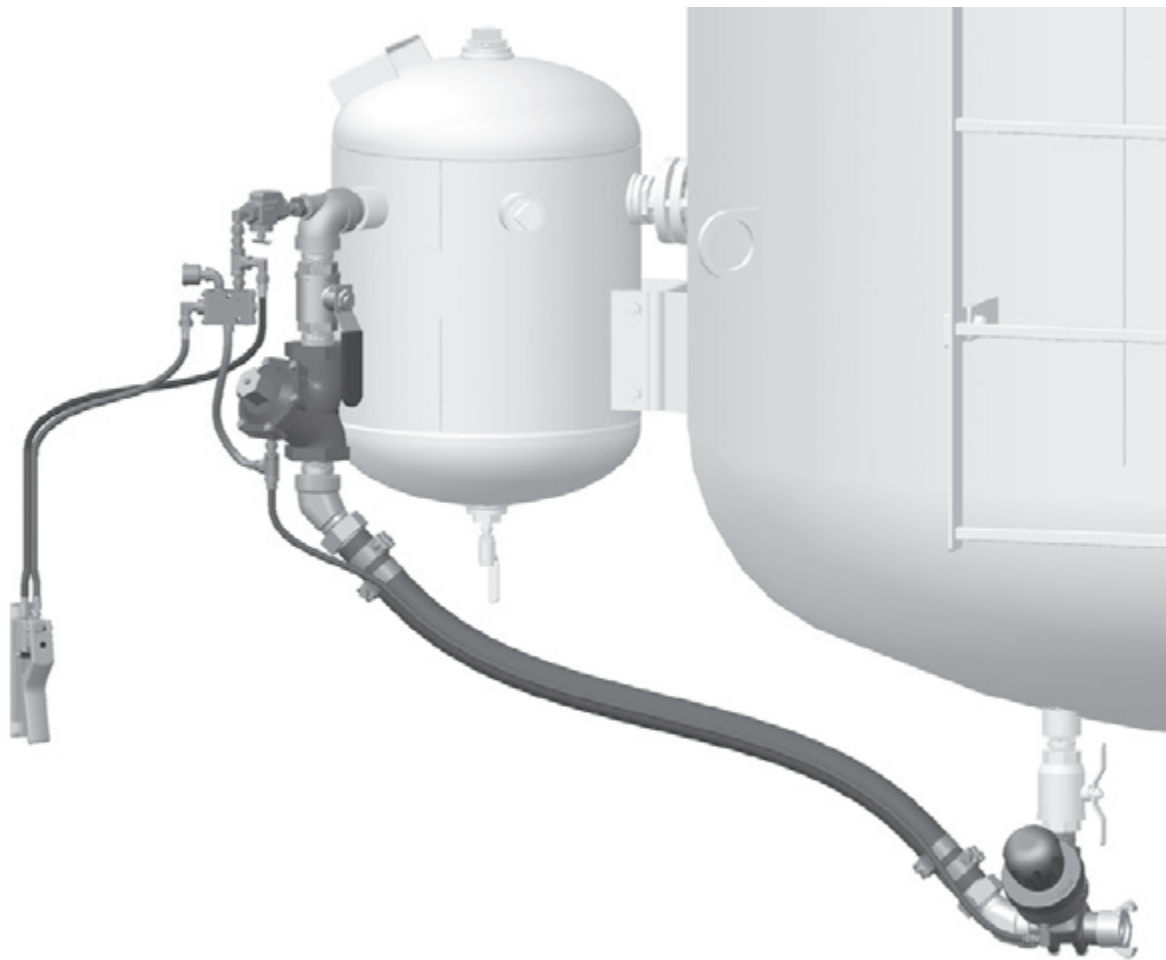
For converting bare pot to pneumatic remote control system.

This system is for a single outlet. For multiple outlets, purchase additional kits.

Includes: Blastmaster® Maxum III Abrasive Metering Valve, 1-1/2" GateKeeper, Blastmaster® 152P Remote Control Switch, Twinline, 1-1/2" I.D. Air Hose Pusher Line, and various pipe fittings

*Note that due to the wide variety of blast pots you may need to purchase additional fittings, bushing, etc.*

## PART NUMBERS AND SCHEMATICS GUIDE



## PART NUMBERS AND SCHEMATICS GUIDE

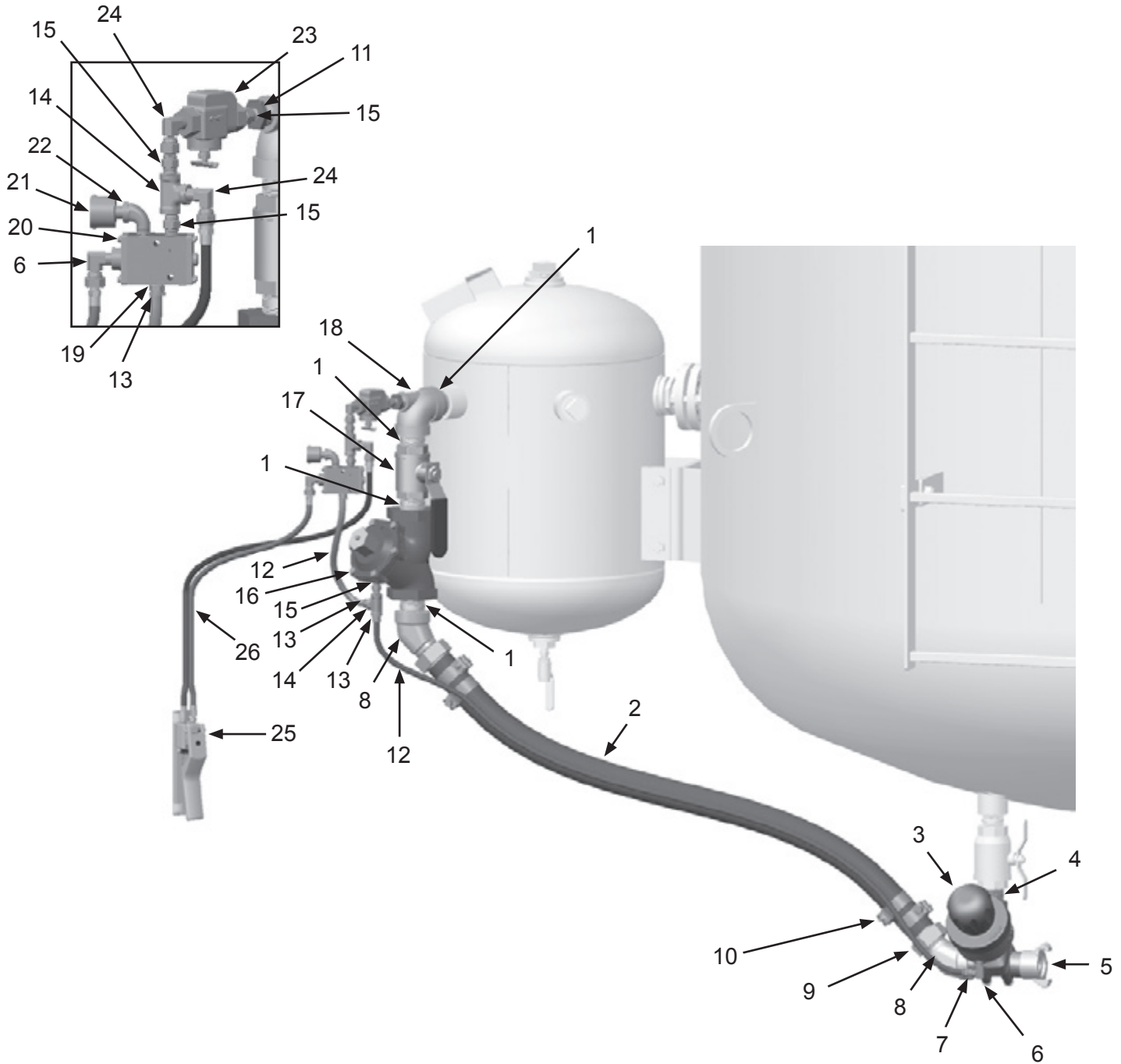
### Pneumatic Conversion Kit – 120 Cu. Ft. and Larger

Item #	Part #	Description
<b>Fig. 3</b>		
—	10104977	Pneumatic Conversion Kit – 120 Cu. Ft. and Larger (Urethane)
—	10104979	Pneumatic Conversion Kit – 120 Cu. Ft. and Larger (Tungsten Carbide)
1	1014015	1-1/2" Close Nipple <i>(Four Required)</i>
2	10AH112B	1-1/2" I.D. Air Hose – Per Foot
3	10101950	1-1/2" Maxum III Abrasive Metering Valve – Tungsten Carbide Sleeve <i>(For use with 10104979)</i>
—	10101946	1-1/2" Maxum III Abrasive Metering Valve – Urethane Sleeve <i>(For use with 10104977)</i>
4	1011201	1-1/4" NPT Close Nipple
5	10SB2S	1-1/2" NPT Brass Tank Coupling
6	1014239	1/8" 90° Swivel Fitting <i>(Two Required)</i>
7	10PAF0125	1/8" Push-On Air Hose Fitting
8	1011805	1-1/2" NPT 45° Street Elbow <i>(Two Required)</i>
9	10SFE4	1-1/2" NPT Swivel Female Air Hose Fitting <i>(Two Required)</i>
10	10103738	1-1/2" T-Bolt Hose Clamp <i>(Four Required)</i>
11	10100524	3/4" x 1/4" Galvanized Bushing
12	10AH025	1/4" Push-On Air Hose - Per Foot
13	10PAF025	1/4" Push-On Hose Fitting <i>(Three Required)</i>
14	1011844	1/4" NPT Pipe Tee <i>(Two Required)</i>
15	1017019	1/4" NPT Hex Nipple <i>(Four Required)</i>
16	1013600	1-1/2" High-Flow GateKeeper Air Valve
17	1011603	1-1/2" NPT Full Port Brass Ball Valve
18	1011829	1-1/2" NPT Elbow with 3/4" Side-Out
19	10SME025	1/4" Straight Swivel
20	1019000	190 Pneumatic Solenoid
21	10DE025	1/4" NPT Dust Eliminator
22	1011824	1/4" Street Elbow
23	10WS	Watts Strainer
24	1012326	1/4" Swivel 90° Fitting <i>(Two Required)</i>
25	1015200	Blastmaster® 152P Remote Control Switch
26	1016000	55 ft. of Pneumatic Control Twinline with 1/4" & 1/8" Male and Female Fittings

See page 19 for product literature

# PART NUMBERS AND SCHEMATICS GUIDE

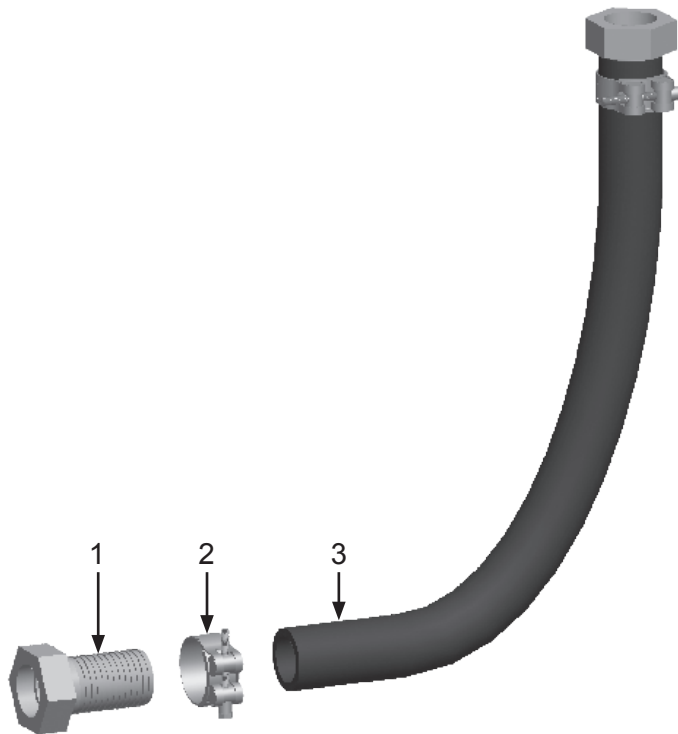
Figure 3: Pneumatic Conversion Kit – 120 Cu. Ft. and Larger



Single Outlet Configuration Shown on Blast Pot

## OPTIONAL ACCESSORIES

**Figure 4: Pusher Line Assembly**





Item #	Part #	Description
--------	--------	-------------










**Fig. 4**

—	<b>1006312</b>	<b>1-1/2" I.D. Pusher Line Assembly</b> <i>Includes Item #: 1, 2, and 3 (Quantity of Three Feet)</i>
1	10SFE4	1-1/2" Female Swivel Air Hose End <i>(Two Required)</i>
2	10103738	1-1/2" T-Bolt Hose Clamp <i>(Two Required)</i>
3	10AH112B	1-1/2" I.D. Air Hose <i>(Per Foot)</i>
—	10SFE4G	Gasket for 10SFE4 Swivel Air Hose End <i>(Not Shown)</i>





## OPTIONAL ACCESSORIES

		PNEUMATIC CONTROL LINE							
		Hose Length	Working Pressure	Hose I.D.	Hose O.D.	1017012	1017013	1017014	1017015
	<b>10TLBK</b>	Per Foot	200 psi	3/16"	7/16"				
	<b>1016002</b>	7 Feet	200 psi	3/16"	7/16"	X	X	X	X
	<b>1016000</b>	55 Feet	200 psi	3/16"	7/16"	X	X	X	X
	<b>1016001</b>	110 Feet	200 psi	3/16"	7/16"	X	X	X	X

		1/4" AND 1/8" NPT PNEUMATIC CONTROL LINE FITTINGS		
		Description	Hose I.D.	Hose O.D.
	<b>1017012</b>	1/8" Female Nut & Barb	3/16"	7/16"
	<b>1017013</b>	1/4" Female Nut & Barb	3/16"	7/16"
	<b>1017014</b>	1/8" Male Threaded Barb	3/16"	7/16"
	<b>1017015</b>	1/4" Male Threaded Barb	3/16"	7/16"
	<b>1017010</b>	Hose Splicer	3/16"	7/16"
	<b>1017017</b>	Hose Ferrule	3/16"	7/16"
	<b>1017011</b>	Oetiker® Clamp	3/16"	7/16"
	<b>1017018</b>	1/8" x 1/8" Hex Nipple	3/16"	7/16"
	<b>1017019</b>	1/4" x 1/4" Hex Nipple	3/16"	7/16"

# OPTIONAL ACCESSORIES

	<b>Part Numbers</b>	<b>PNEUMATIC CONTROL LINE FITTINGS ACCESSORIES</b>
	10DX855A	Ferrule Crimping Tool
	10DX1098	Oetiker® Clamp Tool

# LITERATURE REFERENCES

## Remote Control System

105M085	Features and Specifications Guide – Blastmaster® 130P Remote Control System
106M085	Part Numbers and Schematics Guide – Blastmaster® 130P Remote Control System
106M423	Part Numbers and Schematics Guide – Blastmaster® GateKeeper Air Valve
1090085	Operator's Manual – Blastmaster® 130P Remote Control System

## Remote Control Switch

105M068	Features and Specifications Guide – Blastmaster® 152P Remote Control Switch
106M068	Part Numbers and Schematics Guide – Blastmaster® 152P Remote Control Switch
1090068	Operator's Manual – Blastmaster® 152P Remote Control Switch

## Abrasive Metering Valve

105M069	Features and Specifications Guide – Blastmaster® Maxum III Abrasive Metering Valve
106M069	Part Numbers and Schematics Guide – Blastmaster® Maxum III Abrasive Metering Valve
1090069	Operator's Manual – Blastmaster® Maxum III Abrasive Metering Valve

## Abrasive Blasting Pot Muffler

105M347	Features and Specifications Guide – Abrasive Blasting Pot Muffler
106M347	Part Numbers and Schematics Guide – Abrasive Blasting Pot Muffler

## GLOBAL HEADQUARTERS

- 3425 East Locust Street  
Davenport, IA 52803

ph: 800.BLAST.IT (800.252.7848)

ph: 563.324.2519

fax: 563.324.6258

## REGIONAL BRANCH OFFICES

- **Iowa**  
Davenport
- **Louisiana**  
Gonzales  
Lafayette
- **Ohio**  
Youngstown
- **Texas**  
Beaumont  
Corpus Christi  
Deer Park

## 40+ NATIONWIDE SHIPPING LOCATIONS



★ Marco Regional Branch Offices  
and Shipping Locations

● Direct Shipping Locations



ABRASIVES

BLASTING

COATING

DUST COLLECTORS

ENGINEERED SYSTEMS

RENTAL

SAFETY

SERVICE & REPAIR

VACUUMS

## CONTACT MARCO

**800.BLAST.IT**

**(800.252.7848)**

**563.324.2519**

**FAX: 563.324.6258**

**WWW.MARCO.US**

**SALES@MARCO.US**