



BLASTMASTER® 130P REMOTE CONTROL SYSTEM



BUILT MARCO TOUGH
MARCO MANUFACTURED

PART NUMBERS AND SCHEMATICS GUIDE

Company Profile

Since 1944, Marco has developed a strong tradition of providing innovative and reliable products and services to the surface preparation and protective coatings industries. We are the world's premier provider of Abrasives, Blasting, Coating, Dust Collectors, Engineered Systems, Rental, Safety, Service, Repair, & Modernization, and Vacuums.

Through innovative designs and a total commitment to quality, Marco manufactures products that increase production rates, create a safer workplace, and reduce maintenance costs. Marco's industry experience, manufacturing capabilities, legendary customer service, product availability, logistics services, and technology leadership is your assurance that we deliver high quality products and services, providing the best value to you, our customer.

The Marco Difference

- **Industry Experience** – With Marco on your team, you have access to expertise which can only come from decades of industry leadership. We have organized our engineering department, production specialists, customer operations, and safety support into a “Center of Competence.” As a Marco customer, you have access to hundreds of years of cumulative experience related to your operations.
- **Manufacturing Excellence** – Marco is a U.S. based, ISO 9001:2008 certified manufacturer of equipment for the Surface Preparation and Protective Coatings industries. Marco's engineers benchmark the industry to ensure that we design and manufacture superior products that set the “Gold Standard” for performance, safety, and quality.
- **Legendary Customer Service** – Marco's legendary customer service team is staffed by friendly, highly-trained individuals who are focused on providing the highest level of product support, order accuracy, and customer satisfaction.
- **Product Availability** – We stock over 10,000 SKU's and have more than 45 shipping locations to serve North American and International markets for all major brands of blasting and coating equipment. As the largest provider of surface preparation and protective coatings equipment in the world, our inventory levels and product availability are unmatched.
- **Logistics Services** – Marco's in-house logistics team is dedicated to moving your shipment anywhere in the world. We move more than 14,000 truckloads every year, allowing you to save on freight costs by leveraging our buying power. Lower your process costs with a single invoice, which includes product and freight.
- **Technology Leadership** – Our website provides: Operator's Manuals, Part Numbers and Schematics Guides, SDS information, and Features & Specifications Guides, providing access to information 24/7. Our Extranet application allows you to receive quotes and place orders online. Our Intranet maintains a complete record of your purchase history to assist with ongoing support of your existing equipment and future purchasing decisions.

Vision Statement

Marco is the world's premier provider of Abrasives, Blasting, Coating, Dust Collectors, Engineered Systems, Rental, Safety, Service, Repair, & Modernization, and Vacuums.

Mission Statement

Marco provides strong leadership and innovation to the surface preparation and protective coatings industries. We dedicate our efforts to the continuous improvement of our products, services, processes, people, and most importantly, the quality of our customer's experience.

Quality Statement

Marco is committed to providing superior quality in the design, manufacturing, distribution, rental, service, and repair of our products. Our ISO 9001:2008 certification extends throughout all operations in all locations. Continuous improvement of our processes and supply chain Integration comprise the core of our business strategy for delivering exceptional quality and value in all Marco products and services.

Management Philosophy

We are a company dedicated to the success of every customer and associate. We discuss, debate, challenge, measure, and test our ideas. We will be boundless and limitless in our passion to improve. Through sound leadership and dedicated associates, we will ensure a long term, profitable future for Marco, our associates, customers, and suppliers.

TABLE OF CONTENTS

Company Profile	1
Table of Contents	2
Part Numbers	3
Blastmaster® 130P Remote Control System	4
Part Numbers & Schematics	5-10
Blastmaster® 130P Remote Control System	5-6
1-1/2" High-flow GateKeeper Air Valve	7-8
1-1/2" GateKeeper Air Valve	9-10
190 Pneumatic Solenoid	11
Blastmaster® 152P Remote Control Switch	12
Optional Accessories	13-14

PART NUMBERS

BLASTMASTER® 130P REMOTE CONTROL SYSTEM							
Part Number	1-1/2" High-Flow GateKeeper Air Valve	1-1/2" GateKeeper Air Valve	Pneumatic Solenoid	Remote Control Switch	55 Feet of Pneumatic Control Line – Coupled	9 Feet of Push-On Air Hose	Watts Strainer
10103834	1013600	—	1019000	1015200	1016000	10AH025	10WS
10105797	—	1013200	1019000	1015200	1016000	10AH025	10WS

BLASTMASTER® 130P REMOTE CONTROL SYSTEM



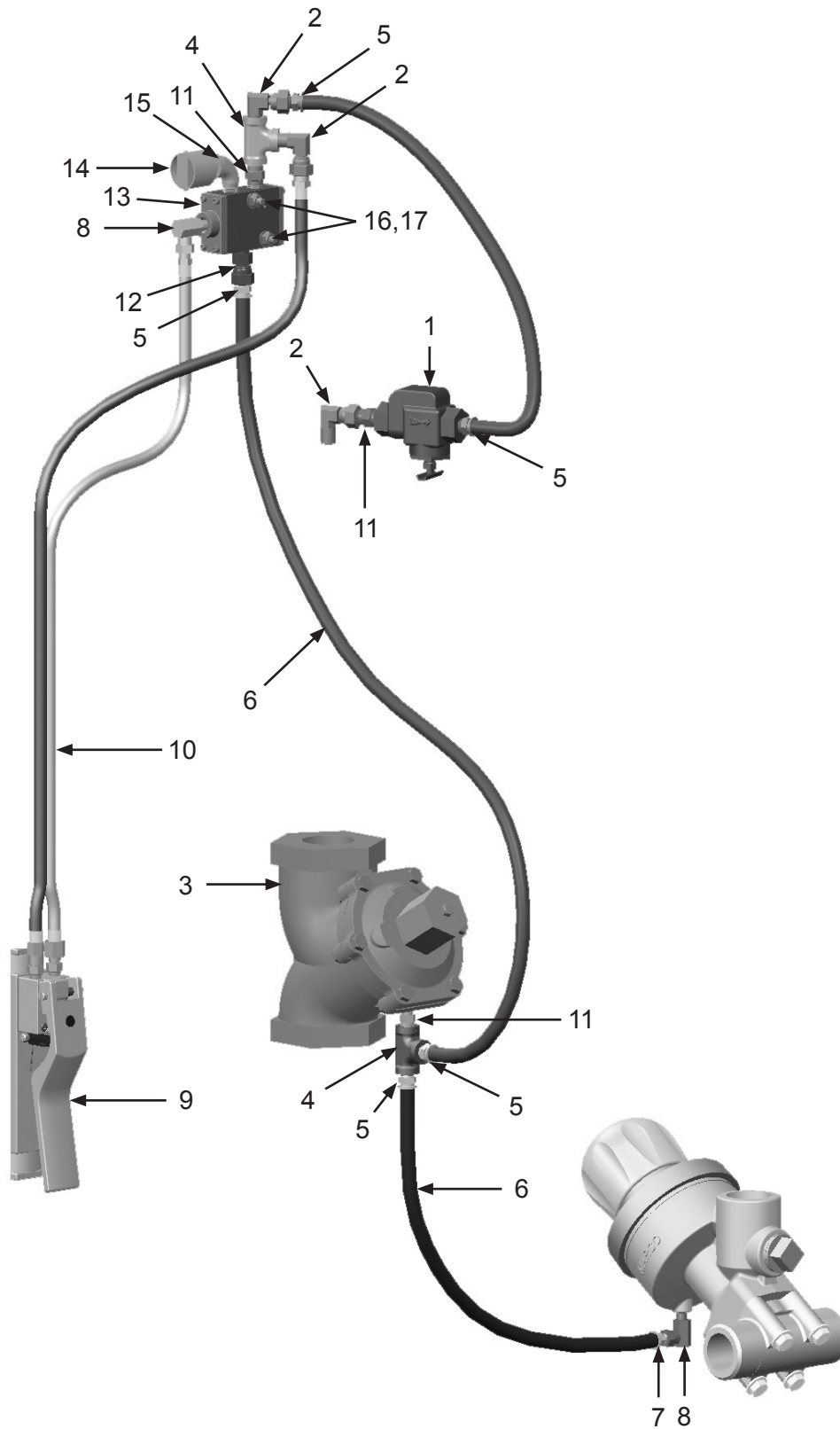
PART NUMBERS & SCHEMATICS

Blastmaster® 130P Remote Control System

Item #	Part #	Description
Fig. 1		
—	10103834	Blastmaster® 130P Remote Control System — Complete
1	10WS	Watts Strainer
2	1012326	1/4" Swivel 90° Fitting (<i>Three Required</i>)
3	1013600	1-1/2" NPT High-flow GateKeeper Air Valve (<i>See Figure 3</i>)
4	1011844	1/4" NPT Pipe Tee (<i>Two Required</i>)
5	10PAF025	1/4" Push-On Hose Fitting (<i>Five Required</i>)
6	10AH025	1/4" Push-On Air Hose (<i>Per Foot</i>)
7	10PAF0125	1/8" Push-On Air Hose Fitting
8	1014239	1/8" 90° Swivel Fitting (<i>Two Required</i>)
9	1015200	Blastmaster® 152P Remote Control Switch
10	1016000	55 ft. of Pneumatic Control Line with 1/4" & 1/8" Male and Female Fittings
11	1017019	1/4" x 1/4" Hex Nipple (<i>Three Required</i>)
12	10SME025	1/4" Straight Swivel
13	1019000	190 Pneumatic Solenoid (<i>See Figure 5</i>)
14	10DE025	1/4" NPT Dust Eliminator
15	1011824	1/4" Street Elbow
16	1019044	1/4"-20 x 1-3/4" Zinc Bolt (<i>Two Required</i>)
17	1012323	1/4"-20 Zinc Lock Nut with Nylon (<i>Two Required</i>)
—	1091045	Hazard Identification Tag
—	105M085	Features, Advantages, & Benefits Guide — Blastmaster® 130P Remote Control System
—	106M085	Part Numbers & Schematics Guide — Blastmaster® 130P Remote Control System
—	1090085	Operator's Manual — Blastmaster® 130P Remote Control System
—	105M068	Features, Advantages, & Benefits Guide — Blastmaster® 152P Remote Control Switch
—	106M068	Part Numbers & Schematics Guide — Blastmaster® 152P Remote Control Switch
—	1090068	Operator's Manual — Blastmaster® 152P Remote Control Switch

PART NUMBERS & SCHEMATICS

Figure 1: Blastmaster® 130P Remote Control System



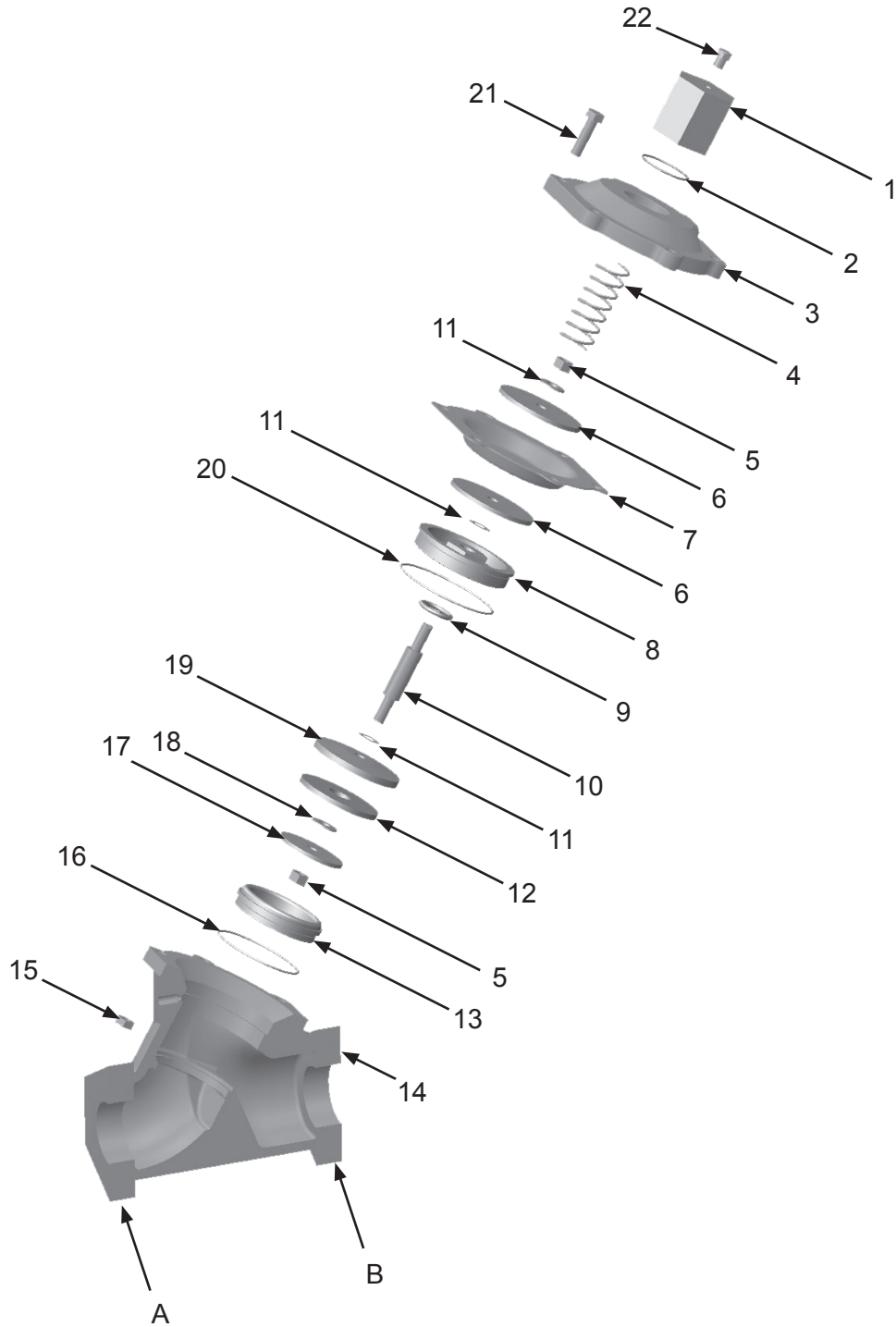
PART NUMBERS & SCHEMATICS

1-1/2" NPT High-Flow GateKeeper Air Valve

Item #	Part #	Description
Fig. 2		
—	1013600	1 1/2" NPT High-Flow GateKeeper Air Valve
1	1013322	Spring Retainer
2	1013326	O-ring
3	1013312	Cap
4	1013323	Spring
5	1013313	Lock Nut
6	1013315	<i>Diaphragm Plate (two required)</i>
7	1013303	Diaphragm
8	1013305	Retainer Bushing
9	1013306	O-ring
10	1013318	Shaft
11	1013302	<i>Gasket (two required)</i>
12	1013320	Disc
13	1013311	Lock Nut
13	1013309	Seat
14	1013328	Body
15	1013316	<i>Nut (six required)</i>
16	1013308	Seat O-Ring
17	1013310	Disc Plate
18	1013327	Brass Washer
19	1013307	Disc Retainer
20	1013304	O-ring
21	1013314	<i>Cap Screw (six required)</i>
22	1012905	1/8" Breather Muffler
A	1091050	Sticker - Air Outlet
B	1091051	Sticker - Air Inlet
—	1013301	1 1/2" NPT High-flow GateKeeper Air Valve Service Kit (Includes Item #'s: 5, 7, 9, 11, 12, 17, and 20)

PART NUMBERS & SCHEMATICS

Figure 2: 1-1/2" NPT High-flow GateKeeper Air Valve



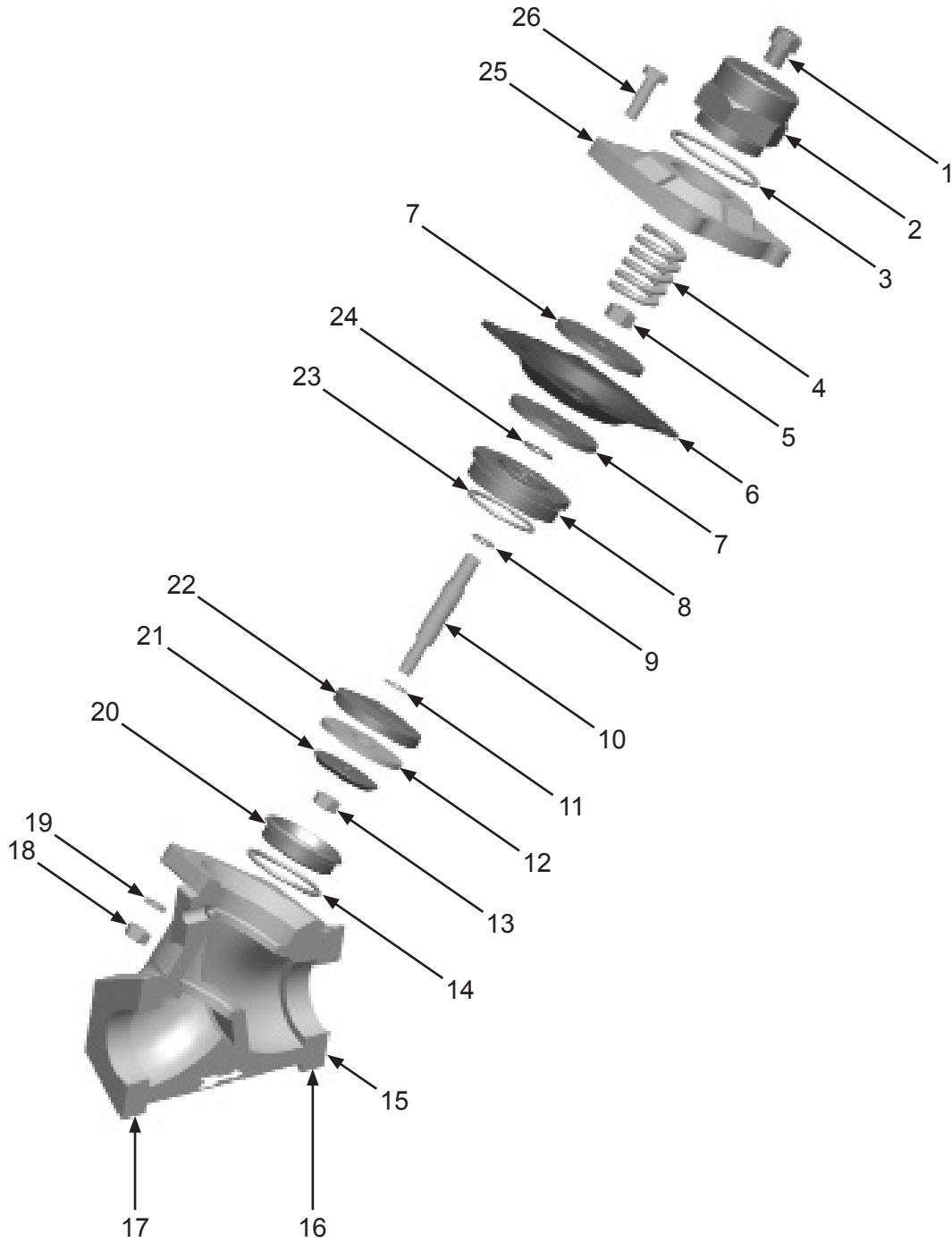
PART NUMBERS & SCHEMATICS

1-1/2" GateKeeper Air Valve

Item #	Part #	Description
Fig. 10		
—	1013200	1-1/2" GateKeeper Air Valve – Complete
1	1012905	1/8" Breather Muffler
2	1013122	Spring Retainer
3	1013121	Spring Retainer O-ring
4	1013123	Spring
5	1013113	5/16–24 Lock Nut
6	1013103	Diaphragm
7	1013115	Diaphragm Plate <i>(Two Required)</i>
8	1013105	Retainer Bushing
9	1013106	Retainer Bushing O-ring
10	1013118	Shaft
11	1013119	Shaft Gasket
12	1013120	Disc
13	1013111	Lock Nut
14	1013108	Seat O-ring
15	1013202	Body – 1-1/2" GateKeeper Air Valve
16	1091050	Sticker – AIR INLET
17	1091051	Sticker – AIR OUTLET
18	1013116	Lock Nut <i>(Four Required)</i>
19	1012153	Lock Washer <i>(Four Required)</i>
20	1013109	Seat
21	1013110	Disc Plate
22	1013107	Disc Retainer
23	1013104	O-ring
24	1013102	Gasket
25	1013112	Cap
26	1013114	Bolt <i>(Four Required)</i>
—	1013101	1-1/2" GateKeeper Air Valve Repair Kit <i>(Includes Item #'s: 5, 6, 11–14, 20, 23, and 24)</i>
—	1013124	Seat Tool
—	1013125	Retainer Bushing Tool
—	106M423	Part Numbers and Schematics Guide – GateKeeper Air Valves
—	1090011	Operator's Manual – Blastmaster® 130E Remote Control System

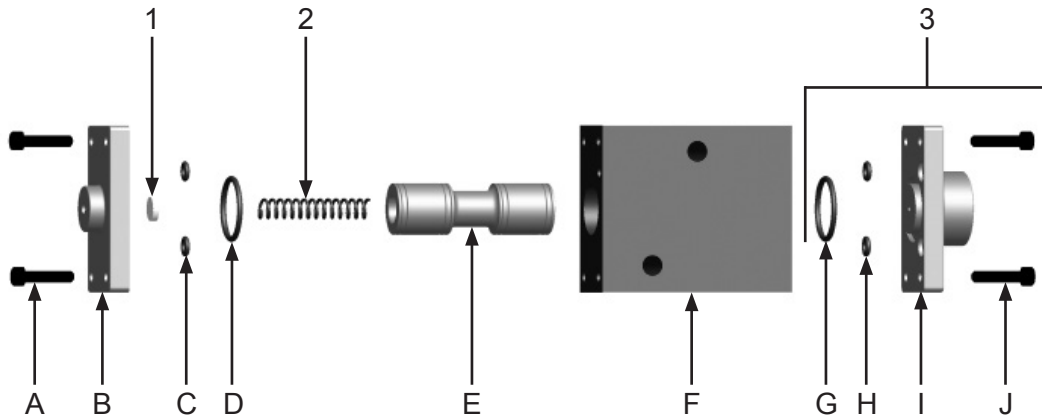
PART NUMBERS & SCHEMATICS

Figure 10: 1-1/2" GateKeeper Air Valve



PART NUMBERS & SCHEMATICS

Figure 3: 190 Pneumatic Solenoid

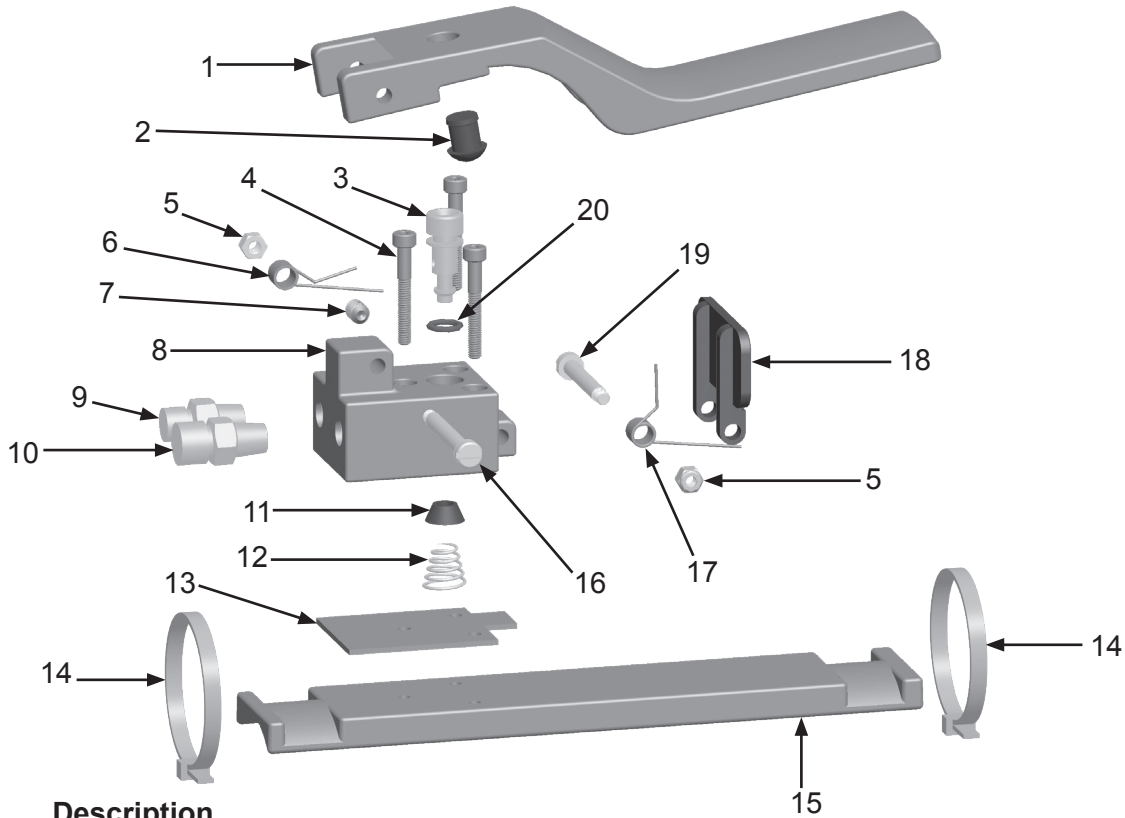


Item #	Part #	Description
Fig. 3		
—	1019000	190 Pneumatic Solenoid – Normally-Closed – Complete
1	1019029	Felt Filter
2	1019032	Spring
3	1019027	Pneumatic Solenoid Operator Assembly <i>(Includes Items: G, H, I, and J)</i>
4	1019028	Pneumatic Solenoid Service Kit <i>(Includes Items: #1, #2, C, D, E, G, and H)</i>

* Items A–J are not available individually





PART NUMBERS & SCHEMATICS

Figure 4: Blastmaster® 152P Remote Control Switch














Item #	Part #	Description
Fig. 4		
—	1015200	Blastmaster® 152P Remote Control Switch – Complete
1	10102171	Handle
2	10102181	Button Bumper
3	10102175	Air Valve Stem
4	10102178	M4 x 30 Socket Head Cap Screw <i>(Three Required)</i>
5	10102184	M4 Lock Nut <i>(Two Required)</i>
6	10102179	Spring
7	10102182	M6 Set Screw
8	10102172	Manifold
9	10102187	1/8" NPSL x 1/8" NPT Fitting
10	10102186	1/4" NPSL x 1/8" NPT Fitting
11	10102176	Air Valve Packing
12	10102183	Valve Stem Spring
13	10102173	Manifold Gasket
14	1015015	Nylon Zip Tie – White <i>(Two Required)</i>
15	10102170	Base Plate
16	10102180	M4 x 48.9 Shoulder Screw
17	10102241	Safety Tab Spring
18	10102174	Safety Tab
19	10102185	M4 x 42 Shoulder Screw
20	10102177	O-Ring
—	10102169	Blastmaster® 152P Remote Control Switch Repair Kit <i>(Includes Item #'s: one each of 3, 7, 8, 11, 12, 20; two each of 15)</i>
—	105M068	Features and Specifications Guide – Blastmaster® 152P Remote Control Switch
—	106M068	Part Numbers and Schematics Guide – Blastmaster® 152P Remote Control Switch
—	1090068	Operator's Manual – Blastmaster® 152P Remote Control Switch
—	1091045	Hazard Identification Tag

OPTIONAL ACCESSORIES

		PNEUMATIC CONTROL LINE							
		Hose Length	Working Pressure	Hose I.D.	Hose O.D.	1017012	1017013	1017014	1017015
Part Numbers									
	1016002	7 Feet	200 psi	3/16"	7/16"	X	X	X	X
	1016000	55 Feet	200 psi	3/16"	7/16"	X	X	X	X
	1016001	110 Feet	200 psi	3/16"	7/16"	X	X	X	X
	10TLBK	Per Foot	200 psi	3/16"	7/16"				

OPTIONAL ACCESSORIES

		1/4" AND 1/8" NPT PNEUMATIC CONTROL LINE FITTINGS		
	Part Numbers	Description	Hose I.D.	Hose O.D.
	1017012	1/8" Female Nut & Barb	3/16"	7/16"
	1017013	1/4" Female Nut & Barb	3/16"	7/16"
	1017014	1/8" Male Threaded Barb	3/16"	7/16"
	1017015	1/4" Male Threaded Barb	3/16"	7/16"
	1017010	Hose Splicer	3/16"	7/16"
	1017017	Hose Ferrule	3/16"	7/16"
	1017011	Oetiker® Clamp	3/16"	7/16"
	1017018	1/8" x 1/8" Hex Nipple	3/16"	7/16"
	1017019	1/4" x 1/4" Hex Nipple	3/16"	7/16"

	Part Numbers	PNEUMATIC CONTROL LINE FITTINGS ACCESSORIES		
	10DX855A	Ferrule Crimping Tool		
	10DX1098	Oetiker® Clamp Tool		

Oetiker® is a registered trademark of Dixon Valve & Coupling Co.

GLOBAL HEADQUARTERS

- 3425 East Locust Street
Davenport, IA 52803

ph: 800.BLAST.IT (800.252.7848)

ph: 563.324.2519

fax: 563.324.6258

REGIONAL BRANCH OFFICES

- **Iowa**
Davenport
- **Louisiana**
Gonzales
Lafayette
- **Ohio**
Youngstown
- **Texas**
Beaumont
Corpus Christi
Deer Park



ABRASIVES

BLASTING

COATING

DUST COLLECTORS

ENGINEERED SYSTEMS

RENTAL

SAFETY

SERVICE & REPAIR

VACUUMS

40+ NATIONWIDE SHIPPING LOCATIONS



★ Marco Regional Branch Offices
and Shipping Locations

● Direct Shipping Locations

CONTACT MARCO

800.BLAST.IT
(800.252.7848)

563.324.2519

FAX: 563.324.6258

WWW.MARCO.US
SALES@MARCO.US