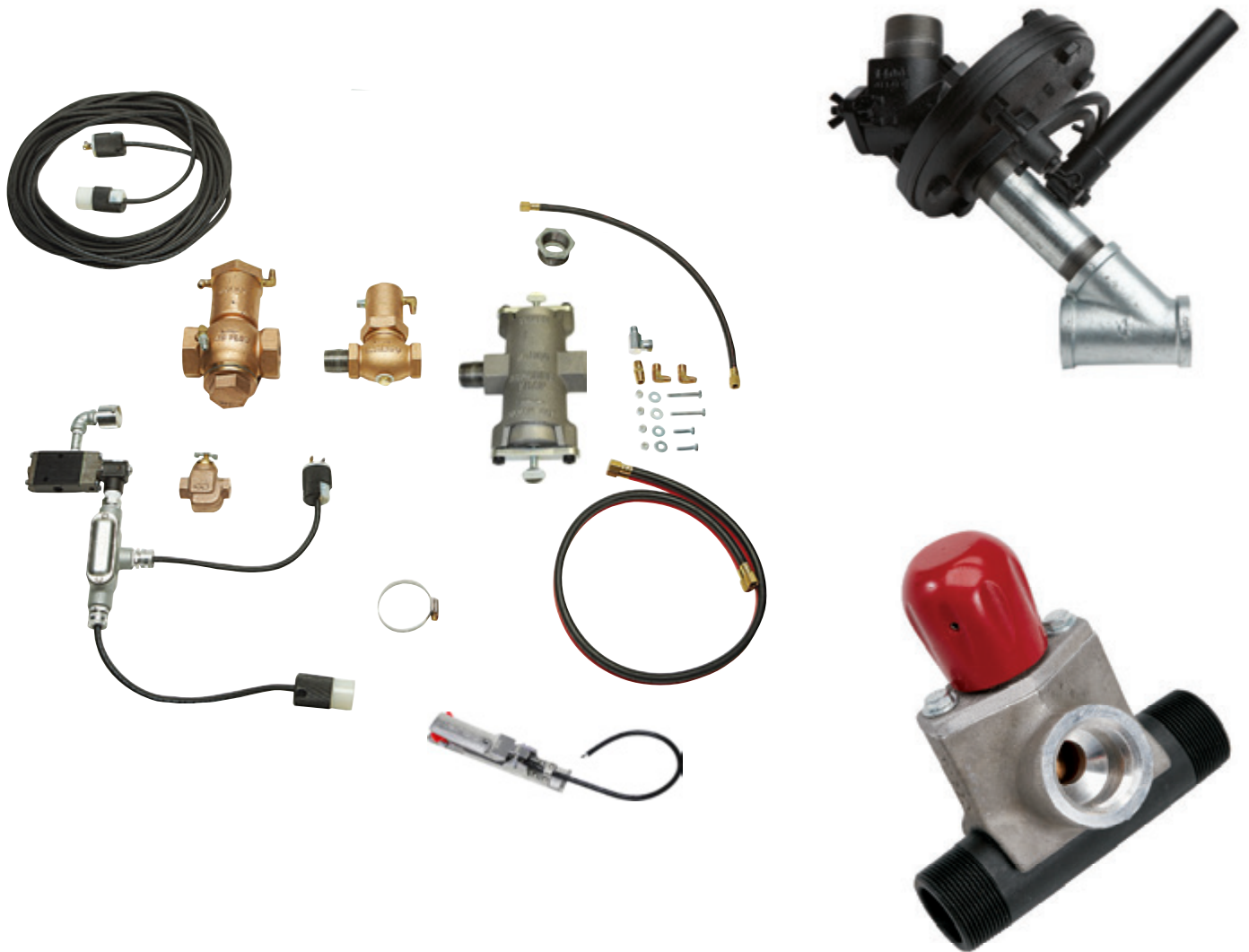




# BLASTMASTER® 125E REMOTE CONTROL SYSTEM CONVERSION KITS



**BUILT MARCO TOUGH**  
MARCO MANUFACTURED

## PART NUMBERS AND SCHEMATIC GUIDE

## Company Profile

Since 1944, Marco has developed a strong tradition of providing innovative and reliable products and services to the surface preparation and protective coatings industries. We are the world's premier provider of Abrasives, Blasting Equipment, Coating Equipment, Engineered Systems, Rental Equipment, Safety Equipment, Service, and Repair.

Through innovative designs and a total commitment to quality, Marco manufactures products that increase production rates, create a safer workplace, and reduce maintenance costs. Marco's industry experience, manufacturing capabilities, legendary customer service, product availability, logistics services, and technology leadership is your assurance that we deliver high quality products and services, providing the best value to you, our customer.

## The Marco Difference

- **Industry Experience** – With Marco on your team, you have access to expertise which can only come from decades of industry leadership. We have organized our engineering department, production specialists, customer operations, and safety support into a "Center of Competence." As a Marco customer, you have access to hundreds of years of cumulative experience related to your operations.
- **Manufacturing Excellence** – Marco is a U.S. based, ISO 9001:2008 certified manufacturer of equipment for the Surface Preparation and Protective Coatings industries. Marco's engineers benchmark the industry to ensure that we design and manufacture superior products that set the "Gold Standard" for performance, safety, and quality.
- **Legendary Customer Service** – Marco's legendary customer service team is staffed by friendly, highly-trained individuals who are focused on providing the highest level of product support, order accuracy, and customer satisfaction.
- **Product Availability** – We stock over 10,000 SKU's and have over 45 shipping locations to serve North American and International markets for all major brands of blasting and painting equipment. As the largest provider of surface preparation and protective coatings equipment in the world, our inventory levels and product availability are unmatched.
- **Logistics Services** – Marco's in-house logistics team is dedicated to moving your shipment anywhere in the world. We move over 14,000 truckloads every year, allowing you to save on freight costs by leveraging our buying power. Lower your process costs with a single invoice, which includes product and freight.
- **Technology Leadership** – Our website provides: Operator's Manuals, Part Numbers and Schematics Guides, MSDS information, and Features, Advantages, and Benefits Guides, providing access to information 24/7. Our Extranet application allows you to receive quotes and place orders online. Our Intranet maintains a complete record of your purchase history to assist with ongoing support of your existing equipment and future purchasing decisions.

## Vision Statement

Marco is the world's premier provider of Abrasives, Blasting Equipment, Coating Equipment, Engineered Systems, Rental Equipment, Safety Equipment, Service, and Repair.

## Mission Statement

Marco provides strong leadership and innovation to the surface preparation and protective coatings industries. We dedicate our efforts to the continuous improvement of our products, services, processes, people, and most importantly, the quality of our customer's experience.

## Quality Policy

Marco is committed to providing superior quality in the design, manufacturing, distribution, rental, service, and repair of our products. Our ISO 9001:2008 certification extends throughout all operations in all locations. Continuous improvement of our processes and supply chain Integration comprise the core of our business strategy for delivering exceptional quality and value in all Marco products and services.

## Management Philosophy

We are a company dedicated to the success of every customer and associate. We discuss, debate, challenge, measure, and test our ideas. We will be boundless and limitless in our passion to improve. Through sound leadership and dedicated associates, we will ensure a long term, profitable future for Marco, our associates, customers, and suppliers.

# TABLE OF CONTENTS

<b>Company Profile</b> .....	2
<b>Table of Contents</b> .....	3
<b>Pneumatic-to-Electric</b>	
<b>Conversion Kits</b> .....	<b>4-10</b>
Part Numbers – 12-Volt DC .....	4-7
Part Numbers – 120-Volt AC .....	8-10
<b>Complete Remote Control System</b>	
<b>Conversion Kits</b> .....	<b>11-34</b>
3.0 Cu. Ft. C-Series Abrasive Blasting Pots	
Part Numbers – 12-Volt DC .....	11-12
Part Numbers and Schematics .....	13-14
Part Numbers – 120-Volt AC .....	15-16
Part Numbers and Schematics .....	17-18
3.5 Cu. Ft. M-Series Abrasive Blasting Pots	
Part Numbers – 12-Volt DC .....	19-20
Part Numbers and Schematics .....	21-22
Part Numbers – 120-Volt AC .....	23-24
Part Numbers and Schematics .....	25-26
6.0 Cu. Ft. C-Series Abrasive Blasting Pots	
Part Numbers – 12-Volt DC .....	27-28
Part Numbers and Schematics .....	29-30
Part Numbers – 120-Volt AC .....	31-32
Part Numbers and Schematics .....	33-34
<b>Optional Accessories</b> .....	35
Electric Cord .....	35
Electric Control Line with Plugs .....	35
Electric Control Line Plugs .....	35
<b>Literature References</b> .....	36
<b>Maintenance Notes</b> .....	<b>37-38</b>

## PART NUMBERS AND SCHEMATICS GUIDE

### PNEUMATIC TO 12-VOLT DC ELECTRIC CONVERSION KIT

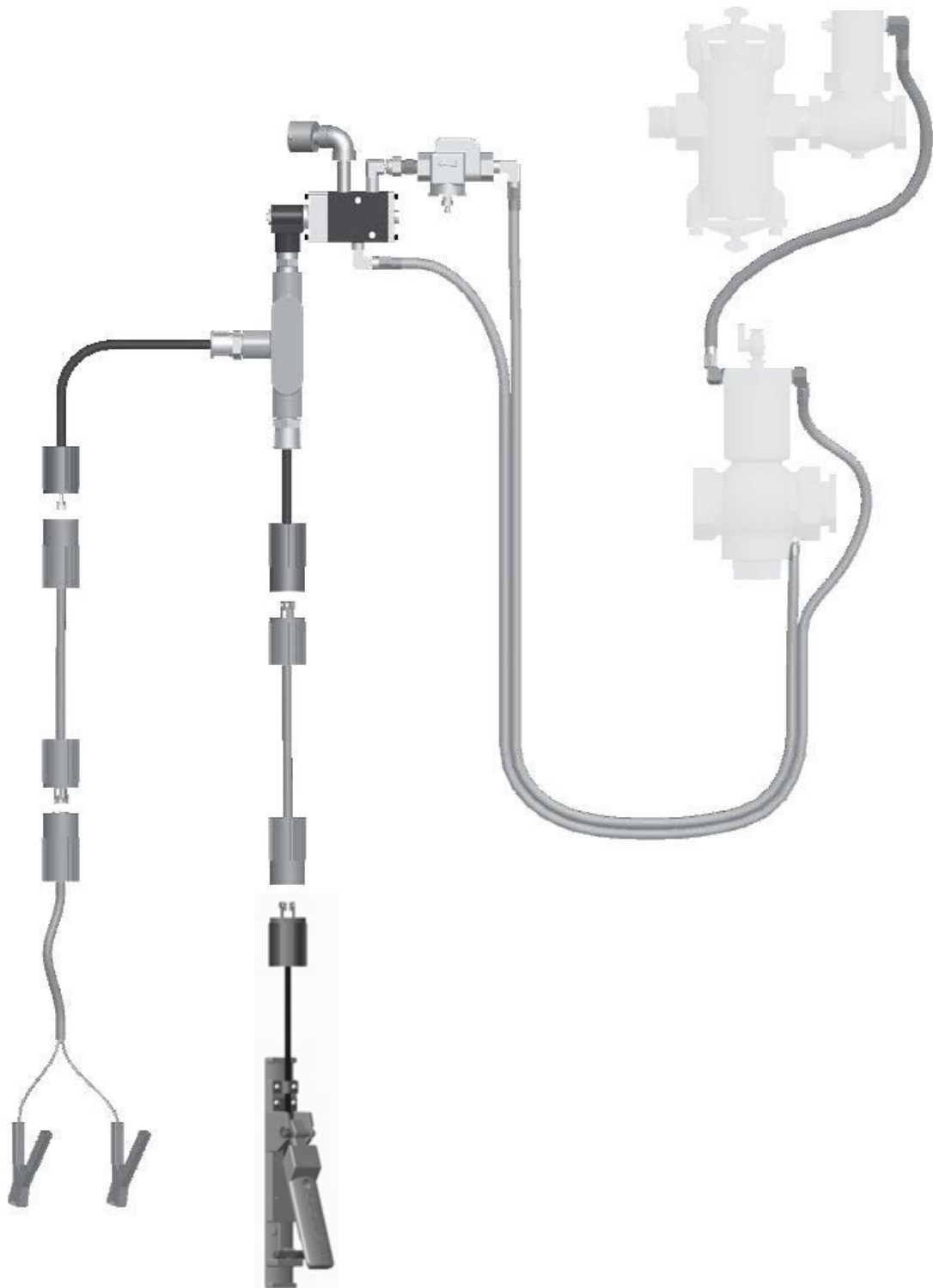
<b>Part Numbers</b>	<b>Marco® 190 12-Volt DC Electric Control Assembly</b>	<b>Blastmaster® 151E Remote Control Switch</b>	<b>Electric Control Line <i>(Includes Connectors)</i></b>	<b>Power Cord <i>(Includes Connectors)</i></b>	<b>Battery Clamps</b>
<b>1019061</b>	X	X	50 Ft.	25 Ft.	X

For converting Pneumatic to 12-Volt DC Electric Conversion Kit

Includes: Marco® 190 12-Volt DC Electric Control Assembly, Blastmaster® 151E Remote Control Switch, Electric Control Line, Battery Clamps, and various pipe fittings

*Note that due to the wide variety of blast pots you may need to purchase additional fittings, bushing, etc.*

# PART NUMBERS AND SCHEMATICS GUIDE



# PART NUMBERS AND SCHEMATICS GUIDE

## Pneumatic to 12-Volt DC Electric Conversion Kit

Item #	Part #	Description
--------	--------	-------------

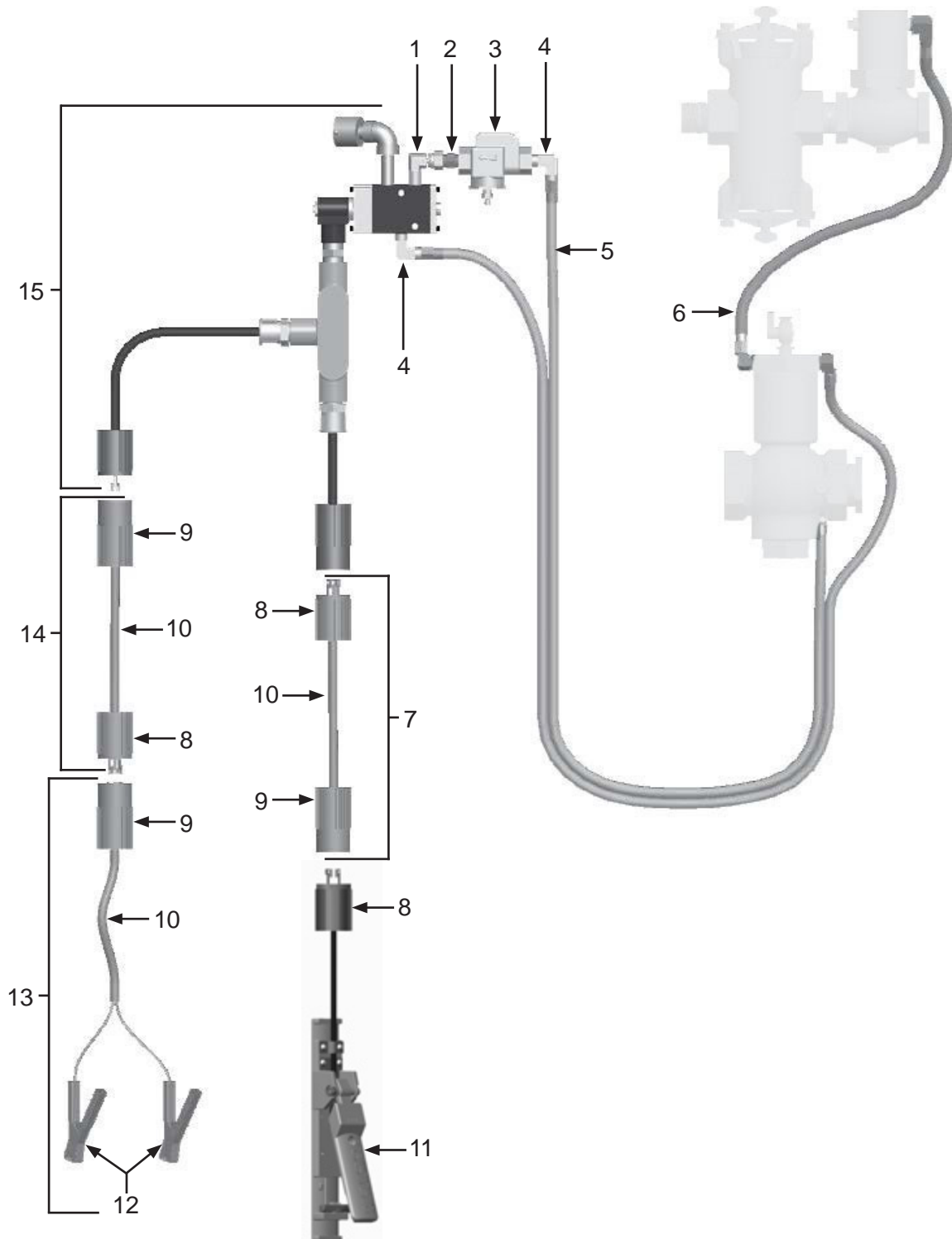
Fig. 1

—	1019061	Pneumatic to 12-Volt DC Electric Conversion Kit
1	1012326	1/4" NPT 90° Swivel Fitting
2	1017019	1/4" x 1/4" Hex Nipple
3	10WS	Watts Strainer
4	1012051	1/4" NPT Brass Elbow <i>(Two Required)</i>
5	10TL5	Coupled Pneumatic Control Line – 5 Feet
6	10CL18	Coupled Pneumatic Control Line – 18 Inches
7	1015542	50' of Electric Control Line with Male and Female Twist Lock Plugs <i>(Includes Item #'s: 6, 7, and 8 (Quantity of 50'))</i>
8	1015551	Two-Prong Twist-Lock Plug – Male
9	1015552	Two-Prong Twist-Lock Plug – Female
10	1015540	16/2 Electric Cord – Per Foot
11	1015100	Blastmaster® 151E Remote Control Switch
12	1030718	Battery Clamps – Pair
13	1015541	Battery Clamp Kit <i>(Includes Item #'s: 9, 10 (Quantity of 2'), and 12)</i>
14	1015543	25' of Power Cord with Male and Female Twist Lock Plugs <i>(Includes Item #'s: 8, 9, and 10 (Quantity of 25'))</i>
15	1019001	Marco® 190 12-Volt DC Electric Control Assembly – Complete

See page 36 for product literature

# PART NUMBERS AND SCHEMATICS GUIDE

Figure 1: Pneumatic to 12-Volt DC Electric Conversion Kit



## PART NUMBERS AND SCHEMATICS GUIDE

### PNEUMATIC TO 120-VOLT AC ELECTRIC CONVERSION KIT

<b>Part Numbers</b>	<b>Marco® 190 12-Volt AC Electric Control Assembly</b>	<b>Blastmaster® 151E Remote Control Switch</b>	<b>Blastmaster® 120-Volt AC to 12-Volt AC Power Converter</b>	<b>Electric Control Line (Includes Connectors)</b>
<b>1019062</b>	X	X	X	50 Ft.

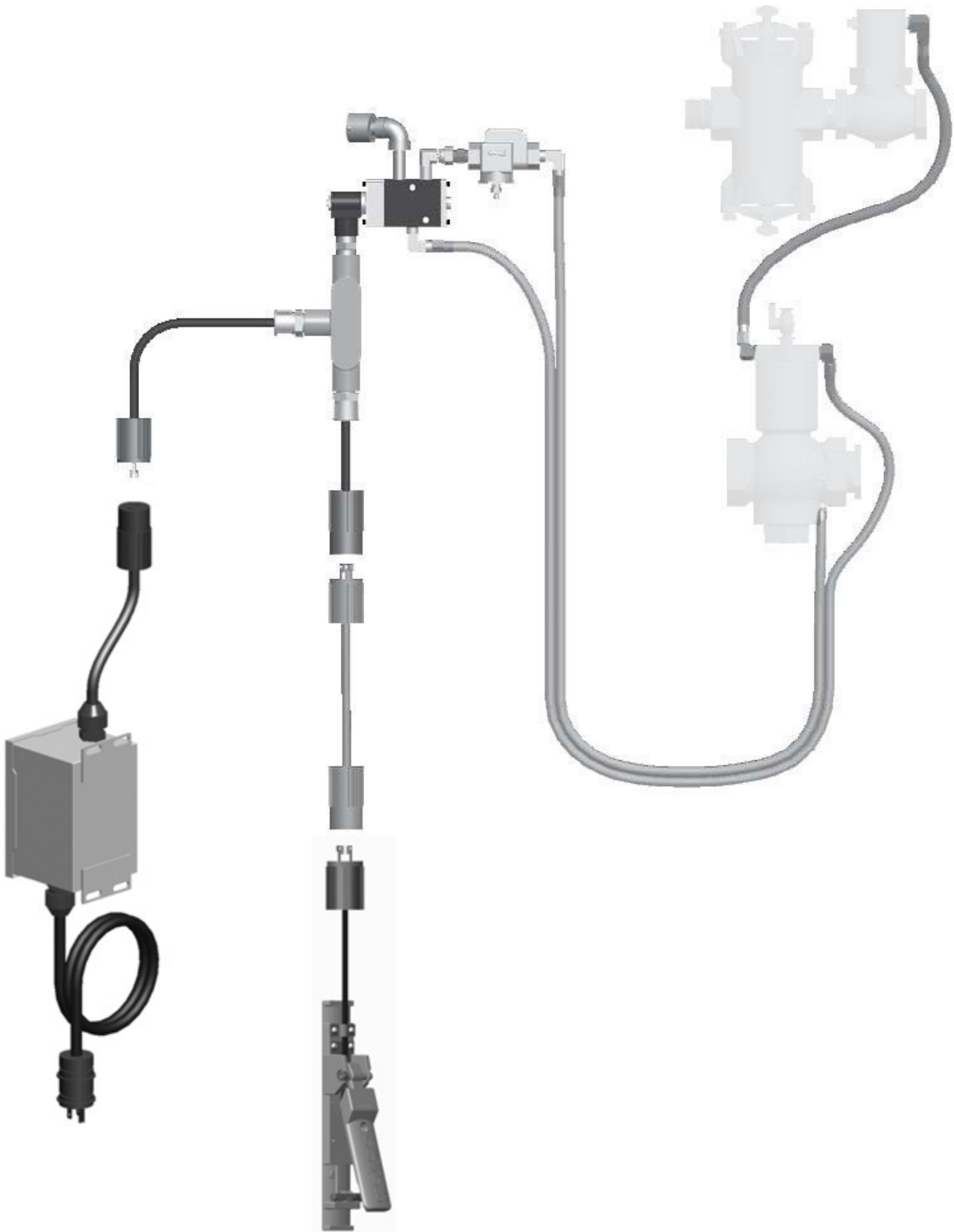
For converting Pneumatic to 120-Volt AC Electric Conversion Kit

Includes: Marco® 190 12-Volt AC Electric Control Assembly, Blastmaster® 151E Remote Control Switch, Electric Control Line, Power Converter, and various pipe fittings

*Note that due to the wide variety of blast pots you may need to purchase additional fittings, bushing, etc.*



# PART NUMBERS AND SCHEMATICS GUIDE



## PART NUMBERS AND SCHEMATICS GUIDE

### Pneumatic to 120-Volt AC Electric Conversion Kit

Item #	Part #	Description
--------	--------	-------------

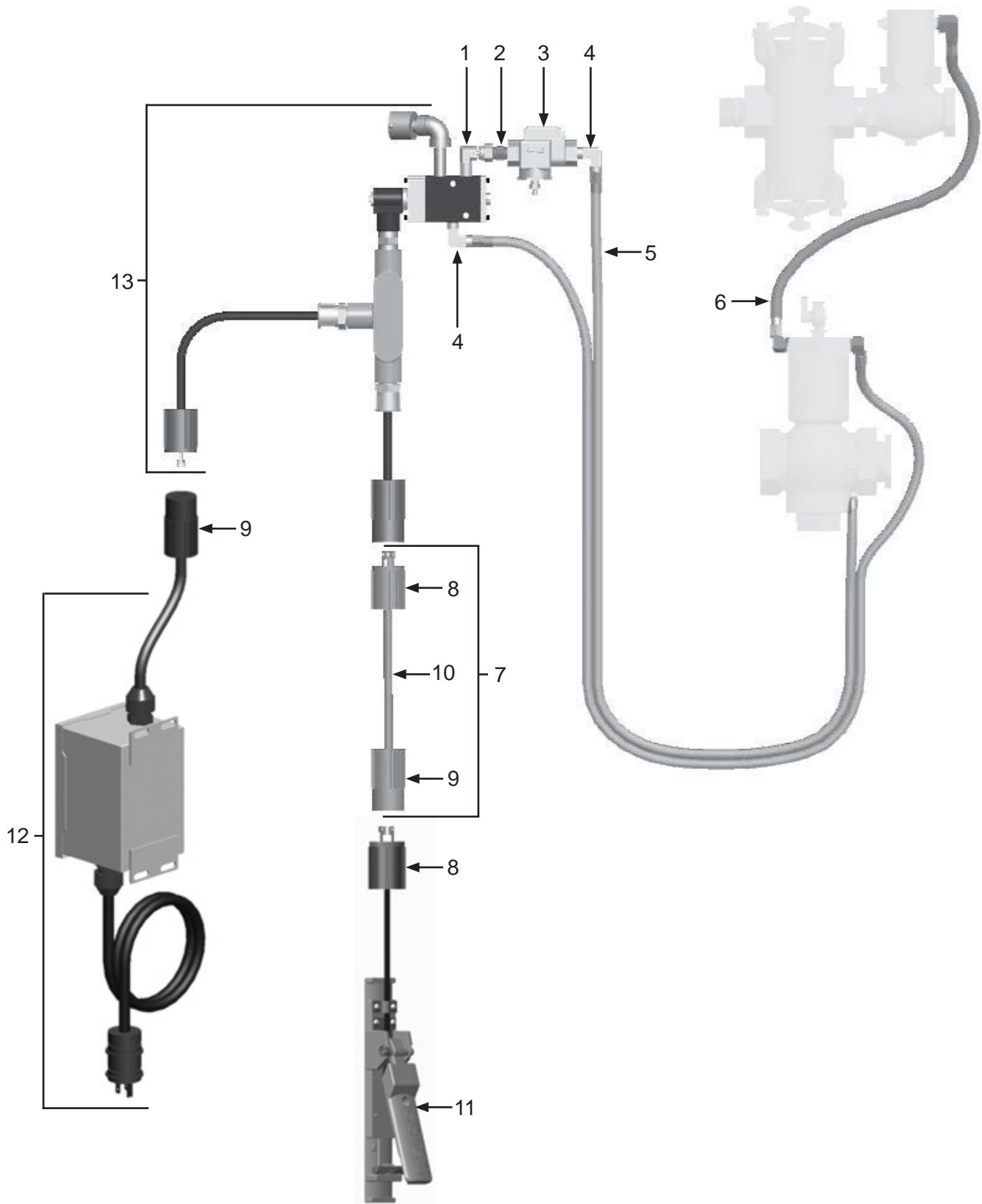
Fig. 2

—	<b>1019062</b>	<b>Pneumatic to 120-Volt AC Electric Conversion Kit</b>
1	1012326	1/4" NPT 90° Swivel Fitting
2	1017019	1/4" x 1/4" Hex Nipple
3	10WS	Watts Strainer
4	1012051	1/4" NPT Brass Elbow <i>(Two Required)</i>
5	10TL5	Coupled Pneumatic Control Line – 5 Feet
6	10CL18	Coupled Pneumatic Control Line – 18 Inches
7	1015542	50' of Electric Control Line with Male and Female Twist Lock Plugs <i>(Includes Item #'s: 8, 9, and 10 (Quantity of 50'))</i>
8	1015551	Two-Prong Twist-Lock Plug – Male
9	1015552	Two-Prong Twist-Lock Plug – Female
10	1015540	16/2 Electric Cord – Per Foot
11	1015100	Blastmaster® 151E Remote Control Switch
12	1030020	Blastmaster® 120-Volt AC to 12-Volt AC Power Converter
13	1019002	Marco® 190 12-Volt AC Electric Control Assembly – Complete

See page 36 for product literature

## PART NUMBERS AND SCHEMATICS GUIDE

Figure 2: Pneumatic to 120-Volt AC Electric Conversion Kit



## PART NUMBERS AND SCHEMATICS GUIDE

### COMPLETE 12-VOLT DC ELECTRIC CONVERSION KIT – 3.0 CU. FT. C-SERIES ABRASIVE BLASTING POT

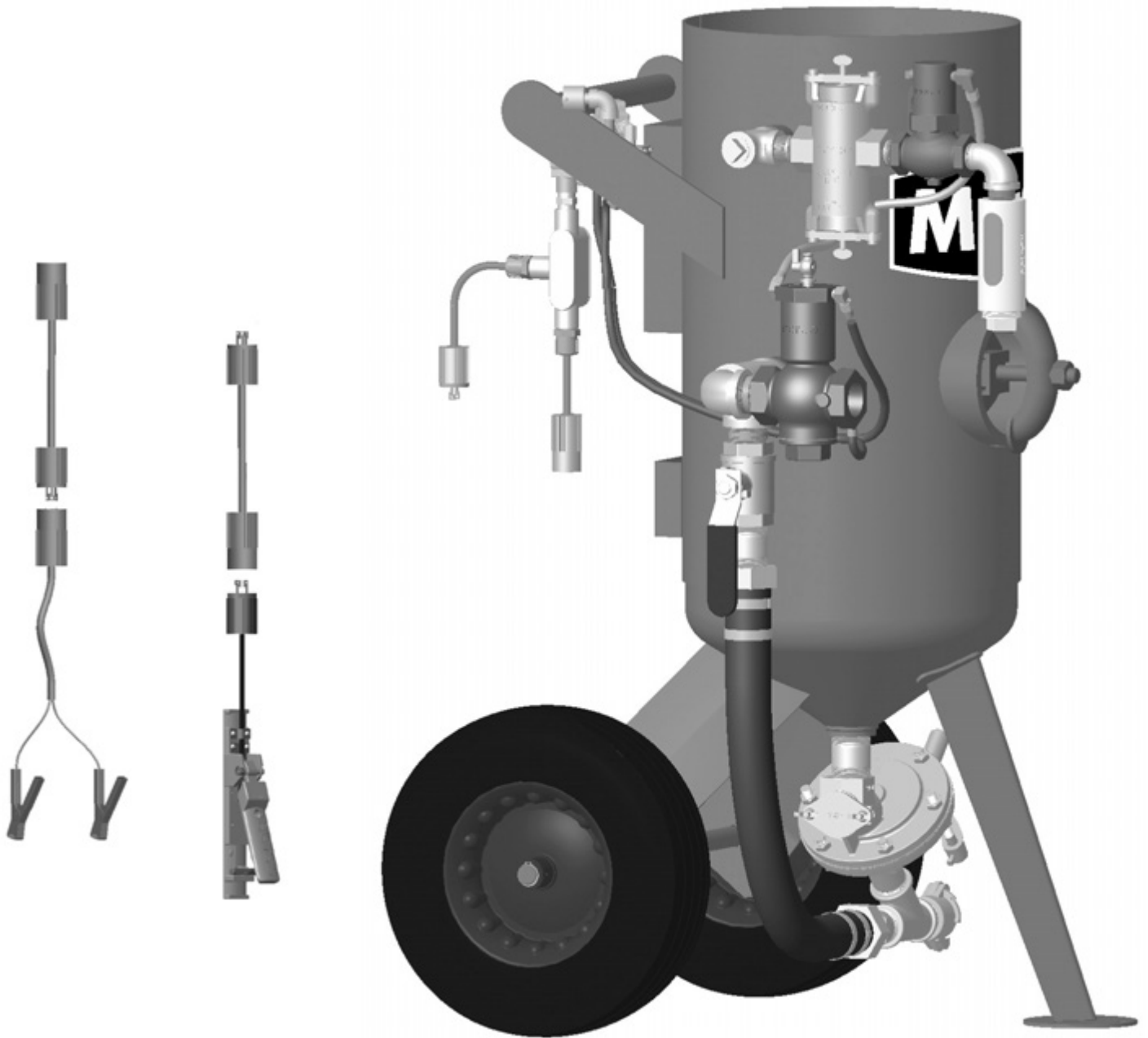
<b>Part Numbers</b>	<b>Marco® 190 12-Volt DC Electric Control Assembly</b>	<b>Blastmaster® Regulator Abrasive Metering Valve</b>	<b>Blastmaster® 151E Remote Control Switch</b>	<b>Electric Control Line <i>(Includes Connectors)</i></b>	<b>Power Cord <i>(Includes Connectors)</i></b>	<b>Battery Clamps</b>	<b>Abrasive Blasting Pot Muffler</b>
<b>10109172</b>	X	X	X	50 Ft.	25 Ft.	X	X

For converting bare pot to electric remote control system

Includes: Marco® 190 12-Volt DC Electric Control Assembly, Blastmaster® Regulator Abrasive Metering Valve, Blastmaster® 151E Remote Control Switch, Electric Control Line, Battery Clamp, Inlet Valve, Outlet Valve, and various pipe fittings

*Note that due to the wide variety of blast pots you may need to purchase additional fittings, bushing, etc.*

# PART NUMBERS AND SCHEMATICS GUIDE



## PART NUMBERS AND SCHEMATICS GUIDE

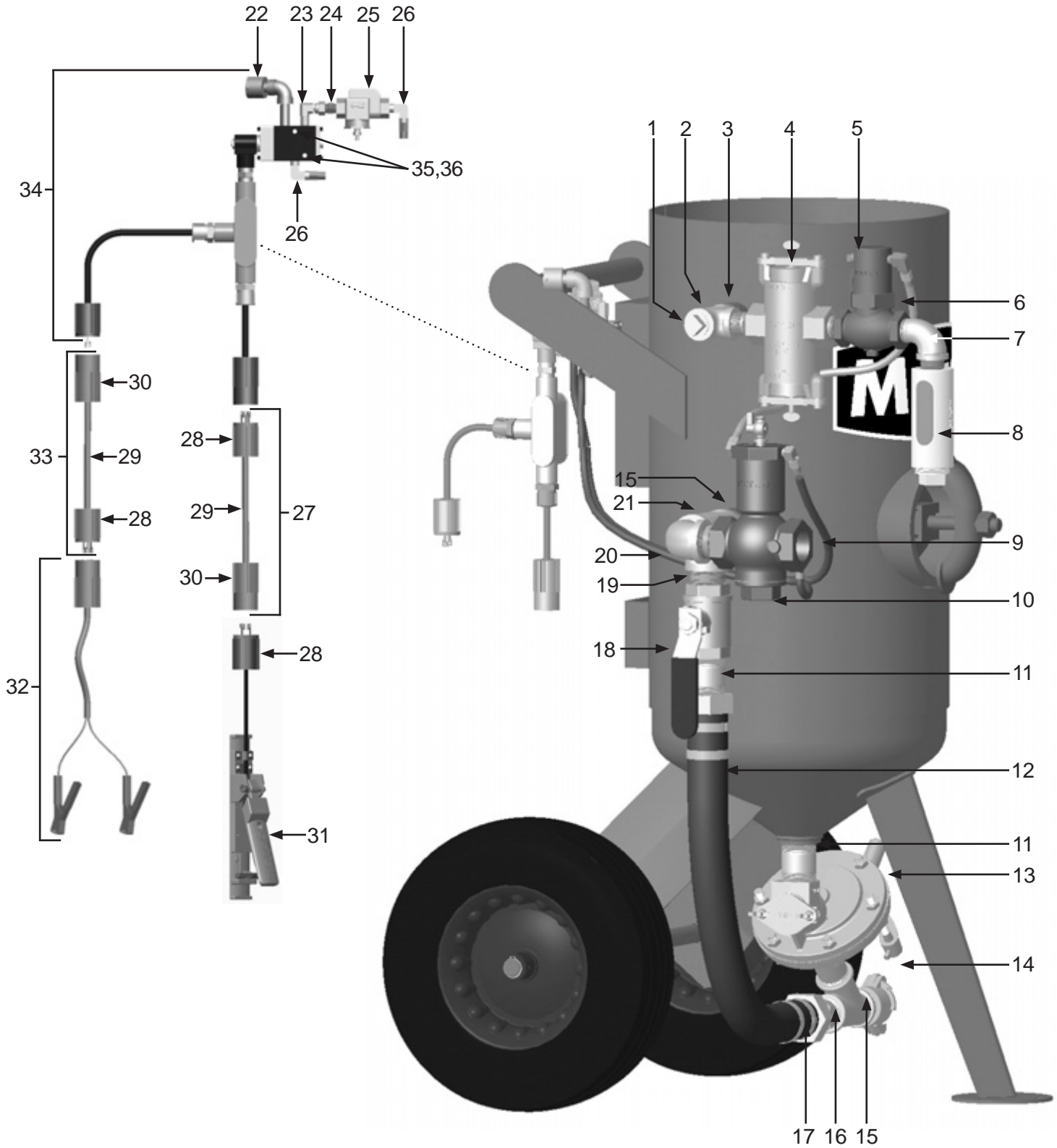
### Complete 12-Volt DC Electric Conversion Kit – 3.0 Cu. Ft. C-Series Abrasive Blasting Pot

Item #	Part #	Description
<b>Fig. 3</b>		
—	<b>10109172</b>	<b>Complete 12-Volt DC Electric Conversion Kit – 3.0 Cu. Ft. C-Series Abrasive Blasting Pot</b>
1	1011901	1" NPT Square Head Pipe Plug
2	1011816	1" NPT Pipe Tee
3	1012151	1" NPT Close Nipple
4	1012000	Abrasive Trap – Complete
5	1012050	1" Outlet Valve
6	10CL18	18" x 3/16" I.D. Single Control Line
7	1011801	1" NPT Street Elbow
8	1011100	Abrasive Blasting Pot Muffler – Complete
9	10TL5	Coupled Pneumatic Control Line – 5 Feet
10	1012200	1-1/2" Inlet Valve
11	1011203	1-1/2" x 3" Galvanized Nipple <i>(Two Required)</i>
12	1006312	1-1/2" I.D. Pusher Line Assembly
13	1014000	Blastmaster® Regulator Abrasive Metering Valve
14	10SB1	1-1/4" Brass Tank Coupling
15	1011201	1-1/4" Galvanized Close Nipple
16	1011206	1-1/4" x 2-1/2" Galvanized Nipple
17	1011501	1-1/2" (M) x 1-1/4" (F) Galvanized Hex Bushing
18	1011603	1-1/2" Full Port Ball Valve
19	1014015	1-1/2" Galvanized Close Nipple
20	1011839	1-1/2" 90° Galvanized Street Elbow
21	1011833	1-1/4" x 1-1/2" x 1-1/2" Galvanized Pipe Tee
22	10DE025	1/4" Dust Eliminator
23	1012326	1/4" NPT 90° Swivel
24	1017019	1/4" x 1/4" Hex Nipple
25	10WS	Watts Strainer
26	1012051	1/4" NPT Brass Elbow <i>(Two Required)</i>
27	1015542	50' of Electric Control Line with Male and Female Twist-Lock Plugs <i>(Includes Item #'s: 28, 29, and 30)</i>
28	1015551	Two-Prong Twist Lock Plug – Male
29	1015540	16/2 Electric Cord – Per Foot
30	1015552	Two-Prong Twist Lock Plug – Female
31	1015100	Blastmaster® 151E Remote Control Switch
32	1015541	Battery Clamps with 2' 16/2 SJ Electric Cord
33	1015543	25' of Power Cord with Male and Female Twist-Lock Plugs <i>(Includes Item #'s: 28, 29, and 30)</i>
34	1019001	Marco® 190 12-Volt DC Electric Control Assembly – Complete
35	1019044	1/4-20 X 1-3/4" Zinc Bolt
36	1012323	1/4"-20 Zinc Lock Nut

See page 36 for product literature

## PART NUMBERS AND SCHEMATICS GUIDE

Figure 3: Complete 12-Volt DC Electric Conversion Kit – 3.0 Cu. Ft. C-Series Abrasive Blasting Pot



## PART NUMBERS AND SCHEMATICS GUIDE

### COMPLETE 120-VOLT AC ELECTRIC CONVERSION KIT – 3.0 CU. FT. C-SERIES ABRASIVE BLASTING POT

<b>Part Numbers</b>	<b>Marco® 190 12-Volt AC Electric Control Assembly</b>	<b>Blastmaster® Regulator Abrasive Metering Valve</b>	<b>Blastmaster® 151E Remote Control Switch</b>	<b>Blastmaster® 120-Volt AC to 12-Volt AC Power Converter</b>	<b>Electric Control Line <i>(Includes Connectors)</i></b>	<b>Abrasive Blasting Pot Muffler</b>
10109173	X	X	X	X	50 Ft.	X

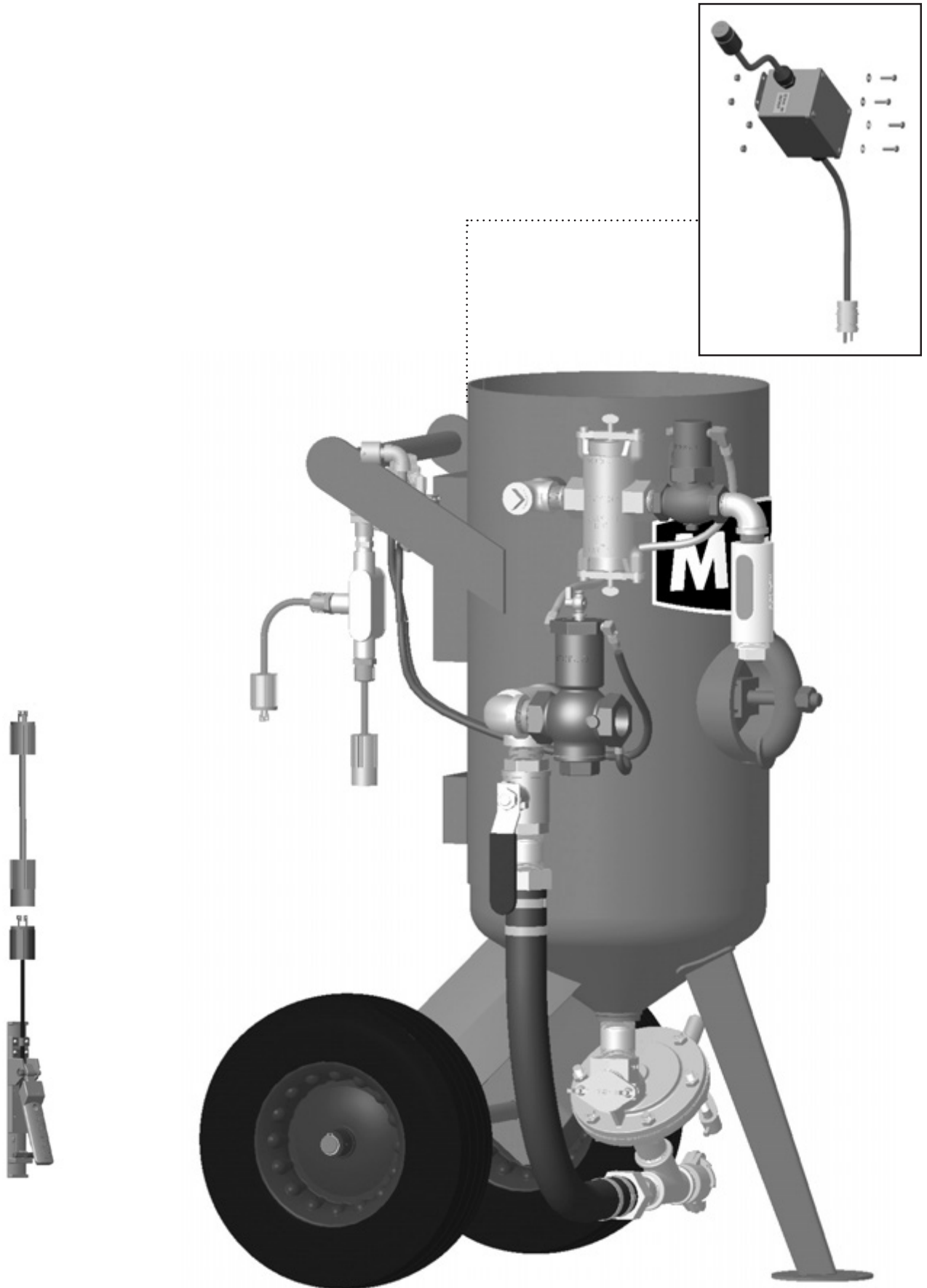
For converting bare pot to electric remote control system

Includes: Marco® 190 12-Volt AC Electric Control Assembly, Blastmaster® Regulator Abrasive Metering Valve, Blastmaster® 151E Remote Control Switch, Electric Control Line, Power Converter, Inlet Valve, Outlet Valve, and various pipe fittings

*Note that due to the wide variety of blast pots you may need to purchase additional fittings, bushing, etc.*



# PART NUMBERS AND SCHEMATICS GUIDE



## PART NUMBERS AND SCHEMATICS GUIDE

### Complete 120-Volt AC Electric Conversion Kit – 3.0 Cu. Ft. C-Series Abrasive Blasting Pot

Item #	Part #	Description
--------	--------	-------------

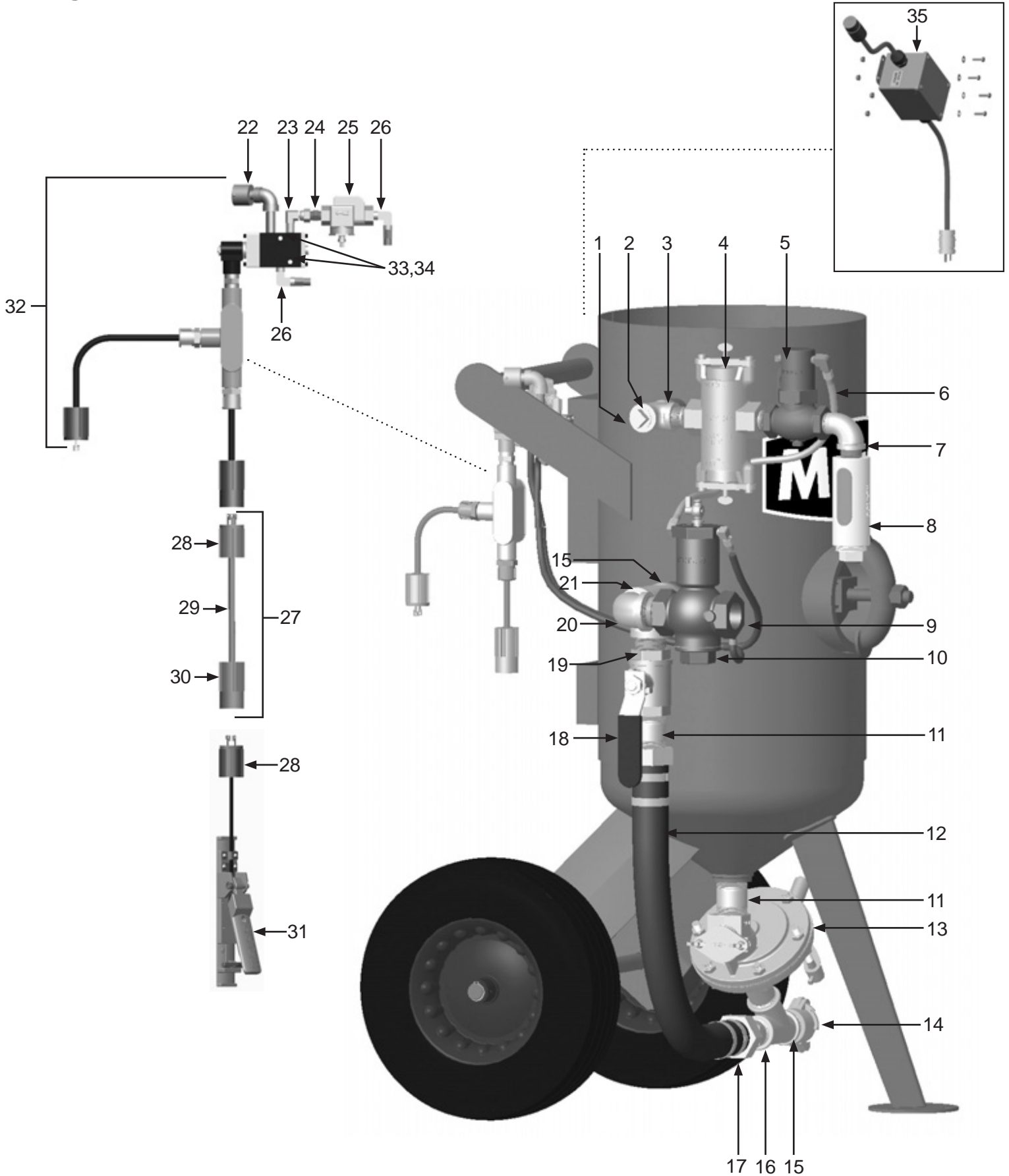
**Fig. 4**

—	<b>10109173</b>	<b>Complete 120-Volt AC Electric Conversion Kit – 3.0 Cu. Ft. C-Series Abrasive Blasting Pot</b>
1	1011901	1" NPT Square Head Pipe Plug
2	1011816	1" NPT Pipe Tee
3	1012151	1" NPT Close Nipple
4	1012000	Abrasive Trap – Complete
5	1012050	1" Outlet Valve
6	10CL18	18" x 3/16" I.D. Single Control Line
7	1011801	1" NPT Street Elbow
8	1011100	Abrasive Blasting Pot Muffler – Complete
9	10TL5	Coupled Pneumatic Control Line – 5 Feet
10	1012200	1-1/2" Inlet Valve
11	1011203	1-1/2" x 3" Galvanized Nipple <i>(Two Required)</i>
12	1006312	1-1/2" I.D. Pusher Line Assembly
13	1014000	Blastmaster® Regulator Abrasive Metering Valve
14	10SB1	1-1/4" Brass Tank Coupling
15	1011201	1-1/4" Galvanized Close Nipple <i>(Two Required)</i>
16	1011206	1-1/4" x 2-1/2" Galvanized Nipple
17	1011501	1-1/2" (M) x 1-1/4" (F) Galvanized Hex Bushing
18	1011603	1-1/2" Full Port Ball Valve
19	1014015	1-1/2" Galvanized Close Nipple
20	1011839	1-1/2" 90° Galvanized Street Elbow
21	1011833	1-1/4" x 1-1/2" x 1-1/2" Galvanized Pipe Tee
22	10DE025	1/4" Dust Eliminator
23	1012326	1/4" NPT 90° Swivel
24	1017019	1/4" x 1/4" Hex Nipple
25	10WS	Watts Strainer
26	1012051	1/4" NPT Brass Elbow <i>(Two Required)</i>
27	1015542	50' of Electric Control Line with Male and Female Twist-Lock Plugs <i>(Includes Item #'s: 28, 29, and 30)</i>
28	1015551	Two-Prong Twist Lock Plug – Male
29	1015540	16/2 Electric Cord – Per Foot
30	1015552	Two-Prong Twist Lock Plug – Female
31	1015100	Blastmaster® 151E Remote Control Switch
32	1019002	Marco® 190 12-Volt AC Electric Control Assembly – Complete
33	1019044	1/4-20 X 1-3/4" Zinc Bolt <i>(Two Required)</i>
34	1012323	1/4–20 Zinc Lock Nut with Nylon Insert <i>(Two Required)</i>
35	1030020	Blastmaster® 120-Volt AC to 12-Volt AC Power Converter

See page 36 for product literature

# PART NUMBERS AND SCHEMATICS GUIDE

Figure 4: Complete 120-Volt AC Electric Conversion Kit – 3.0 Cu. Ft. C-Series Abrasive Blasting Pot



## PART NUMBERS AND SCHEMATICS GUIDE

### 12-VOLT DC ELECTRIC CONVERSION KITS – 3.5 AND 6.5 CU. FT. M-SERIES ABRASIVE BLASTING POTS

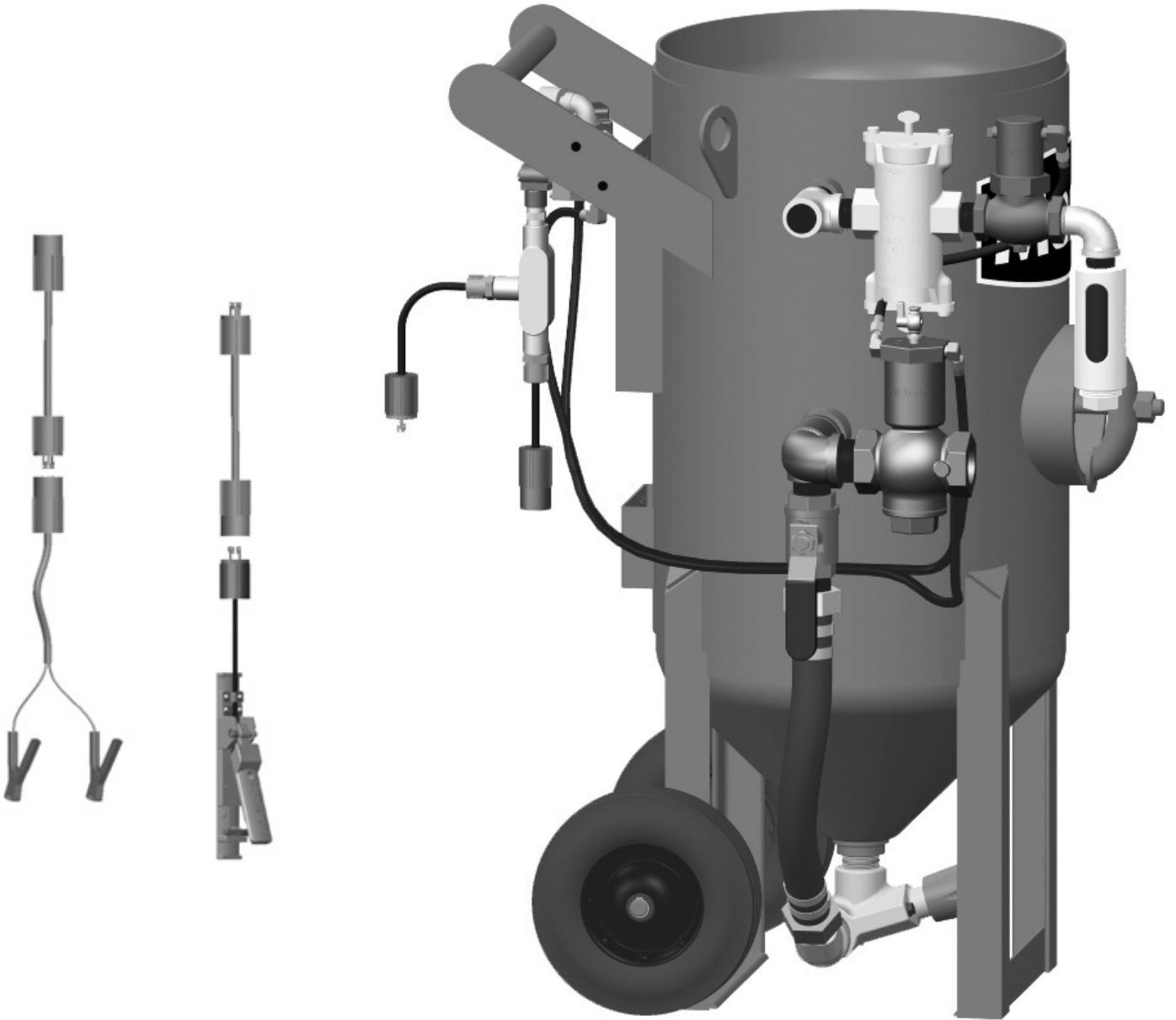
<b>Part Numbers</b>	<b>12-Volt DC 190 Electric Control Assembly</b>	<b>Blastmaster® 1-1/2" Bantam Abrasive Metering Valve</b>	<b>Blastmaster® 1-1/4" Bantam Abrasive Metering Valve</b>	<b>Blastmaster® 151E Remote Control Switch</b>	<b>1-1/2" Inlet Valve</b>	<b>1" Outlet Valve</b>	<b>Abrasive Trap</b>	<b>Power Cord - 25 Ft. (to power source)</b>	<b>Power Cord - 50 Ft. (to remote control switch)</b>	<b>Battery Clamps</b>	<b>Abrasive Blasting Pot Muffler</b>
<b>1012566</b>	X	X		X	X	X	X	1015543	1015542	X	X
<b>1012561</b>	X		X	X	X	X	X	1015543	1015542	X	X

For converting bare pot to electric remote control system

Includes: Marco® 190 12-Volt DC Electric Control Assembly, Blastmaster® Bantam Abrasive Metering Valve, Blastmaster® 151E Remote Control Switch, Electric Control Line, Battery Clamp, Inlet Valve, Outlet Valve, and various pipe fittings

*Note that due to the wide variety of blast pots you may need to purchase additional fittings, bushing, etc.*

## PART NUMBERS AND SCHEMATICS GUIDE



## PART NUMBERS AND SCHEMATICS GUIDE

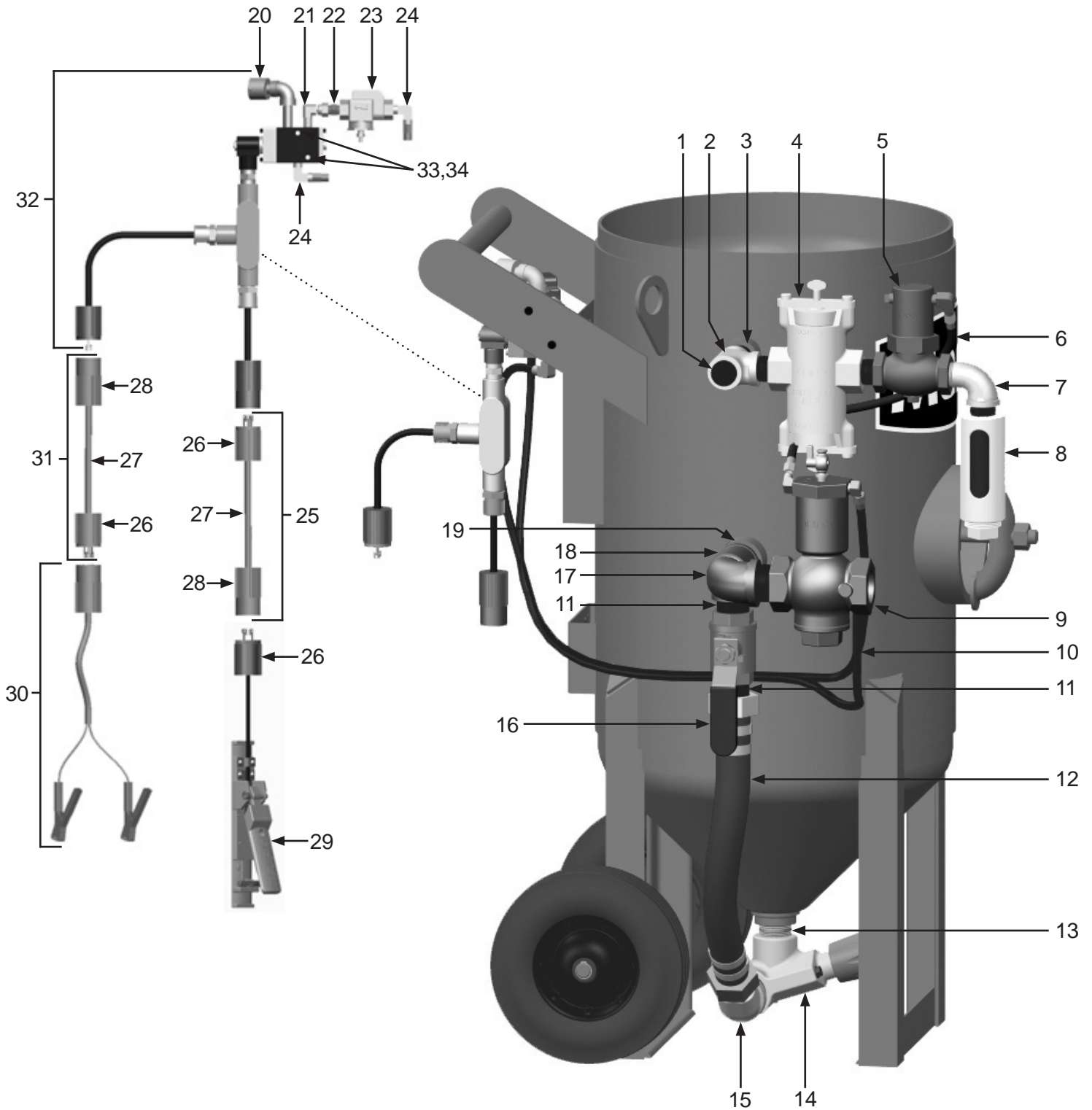
### Complete 12-Volt DC Electric Conversion Kit – 3.5 and 6.5 Cu Ft. M-Series Abrasive Blasting Pots

Item #	Part #	Description
<b>Fig. 5</b>		
—	1012561	125E 12-Volt DC Electric Conversion Kit – 1-1/4" Bantam Abrasive Metering Valve
—	1012566	125E 12-Volt DC Electric Conversion Kit – 1-1/2" Bantam Abrasive Metering Valve
1	1011901	1" NPT Square Head Pipe Plug
2	1011816	1" NPT Pipe Tee
3	1011843	1" x 2-1/2" NPT Close Nipple
4	1012000	Abrasive Trap – Complete
5	1012050	1" Outlet Valve
6	10CL18	18" x 3/16" I.D. Single Control Line
7	1011801	1" NPT Street Elbow
8	1011100	Abrasive Blasting Pot Muffler – Complete
9	1012200	1-1/2" Inlet Valve – Complete
10	10TL040	Coupled Pneumatic Control Line – 4 Feet
11	1011201	1-1/4" NPT Close Nipple <i>(For use with 1012561)</i>
	1014015	1-1/2" NPT Close Nipple <i>(For use with 1012566)</i>
12	1006311	1-1/4" I.D. Pusher Line Assembly <i>(For use with 1012561)</i>
	1006312	1-1/2" I.D. Pusher Line Assembly <i>(For use with 1012566)</i>
13	1011201	1-1/4" NPT Close Nipple
14	1014101	Blastmaster® 1-1/4" Bantam Abrasive Metering Valve – Complete <i>(For use with 1012561)</i>
	1014102	Blastmaster® 1-1/2" Bantam Abrasive Metering Valve – Complete <i>(For use with 1012566)</i>
15	1011830	1-1/4" 45° Street Elbow <i>(For use with 1012561)</i>
	1011805	1-1/2" 45° Street Elbow <i>(For use with 1012566)</i>
16	1011602	1-1/4" NPT Full Port Ball Valve
	1011603	1-1/2" NPT Full Port Ball Valve
17	1011839	1-1/2" NPT Street Elbow
18	1011834	1-1/2" x 1-1/4" x 1-1/4" Pipe Tee <i>(For use with 1012561)</i>
	1011833	1-1/4" x 1-1/2" x 1-1/2" Pipe Tee <i>(For use with 1012566)</i>
19	1011201	1-1/4" NPT Close Nipple
20	10DE025	1/4" Dust Eliminator
21	1012326	1/4" NPT 90° Swivel
22	1017019	1/4" x 1/4" Hex Nipple
23	10WS	Watts Strainer
24	1012051	1/4" NPT Brass Elbow <i>(Two Required)</i>
25	1015542	50' of Electric Control Line with Male and Female Twist-Lock Plugs <i>(Includes Item #'s: 26, 27, and 28)</i>
26	1015551	Two-Prong Twist Lock Plug – Male
27	1015540	16/2 Electric Cord – Per Foot
28	1015552	Two-Prong Twist Lock Plug – Female
29	1015100	Blastmaster® 151E Remote Control Switch
30	1015541	Battery Clamps with 2' 16/2 SJ Electric Cord
31	1015543	25' of Power Cord with Male and Female Twist-Lock Plugs <i>(Includes Item #'s: 26, 27, and 28)</i>
32	1019001	Marco® 190 12-Volt DC Electric Control Assembly – Complete
33	1019044	1/4-20 X 1-3/4" Zinc Bolt <i>(Two Required)</i>
34	1012323	1/4-20 Zinc Lock Nut with Nylon Insert <i>(Two Required)</i>

See page 36 for product literature

## PART NUMBERS AND SCHEMATICS GUIDE

Figure 5: Complete 12-Volt DC Electric Conversion Kit – 3.5 and 6.5 Cu. Ft. M-Series Abrasive Blasting Pots



## PART NUMBERS AND SCHEMATICS GUIDE

### 120-VOLT AC ELECTRIC CONVERSION KITS – 3.5 AND 6.5 CU. FT. M-SERIES ABRASIVE BLASTING POTS

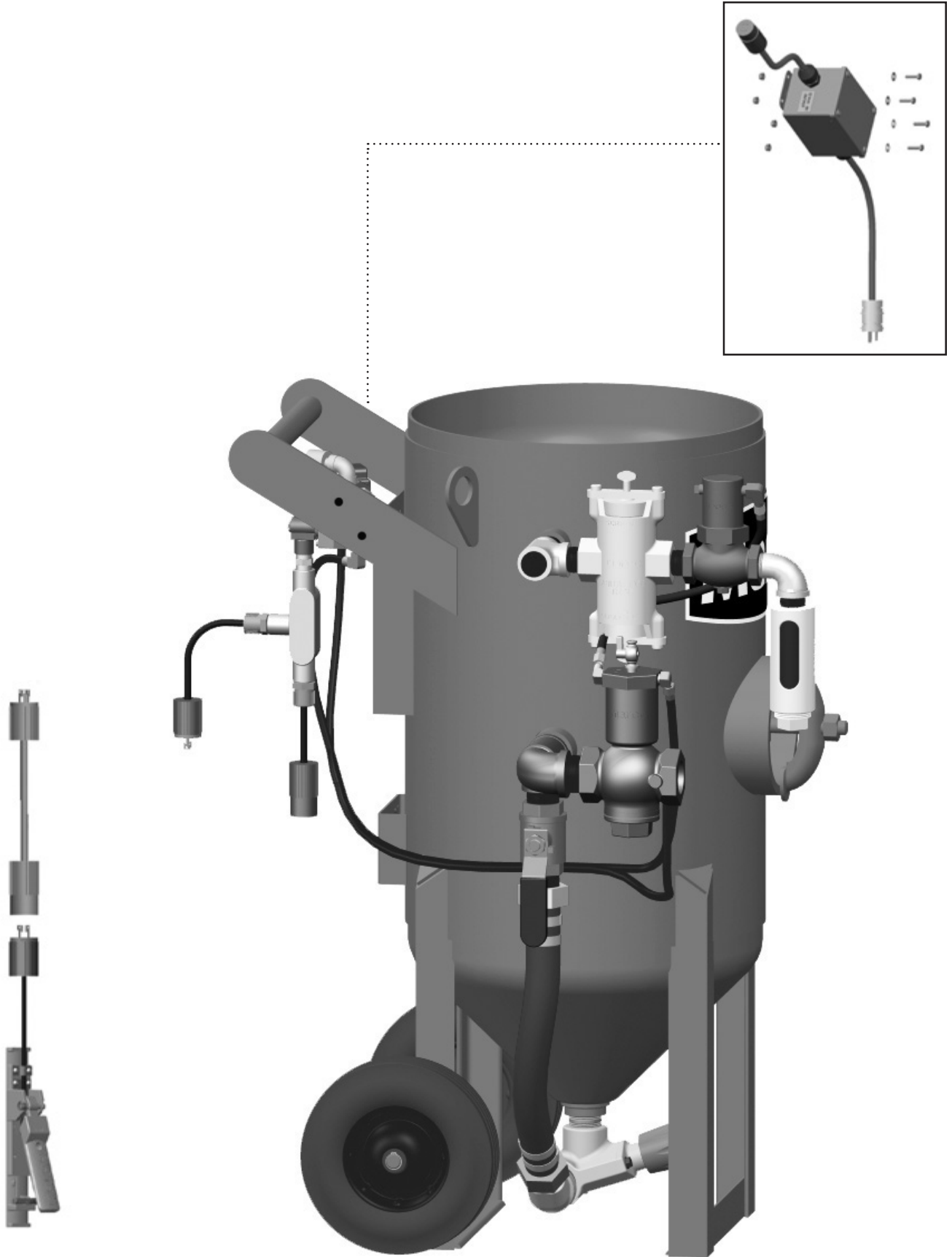
<b>Part Numbers</b>	12-Volt AC 190 Electric Control Assembly	Blastmaster® 1-1/2" Bantam Abrasive Metering Valve	Blastmaster® 1-1/4" Bantam Abrasive Metering Valve	Blastmaster® 151E Remote Control Switch	1-1/2" Inlet Valve	1" Outlet Valve	Abrasive Trap	Power Cord - 50 Ft. <i>(to remote control switch)</i>	Blastmaster® 120-Volt AC to 12-Volt AC Power Converter	Abrasive Blasting Pot Muffler
<b>1012567</b>	X	X		X	X	X	X	1015542	X	X
<b>1012562</b>	X		X	X	X	X	X	1015542	X	X

For converting bare pot to electric remote control system

Includes: 12-Volt AC 190 Electric Control Assembly, Blastmaster® Bantam Abrasive Metering Valve, Blastmaster® 151E Remote Control Switch, Electric Control Line, Power Converter, Inlet Valve, Outlet Valve, and various pipe fittings



# PART NUMBERS AND SCHEMATICS GUIDE



## PART NUMBERS AND SCHEMATICS GUIDE

### Complete Complete 120-Volt AC Electric Conversion Kit – 3.5 and 6.5 Cu. Ft. M-Series Abrasive Blasting Pots

#### Item # Part # Description

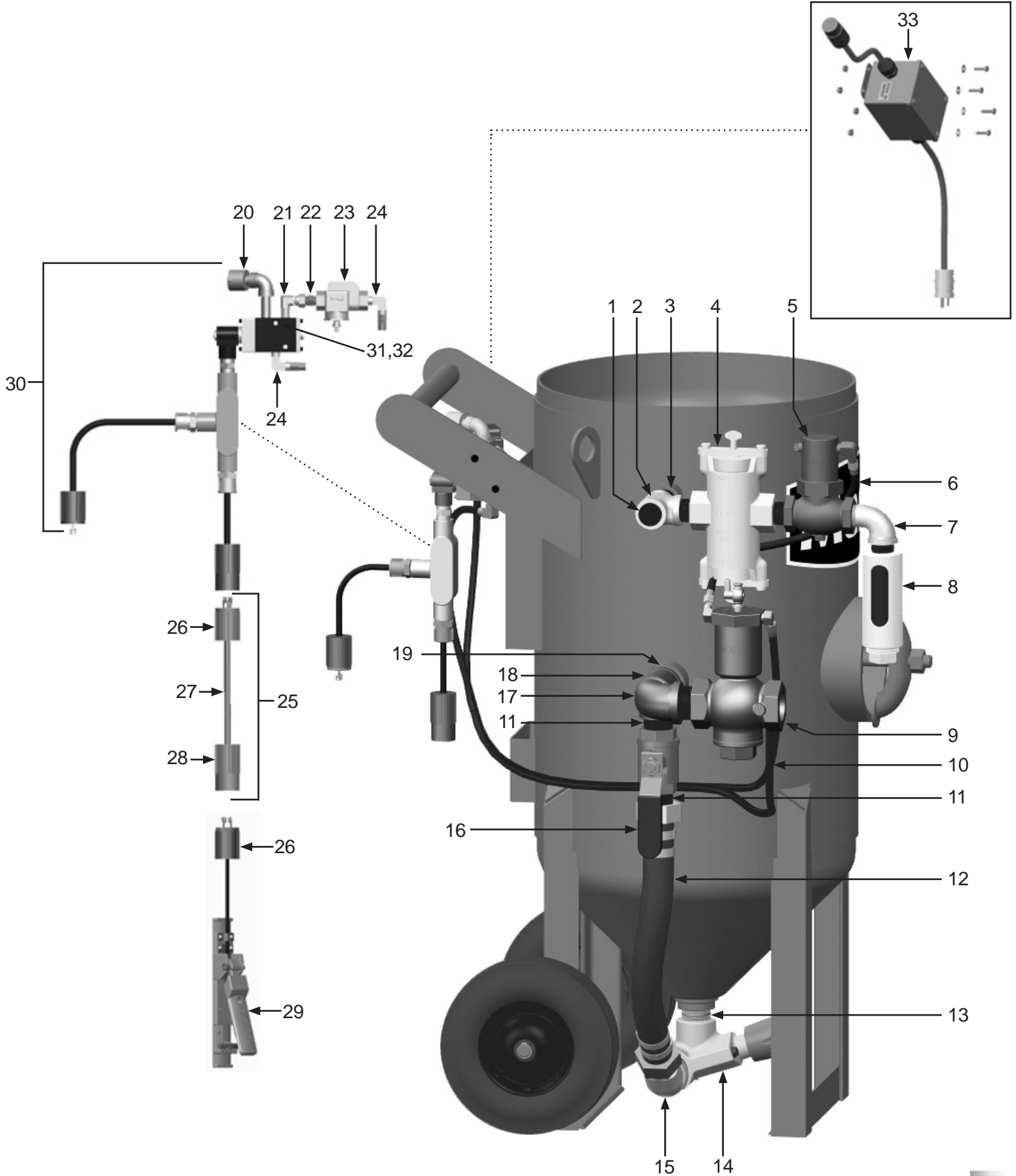
#### Fig. 6

—	<b>1012562</b>	<b>125E 120-Volt AC Electric Conversion Kit – 1-1/4" Bantam Abrasive Metering Valve</b>
—	<b>1012567</b>	<b>125E 120-Volt AC Electric Conversion Kit – 1-1/2" Bantam Abrasive Metering Valve</b>
1	1011901	1" NPT Square Head Pipe Plug
2	1011816	1" NPT Pipe Tee
3	1011843	1" x 2-1/2" NPT Close Nipple
4	1012000	Abrasive Trap – Complete
5	1012050	1" Outlet Valve
6	10CL18	18" x 3/16" I.D. Single Control Line
7	1011801	1" NPT Street Elbow
8	1011100	Abrasive Blasting Pot Muffler – Complete
9	1012200	1-1/2" Inlet Valve – Complete
10	10TL040	Coupled Pneumatic Control Line – 4 Feet
11	1011201	1-1/4" NPT Close Nipple <i>(For use with 1012561)</i>
	1014015	1-1/2" NPT Close Nipple <i>(For use with 1012566)</i>
12	1006311	1-1/4" I.D. Pusher Line Assembly <i>(For use with 1012561)</i>
	1006312	1-1/2" I.D. Pusher Line Assembly <i>(For use with 1012566)</i>
13	1011201	1-1/4" NPT Close Nipple
14	1014101	Blastmaster® 1-1/4" Bantam Abrasive Metering Valve – Complete <i>(For use with 1012561)</i>
	1014102	Blastmaster® 1-1/2" Bantam Abrasive Metering Valve – Complete <i>(For use with 1012566)</i>
15	1011830	1-1/4" 45° Street Elbow <i>(For use with 1012561)</i>
	1011805	1-1/2" 45° Street Elbow <i>(For use with 1012566)</i>
16	1011602	1-1/4" NPT Full Port Ball Valve
	1011603	1-1/2" NPT Full Port Ball Valve
17	1011839	1-1/2" NPT Street Elbow
18	1011834	1-1/2" x 1-1/4" x 1-1/4" Pipe Tee <i>(For use with 1012561)</i>
	1011833	1-1/4" x 1-1/2" x 1-1/2" Pipe Tee <i>(For use with 1012566)</i>
19	1011201	1-1/4" NPT Close Nipple
20	10DE025	1/4" Dust Eliminator
21	1012326	1/4" NPT 90° Swivel
22	1017019	1/4" x 1/4" Hex Nipple
23	10WS	Watts Strainer
24	1012051	1/4" NPT Brass Elbow <i>(Two Required)</i>
25	1015542	50' of Electric Control Line with Male and Female Twist-Lock Plugs <i>(Includes Item #'s: 26, 27, and 28)</i>
26	1015551	Two-Prong Twist Lock Plug – Male
27	1015540	16/2 Electric Cord – Per Foot
28	1015552	Two-Prong Twist Lock Plug – Female
29	1015100	Blastmaster® 151E Remote Control Switch
30	1019002	Marco® 190 12-Volt AC Electric Control Assembly – Complete
31	1019044	1/4-20 X 1-3/4" Zinc Bolt <i>(Two Required)</i>
32	1012323	1/4–20 Zinc Lock Nut with Nylon Insert <i>(Two Required)</i>
33	1030020	Blastmaster® 120-Volt AC to 12-Volt AC Power Converter

See page 36 for product literature

## PART NUMBERS AND SCHEMATICS GUIDE

Figure 6: Complete 120-Volt AC Electric Conversion Kit – 3.5 and 6.5 Cu. Ft. M-Series Abrasive Blasting Pots



## PART NUMBERS AND SCHEMATICS GUIDE

### COMPLETE 12-VOLT DC ELECTRIC CONVERSION KIT – 6.0 CU. FT. C-SERIES ABRASIVE BLASTING POT

<b>Part Numbers</b>	<b>Marco® 190 12-Volt DC Electric Control Assembly</b>	<b>Blastmaster® Regulator Abrasive Metering Valve</b>	<b>Blastmaster® 151E Remote Control Switch</b>	<b>Electric Control Line <i>(Includes Connectors)</i></b>	<b>Power Cord <i>(Includes Connectors)</i></b>	<b>Battery Clamps</b>	<b>Abrasive Blasting Pot Muffler</b>
<b>10109175</b>	X	X	X	50 Ft.	25 Ft.	X	X

For converting bare pot to electric remote control system

Includes: Marco® 190 12-Volt DC Electric Control Assembly, Blastmaster® Regulator Abrasive Metering Valve, Blastmaster® 151E Remote Control Switch, Electric Control Line, Battery Clamp, Inlet Valve, Outlet Valve, and various pipe fittings

*Note that due to the wide variety of blast pots you may need to purchase additional fittings, bushing, etc.*

## PART NUMBERS AND SCHEMATICS GUIDE



## PART NUMBERS AND SCHEMATICS GUIDE

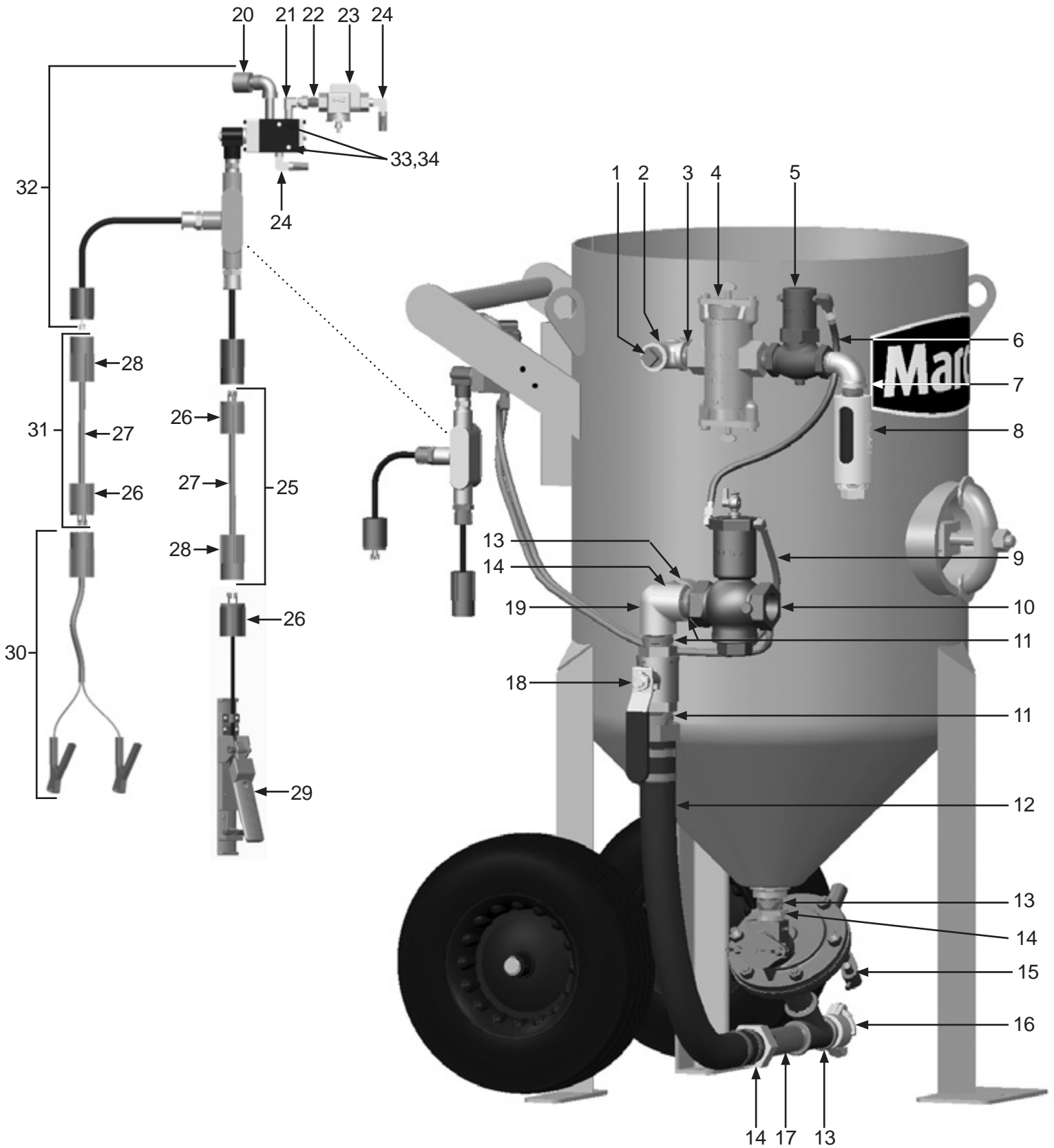
### Complete 12-Volt DC Electric Conversion Kit – 6.0 Cu. Ft. C-Series Abrasive Blasting Pot

Item #	Part #	Description
<b>Fig. 7</b>		
—	<b>10109175</b>	<b>Complete 12-Volt DC Electric Conversion Kit – 6.0 Cu. Ft. C-Series Abrasive Blasting Pot</b>
1	1011901	1" NPT Square Head Pipe Plug
2	1011816	1" NPT Pipe Tee
3	1012151	1" Galvanized Close Nipple
4	1012000	Abrasive Trap – Complete
5	1012050	1" Outlet Valve
6	10CL18	18" x 3/16" I.D. Single Control Line
7	1011801	1" NPT Street Elbow
8	1011100	Abrasive Blasting Pot Muffler – Complete
9	10TL40	Coupled Pneumatic Control Line – 4 Feet
10	1012200	1-1/2" Inlet Valve
11	1014015	1-1/2" Close Nipple <i>(Two Required)</i>
12	1006312	1-1/2" I.D. Pusher Line Assembly
13	1011201	1-1/4" NPT Close Nipple <i>(Three Required)</i>
14	1011501	1-1/2" (M) x 1-1/4" (F) Galvanized Hex Bushing <i>(Three Required)</i>
15	1014000	Blastmaster® Regulator Abrasive Metering Valve
16	10SB1	1-1/4" Brass Tank Coupling
17	1011202	1-1/4" x 6" Galvanized Nipple
18	1011603	1-1/2" Full Port Ball Valve
19	1011804	1-1/2" 90° Elbow with Side-Out
20	10DE025	1/4" Dust Eliminator
21	1012326	1/4" NPT 90° Swivel
22	1017019	1/4" x 1/4" Hex Nipple
23	10WS	Watts Strainer
24	1012051	1/4" NPT Brass Elbow <i>(Two Required)</i>
25	1015542	50' of Electric Control Line with Male and Female Twist-Lock Plugs <i>(Includes Item #'s: 26, 27, and 28)</i>
26	1015551	Two-Prong Twist Lock Plug – Male
27	1015540	16/2 Electric Cord – Per Foot
28	1015552	Two-Prong Twist Lock Plug – Female
29	1015100	Blastmaster® 151E Remote Control Switch
30	1015541	Battery Clamps with 2' 16/2 SJ Electric Cord
31	1015543	25' of Power Cord with Male and Female Twist-Lock Plugs <i>(Includes Item #'s: 26, 27, and 28)</i>
32	1019001	Marco® 190 12-Volt DC Electric Control Assembly – Complete
33	1019044	1/4-20 X 1-3/4" Zinc Bolt <i>(Two Required)</i>
34	1012323	1/4-20 Zinc Lock Nut with Nylon Insert <i>(Two Required)</i>

See page 36 for product literature

## PART NUMBERS AND SCHEMATICS GUIDE

**Figure 7: Complete 12-Volt DC Electric Conversion Kit – 6.0 Cu. Ft. C-Series Abrasive Blasting Pot**



## PART NUMBERS AND SCHEMATICS GUIDE

### COMPLETE 120-VOLT AC ELECTRIC CONVERSION KIT – 6.0 CU. FT. C-SERIES ABRASIVE BLASTING POT

<b>Part Numbers</b>	<b>Marco® 190 12-Volt AC Electric Control Assembly</b>	<b>Blastmaster® Regulator Abrasive Metering Valve</b>	<b>Blastmaster® 151E Remote Control Switch</b>	<b>Blastmaster® 120-Volt AC to 12-Volt AC Power Converter</b>	<b>Electric Control Line <i>(Includes Connectors)</i></b>	<b>Abrasive Blasting Pot Muffler</b>
<b>10109176</b>	X	X	X	X	50 Ft.	X

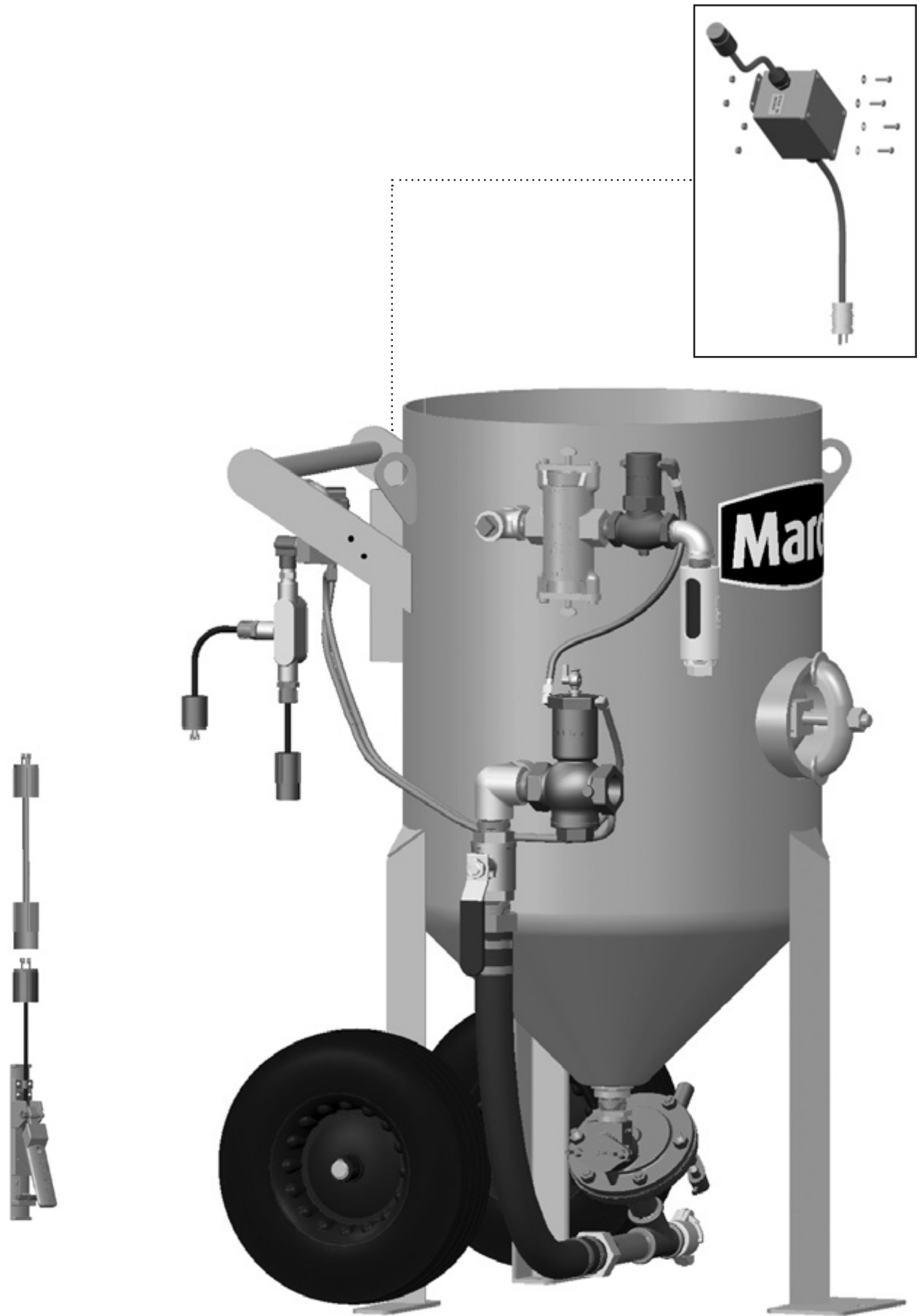
For converting bare pot to electric remote control system

Includes: Marco® 190 12-Volt AC Electric Control Assembly, Blastmaster® Regulator Abrasive Metering Valve, Blastmaster® 151E Remote Control Switch, Electric Control Line, Power Converter, Inlet Valve, Outlet Valve, and various pipe fittings

*Note that due to the wide variety of blast pots you may need to purchase additional fittings, bushing, etc.*



# PART NUMBERS AND SCHEMATICS GUIDE



## PART NUMBERS AND SCHEMATICS GUIDE

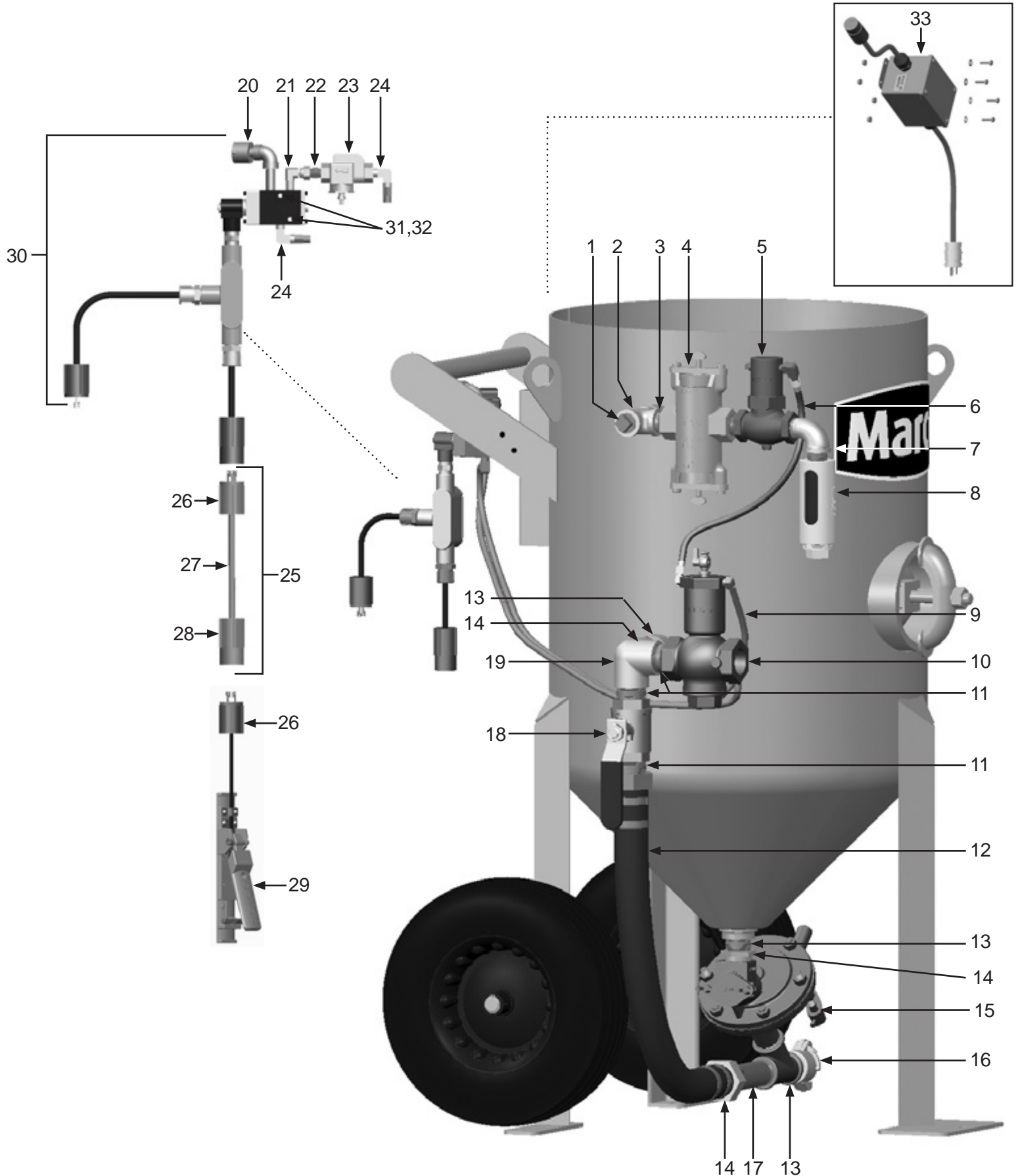
### Complete 120-Volt AC Electric Conversion Kit – 6.0 Cu. Ft. C-Series Abrasive Blasting Pot

Item #	Part #	Description
<b>Fig. 8</b>		
—	<b>10109175</b>	<b>Complete 12-Volt DC Electric Conversion Kit – 6.0 Cu. Ft. C-Series Abrasive Blasting Pot</b>
1	1011901	1" NPT Square Head Pipe Plug
2	1011816	1" NPT Pipe Tee
3	1012151	1" Galvanized Close Nipple
4	1012000	Abrasive Trap – Complete
5	1012050	1" Outlet Valve
6	10CL18	18" x 3/16" I.D. Single Control Line
7	1011801	1" NPT Street Elbow
8	1011100	Abrasive Blasting Pot Muffler – Complete
9	10TL40	Coupled Pneumatic Control Line – 4 Feet
10	1012200	1-1/2" Inlet Valve
11	1014015	1-1/2" Close Nipple <i>(Two Required)</i>
12	1006312	1-1/2" I.D. Pusher Line Assembly
13	1011201	1-1/4" NPT Close Nipple <i>(Three Required)</i>
14	1011501	1-1/2" (M) x 1-1/4" (F) Galvanized Hex Bushing <i>(Three Required)</i>
15	1014000	Blastmaster® Regulator Abrasive Metering Valve
16	10SB1	1-1/4" Brass Tank Coupling
17	1011202	1-1/4" x 6" Galvanized Nipple
18	1011603	1-1/2" Full Port Ball Valve
19	1011804	1-1/2" 90° Elbow with Side-Out
20	10DE025	1/4" Dust Eliminator
21	1012326	1/4" NPT 90° Swivel
22	1017019	1/4" x 1/4" Hex Nipple
23	10WS	Watts Strainer
24	1012051	1/4" NPT Brass Elbow <i>(Two Required)</i>
25	1015542	50' of Electric Control Line with Male and Female Twist-Lock Plugs <i>(Includes Item #'s: 26, 27, and 28)</i>
26	1015551	Two-Prong Twist Lock Plug – Male
27	1015540	16/2 Electric Cord – Per Foot
28	1015552	Two-Prong Twist Lock Plug – Female
29	1015100	Blastmaster® 151E Remote Control Switch
30	1019002	Marco® 190 12-Volt AC Electric Control Assembly – Complete
31	1019044	1/4-20 X 1-3/4" Zinc Bolt <i>(Two Required)</i>
32	1012323	1/4-20 Zinc Lock Nut with Nylon Insert <i>(Two Required)</i>
33	1030020	Blastmaster® 120-Volt AC to 12-Volt AC Power Converter


See page 36 for product literature



## PART NUMBERS AND SCHEMATICS GUIDE



Figure 8: Complete 120-Volt AC Electric Conversion Kit – 6.0 Cu. Ft. C-Series Abrasive Blasting Pot



## OPTIONAL ACCESSORIES

		ELECTRIC CORD			
Part Numbers		Gauge	# of Wires	Type	Length
	1015540	16	2		Per Foot
	1030013	14	2	SEOOW	Per Foot
	1015550	14	3	SEOOW	Per Foot

		ELECTRIC CONTROL LINE WITH PLUGS				
Part Numbers		Gauge	# of Wires	2-Prong Male Twist-Lock Plug	2-Prong Female Twist-Lock Plug	Length
	1015543	16	2	1015551	1015552	25 Ft.
	1015542	16	2	1015551	1015552	50 Ft.

		ELECTRIC CONTROL LINE PLUGS	
Part Numbers		Prong Style	Plug Style
	1015551	2-Prong Male	Twist-Lock
	1015552	2-Prong Female	Twist-Lock

# LITERATURE REFERENCES

## Remote Control System

- 106M088 Part Numbers and Schematics Guide – Blastmaster® 125E Remote Control System
- 1090088 Operator's Manual – Blastmaster® 125E Remote Control System

## Remote Control Switch

- 106M063 Part Numbers and Schematics Guide – Blastmaster® 151E Remote Control Switch
- 1090063 Operator's Manual – Blastmaster® 151E Remote Control Switch

## Abrasive Metering Valves

- 106M022 Part Numbers and Schematics Guide – Blastmaster® Bantam Abrasive Metering Valve
- 1090022 Operator's Manual – Blastmaster® Bantam Abrasive Metering Valve

- 106M021 Part Numbers and Schematics Guide – Blastmaster® Regulator Abrasive Metering Valve
- 1090021 Operator's Manual – Blastmaster® Regulator Abrasive Metering Valve

## Abrasive Blasting Pot Muffler

- 106M347 Part Numbers and Schematics Guide – Abrasive Blasting Pot Muffler





## CONTACT CENTER

- 3425 East Locust Street  
Davenport, IA 52803

ph: 800.BLAST.IT (800.252.7848)

ph: 563.324.2519

fax: 563.324.6258

## REGIONAL BRANCH OFFICES

- **Iowa**  
Davenport
- **Louisiana**  
Gonzales  
Lafayette
- **Ohio**  
Youngstown
- **Texas**  
Beaumont  
Corpus Christi  
Deer Park



ABRASIVES

BLASTING

COATING

DUST COLLECTORS

ENGINEERED SYSTEMS

RENTAL

SAFETY

SERVICE & REPAIR

VACUUMS

## 40+ NATIONWIDE SHIPPING LOCATIONS



★ Marco Regional Branch Offices  
and Shipping Locations

● Direct Shipping Locations

## CONTACT MARCO

**800.BLAST.IT**

**(800.252.7848)**

**563.324.2519**

**FAX: 563.324.6258**

**WWW.MARCO.US**

**SALES@MARCO.US**