



BLASTMASTER® 123P REMOTE CONTROL SYSTEM CONVERSION KITS



BUILT MARCO TOUGH
MARCO MANUFACTURED

PART NUMBERS AND SCHEMATICS GUIDE

Company Profile

Since 1944, Marco has developed a strong tradition of providing innovative and reliable products and services to the surface preparation and protective coatings industries. We are the world's premier provider of Abrasives, Blasting, Coating, Dust Collectors, Engineered Systems, Rental, Safety, Service, Repair, & Modernization, and Vacuums.

Through innovative designs and a total commitment to quality, Marco manufactures products that increase production rates, create a safer workplace, and reduce maintenance costs. Marco's industry experience, manufacturing capabilities, legendary customer service, product availability, logistics services, and technology leadership is your assurance that we deliver high quality products and services, providing the best value to you, our customer.

The Marco Difference

- **Industry Experience** – With Marco on your team, you have access to expertise which can only come from decades of industry leadership. We have organized our engineering department, production specialists, customer operations, and safety support into a “Center of Competence.” As a Marco customer, you have access to hundreds of years of cumulative experience related to your operations.
- **Manufacturing Excellence** – Marco is a U.S. based, ISO 9001:2008 certified manufacturer of equipment for the Surface Preparation and Protective Coatings industries. Marco's engineers benchmark the industry to ensure that we design and manufacture superior products that set the “Gold Standard” for performance, safety, and quality.
- **Legendary Customer Service** – Marco's legendary customer service team is staffed by friendly, highly-trained individuals who are focused on providing the highest level of product support, order accuracy, and customer satisfaction.
- **Product Availability** – We stock over 10,000 SKU's and have more than 45 shipping locations to serve North American and International markets for all major brands of blasting and coating equipment. As the largest provider of surface preparation and protective coatings equipment in the world, our inventory levels and product availability are unmatched.
- **Logistics Services** – Marco's in-house logistics team is dedicated to moving your shipment anywhere in the world. We move more than 14,000 truckloads every year, allowing you to save on freight costs by leveraging our buying power. Lower your process costs with a single invoice, which includes product and freight.
- **Technology Leadership** – Our website provides: Operator's Manuals, Part Numbers and Schematics Guides, SDS information, and Features & Specifications Guides, providing access to information 24/7. Our Extranet application allows you to receive quotes and place orders online. Our Intranet maintains a complete record of your purchase history to assist with ongoing support of your existing equipment and future purchasing decisions.

Vision Statement

Marco is the world's premier provider of Abrasives, Blasting, Coating, Dust Collectors, Engineered Systems, Rental, Safety, Service, Repair, & Modernization, and Vacuums.

Mission Statement

Marco provides strong leadership and innovation to the surface preparation and protective coatings industries. We dedicate our efforts to the continuous improvement of our products, services, processes, people, and most importantly, the quality of our customer's experience.

Quality Statement

Marco is committed to providing superior quality in the design, manufacturing, distribution, rental, service, and repair of our products. Our ISO 9001:2008 certification extends throughout all operations in all locations. Continuous improvement of our processes and supply chain Integration comprise the core of our business strategy for delivering exceptional quality and value in all Marco products and services.

Management Philosophy

We are a company dedicated to the success of every customer and associate. We discuss, debate, challenge, measure, and test our ideas. We will be boundless and limitless in our passion to improve. Through sound leadership and dedicated associates, we will ensure a long term, profitable future for Marco, our associates, customers, and suppliers.

TABLE OF CONTENTS

Company Profile	2
Table of Contents	3
123P Pneumatic Conversion Kits	4-15
3.0 – 3.5 Cu. Ft. Abrasive Blasting Pot	4-5
1-1/4" Bantam Metering Valve	6-7
1-1/2" Bantam Metering Valve	8-9
6.0 – 6.5 Cu. Ft. Abrasive Blasting Pot	10-11
1-1/4" Bantam Metering Valve	12-13
1-1/2" Bantam Metering Valve	14-15
Optional Accessories	16-17
Literature References	18
Maintenance Notes	19

PART NUMBERS AND SCHEMATICS GUIDE

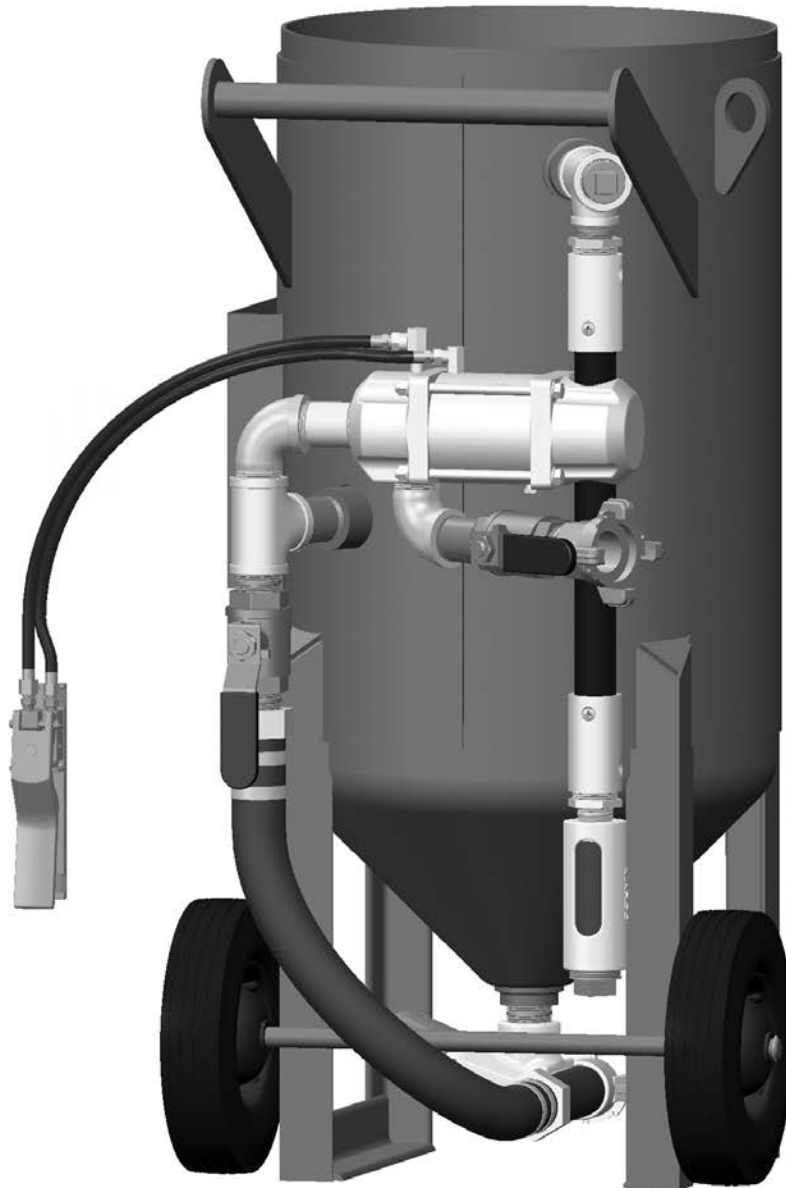
PNEUMATIC REMOTE CONTROL SYSTEM KITS – 3.0 THROUGH 3.5 CU. FT. ABRASIVE BLASTING POTS

Part Numbers	Blastmaster® 1-1/4" Bantam Abrasive Metering Valve	Blastmaster® 1-1/2" Bantam Abrasive Metering Valve	Blastmaster® 152P Remote Control Switch	Tandem Remote Control Valve	Twinline	Blowdown Hose Assembly
10107242	X		X	X	55 Ft.	X
10107243		X	X	X	55 Ft.	X

For converting bare pot to pneumatic remote control system.

Includes: Blastmaster® Bantam Abrasive Metering Valve, Blastmaster® 152P Remote Control Switch, Tandem Remote Control Valve, Twinline, Blowdown Hose Assembly, and various pipe fittings

PART NUMBERS AND SCHEMATICS GUIDE



PART NUMBERS AND SCHEMATICS GUIDE

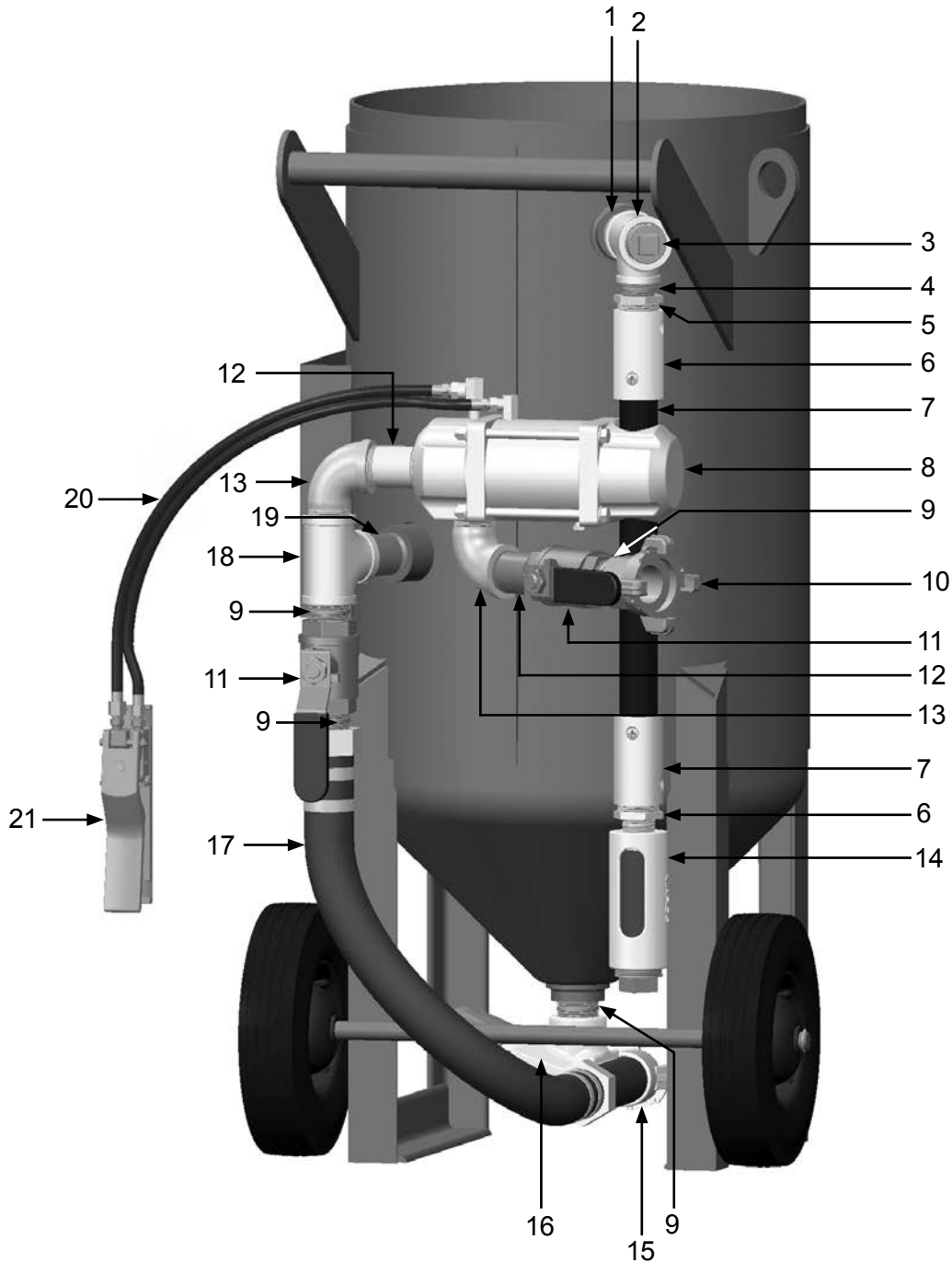
Pneumatic Conversion Kit – 3.0 through 3.5 Cu. Ft. Abrasive Blasting Pots – 1-1/4" Bantam Abrasive Metering Valve

Item #	Part #	Description
Fig. 1		
—	10107242	Pneumatic Conversion Kit – 1-1/4" Bantam Abrasive Metering Valve
1	1011813	1-1/4" x 2" Pipe Nipple
2	1011817	1-1/4" x 1-1/4" x 1" Pipe Tee
3	1011902	1-1/4" Galvanized Square Head Pipe Plug
4	1012151	1" Galvanized Close Nipple
5	1012157	1-1/4" x 1" Bushing (<i>Two Required</i>)
6	10NHA1	3/4" Aluminum Nozzle Holder (<i>Two Required</i>)
7	10BH0342BR	Blastmaster® 3/4" I.D. Heavy-Duty Abrasive Blasting Hose (<i>Per Foot</i>)
8	1012300	Tandem Remote Control Valve – Complete
9	1011201	1-1/4" Galvanized Close Nipple (<i>Four Required</i>)
10	10ME3	1-1/4" NPT (F) Air Hose Fitting
11	1011602	1-1/4" NPT Full Port Brass Ball Valve (<i>Two Required</i>)
12	1011204	1-1/4" x 3" Galvanized Nipple (<i>Two Required</i>)
13	1011802	1-1/4" Galvanized Street Elbow (<i>Two Required</i>)
14	1011100	Blastmaster® Abrasive Blasting Pot Muffler
15	10SB2S	1-1/2" NPT Brass Tank Coupling
16	1014101	Blastmaster® 1-1/4" Bantam Abrasive Metering Valve
17	1006311	1-1/4" Pusher Line Assembly
18	1011803	1-1/4" x 1-1/4" x 1-1/4" Galvanized Pipe Tee
19	1011216	1-1/4" Galvanized Tee
20	1016000	55 Feet of Coupled Control Line with 1/4" and 1/8" Fittings
21	1015200	Blastmaster® 152P Remote Control Switch

See page 18 for product literature

PART NUMBERS AND SCHEMATICS GUIDE

Figure 1: Pneumatic Conversion Kit – 3.0 through 3.5 Cu. Ft. Abrasive Blasting Pots – 1-1/4" Bantam Abrasive Metering Valve



PART NUMBERS AND SCHEMATICS GUIDE

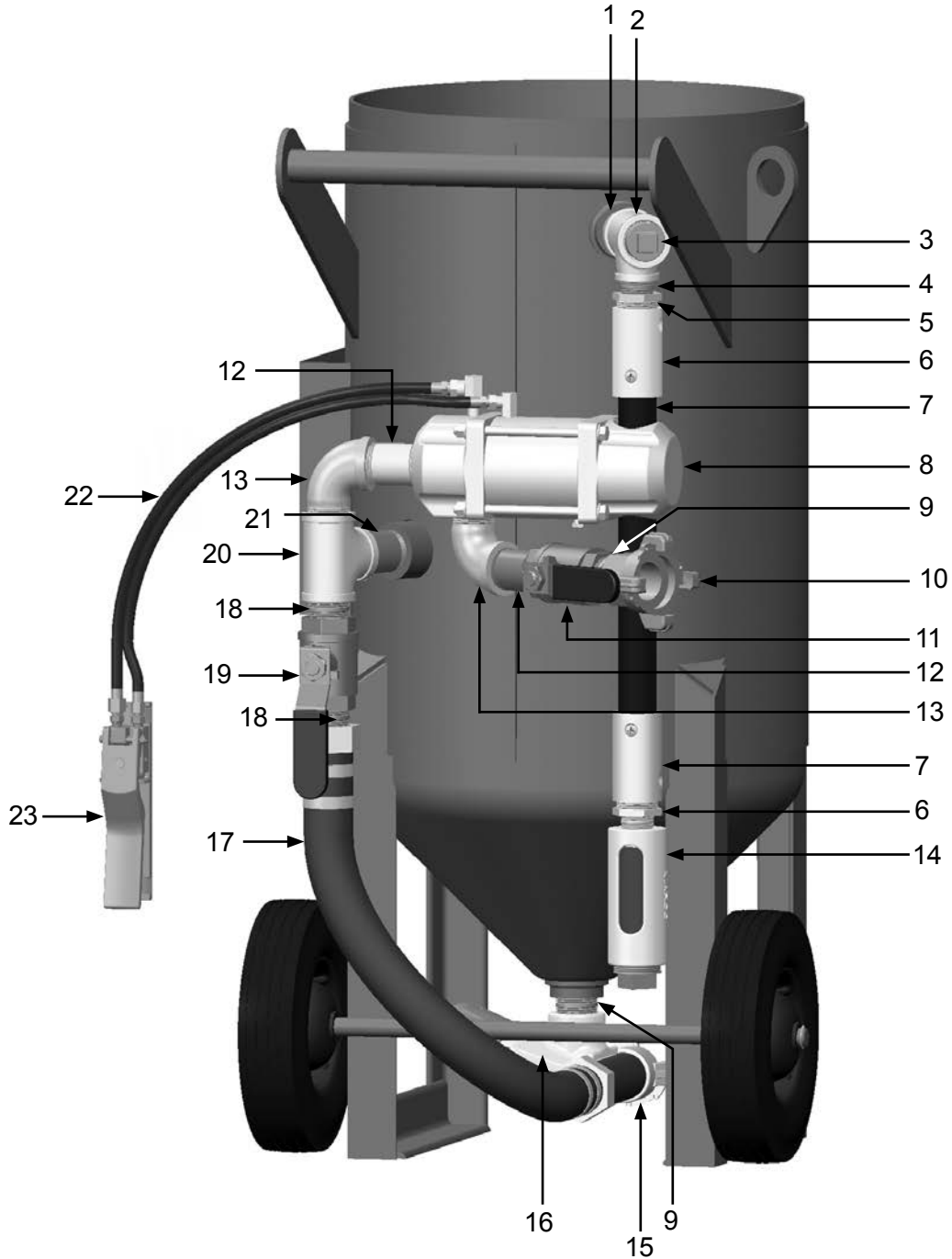
Pneumatic Conversion Kit – 3.0 through 3.5 Cu. Ft. Abrasive Blasting Pots – 1-1/2" Bantam Abrasive Metering Valve

Item #	Part #	Description
Fig. 2		
—	10107243	Pneumatic Conversion Kit – 1-1/2" Bantam Abrasive Metering Valve
1	1011813	1-1/4" x 2" Pipe Nipple
2	1011817	1-1/4" x 1-1/4" x 1" Pipe Tee
3	1011902	1-1/4" Galvanized Square Head Pipe Plug
4	1012151	1" Galvanized Close Nipple
5	1012157	1-1/4" x 1" Bushing (<i>Two Required</i>)
6	10NHA1	3/4" Aluminum Nozzle Holder (<i>Two Required</i>)
7	10BH0342BR	Blastmaster® 3/4" I.D. Heavy-Duty Abrasive Blasting Hose (<i>Per Foot</i>)
8	1012300	Tandem Remote Control Valve – Complete
9	1011201	1-1/4" Galvanized Close Nipple (<i>Two Required</i>)
10	10ME3	1-1/4" NPT (F) Air Hose Fitting
11	1011602	1-1/4" NPT Full Port Brass Ball Valve
12	1011204	1-1/4" x 3" Galvanized Nipple (<i>Two Required</i>)
13	1011802	1-1/4" Galvanized Street Elbow
14	1011100	Blastmaster® Abrasive Blasting Pot Muffler
15	10SB2S	1-1/2" NPT Brass Tank Coupling
16	1014102	Blastmaster® 1-1/2" Bantam Abrasive Metering Valve
17	1006312	1-1/2" Pusher Line Assembly
18	1014015	1-1/2" Galvanized Close Nipple (<i>Two Required</i>)
19	1011603	1-1/2" NPT Full Port Brass Ball Valve
20	1011834	1-1/2" x 1-1/4" x 1-1/4" Galvanized Pipe Tee
21	1011216	1-1/4" x 3-1/2" Nipple
22	1016000	55 Feet of Coupled Control Line with 1/4" and 1/8" Fittings
23	1015200	Blastmaster® 152P Remote Control Switch

See page 18 for product literature

PART NUMBERS AND SCHEMATICS GUIDE

Figure 2: Pneumatic Conversion Kit – 3.0 through 3.5 Cu. Ft. Abrasive Blasting Pots – 1-1/2" Bantam Abrasive Metering Valve



PART NUMBERS AND SCHEMATICS GUIDE

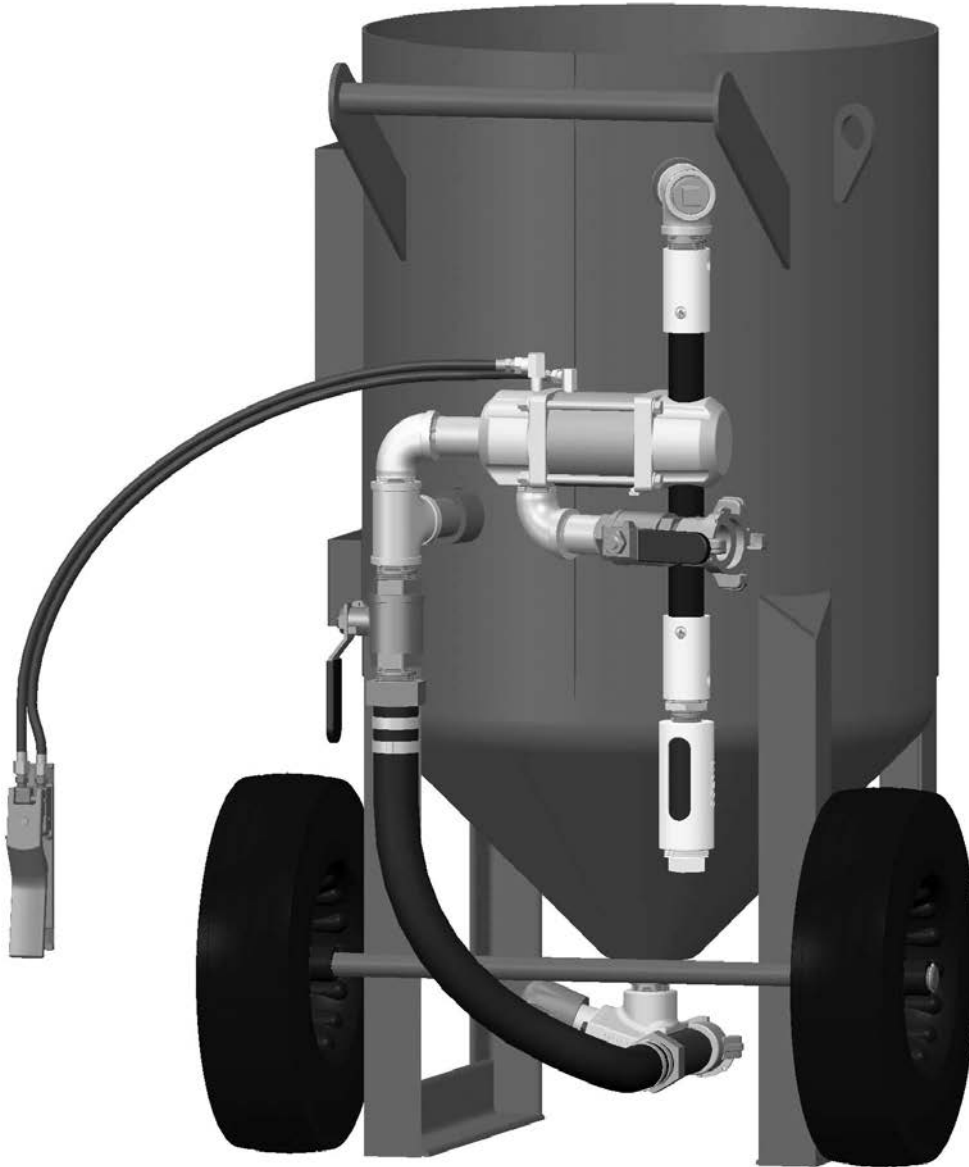
PNEUMATIC REMOTE CONTROL SYSTEM KITS – 6.0 THROUGH 6.5 CU. FT. ABRASIVE BLASTING POTS

Part Numbers	Blastmaster® 1-1/4" Bantam Abrasive Metering Valve	Blastmaster® 1-1/2" Bantam Abrasive Metering Valve	Blastmaster® 152P Remote Control Switch	Tandem Remote Control Valve	Twinline	Blowdown Hose Assembly
1012360	X		X	X	55 Ft.	X
1012365		X	X	X	55 Ft.	X

For converting bare pot to pneumatic remote control system.

Includes: Blastmaster® Bantam Abrasive Metering Valve, Blastmaster® 152P Remote Control Switch, Tandem Remote Control Valve, Twinline, Blowdown Hose Assembly, and various pipe fittings

PART NUMBERS AND SCHEMATICS GUIDE



PART NUMBERS AND SCHEMATICS GUIDE

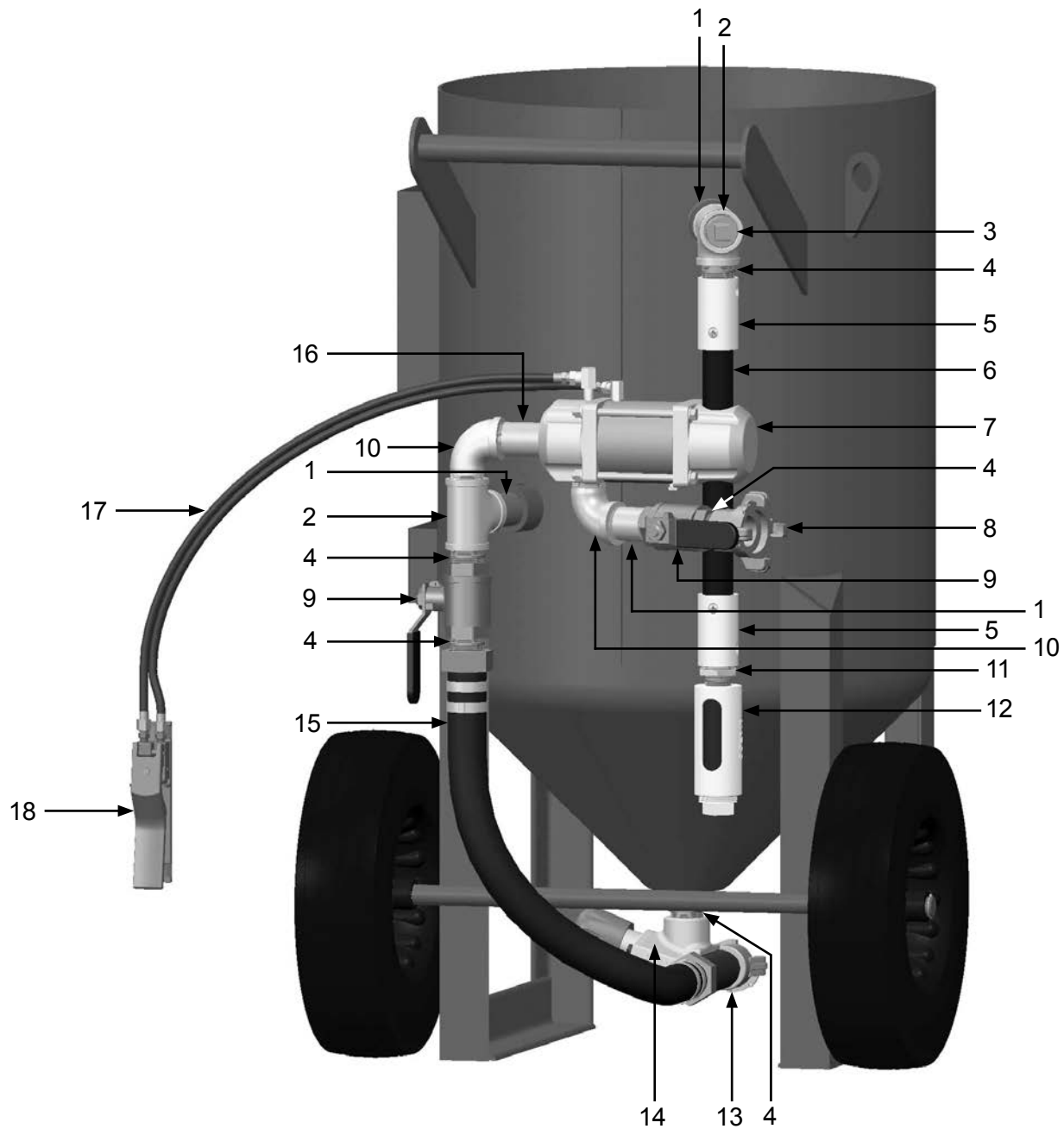
Pneumatic Conversion Kit – 6.0 through 6.5 Cu. Ft. Abrasive Blasting Pots – 1-1/4" Bantam Abrasive Metering Valve

Item #	Part #	Description
Fig. 3		
—	1012360	Pneumatic Conversion Kit – 1-1/4" Bantam Abrasive Metering Valve
1	1011204	1-1/4" x 3" Galvanized Close Nipple (<i>Three Required</i>)
2	1011803	1-1/4" Pipe Tee (<i>Two Required</i>)
3	1011902	1-1/4" Galvanized Square Head Pipe Plug
4	1011201	1-1/4" Galvanized Close Nipple (<i>Five Required</i>)
5	10NHA1	3/4" Aluminum Nozzle Holder (<i>Two Required</i>)
6	10BH0342BR	Blastmaster® 3/4" I.D. Heavy-Duty Abrasive Blasting Hose (<i>Per Foot</i>)
7	1012300	Tandem Remote Control Valve – Complete
8	10ME3	1-1/4" NPT (F) Air Hose Fitting
9	1011602	1-1/4" NPT Full Port Brass Ball Valve (<i>Two Required</i>)
10	1011802	1-1/4" Galvanized Street Elbow (<i>Two Required</i>)
11	1012157	1-1/4" x 1" Bushing
12	1011100	Blastmaster® Abrasive Blasting Pot Muffler
13	10SB2S	1-1/2" NPT Brass Tank Coupling
14	1014101	Blastmaster® 1-1/4" Bantam Abrasive Metering Valve
15	1006311	1-1/4" Pusher Line Assembly
16	1011216	1-1/4" x 3-1/2" Galvanized Close Nipple
17	1016000	55 Feet of Coupled Control Line with 1/4" and 1/8" Fittings
18	1015200	Blastmaster® 152P Remote Control Switch

See page 18 for product literature

PART NUMBERS AND SCHEMATICS GUIDE

Figure 3: Pneumatic Conversion Kit – 6.0 through 6.5 Cu. Ft. Abrasive Blasting Pots – 1-1/4" Bantam Abrasive Metering Valve



PART NUMBERS AND SCHEMATICS GUIDE

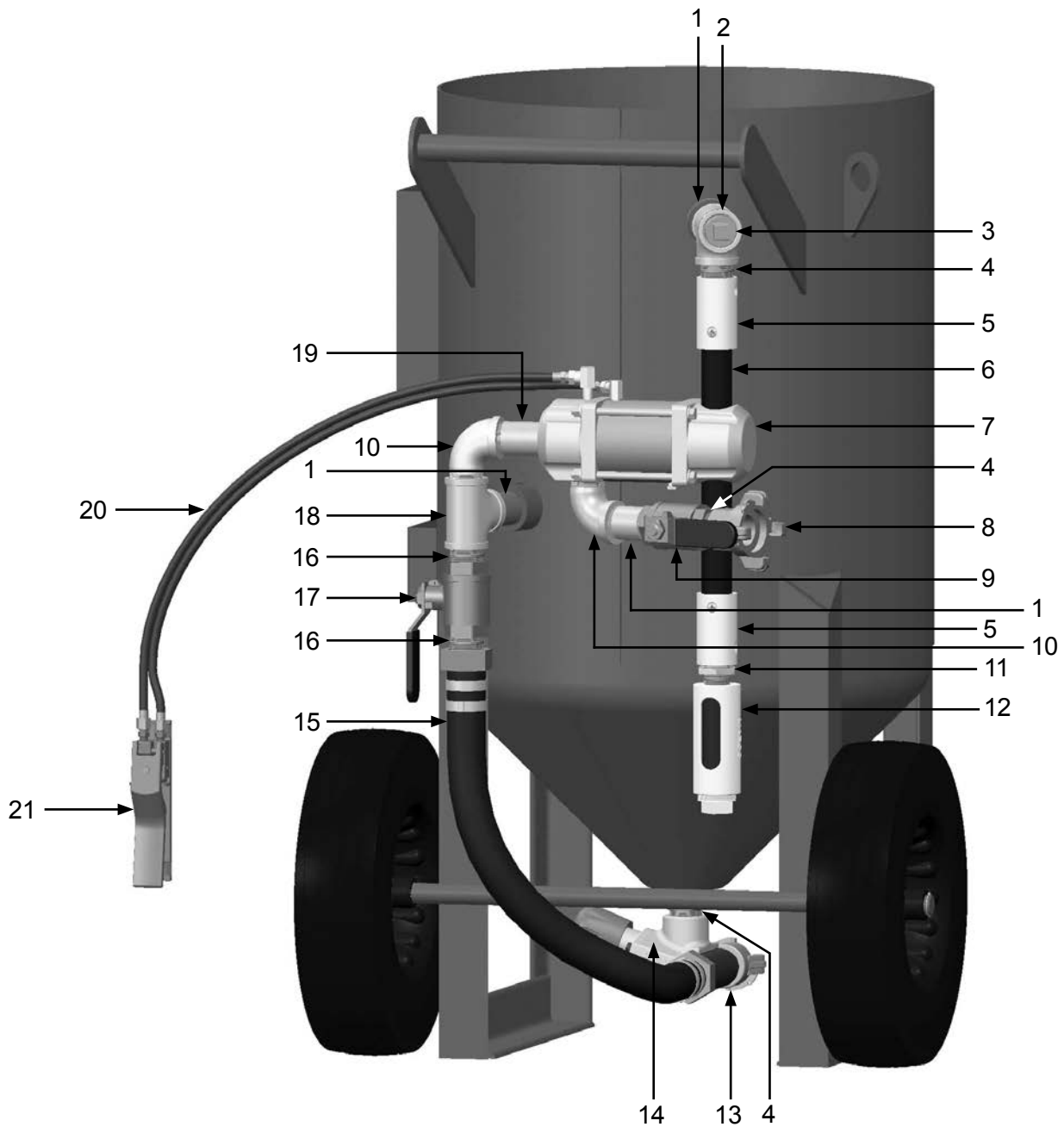
Pneumatic Conversion Kit – 6.0 through 6.5 Cu. Ft. Abrasive Blasting Pots – 1-1/2" Bantam Abrasive Metering Valve

Item #	Part #	Description
Fig. 4		
—	1012365	Pneumatic Conversion Kit – 1-1/2" Bantam Abrasive Metering Valve
1	1011204	1-1/4" x 3" Galvanized Close Nipple (<i>Three Required</i>)
2	1011803	1-1/4" Pipe Tee
3	1011902	1-1/4" Galvanized Square Head Pipe Plug
4	1011201	1-1/4" Galvanized Close Nipple (<i>Three Required</i>)
5	10NHA1	3/4" Aluminum Nozzle Holder (<i>Two Required</i>)
6	10BH0342BR	Blastmaster® 3/4" I.D. Heavy-Duty Abrasive Blasting Hose (<i>Per Foot</i>)
7	1012300	Tandem Remote Control Valve – Complete
8	10ME3	1-1/4" NPT (F) Air Hose Fitting
9	1011602	1-1/4" NPT Full Port Brass Ball Valve
10	1011802	1-1/4" Galvanized Street Elbow (<i>Two Required</i>)
11	1012157	1-1/4" x 1" Bushing
12	1011100	Blastmaster® Abrasive Blasting Pot Muffler
13	10SB2S	1-1/2" NPT Brass Tank Coupling
14	1014102	Blastmaster® 1-1/2" Bantam Abrasive Metering Valve
15	1006312	1-1/2" Pusher Line Assembly
16	1014015	1-1/2" Galvanized Close Nipple (<i>Two Required</i>)
17	1011603	1-1/2" NPT Full Port Brass Ball Valve
18	1011834	1-1/2" x 1-1/4" x 1-1/4" Galvanized Pipe Tee
19	1011216	1-1/4" x 3-1/2" Galvanized Close Nipple
20	1016000	55 Feet of Coupled Control Line with 1/4" and 1/8" Fittings
21	1015200	Blastmaster® 152P Remote Control Switch





See page 18 for product literature

PART NUMBERS AND SCHEMATICS GUIDE









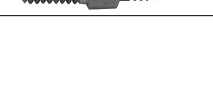
Figure 4: Pneumatic Conversion Kit – 6.0 through 6.5 Cu. Ft. Abrasive Blasting Pots – 1-1/2" Bantam Abrasive Metering Valve





OPTIONAL ACCESSORIES

		PNEUMATIC CONTROL LINE							
Part Numbers		Hose Length	Working Pressure	Hose I.D.	Hose O.D.	1017012	1017013	1017014	1017015
	1016002	7 Feet	200 psi	3/16"	7/16"	X	X	X	X
	1016000	55 Feet	200 psi	3/16"	7/16"	X	X	X	X
	1016001	110 Feet	200 psi	3/16"	7/16"	X	X	X	X
	10TLBK	Per Foot	200 psi	3/16"	7/16"				

OPTIONAL ACCESSORIES

		PNEUMATIC CONTROL LINE FITTINGS		
	Part Numbers	Description	Hose I.D.	Hose O.D.
	1017012	1/8" Female Nut & Barb	3/16"	7/16"
	1017013	1/4" Female Nut & Barb	3/16"	7/16"
	1017014	1/8" Male Threaded Barb	3/16"	7/16"
	1017015	1/4" Male Threaded Barb	3/16"	7/16"
	1017010	Hose Splicer	3/16"	7/16"
	1017017	Hose Ferrule	3/16"	7/16"
	1017011	Oetiker® Clamp	3/16"	7/16"
	1017018	1/8" x 1/8" Hex Nipple	3/16"	7/16"
	1017019	1/4" x 1/4" Hex Nipple	3/16"	7/16"

	Part Numbers	PNEUMATIC CONTROL LINE FITTINGS ACCESSORIES
	10DX855A	Ferrule Crimping Tool
	10DX1098	Oetiker® Clamp Tool

LITERATURE REFERENCES

Remote Control System

105M007	Features and Specifications Guide – Blastmaster® 123P Remote Control System
106M007	Part Numbers and Schematics Guide – Blastmaster® 123P Remote Control System
1090007	Operator's Manual – Blastmaster® 123P Remote Control System

Remote Control Switch

105M068	Features and Specifications Guide – Blastmaster® 152P Remote Control Switch
106M068	Part Numbers and Schematics Guide – Blastmaster® 152P Remote Control Switch
1090068	Operator's Manual – Blastmaster® 152P Remote Control Switch

Abrasive Metering Valve

105M022	Features and Specifications Guide – Blastmaster® Bantam Abrasive Metering Valve
106M022	Part Numbers and Schematics Guide – Blastmaster® Bantam Abrasive Metering Valve
1090022	Operator's Manual – Blastmaster® Bantam Abrasive Metering Valve

Abrasive Blasting Pot Muffler

105M347	Features and Specifications Guide – Abrasive Blasting Pot Muffler
106M347	Part Numbers and Schematics Guide – Abrasive Blasting Pot Muffler

GLOBAL HEADQUARTERS

- 3425 East Locust Street
Davenport, IA 52803

ph: 800.BLAST.IT (800.252.7848)
ph: 563.324.2519
fax: 563.324.6258

REGIONAL BRANCH OFFICES

- **Iowa**
Davenport
- **Louisiana**
Gonzales
Harvey
Lafayette
- **Ohio**
Youngstown
- **Texas**
Beaumont
Corpus Christi
Deer Park

40+ NATIONWIDE SHIPPING LOCATIONS



★ Marco Regional Branch Offices and Shipping Locations ● Direct Shipping Locations



ABRASIVES

BLASTING

COATING

DUST COLLECTORS

ENGINEERED SYSTEMS

RENTAL

SAFETY

SERVICE, REPAIR, & MODERNIZATION

VACUUMS

CONTACT MARCO

800.BLAST.IT
(800.252.7848)
563.324.2519
FAX: 563.324.6258

WWW.MARCO.US
SALES@MARCO.US