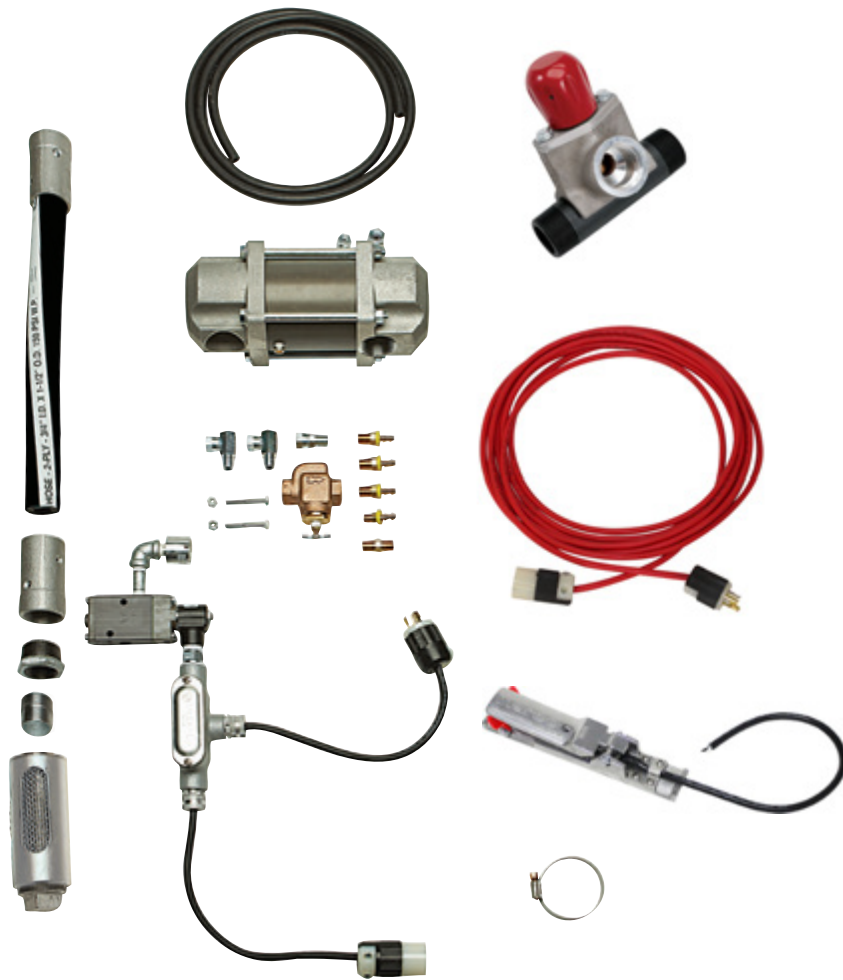




BLASTMASTER® 123E REMOTE CONTROL SYSTEM CONVERSION KITS



BUILT MARCO TOUGH
MARCO MANUFACTURED

PARTNUMBERSANDSCHEMATICSGUIDE

Company Profile

Since 1944, Marco has developed a strong tradition of providing innovative and reliable products and services to the surface preparation and protective coatings industries. We are the world's premier provider of Abrasives, Blasting, Coating, Dust Collectors, Engineered Systems, Rental, Safety, Service, Repair, & Modernization, and Vacuums.

Through innovative designs and a total commitment to quality, Marco manufactures products that increase production rates, create a safer workplace, and reduce maintenance costs. Marco's industry experience, manufacturing capabilities, legendary customer service, product availability, logistics services, and technology leadership is your assurance that we deliver high quality products and services, providing the best value to you, our customer.

The Marco Difference

- **Industry Experience** – With Marco on your team, you have access to expertise which can only come from decades of industry leadership. We have organized our engineering department, production specialists, customer operations, and safety support into a “Center of Competence.” As a Marco customer, you have access to hundreds of years of cumulative experience related to your operations.
- **Manufacturing Excellence** – Marco is a U.S. based, ISO 9001:2008 certified manufacturer of equipment for the Surface Preparation and Protective Coatings industries. Marco's engineers benchmark the industry to ensure that we design and manufacture superior products that set the “Gold Standard” for performance, safety, and quality.
- **Legendary Customer Service** – Marco's legendary customer service team is staffed by friendly, highly-trained individuals who are focused on providing the highest level of product support, order accuracy, and customer satisfaction.
- **Product Availability** – We stock over 10,000 SKU's and have more than 45 shipping locations to serve North American and International markets for all major brands of blasting and coating equipment. As the largest provider of surface preparation and protective coatings equipment in the world, our inventory levels and product availability are unmatched.
- **Logistics Services** – Marco's in-house logistics team is dedicated to moving your shipment anywhere in the world. We move more than 14,000 truckloads every year, allowing you to save on freight costs by leveraging our buying power. Lower your process costs with a single invoice, which includes product and freight.
- **Technology Leadership** – Our website provides: Operator's Manuals, Part Numbers and Schematics Guides, SDS information, and Features & Specifications Guides, providing access to information 24/7. Our Extranet application allows you to receive quotes and place orders online. Our Intranet maintains a complete record of your purchase history to assist with ongoing support of your existing equipment and future purchasing decisions.

Vision Statement

Marco is the world's premier provider of Abrasives, Blasting, Coating, Dust Collectors, Engineered Systems, Rental, Safety, Service, Repair, & Modernization, and Vacuums.

Mission Statement

Marco provides strong leadership and innovation to the surface preparation and protective coatings industries. We dedicate our efforts to the continuous improvement of our products, services, processes, people, and most importantly, the quality of our customer's experience.

Quality Statement

Marco is committed to providing superior quality in the design, manufacturing, distribution, rental, service, and repair of our products. Our ISO 9001:2008 certification extends throughout all operations in all locations. Continuous improvement of our processes and supply chain Integration comprise the core of our business strategy for delivering exceptional quality and value in all Marco products and services.

Management Philosophy

We are a company dedicated to the success of every customer and associate. We discuss, debate, challenge, measure, and test our ideas. We will be boundless and limitless in our passion to improve. Through sound leadership and dedicated associates, we will ensure a long term, profitable future for Marco, our associates, customers, and suppliers.

TABLE OF CONTENTS

Company Profile	2
Table of Contents	3
Pneumatic-to-Electric	
Conversion Kits	4-11
Part Numbers – 12-Volt DC	4-7
Part Numbers – 120-Volt AC	8-11
Complete Remote Control System	
Conversion Kits	12-43
3.0 – 3.5 Cu. Ft. Abrasive Blasting Pots	
Part Numbers – 12-Volt DC – 1-1/4"	12-15
Part Numbers – 12-Volt DC – 1-1/2"	16-19
Part Numbers – 120-Volt AC – 1-1/4"	20-23
Part Numbers – 120-Volt AC – 1-1/2"	24-27
6.0 – 6.5 Cu. Ft. Abrasive Blasting Pots	
Part Numbers – 12-Volt DC – 1-1/4"	28-31
Part Numbers – 12-Volt DC – 1-1/2"	32-35
Part Numbers – 120-Volt AC – 1-1/4"	36-39
Part Numbers – 120-Volt AC – 1-1/2"	40-43
Optional Accessories	44-45
Electric Cord	44
Electric Control Line with Plugs	44
Electric Control Line Plugs	45
Literature References	46
Maintenance Notes	47

PART NUMBERS AND SCHEMATICS GUIDE

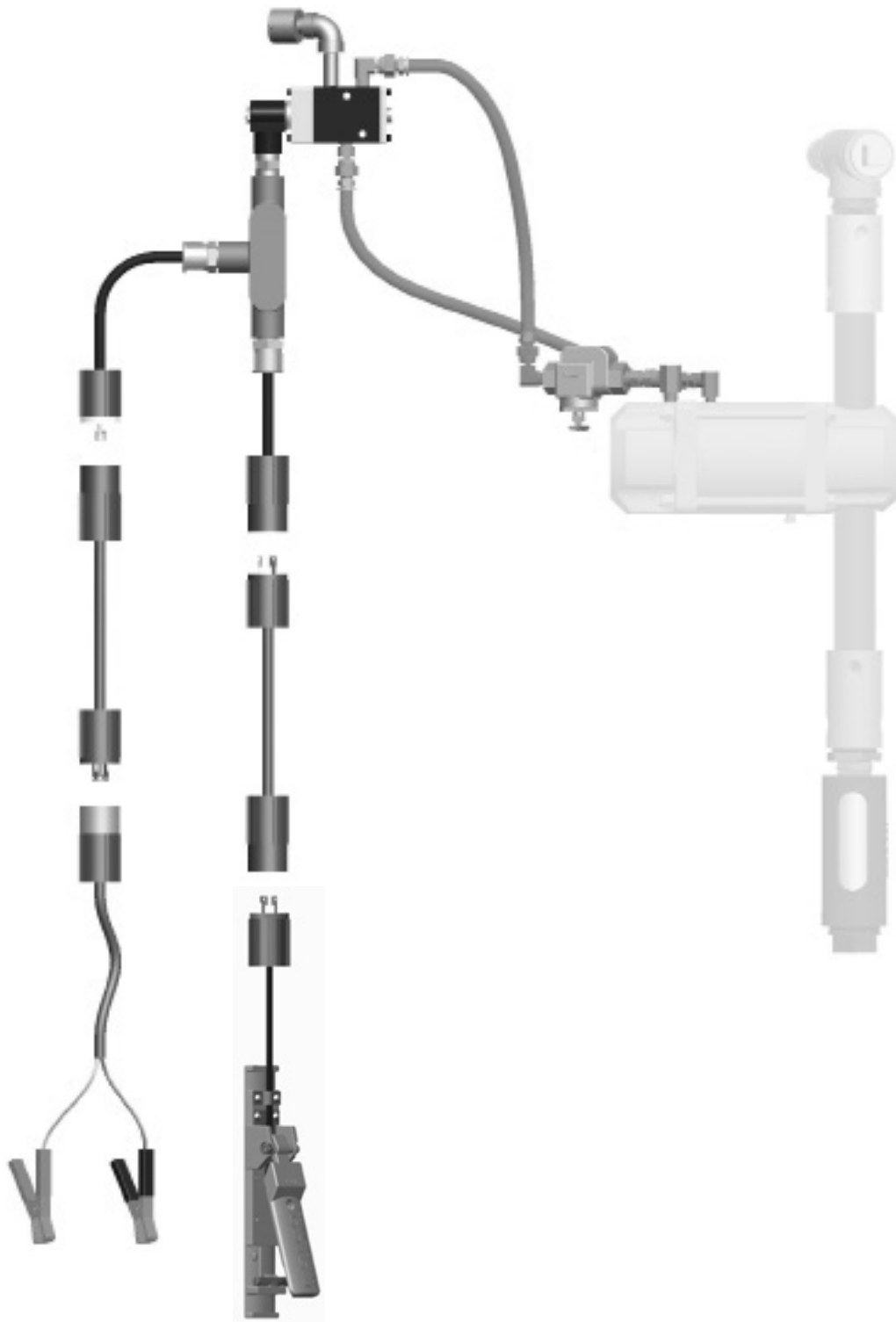
PNEUMATIC TO 12-VOLT DC ELECTRIC CONVERSION KIT

Part Numbers	12-Volt DC 190 Electric Control Assembly	Blastmaster® 151E Remote Control Switch	Power Cord – 25 Ft. <i>(to power source)</i>	Power Cord – 50 Ft. <i>(to remote control switch)</i>	Battery Clamps
1019063	X	X	1015546	1015545	X

For converting Pneumatic to 12-Volt DC Electric Conversion Kit

Includes: 12-Volt DC 190 Electric Control Assembly, Blastmaster® 151E Remote Control Switch, Power Cord, Battery Clamps, and various pipe fittings

PART NUMBERS AND SCHEMATICS GUIDE



PART NUMBERS AND SCHEMATICS GUIDE

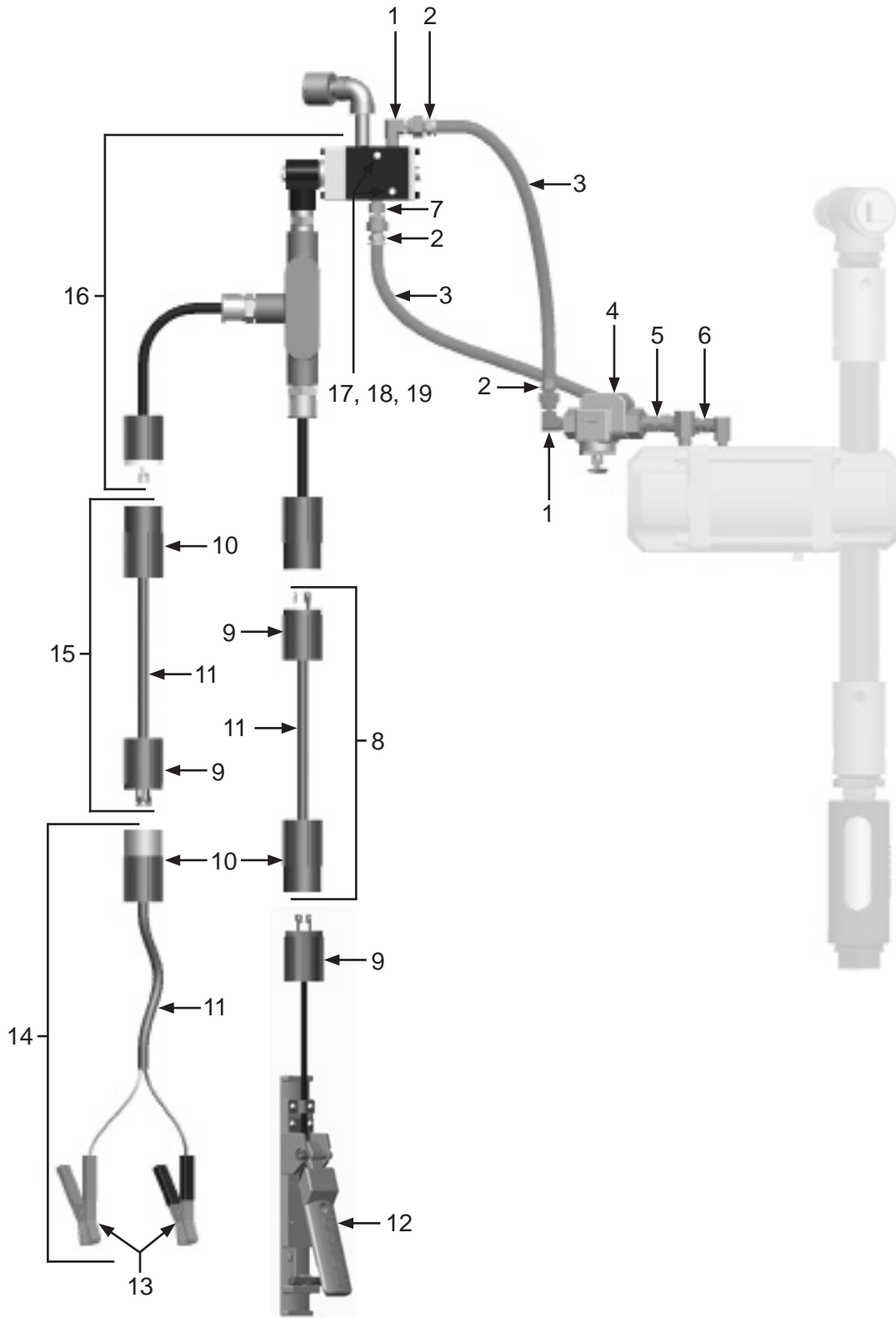
Pneumatic to 12-Volt DC Electric Conversion Kit

Item #	Part #	Description
Fig. 1		
—	1019063	Pneumatic to 12-Volt DC Electric Conversion Kit
1	1012326	1/4" 90° Swivel Fitting (<i>Two Required</i>)
2	10PAF025	1/4" NPT x 1/4" Barb Push-On Air Hose Fitting (<i>Three Required</i>)
3	10AH025	1/4" I.D. Push-On Air Hose (<i>Six Feet Required</i>)
4	10WS	Watts Strainer
5	1017019	1/4" Hex Nipple
6	10PAF0125	1/8" NPT x 1/4" Barb Push-On Air Hose Fitting
7	10SME025	1/4" Straight Swivel Fitting
8	1015545	50' of Power Cord with Male and Female 3-Prong Twist-Lock Plugs (<i>Includes Item #'s: 9, 10 (Quantity of 50'), and 11</i>)
9	1015555	3-Prong Twist Lock Plug – Male
10	1015556	3-Prong Twist Lock Plug – Female
11	1015540	16/2 Electric Cord – Per Foot
12	1015100	Blastmaster® 151E Remote Control Switch
13	1030718	Battery Clamps – Pair
14	1015544	Battery Clamp Kit (<i>Includes Item #'s: 10, 11 (Quantity of 2'), and 13</i>)
15	1015546	25' of Power Cord with Male and Female 3-Prong Twist-Lock Plugs (<i>Includes Item #'s: 9, 10 (Quantity of 25'), and 11</i>)
16	1019001	12-Volt DC 190 Electric Control Assembly – Complete
17	1019044	1/4-20 x 1-3/4" Zinc Bolt (<i>Quantity of Two</i>)
18	1014017	1/4" Flat Washer (<i>Quantity of Two</i>)
19	1012323	1/4-20 Zinc Lock Nut with Nylon Insert (<i>Quantity of Two</i>)

See page 46 for product literature

PART NUMBERS AND SCHEMATICS GUIDE

Figure 1: Pneumatic to 12-Volt DC Electric Conversion Kit



PART NUMBERS AND SCHEMATICS GUIDE

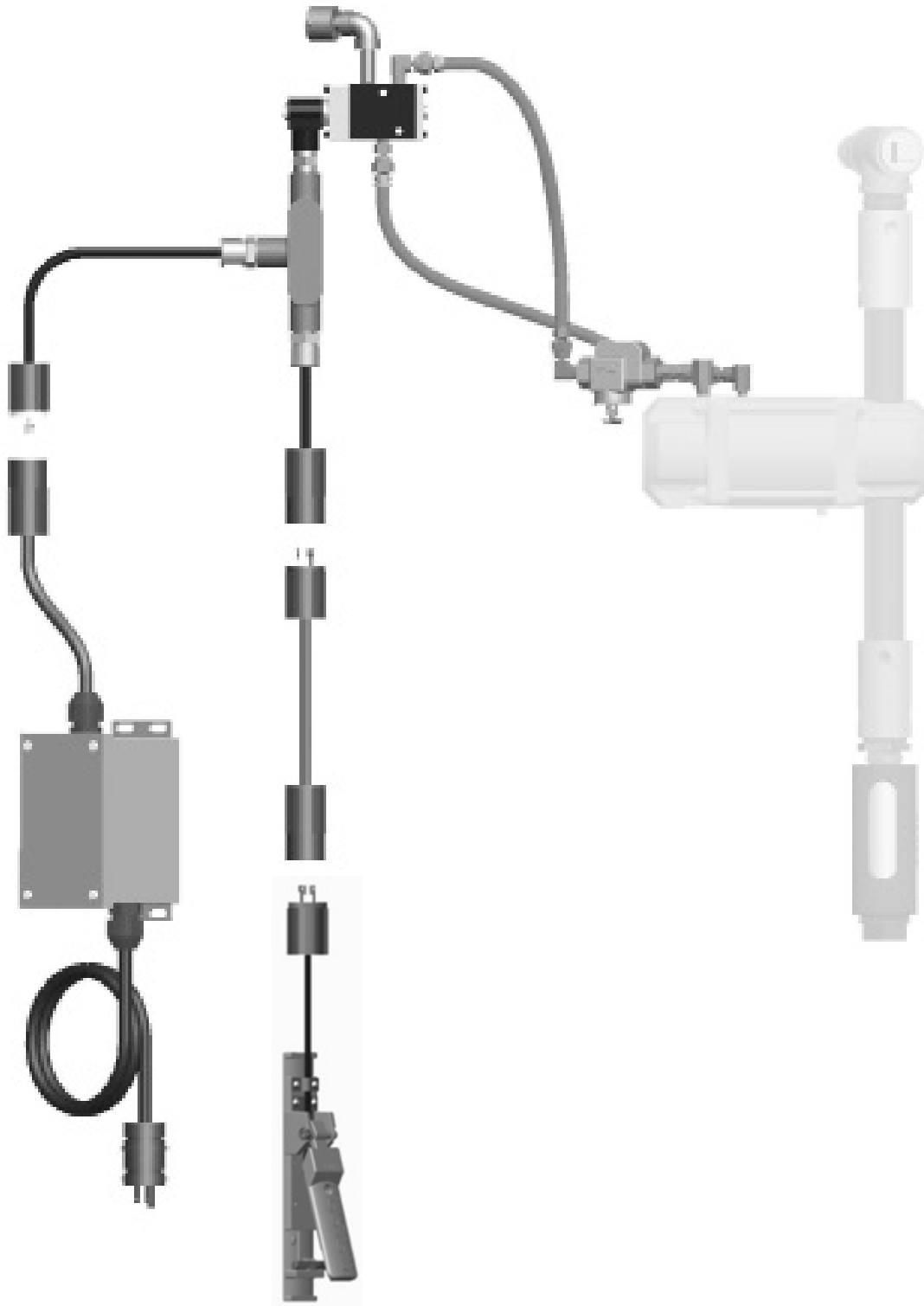
PNEUMATIC TO 120-VOLT AC ELECTRIC CONVERSION KIT

Part Numbers	12-Volt AC 190 Electric Control Assembly	Blastmaster® 151E Remote Control Switch	Power Cord – 50 Ft. <i>(to remote control switch)</i>	Blastmaster® 120-Volt AC to 12-Volt AC Power Converter
1019064	X	X	1015545	X

For converting Pneumatic to 120-Volt AC Electric Conversion Kit

Includes: 12-Volt AC 190 Electric Control Assembly, Blastmaster® 151E Remote Control Switch, Power Cord, Power Converter, and various pipe fittings

PART NUMBERS AND SCHEMATICS GUIDE



PART NUMBERS AND SCHEMATICS GUIDE

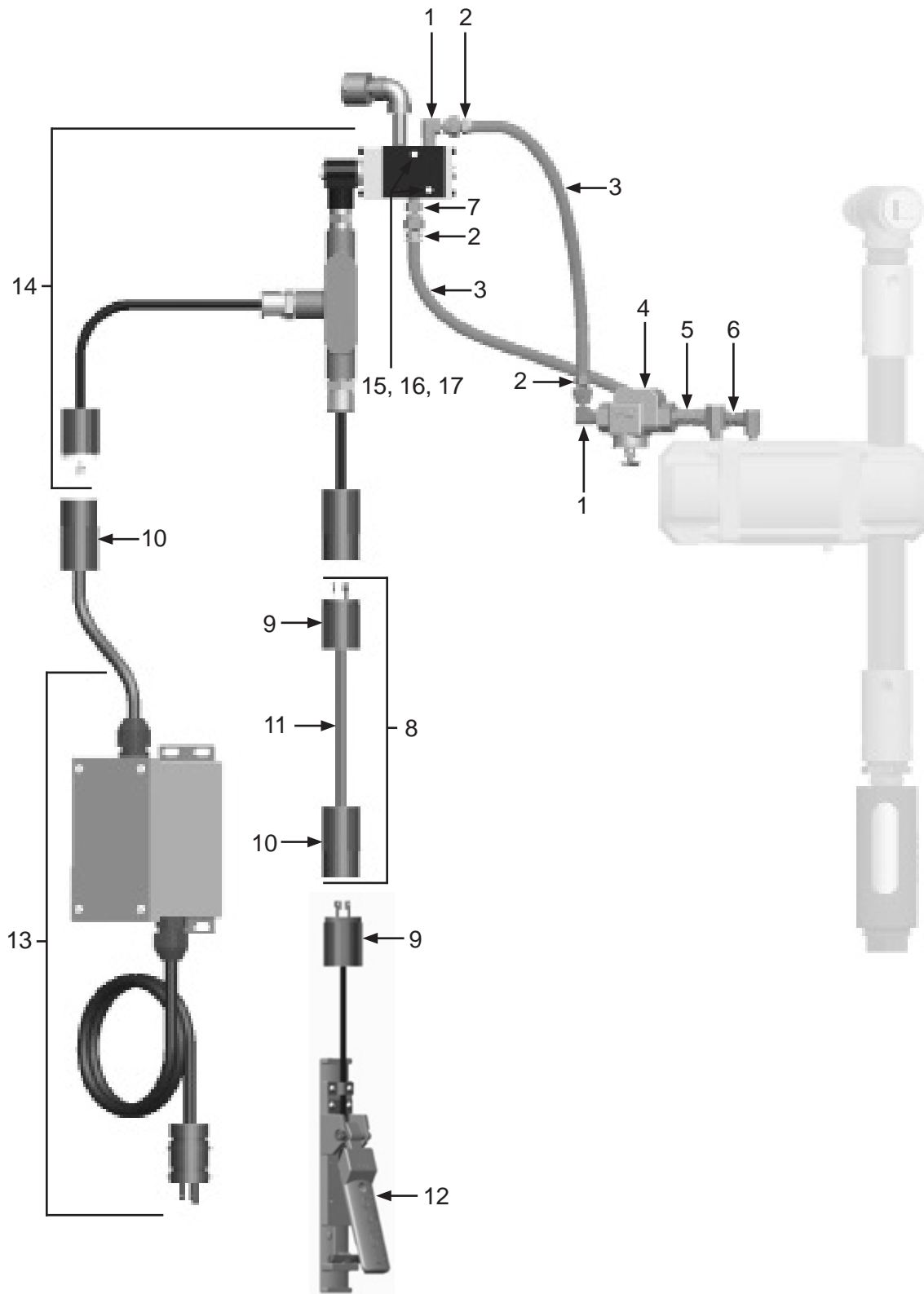
Pneumatic to 120-Volt AC Electric Conversion Kit

Item #	Part #	Description
Fig. 2		
—	1019064	Pneumatic to 120-Volt AC Electric Conversion Kit
1	1012326	1/4" 90° Swivel Fitting (<i>Two Required</i>)
2	10PAF025	1/4" NPT x 1/4" Barb Push-On Air Hose Fitting (<i>Three Required</i>)
3	10AH025	1/4" I.D. Push-On Air Hose (<i>Six Feet Required</i>)
4	10WS	Watts Strainer
5	1017019	1/4" Hex Nipple
6	10PAF0125	1/8" NPT x 1/4" Barb Push-On Air Hose Fitting
7	10SME025	1/4" Straight Swivel Fitting
8	1015545	50' of Power Cord with Male and Female 3-Prong Twist-Lock Plugs (<i>Includes Item #'s: 9, 10 (Quantity of 50'), and 11</i>)
9	1015555	3-Prong Twist Lock Plug – Male
10	1015556	3-Prong Twist Lock Plug – Female
11	1015540	16/2 Electric Cord – Per Foot
12	1015100	Blastmaster® 151E Remote Control Switch
13	1030020	Blastmaster® 120-Volt AC to 12-Volt AC Power Converter
14	1019052	12-Volt AC 190 Electric Control Assembly – Complete
15	1019044	1/4-20 x 1-3/4" Zinc Bolt (<i>Quantity of Two</i>)
16	1014017	1/4" Flat Washer (<i>Quantity of Two</i>)
17	1012323	1/4-20 Zinc Lock Nut with Nylon Insert (<i>Quantity of Two</i>)

See page 46 for product literature

PART NUMBERS AND SCHEMATICS GUIDE

Figure 2: Pneumatic to 120-Volt AC Electric Conversion Kit



PART NUMBERS AND SCHEMATICS GUIDE

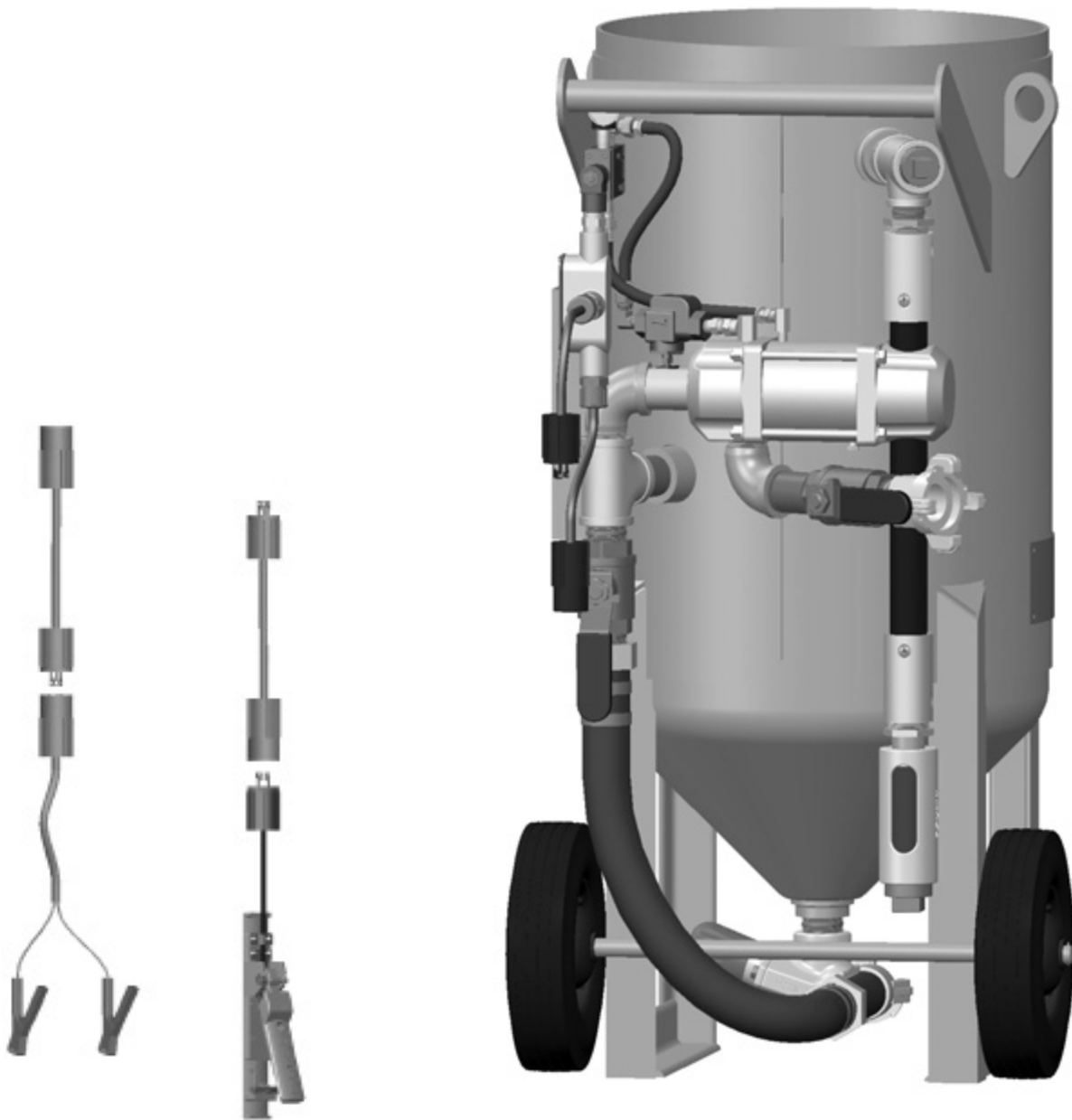
COMPLETE 1-1/4" 12-VOLT DC ELECTRIC CONVERSION KIT – 3.0 THROUGH 3.5 CU. FT. ABRASIVE BLASTING POTS

Part Numbers	Blastmaster® 1-1/4" Bantam Abrasive Metering Valve	12-Volt DC 190 Electric Control Assembly	Blastmaster® 151E Remote Control Switch	Tandem Remote Control Valve	Power Cord – 25 Ft. <i>(to power source)</i>	Power Cord – 50 Ft. <i>(to remote control switch)</i>	Battery Clamps
10107237	X	X	X	X	1015546	1015545	X

For converting bare pot to electric remote control system

Includes: 12-Volt DC 190 Electric Control Assembly, Blastmaster® 1-1/4" Bantam Abrasive Metering Valve, Blastmaster® 151E Remote Control Switch, Tandem Remote Control Valve, Power Cord, Battery Clamps, and various pipe fittings

PART NUMBERS AND SCHEMATICS GUIDE



PART NUMBERS AND SCHEMATICS GUIDE

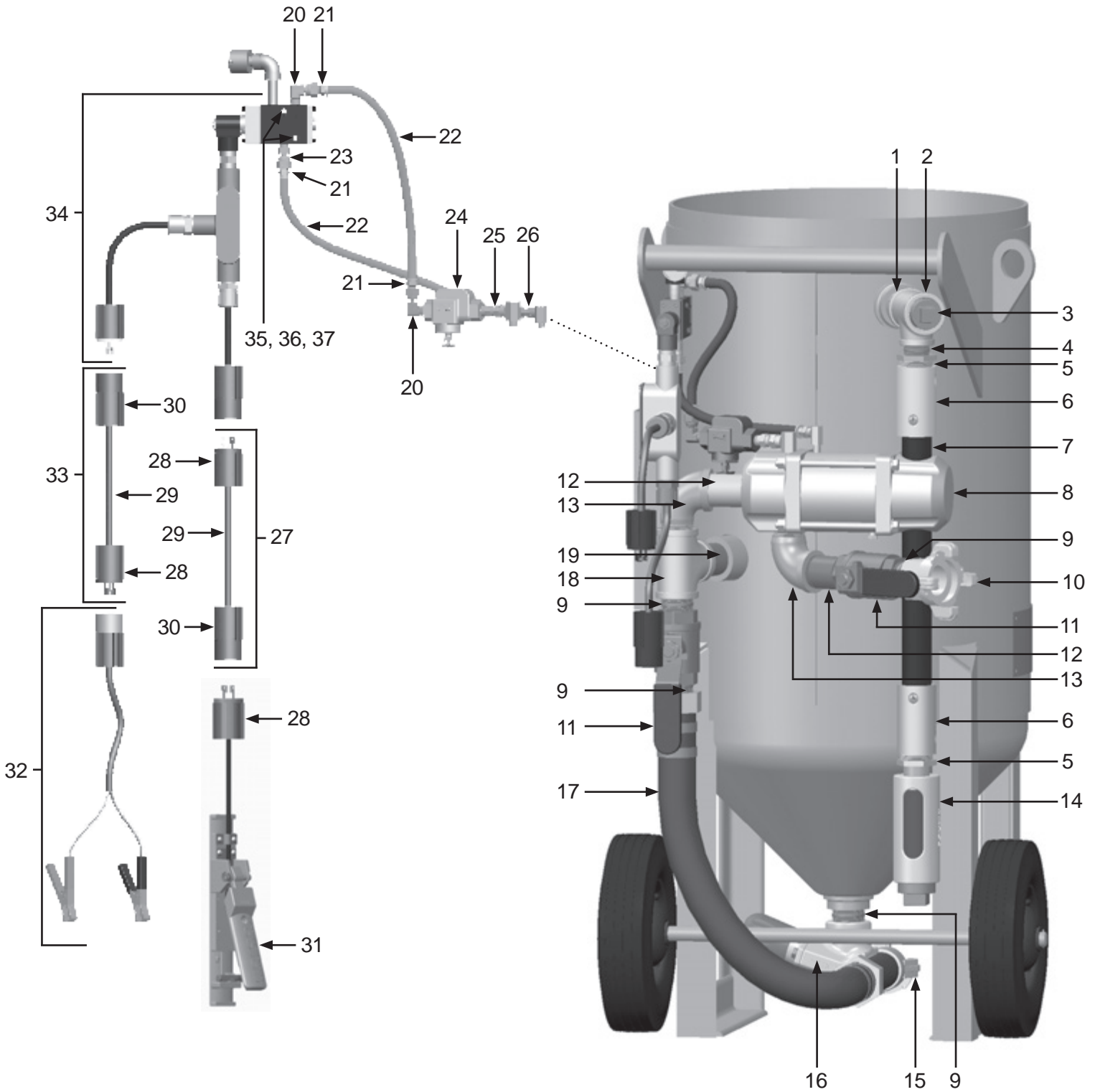
Complete 12-Volt DC Electric Conversion Kit – 3.0 though 3.5 Cu. Ft. Abrasive Blasting Pots – 1-1/4" Metering Valve

Item #	Part #	Description
Fig. 3		
—	10107237	Complete 12-Volt DC Electric Conversion Kit – 1-1/4" Metering Valve
1	1011813	1-1/4" x 2" Pipe Nipple
2	1011817	1-1/4" x 1-1/4" x 1" Pipe Tee
3	1011902	1-1/4" Galvanized Square Head Pipe Plug
4	1012151	1" Galvanized Close Nipple
5	1012157	1-1/4" x 1" Bushing (<i>Two Required</i>)
6	10NHA1	3/4" Aluminum Nozzle Holder (<i>Two Required</i>)
7	10BH0342BR	Blastmaster® 3/4" I.D. Heavy-Duty Abrasive Blasting Hose – Per Foot
8	1012300	Tandem Remote Control Valve – Complete
9	1011201	1-1/4" Galvanized Close Nipple (<i>Four Required</i>)
10	10ME3	1-1/4" NPT (F) Air Hose Fitting
11	1011602	1-1/4" NPT Full Port Brass Ball Valve (<i>Two Required</i>)
12	1011204	1-1/4" x 3" Galvanized Nipple (<i>Two Required</i>)
13	1011802	1-1/4" Galvanized Street Elbow (<i>Two Required</i>)
14	1011100	Blastmaster® Abrasive Blasting Pot Muffler
15	10SB2S	1-1/2" NPT Brass Tank Coupling
16	1014101	Blastmaster® 1-1/4" Bantam Abrasive Metering Valve
17	1006311	1-1/4" I.D. Pusher Line Assembly
18	1011803	1-1/4" Pipe Tee
19	1011216	1-1/4" x 3-1/2" Nipple
20	1012326	1/4" 90° Swivel Fitting (<i>Two Required</i>)
21	10PAF025	1/4" NPT x 1/4" Barb Push-On Air Hose Fitting (<i>Three Required</i>)
22	10AH025	1/4" I.D. Push-On Air Hose (<i>Six Feet Required</i>)
23	10SME025	1/4" Straight Swivel Fitting
24	10WS	Watts Strainer
25	1017019	1/4" Hex Nipple
26	10PAF0125	1/8" NPT x 1/4" Barb Push-On Air Hose Fitting
27	1015545	50' of Power Cord with Male and Female 3-Prong Twist-Lock Plugs (<i>Includes Item #'s: 28, 29 (Quantity of 50'), and 30</i>)
28	1015555	3-Prong Twist Lock Plug – Male
29	1015540	16/2 Electric Cord – Per Foot
30	1015556	3-Prong Twist Lock Plug – Female
31	1015100	Blastmaster® 151E Remote Control Switch
32	1015544	Battery Clamp Kit
33	1015546	25' of Power Cord with Male and Female 3-Prong Twist-Lock Plugs (<i>Includes Item #'s: 28, 29 (Quantity of 25'), and 30</i>)
34	1019051	12-Volt DC 190 Electric Control Assembly – Complete
35	1019044	1/4-20 x 1-3/4" Zinc Bolt (<i>Quantity of Two</i>)
36	1014017	1/4" Flat Washer (<i>Quantity of Two</i>)
37	1012323	1/4-20 Zinc Lock Nut with Nylon Insert (<i>Quantity of Two</i>)

See page 46 for product literature

PART NUMBERS AND SCHEMATICS GUIDE

Figure 3: Complete 12-Volt DC Electric Conversion Kit – 3.0 though 3.5 Cu. Ft. Abrasive Blasting Pots – 1-1/4" Metering Valve



PART NUMBERS AND SCHEMATICS GUIDE

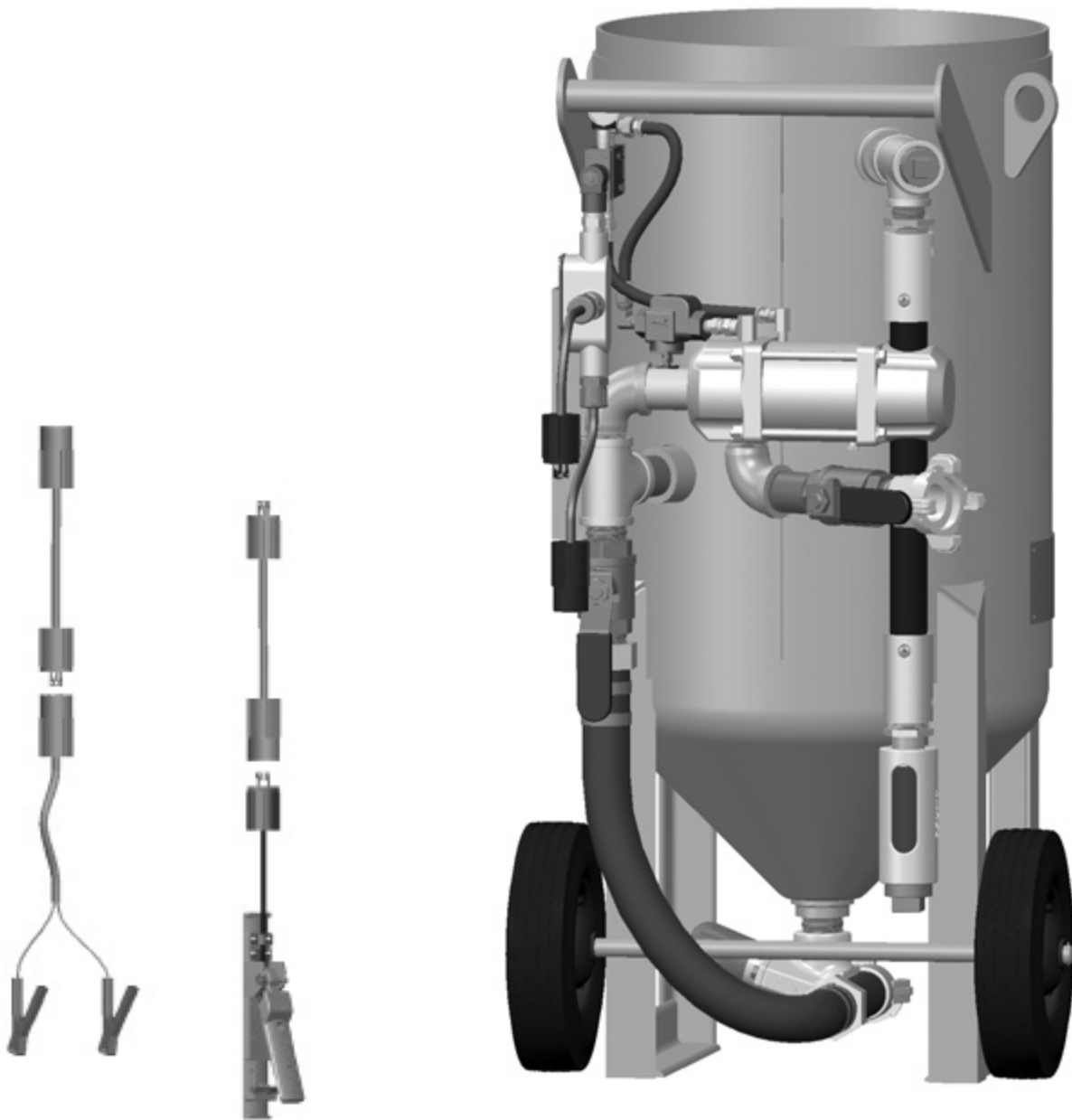
COMPLETE 1-1/2" 12-VOLT DC ELECTRIC CONVERSION KIT – 3.0 THROUGH 3.5 CU. FT. ABRASIVE BLASTING POTS

Part Numbers	Blastmaster® 1-1/2" Bantam Abrasive Metering Valve	12-Volt DC 190 Electric Control Assembly	Blastmaster® 151E Remote Control Switch	Tandem Remote Control Valve	Power Cord – 25 Ft. <i>(to power source)</i>	Power Cord – 50 Ft. <i>(to remote control switch)</i>	Battery Clamps
10107238	X	X	X	X	1015546	1015545	X

For converting bare pot to electric remote control system

Includes: 12-Volt DC 190 Electric Control Assembly, Blastmaster® 1-1/2" Bantam Abrasive Metering Valve, Blastmaster® 151E Remote Control Switch, Tandem Remote Control Valve, Power Cord, Battery Clamps, and various pipe fittings

PART NUMBERS AND SCHEMATICS GUIDE



PART NUMBERS AND SCHEMATICS GUIDE

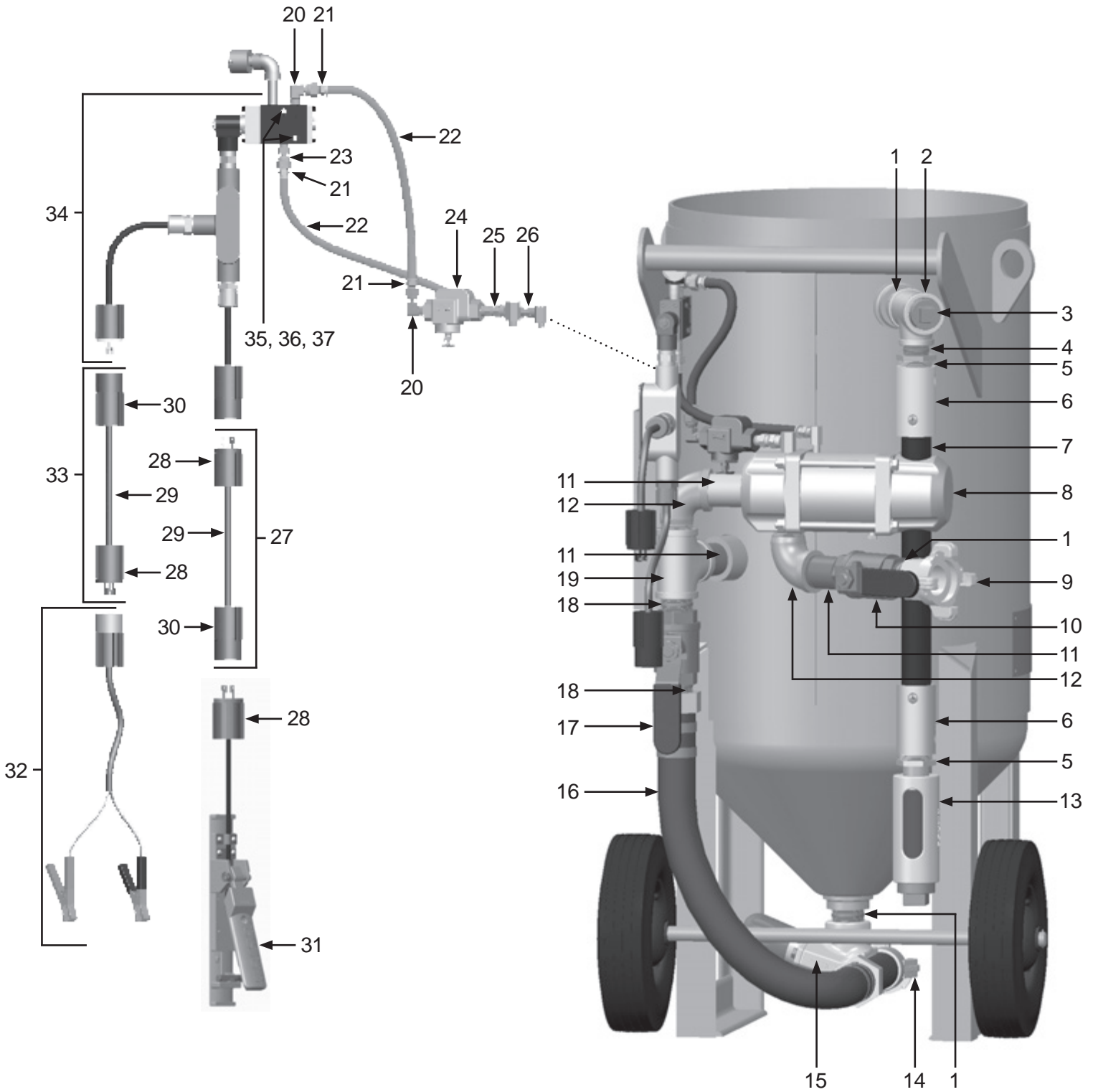
Complete 12-Volt DC Electric Conversion Kit – 3.0 though 3.5 Cu. Ft. Abrasive Blasting Pots – 1-1/2" Metering Valve

Item #	Part #	Description
Fig. 4		
—	10107238	Complete 12-Volt DC Electric Conversion Kit – 1-1/2" Metering Valve
1	1011201	1-1/4" Galvanized Close Nipple <i>(Three Required)</i>
2	1011817	1-1/4" x 1-1/4" x 1" Pipe Tee
3	1011902	1-1/4" Galvanized Square Head Pipe Plug
4	1012151	1" Galvanized Close Nipple
5	1012157	1-1/4" x 1" Bushing
6	10NHA1	3/4" Aluminum Nozzle Holder <i>(Two Required)</i>
7	10BH0342BR	Blastmaster® 3/4" I.D. Heavy-Duty Abrasive Blasting Hose – Per Foot
8	1012300	Tandem Remote Control Valve – Complete
9	10ME3	1-1/4" NPT (F) Air Hose Fitting
10	1011602	1-1/4" NPT Full Port Brass Ball Valve
11	1011204	1-1/4" x 3" Galvanized Nipple <i>(Two Required)</i>
12	1011802	1-1/4" Galvanized Street Elbow
13	1011100	Blastmaster® Abrasive Blasting Pot Muffler
14	10SB2S	1-1/2" NPT Brass Tank Coupling
15	1014102	Blastmaster® 1-1/2" Bantam Abrasive Metering Valve
16	1006312	1-1/2" I.D. Pusher Line Assembly
17	1011603	1-1/2" NPT Full Port Brass Ball Valve
18	1014015	1-1/2" Galvanized Close Nipple <i>(Two Required)</i>
19	1011834	1-1/2" x 1-1/4" x 1-1/4" Galvanized Pipe Tee
20	1012326	1/4" 90° Swivel Fitting <i>(Two Required)</i>
21	10PAF025	1/4" NPT x 1/4" Barb Push-On Air Hose Fitting <i>(Three Required)</i>
22	10AH025	1/4" I.D. Push-On Air Hose <i>(Six Feet Required)</i>
23	10SME025	1/4" Straight Swivel Fitting
24	10WS	Watts Strainer
25	1017019	1/4" Hex Nipple
26	10PAF0125	1/8" NPT x 1/4" Barb Push-On Air Hose Fitting
27	1015545	50' of Power Cord with Male and Female 3-Prong Twist-Lock Plugs <i>(Includes Item #'s: 28, 29 (Quantity of 50'), and 30)</i>
28	1015555	3-Prong Twist Lock Plug – Male
29	1015540	16/2 Electric Cord – Per Foot
30	1015556	3-Prong Twist Lock Plug – Female
31	1015100	Blastmaster® 151E Remote Control Switch
32	1015544	Battery Clamp Kit
33	1015546	25' of Power Cord with Male and Female 3-Prong Twist-Lock Plugs <i>(Includes Item #'s: 28, 29 (Quantity of 25'), and 30)</i>
34	1019051	12-Volt DC 190 Electric Control Assembly – Complete
35	1019044	1/4-20 x 1-3/4" Zinc Bolt <i>(Quantity of Two)</i>
36	1014017	1/4" Flat Washer <i>(Quantity of Two)</i>
37	1012323	1/4-20 Zinc Lock Nut with Nylon Insert <i>(Quantity of Two)</i>

See page 46 for product literature

PART NUMBERS AND SCHEMATICS GUIDE

Figure 4: Complete 12-Volt DC Electric Conversion Kit – 3.0 though 3.5 Cu. Ft. Abrasive Blasting Pots – 1-1/2" Metering Valve



PART NUMBERS AND SCHEMATICS GUIDE

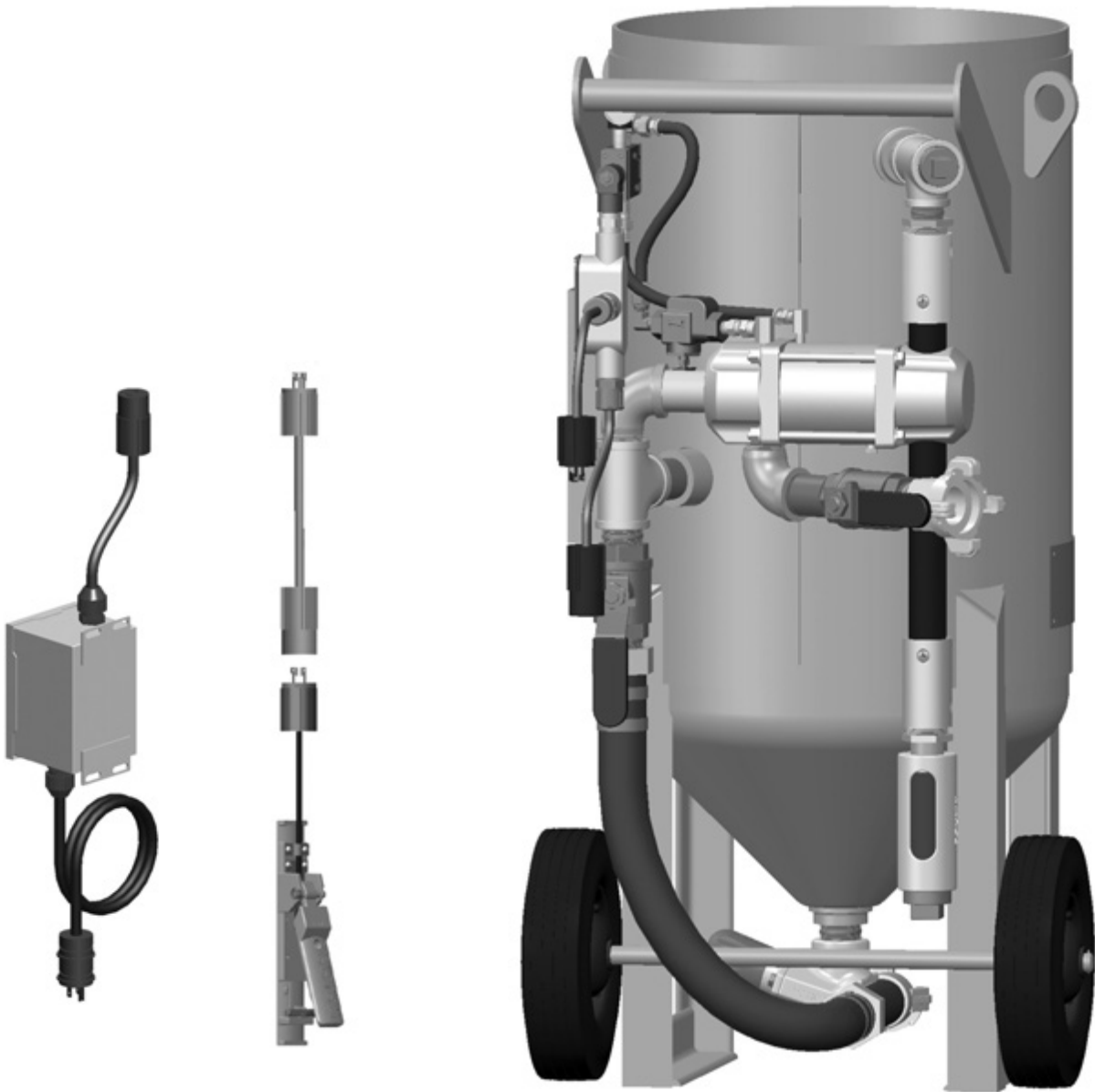
COMPLETE 1-1/4" 120-VOLT AC ELECTRIC CONVERSION KIT – 3.0 THROUGH 3.5 CU. FT. ABRASIVE BLASTING POTS

Part Numbers	Blastmaster® 1-1/4" Bantam Abrasive Metering Valve	12-Volt AC 190 Electric Control Assembly	Blastmaster® 151E Remote Control Switch	Tandem Remote Control Valve	Power Cord – 50 Ft. <i>(to remote control switch)</i>	Blastmaster® 120-Volt AC to 12-Volt AC Power Converter
10107239	X	X	X	X	1015545	X

For converting bare pot to electric remote control system

Includes: 12-Volt AC 190 Electric Control Assembly, Blastmaster® 1-1/4" Bantam Abrasive Metering Valve, Blastmaster® 151E Remote Control Switch, Power Converter, Tandem Remote Control Valve, Power Cord, and various pipe fittings

PART NUMBERS AND SCHEMATICS GUIDE



PART NUMBERS AND SCHEMATICS GUIDE

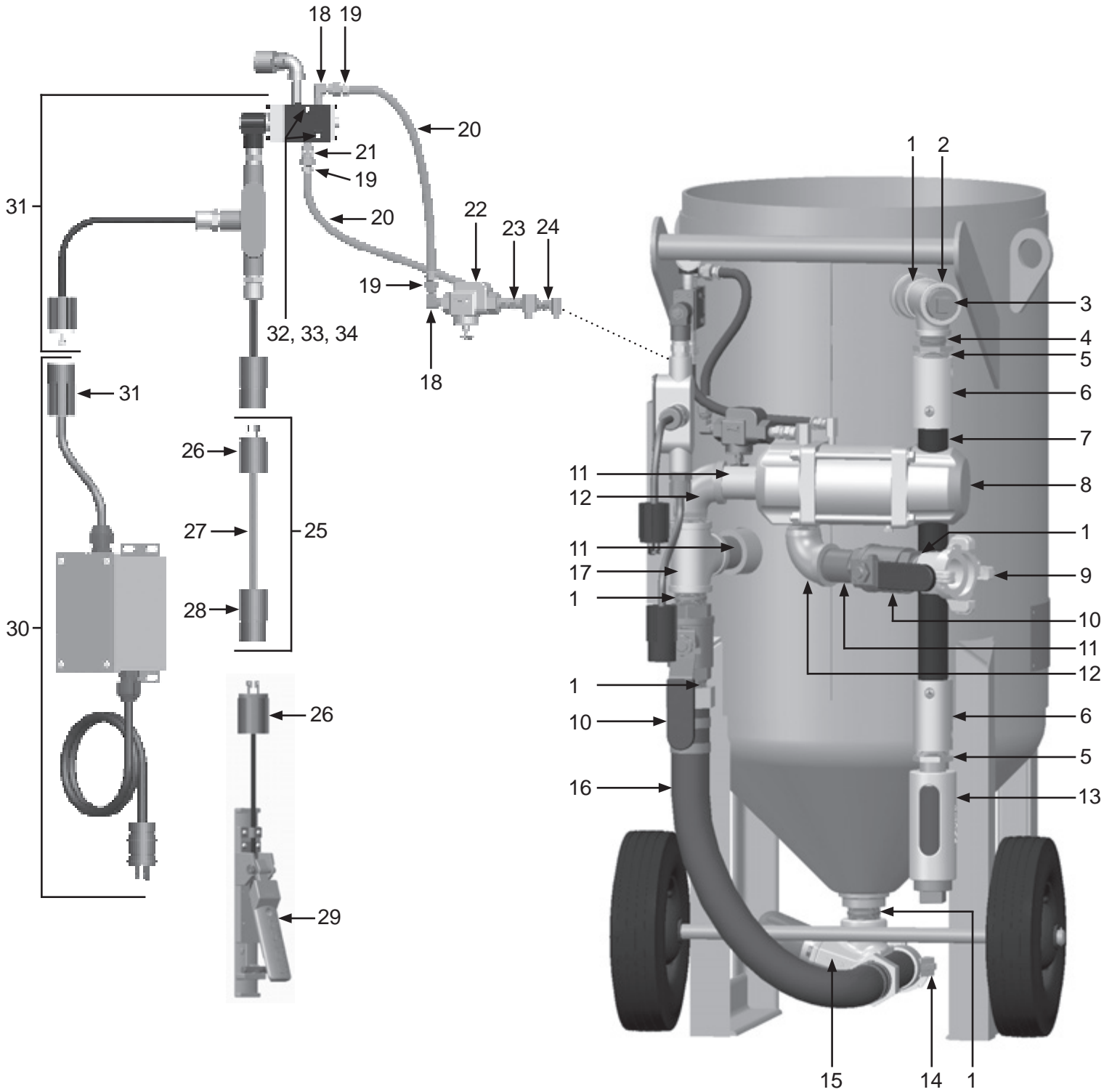
Complete 120-Volt AC Electric Conversion Kit – 3.0 though 3.5 Cu. Ft. Abrasive Blasting Pots – 1-1/4" Metering Valve

Item #	Part #	Description
Fig. 5		
—	10107239	Complete 120-Volt AC Electric Conversion Kit – 1-1/4" Metering Valve
1	1011201	1-1/4" Galvanized Close Nipple (<i>Five Required</i>)
2	1011817	1-1/4" x 1-1/4" x 1" Pipe Tee
3	1011902	1-1/4" Galvanized Square Head Pipe Plug
4	1012151	1" Galvanized Close Nipple
5	1012157	1-1/4" x 1" Bushing (<i>Two Required</i>)
6	10NHA1	3/4" Aluminum Nozzle Holder (<i>Two Required</i>)
7	10BH0342BR	Blastmaster® 3/4" I.D. Heavy-Duty Abrasive Blasting Hose – Per Foot
8	1012300	Tandem Remote Control Valve – Complete
9	10ME3	1-1/4" NPT (F) Air Hose Fitting
10	1011602	1-1/4" NPT Full Port Brass Ball Valve (<i>Two Required</i>)
11	1011204	1-1/4" x 3" Galvanized Nipple (<i>Three Required</i>)
12	1011802	1-1/4" Galvanized Street Elbow (<i>Two Required</i>)
13	1011100	Blastmaster® Abrasive Blasting Pot Muffler
14	10SB2S	1-1/2" NPT Brass Tank Coupling
15	1014101	Blastmaster® 1-1/4" Bantam Abrasive Metering Valve
16	1006311	1-1/4" I.D. Pusher Line Assembly
17	1011834	1-1/2" x 1-1/4" x 1-1/4" Galvanized Pipe Tee
18	1012326	1/4" 90° Swivel Fitting (<i>Two Required</i>)
19	10PAF025	1/4" NPT x 1/4" Barb Push-On Air Hose Fitting (<i>Three Required</i>)
20	10AH025	1/4" I.D. Push-On Air Hose (<i>Six Feet Required</i>)
21	10SME025	1/4" Straight Swivel Fitting
22	10WS	Watts Strainer
23	1017019	1/4" Hex Nipple
24	10PAF0125	1/8" NPT x 1/4" Barb Push-On Air Hose Fitting
25	1015545	50' of Power Cord with Male and Female 3-Prong Twist-Lock Plugs (<i>Includes Item #'s: 26, 27 (Quantity of 50'), and 28</i>)
26	1015555	3-Prong Twist Lock Plug – Male
27	1015540	16/2 Electric Cord – Per Foot
28	1015556	3-Prong Twist Lock Plug – Female
29	1015100	Blastmaster® 151E Remote Control Switch
30	1030020	Blastmaster® 120-Volt AC to 12-Volt AC Power Converter
31	1019052	12-Volt AC 190 Electric Control Assembly – Complete
32	1019044	1/4-20 x 1-3/4" Zinc Bolt (<i>Quantity of Two</i>)
33	1014017	1/4" Flat Washer (<i>Quantity of Two</i>)
34	1012323	1/4-20 Zinc Lock Nut with Nylon Insert (<i>Quantity of Two</i>)

See page 46 for product literature

PART NUMBERS AND SCHEMATICS GUIDE

Figure 5: Complete 120-Volt AC Electric Conversion Kit – 3.0 though 3.5 Cu. Ft. Abrasive Blasting Pots – 1-1/4" Metering Valve



PART NUMBERS AND SCHEMATICS GUIDE

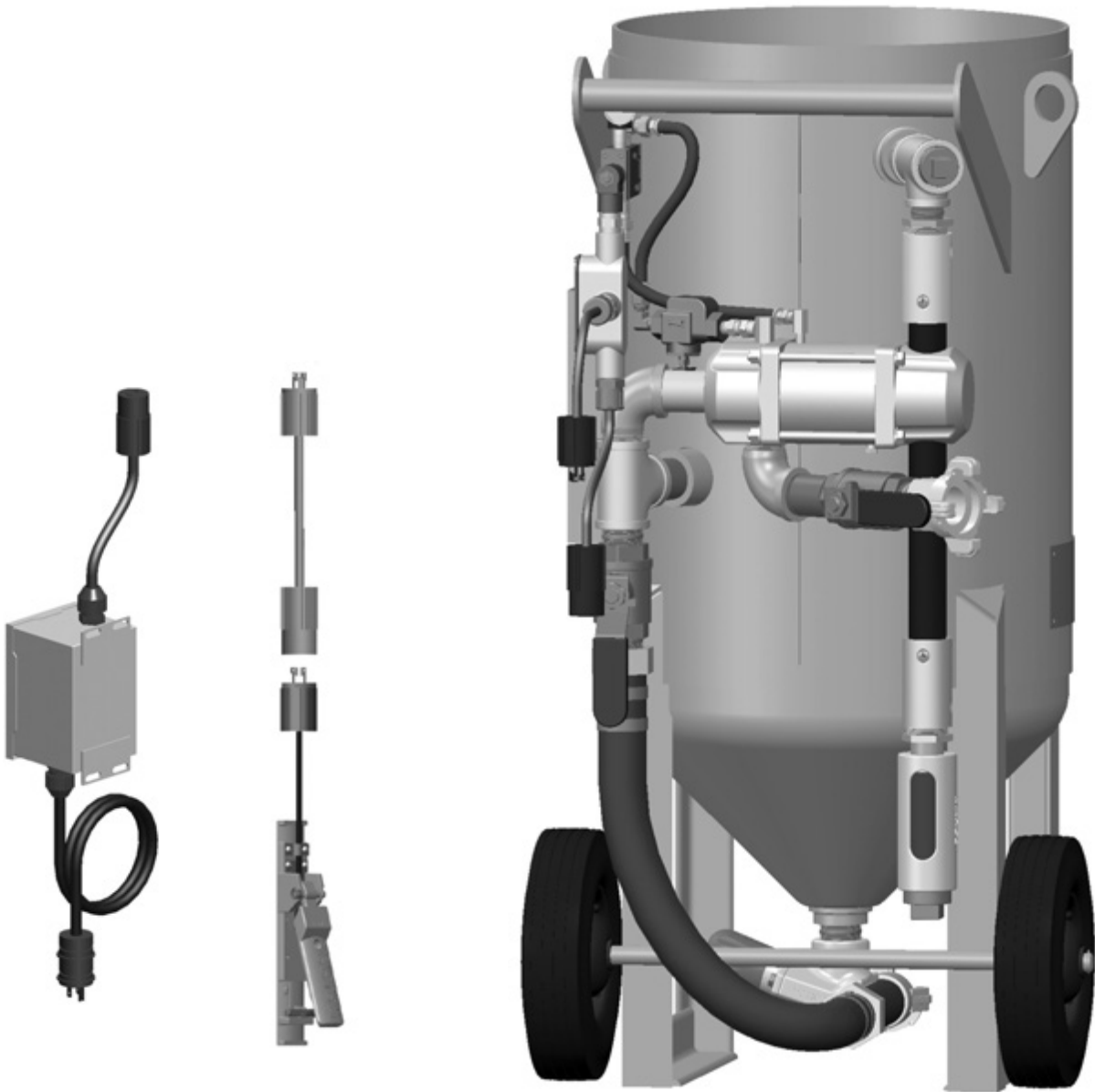
COMPLETE 1-1/2" 120-VOLT AC ELECTRIC CONVERSION KIT – 3.0 THROUGH 3.5 CU. FT. ABRASIVE BLASTING POTS

Part Numbers	Blastmaster® 1-1/2" Bantam Abrasive Metering Valve	12-Volt AC 190 Electric Control Assembly	Blastmaster® 151E Remote Control Switch	Tandem Remote Control Valve	Power Cord – 50 Ft. <i>(to remote control switch)</i>	Blastmaster® 120-Volt AC to 12-Volt AC Power Converter
10107240	X	X	X	X	1015545	X

For converting bare pot to electric remote control system

Includes: 12-Volt AC 190 Electric Control Assembly, Blastmaster® 1-1/2" Bantam Abrasive Metering Valve, Blastmaster® 151E Remote Control Switch, Power Converter, Tandem Remote Control Valve, Power Cord, and various pipe fittings

PART NUMBERS AND SCHEMATICS GUIDE



PART NUMBERS AND SCHEMATICS GUIDE

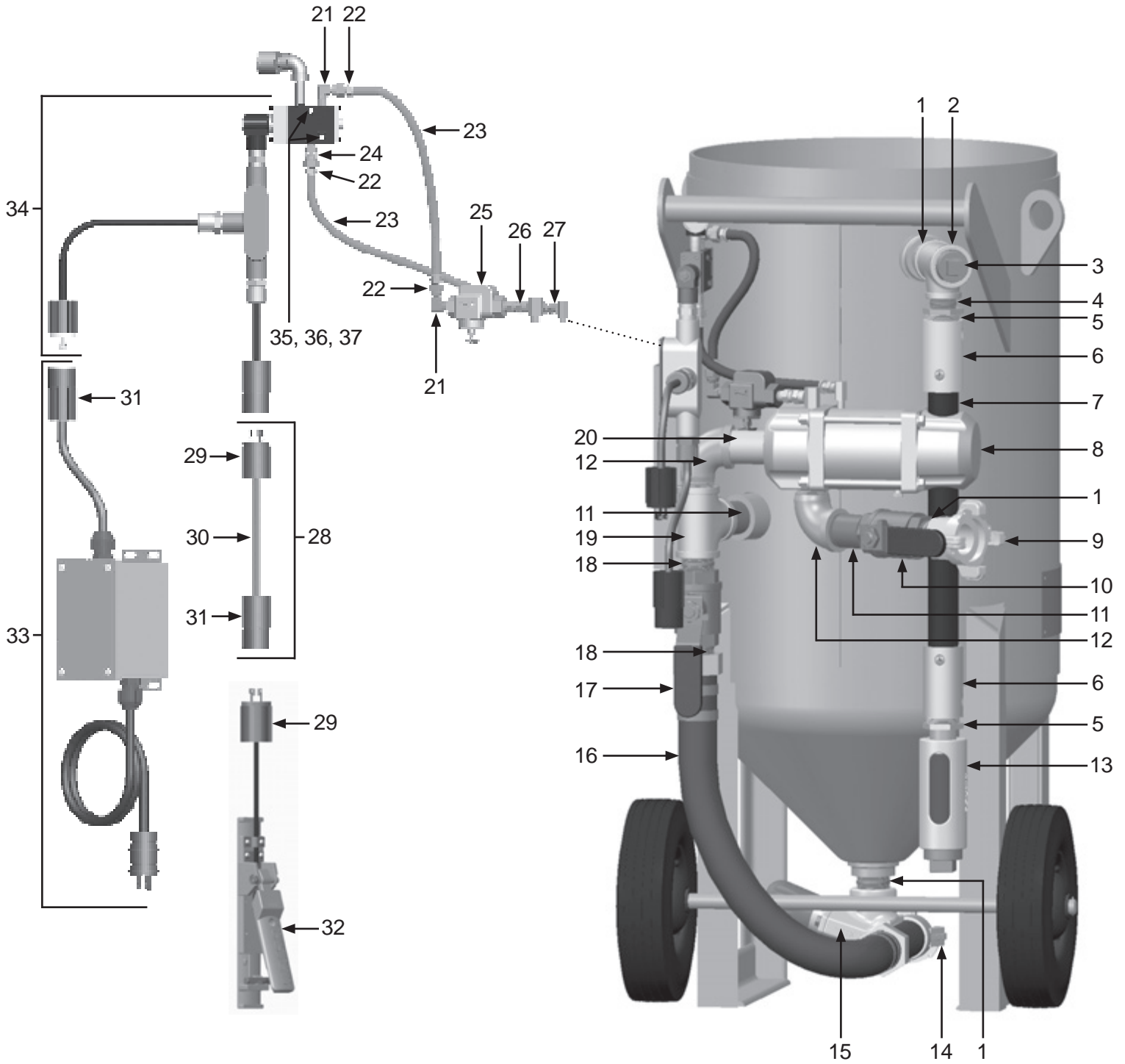
Complete 120-Volt AC Electric Conversion Kit – 3.0 though 3.5 Cu. Ft. Abrasive Blasting Pots – 1-1/2" Metering Valve

Item #	Part #	Description
Fig. 6		
—	10107240	Complete 120-Volt AC Electric Conversion Kit – 1-1/2" Metering Valve
1	1011201	1-1/4" Galvanized Close Nipple
2	1011817	1-1/4" x 1-1/4" x 1" Pipe Tee
3	1011902	1-1/4" Galvanized Square Head Pipe Plug
4	1012151	1" Galvanized Close Nipple
5	1012157	1-1/4" x 1" Bushing
6	10NHA1	3/4" Aluminum Nozzle Holder <i>(Two Required)</i>
7	10BH0342BR	Blastmaster® 3/4" I.D. Heavy-Duty Abrasive Blasting Hose – Per Foot
8	1012300	Tandem Remote Control Valve – Complete
9	10ME3	1-1/4" NPT (F) Air Hose Fitting
10	1011602	1-1/4" NPT Full Port Brass Ball Valve
11	1011204	1-1/4" x 3" Galvanized Nipple <i>(Two Required)</i>
12	1011802	1-1/4" Galvanized Street Elbow
13	1011100	Blastmaster® Abrasive Blasting Pot Muffler
14	10SB2	1-1/2" NPT Brass Tank Coupling
15	1014102	Blastmaster® 1-1/2" Bantam Abrasive Metering Valve
16	1006312	1-1/2" I.D. Pusher Line Assembly
17	1011603	1-1/2" NPT Full Port Brass Ball Valve
18	1014015	1-1/2" Galvanized Close Nipple
19	1011834	1-1/2" x 1-1/4" x 1-1/4" Galvanized Pipe Tee
20	1011216	1-1/4" x 3-1/2" Nipple
21	1012326	1/4" 90° Swivel Fitting <i>(Two Required)</i>
22	10PAF025	1/4" NPT x 1/4" Barb Push-On Air Hose Fitting <i>(Three Required)</i>
23	10AH025	1/4" I.D. Push-On Air Hose <i>(Six Feet Required)</i>
24	10SME025	1/4" Straight Swivel Fitting
25	10WS	Watts Strainer
26	1017019	1/4" Hex Nipple
27	10PAF0125	1/8" NPT x 1/4" Barb Push-On Air Hose Fitting
28	1015545	50' of Power Cord with Male and Female 3-Prong Twist-Lock Plugs <i>(Includes Item #'s: 29, 30 (Quantity of 50'), and 31)</i>
29	1015555	3-Prong Twist Lock Plug – Male
30	1015540	16/2 Electric Cord – Per Foot
31	1015556	3-Prong Twist Lock Plug – Female
32	1015100	Blastmaster® 151E Remote Control Switch
33	1030020	Blastmaster® 120-Volt AC to 12-Volt AC Power Converter
34	1019052	12-Volt AC 190 Electric Control Assembly – Complete
35	1019044	1/4-20 x 1-3/4" Zinc Bolt <i>(Quantity of Two)</i>
36	1014017	1/4" Flat Washer <i>(Quantity of Two)</i>
37	1012323	1/4-20 Zinc Lock Nut with Nylon Insert <i>(Quantity of Two)</i>

See page 46 for product literature

PART NUMBERS AND SCHEMATICS GUIDE

Figure 6: Complete 120-Volt AC Electric Conversion Kit – 3.0 though 3.5 Cu. Ft. Abrasive Blasting Pots – 1-1/2" Metering Valve



PART NUMBERS AND SCHEMATICS GUIDE

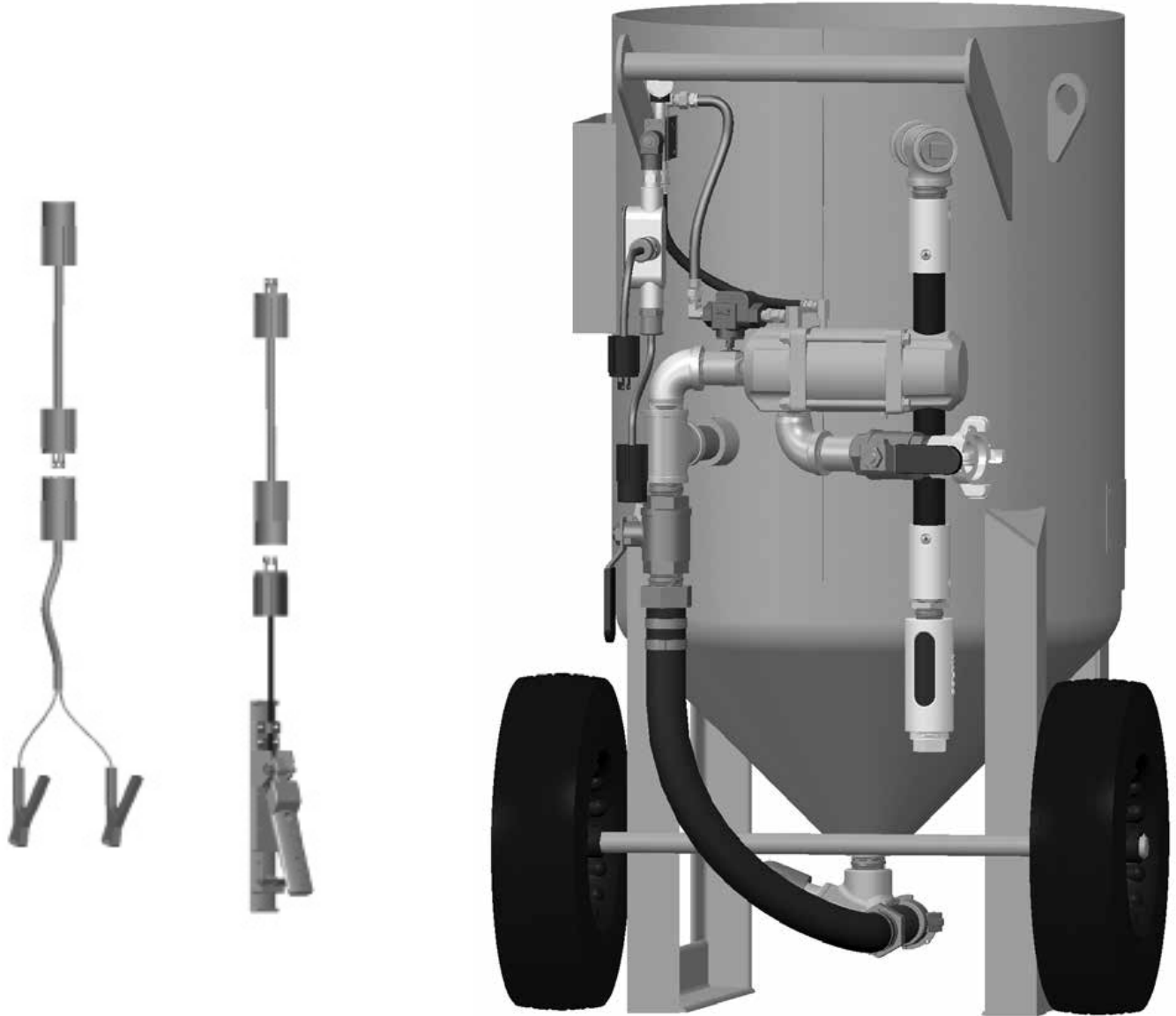
COMPLETE 1-1/4" 12-VOLT DC ELECTRIC CONVERSION KITS – 6.0 THROUGH 6.5 CU. FT. ABRASIVE BLASTING POTS

Part Numbers	Blastmaster® 1-1/4" Bantam Abrasive Metering Valve	12-Volt 190 DC Electric Control Assembly	Blastmaster® 151E Remote Control Switch	Tandem Remote Control Valve	Power Cord – 25 Ft. <i>(to power source)</i>	Power Cord – 50 Ft. <i>(to remote control switch)</i>	Battery Clamps
1012361	X	X	X	X	1015546	1015545	X

For converting bare pot to electric remote control system

Includes: 12-Volt DC 190 Electric Control Assembly, Blastmaster® 1-1/4" Bantam Abrasive Metering Valve, Blastmaster® 151E Remote Control Switch, Tandem Remote Control Valve, Power Cord, Battery Clamps, and various pipe fittings

PART NUMBERS AND SCHEMATICS GUIDE



PART NUMBERS AND SCHEMATICS GUIDE

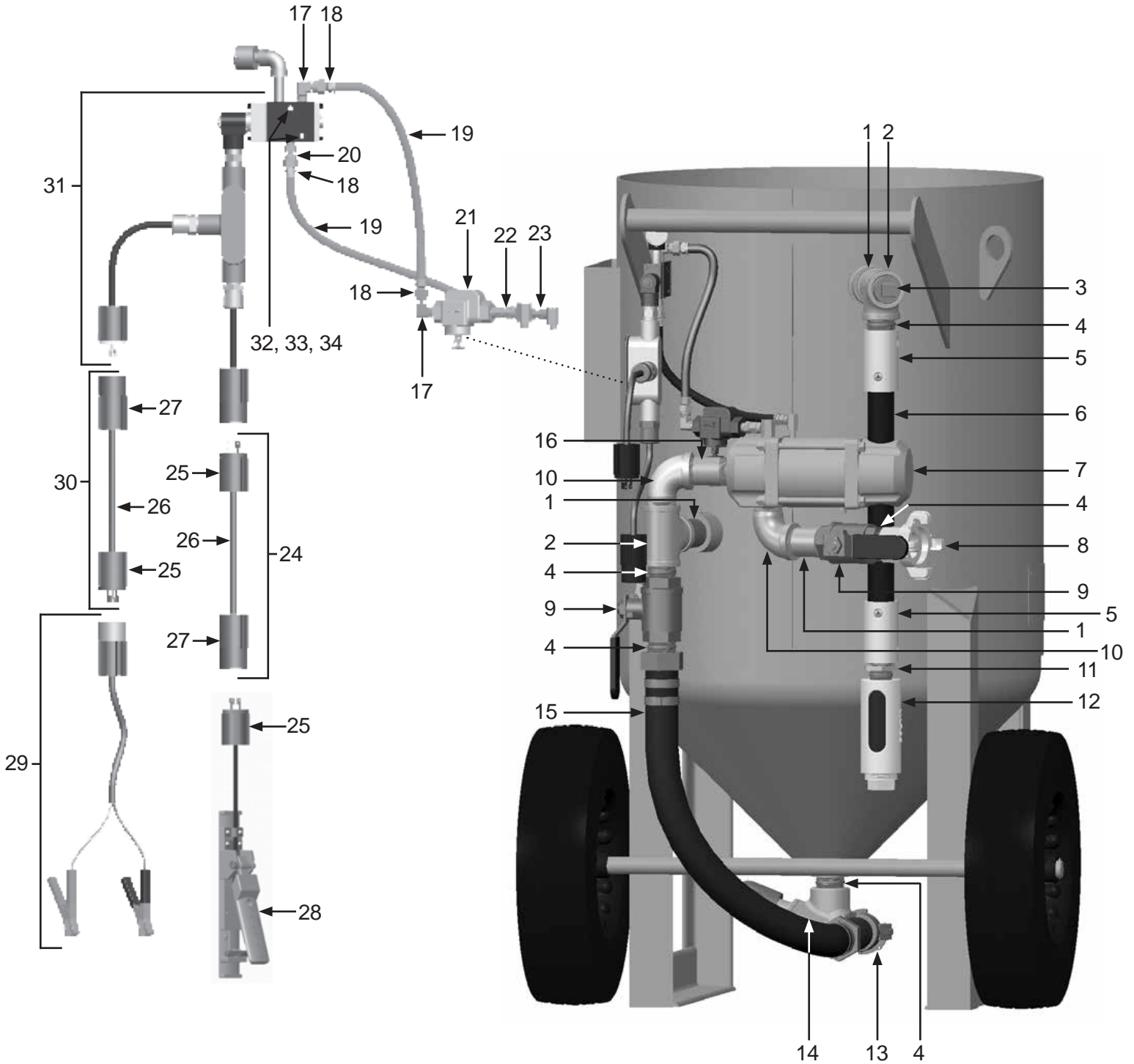
Complete 12-Volt DC Electric Conversion Kit – 6.0 through 6.5 Cu. Ft. Abrasive Blasting Pots – 1-1/4" Metering Valve

Item #	Part #	Description
Fig. 7		
—	1012361	Complete 12-Volt DC Electric Conversion Kit – 1/4" Metering Valve
1	1011204	1-1/4" x 3" Galvanized Nipple (<i>Three Required</i>)
2	1011803	1-1/4" Pipe Tee (<i>Two Required</i>)
3	1011902	1-1/4" Galvanized Square Head Pipe Plug
4	1011201	1-1/4" Galvanized Close Nipple (<i>Five Required</i>)
5	10NHA1	3/4" Aluminum Nozzle Holder (<i>Two Required</i>)
6	10BH0342BR	Blastmaster® 3/4" I.D. Heavy-Duty Abrasive Blasting Hose – Per Foot
7	1012300	Tandem Remote Control Valve – Complete
8	10ME3	1-1/4" NPT (F) Air Hose Fitting
9	1011602	1-1/4" NPT Full Port Brass Ball Valve (<i>Two Required</i>)
10	1011802	1-1/4" Galvanized Street Elbow (<i>Two Required</i>)
11	1012157	1-1/4" x 1" Bushing
12	1011100	Blastmaster® Abrasive Blasting Pot Muffler
13	10SB2S	1-1/2" NPT Brass Tank Coupling
14	1014101	Blastmaster® 1-1/4" Bantam Abrasive Metering Valve
15	1006311	1-1/4" I.D. Pusher Line Assembly
16	1011216	1-1/4" x 3-1/2" Nipple
17	1012326	1/4" 90° Swivel Fitting (<i>Two Required</i>)
18	10PAF025	1/4" NPT x 1/4" Barb Push-On Air Hose Fitting (<i>Three Required</i>)
19	10AH025	1/4" I.D. Push-On Air Hose (<i>Six Feet Required</i>)
20	10SME025	1/4" Straight Swivel Fitting
21	10WS	Watts Strainer
22	1017019	1/4" Hex Nipple
23	10PAF0125	1/8" NPT x 1/4" Barb Push-On Air Hose Fitting
24	1015545	50' of Power Cord with Male and Female 3-Prong Twist-Lock Plugs (<i>Includes Item #'s: 25, 26 (Quantity of 50'), and 27</i>)
25	1015555	3-Prong Twist Lock Plug – Male
26	1015540	16/2 Electric Cord – Per Foot
27	1015556	3-Prong Twist Lock Plug – Female
28	1015100	Blastmaster® 151E Remote Control Switch
29	1015544	Battery Clamp Kit
30	1015546	25' of Power Cord with Male and Female 3-Prong Twist-Lock Plugs (<i>Includes Item #'s: 25, 26 (Quantity of 25'), and 27</i>)
31	1019051	12-Volt DC 190 Electric Control Assembly – Complete
32	1019044	1/4-20 x 1-3/4" Zinc Bolt (<i>Quantity of Two</i>)
33	1014017	1/4" Flat Washer (<i>Quantity of Two</i>)
34	1012323	1/4-20 Zinc Lock Nut with Nylon Insert (<i>Quantity of Two</i>)

See page 46 for product literature

PART NUMBERS AND SCHEMATICS GUIDE

Figure 7: Complete 12-Volt DC Electric Conversion Kit – 6.0 through 6.5 Cu. Ft. Abrasive Blasting Pots – 1-1/4" Metering Valve



PART NUMBERS AND SCHEMATICS GUIDE

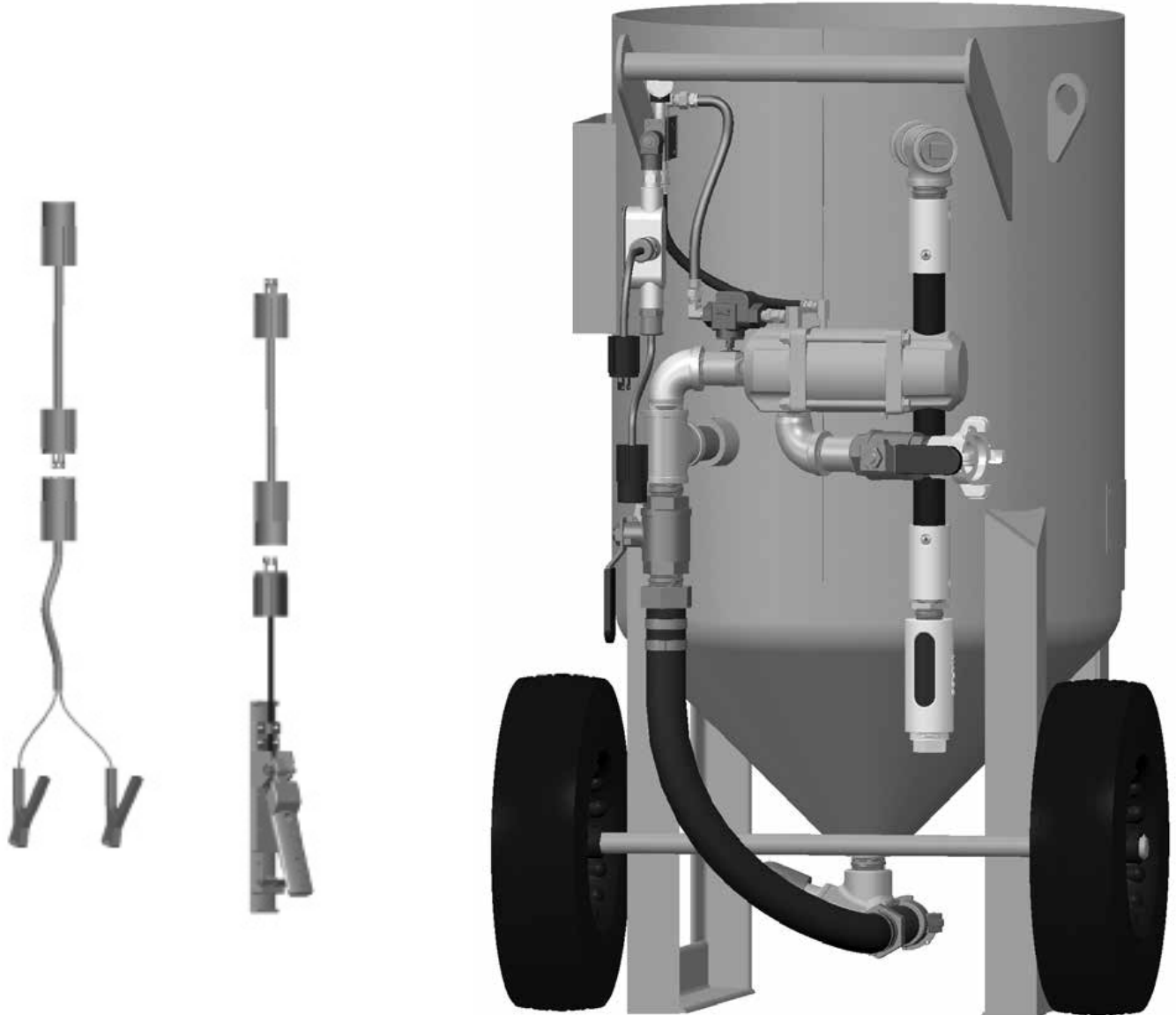
COMPLETE 1-1/2" 12-VOLT DC ELECTRIC CONVERSION KITS – 6.0 THROUGH 6.5 CU. FT. ABRASIVE BLASTING POTS

Part Numbers	Blastmaster® 1-1/2" Bantam Abrasive Metering Valve	12-Volt DC 190 Electric Control Assembly	Blastmaster® 151E Remote Control Switch	Tandem Remote Control Valve	Power Cord – 25 Ft. <i>(to power source)</i>	Power Cord – 50 Ft. <i>(to remote control switch)</i>	Battery Clamps
1012366	X	X	X	X	1015546	1015545	X

For converting bare pot to electric remote control system

Includes: 12-Volt DC 190 Electric Control Assembly, Blastmaster® 1-1/2" Bantam Abrasive Metering Valve, Blastmaster® 151E Remote Control Switch, Tandem Remote Control Valve, Power Cord, Battery Clamps, and various pipe fittings

PART NUMBERS AND SCHEMATICS GUIDE



PART NUMBERS AND SCHEMATICS GUIDE

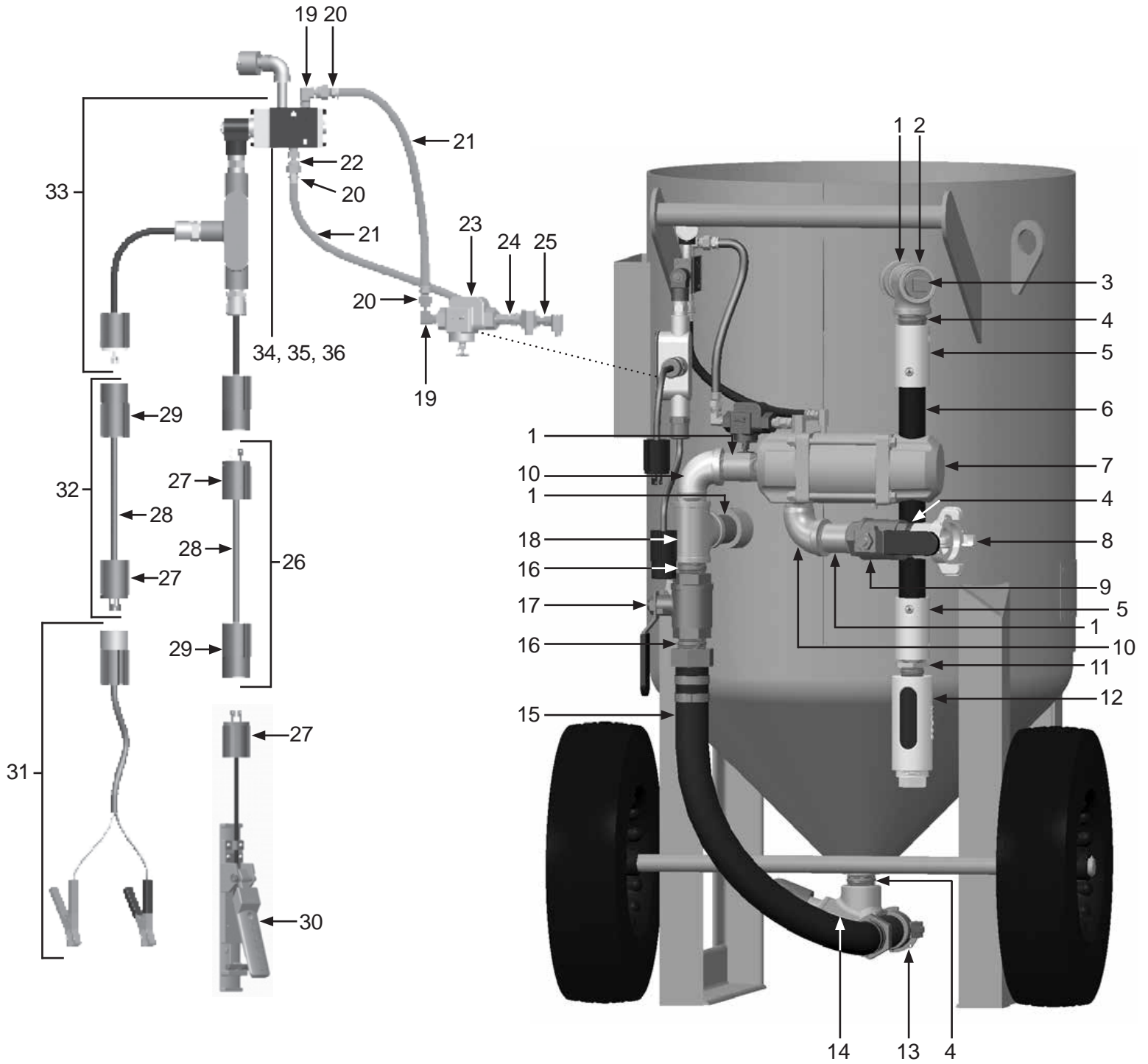
Complete 12-Volt DC Electric Conversion Kit – 6.0 through 6.5 Cu. Ft. Abrasive Blasting Pots – 1-1/2" Metering Valve

Item #	Part #	Description
Fig. 8		
—	1012366	Complete 12-Volt DC Electric Conversion Kit – 1/2" Metering Valve
1	1011204	1-1/4" x 3" Galvanized Nipple
2	1011803	1-1/4" Pipe Tee
3	1011902	1-1/4" Galvanized Square Head Pipe Plug
4	1011201	1-1/4" Galvanized Close Nipple
5	10NHA1	3/4" Aluminum Nozzle Holder <i>(Two Required)</i>
6	10BH0342BR	Blastmaster® 3/4" I.D. Heavy-Duty Abrasive Blasting Hose – Per Foot
7	1012300	Tandem Remote Control Valve – Complete
8	10ME3	1-1/4" NPT (F) Air Hose Fitting
9	1011602	1-1/4" NPT Full Port Brass Ball Valve
10	1011802	1-1/4" Galvanized Street Elbow <i>(Two Required)</i>
11	1012157	1-1/4" x 1" Bushing
12	1011100	Blastmaster® Abrasive Blasting Pot Muffler
13	10SB2S	1-1/2" NPT Brass Tank Coupling
14	1014102	Blastmaster® 1-1/2" Bantam Abrasive Metering Valve
15	1006312	1-1/2" I.D. Pusher Line Assembly
16	1014015	1-1/2" Galvanized Close Nipple <i>(Two Required)</i>
17	1011603	1-1/2" NPT Full Port Brass Ball Valve
18	1011834	1-1/2" x 1-1/4" x 1-1/4" Galvanized Pipe Tee
19	1012326	1/4" 90° Swivel Fitting <i>(Two Required)</i>
20	10PAF025	1/4" NPT x 1/4" Barb Push-On Air Hose Fitting <i>(Three Required)</i>
21	10AH025	1/4" I.D. Push-On Air Hose <i>(Six Feet Required)</i>
22	10SME025	1/4" Straight Swivel Fitting
23	10WS	Watts Strainer
24	1017019	1/4" Hex Nipple
25	10PAF0125	1/8" NPT x 1/4" Barb Push-On Air Hose Fitting
26	1015545	50' of Power Cord with Male and Female 3-Prong Twist-Lock Plugs <i>(Includes Item #'s: 27, 28 (Quantity of 50'), and 29)</i>
27	1015555	3-Prong Twist Lock Plug – Male
28	1015540	16/2 Electric Cord – Per Foot
29	1015556	3-Prong Twist Lock Plug – Female
30	1015100	Blastmaster® 151E Remote Control Switch
31	1015544	Battery Clamp Kit
32	1015546	25' of Power Cord with Male and Female 3-Prong Twist-Lock Plugs <i>(Includes Item #'s: 27, 28 (Quantity of 25'), and 29)</i>
33	1019051	12-Volt DC 190 Electric Control Assembly – Complete
34	1019044	1/4-20 x 1-3/4" Zinc Bolt <i>(Quantity of Two)</i>
35	1014017	1/4" Flat Washer <i>(Quantity of Two)</i>
36	1012323	1/4-20 Zinc Lock Nut with Nylon Insert <i>(Quantity of Two)</i>

See page 46 for product literature

PART NUMBERS AND SCHEMATICS GUIDE

Figure 8: Complete 12-Volt DC Electric Conversion Kit – 6.0 through 6.5 Cu. Ft. Abrasive Blasting Pots – 1-1/2" Metering Valve



PART NUMBERS AND SCHEMATICS GUIDE

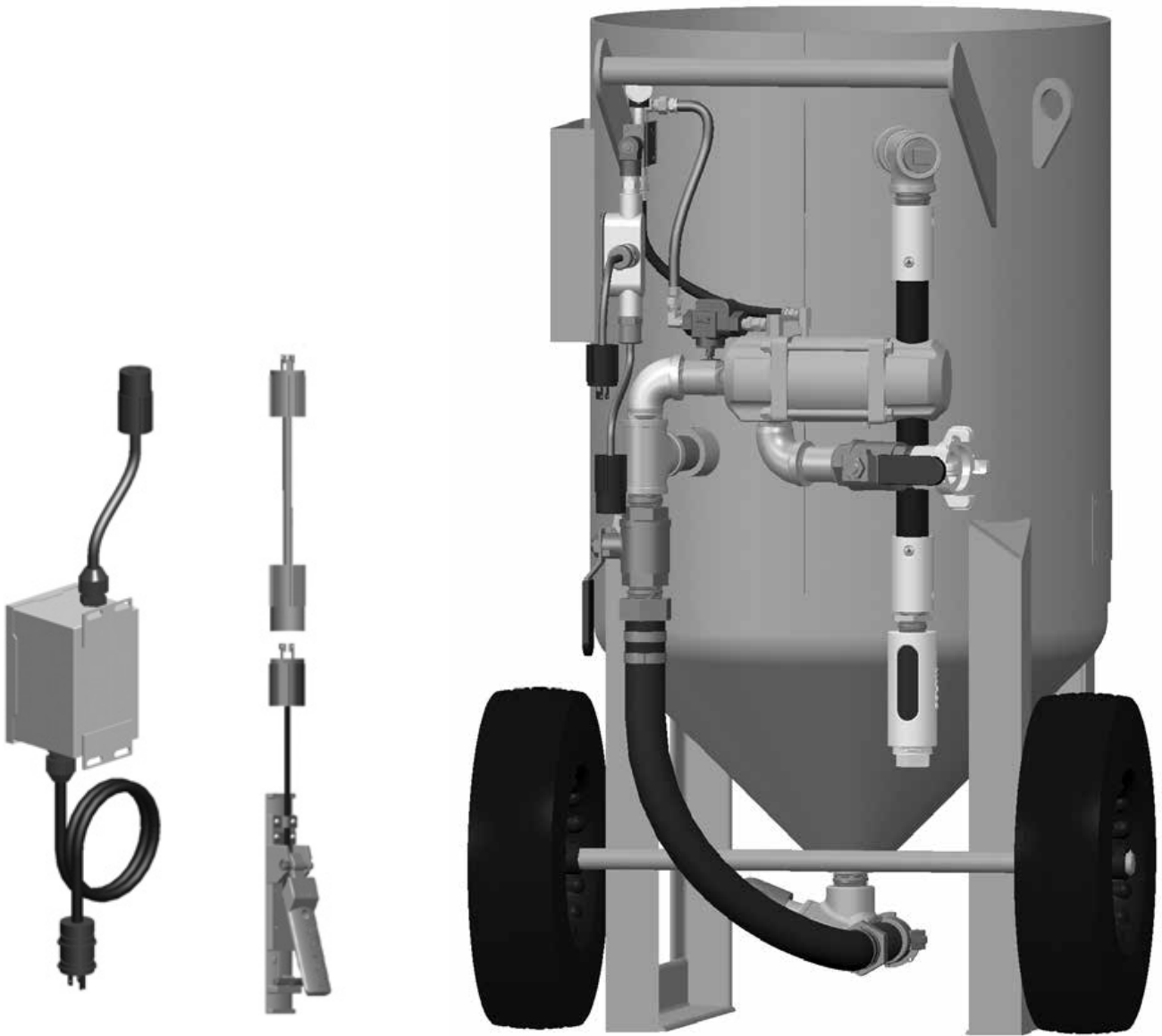
COMPLETE 1-1/4" 120-VOLT AC ELECTRIC CONVERSION KITS – 6.0 THROUGH 6.5 CU. FT. ABRASIVE BLASTING POTS

Part Numbers	Blastmaster® 1-1/4" Bantam Abrasive Metering Valve	12-Volt AC 190 Electric Control Assembly	Blastmaster® 151E Remote Control Switch	Tandem Remote Control Valve	Power Cord – 50 Ft. <i>(to remote control switch)</i>	Blastmaster® 120-Volt AC to 12-Volt AC Power Converter
1012362	X	X	X	X	1015545	X

For converting bare pot to electric remote control system

Includes: 12-Volt AC 190 Electric Control Assembly, Blastmaster® 1-1/4" Bantam Abrasive Metering Valve, Blastmaster® 151E Remote Control Switch, Power Converter, Tandem Remote Control Valve, Power Cord, and various pipe fittings

PART NUMBERS AND SCHEMATICS GUIDE



PART NUMBERS AND SCHEMATICS GUIDE

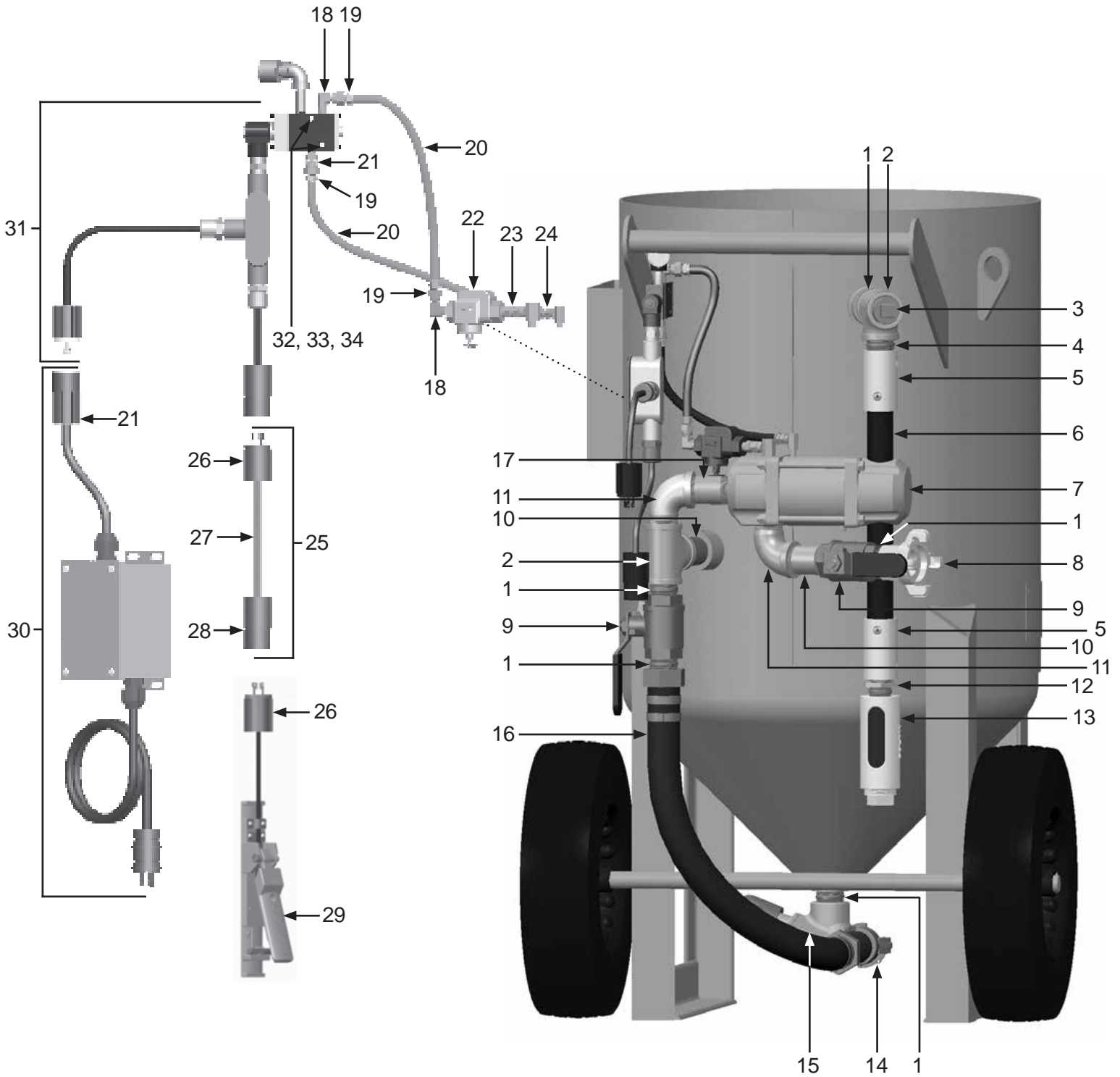
Complete 120-Volt AC Electric Conversion Kit – 6.0 through 6.5 Cu. Ft. Abrasive Blasting Pots – 1-1/4" Metering Valve

Item #	Part #	Description
Fig. 9		
—	1012362	Complete 120-Volt AC Electric Conversion Kit – 1-1/4" Metering Valve
1	1011204	1-1/4" x 3" Galvanized Close Nipple (<i>Five Required</i>)
2	1011803	1-1/4" Pipe Tee (<i>Two Required</i>)
3	1011902	1-1/4" Galvanized Square Head Pipe Plug
4	1011201	1-1/4" Galvanized Close Nipple
5	10NHA1	3/4" Aluminum Nozzle Holder (<i>Two Required</i>)
6	10BH0342BR	Blastmaster® 3/4" I.D. Heavy-Duty Abrasive Blasting Hose – Per Foot
7	1012300	Tandem Remote Control Valve – Complete
8	10ME3	1-1/4" NPT (F) Air Hose Fitting
9	1011602	1-1/4" NPT Full Port Brass Ball Valve (<i>Two Required</i>)
10	1011204	1-1/4" x 3" Galvanized Nipple
11	1011802	1-1/4" Galvanized Street Elbow (<i>Two Required</i>)
12	1012157	1-1/4" x 1" Bushing
13	1011100	Blastmaster® Abrasive Blasting Pot Muffler
14	10SB2	1-1/2" NPT Brass Tank Coupling
15	1014101	Blastmaster® 1-1/4" Bantam Abrasive Metering Valve
16	1006311	1-1/4" I.D. Pusher Line Assembly
17	1011216	1-1/4" x 3-1/2" Nipple
18	1012326	1/4" 90° Swivel Fitting (<i>Two Required</i>)
19	10PAF025	1/4" NPT x 1/4" Barb Push-On Air Hose Fitting (<i>Three Required</i>)
20	10AH025	1/4" I.D. Push-On Air Hose (<i>Six Feet Required</i>)
21	10SME025	1/4" Straight Swivel Fitting
22	10WS	Watts Strainer
23	1017019	1/4" Hex Nipple
24	10PAF0125	1/8" NPT x 1/4" Barb Push-On Air Hose Fitting
25	1015545	50' of Power Cord with Male and Female 3-Prong Twist-Lock Plugs (<i>Includes Item #'s: 26, 27 (Quantity of 50'), and 28</i>)
26	1015555	3-Prong Twist Lock Plug – Male
27	1015540	16/2 Electric Cord – Per Foot
28	1015556	3-Prong Twist Lock Plug – Female
29	1015100	Blastmaster® 151E Remote Control Switch
30	1030020	Blastmaster® 120-Volt AC to 12-Volt AC Power Converter
31	1019052	12-Volt AC 190 Electric Control Assembly – Complete
32	1019044	1/4-20 x 1-3/4" Zinc Bolt (<i>Quantity of Two</i>)
33	1014017	1/4" Flat Washer (<i>Quantity of Two</i>)
34	1012323	1/4-20 Zinc Lock Nut with Nylon Insert (<i>Quantity of Two</i>)

See page 46 for product literature

PART NUMBERS AND SCHEMATICS GUIDE

Figure 9: Complete 120-Volt AC Electric Conversion Kit – 6.0 through 6.5 Cu. Ft. Abrasive Blasting Pots – 1-1/4" Metering Valve



PART NUMBERS AND SCHEMATICS GUIDE

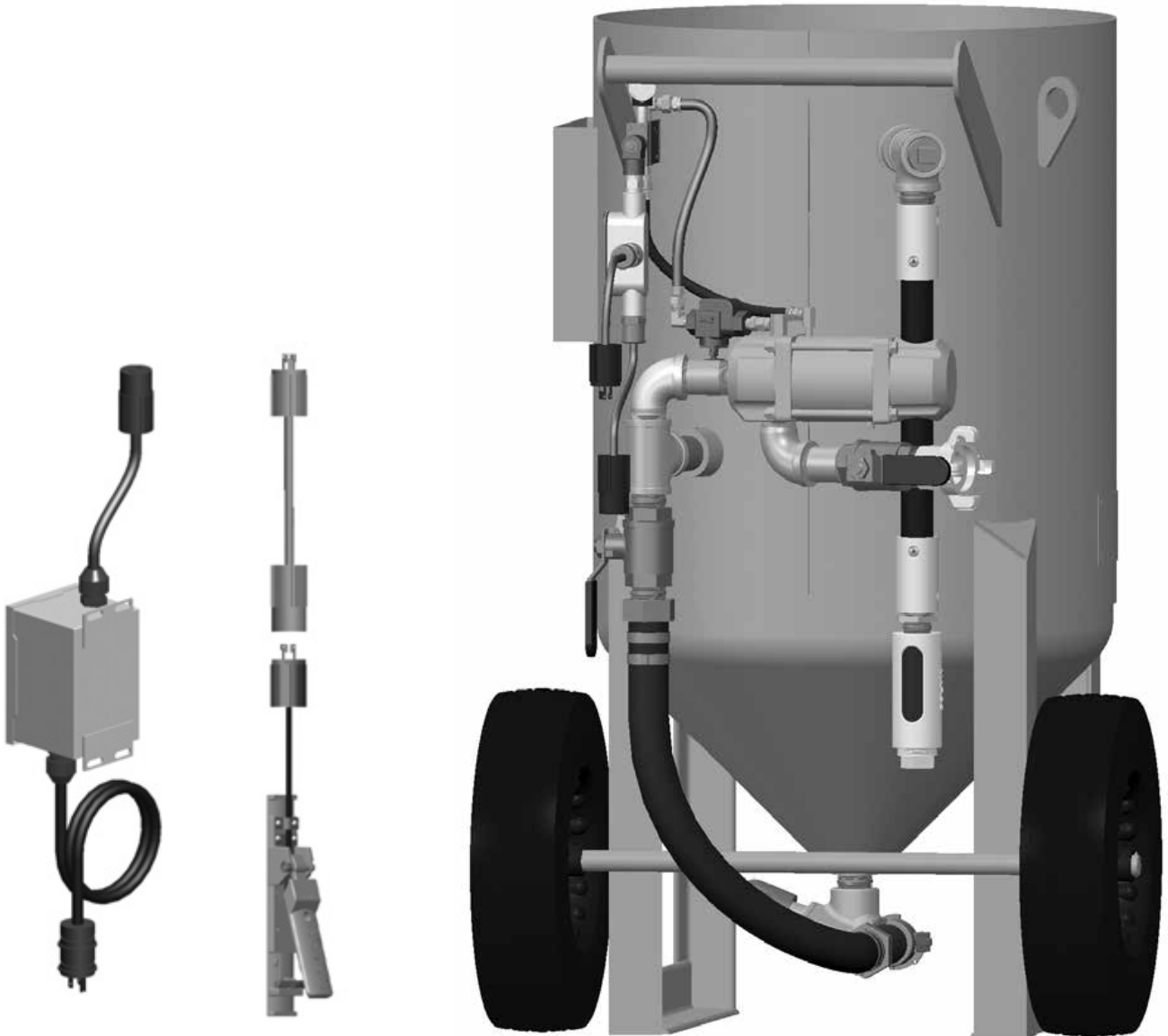
COMPLETE 1-1/2" 120-VOLT AC ELECTRIC CONVERSION KITS – 6.0 THROUGH 6.5 CU. FT. ABRASIVE BLASTING POTS

Part Numbers	Blastmaster® 1-1/2" Bantam Abrasive Metering Valve	12-Volt AC 190 Electric Control Assembly	Blastmaster® 151E Remote Control Switch	Tandem Remote Control Valve	Power Cord – 50 Ft. <i>(to remote control switch)</i>	Blastmaster® 120-Volt AC to 12-Volt AC Power Converter
1012367	X	X	X	X	1015545	X

For converting bare pot to electric remote control system

Includes: 12-Volt AC 190 Electric Control Assembly, Blastmaster® 1-1/2" Bantam Abrasive Metering Valve, Blastmaster® 151E Remote Control Switch, Power Converter, Tandem Remote Control Valve, Power Cord, and various pipe fittings

PART NUMBERS AND SCHEMATICS GUIDE



PART NUMBERS AND SCHEMATICS GUIDE

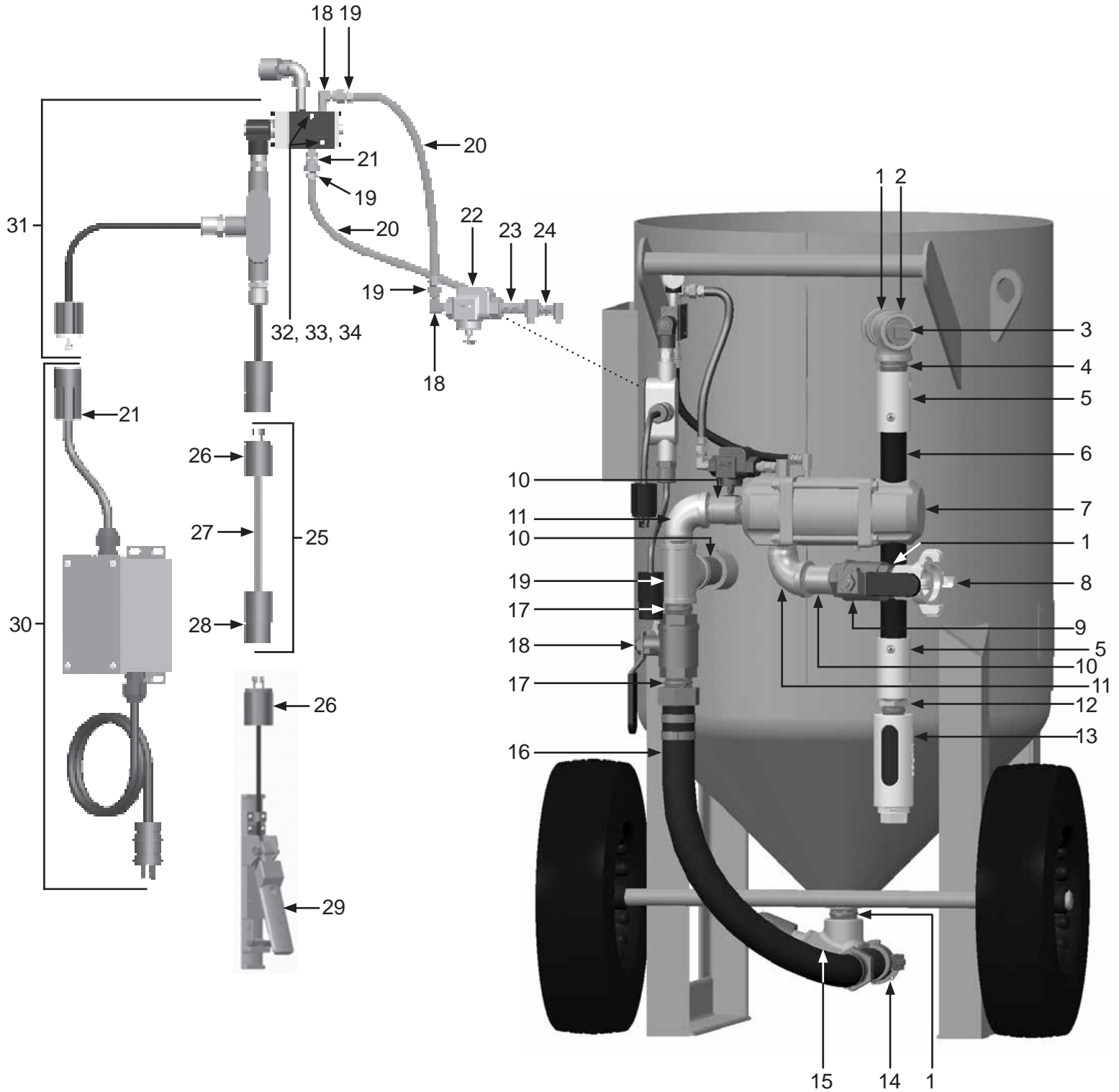
Complete 120-Volt AC Electric Conversion Kit – 6.0 through 6.5 Cu. Ft. Abrasive Blasting Pots – 1-1/2" Metering Valve

Item #	Part #	Description
Fig. 10		
—	1012367	Complete 120-Volt AC Electric Conversion Kit – 1-1/2" Metering Valve
1	1011204	1-1/4" x 3" Galvanized Close Nipple (<i>Three Required</i>)
2	1011803	1-1/4" Pipe Tee
3	1011902	1-1/4" Galvanized Square Head Pipe Plug
4	1011201	1-1/4" Galvanized Close Nipple
5	10NHA1	3/4" Aluminum Nozzle Holder (<i>Two Required</i>)
6	10BH0342BR	Blastmaster® 3/4" I.D. Heavy-Duty Abrasive Blasting Hose – Per Foot
7	1012300	Tandem Remote Control Valve – Complete
8	10ME3	1-1/4" NPT (F) Air Hose Fitting
9	1011602	1-1/4" NPT Full Port Brass Ball Valve
10	1011204	1-1/4" x 3" Galvanized Nipple
11	1011802	1-1/4" Galvanized Street Elbow (<i>Two Required</i>)
12	1012157	1-1/4" x 1" Bushing
13	1011100	Blastmaster® Abrasive Blasting Pot Muffler
14	10SB2	1-1/2" NPT Brass Tank Coupling
15	1014102	Blastmaster® 1-1/2" Bantam Abrasive Metering Valve
16	1006312	1-1/2" I.D. Pusher Line Assembly
17	1014015	1-1/2" Galvanized Close Nipple (<i>Two Required</i>)
18	1011603	1-1/2" NPT Full Port Brass Ball Valve
19	1011834	1-1/2" x 1-1/4" x 1-1/4" Galvanized Pipe Tee
18	1012326	1/4" 90° Swivel Fitting (<i>Two Required</i>)
19	10PAF025	1/4" NPT x 1/4" Barb Push-On Air Hose Fitting (<i>Three Required</i>)
20	10AH025	1/4" I.D. Push-On Air Hose (<i>Six Feet Required</i>)
21	10SME025	1/4" Straight Swivel Fitting
22	10WS	Watts Strainer
23	1017019	1/4" Hex Nipple
24	10PAF0125	1/8" NPT x 1/4" Barb Push-On Air Hose Fitting
25	1015545	50' of Power Cord with Male and Female 3-Prong Twist-Lock Plugs (<i>Includes Item #'s: 26, 27 (Quantity of 50'), and 28</i>)
26	1015555	3-Prong Twist Lock Plug – Male
27	1015540	16/2 Electric Cord – Per Foot
28	1015556	3-Prong Twist Lock Plug – Female
29	1015100	Blastmaster® 151E Remote Control Switch
30	1030020	Blastmaster® 120-Volt AC to 12-Volt AC Power Converter
31	1019052	12-Volt AC 190 Electric Control Assembly – Complete
32	1019044	1/4-20 x 1-3/4" Zinc Bolt (<i>Quantity of Two</i>)
33	1014017	1/4" Flat Washer (<i>Quantity of Two</i>)
34	1012323	1/4-20 Zinc Lock Nut with Nylon Insert (<i>Quantity of Two</i>)



See page 46 for product literature



PART NUMBERS AND SCHEMATICS GUIDE

Figure 10: Complete 120-Volt AC Electric Conversion Kit – 6.0 through 6.5 Cu. Ft. Abrasive Blasting Pots – 1-1/2" Metering Valve






OPTIONAL ACCESSORIES

		ELECTRIC CORD					
	Part Numbers	Gauge	# of Wires	Color	Cover	Outer Jacket Material	U.O.M.
	1015540	16	2	Red	Xtreme-Duty®	Polyurethane	Per Foot
	10106833	16	2	Black	Economy	Thermoplastic Elastomer	Per Foot
	1030013	14	2	Black	Economy	Thermoplastic Elastomer	Per Foot
	1015550	14	3	Black	Economy	Thermoplastic Elastomer	Per Foot

		ELECTRIC CONTROL LINE WITH PLUGS							
	Part Numbers	Gauge	# of Wires	Color	Cover	Outer Jacket Material	3-Prong Male Twist-Lock Plug	3-Prong Female Twist-Lock Plug	U.O.M.
	1015546	16	2	Red	Xtreme-Duty®	Polyurethane	1015555	1015556	25 Ft.
	1015545	16	2	Red	Xtreme-Duty®	Polyurethane	1015555	1015556	50 Ft.
	1015547	16	2	Red	Xtreme-Duty®	Polyurethane	1015555	1015556	100 Ft.
	10106870	16	2	Black	Economy	Thermoplastic Elastomer	1015555	1015556	25 Ft.
	10106869	16	2	Black	Economy	Thermoplastic Elastomer	1015555	1015556	50 Ft.
	10106868	16	2	Black	Economy	Thermoplastic Elastomer	1015555	1015556	100 Ft.

OPTIONAL ACCESSORIES

		ELECTRIC CONTROL LINE PLUGS	
Part Numbers		Prong Style	Plug Style
	1030026	3-Prong Male	Standard
	1015555	3-Prong Male	Twist-Lock
	1015556	3-Prong Female	Twist-Lock

LITERATURE REFERENCES

Remote Control System

105M089	Features and Specifications Guide – Blastmaster® 123E Remote Control System
106M089	Part Numbers and Schematics Guide – Blastmaster® 123E Remote Control System
1090089	Operator's Manual – Blastmaster® 123E Remote Control System

Remote Control Switch

105M063	Features and Specifications Guide – Blastmaster® 151E Remote Control Switch
106M063	Part Numbers and Schematics Guide – Blastmaster® 151E Remote Control Switch
1090063	Operator's Manual – Blastmaster® 151E Remote Control Switch

Abrasive Metering Valve

105M022	Features and Specifications Guide – Blastmaster® Bantam Abrasive Metering Valve
106M022	Part Numbers and Schematics Guide – Blastmaster® Bantam Abrasive Metering Valve
1090022	Operator's Manual – Blastmaster® Bantam Abrasive Metering Valve

Abrasive Blasting Pot Muffler

105M347	Features and Specifications Guide – Abrasive Blasting Pot Muffler
106M347	Part Numbers and Schematics Guide – Abrasive Blasting Pot Muffler

GLOBAL HEADQUARTERS

- 3425 East Locust Street
Davenport, IA 52803

ph: 800.BLAST.IT (800.252.7848)
ph: 563.324.2519
fax: 563.324.6258

REGIONAL BRANCH OFFICES

- **Iowa**
Davenport
- **Louisiana**
Gonzales
Lafayette
- **Ohio**
Youngstown
- **Texas**
Beaumont
Corpus Christi
Deer Park



ABRASIVES
BLASTING
COATING
DUST COLLECTORS
ENGINEERED SYSTEMS
RENTAL
SAFETY
SERVICE, REPAIR, & MODERNIZATION
VACUUMS

40+ NATIONWIDE SHIPPING LOCATIONS



★ Marco Regional Branch Offices and Shipping Locations ● Direct Shipping Locations

CONTACT MARCO

800.BLAST.IT
(800.252.7848)
563.324.2519
FAX: 563.324.6258

WWW.MARCO.US
SALES@MARCO.US