



BLASTMASTER® 123E REMOTE CONTROL SYSTEM



BUILT MARCO TOUGH
MARCO MANUFACTURED

PART NUMBERS AND SCHEMATICS GUIDE

Company Profile

Since 1944, Marco has developed a strong tradition of providing innovative and reliable products and services to the surface preparation and protective coatings industries. We are the world's premier provider of Abrasives, Blasting, Coating, Dust Collectors, Engineered Systems, Rental, Safety, Service, Repair, & Modernization, and Vacuums.

Through innovative designs and a total commitment to quality, Marco manufactures products that increase production rates, create a safer workplace, and reduce maintenance costs. Marco's industry experience, manufacturing capabilities, legendary customer service, product availability, logistics services, and technology leadership is your assurance that we deliver high quality products and services, providing the best value to you, our customer.

The Marco Difference

- **Industry Experience** – With Marco on your team, you have access to expertise which can only come from decades of industry leadership. We have organized our engineering department, production specialists, customer operations, and safety support into a “Center of Competence.” As a Marco customer, you have access to hundreds of years of cumulative experience related to your operations.
- **Manufacturing Excellence** – Marco is a U.S. based, ISO 9001:2008 certified manufacturer of equipment for the Surface Preparation and Protective Coatings industries. Marco's engineers benchmark the industry to ensure that we design and manufacture superior products that set the “Gold Standard” for performance, safety, and quality.
- **Legendary Customer Service** – Marco's legendary customer service team is staffed by friendly, highly-trained individuals who are focused on providing the highest level of product support, order accuracy, and customer satisfaction.
- **Product Availability** – We stock over 10,000 SKU's and have more than 45 shipping locations to serve North American and International markets for all major brands of blasting and coating equipment. As the largest provider of surface preparation and protective coatings equipment in the world, our inventory levels and product availability are unmatched.
- **Logistics Services** – Marco's in-house logistics team is dedicated to moving your shipment anywhere in the world. We move more than 14,000 truckloads every year, allowing you to save on freight costs by leveraging our buying power. Lower your process costs with a single invoice, which includes product and freight.
- **Technology Leadership** – Our website provides: Operator's Manuals, Part Numbers and Schematics Guides, SDS information, and Features & Specifications Guides, providing access to information 24/7. Our Extranet application allows you to receive quotes and place orders online. Our Intranet maintains a complete record of your purchase history to assist with ongoing support of your existing equipment and future purchasing decisions.

Vision Statement

Marco is the world's premier provider of Abrasives, Blasting, Coating, Dust Collectors, Engineered Systems, Rental, Safety, Service, Repair, & Modernization, and Vacuums.

Mission Statement

Marco provides strong leadership and innovation to the surface preparation and protective coatings industries. We dedicate our efforts to the continuous improvement of our products, services, processes, people, and most importantly, the quality of our customer's experience.

Quality Statement

Marco is committed to providing superior quality in the design, manufacturing, distribution, rental, service, and repair of our products. Our ISO 9001:2008 certification extends throughout all operations in all locations. Continuous improvement of our processes and supply chain Integration comprise the core of our business strategy for delivering exceptional quality and value in all Marco products and services.

Management Philosophy

We are a company dedicated to the success of every customer and associate. We discuss, debate, challenge, measure, and test our ideas. We will be boundless and limitless in our passion to improve. Through sound leadership and dedicated associates, we will ensure a long term, profitable future for Marco, our associates, customers, and suppliers.

TABLE OF CONTENTS

Company Profile	2
Table of Contents	3
Part Numbers	4-5
Part Numbers & Schematics	6-17
12-Volt DC Blastmaster® 123E Remote Control System	6-7
12-Volt DC 190 Electric Control Assembly	8
12-Volt DC 190 Electric Solenoid	9
120-Volt AC Blastmaster® 123E Remote Control System	10-11
12-Volt AC 190 Electric Control Assembly	12
12-Volt AC 190 Electric Solenoid	13
Tandem Remote Control Valve	14
120-Volt AC to 12-Volt AC Power Converter	15
Blastmaster® 151E Remote Control Switch	16
Blastmaster® Exhaust Muffler	17
Optional Accessories	18-20
Maintenance Notes	21-23

PART NUMBERS

BLASTMASTER® 123E REMOTE CONTROL SYSTEM – 12-VOLT DC

Part Number	Power Source	Battery Clamp Kit	190 Electric Control Assembly	Electric Control Lines	Blowdown Hose Assembly	Exhaust Muffler	Tandem Remote Control Valve	Remote Control Switch	Watts Strainer
1012352	12-Volt DC	1015544	12-Volt DC	25 & 50 Feet	1012350	1011100	1012300	1015100	10WS



PART NUMBERS

BLASTMASTER® 123E REMOTE CONTROL SYSTEM – 120-VOLT AC

Part Number	Power Source	120-Volt AC to 12-Volt AC Power Converter	190 Electric Control Assembly	Electric Control Line	Blowdown Hose Assembly	Exhaust Muffler	Tandem Remote Control Valve	Remote Control Switch	Watts Strainer
1012353	120-Volt AC	1030020	12-Volt AC	50 Feet	1012350	1011100	1012300	1015100	10WS



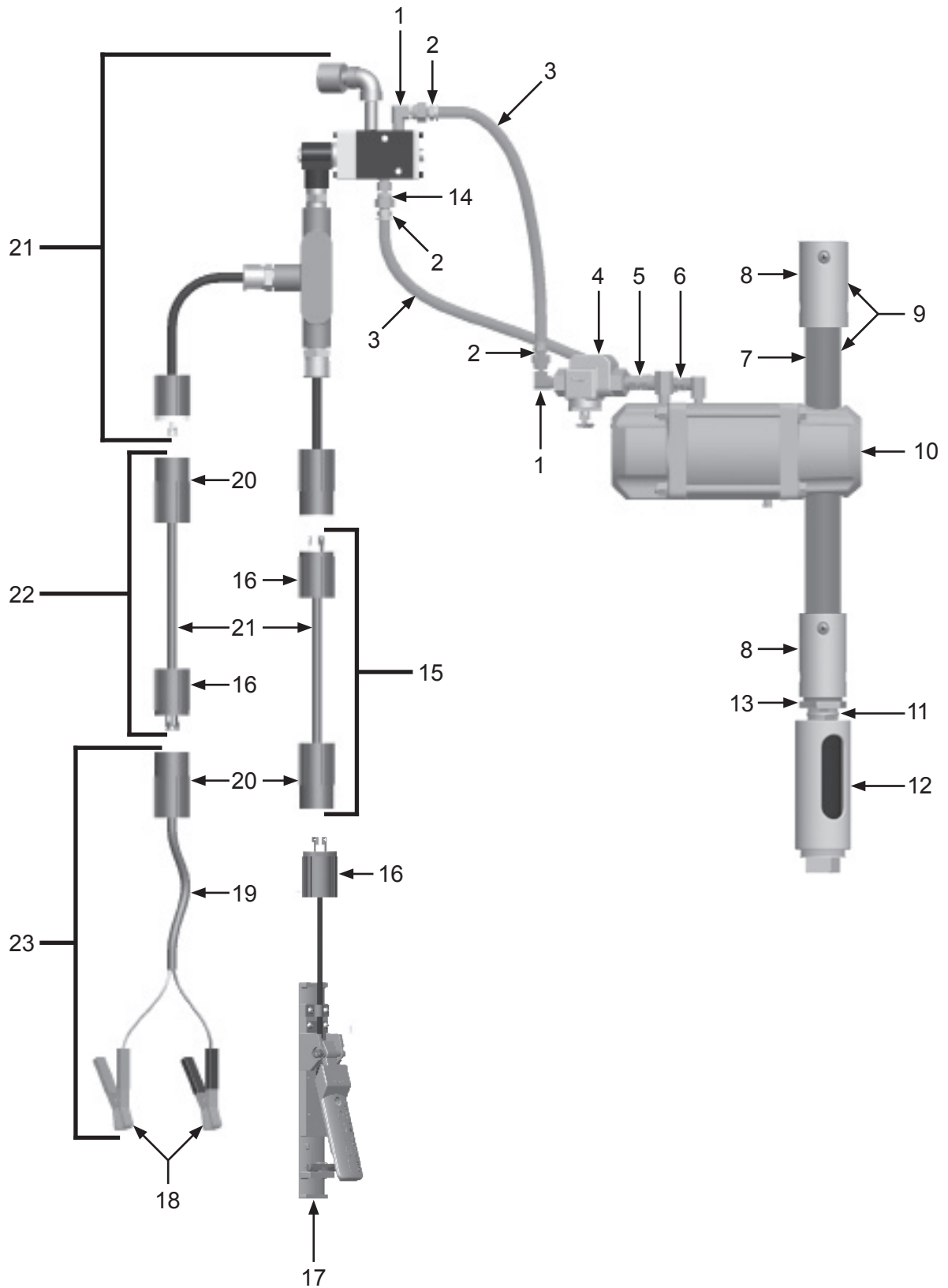
PART NUMBERS & SCHEMATICS

12-Volt DC Blastmaster® 123E Remote Control System

Item #	Part #	Description
Fig. 1		
—	1012352	12-Volt DC Blastmaster® 123E Remote Control System – Complete
1	1012326	1/4" 90° Swivel Fitting <i>(Two Required)</i>
2	10PAF025	1/4" NPT x 1/4" Barb Push-on Air Hose Fitting <i>(Three Required)</i>
3	10AH025	1/4" I.D. Push-on Air Hose <i>(Six Feet Required)</i>
4	10WS	Watts Strainer
5	1017019	1/4" Hex Nipple
6	10PAF0125	1/8" NPT x 1/4" Barb Push-on Air Hose Fitting
7	10BH0342BR	3/4" I.D. Abrasive Blasting Hose <i>(Per Foot)</i>
8	10NHA1	1-1/4" Aluminum Nozzle Holder <i>(Two Required)</i>
9	1012350	Blowdown Hose Assembly <i>(Includes Item #'s: 7 (Quantity of Two Feet) and 8)</i>
10	1012300	Tandem Remote Control Valve – Complete <i>(See Figure 7)</i>
11	1012151	1" Close Nipple
12	1011100	Blastmaster® Exhaust Muffler <i>(See Figure 10)</i>
13	1012157	1-1/4" x 1" Bushing
14	10SME025	1/4" Straight Swivel Fitting
15	1015545	50 Feet of Control Line with Male and Female 3-prong Twist-Lock Plugs <i>(Includes Item #'s: 16, 20 (Quantity of 50 Feet), and 21)</i>
16	1015555	3-prong Twist-Lock Plug – Male
17	1015100	Blastmaster® 151E Remote Control Switch - Complete
18	1030718	Battery Clamp (Pair)
19	1015540	16/2 SJ Power Cord <i>(Per Foot)</i>
20	1015556	3-prong Twist Lock Plug – Female
21	1019051	12-Volt DC 190 Electric Control System <i>(See Figure 2)</i>
22	1015546	25 Feet of Power Cord with Male and Female 3-prong Twist-Lock Plugs <i>(Includes Item #'s: 16, 20 (Quantity of 25 Feet), and 21)</i>
23	1015544	Battery Clamp Kit <i>(Includes Item #'s: 18, 19 (Quantity of Two Feet), and 20)</i>
—	105M089	Features and Specifications Guide – Blastmaster® 123E Remote Control System
—	105M063	Features and Specifications Guide – Blastmaster® 151E Remote Control Switch
—	106M063	Part Numbers & Schematics Guide – Blastmaster® 151E Remote Control Switch
—	106M089	Part Numbers & Schematics Guide – Blastmaster® 123E Remote Control System
—	1090063	Operator's Manual – Blastmaster® 151E Remote Control Switch
—	1090089	Operator's Manual – Blastmaster® 123E Remote Control System

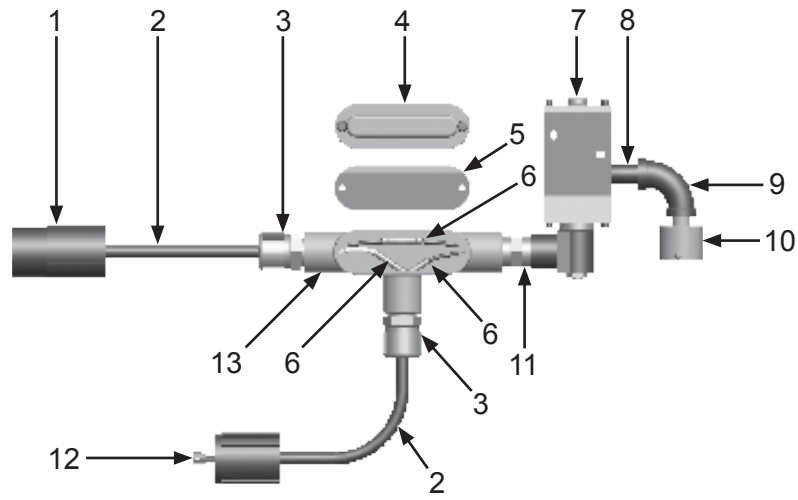
PART NUMBERS & SCHEMATICS

Figure 1: 12-Volt DC Blastmaster® 123E Remote Control System



PART NUMBERS & SCHEMATICS

Figure 2: 12-Volt DC 190 Electric Control Assembly



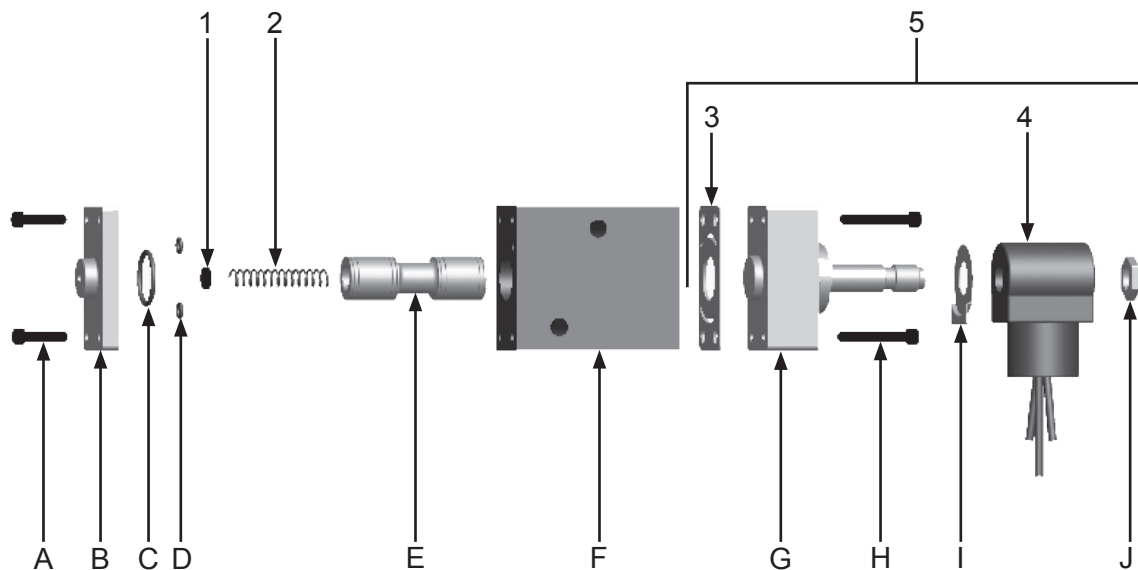
Item #	Part #	Description
--------	--------	-------------

Fig. 2

—	1019051	12-Volt DC 190 Electric Control Assembly – Complete
1	1015556	3-Prong Twist-Lock Plug – Female
2	1015540	16/2 SJ Power Cord – Per Foot
3	1019021	Cord Grip (<i>Two Required</i>)
4	1019022	Conduit Box Cover
5	1019023	Conduit Box Cover Gasket
6	1030028	Butt Splicer (<i>Four Required</i>)
7	1019010	12-Volt DC 190 Electric Solenoid – Complete (<i>See Figure 3</i>)
8	1011217	1/4" x 2" Pipe Nipple
9	1011832	1/4" NPT 90° Pipe Nipple
10	10DE025	Dust Eliminator
11	20100677	1/2" x 1/2" NPT Hex Nipple
12	1015555	3-Prong Twist-Lock Plug – Male
13	1019020	1/2" Tee Conduit Box

PART NUMBERS & SCHEMATICS

Figure 3: 12-Volt DC 190 Electric Solenoid



Item #	Part #	Description
--------	--------	-------------

Fig. 3

—	1019010	12-Volt DC 190 Electric Solenoid – Complete
---	----------------	--

1	1019029	Felt Filter
---	---------	-------------

2	1019032	Spring
---	---------	--------

3	1019033	Gasket
---	---------	--------

4	1019039	12-Volt DC Coil
---	---------	-----------------

5	1019034	12-Volt DC Operator Assembly (Includes Items: #3, #4, G, H, I, and J)
---	---------	--

—	1019030	Electric Solenoid Repair Kit (Includes Items: #1, #2, #3, C, D, and E)
---	---------	---

* Items A–J are not available individually

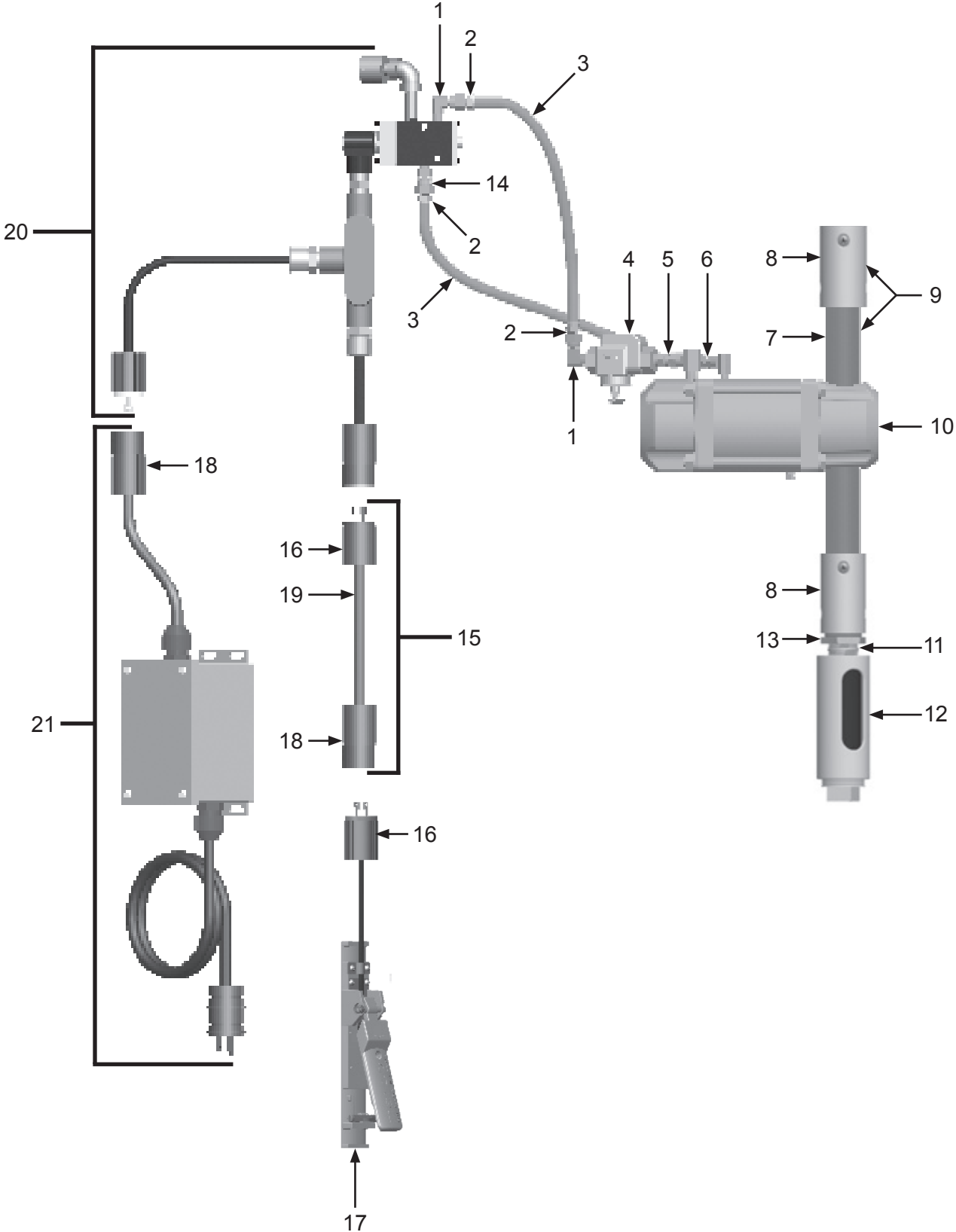
PART NUMBERS & SCHEMATICS

120-Volt AC Blastmaster® 123E Remote Control System

Item #	Part #	Description
Fig. 4		
—	1012353	120-Volt AC Blastmaster® 123E Remote Control System – Complete
1	1012326	1/4" 90° Swivel Fitting (<i>Two Required</i>)
2	10PAF025	1/4" NPT x 1/4" Barb Push-on Air Hose Fitting (<i>Three Required</i>)
3	10AH025	1/4" I.D. Push-on Air Hose (<i>Six Feet Required</i>)
4	10WS	Watts Strainer
5	1017019	1/4" Hex Nipple
6	10PAF0125	1/8" NPT x 1/4" Barb Push-on Air Hose Fitting
7	10BH0342BR	3/4" I.D. Abrasive Blasting Hose (<i>Per Foot</i>)
8	10NHA1	1-1/4" Aluminum Nozzle Holder (<i>Two Required</i>)
9	1012350	Blowdown Hose Assembly (<i>Includes Item #'s: 7 (Quantity of Two Feet) and 8</i>)
10	1012300	Tandem Remote Control Valve – Complete (<i>See Figure 7</i>)
11	1012151	1" Close Nipple
12	1011100	Blastmaster® Exhaust Muffler (<i>See Figure 10</i>)
13	1012157	1-1/4" x 1" Bushing
14	10SME025	1/4" Straight Swivel Fitting
15	1015545	50 Feet of Control Line with Male and Female Twist-Lock Plugs (<i>ncludes Item #'s: 16 ,18, and 19 (Quantity of 50 Feet)</i>)
16	1015555	3-prong Twist-Lock Plug – Male
17	1015100	Blastmaster® 151E Remote Control Switch – Complete
18	1015556	3-prong Twist Lock Plug – Female
19	1015540	16/2 SJ Power Cord (<i>Per Foot</i>)
20	1019052	12-Volt AC 190 Electric Control System (<i>See Figure 5</i>)
21	1030020	Marco 120-Volt AC to 12-Volt AC Power Converter (<i>See Figure 8</i>)
—	105M089	Features and Specifications Guide – Blastmaster® 123E Remote Control System
—	105M063	Features and Specifications Guide – Blastmaster® 151E Remote Control Switch
—	106M063	Part Numbers & Schematics Guide – Blastmaster® 151E Remote Control Switch
—	106M089	Part Numbers & Schematics Guide – Blastmaster® 123E Remote Control System
—	1090063	Operator's Manual – Blastmaster® 151E Remote Control Switch
—	1090089	Operator's Manual – Blastmaster® 123E Remote Control System

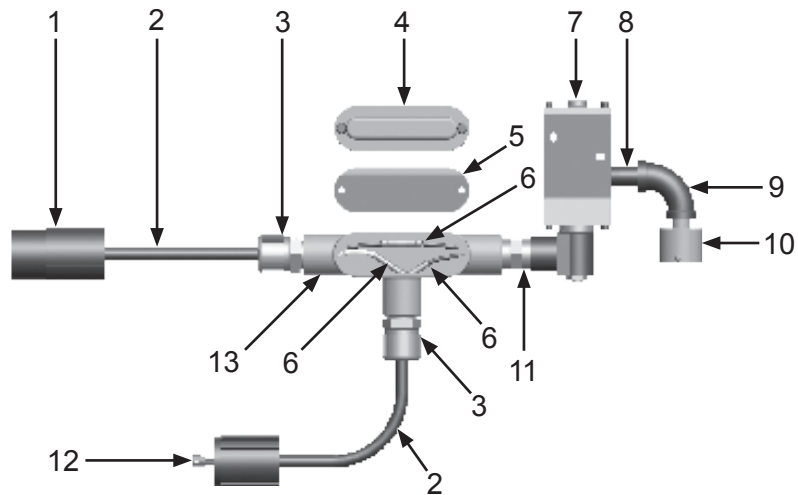
PART NUMBERS & SCHEMATICS

Figure 4: 120-Volt AC Blastmaster® 123E Remote Control System



PART NUMBERS & SCHEMATICS

Figure 5: 12-Volt AC 190 Electric Control Assembly



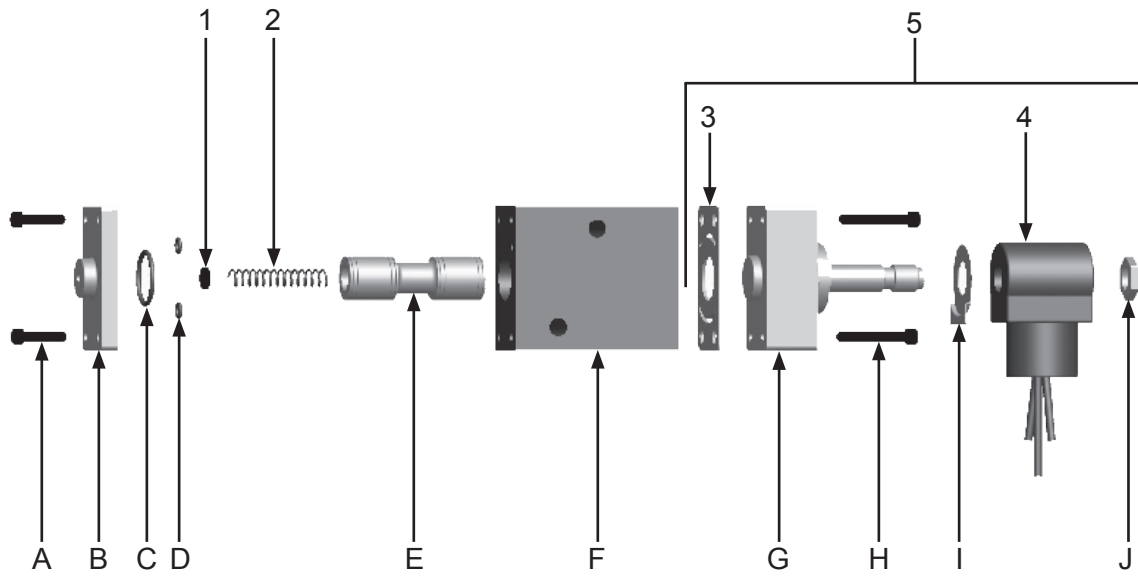
Item #	Part #	Description
--------	--------	-------------

Fig. 5

—	1019052	12-Volt AC 190 Electric Control Assembly – Complete
1	1015556	3-Prong Twist-Lock Plug – Female
2	1015540	16/2 SJ Power Cord – Per Foot
3	1019021	Cord Grip (<i>Two Required</i>)
4	1019022	Conduit Box Cover
5	1019023	Conduit Box Cover Gasket
6	1030028	Butt Splicer (<i>Four Required</i>)
7	1019011	12-Volt AC 190 Electric Solenoid – Complete (<i>See Figure 6</i>)
8	1011217	1/4" x 2" Pipe Nipple
9	1011832	1/4" NPT 90° Pipe Nipple
10	10DE025	Dust Eliminator
11	20100677	1/2" x 1/2" NPT Hex Nipple
12	1015555	3-Prong Twist-Lock Plug – Male
13	1019020	190 1/2" Tee Conduit Box

PART NUMBERS & SCHEMATICS

Figure 6: 12-Volt AC 190 Electric Solenoid

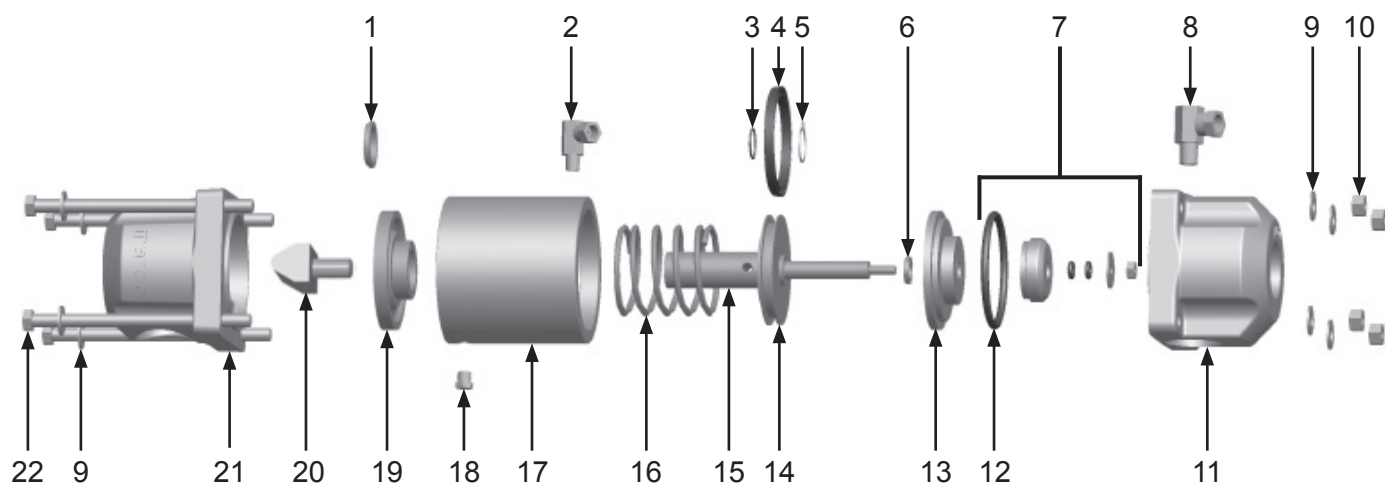


Item #	Part #	Description
Fig. 6		
—	1019011	12-Volt AC 190 Electric Solenoid – Complete
1	1019029	Felt Filter
2	1019032	Spring
3	1019033	Gasket
4	1019040	12-Volt AC Coil
5	1019035	12-Volt AC Electric Operator Assembly <i>(Includes Items: #3, #4, G, H, I, and J)</i>
—	1019030	12-Volt AC Electric Solenoid Repair Kit <i>(Includes Items: #1, #2, #3, C, D, and E)</i>

* Items A–J are not available individually

PART NUMBERS & SCHEMATICS

Figure 7: Tandem Remote Control Valve



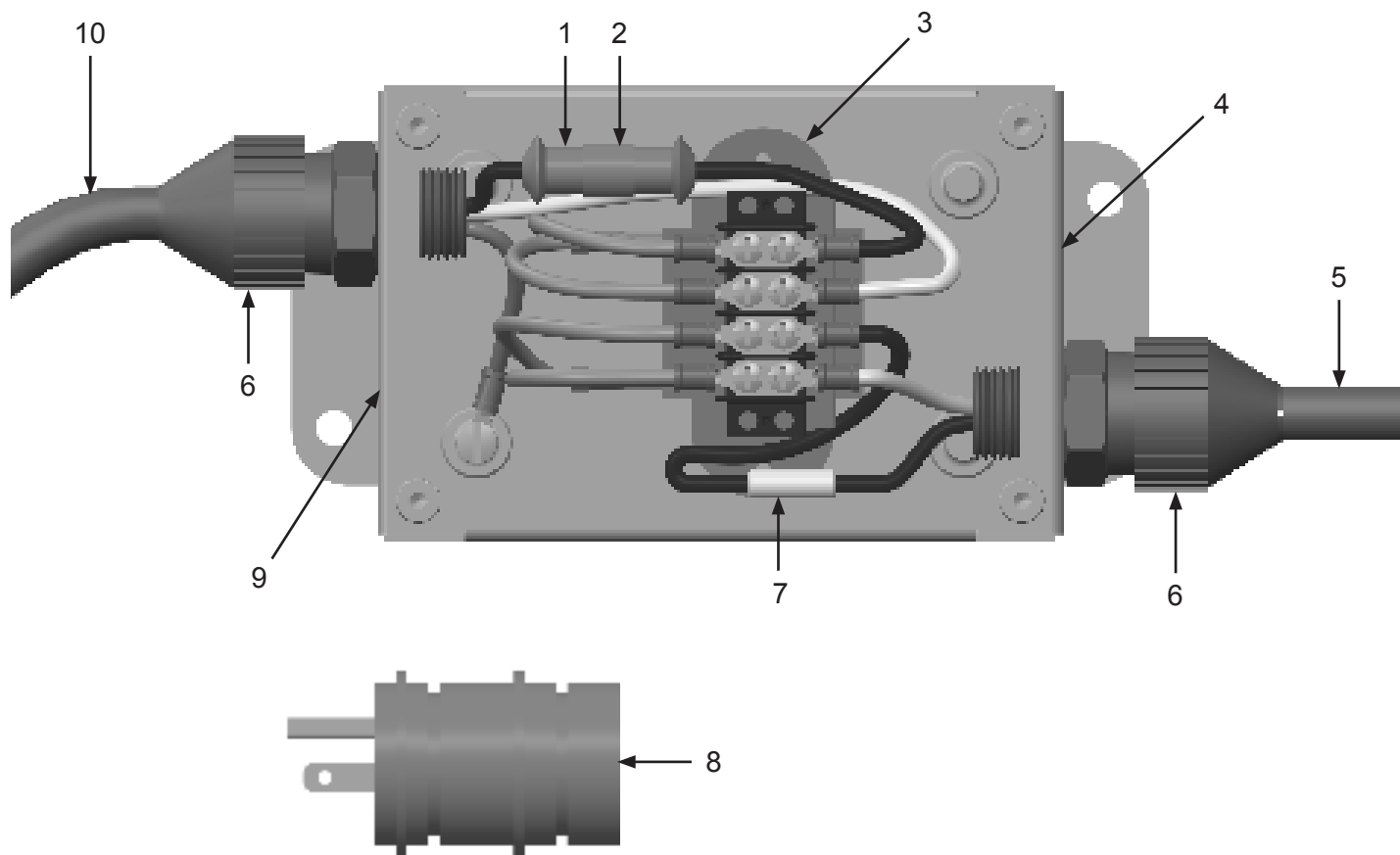
Item #	Part #	Description
--------	--------	-------------

Fig. 7

—	1012300	Tandem Remote Control Valve – Complete
1	1012308	Seal – Upper Rod Guide
2	1014239	1/8" 90° Swivel Fitting
3	1012312	O-ring – Shaft
4	1012317	Seal – Piston
5	1012313	13/16" External Snap Ring
6	1012314	Seal – Lower Rod Guide
7	1012322	Valve Plug Assembly <i>(Includes Item #12)</i>
8	1012326	1/4" 90° Swivel Fitting
9	1014241	3/8" Washer <i>(Eight Required)</i>
10	1012318	3/8-16 Nut <i>(Four Required)</i>
11	1012321	Base
12	1012320	O-ring – Lower Rod Guide
13	1012319	Lower Rod Guide
14	1012315	Piston
15	1012316	Shaft
16	1012309	Spring
17	1012311	Cylinder
18	1012905	1/8" Breather Muffler
19	1012307	Upper Rod Guide
20	1012306	Pinch Ram
21	1012305	Cap
22	1012310	3/8-16 x 6" Bolt <i>(Four Required)</i>
—	1012301	Tandem Remote Control Valve Repair Kit <i>(Includes Item #'s: 1, 3–7, and 12)</i>
—	105M089	Features and Specifications Guide – Blastmaster® 123E Remote Control System
—	106M089	Part Numbers and Schematics Guide – Blastmaster® 123E Remote Control System
—	1090007	Operator's Manual – Blastmaster® 123E Remote Control System
—	1091045	Hazard Identification Tag

PART NUMBERS & SCHEMATICS

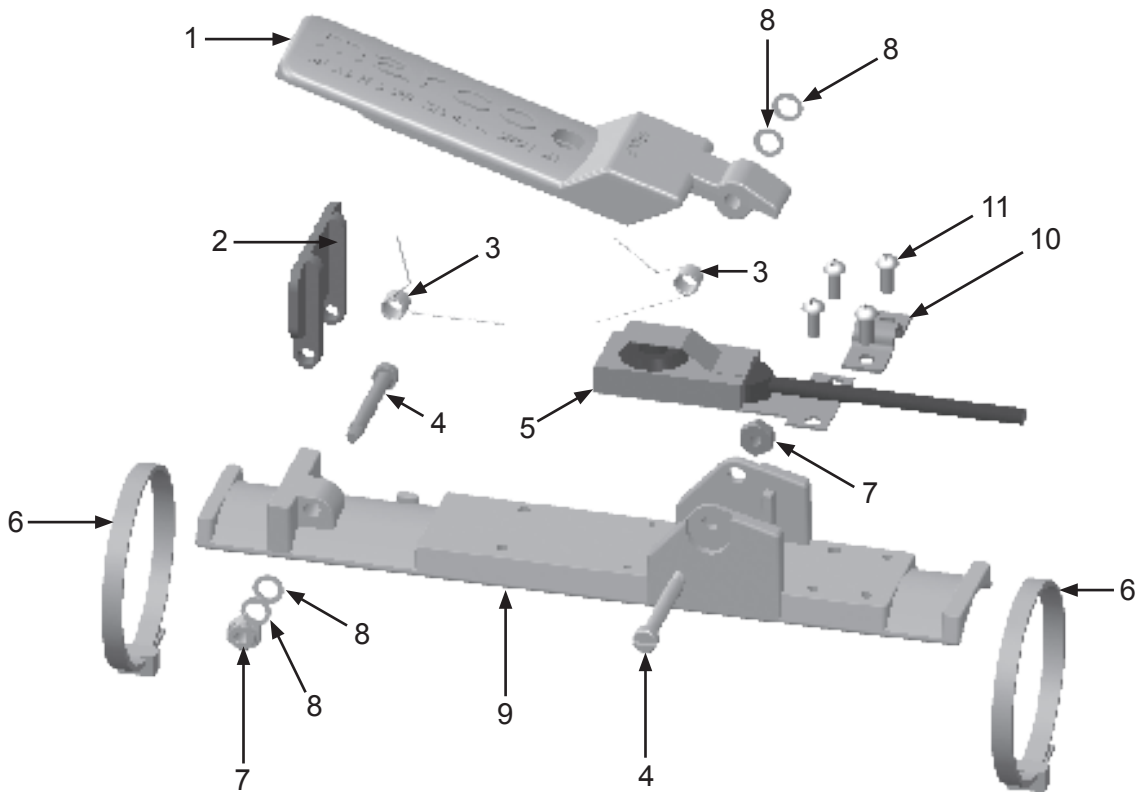
Figure 8: 120-Volt AC to 12-Volt AC Power Converter



Item #	Part #	Description
Fig. 8		
—	1030020	Blastmaster® 120-Volt AC to 12-Volt AC Power Converter with 3 feet of 14/2 Electric Cord and Plug – Complete
1	1030123	3 Amp Fuse
2	1030023	In-Line Fuse Holder
3	1030022	Transformer – Blastmaster 120-Volt AC to 12-Volt AC Power Converter
4	1091067	Power-Out Decal (<i>Not Shown</i>)
5	1030013	14/2 SEOW Electric Cord (<i>Per Foot</i>)
6	1030025	Strain Relief (<i>Two Required</i>)
7	1030021	Resistor
8	1030026	3-prong, 120-Volt AC Plug – Male
9	1092014	Power-In Decal (<i>Not Shown</i>)
10	1015550	14/3 SEOW Electric Cord (<i>Per Foot</i>)
—	1091063	Hazard Identification Decal

PART NUMBERS & SCHEMATICS

Figure 9: Blastmaster® 151E Remote Control Switch



Item #	Part #	Description
--------	--------	-------------

Fig. 9

—	1015100	Blastmaster® 151E Remote Control Switch – Complete
---	----------------	---

1	1015001	Handle
---	---------	--------

2	1015003	Safety Tab
---	---------	------------

3	1015005	Spring (<i>Two Required</i>)
---	---------	--------------------------------

4	1015008	Shoulder Screw (<i>Two Required</i>)
---	---------	--

5	10104268	Switch with Cord
---	----------	------------------

6	1015015	Nylon Zip Tie - White (<i>Two Required</i>)
---	---------	---

7	1015006	8-32 UNC-2B Nylon Insert Lock Nut (<i>Two Required</i>)
---	---------	---

8	1015007	3/8" O.D. x 7/16" I.D. Washer (<i>Four Required</i>)
---	---------	--

9	1015002	Body
---	---------	------

10	1015101	Electric Cord Clamp
----	---------	---------------------

11	1015014	8-32 x 3/8" Phillips Head Screw (<i>Four Required</i>)
----	---------	--

—	105M063	Features and Specifications Guide – Blastmaster® 151E Remote Control Switch
---	---------	---

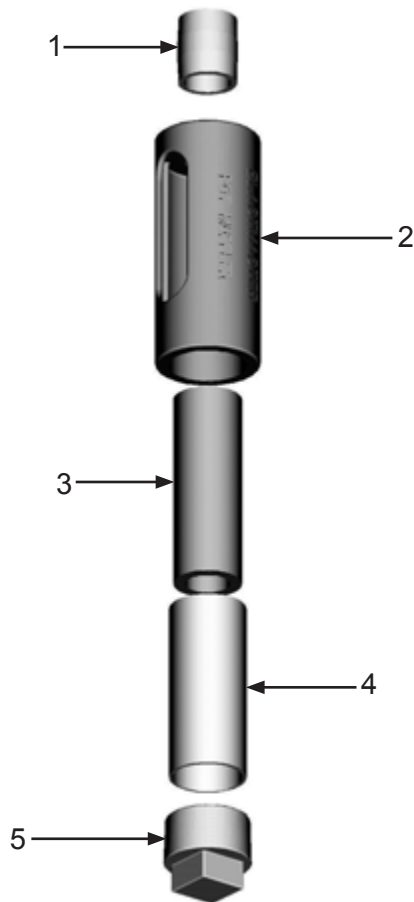
—	106M063	Part Numbers and Schematics Guide – Blastmaster® 151E Remote Control Switch
---	---------	---

—	1090063	Operator's Manual — Blastmaster® 151E Remote Control Switch
---	---------	---

—	1091045	Hazard Identification Tag
---	---------	---------------------------

PART NUMBERS & SCHEMATICS

Figure 10: Blastmaster® Exhaust Muffler



Item #	Part #	Description
Fig. 10		
—	1011100	Blastmaster® Exhaust Muffler – Complete
1	1012151	1" Close Nipple
2	1011102	Body
3	1011103	Filter Element
4	1011104	Screen
5	1011101	1-1/2" Pipe Plug
—	1011105	Blastmaster® Exhaust Muffler Repair Kit <i>(Includes Item #'s: 3 (Quantity of Three), 4, and 5)</i>
—	105M347	Features and Specifications Guide – Blastmaster® Exhaust Muffler
—	106M347	Part Numbers and Schematics Guide – Blastmaster® Exhaust Muffler
—	1090016	Operator's Manual – Blastmaster® Exhaust Muffler


OPTIONAL ACCESSORIES








ELECTRIC CONTROL LINE

Part Numbers	Gauge	# of Wires	Type	Length
1015540	16	2	SJ	Per Foot
1015701	16	3	SJ	Per Foot
1030013	14	2	SEOW	Per Foot
1015550	14	3	SO	Per Foot
1015554	14	4	SO	Per Foot
1015570	12	2	SO	Per Foot
1015571	12	3	SO	Per Foot
1015581	10	3	SO	Per Foot
1015580	10	4	SO	Per Foot
1015591	8	3	SO	Per Foot
1015590	8	4	SO	Per Foot
1015595	6	3	SO	Per Foot

OPTIONAL ACCESSORIES

		ELECTRIC CONTROL LINE WITH PLUGS						
		Gauge	# of Wires	2-Prong Male Twist-Lock Plug	2-Prong Female Twist-Lock Plug	3-Prong Male Twist-Lock Plug	3-Prong Female Twist-Lock Plug	Length
	Part Numbers							
	1015543	16	2	1015551	1015552	—	—	25 Feet
	1015542	16	2	1015551	1015552	—	—	50 Feet
	1015546	16	2	—	—	1015555	1015556	25 Feet
	1015545	16	2	—	—	1015555	1015556	50 Feet
	1015547	16	2	—	—	1015555	1015556	100 Feet
	1015748	16	3	—	—	1015555	1015556	13 Feet
	1015745	16	3	—	—	1015555	1015556	50 Feet
	1015747	16	3	—	—	1015555	1015556	110 Feet

OPTIONAL ACCESSORIES

ELECTRIC CONTROL LINE PLUGS			
	Part Numbers	Prong Style	Plug Style
	1015551	2-Prong Male	Twist-Lock
	1015552	2-Prong Female	Twist-Lock
	1015555	3-Prong Male	Twist-Lock
	1015556	3-Prong Female	Twist-Lock
	1030026	3-Prong Male	Standard

