



BLASTMASTER® 121P REMOTE CONTROL SYSTEM CONVERSION KITS



BUILT MARCO TOUGH
MARCO MANUFACTURED

PART NUMBERS AND SCHEMATICS GUIDE

Company Profile

Since 1944, Marco has developed a strong tradition of providing innovative and reliable products and services to the surface preparation and protective coatings industries. We are the world's premier provider of Abrasives, Blasting, Coating, Dust Collectors, Engineered Systems, Rental, Safety, Service, Repair, & Modernization, and Vacuums.

Through innovative designs and a total commitment to quality, Marco manufactures products that increase production rates, create a safer workplace, and reduce maintenance costs. Marco's industry experience, manufacturing capabilities, legendary customer service, product availability, logistics services, and technology leadership is your assurance that we deliver high quality products and services, providing the best value to you, our customer.

The Marco Difference

- **Industry Experience** – With Marco on your team, you have access to expertise which can only come from decades of industry leadership. We have organized our engineering department, production specialists, customer operations, and safety support into a “Center of Competence.” As a Marco customer, you have access to hundreds of years of cumulative experience related to your operations.
- **Manufacturing Excellence** – Marco is a U.S. based, ISO 9001:2008 certified manufacturer of equipment for the Surface Preparation and Protective Coatings industries. Marco's engineers benchmark the industry to ensure that we design and manufacture superior products that set the “Gold Standard” for performance, safety, and quality.
- **Legendary Customer Service** – Marco's legendary customer service team is staffed by friendly, highly-trained individuals who are focused on providing the highest level of product support, order accuracy, and customer satisfaction.
- **Product Availability** – We stock over 10,000 SKU's and have more than 45 shipping locations to serve North American and International markets for all major brands of blasting and coating equipment. As the largest provider of surface preparation and protective coatings equipment in the world, our inventory levels and product availability are unmatched.
- **Logistics Services** – Marco's in-house logistics team is dedicated to moving your shipment anywhere in the world. We move more than 14,000 truckloads every year, allowing you to save on freight costs by leveraging our buying power. Lower your process costs with a single invoice, which includes product and freight.
- **Technology Leadership** – Our website provides: Operator's Manuals, Part Numbers and Schematics Guides, SDS information, and Features & Specifications Guides, providing access to information 24/7. Our Extranet application allows you to receive quotes and place orders online. Our Intranet maintains a complete record of your purchase history to assist with ongoing support of your existing equipment and future purchasing decisions.

Vision Statement

Marco is the world's premier provider of Abrasives, Blasting, Coating, Dust Collectors, Engineered Systems, Rental, Safety, Service, Repair, & Modernization, and Vacuums.

Mission Statement

Marco provides strong leadership and innovation to the surface preparation and protective coatings industries. We dedicate our efforts to the continuous improvement of our products, services, processes, people, and most importantly, the quality of our customer's experience.

Quality Statement

Marco is committed to providing superior quality in the design, manufacturing, distribution, rental, service, and repair of our products. Our ISO 9001:2008 certification extends throughout all operations in all locations. Continuous improvement of our processes and supply chain Integration comprise the core of our business strategy for delivering exceptional quality and value in all Marco products and services.

Management Philosophy

We are a company dedicated to the success of every customer and associate. We discuss, debate, challenge, measure, and test our ideas. We will be boundless and limitless in our passion to improve. Through sound leadership and dedicated associates, we will ensure a long term, profitable future for Marco, our associates, customers, and suppliers.

TABLE OF CONTENTS

Company Profile	2
Table of Contents	3
121P Pneumatic Conversion Kits	4-11
3.5 Cu. Ft. Abrasive Blasting Pot.	4-5
Part Numbers and Schematics.	6-7
6.5 Cu. Ft. Abrasive Blasting Pot.	8-9
Part Numbers and Schematics.	10-11
Optional Accessories	12-13
Literature References	14
Maintenance Notes	15

PART NUMBERS AND SCHEMATICS GUIDE

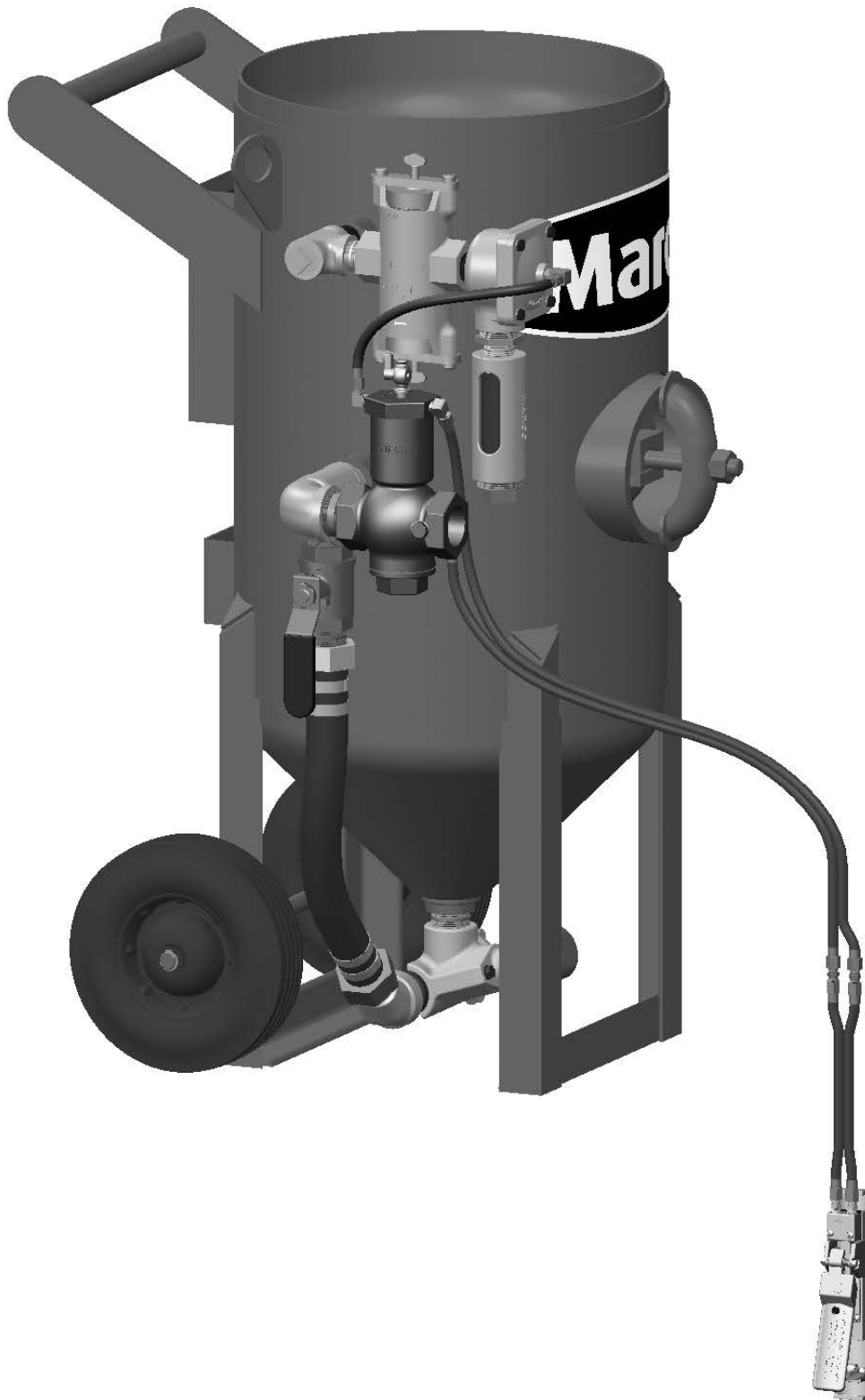
PNEUMATIC REMOTE CONTROL SYSTEM KITS – 3.5 CU. FT. M-SERIES ABRASIVE BLASTING POT

Part Numbers	Blastmaster® 1-1/4" Bantam Abrasive Metering Valve	Blastmaster® 1-1/2" Bantam Abrasive Metering Valve	Blastmaster® 150P Remote Control Switch	1" Diaphragm Outlet Valve	1/2" Inlet Valve	Twinline	Pusher Line Assembly	Abrasive Blasting Pot Muffler
10107257	X		X	X	X	50 Ft.	X	X
10107258		X	X	X	X	50 Ft.	X	X

For converting a bare pot to pneumatic remote control system.

Includes: Blastmaster® Bantam Abrasive Metering Valve, Blastmaster® 150P Remote Control Switch, Twinline, Air Hose Pusher Line, Inlet Valve, Diaphragm Outlet Valve, Abrasive Blasting Pot Muffler, and various pipe fittings

PART NUMBERS AND SCHEMATICS GUIDE



PART NUMBERS AND SCHEMATICS GUIDE

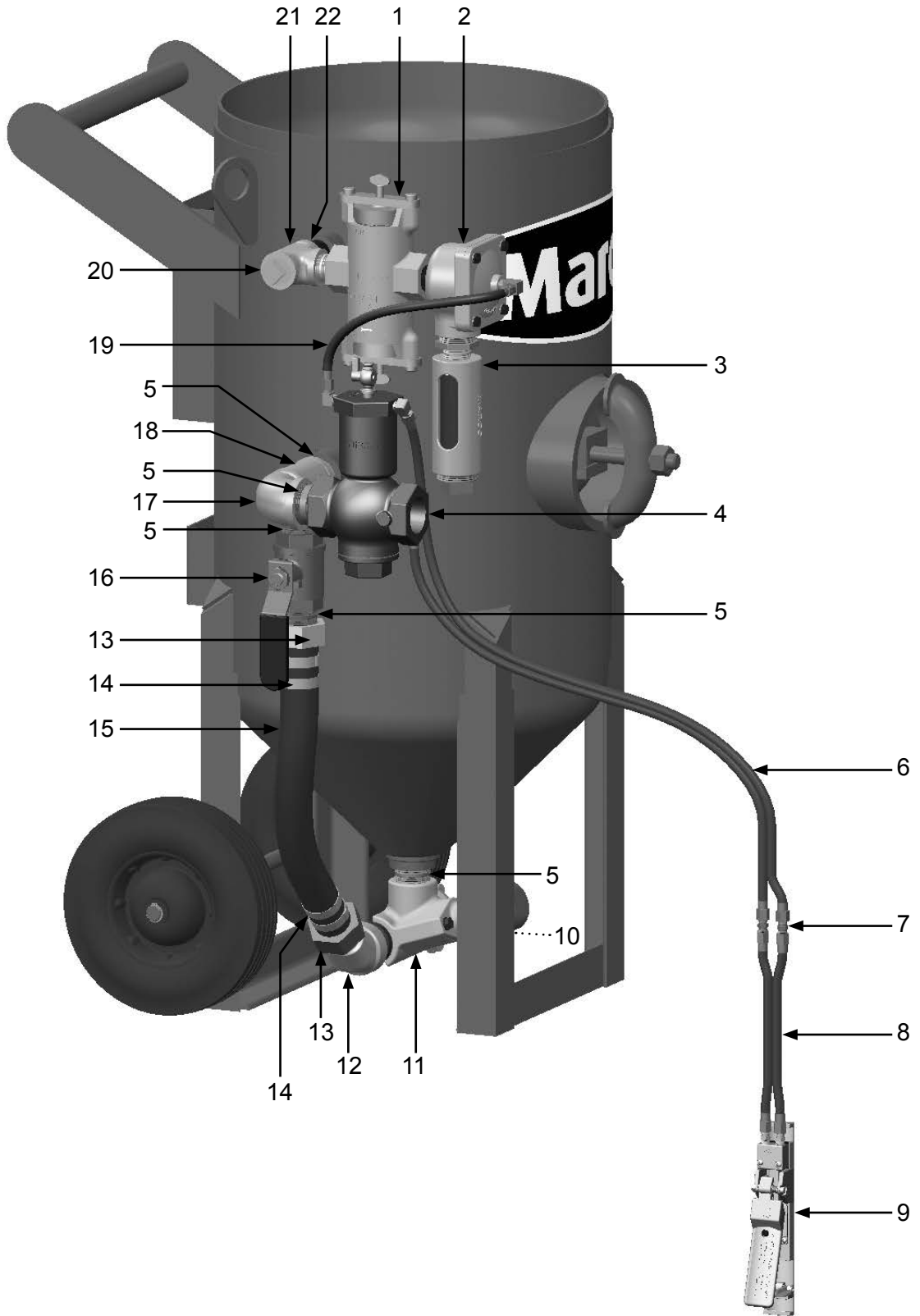
121P Pneumatic Conversion Kit – 3.5 Cu. Ft. M-Series Abrasive Blasting Pot

Item #	Part #	Description
Fig. 1		
—	10107257	121P Pneumatic Conversion Kit – 1-1/4" Bantam Abrasive Metering Valve – 3.5 Cu. Ft. Pot
—	10107258	121P Pneumatic Conversion Kit – 1-1/2" Bantam Abrasive Metering Valve – 3.5 Cu. Ft. Pot
1	1012000	Abrasive Trap
2	1012150	1" Diaphragm Outlet Valve
3	1011100	Abrasive Blasting Pot Muffler
4	1012200	1-1/2" Inlet Valve
5	1011201	1-1/4" Close Nipple (<i>Quantity of Four with 10107257, Quantity of Two with 10107258</i>)
	1014015	1-1/2" Close Nipple (<i>Quantity of One with 10107257, Quantity of Three with 10107258</i>)
6	10TL5	Coupled Pneumatic Control Line – 5 Feet
7	1017001	3/16" I.D. Hose Union (<i>Quantity of Two</i>)
8	10TL50	Coupled Pneumatic Control Line – 50 Feet
9	1015000	Blastmaster® 150P Remote Control Switch
10	10SB2S	1-1/2" Straight Thread Pot Coupling
11	1014101	1-1/4" Bantam Abrasive Metering Valve (<i>For use with 10107257</i>)
	1014102	1-1/2" Bantam Abrasive Metering Valve (<i>For use with 10107258</i>)
12	1011830	1-1/4" 45° Street Elbow (<i>For use with 10107257</i>)
	1011805	1-1/2" 45° Street Elbow (<i>For use with 10107258</i>)
13	10SFE3	1-1/4" Female Swivel Air Hose End (<i>Quantity of Two</i>) (<i>For use with 10107257</i>)
	10SFE4	1-1/2" Female Swivel Air Hose End (<i>Quantity of Two</i>) (<i>For use with 10107258</i>)
14	10103737	1-1/4" I.D. T-Bolt Hose Clamp (<i>Quantity of Two</i>) (<i>For use with 10107257</i>)
	10103738	1-1/2" I.D. T-Bolt Hose Clamp (<i>Quantity of Two</i>) (<i>For use with 10107258</i>)
15	10AH114B	1-1/4" I.D. Air Hose – Per Foot (<i>Three Feet Required</i>) (<i>For use with 10107257</i>)
	10AH112B	1-1/2" I.D. Air Hose – Per Foot (<i>Three Feet Required</i>) (<i>For use with 10107258</i>)
16	1011602	1-1/4" Full Port Ball Valve (<i>For use with 10107257</i>)
	1011603	1-1/2" Full Port Ball Valve (<i>For use with 10107258</i>)
17	1011839	1-1/2" 90° Street Elbow
18	1011834	1-1/2" x 1-1/4" x 1-1/4" Pipe Tee (<i>For use with 10107257</i>)
	1011833	1-1/4" x 1-1/2" x 1-1/2" Pipe Tee (<i>For use with 10107258</i>)
19	10CL18	Coupled Pneumatic Control Line – 18 Inches
20	1011901	1" Square Head Pipe Plug
21	1011816	1" Pipe Tee
22	1011843	1" x 2-1/2" Close Nipple
—	1091045	Hazard Identification Tag (<i>Quantity of Four</i>) (<i>Not Shown</i>)

See page 14 for product literature

PART NUMBERS AND SCHEMATICS GUIDE

Figure 1: 121P Pneumatic Conversion Kit – 3.5 Cu. Ft. M-Series Abrasive Blasting Pot



PART NUMBERS AND SCHEMATICS GUIDE

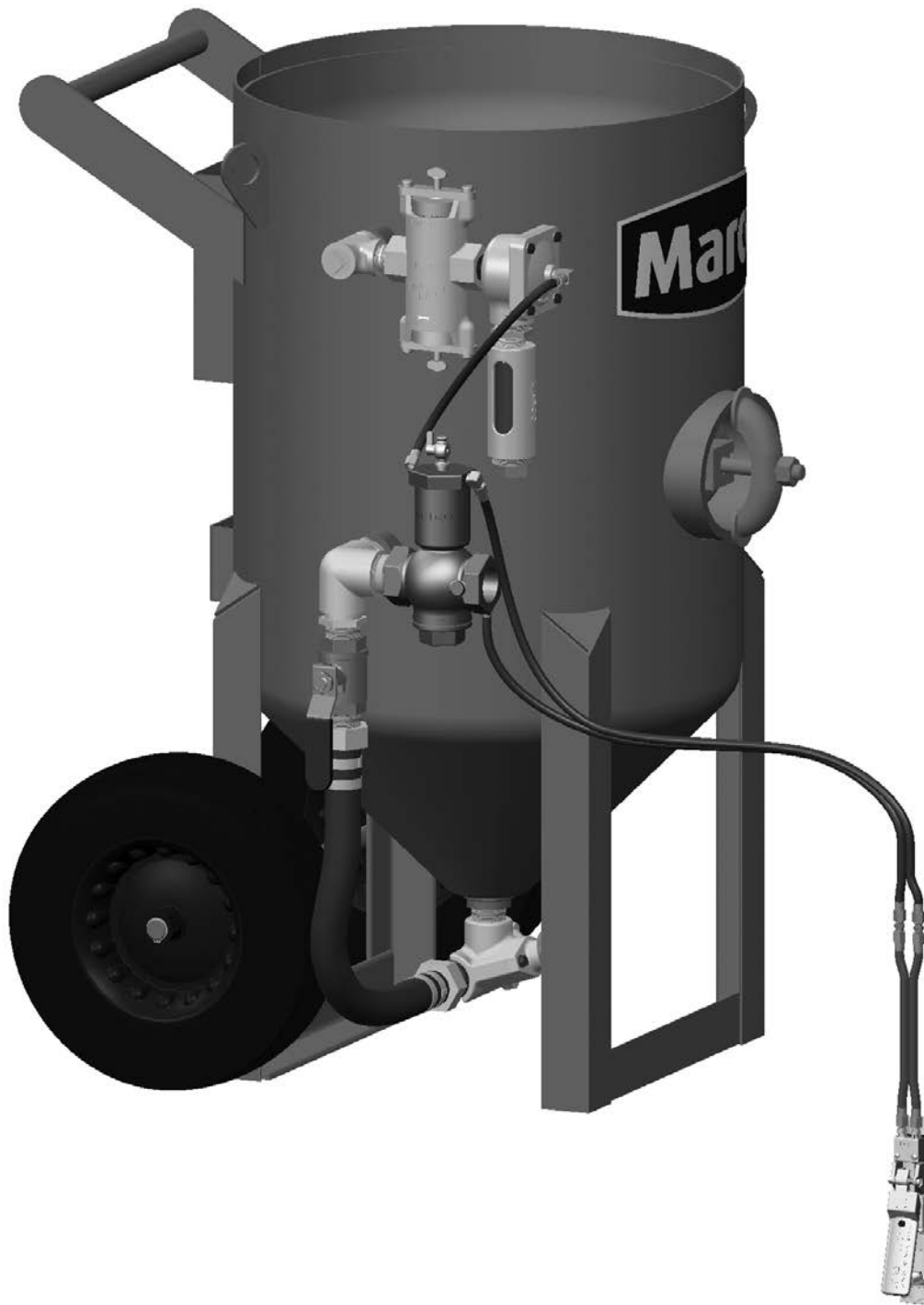
PNEUMATIC REMOTE CONTROL SYSTEM KITS – 6.5 CU. FT. M-SERIES ABRASIVE BLASTING POT

Part Numbers	Blastmaster® 1-1/4" Bantam Abrasive Metering Valve	Blastmaster® 1-1/2" Bantam Abrasive Metering Valve	Blastmaster® 150P Remote Control Switch	1" Diaphragm Outlet Valve	1/2" Inlet Valve	Twinline	Pusher Line Assembly	Abrasive Blasting Pot Muffler
10107255	X		X	X	X	50 Ft.	X	X
10107256		X	X	X	X	50 Ft.	X	X

For converting bare pot to pneumatic remote control system.

Includes: Blastmaster® Bantam Abrasive Metering Valve, Blastmaster® 150P Remote Control Switch, Twinline, Air Hose Pusher Line, Inlet Valve, Diaphragm Outlet Valve, Abrasive Blasting Pot Muffler, and various pipe fittings

PART NUMBERS AND SCHEMATICS GUIDE



PART NUMBERS AND SCHEMATICS GUIDE

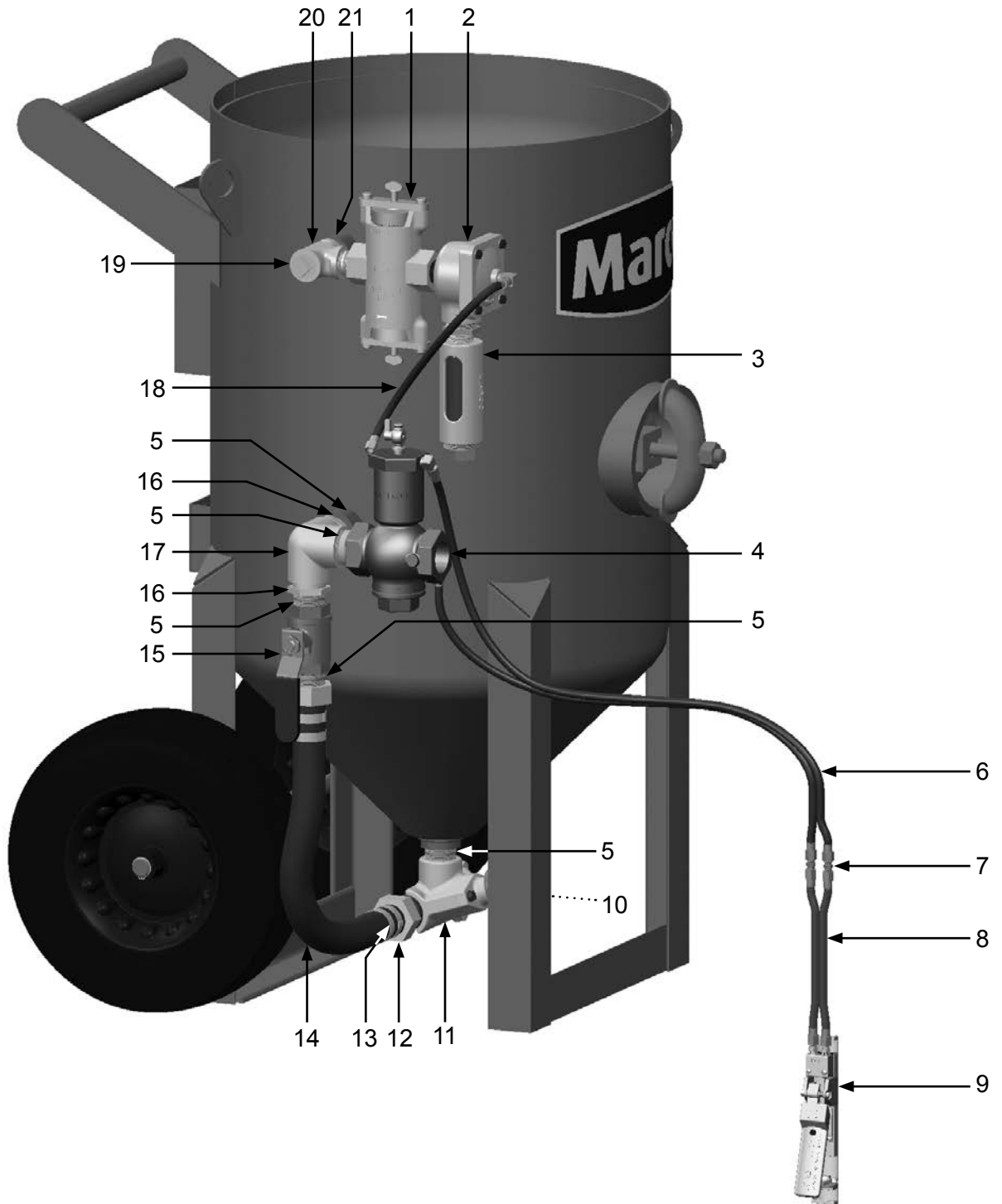
121P Pneumatic Conversion Kit – 6.5 Cu. Ft. M-Series Abrasive Blasting Pot

Item #	Part #	Description
Fig. 2		
—	10107255	121P Pneumatic Conversion Kit – 1-1/4" Bantam Abrasive Metering Valve – 6.5 Cu. Ft. Pot
—	10107256	121P Pneumatic Conversion Kit – 1-1/2" Bantam Abrasive Metering Valve – 6.5 Cu. Ft. Pot
1	1012000	Abrasive Trap
2	1012150	1" Diaphragm Outlet Valve
3	1011100	Abrasive Blasting Pot Muffler
4	1012200	1-1/2" Inlet Valve
5	1011201	1-1/4" Close Nipple (<i>Quantity of Four with 10107255, Quantity of Two with 10107256</i>)
	1014015	1-1/2" Close Nipple (<i>Quantity of One with 10107255, Quantity of Three with 10107256</i>)
6	10TL5	Coupled Pneumatic Control Line – 5 Feet
7	1017001	3/16" I.D. Hose Union (<i>Quantity of Two</i>)
8	10TL50	Coupled Pneumatic Control Line – 50 Feet
9	1015000	Blastmaster® 150P Remote Control Switch
10	10SB2S	1-1/2" Straight Thread Pot Coupling
11	1014101	1-1/4" Bantam Abrasive Metering Valve (<i>For use with 10107255</i>)
	1014102	1-1/2" Bantam Abrasive Metering Valve (<i>For use with 10107256</i>)
12	10SFE3	1-1/4" Female Swivel Air Hose End (<i>Quantity of Two</i>) (<i>For use with 10107255</i>)
	10SFE4	1-1/2" Female Swivel Air Hose End (<i>Quantity of Two</i>) (<i>For use with 10107256</i>)
13	10103737	1-1/4" I.D. T-Bolt Hose Clamp (<i>Quantity of Two</i>) (<i>For use with 10107255</i>)
	10103738	1-1/2" I.D. T-Bolt Hose Clamp (<i>Quantity of Two</i>) (<i>For use with 10107256</i>)
14	10AH114B	1-1/4" I.D. Air Hose – Per Foot (<i>Three Feet Required</i>) (<i>For use with 10107255</i>)
	10AH112B	1-1/2" I.D. Air Hose – Per Foot (<i>Three Feet Required</i>) (<i>For use with 10107256</i>)
15	1011602	1-1/4" Full Port Ball Valve (<i>For use with 10107255</i>)
	1011603	1-1/2" Full Port Ball Valve (<i>For use with 10107256</i>)
16	1011501	1-1/2" (M) x 1-1/4" (F) Bushing (<i>Quantity of Two with 10107255, Quantity of One with 10107256</i>)
17	1011804	1-1/2" 90° Elbow with Side-Out
18	10CL18	Coupled Pneumatic Control Line – 18 Inches
19	1011901	1" Square Head Pipe Plug
20	1011816	1" Pipe Tee
21	1012151	1" Close Nipple
—	1091045	Hazard Identification Tag (<i>Quantity of Four</i>) (<i>Not Shown</i>)

See page 14 for product literature

PART NUMBERS AND SCHEMATICS GUIDE

Figure 2: 121P Pneumatic Conversion Kit – 6.5 Cu. Ft. M-Series Abrasive Blasting Pot



OPTIONAL ACCESSORIES

PNEUMATIC CONTROL LINE		
Part Numbers	Length	Fittings
10TL3	3 Feet	1017016 <i>(Quantity of Four)</i>
10TL5	5 Feet	1017016 <i>(Quantity of Four)</i>
10TL25	25 Feet	1017016 <i>(Quantity of Four)</i>
10TL50	50 Feet	1017016 <i>(Quantity of Four)</i>
10TL100	100 Feet	1017016 <i>(Quantity of Four)</i>
10TLBK	Per Foot	None



10TL3
10TL5










10TL25
10TL50
10TL100



10TLBK

OPTIONAL ACCESSORIES

	Part Numbers	PNEUMATIC CONTROL LINE FITTINGS
	1017016	3/16" Female Nut & Barb
	1017000	3/16" Female Reusable Hose End
	1017017	Pneumatic Control Line Hose Ferrule
	1017011	Pneumatic Control Line Oetiker® Clamp
	1017001	3/16" Male x Male Hose Union

	Part Numbers	PNEUMATIC CONTROL LINE FITTINGS ACCESSORIES
	10DX855A	Ferrule Crimping Tool
	10DX1098	Oetiker® Clamp Tool

LITERATURE REFERENCES

Remote Control System

105M142	Features and Specifications Guide – Blastmaster® 121P Remote Control System
106M142	Part Numbers and Schematics Guide – Blastmaster® 121P Remote Control System
1090142	Operator's Manual – Blastmaster® 121P Remote Control System

Remote Control Switch

105M023	Features and Specifications Guide – Blastmaster® 150P Remote Control Switch
106M023	Part Numbers and Schematics Guide – Blastmaster® 150P Remote Control Switch
1090023	Operator's Manual – Blastmaster® 150P Remote Control Switch

Abrasive Metering Valve

105M022	Features and Specifications Guide – Blastmaster® Bantam Abrasive Metering Valve
106M022	Part Numbers and Schematics Guide – Blastmaster® Bantam Abrasive Metering Valve
1090022	Operator's Manual – Blastmaster® Bantam Abrasive Metering Valve

Abrasive Blasting Pot Muffler

105M347	Features and Specifications Guide – Abrasive Blasting Pot Muffler
106M347	Part Numbers and Schematics Guide – Abrasive Blasting Pot Muffler

40+ NATIONWIDE SHIPPING LOCATIONS

GLOBAL HEADQUARTERS

- 3425 East Locust Street
Davenport, IA 52803

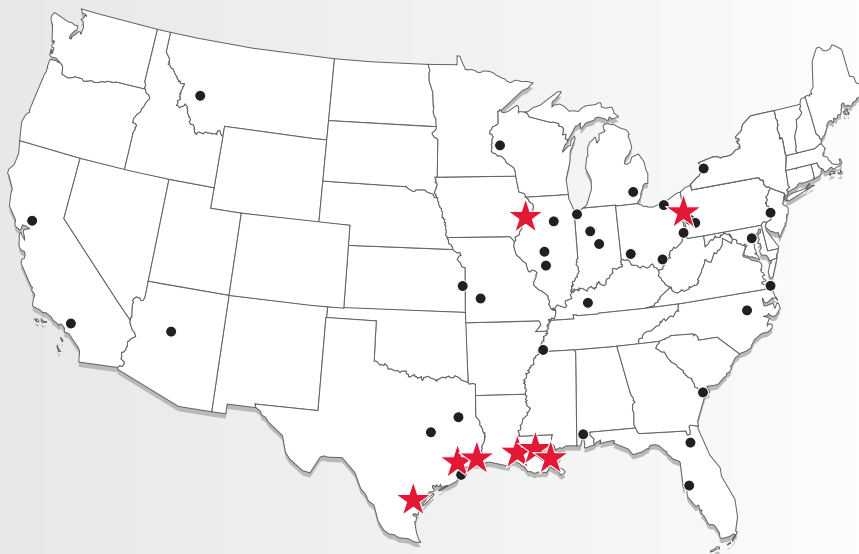
ph: 800.BLAST.IT (800.252.7848)

ph: 563.324.2519

fax: 563.324.6258

REGIONAL BRANCH OFFICES

- **Iowa**
Davenport
- **Louisiana**
Gonzales
Harvey
Lafayette
- **Ohio**
Youngstown
- **Texas**
Beaumont
Corpus Christi
Deer Park



★ Marco Regional Branch Offices
and Shipping Locations

● Direct Shipping Locations



ABRASIVES

BLASTING

COATING

DUST COLLECTORS

ENGINEERED SYSTEMS

RENTAL

SAFETY

SERVICE, REPAIR, & MODERNIZATION

VACUUMS

CONTACT MARCO

800.BLAST.IT

(800.252.7848)

563.324.2519

FAX: 563.324.6258

WWW.MARCO.US

SALES@MARCO.US