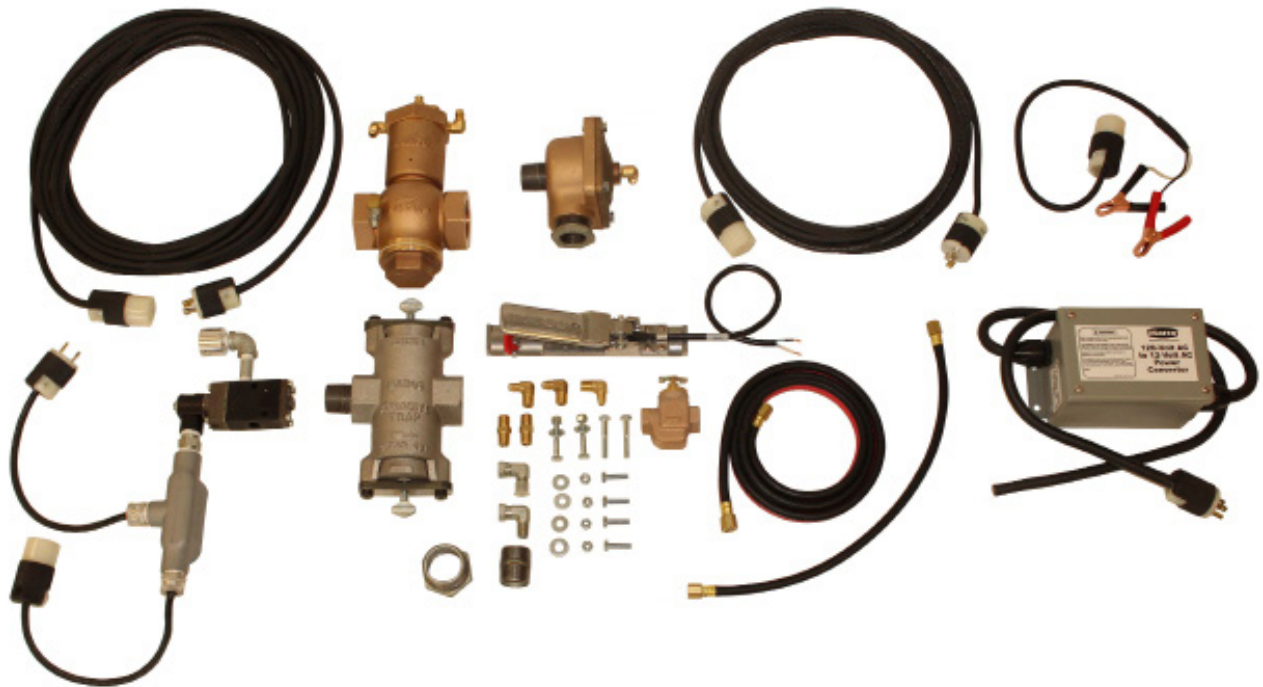




BLASTMASTER® 121E REMOTE CONTROL SYSTEM



PART NUMBERS AND SCHEMATIC GUIDE

Company Profile

Since 1944, Marco has developed a strong tradition of providing innovative and reliable products and services to the surface preparation and protective coatings industries. We are the world's premier provider of Abrasives, Blasting, Coating, Dust Collectors, Engineered Systems, Rental, Safety, Service, Repair, & Modernization, and Vacuums.

Through innovative designs and a total commitment to quality, Marco manufactures products that increase production rates, create a safer workplace, and reduce maintenance costs. Marco's industry experience, manufacturing capabilities, legendary customer service, product availability, logistics services, and technology leadership is your assurance that we deliver high quality products and services, providing the best value to you, our customer.

The Marco Difference

- **Industry Experience** – With Marco on your team, you have access to expertise which can only come from decades of industry leadership. We have organized our engineering department, production specialists, customer operations, and safety support into a “Center of Competence.” As a Marco customer, you have access to hundreds of years of cumulative experience related to your operations.
- **Manufacturing Excellence** – Marco is a U.S. based, ISO 9001:2008 certified manufacturer of equipment for the Surface Preparation and Protective Coatings industries. Marco's engineers benchmark the industry to ensure that we design and manufacture superior products that set the “Gold Standard” for performance, safety, and quality.
- **Legendary Customer Service** – Marco's legendary customer service team is staffed by friendly, highly-trained individuals who are focused on providing the highest level of product support, order accuracy, and customer satisfaction.
- **Product Availability** – We stock over 10,000 SKU's and have more than 45 shipping locations to serve North American and International markets for all major brands of blasting and coating equipment. As the largest provider of surface preparation and protective coatings equipment in the world, our inventory levels and product availability are unmatched.
- **Logistics Services** – Marco's in-house logistics team is dedicated to moving your shipment anywhere in the world. We move more than 14,000 truckloads every year, allowing you to save on freight costs by leveraging our buying power. Lower your process costs with a single invoice, which includes product and freight.
- **Technology Leadership** – Our website provides: Operator's Manuals, Part Numbers and Schematics Guides, SDS information, and Features & Specifications Guides, providing access to information 24/7. Our Extranet application allows you to receive quotes and place orders online. Our Intranet maintains a complete record of your purchase history to assist with ongoing support of your existing equipment and future purchasing decisions.

Vision Statement

Marco is the world's premier provider of Abrasives, Blasting, Coating, Dust Collectors, Engineered Systems, Rental, Safety, Service, Repair, & Modernization, and Vacuums.

Mission Statement

Marco provides strong leadership and innovation to the surface preparation and protective coatings industries. We dedicate our efforts to the continuous improvement of our products, services, processes, people, and most importantly, the quality of our customer's experience.

Quality Statement

Marco is committed to providing superior quality in the design, manufacturing, distribution, rental, service, and repair of our products. Our ISO 9001:2008 certification extends throughout all operations in all locations. Continuous improvement of our processes and supply chain Integration comprise the core of our business strategy for delivering exceptional quality and value in all Marco products and services.

Management Philosophy

We are a company dedicated to the success of every customer and associate. We discuss, debate, challenge, measure, and test our ideas. We will be boundless and limitless in our passion to improve. Through sound leadership and dedicated associates, we will ensure a long term, profitable future for Marco, our associates, customers, and suppliers.

TABLE OF CONTENTS

Company Profile	2
Table of Contents	3
Part Numbers	4-5
Part Numbers & Schematics	6-18
12-Volt DC Blastmaster® 121E Remote Control System	6-7
12-Volt DC 190 Electric Control Assembly	8
12-Volt DC 190 Electric Solenoid	9
120-Volt AC Blastmaster® 121E Remote Control System	10-11
12-Volt AC 190 Electric Control Assembly	12
12-Volt AC 190 Electric Solenoid	13
120-Volt AC to 12-Volt AC Power Converter	14
1-1/2" Inlet Valve	15
1" Diaphragm Outlet Valve	16
Abrasive Trap	17
Blastmaster® 151E Remote Control Switch	18
Optional Accessories	19

PART NUMBERS AND SCHEMATICS GUIDE

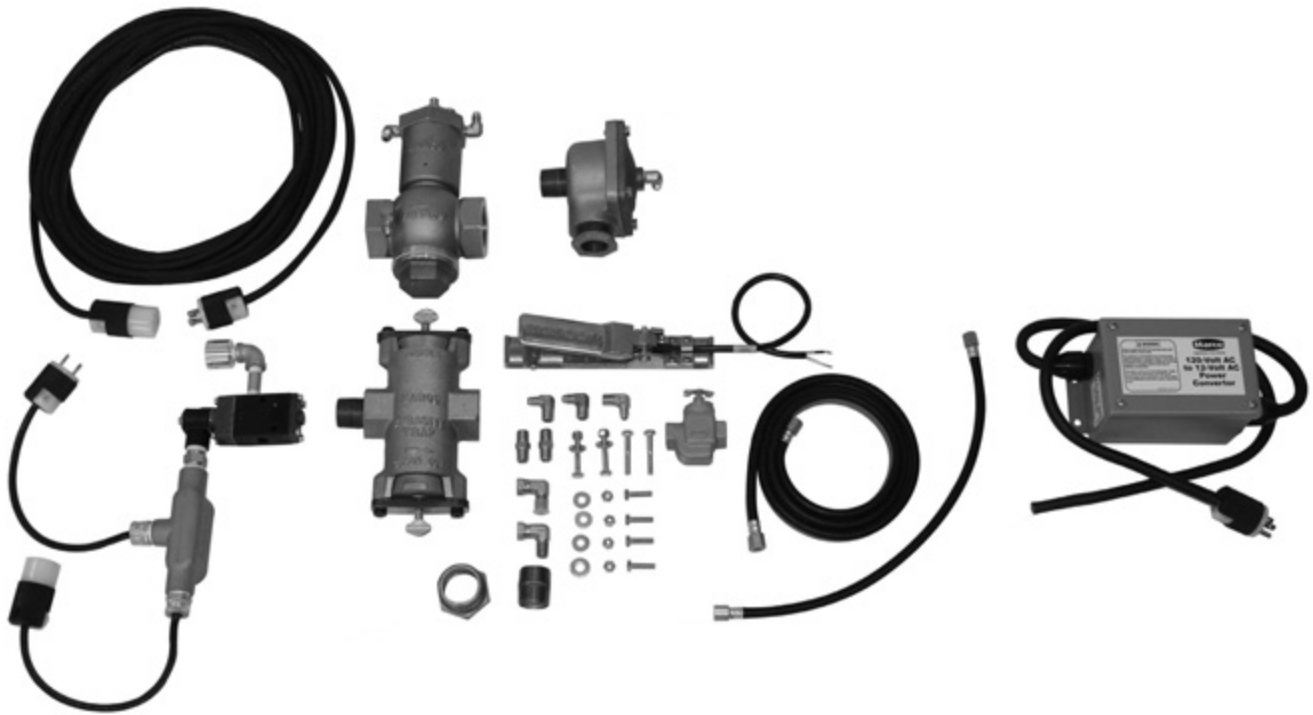
12-VOLT DC BLASTMASTER® 121E REMOTE CONTROL SYSTEM									
Part Numbers	Power Source	Battery Clamp Kit	190 Electric Control Assembly	Electric Control Line	1-1/2" Inlet Valve	Abrasive Trap	1" Diaphragm Outlet Valve	Remote Control Switch	Watts Strainer
10106737	12-Volt DC	1015541	12-Volt DC	25 Feet & 50 Feet	1012200	1012000	1012150	1015100	10WS



PART NUMBERS AND SCHEMATICS GUIDE

120-VOLT AC BLASTMASTER® 121E REMOTE CONTROL SYSTEM

Part Numbers	Power Source	120-Volt AC to 12-Volt AC Power Converter	190 Electric Control Assembly	Electric Control Line	1-1/2" Inlet Valve	Abrasive Trap	1" Diaphragm Outlet Valve	Remote Control Switch	Watts Strainer
10106738	120-Volt AC	1030020	12-Volt AC	50 Feet	1012200	1012000	1012150	1015100	10WS



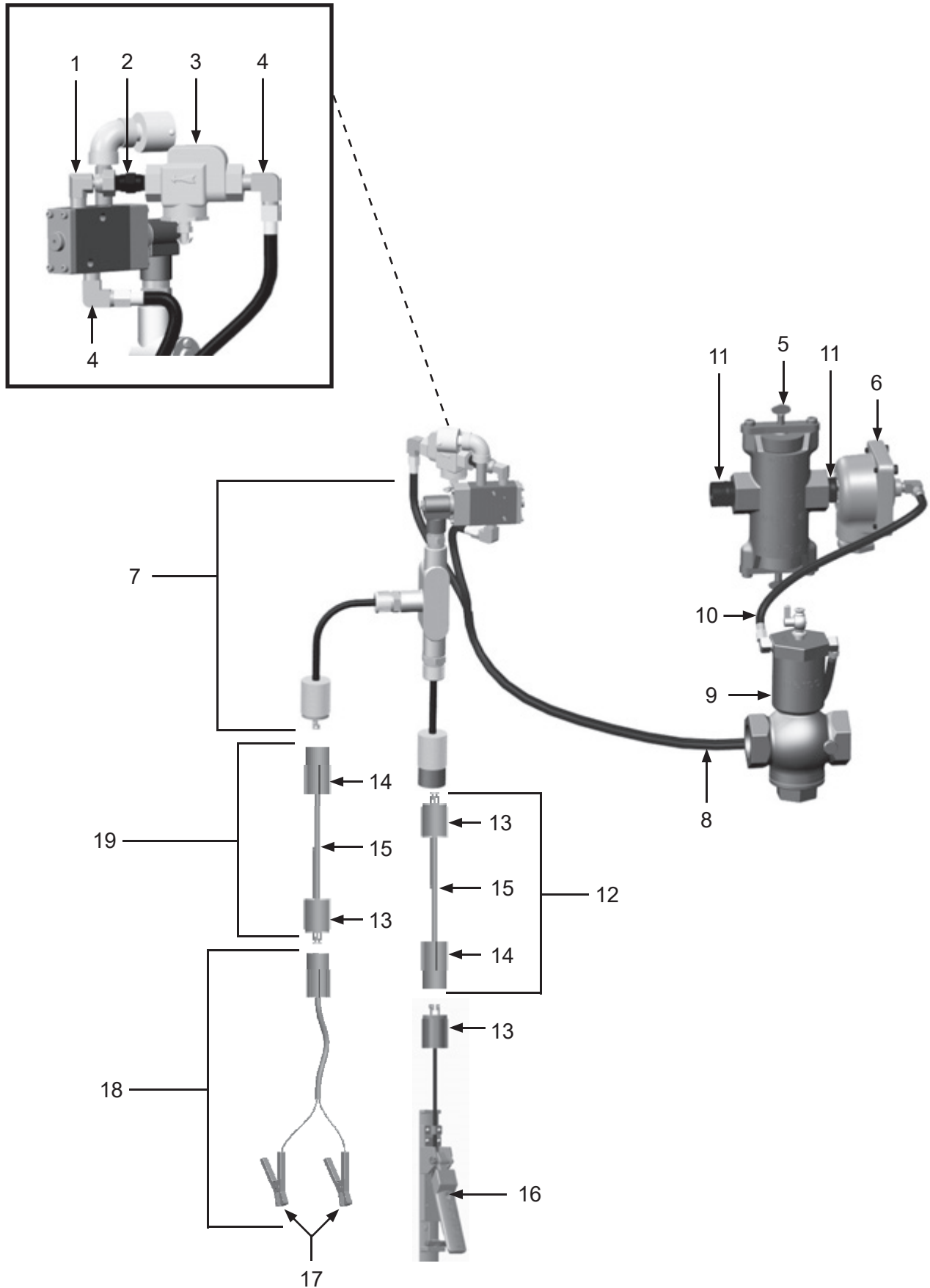
PART NUMBERS AND SCHEMATICS GUIDE

12-Volt DC Blastmaster® 121E Remote Control System

Item #	Part #	Description
Fig. 1		
—	10106737	12-Volt DC Blastmaster® 121E Remote Control System – Complete
1	1012326	1/4" NPT 90° Swivel Fitting
2	1017019	1/4" x 1/4" Hex Nipple
3	10WS	Watts Strainer
4	1012051	1/4" NPT Brass Elbow <i>(Two Required)</i>
5	1012000	Abrasive Trap <i>(See Figure 10)</i>
6	1012150	1" Diaphragm Outlet Valve <i>(See Figure 9)</i>
7	1019001	12-Volt DC 190 Electric Control Assembly <i>(See Figure 2)</i>
8	10TL5	Coupled Pneumatic Twinline Hose – 5 Feet
9	1012200	1-1/2" Inlet Valve – Complete <i>(See Figure 8)</i>
10	10CL18	Coupled Pneumatic Control Line – 18 Inches
11	1012151	1" Close Nipple <i>(Two Required)</i>
12	1015542	50 Feet of Electric Control Line with Male and Female Twist-Lock Plugs <i>(Includes Item #'s: 12, 13, and 14 (Quantity of 50 Feet))</i>
13	1015551	2-Prong Twist-Lock Plug – Male
14	1015552	2-Prong Twist-Lock Plug – Female
15	1015540	16/2 Power Cord – Per Foot
16	1015100	Blastmaster® 151E Remote Control Switch – Complete <i>(See Figure 11)</i>
17	1030718	Battery Clamps <i>(Pair)</i>
18	1015541	Battery Clamp Kit <i>(Includes Item #'s: 13, 14 (Quantity of Two Feet), and 16)</i>
19	1015543	25 Feet of Electric Control Line with Male and Female Twist-Lock Plugs <i>(Includes Item #'s: 12, 13, and 14 (Quantity of 25 Feet))</i>
—	105M063	Features and Specifications Guide – Blastmaster® 151E Remote Control Switch
—	105M141	Features and Specifications Guide – Blastmaster® 121E Remote Control System
—	106M063	Part Numbers & Schematics Guide – Blastmaster® 151E Remote Control Switch
—	106M141	Part Numbers & Schematics Guide – Blastmaster® 121E Remote Control System
—	1090063	Operator's Manual – Blastmaster® 151E Remote Control Switch
—	1090141	Operator's Manual – Blastmaster® 121E Remote Control System

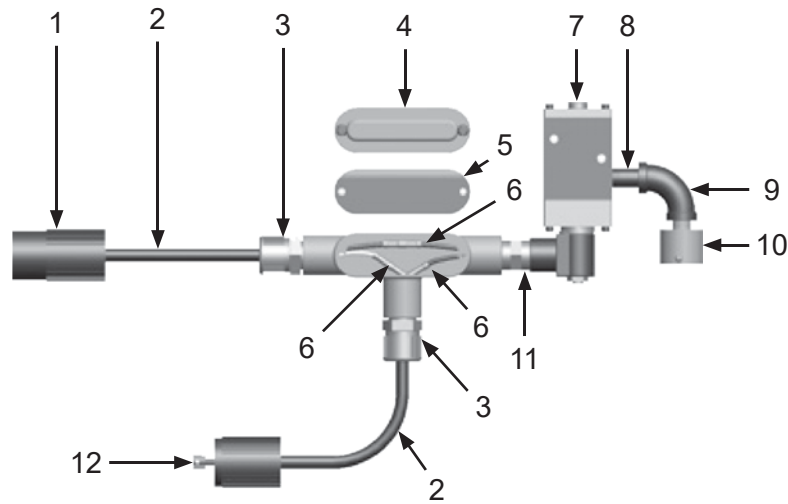
PART NUMBERS AND SCHEMATICS GUIDE

Figure 1: 12-Volt DC Blastmaster® 121E Remote Control System



PART NUMBERS AND SCHEMATICS GUIDE

Figure 2: 12-Volt DC 190 Electric Control Assembly



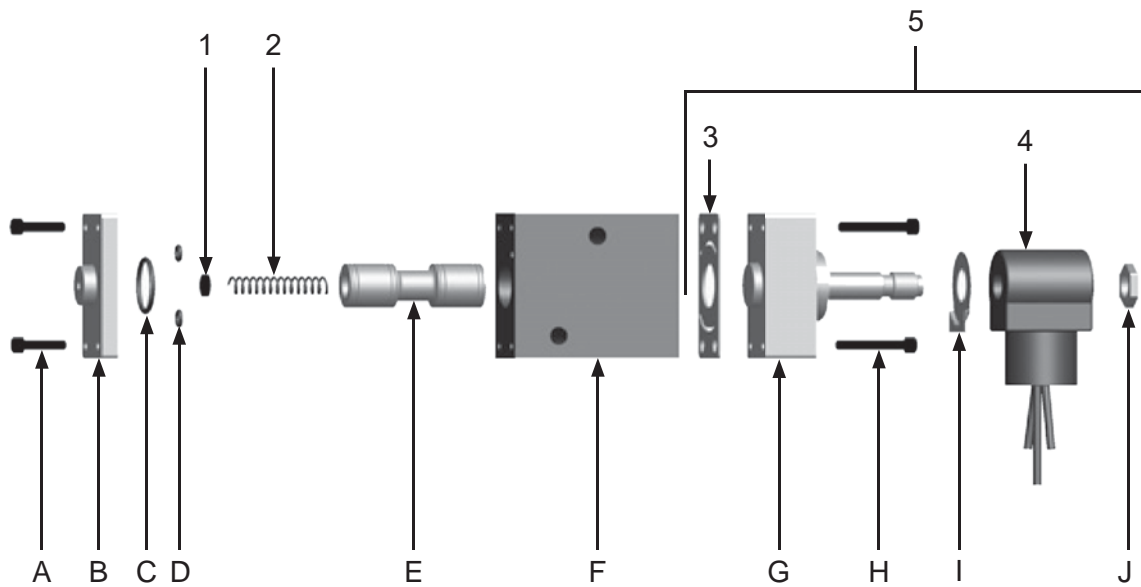
Item #	Part #	Description
--------	--------	-------------

Fig. 2

—	1019001	12-Volt DC 190 Electric Control Assembly – Complete
1	1015552	2-Prong Twist-Lock Plug – Female
2	1015540	16/2 Electric Cord – Per Foot
3	1019021	Cord Grip (<i>Two Required</i>)
4	1019022	Conduit Box Cover
5	1019023	Conduit Box Cover Gasket
6	1030028	Butt Splicer
7	1019010	12-Volt DC Electric Solenoid – Complete
8	1011217	1/4" x 2" Pipe Nipple
9	1011832	1/4" NPT 90° Pipe Nipple
10	10DE025	Dust Eliminator
11	20100677	1/2" x 1/2" NPT Hex Nipple
12	1015551	2-Prong Twist-Lock Plug – Male
—	1091045	Hazard Identification Tag

PART NUMBERS AND SCHEMATICS GUIDE

Figure 3: 12-Volt DC 190 Electric Solenoid



Item #	Part #	Description
--------	--------	-------------

Fig. 3

—	1019010	12-Volt DC 190 Electric Solenoid – Complete
---	----------------	--

1	1019029	Felt Filter
---	---------	-------------

2	1019032	Spring
---	---------	--------

3	1019033	Gasket
---	---------	--------

4	1019039	12-Volt DC Coil
---	---------	-----------------

5	1019034	12-Volt DC Operator Assembly (Includes Item #'s: 3, 4, G, H, I, and J)
---	---------	---

—	1019030	Electric Solenoid Repair Kit (Includes Items #'s: 1, 2, 3, C, D, and E)
---	---------	--

* Items A–J are not available individually

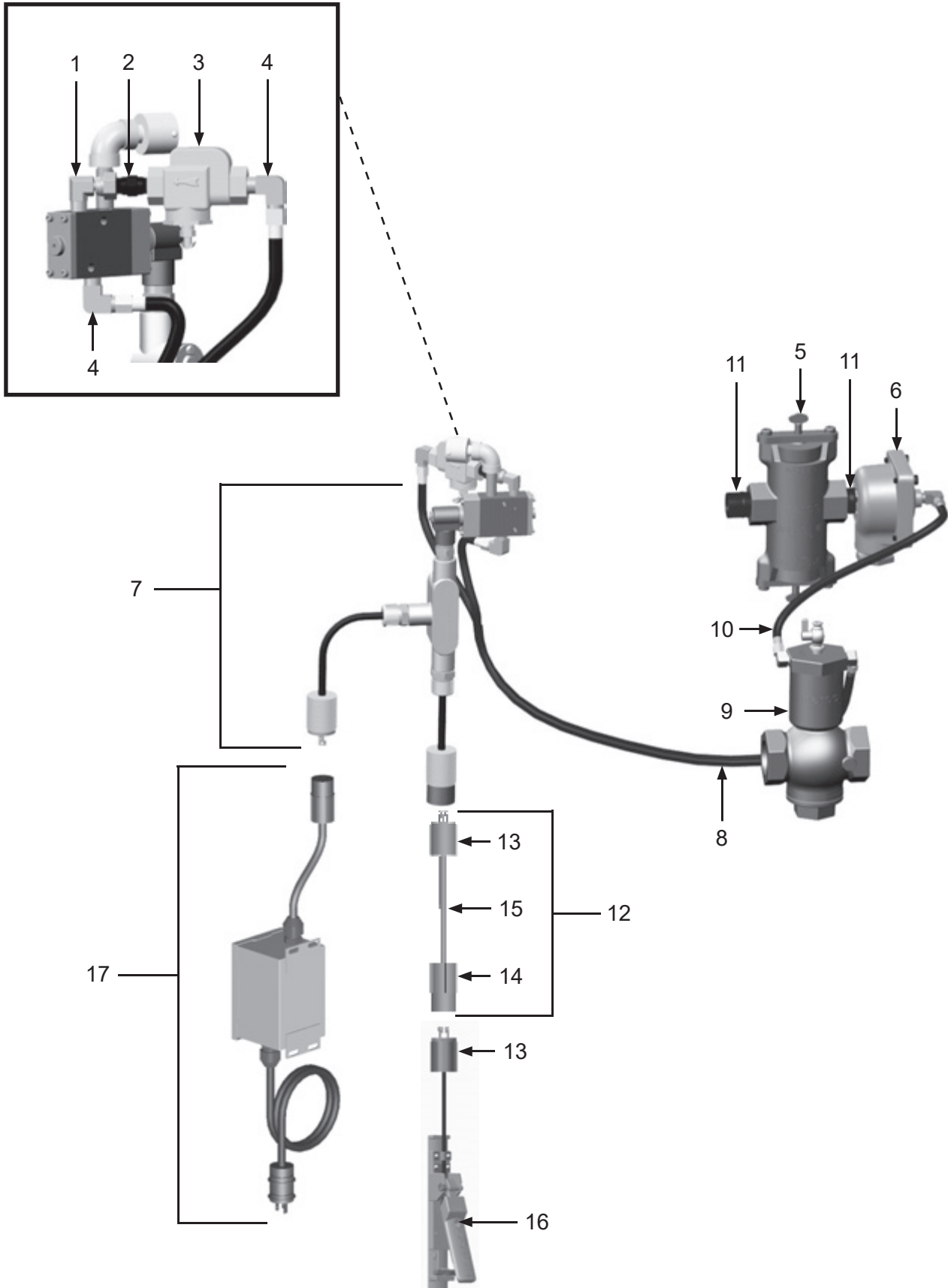
PART NUMBERS AND SCHEMATICS GUIDE

120-Volt AC Blastmaster® 121E Remote Control System

Item #	Part #	Description
Fig. 4		
—	10106738	120-Volt AC Blastmaster® 121E Remote Control System – Complete
1	1012326	1/4" NPT 90° Swivel Fitting
2	1017019	1/4" x 1/4" Hex Nipple
3	10WS	Watts Strainer
4	1012051	1/4" NPT Brass Elbow <i>(Two Required)</i>
5	1012000	Abrasive Trap <i>(See Figure 10)</i>
6	1012150	1" Diaphragm Outlet Valve <i>(See Figure 9)</i>
7	1019002	12-Volt AC 190 Electric Control Assembly <i>(See Figure 5)</i>
8	10TL5	Coupled Pneumatic Twinline Hose – 5 Feet
9	1012200	1-1/2" Inlet Valve – Complete <i>(See Figure 8)</i>
10	10CL18	Coupled Pneumatic Control Line – 18 Inches
11	1012151	1" Close Nipple <i>(Two Required)</i>
12	1015542	50 Feet of Electric Control Line with Male and Female Twist-Lock Plugs <i>(Includes Item #'s: 12, 13, and 14 (Quantity of 50 Feet))</i>
13	1015551	2-Prong Twist-Lock Plug – Male
14	1015552	2-Prong Twist-Lock Plug – Female
15	1015540	16/2 Power Cord – Per Foot
16	1015100	Blastmaster® 151E Remote Control Switch – Complete <i>(See Figure 11)</i>
17	1030020	Blastmaster® 120-Volt AC to 12-Volt AC Power Converter – Complete <i>(See Figure 7)</i>
—	105M063	Features and Specifications Guide – Blastmaster® 151E Remote Control Switch
—	105M141	Features and Specifications Guide – Blastmaster® 121E Remote Control System
—	106M063	Part Numbers & Schematics Guide – Blastmaster® 151E Remote Control Switch
—	106M141	Part Numbers & Schematics Guide – Blastmaster® 121E Remote Control System
—	1090063	Operator's Manual – Blastmaster® 151E Remote Control Switch
—	1090141	Operator's Manual – Blastmaster® 121E Remote Control System

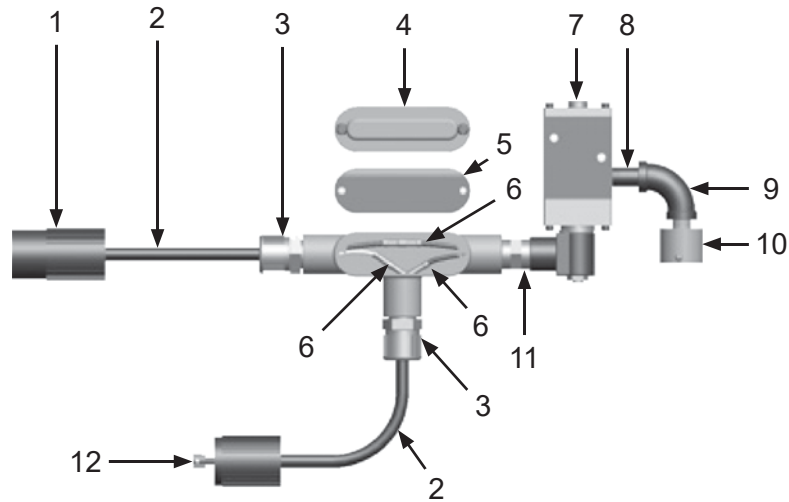
PART NUMBERS AND SCHEMATICS GUIDE

Figure 4: 120-Volt AC Blastmaster® 121E Remote Control System



PART NUMBERS AND SCHEMATICS GUIDE

Figure 5: 12-Volt AC 190 Electric Control Assembly



Item #	Part #	Description
--------	--------	-------------

Fig. 5

—	1019002	12-Volt AC 190 Electric Control Assembly – Complete
---	---------	---

1	1015552	2-Prong Twist-Lock Plug – Female
---	---------	----------------------------------

2	1015540	16/2 Power Cord – Per Foot
---	---------	----------------------------

3	1019021	Cord Grip (<i>Two Required</i>)
---	---------	-----------------------------------

4	1019022	Conduit Box Cover
---	---------	-------------------

5	1019023	Conduit Box Cover Gasket
---	---------	--------------------------

6	1030028	Butt Splicer
---	---------	--------------

7	1019011	12-Volt AC Electric Solenoid – Complete
---	---------	---

8	1011217	1/4" x 2" Pipe Nipple
---	---------	-----------------------

9	1011832	1/4" NPT 90° Pipe Nipple
---	---------	--------------------------

10	10DE025	Dust Eliminator
----	---------	-----------------

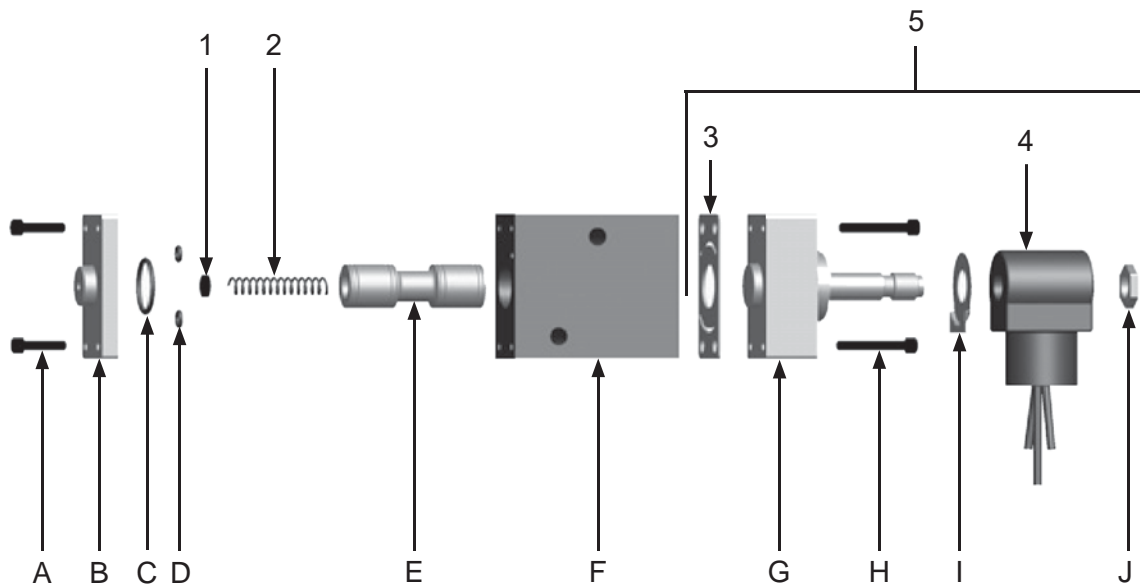
11	20100677	1/2" x 1/2" NPT Hex Nipple
----	----------	----------------------------

12	1015551	2-Prong Twist-Lock Plug – Male
----	---------	--------------------------------

—	1091045	Hazard Identification Tag
---	---------	---------------------------

PART NUMBERS AND SCHEMATICS GUIDE

Figure 6: 12-Volt AC 190 Electric Solenoid



Item #	Part #	Description
--------	--------	-------------

Fig. 6

—	1019011	12-Volt AC 190 Electric Solenoid – Complete
---	---------	---

1	1019029	Felt Filter
---	---------	-------------

2	1019032	Spring
---	---------	--------

3	1019033	Gasket
---	---------	--------

4	1019040	12-Volt AC Coil
---	---------	-----------------

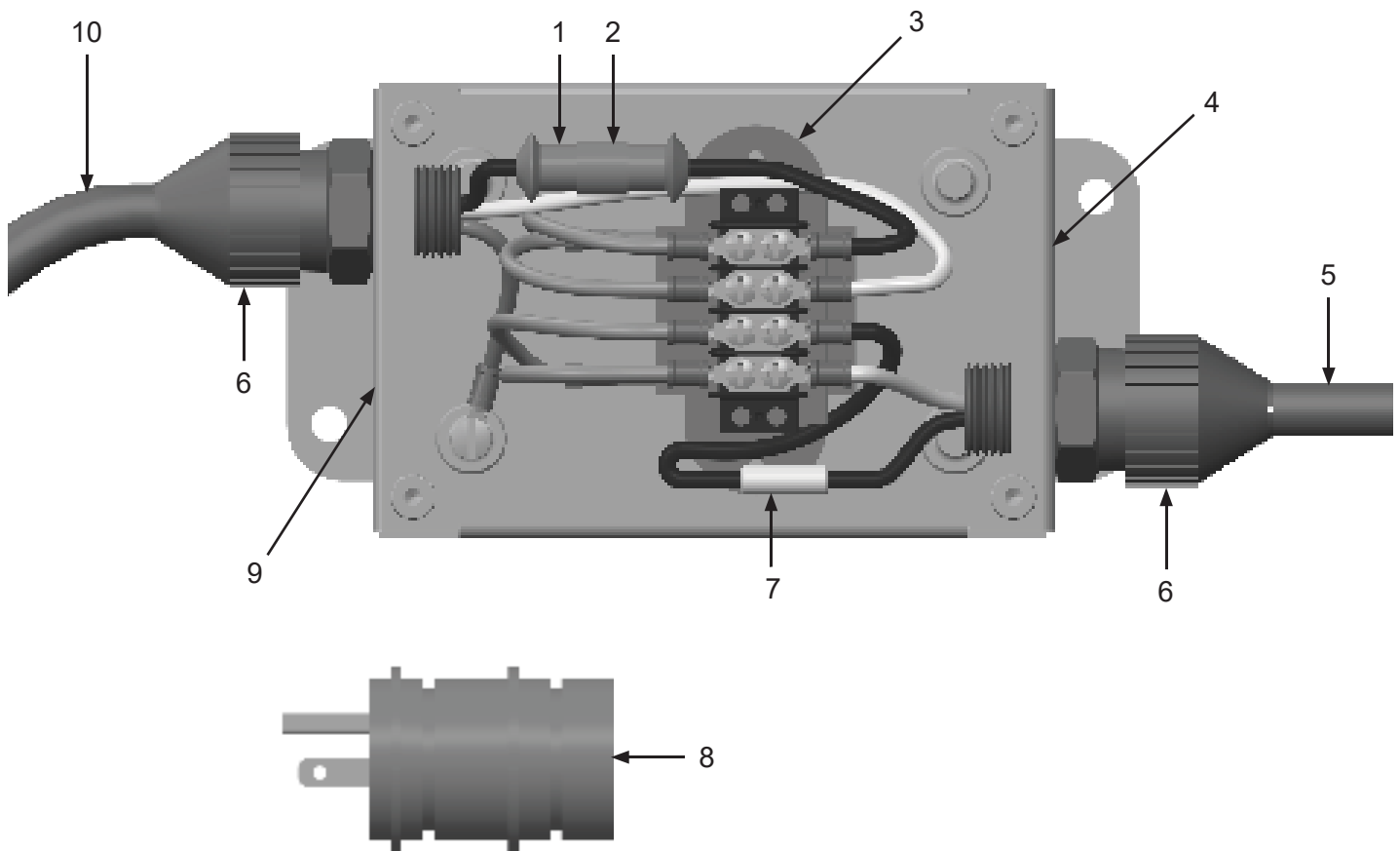
5	1019035	12-Volt AC Electric Operator Assembly (Includes Item #'s: 3, 4, G, H, I, and J)
---	---------	--

—	1019030	12-Volt AC Electric Solenoid Repair Kit (Includes Item #'s: 1, 2, 3, C, D, and E)
---	---------	--

* Items A–J are not available individually

PART NUMBERS AND SCHEMATICS GUIDE

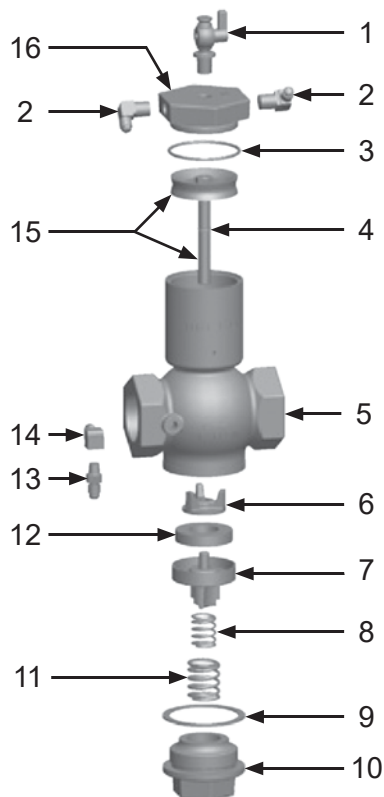
Figure 7: 120-Volt AC to 12-Volt AC Power Converter



Item #	Part #	Description
Fig. 7		
—	1030020	Blastmaster® 120-Volt AC to 12-Volt AC Power Converter with 3 Feet of 14/2 Electric Cord and Plug – Complete
1	1030024	2 Amp Fuse
2	1030023	In-Line Fuse Holder
3	1030022	Transformer – Blastmaster 120-Volt AC to 12-Volt AC Power Converter
4	1091067	Power-Out Decal (<i>Not Shown</i>)
5	1030013	14/2 SEOW Electric Cord (<i>Per Foot</i>)
6	1030025	Strain Relief (<i>Two Required</i>)
7	1030021	Resistor
8	1030026	3-Prong, 120-Volt AC Plug – Male
9	1092014	Power-In Decal (<i>Not Shown</i>)
10	1015550	14/3 SEOW Electric Cord (<i>Per Foot</i>)
—	1091063	Hazard Identification Decal

PART NUMBERS AND SCHEMATICS GUIDE

Figure 8: 1-1/2" Inlet Valve



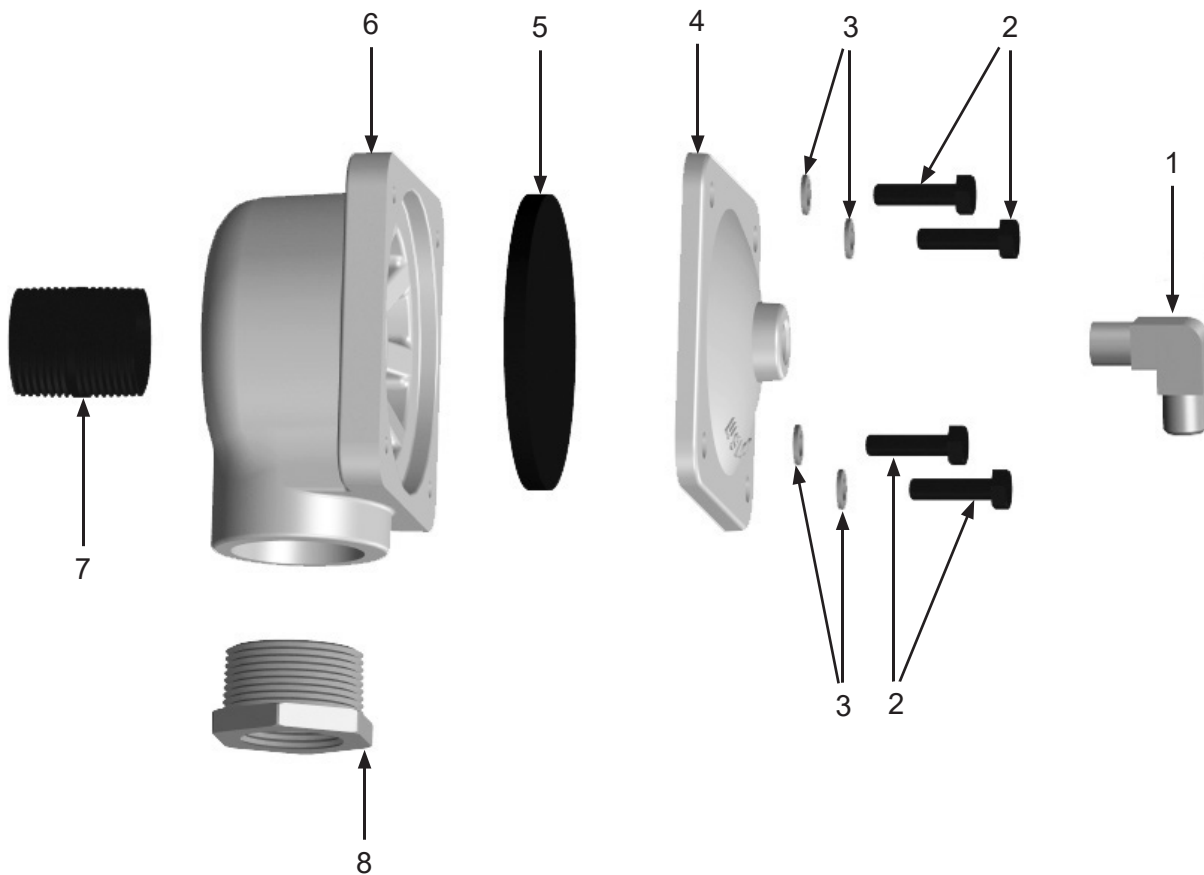
Item #	Part #	Description
--------	--------	-------------

Fig. 8

—	1012200	1-1/2" Inlet Valve – Complete
1	1012101	1/4" NPT Petcock
2	1012051	1/4" NPT Brass Elbow <i>(Two Required)</i>
3	1012213	1/8" x 2-1/2" O-Ring
4	1012208	1/16" x 7/16" O-Ring
5	1012204	1-1/2" Body
6	1012207	1-1/2" Plug Washer Retainer
7	1012205	1-1/2" Plug
8	1012105	5/8" x 1-11/16" Inner Spring
9	1012202	1-1/2" Bottom Cap Gasket
10	1012201	1-1/2" Bottom Cap
11	1012203	7/8" x 2-1/16" Outer Spring
12	1012206	1-1/2" Plug Washer
13	1012103	1/8" Adapter with 1/16" Restrictor Port
14	1012113	1/8" Street Elbow
15	1012209	Piston and Rod Assembly
16	1012214	1-1/2" Cylinder Cap
—	1012215	1-1/2" Inlet Valve Repair Kit <i>(Includes Item #'s: 3, 4, 8, 9, 11, and 12 (Quantity of Two))</i>

PART NUMBERS AND SCHEMATICS GUIDE

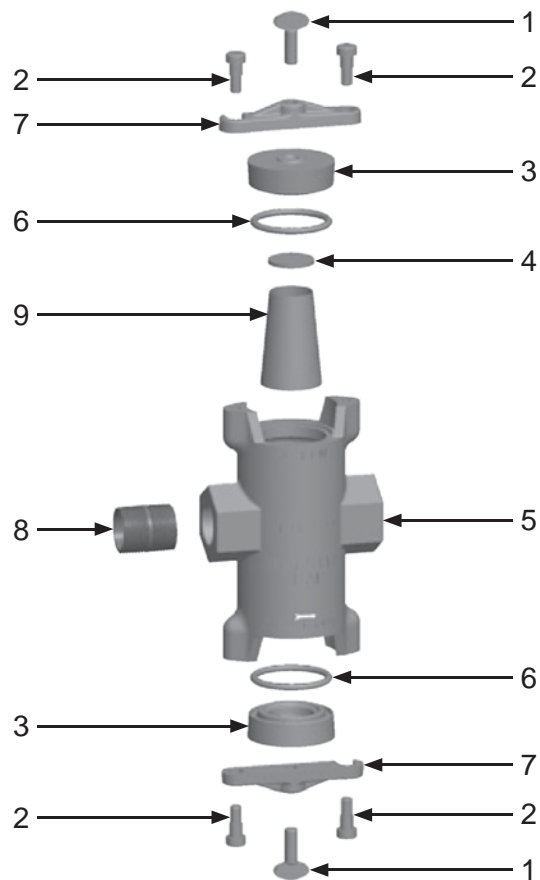
Figure 9: 1" Diaphragm Outlet Valve



Item #	Part #	Description
Fig. 9		
—	1012150	1" Diaphragm Outlet Valve – Complete
1	1012051	Elbow 1/4" NPT x 7/16-20 Tap
2	1012154	1/4-20 x 1 Hex Bolt (<i>Four Required</i>)
3	1012153	1/4" Lock Washer (<i>Four Required</i>)
4	1012155	Cap Diaphragm Outlet Valve
5	1012152	Diaphragm Only
6	1012156	Body Diaphragm Outlet Valve
7	1012151	1" Galvanized Close Nipple
8	1012157	1-1/4" x 1" Bushing
—	1091045	Hazard Identification Tag

PART NUMBERS AND SCHEMATICS GUIDE

Figure 10: Abrasive Trap



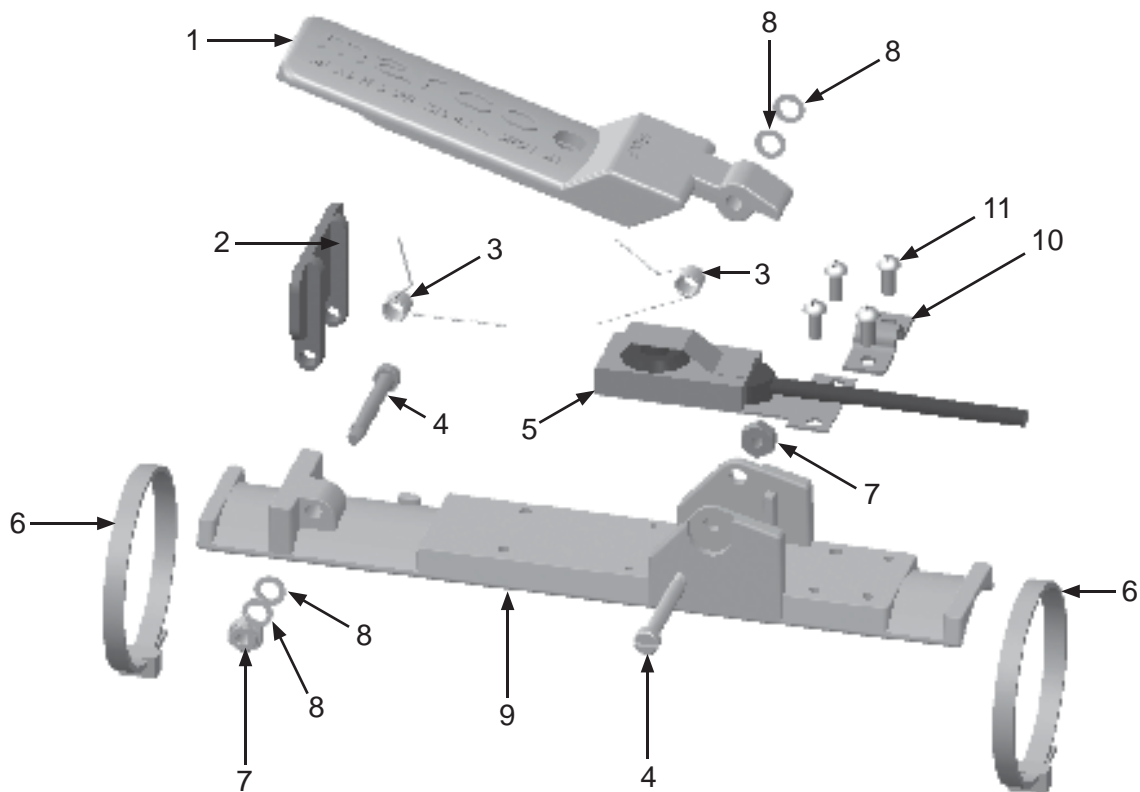
Item #	Part #	Description
--------	--------	-------------

Fig. 10

—	1012000	Abrasive Trap – Complete
1	1012006	Thumb Screw (Two Required)
2	1012007	3/8" x 3/8" Shoulder Bolt (Four Required)
3	1012003	Abrasive Trap Cap (Two Required)
4	1012008	Abrasive Trap Screen Gasket
5	1012004	Abrasive Trap Body
6	1012002	Abrasive Trap O-Ring (Two Required)
7	1012005	Cap Lock Bar (Two Required)
8	1012151	1" NPT Close Nipple
9	1012001	Abrasive Trap Screen
—	1012009	Abrasive Trap Repair Kit (Includes Item #'s: 4, 6 (Quantity of Two), and 9 (Quantity of Three))

PART NUMBERS AND SCHEMATICS GUIDE

Figure 11: Blastmaster® 151E Remote Control Switch






Item #	Part #	Description
--------	--------	-------------



Fig. 10

—	1015100	Blastmaster® 151E Remote Control Switch – Complete
1	1015001	Handle
2	1015003	Safety Tab
3	1015005	Spring (<i>Two Required</i>)
4	1015008	Shoulder Screw (<i>Two Required</i>)
5	10104268	Switch with Cord
6	1015015	Nylon Zip Tie – White (<i>Two Required</i>)
7	1015006	8-32 UNC-2B Nylon Insert Lock Nut (<i>Two Required</i>)
8	1015007	3/8" O.D. x 7/16" I.D. Washer (<i>Four Required</i>)
9	1015002	Body
10	1015101	Electric Cord Clamp
11	1015014	8-32 x 3/8" Phillips Head Screw (<i>Four Required</i>)
—	1091045	Hazard Identification Tag
—	105M063	Features and Specifications Guide – Blastmaster® 151E Remote Control Switch
—	106M063	Part Numbers and Schematics Guide – Blastmaster® 151E Remote Control Switch
—	1090063	Operator's Manual – Blastmaster® 151E Remote Control Switch

OPTIONAL ACCESSORIES

		ELECTRIC CONTROL LINE			
	Part Numbers	Gauge	# of Wires	Type	Length
	1015540	16	2		Per Foot
	1030013	14	2	SEOOW	Per Foot
	1015570	12	2	SOOW	Per Foot

		ELECTRIC CONTROL LINE WITH PLUGS				
	Part Numbers	Gauge	# of Wires	2-Prong Male Twist-Lock Plug	2-Prong Female Twist-Lock Plug	Length
	1015543	16	2	1015551	1015552	25 Feet
	1015542	16	2	1015551	1015552	50 Feet

		ELECTRIC CONTROL LINE PLUGS	
	Part Numbers	Prong Style	Plug Style
	1015551	2-Prong Male	Twist-Lock
	1015552	2-Prong Female	Twist-Lock

GLOBAL HEADQUARTERS

- 3425 East Locust Street
Davenport, IA 52803

ph: 800.BLAST.IT (800.252.7848)
ph: 563.324.2519
fax: 563.324.6258

REGIONAL BRANCH OFFICES

- **Iowa**
Davenport
- **Louisiana**
Gonzales
Harvey
Lafayette
- **Ohio**
Youngstown
- **Texas**
Beaumont
Corpus Christi
Deer Park



ABRASIVES
BLASTING
COATING
DUST COLLECTORS
ENGINEERED SYSTEMS
RENTAL
SAFETY
SERVICE, REPAIR, & MODERNIZATION
VACUUMS

40+ NATIONWIDE SHIPPING LOCATIONS



★ Marco Regional Branch Offices and Shipping Locations ● Direct Shipping Locations

CONTACT MARCO

800.BLAST.IT
(800.252.7848)
563.324.2519
FAX: 563.324.6258

WWW.MARCO.US
SALES@MARCO.US