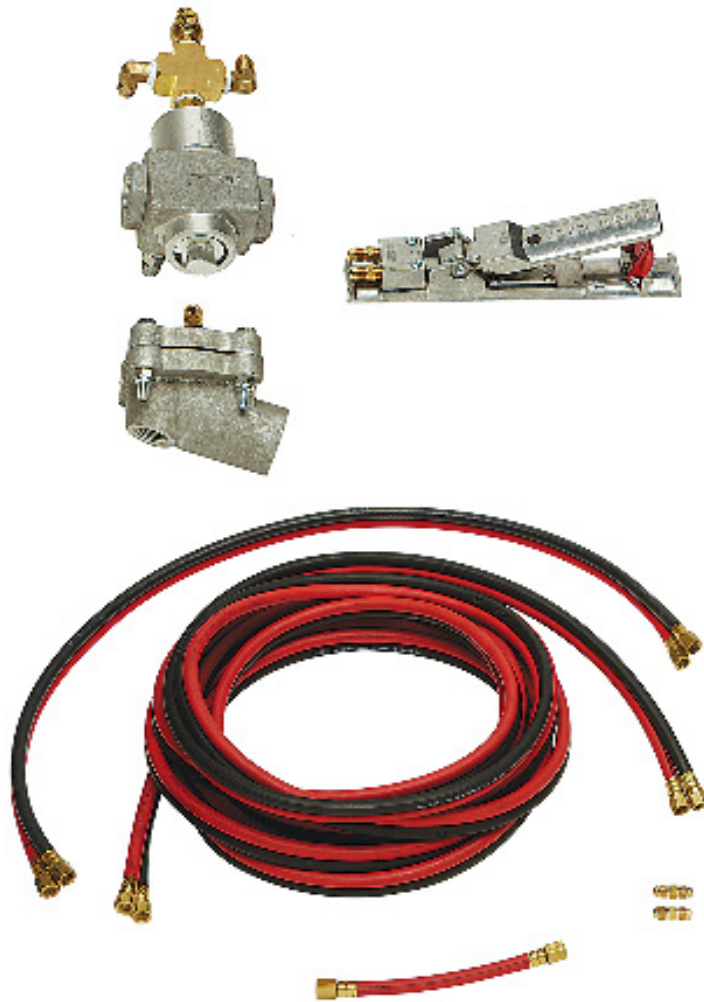




BLASTMASTER® 120P REMOTE CONTROL SYSTEM



BUILT MARCO TOUGH
MARCO MANUFACTURED

PART NUMBERS AND SCHEMATICS GUIDE

Company Profile

Since 1944, Marco has developed a strong tradition of providing innovative and reliable products and services to the surface preparation and protective coatings industries. We are the world's premier provider of Abrasives, Blasting Equipment, Coating Equipment, Engineered Systems, Rental Equipment, Safety Equipment, Service, and Repair.

Through innovative designs and a total commitment to quality, Marco manufactures products that increase production rates, create a safer workplace, and reduce maintenance costs. Marco's industry experience, manufacturing capabilities, legendary customer service, product availability, logistics services, and technology leadership is your assurance that we deliver high quality products and services, providing the best value to you, our customer.

The Marco Difference

- **Industry Experience** – With Marco on your team, you have access to expertise which can only come from decades of industry leadership. We have organized our engineering department, production specialists, customer operations, and safety support into a "Center of Competence." As a Marco customer, you have access to hundreds of years of cumulative experience related to your operations.
- **Manufacturing Excellence** – Marco is a U.S. based, ISO 9001:2008 certified manufacturer of equipment for the Surface Preparation and Protective Coatings industries. Marco's engineers benchmark the industry to ensure that we design and manufacture superior products that set the "Gold Standard" for performance, safety, and quality.
- **Legendary Customer Service** – Marco's legendary customer service team is staffed by friendly, highly-trained individuals who are focused on providing the highest level of product support, order accuracy, and customer satisfaction.
- **Product Availability** – We stock over 10,000 SKU's and have over 45 shipping locations to serve North American and International markets for all major brands of blasting and painting equipment. As the largest provider of surface preparation and protective coatings equipment in the world, our inventory levels and product availability are unmatched.
- **Logistics Services** – Marco's in-house logistics team is dedicated to moving your shipment anywhere in the world. We move over 14,000 truckloads every year, allowing you to save on freight costs by leveraging our buying power. Lower your process costs with a single invoice, which includes product and freight.
- **Technology Leadership** – Our website provides: Operator's Manuals, Part Numbers and Schematics Guides, MSDS information, and Features and Specifications Guides, providing access to information 24/7. Our Extranet application allows you to receive quotes and place orders online. Our Intranet maintains a complete record of your purchase history to assist with ongoing support of your existing equipment and future purchasing decisions.

Vision Statement

Marco is the world's premier provider of Abrasives, Blasting Equipment, Coating Equipment, Engineered Systems, Rental Equipment, Safety Equipment, Service, and Repair.

Mission Statement

Marco provides strong leadership and innovation to the surface preparation and protective coatings industries. We dedicate our efforts to the continuous improvement of our products, services, processes, people, and most importantly, the quality of our customer's experience.

Quality Policy

Marco is committed to providing superior quality in the design, manufacturing, distribution, rental, service, and repair of our products. Our ISO 9001:2008 certification extends throughout all operations in all locations. Continuous improvement of our processes and supply chain Integration comprise the core of our business strategy for delivering exceptional quality and value in all Marco products and services.

Management Philosophy

We are a company dedicated to the success of every customer and associate. We discuss, debate, challenge, measure, and test our ideas. We will be boundless and limitless in our passion to improve. Through sound leadership and dedicated associates, we will ensure a long term, profitable future for Marco, our associates, customers, and suppliers.

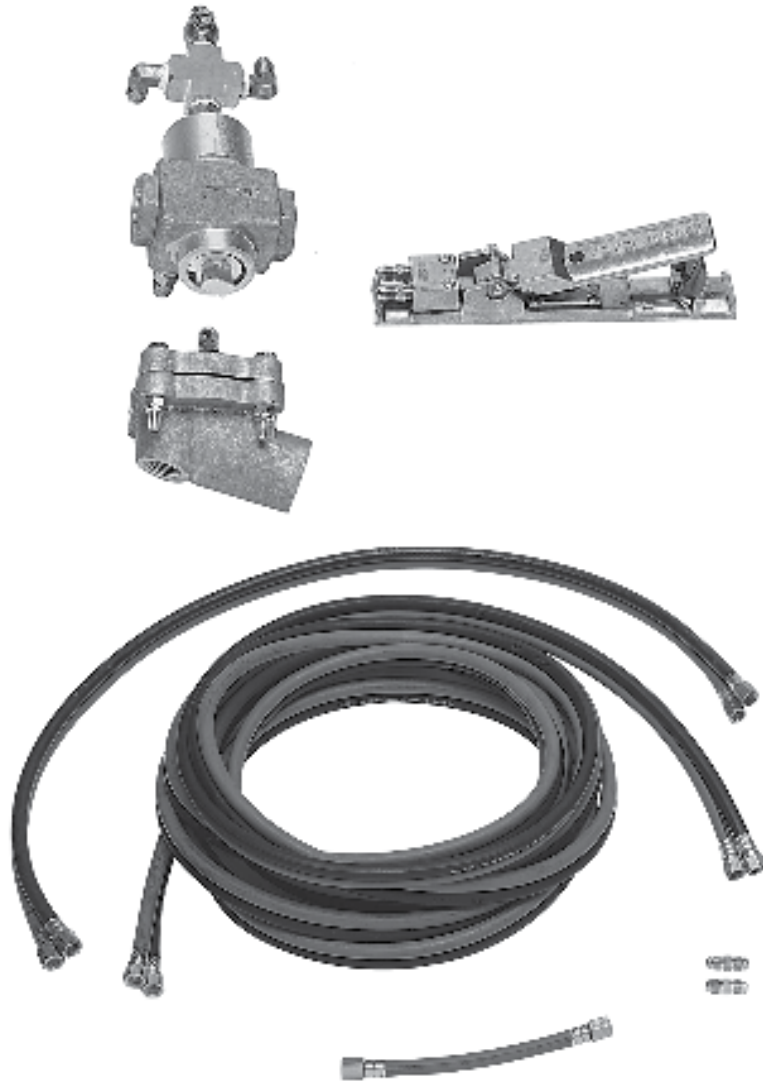
TABLE OF CONTENTS

Company Profile	1
Table of Contents	2
Blastmaster® 120P Remote Control System	3-12
Part Number	3-4
Part Numbers & Schematics	5-9
Blastmaster® 120P Remote Control System	5-6
1/2" Inlet Valve	7-8
1/2" Diaphragm Outlet Valve	9
Blastmaster® 150P Remote Control Switch	10
Optional Accessories	11-12
Maintenance Notes	13-14

PART NUMBER

BLASTMASTER® 120P REMOTE CONTROL SYSTEM						
Part Number	1/2" Inlet Valve	1/2" Diaphragm Outlet Valve	Remote Control Switch	25 Feet of Pneumatic Control Line – Coupled	3 Feet of Pneumatic Control Line – Coupled	6 Inches of Feet of Pneumatic Control Line – Coupled
10101775	10100534	10100676	1015000	10TL25	10TL3	10CL6

BLASTMASTER® 120P REMOTE CONTROL SYSTEM

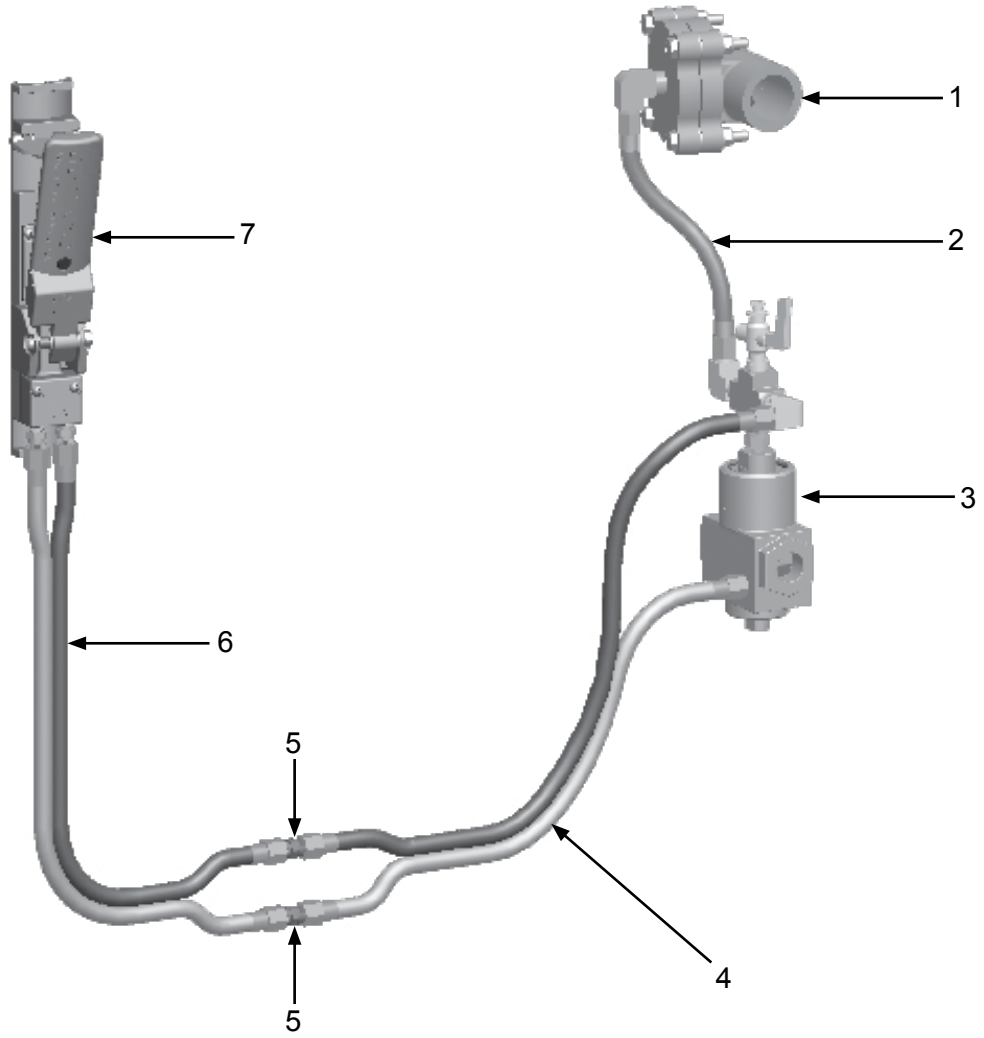


PART NUMBERS & SCHEMATICS

Item #	Part #	Description
Fig. 1		
—	10101775	Blastmaster® 120P Remote Control System – Complete
1	10100676	1/2" Diaphragm Outlet Valve <i>(See Fig. 3)</i>
2	10CL6	Pneumatic Control Line – 6 Inches
3	10100534	1/2" Inlet Valve <i>(See Fig. 2)</i>
4	10TL3	Pneumatic Control Line – 3 Feet
5	1017001	3/16" Hose Union <i>(Two Required)</i>
6	10TL25	Pneumatic Control Line – 25 Feet
7	1015000	Blastmaster® 150P Remote Control Switch
—	105M100	Features and Specifications Guide – Blastmaster® 120P Remote Control System
—	105M023	Features and Specifications Guide – Blastmaster® 150P Remote Control Switch
—	106M100	Part Numbers & Schematics Guide – Blastmaster® 120P Remote Control System
—	106M023	Part Numbers & Schematics Guide – Blastmaster® 150P Remote Control Switch
—	1090100	Operator's Manual – Blastmaster® 120P Remote Control System
—	1090023	Operator's Manual – Blastmaster® 150P Remote Control Switch
—	1091045	Hazard Identification Tag

PART NUMBERS & SCHEMATICS

Figure 1: Blastmaster® 120P Remote Control System



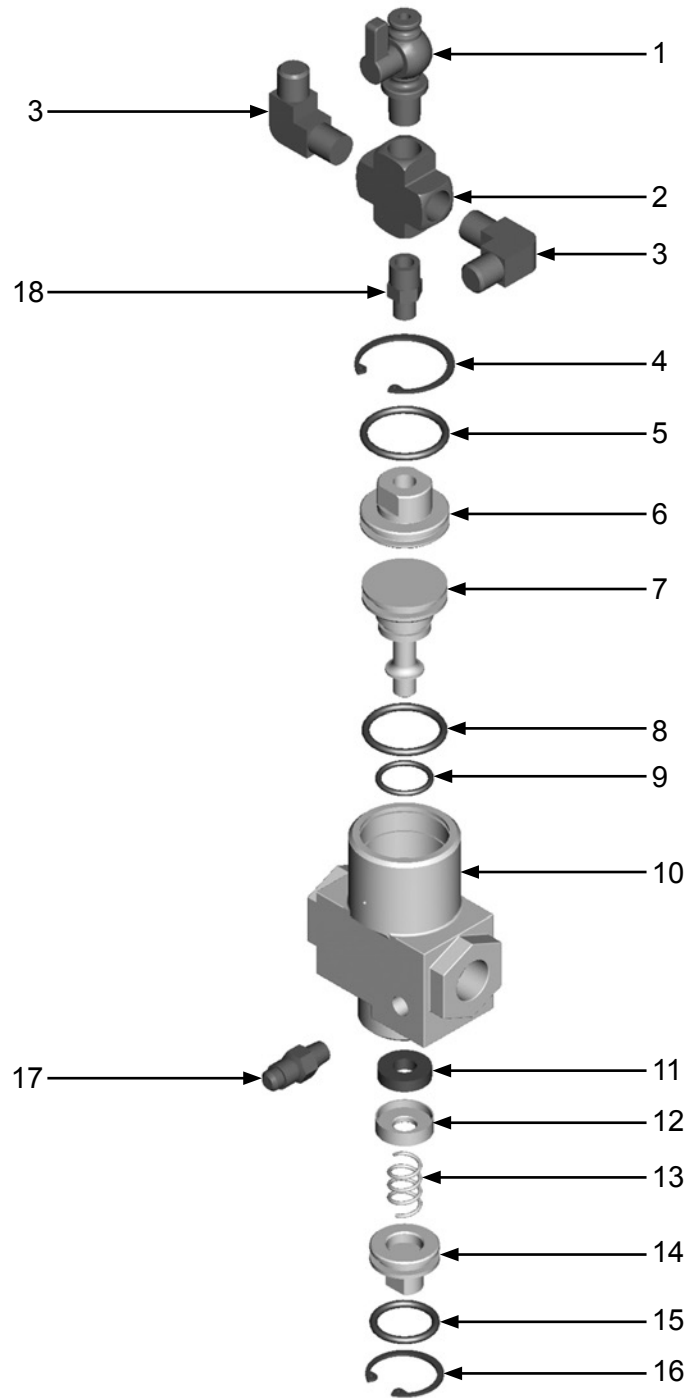
PART NUMBERS & SCHEMATICS

1/2" Inlet Valve

Item #	Part #	Description
Fig. 2		
—	10100534	1/2" Inlet Valve – Complete
1	1012101	1/4" Petcock
2	10101143	1/4" NPT Brass Cross
3	1012051	1/4" NPT x 7/16-20 Elbow (<i>Two Required</i>)
4	10100538	Top Snap Ring
5	10100545	Top Seal O-ring
6	10100537	Top Seal Retainer
7	10100541	Piston
8	10100548	Upper O-ring
9	10100547	Lower O-ring
10	10100535	Valve Body
11	10100543	Plug Washer
12	10100542	Valve Washer Cup
13	10100544	Spring
14	10100539	Bottom Seal Retainer
15	10100546	Bottom Seal O-ring
16	10100540	Bottom Snap Ring
17	1012103	1/8" NPT x 7/16-20 Fitting
18	10PVFIT	1/4" x 1/8" Hex Union
—	10101815	Service Kit <i>(Includes Item #'s: 4, 5, 8, 9, 11, 12, 13, 15, and 16)</i>
—	105M100	Features and Specifications Guide – Blastmaster® 120P Remote Control System
—	106M100	Part Numbers and Schematics Guide – Blastmaster® 120P Remote Control System
—	1090100	Operator's Manual – Blastmaster® 120P Remote Control System

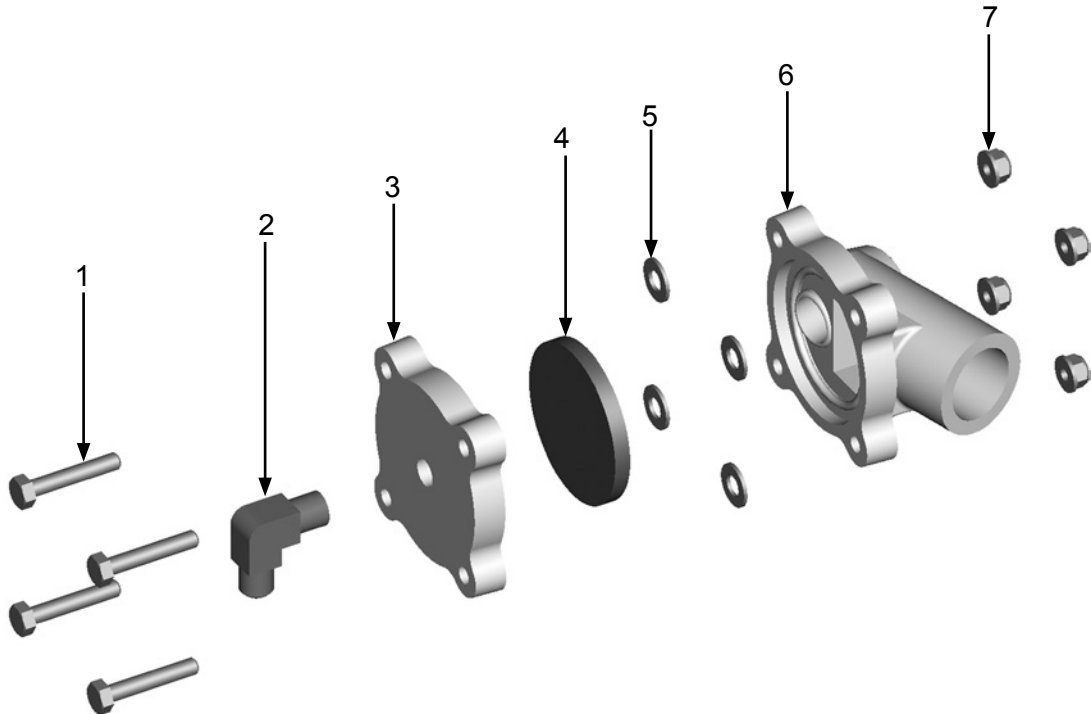
PART NUMBERS & SCHEMATICS

Figure 2: 1/2" Inlet Valve



PART NUMBERS & SCHEMATICS

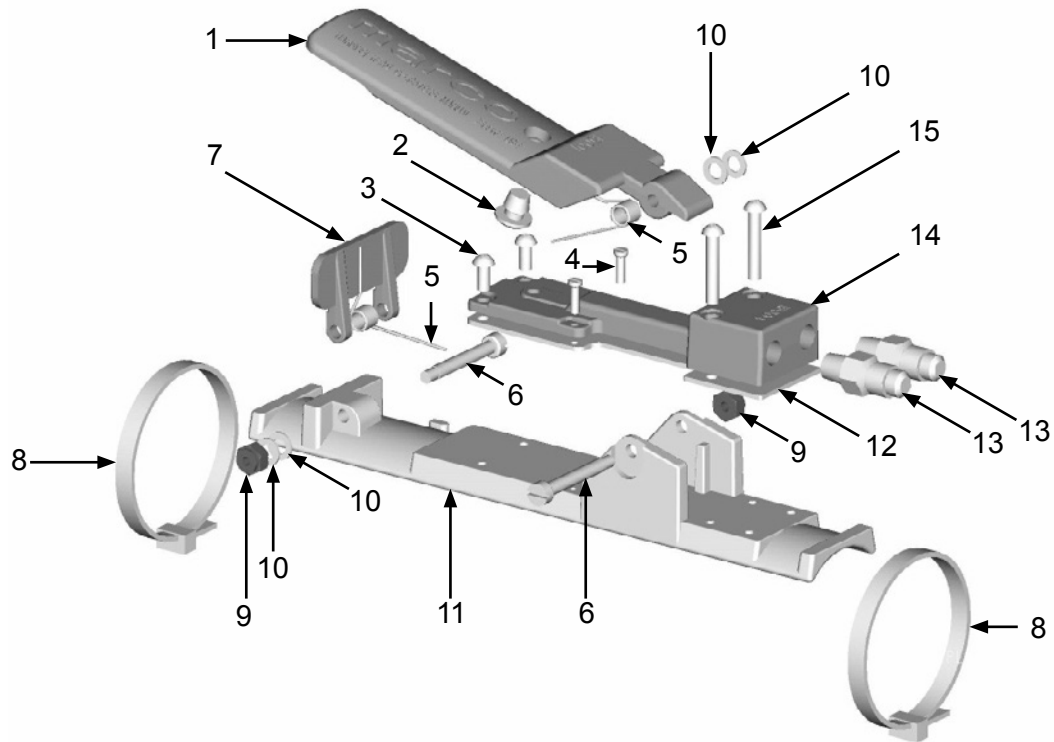
Figure 3: 1/2" Diaphragm Outlet Valve



Item #	Part #	Description
Fig. 3		
—	10100676	1/2" Diaphragm Outlet Valve – Complete
1	1019044	1/4-20 x 1-1/2" Bolt (<i>Four Required</i>)
2	1012051	1/4" NPT x 7/16-20 Elbow
3	10100677	Valve Cap
4	10100681	Diaphragm
5	1014017	1/4" Flat Washer (<i>Four Required</i>)
6	10100679	Valve Body
7	1012323	1/4-20 Nylon Lock Nut (<i>Four Required</i>)
—	105M100	Features and Specifications Guide – Blastmaster® 120P Remote Control System
—	106M100	Part Numbers and Schematics Guide – Blastmaster® 120P Remote Control System
—	1090100	Operator's Manual – Blastmaster® 120P Remote Control System

PART NUMBERS & SCHEMATICS

Figure 4: Blastmaster® 150P Remote Control Switch



Item #	Part #	Description
--------	--------	-------------

Fig. 4

—	1015000	Blastmaster® 150P Remote Control Switch – Complete
1	1015001	Handle
2	1015011	Rubber Button Bumper
3	1015014	8-32 x 3/8" Phillips Head Screw <i>(Two Required)</i>
4	1015010	4-40 x 3/8" Fillister Screw <i>(Two Required)</i>
5	1015005	Spring <i>(Two Required)</i>
6	1015008	Shoulder Screw <i>(Two Required)</i>
7	1015003	Safety Tab
8	1015015	Nylon Zip Tie – White <i>(Two Required)</i>
9	1015006	8-32 UNC-2B Nylon Insert Lock Nut <i>(Two Required)</i>
10	1015007	3/8" O.D. x 7/16" I.D. Washer <i>(Four Required)</i>
11	1015002	Body
12	1015012	Adapter Block Gasket
13	1012903	1/8" NPT x 7/16-20 JIC Fitting <i>(Two Required)</i>
14	1015004	Adapter Block
15	1015009	8-32 x 1" Phillips Head Screw <i>(Two Required)</i>
—	1015013	Blastmaster® 150P Remote Control Switch Repair Kit <i>(Includes Item #'s: 7, 12; two each of 3, 4, 5, 6, 9 and 15; three each of 2; and four each of 10)</i>
—	105M023	Features and Specifications Guide – Blastmaster® 150P Remote Control Switch
—	106M023	Part Numbers and Schematics Guide – Blastmaster® 150P Remote Control Switch
—	1090023	Operator's Manual – Blastmaster® 150P Remote Control Switch
—	1091032	Hazard Identification Tag

OPTIONAL ACCESSORIES

Part Numbers	PNEUMATIC CONTROL LINE	
	Length	Fittings
10TL3	3 Feet	(4) 1017016
10TL5	5 Feet	(4) 1017016
10TL25	25 Feet	(4) 1017016
10TL50	50 Feet	(4) 1017016
10TL100	100 Feet	(4) 1017016
10TLBK	Per Feet	None



10TL3
10TL5










10TL25
10TL50
10TL100



10TLBK

OPTIONAL ACCESSORIES

Part Numbers	PNEUMATIC CONTROL LINE FITTINGS	
	1017016	3/16" Female Nut & Barb
	1017000	3/16" Female Reusable Hose End
	1017017	Pneumatic Control Line Hose Ferrule
	1017011	Pneumatic Control Line Oetiker Clamp
	1017001	3/16" Male x Male Hose Union

Part Numbers	PNEUMATIC CONTROL LINE FITTINGS ACCESSORIES	
	10DX855A	Ferrule Crimping Tool
	10DX1098	Oetiker® Clamp Tool

Oetiker® is a registered trademark of Dixon Valve & Coupling Co.

GLOBAL HEADQUARTERS

- 3425 East Locust Street
Davenport, IA 52803

ph: 800.BLAST.IT (800.252.7848)

ph: 563.324.2519

fax: 563.324.6258

GULF STATES HEADQUARTERS

- 701 East Boulevard
Deer Park, TX 77536

ph: 800.BLAST.IT (800.252.7848)

ph: 281.930.0905

fax: 281.542.0736

REGIONAL BRANCH OFFICES

- **Iowa**
Davenport
- **Louisiana**
Gonzales
Lafayette
- **Ohio**
Youngstown
- **Texas**
Beaumont
Corpus Christi
Deer Park



ABRASIVES

BLASTING

COATING

DUST COLLECTORS

ENGINEERED SYSTEMS

RENTAL

SAFETY

SERVICE & REPAIR

VACUUMS

40+ NATIONWIDE SHIPPING LOCATIONS



★ Marco Regional Branch Offices
and Shipping Locations

● Direct Shipping Locations

CONTACT MARCO

800.BLAST.IT

(800.252.7848)

563.324.2519

FAX: 563.324.6258

WWW.MARCO.US

SALES@MARCO.US