



# BLASTMASTER® 120E REMOTE CONTROL SYSTEM



**BUILT MARCO TOUGH**  
MARCO MANUFACTURED

## PART NUMBERS AND SCHEMATICS GUIDE

## Company Profile

Since 1944, Marco has developed a strong tradition of providing innovative and reliable products and services to the surface preparation and protective coatings industries. We are the world's premier provider of Abrasives, Blasting, Coating, Dust Collectors, Engineered Systems, Rental, Safety, Service, Repair, & Modernization, and Vacuums.

Through innovative designs and a total commitment to quality, Marco manufactures products that increase production rates, create a safer workplace, and reduce maintenance costs. Marco's industry experience, manufacturing capabilities, legendary customer service, product availability, logistics services, and technology leadership is your assurance that we deliver high quality products and services, providing the best value to you, our customer.

## The Marco Difference

- **Industry Experience** – With Marco on your team, you have access to expertise which can only come from decades of industry leadership. We have organized our engineering department, production specialists, customer operations, and safety support into a “Center of Competence.” As a Marco customer, you have access to hundreds of years of cumulative experience related to your operations.
- **Manufacturing Excellence** – Marco is a U.S. based, ISO 9001:2008 certified manufacturer of equipment for the Surface Preparation and Protective Coatings industries. Marco's engineers benchmark the industry to ensure that we design and manufacture superior products that set the “Gold Standard” for performance, safety, and quality.
- **Legendary Customer Service** – Marco's legendary customer service team is staffed by friendly, highly-trained individuals who are focused on providing the highest level of product support, order accuracy, and customer satisfaction.
- **Product Availability** – We stock over 10,000 SKU's and have more than 45 shipping locations to serve North American and International markets for all major brands of blasting and coating equipment. As the largest provider of surface preparation and protective coatings equipment in the world, our inventory levels and product availability are unmatched.
- **Logistics Services** – Marco's in-house logistics team is dedicated to moving your shipment anywhere in the world. We move more than 14,000 truckloads every year, allowing you to save on freight costs by leveraging our buying power. Lower your process costs with a single invoice, which includes product and freight.
- **Technology Leadership** – Our website provides: Operator's Manuals, Part Numbers and Schematics Guides, SDS information, and Features & Specifications Guides, providing access to information 24/7. Our Extranet application allows you to receive quotes and place orders online. Our Intranet maintains a complete record of your purchase history to assist with ongoing support of your existing equipment and future purchasing decisions.

## Vision Statement

Marco is the world's premier provider of Abrasives, Blasting, Coating, Dust Collectors, Engineered Systems, Rental, Safety, Service, Repair, & Modernization, and Vacuums.

## Mission Statement

Marco provides strong leadership and innovation to the surface preparation and protective coatings industries. We dedicate our efforts to the continuous improvement of our products, services, processes, people, and most importantly, the quality of our customer's experience.

## Quality Statement

Marco is committed to providing superior quality in the design, manufacturing, distribution, rental, service, and repair of our products. Our ISO 9001:2008 certification extends throughout all operations in all locations. Continuous improvement of our processes and supply chain Integration comprise the core of our business strategy for delivering exceptional quality and value in all Marco products and services.

## Management Philosophy

We are a company dedicated to the success of every customer and associate. We discuss, debate, challenge, measure, and test our ideas. We will be boundless and limitless in our passion to improve. Through sound leadership and dedicated associates, we will ensure a long term, profitable future for Marco, our associates, customers, and suppliers.

# TABLE OF CONTENTS

<b>Company Profile</b> .....	<b>2</b>
<b>Table of Contents</b> .....	<b>3</b>
<b>Part Numbers</b> .....	<b>4-5</b>
<b>Part Numbers &amp; Schematics</b> .....	<b>6-19</b>
12-Volt DC Blastmaster® 120E Remote Control System .....	6-7
12-Volt DC 190 Electric Control Assembly .....	8
12-Volt DC 190 Electric Solenoid .....	9
120-Volt AC Blastmaster® 120E Remote Control System .....	10-11
12-Volt AC 190 Electric Control Assembly .....	12
12-Volt AC 190 Electric Solenoid .....	13
120-Volt AC to 12-Volt AC Power Converter .....	14-15
1/2" Inlet Valve .....	16-17
1/2" Diaphragm Outlet Valve .....	18
Blastmaster® 151E Remote Control Switch .....	19
<b>Optional Accessories</b> .....	<b>20-22</b>
<b>Maintenance Notes</b> .....	<b>23</b>

# PART NUMBERS

## 12-VOLT DC BLASTMASTER® 120E REMOTE CONTROL SYSTEM

Part Number	Power Source	Battery Clamp Kit	190 Electric Control Assembly	Electric Control Lines	1/2" Inlet Valve	1/2" Diaphragm Outlet Valve	Remote Control Switch	Watts Strainer
10103905	12-Volt DC	1015541	12-Volt DC	25 Ft.	10100534	10100676	1015100	10WS



# PART NUMBERS

## 120-VOLT AC BLASTMASTER® 120E REMOTE CONTROL SYSTEM

<b>Part Number</b>	<b>Power Source</b>	<b>120-Volt AC to 12-Volt AC Power Converter</b>	<b>190 Electric Control Assembly</b>	<b>Electric Control Line</b>	<b>1/2" Inlet Valve</b>	<b>1/2" Diaphragm Outlet Valve</b>	<b>Remote Control Switch</b>	<b>Watts Strainer</b>
10103906	120-Volt AC	1030020	12-Volt AC	25 Feet	10100534	10100676	1015100	10WS



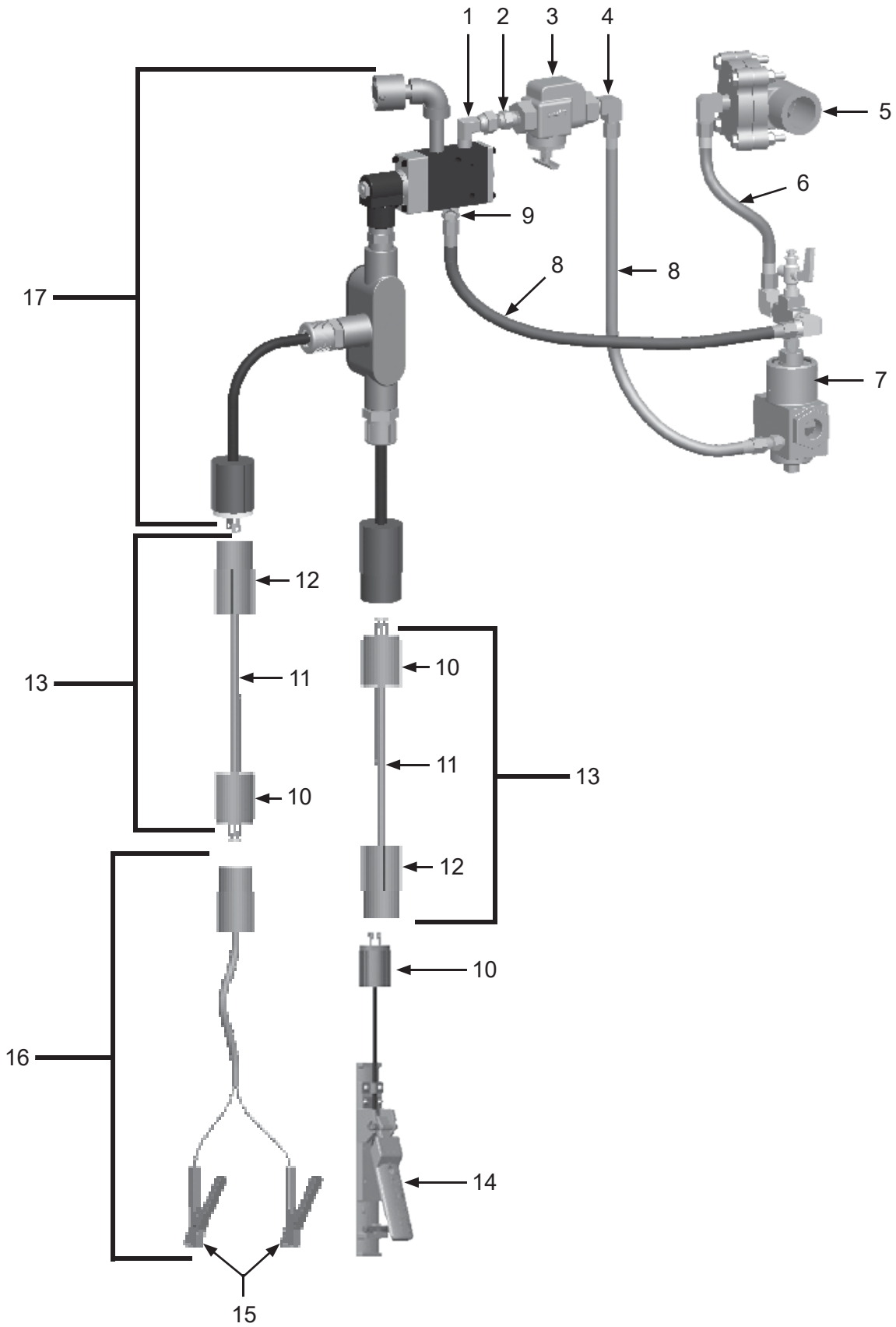
# PART NUMBERS & SCHEMATICS

## 12-Volt DC Blastmaster® 120E Remote Control System

Item #	Part #	Description
<b>Fig. 1</b>		
—	<b>10103905</b>	<b>12-Volt DC Blastmaster® 120E Remote Control System – Complete</b>
1	1012326	1/4" NPT 90 Swivel Fitting
2	1017019	1/4" x 1/4" Hex Nipple
3	10WS	Watts Strainer
4	1012051	1/4" NPT Brass Elbow
5	10100676	1/2" Diaphragm Outlet Valve (See Fig. 9)
6	10CL6	Pneumatic Control Line – 6 Inches
7	10100534	1/2" Inlet Valve (See Fig. 8)
8	10CL18	Pneumatic Control Line – 18 Inches (Two Required)
9	10101140	1/4" NPT x 7/16-20 Tapered Adapter
10	1015551	2-prong Twist-Lock Plug – Male
11	1015540	16/2 Power Cord – per foot
12	1015552	2-prong Twist-Lock Plug – Female
13	1015543	25 Feet of Electric Control Line with Male and Female Twist-Lock Plugs (Includes Item #'s: 9,10, and 11 (Quantity of 25 Feet))
14	1015100	Blastmaster® 151E Remote Control Switch – Complete (See Fig. 10)
15	1030718	Battery Clamps (pair)
16	1015541	Battery Clamp Kit (Includes Item #'s: 13,14 (Quantity of Two Feet), and 16)
17	1019001	12-Volt DC 190 Electric Control Assembly (See Fig. 2)
—	105M105	Features and Specifications Guide – Blastmaster® 120E Remote Control System
—	105M063	Features and Specifications Guide – Blastmaster® 151E Remote Control Switch
—	106M105	Part Numbers & Schematics Guide – Blastmaster® 120E Remote Control System
—	106M063	Part Numbers & Schematics Guide – Blastmaster® 151E Remote Control Switch
—	1090105	Operator's Manual – Blastmaster® 120E Remote Control System
—	1090063	Operator's Manual – Blastmaster® 151E Remote Control Switch
—	1091045	Hazard Identification Tag

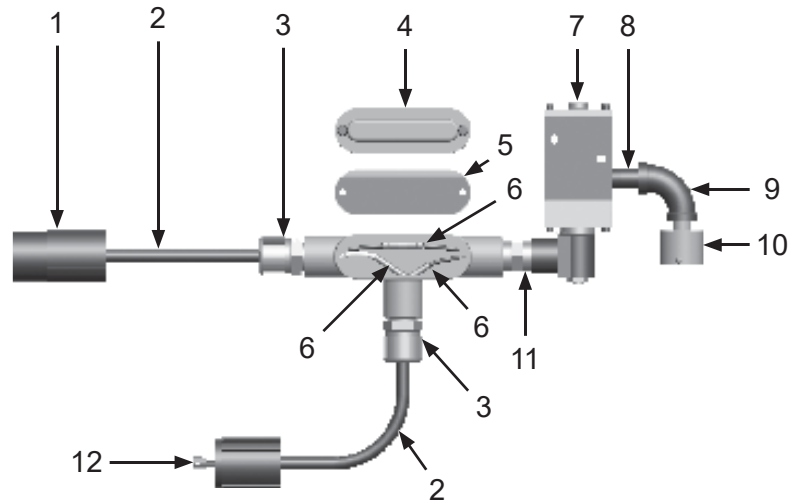
# PART NUMBERS & SCHEMATICS

Figure 1: 12-Volt DC Blastmaster® 120E Remote Control System



## PART NUMBERS & SCHEMATICS

Figure 2: 12-Volt DC 190 Electric Control Assembly



Item #	Part #	Description
--------	--------	-------------

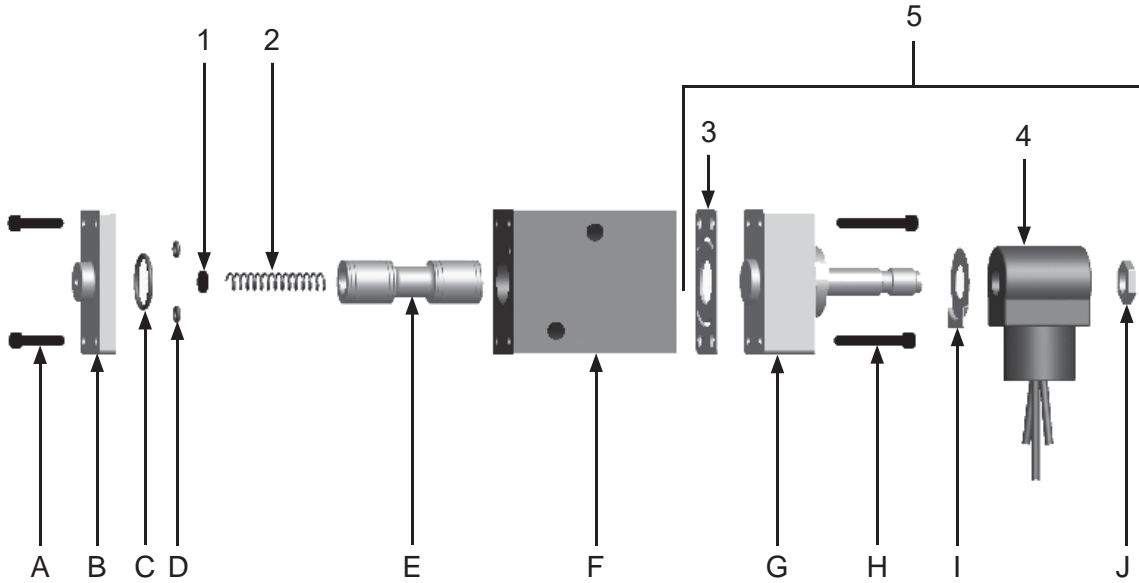
Fig. 2

—	1019001	12-Volt DC 190 Electric Control Assembly – Complete
1	1015552	2-prong Twist-Lock Plug – Female
2	1015540	16/2 Electric Cord – per foot
3	1019021	Cord Grip ( <i>Two Required</i> )
4	1019022	Conduit Box Cover
5	1019023	Conduit Box Cover Gasket
6	1030028	Butt Splicer
7	1019010	12-Volt DC Electric Solenoid – Complete ( <i>see Figure 3</i> )
8	1011217	1/4" x 2" Pipe Nipple
9	1011832	1/4" NPT 90° Pipe Nipple
10	10DE025	Dust Eliminator
11	20100677	1/2" x 1/2" NPT Hex Nipple
12	1015551	2-prong Twist-Lock Plug – Male
—	1091045	Hazard Identification Tag



## PART NUMBERS & SCHEMATICS

Figure 3: 12-Volt DC 190 Electric Solenoid



Item #	Part #	Description
--------	--------	-------------

Fig. 3

—	1019010	12-Volt DC 190 Electric Solenoid – Complete
---	---------	---

1	1019029	Felt Filter
---	---------	-------------

2	1019032	Spring
---	---------	--------

3	1019033	Gasket
---	---------	--------

4	1019039	12-Volt DC Coil
---	---------	-----------------

5	1019034	12-Volt DC Operator Assembly (Includes Items: #3, #4, G, H, I, and J)
---	---------	--

—	1019030	Electric Solenoid Repair Kit (Includes Items: #1, #2, #3, C, D, and E)
---	---------	---

\* Items A–J are not available individually

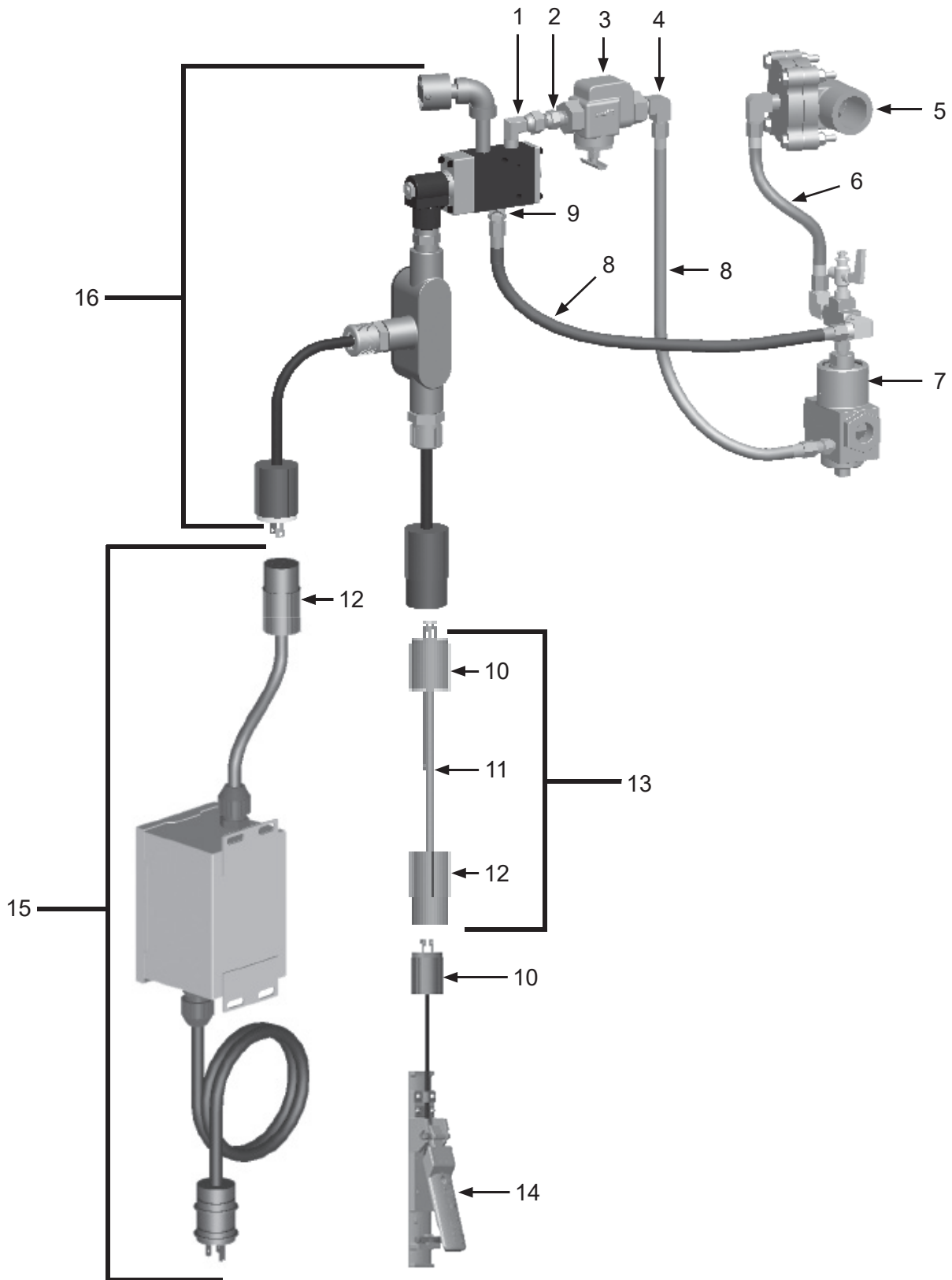
## PART NUMBERS & SCHEMATICS

### 120-Volt AC Blastmaster® 120E Remote Control System

Item #	Part #	Description
<b>Fig. 4</b>		
—	<b>10103906</b>	<b>120-Volt AC Blastmaster® 120E Remote Control System – Complete</b>
1	1012326	1/4" NPT 90 Swivel Fitting
2	1017019	1/4" x 1/4" Hex Nipple
3	10WS	Watts Strainer
4	1012051	1/4" NPT Brass Elbow
5	10100676	1/2" Diaphragm Outlet Valve <i>(See Fig. 9)</i>
6	10CL6	Pneumatic Control Line – 6 Inches
7	10100534	1/2" Inlet Valve <i>(See Fig. 8)</i>
8	10CL18	Pneumatic Control Line – 18 Inches <i>(Two Required)</i>
9	10101140	1/4" NPT x 7/16-20 Tapered Adapter
10	1015551	2-prong Twist-Lock Plug – Male
11	1015540	16/2 Power Cord – per foot
12	1015552	2-prong Twist-Lock Plug – Female
13	1015543	25 Feet of Electric Control Line with Male and Female Twist-Lock Plugs <i>(Includes Item #'s: 9, 10, and 11 (Quantity of 25 Feet))</i>
14	1015100	Blastmaster® 151E Remote Control Switch – Complete <i>(See Fig. 10)</i>
15	1030020	Marco 120-Volt AC to 12-Volt AC Power Converter <i>(See Fig. 7)</i>
16	1019002	12-Volt AC 190 Electric Control Assembly <i>(See Fig. 5)</i>
—	105M105	Features and Specifications Guide – Blastmaster® 120E Remote Control System
—	105M063	Features and Specifications Guide – Blastmaster® 151E Remote Control Switch
—	106M105	Part Numbers & Schematics Guide – Blastmaster® 120E Remote Control System
—	106M063	Part Numbers & Schematics Guide – Blastmaster® 151E Remote Control Switch
—	1090105	Operator's Manual – Blastmaster® 120E Remote Control System
—	1090063	Operator's Manual – Blastmaster® 151E Remote Control Switch
—	1091045	Hazard Identification Tag

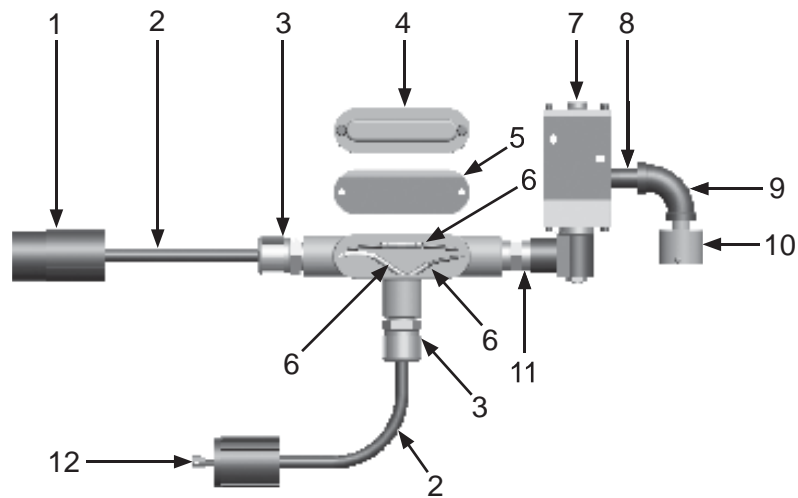
# PART NUMBERS & SCHEMATICS

Figure 4: 120-Volt AC Blastmaster® 120E Remote Control System



## PART NUMBERS & SCHEMATICS

Figure 5: 12-Volt AC 190 Electric Control Assembly



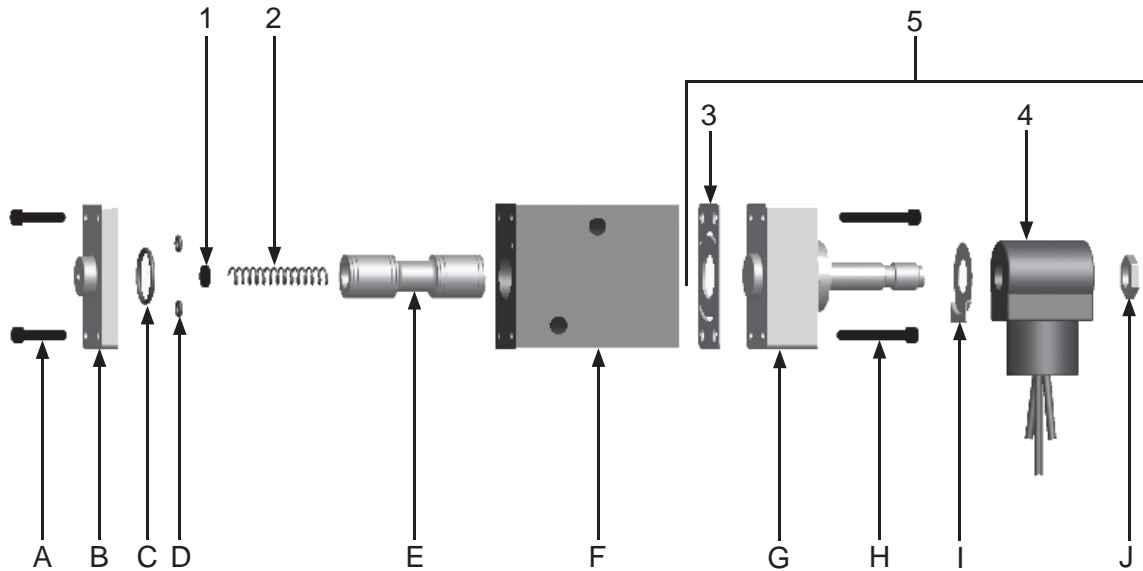
Item #	Part #	Description
--------	--------	-------------

Fig. 5

—	1019002	12-Volt AC 190 Electric Control Assembly – Complete
1	1015552	2-prong Twist-Lock Plug – Female
2	1015540	16/2 Power Cord – per foot
3	1019021	Cord Grip ( <i>Two Required</i> )
4	1019022	Conduit Box Cover
5	1019023	Conduit Box Cover Gasket
6	1030028	Butt Splicer
7	1019011	12-Volt AC Electric Solenoid – Complete ( <i>see Figure 6</i> )
8	1011217	1/4" x 2" Pipe Nipple
9	1011832	1/4" NPT 90° Pipe Nipple
10	10DE025	Dust Eliminator
11	20100677	1/2" x 1/2" NPT Hex Nipple
12	1015551	2-prong Twist-Lock Plug – Male
—	1091045	Hazard Identification Tag

## PART NUMBERS & SCHEMATICS

Figure 6: 12-Volt AC 190 Electric Solenoid



Item #	Part #	Description
--------	--------	-------------

Fig. 6

—	1019011	12-Volt AC 190 Electric Solenoid – Complete
---	---------	---

1	1019029	Felt Filter
---	---------	-------------

2	1019032	Spring
---	---------	--------

3	1019033	Gasket
---	---------	--------

4	1019040	12-Volt AC Coil
---	---------	-----------------

5	1019035	12-Volt AC Electric Operator Assembly (Includes Items: #3, #4, G, H, I, and J)
---	---------	---

—	1019030	12-Volt AC Electric Solenoid Repair Kit (Includes Items: #1, #2, #3, C, D, and E)
---	---------	--

\* Items A–J are not available individually

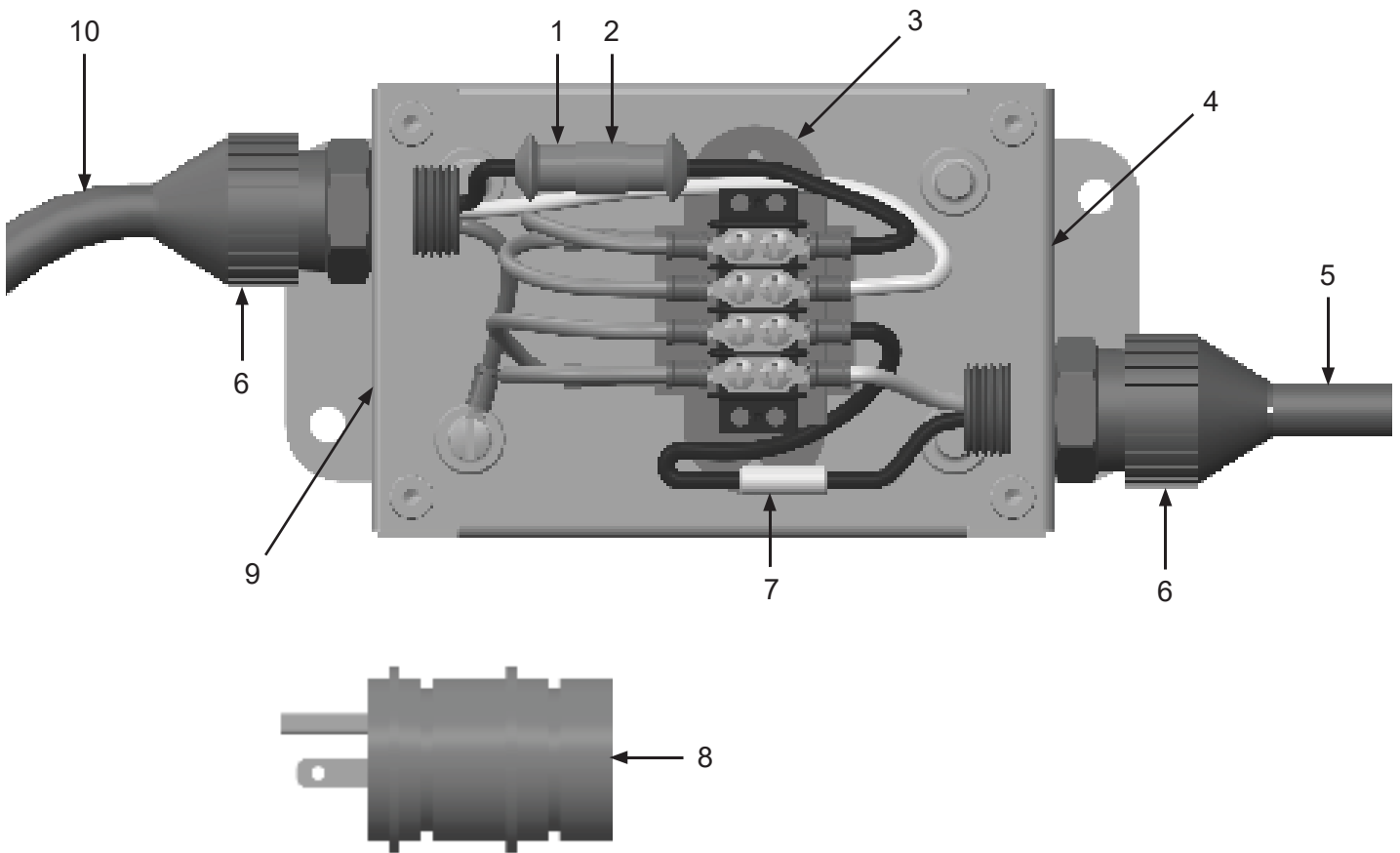
## PART NUMBERS & SCHEMATICS

### 120-Volt AC to 12-Volt AC Power Converter

Item #	Part #	Description
<b>Fig. 7</b>		
—	<b>1030020</b>	<b>Blastmaster® 120-Volt AC to 12-Volt AC Power Converter with 3 feet of 14/2 Electric Cord and Plug – Complete</b>
1	1030123	3 Amp Fuse
2	1030023	In-Line Fuse Holder
3	1030022	Transformer – Blastmaster 120-Volt AC to 12-Volt AC Power Converter
4	1091067	Power-Out Decal ( <i>Not Shown</i> )
5	1030013	14/2 SEOW Electric Cord ( <i>Per Foot</i> )
6	1030025	Strain Relief ( <i>Two Required</i> )
7	1030021	Resistor
8	1030026	3-prong, 120-Volt AC Plug – Male
9	1092014	Power-In Decal ( <i>Not Shown</i> )
10	1015550	14/3 SEOW Electric Cord ( <i>Per Foot</i> )
—	1091063	Hazard Identification Decal

# PART NUMBERS & SCHEMATICS

Figure 7: 120-Volt AC to 12-Volt AC Power Converter



## PART NUMBERS & SCHEMATICS

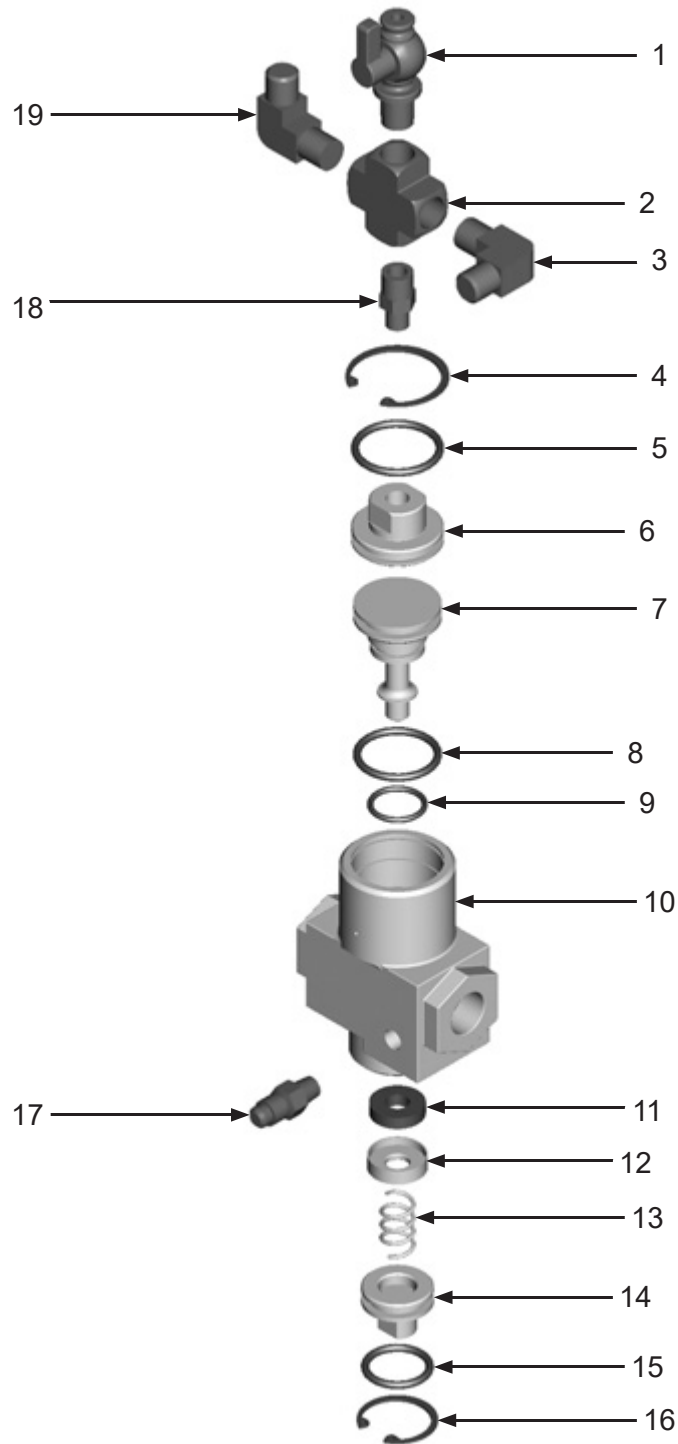
### 1/2" Inlet Valve

Item #	Part #	Description
<b>Fig. 8</b>		
—	<b>10100534</b>	<b>1/2" Inlet Valve – Complete</b>
1	1012101	1/4" Petcock
2	10101143	1/4" NPT Brass Cross
3	1012051	1/4" NPT x 7/16-20 Elbow <i>(Two Required)</i>
4	10100538	Top Snap Ring
5	10100545	Top Seal O-ring
6	10100537	Top Seal Retainer
7	10100541	Piston
8	10100548	Upper O-ring
9	10100547	Lower O-ring
10	10100535	Valve Body
11	10100543	Plug Washer
12	10100542	Valve Washer Cup
13	10100544	Spring
14	10100539	Bottom Seal Retainer
15	10100546	Bottom Seal O-ring
16	10100540	Bottom Snap Ring
17	1012103	1/8" NPT x 7/16-20 Fitting
18	10PVFIT	1/4" x 1/8" Hex Union
—	105M105	Features, Advantages, and Benefits Guide – Blastmaster® 120E Remote Control System
—	106M105	Part Numbers and Schematics Guide – Blastmaster® 120E Remote Control System
—	1090105	Operator's Manual – Blastmaster® 120E Remote Control System
—	1091045	Hazard Identification Tag



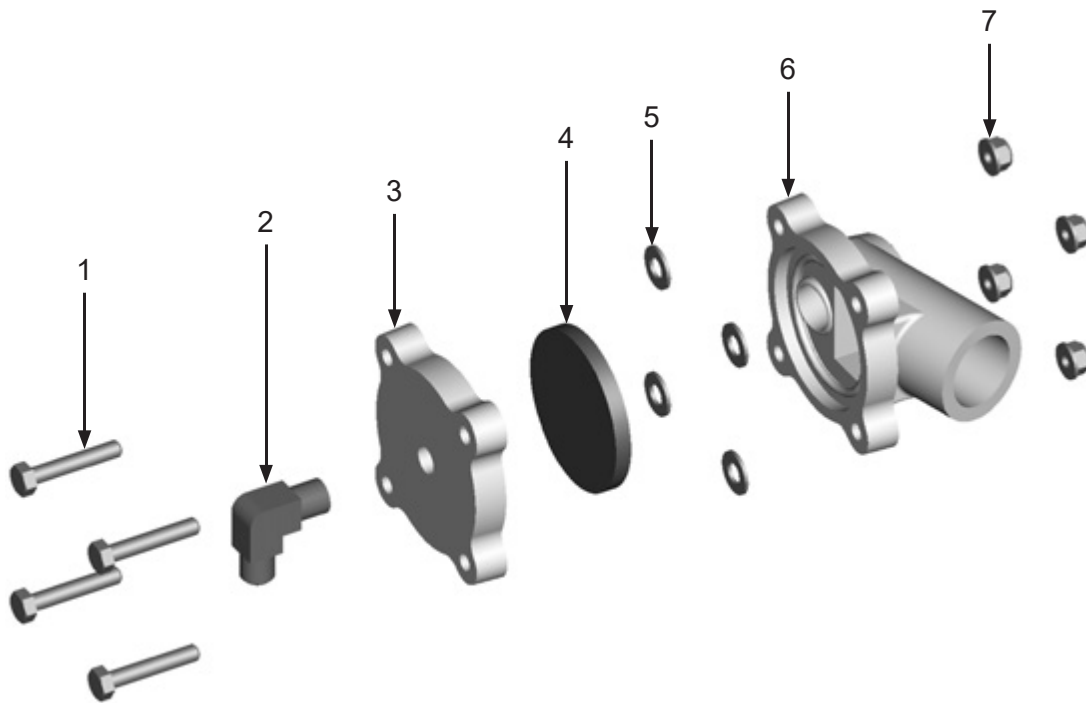
# PART NUMBERS & SCHEMATICS

Figure 8: 1/2" Inlet Valve



## PART NUMBERS & SCHEMATICS

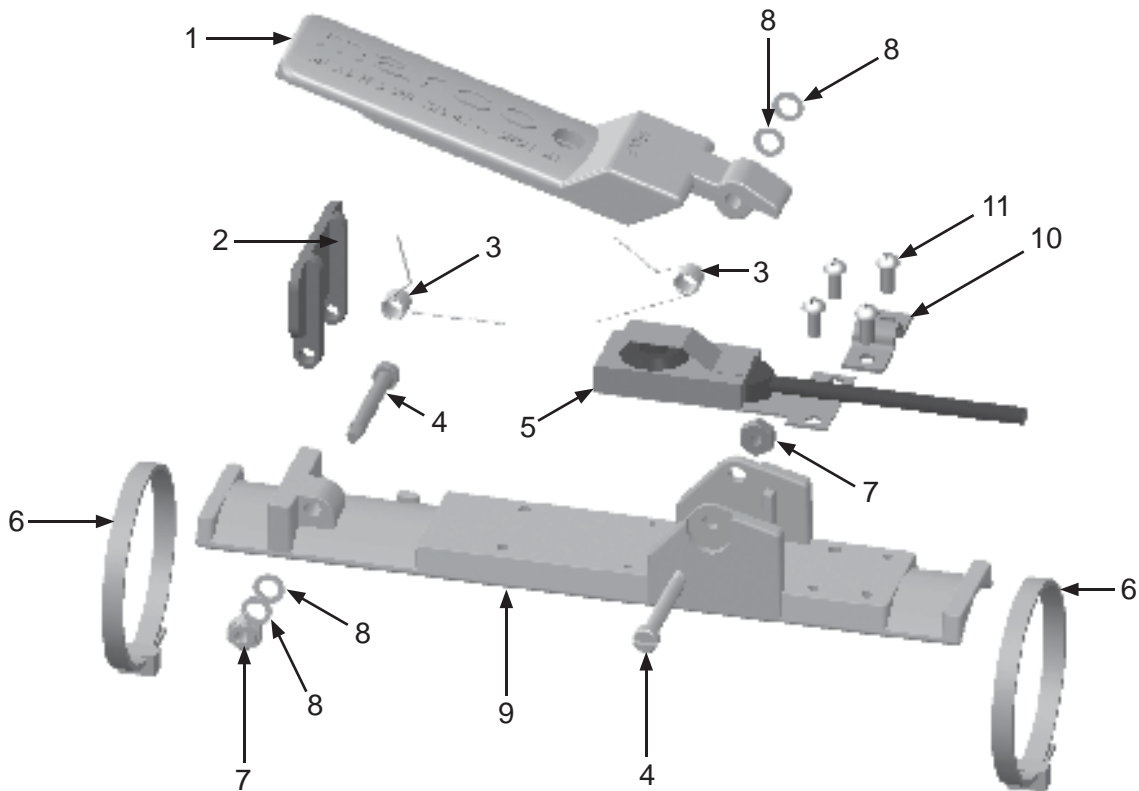
Figure 9: 1/2" Diaphragm Outlet Valve



Item #	Part #	Description
<b>Fig. 9</b>		
—	<b>10100676</b>	<b>1/2" Diaphragm Outlet Valve – Complete</b>
1	1019044	1/4-20 x 1-1/2" Bolt ( <i>Four Required</i> )
2	1012051	1/4" NPT x 7/16-20 Elbow
3	10100677	Valve Cap
4	10100681	Diaphragm
5	1014017	1/4" Flat Washer ( <i>Four Required</i> )
6	10100679	Valve Body
7	1012323	1/4-20 Nylon Lock Nut ( <i>Four Required</i> )
—	105M105	Features, Advantages, and Benefits Guide – Blastmaster® 120E Remote Control System
—	106M105	Part Numbers and Schematics Guide – Blastmaster® 120E Remote Control System
—	1090105	Operator's Manual – Blastmaster® 120E Remote Control System
—	1091045	Hazard Identification Tag

## PART NUMBERS & SCHEMATICS

Figure 10: Blastmaster® 151E Remote Control Switch



Item #	Part #	Description
--------	--------	-------------

Fig. 10

—	<b>1015100</b>	<b>Blastmaster® 151E Remote Control Switch – Complete</b>
1	1015001	Handle
2	1015003	Safety Tab
3	1015005	Spring ( <i>Two Required</i> )
4	1015008	Shoulder Screw ( <i>Two Required</i> )
5	10104268	Switch with Cord
6	1015015	Nylon Zip Tie - White ( <i>Two Required</i> )
7	1015006	8-32 UNC-2B Nylon Insert Lock Nut ( <i>Two Required</i> )
8	1015007	3/8" O.D. x 7/16" I.D. Washer ( <i>Four Required</i> )
9	1015002	Body
10	1015101	Electric Cord Clamp
11	1015014	8-32 x 3/8" Phillips Head Screw ( <i>Four Required</i> )
—	105M063	Features and Specifications Guide – Blastmaster® 151E Remote Control Switch
—	106M063	Part Numbers and Schematics Guide – Blastmaster® 151E Remote Control Switch
—	1090063	Operator's Manual — Blastmaster® 151E Remote Control Switch
—	1091045	Hazard Identification Tag

## OPTIONAL ACCESSORIES











**Part  
Numbers**






### ELECTRIC CONTROL LINE

	Gauge	# of Wires	Type	Length
<b>1015540</b>	16	2		Per Foot
<b>1015701</b>	16	3		Per Foot
<b>1030013</b>	14	2	SEOOW	Per Foot
<b>1015550</b>	14	3	SEOOW	Per Foot
<b>1015554</b>	14	4	SEOOW	Per Foot
<b>1015570</b>	12	2	SOOW	Per Foot
<b>1015571</b>	12	3	SJEOOW	Per Foot
<b>1015581</b>	10	3	SEOOW	Per Foot
<b>1015580</b>	10	4	SEOOW	Per Foot
<b>1015591</b>	8	3	SEOOW	Per Foot
<b>1015590</b>	8	4	SEOOW	Per Foot
<b>1015595</b>	6	3	SEOOW	Per Foot

## OPTIONAL ACCESSORIES

		ELECTRIC CONTROL LINE WITH PLUGS						
		Gauge	# of Wires	2-Prong Male Twist-Lock Plug	2-Prong Female Twist-Lock Plug	3-Prong Male Twist-Lock Plug	3-Prong Female Twist-Lock Plug	Length
<b>Part Numbers</b>								
	1015543	16	2	1015551	1015552	—	—	25 Feet
	1015542	16	2	1015551	1015552	—	—	50 Feet
	1015546	16	2	—	—	1015555	1015556	25 Feet
	1015545	16	2	—	—	1015555	1015556	50 Feet
	1015547	16	2	—	—	1015555	1015556	100 Feet
	1015748	16	3	—	—	1015555	1015556	13 Feet
	1015745	16	3	—	—	1015555	1015556	50 Feet
	1015747	16	3	—	—	1015555	1015556	110 Feet

## OPTIONAL ACCESSORIES

		<b>ELECTRIC CONTROL LINE PLUGS</b>	
<b>Part Numbers</b>		<b>Prong Style</b>	<b>Plug Style</b>
	<b>1015551</b>	2-Prong Male	Twist-Lock
	<b>1015552</b>	2-Prong Female	Twist-Lock
	<b>1015555</b>	3-Prong Male	Twist-Lock
	<b>1015556</b>	3-Prong Female	Twist-Lock
	<b>1030026</b>	3-Prong Male	Standard



## GLOBAL HEADQUARTERS

- 3425 East Locust Street  
Davenport, IA 52803

ph: 800.BLAST.IT (800.252.7848)  
ph: 563.324.2519  
fax: 563.324.6258

## REGIONAL BRANCH OFFICES

- **Iowa**  
Davenport
- **Louisiana**  
Gonzales  
Harvey  
Lafayette
- **Ohio**  
Youngstown
- **Texas**  
Beaumont  
Corpus Christi  
Deer Park



ABRASIVES  
BLASTING  
COATING  
DUST COLLECTORS  
ENGINEERED SYSTEMS  
RENTAL  
SAFETY  
SERVICE, REPAIR, & MODERNIZATION  
VACUUMS

## 40+ NATIONWIDE SHIPPING LOCATIONS



★ Marco Regional Branch Offices and Shipping Locations    ● Direct Shipping Locations

## CONTACT MARCO

**800.BLAST.IT**  
**(800.252.7848)**  
**563.324.2519**  
**FAX: 563.324.6258**

**WWW.MARCO.US**  
**SALES@MARCO.US**