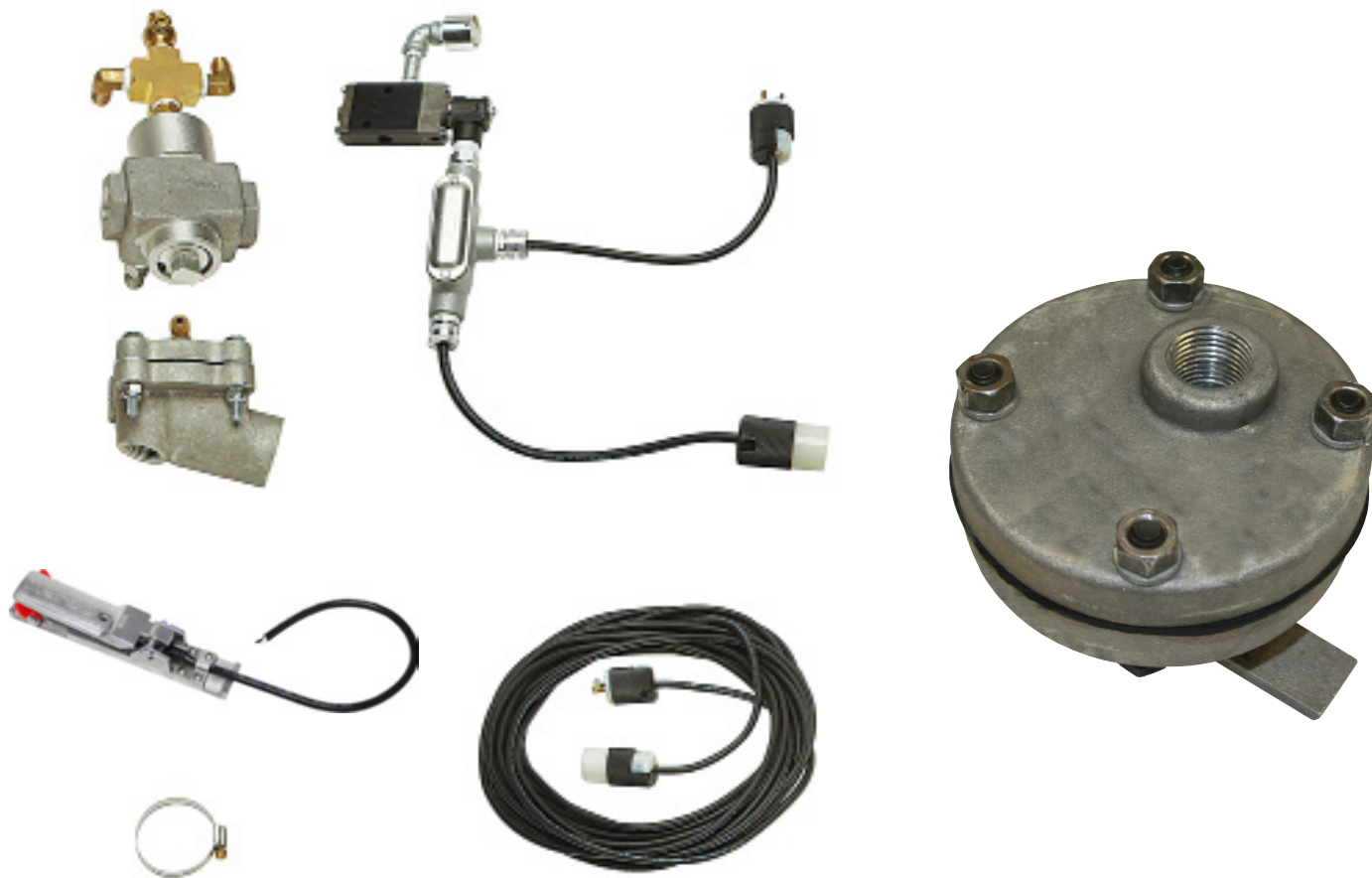




BLASTMASTER® 120E REMOTE CONTROL SYSTEM CONVERSION KITS



**BUILT MARCO
TOUGH**
MARCO MANUFACTURED

PART NUMBERS AND SCHEMATIC GUIDE

Company Profile

Since 1944, Marco has developed a strong tradition of providing innovative and reliable products and services to the surface preparation and protective coatings industries. We are the world's premier provider of Abrasives, Blasting Equipment, Coating Equipment, Engineered Systems, Rental Equipment, Safety Equipment, Service, and Repair.

Through innovative designs and a total commitment to quality, Marco manufactures products that increase production rates, create a safer workplace, and reduce maintenance costs. Marco's industry experience, manufacturing capabilities, legendary customer service, product availability, logistics services, and technology leadership is your assurance that we deliver high quality products and services, providing the best value to you, our customer.

The Marco Difference

- **Industry Experience** – With Marco on your team, you have access to expertise which can only come from decades of industry leadership. We have organized our engineering department, production specialists, customer operations, and safety support into a "Center of Competence." As a Marco customer, you have access to hundreds of years of cumulative experience related to your operations.
- **Manufacturing Excellence** – Marco is a U.S. based, ISO 9001:2008 certified manufacturer of equipment for the Surface Preparation and Protective Coatings industries. Marco's engineers benchmark the industry to ensure that we design and manufacture superior products that set the "Gold Standard" for performance, safety, and quality.
- **Legendary Customer Service** – Marco's legendary customer service team is staffed by friendly, highly-trained individuals who are focused on providing the highest level of product support, order accuracy, and customer satisfaction.
- **Product Availability** – We stock over 10,000 SKU's and have over 45 shipping locations to serve North American and International markets for all major brands of blasting and painting equipment. As the largest provider of surface preparation and protective coatings equipment in the world, our inventory levels and product availability are unmatched.
- **Logistics Services** – Marco's in-house logistics team is dedicated to moving your shipment anywhere in the world. We move over 14,000 truckloads every year, allowing you to save on freight costs by leveraging our buying power. Lower your process costs with a single invoice, which includes product and freight.
- **Technology Leadership** – Our website provides: Operator's Manuals, Part Numbers and Schematics Guides, MSDS information, and Features, Advantages, and Benefits Guides, providing access to information 24/7. Our Extranet application allows you to receive quotes and place orders online. Our Intranet maintains a complete record of your purchase history to assist with ongoing support of your existing equipment and future purchasing decisions.

Vision Statement

Marco is the world's premier provider of Abrasives, Blasting Equipment, Coating Equipment, Engineered Systems, Rental Equipment, Safety Equipment, Service, and Repair.

Mission Statement

Marco provides strong leadership and innovation to the surface preparation and protective coatings industries. We dedicate our efforts to the continuous improvement of our products, services, processes, people, and most importantly, the quality of our customer's experience.

Quality Policy

Marco is committed to providing superior quality in the design, manufacturing, distribution, rental, service, and repair of our products. Our ISO 9001:2008 certification extends throughout all operations in all locations. Continuous improvement of our processes and supply chain Integration comprise the core of our business strategy for delivering exceptional quality and value in all Marco products and services.

Management Philosophy

We are a company dedicated to the success of every customer and associate. We discuss, debate, challenge, measure, and test our ideas. We will be boundless and limitless in our passion to improve. Through sound leadership and dedicated associates, we will ensure a long term, profitable future for Marco, our associates, customers, and suppliers.

TABLE OF CONTENTS

| | |
|--|--------------|
| Company Profile | 2 |
| Table of Contents | 3 |
| Pneumatic-to-Electric | |
| Conversion Kits | 4-11 |
| Pneumatic to 12-Volt DC | 4-5 |
| Part Numbers and Schematics | 6-7 |
| Pneumatic to 120-Volt AC | 8-9 |
| Part Numbers and Schematics | 10-11 |
| Complete Remote Control System | |
| Conversion Kits | 12-19 |
| 1.0 Cu. Ft. Abrasive Blasting Pots | |
| Part Numbers – 12-Volt DC | 12-13 |
| Single Outlet | 14-15 |
| Part Numbers – 120-Volt AC | 16-17 |
| Single Outlet | 18-19 |
| Optional Accessories | 20 |
| Electric Cord | 20 |
| Electric Control Line with Plugs | 20 |
| Electric Control Line Plugs | 20 |
| Literature References | 21 |
| Maintenance Notes | 22-23 |

PART NUMBERS AND SCHEMATICS GUIDE

PNEUMATIC TO 12-VOLT DC ELECTRIC CONVERSION KIT

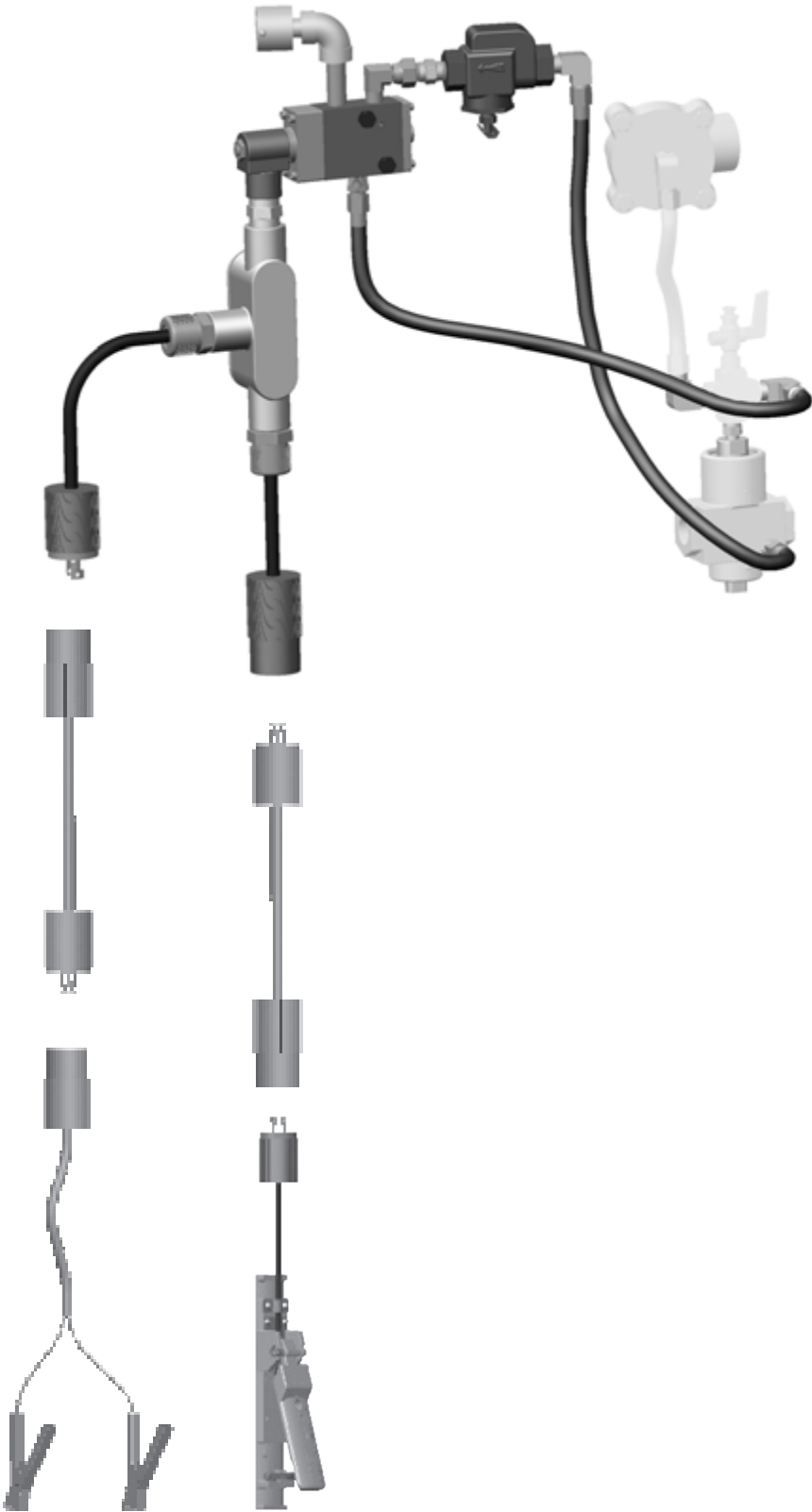
| Part Numbers | Marco® 190 12-Volt DC Electric Control Assembly | Blastmaster® 151E Remote Control Switch | Power Cord (Includes Connectors) | Battery Clamps |
|---------------------|--|--|---|-----------------------|
| 10106430 | X | X | 25 Ft. | X |

For converting Pneumatic to 12-Volt DC Electric Conversion Kit

Includes: Marco® 190 12-Volt DC Electric Control Assembly, Blastmaster® 151E Remote Control Switch, Electric Control Line, Battery Clamp, and various pipe fittings

Note that due to the wide variety of blast pots you may need to purchase additional fittings, bushing, etc.

PART NUMBERS AND SCHEMATICS GUIDE



PART NUMBERS AND SCHEMATICS GUIDE

Pneumatic to 12-Volt DC Electric Conversion Kit

| Item # | Part # | Description |
|--------|--------|-------------|
|--------|--------|-------------|

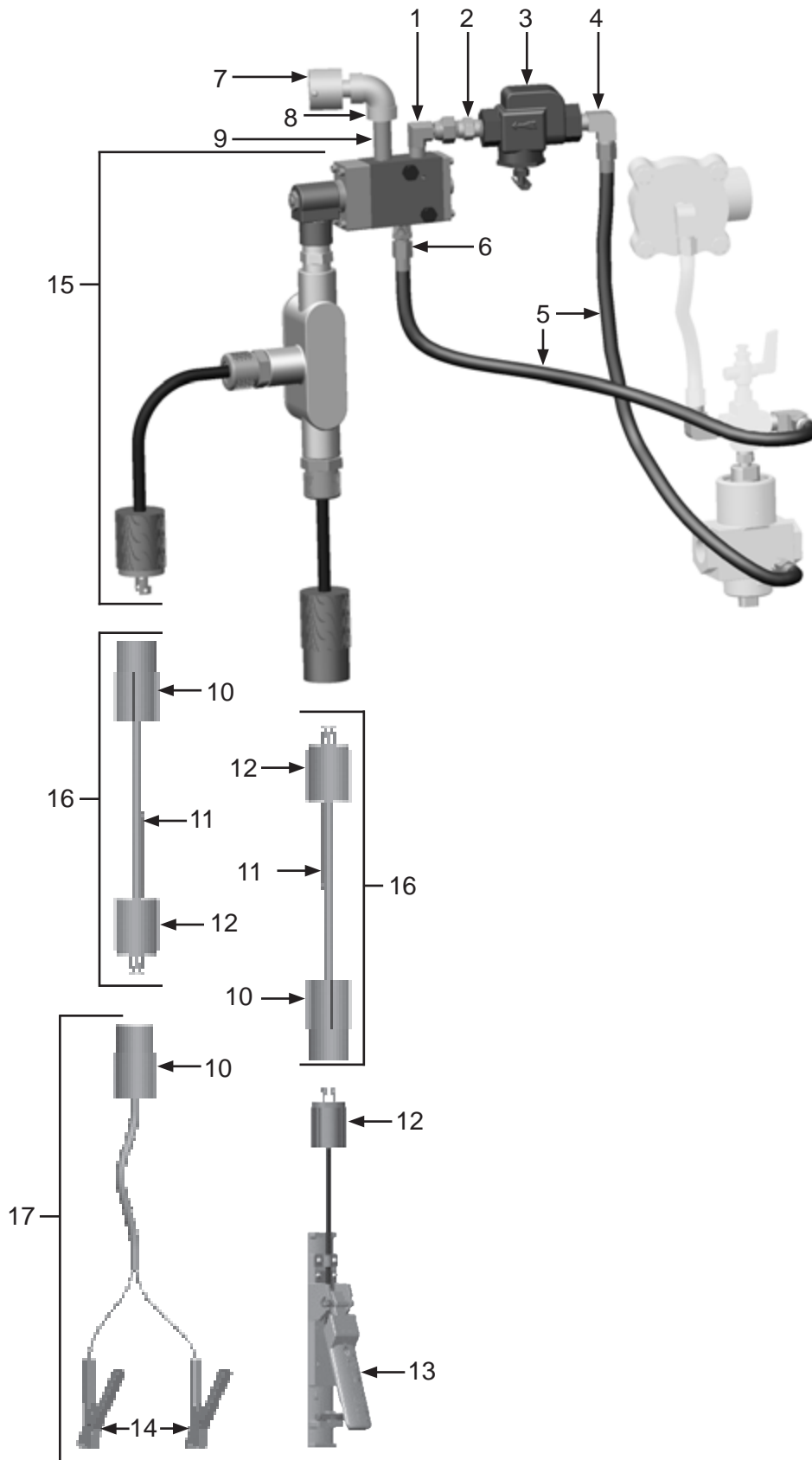
Fig. 1

| | | |
|----|-----------------|--|
| — | 10106430 | Pneumatic to 12-Volt DC Electric Conversion Kit |
| 1 | 1012326 | 1/4" NPT 90° Swivel Fitting |
| 2 | 1017019 | 1/4" x 1/4" Hex Nipple |
| 3 | 10WS | Watts Strainer |
| 4 | 1012051 | 1/4" NPT Brass Elbow |
| 5 | 10CL18 | Pneumatic Control Line – 18" <i>(Two Required)</i> |
| 6 | 10101140 | 1/4" NPT x 7/16-20 Tapered Adapter |
| 7 | 10DE025 | 1/4" NPT Dust Eliminator |
| 8 | 1011832 | 1/4" NPT 90° Elbow |
| 9 | 1011217 | 1/4" x 2" Pipe Nipple |
| 10 | 1015552 | 2-Prong Twist-Lock Plug – Female |
| 11 | 1015540 | 16/2 Power Cord – Per Foot |
| 12 | 1015551 | 2-Prong Twist-Lock Plug – Male |
| 13 | 1015100 | Blastmaster® 151E Remote Control Switch – Complete |
| 14 | 1030718 | Battery Clamps <i>(Pair)</i> |
| 15 | 1019001 | Marco® 190 12-Volt DC Electric Control Assembly – Complete |
| 16 | 1015543 | 25' of 16/2 Power Cord with 2-Prong Twist-Lock Plugs Installed <i>(Includes Item #'s: 10, 11, and 12) (Quantity of Two)</i> |
| 17 | 1015541 | Battery Clamp Kit <i>(Includes Item #'s: 10 and 14)</i> |

See page 21 for product literature

PART NUMBERS AND SCHEMATICS GUIDE

Figure 1: Pneumatic to 12-Volt DC Electric Conversion Kit



PART NUMBERS AND SCHEMATICS GUIDE

PNEUMATIC TO 120-VOLT AC ELECTRIC CONVERSION KIT

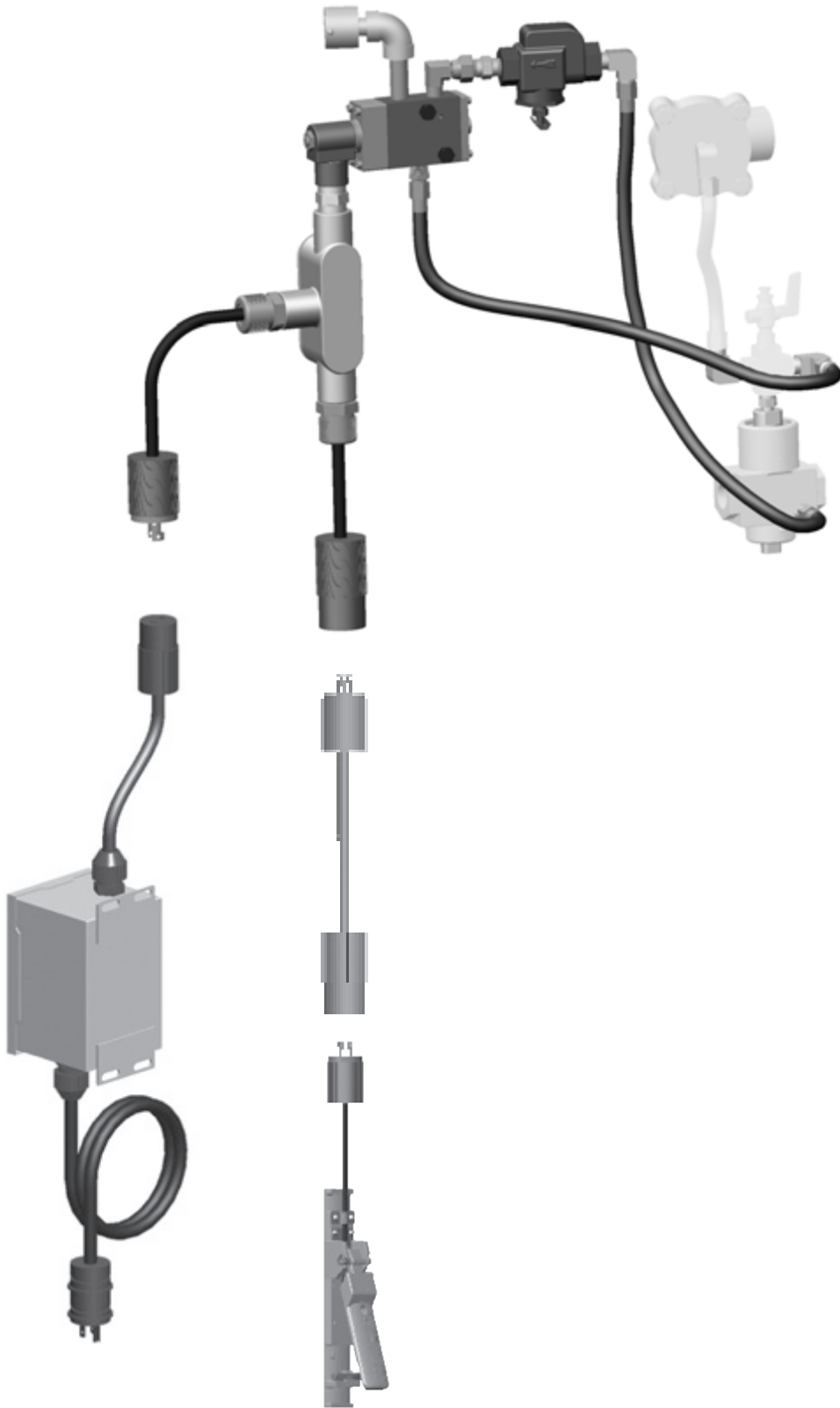
| Part Numbers | Marco® 190 12-Volt AC Electric Control Assembly | Blastmaster® 151E Remote Control Switch | Blastmaster® 120-Volt AC to 12-Volt AC Power Converter | Power Cord (Includes Connectors) |
|---------------------|--|--|---|---|
| 10106431 | X | X | X | 25 Ft. |

For converting Pneumatic to 120-Volt AC Electric Conversion Kit

Includes: Marco® 190 12-Volt AC Electric Control Assembly, Blastmaster® 151E Remote Control Switch, Electric Control Line, Power Converter, and various pipe fittings

Note that due to the wide variety of blast pots you may need to purchase additional fittings, bushing, etc.

PART NUMBERS AND SCHEMATICS GUIDE



PART NUMBERS AND SCHEMATICS GUIDE

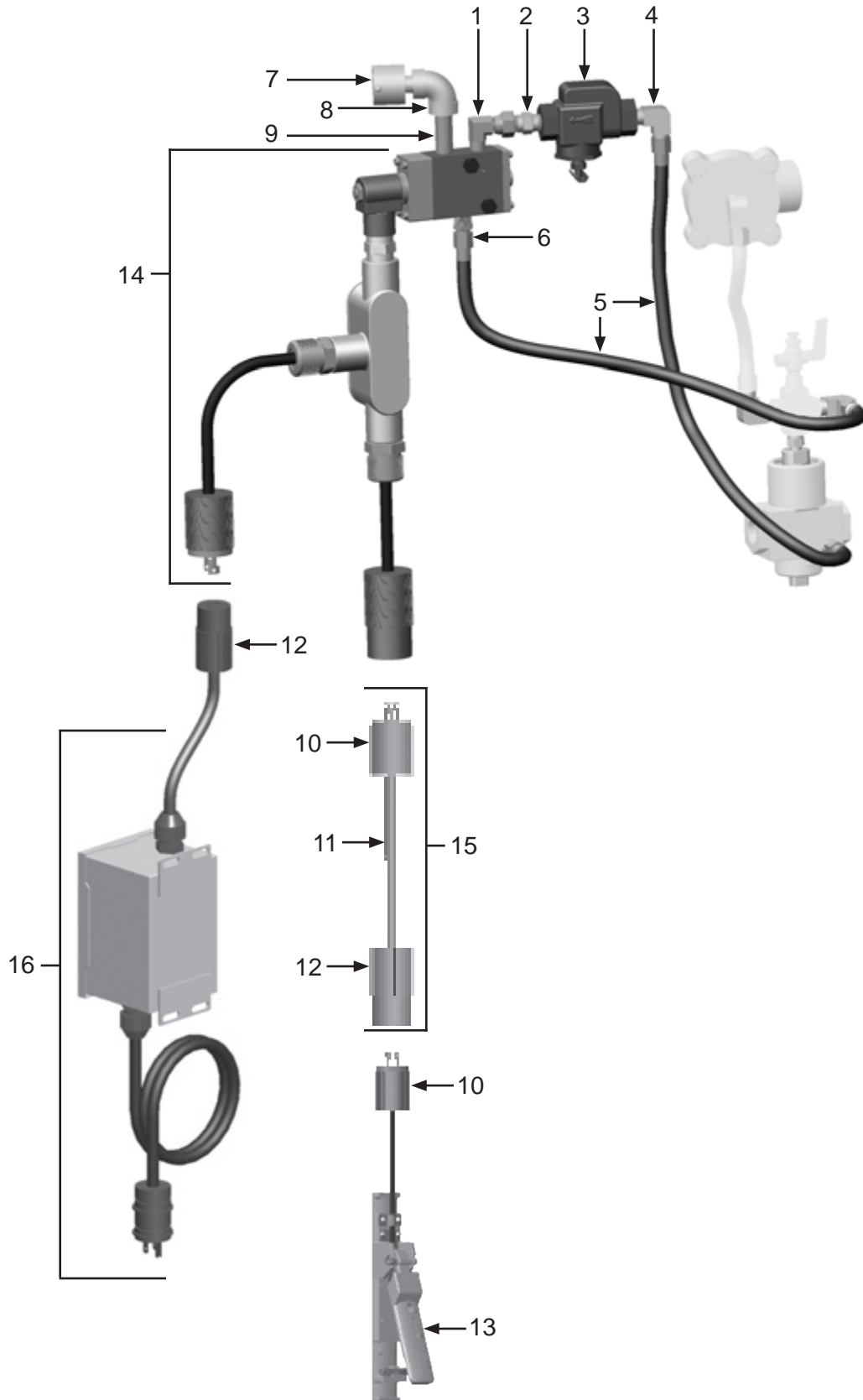
Pneumatic to 120-Volt AC Electric Conversion Kit

| Item # | Part # | Description |
|---------------|-----------------|--|
| Fig. 2 | | |
| — | 10106431 | Pneumatic to 120-Volt AC Electric Conversion Kit |
| 1 | 1012326 | 1/4" NPT 90° Swivel Fitting |
| 2 | 1017019 | 1/4" x 1/4" Hex Nipple |
| 3 | 10WS | Watts Strainer |
| 4 | 1012051 | 1/4" NPT Brass Elbow |
| 5 | 10CL18 | Pneumatic Control Line – 18" <i>(Two Required)</i> |
| 6 | 10101140 | 1/4" NPT x 7/16-20 Tapered Adapter |
| 7 | 10DE025 | 1/4" NPT Dust Eliminator |
| 8 | 1011832 | 1/4" NPT 90° Elbow |
| 9 | 1011217 | 1/4" x 2" Pipe Nipple |
| 10 | 1015552 | 2-Prong Twist-Lock Plug – Female |
| 11 | 1015540 | 16/2 Power Cord – Per Foot |
| 12 | 1015551 | 2-Prong Twist-Lock Plug – Male |
| 13 | 1015100 | Blastmaster® 151E Remote Control Switch – Complete |
| 14 | 1019002 | Marco® 190 12-Volt AC Electric Control Assembly – Complete |
| 15 | 1015543 | 25' of 16/2 Power Cord with 2-Prong Twist-Lock Plugs Installed <i>(Includes Item #'s: 10, 11, and 12)</i> |
| 16 | 1030020 | Blastmaster® 120-Volt AC to 12-Volt AC Power Converter |

See page 21 for product literature

PART NUMBERS AND SCHEMATICS GUIDE

Figure 2: Pneumatic to 120-Volt AC Electric Conversion Kit



PART NUMBERS AND SCHEMATICS GUIDE

COMPLETE 12-VOLT DC ELECTRIC CONVERSION KIT – 1.0 CU. FT. ABRASIVE BLASTING POT

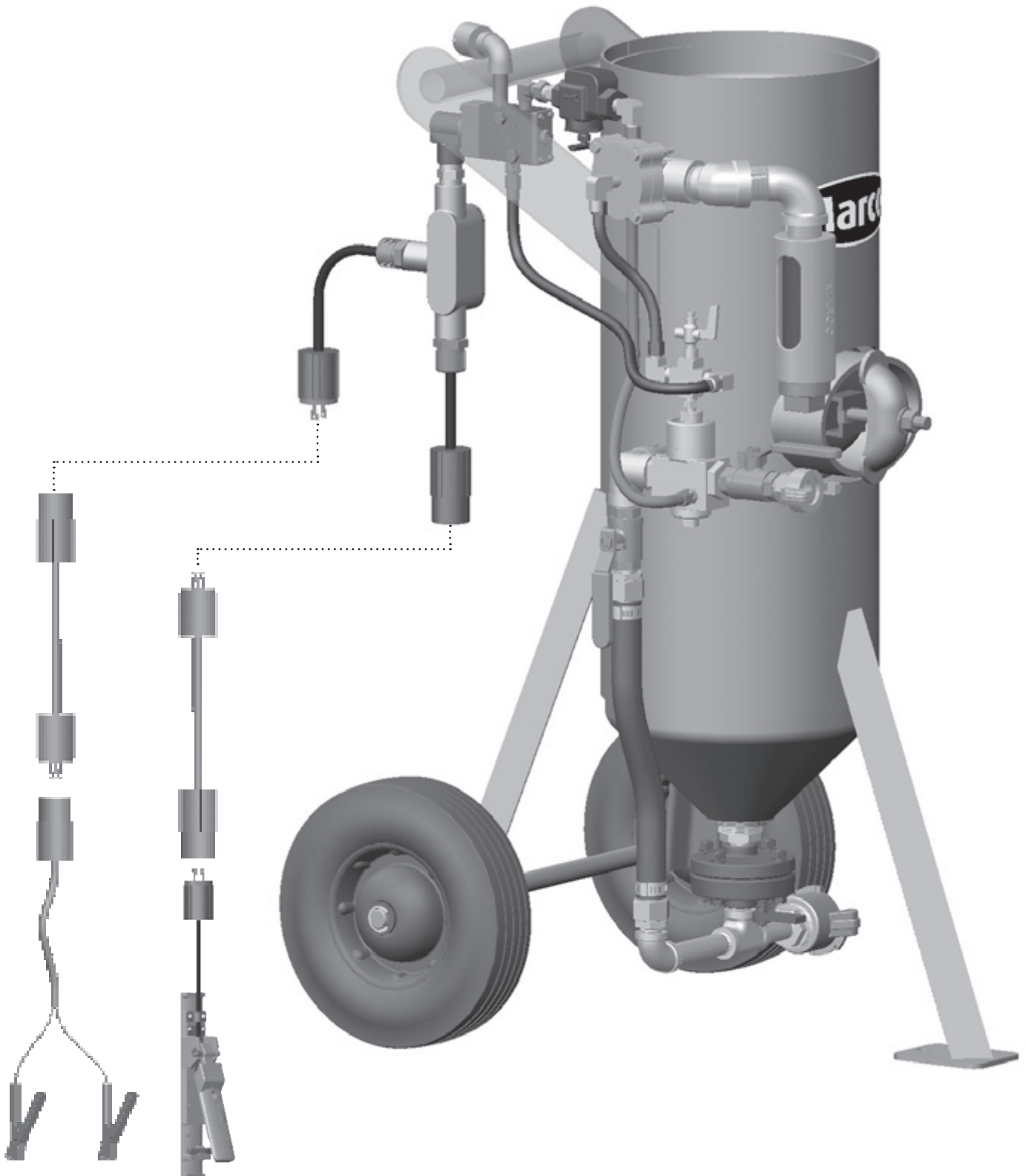
| Part Numbers | Marco® 190 12-Volt DC Electric Control Assembly | Blastmaster® Regulator Jr. Abrasive Metering Valve | Blastmaster® 151E Remote Control Switch | Power Cord (Includes Connectors) | Battery Clamps | Abrasive Blasting Pot Muffler |
|---------------------|--|---|--|---|-----------------------|--------------------------------------|
| 10106164 | X | X | X | 25 Ft. | X | X |

For converting bare pot to electric remote control system

Includes: Marco® 190 12-Volt DC Electric Control Assembly, Blastmaster® Regulator Jr. Abrasive Metering Valve, Blastmaster® 151E Remote Control Switch, Electric Control Line, Battery Clamp, Inlet Valve, Outlet Valve, and various pipe fittings

Note that due to the wide variety of blast pots you may need to purchase additional fittings, bushing, etc.

PART NUMBERS AND SCHEMATICS GUIDE



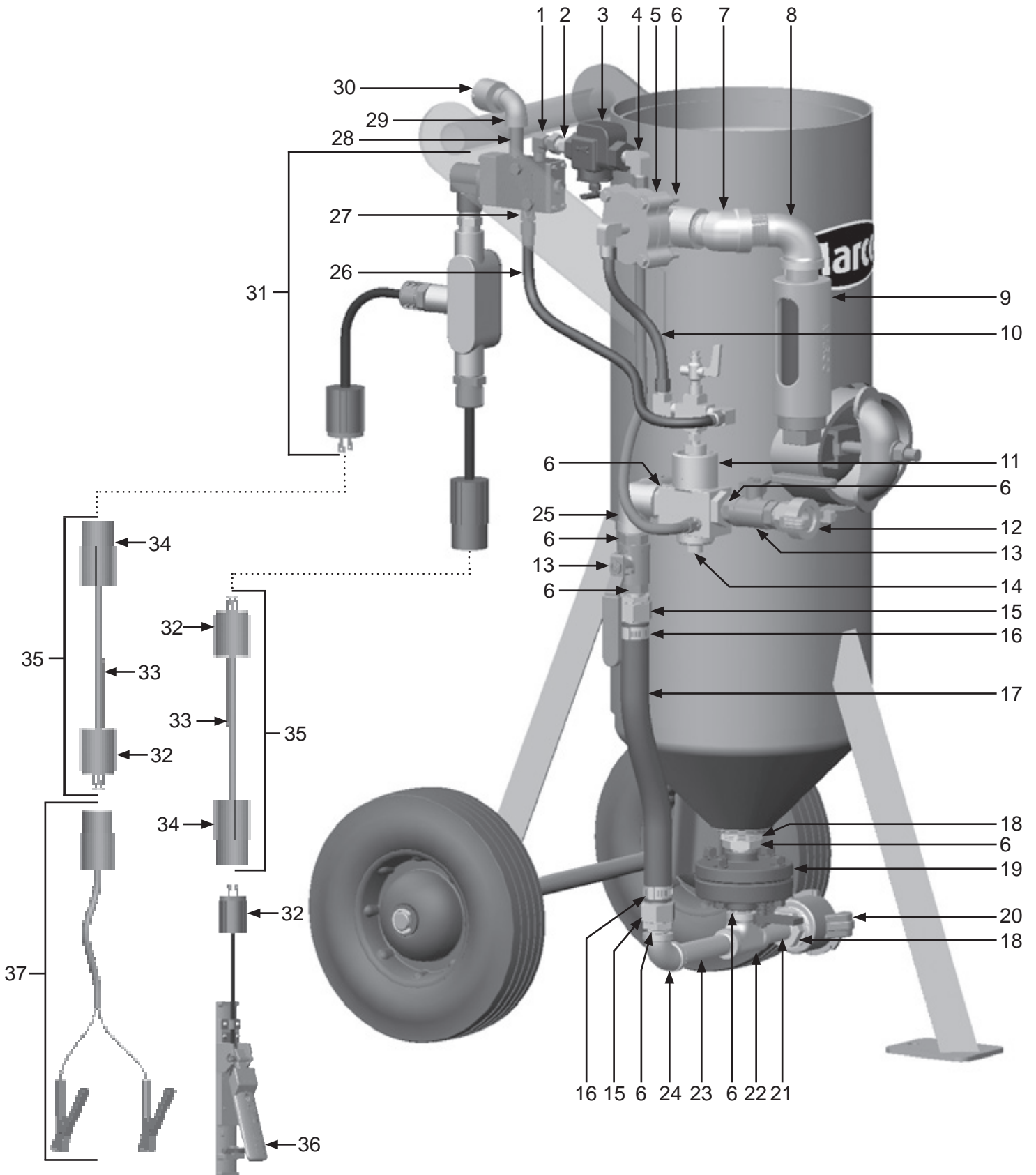
PART NUMBERS AND SCHEMATICS GUIDE

Complete 12-Volt DC Electric Conversion Kit – 1.0 Cu. Ft. Abrasive Blasting Pot

| Item # | Part # | Description | Item # | Part # | Description |
|---------------|-----------------|--|---|---------|--|
| Fig. 3 | | | 35 | 1015543 | 25' of 16/2 Power Cord with 2-Prong Twist-Lock Plugs Installed <i>(Includes Item #'s: 32, 33, and 34) (Quantity of Two)</i> |
| — | 10106164 | Complete 12-Volt DC Electric Conversion Kit – 1.0 Cu. Ft. Abrasive Blasting Pot | 36 | 1015100 | Blastmaster® 151E Remote Control Switch |
| 1 | 1012326 | 1/4" NPT 90° Swivel Fitting | 37 | 1015541 | Battery Clamp Kit with 2-Prong Twist-Lock Plug Installed |
| 2 | 1017019 | 1/4" x 1/4" Hex Nipple | <i>See page 21 for product literature</i> | | |
| 3 | 10WS | Watts Strainer | | | |
| 4 | 1012051 | 1/4" NPT Brass Elbow | | | |
| 5 | 10100676 | 1/2" Diaphragm Outlet Valve | | | |
| 6 | 10L803035 | 1/2" NPT Close Pipe Nipple <i>(Eight Required)</i> | | | |
| 7 | 1011838 | 1" NPT 45° Street Elbow | | | |
| 8 | 1011801 | 1" NPT 90° Street Elbow | | | |
| 9 | 1011100 | Abrasive Blasting Pot Muffler | | | |
| 10 | 10CL6 | 3/8" x 6" Control Line | | | |
| 11 | 10100534 | 1/2" Inlet Valve | | | |
| 12 | 10ME122 | 1/2" NPT 2-Lug Coupling (M) | | | |
| 13 | 10L363 | 1/2" NPT Full Port Brass Ball Valve <i>(Two Required)</i> | | | |
| 14 | 10100535 | 1/2" Inlet Valve Machined Casting | | | |
| 15 | 10SFE34 | Swivel Air Hose End – 3/4" NPT <i>(Two Required)</i> | | | |
| 16 | 10L800034 | Screw Type Hose Clamp <i>(Two Required)</i> | | | |
| 17 | 10AH034 | 3/4" I.D. Air Hose – Four Feet | | | |
| 18 | 1011820 | 1-1/4" x 1/2" NPT Bushing <i>(Two Required)</i> | | | |
| 19 | 10100684 | 1/2" Regulator Jr. Metering Valve | | | |
| 20 | 10SB1 | 1-1/4" NPT Brass Tank Coupling | | | |
| 21 | 10L803041 | 1/2" x 2-34" NPT Pipe Nipple | | | |
| 22 | 1011821 | 1/2" Pipe Tee | | | |
| 23 | 10L803047 | 1/2" x 4-1/2" NPT Pipe Nipple | | | |
| 24 | 10L806004 | 1/2" NPT 90° Elbow | | | |
| 25 | 10101138 | 1/2" NPT 90° Elbow with Side-Out | | | |
| 26 | 10CL18 | 3/8" x 18" Control Line | | | |
| 27 | 10SME025 | 1/4" Straight Swivel | | | |
| 28 | 1011217 | 1/4" x 2" Pipe Nipple | | | |
| 29 | 1011832 | 1/4" NPT 90° Elbow | | | |
| 30 | 10DE025 | 1/4" NPT Dust Eliminator | | | |
| 31 | 1019001 | Marco® 190 12-Volt DC Electric Control Assembly – Complete | | | |
| 32 | 1015551 | 2-Prong Twist-Lock Plug – Male | | | |
| 33 | 1015540 | 16/2 Power Cord – Per Foot | | | |
| 34 | 1015552 | 2-Prong Twist-Lock Plug – Female | | | |

PART NUMBERS AND SCHEMATICS GUIDE

Figure 3: Complete 12-Volt DC Electric Conversion Kit – 1.0 Cu. Ft. Abrasive Blasting Pot



PART NUMBERS AND SCHEMATICS GUIDE

COMPLETE 120-VOLT AC ELECTRIC CONVERSION KIT – 1.0 CU. FT. ABRASIVE BLASTING POT

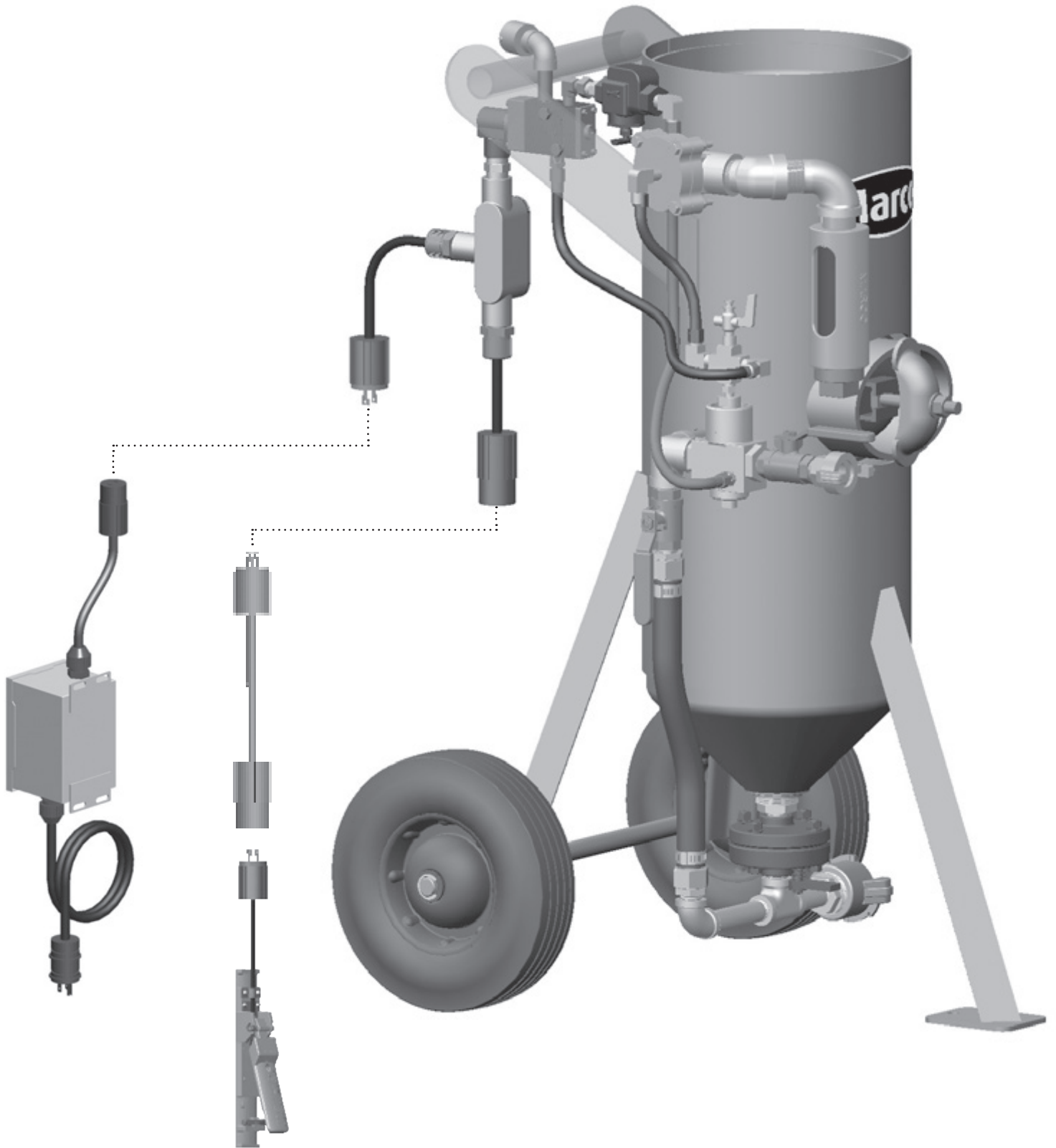
| Part Numbers | Marco® 190 12-Volt AC Electric Control Assembly | Blastmaster® Regulator Jr. Abrasive Metering Valve | Blastmaster® 151E Remote Control Switch | Blastmaster® 120-Volt AC to 12-Volt AC Power Converter | Electric Control Line <i>(Includes Connectors)</i> | Abrasive Blasting Pot Muffler |
|---------------------|--|---|--|---|---|--------------------------------------|
| 10106165 | X | X | X | X | 25 Ft. | X |

For converting bare pot to electric remote control system

Includes: Marco® 190 12-Volt AC Electric Control Assembly, Blastmaster® Regulator Jr. Abrasive Metering Valve, Blastmaster® 151E Remote Control Switch, Electric Control Line, Power Converter, Inlet Valve, Outlet Valve, and various pipe fittings

Note that due to the wide variety of blast pots you may need to purchase additional fittings, bushing, etc.

PART NUMBERS AND SCHEMATICS GUIDE



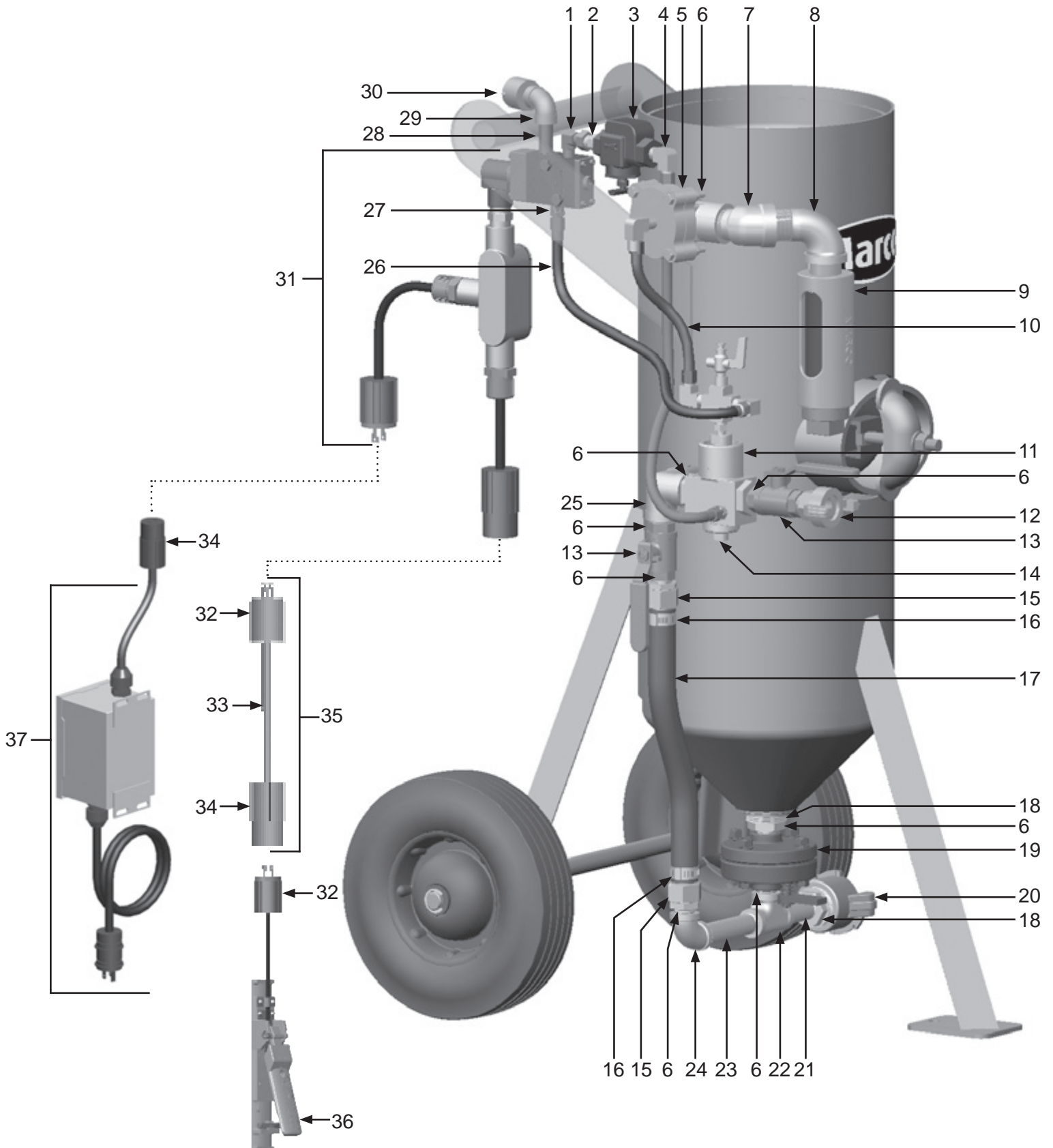
PART NUMBERS AND SCHEMATICS GUIDE

Complete 120-Volt AC Electric Conversion Kit – 1.0 Cu. Ft. Abrasive Blasting Pot


| Item # | Part # | Description | Item # | Part # | Description |
|---------------|-----------------|---|---|---------|--|
| Fig. 4 | | | 35 | 1015543 | 25' of 16/2 Power Cord with 2-Prong Twist-Lock Plugs Installed <i>(Includes Item #'s: 32, 33, and 34)</i> |
| — | 10106165 | Complete 120-Volt AC Electric Conversion Kit – 1.0 Cu. Ft. Abrasive Blasting Pot | 36 | 1015100 | Blastmaster® 151E Remote Control Switch |
| 1 | 1012326 | 1/4" NPT 90° Swivel Fitting | 37 | 1030020 | Blastmaster® 120-Volt AC to 12-Volt AC Power Converter |
| 2 | 1017019 | 1/4" x 1/4" Hex Nipple | <i>See page 21 for product literature</i> | | |
| 3 | 10WS | Watts Strainer | | | |
| 4 | 1012051 | 1/4" NPT Brass Elbow | | | |
| 5 | 10100676 | 1/2" Diaphragm Outlet Valve | | | |
| 6 | 10L803035 | 1/2" NPT Close Pipe Nipple <i>(Eight Required)</i> | | | |
| 7 | 1011838 | 1" NPT 45° Street Elbow | | | |
| 8 | 1011801 | 1" NPT 90° Street Elbow | | | |
| 9 | 1011100 | Abrasive Blasting Pot Muffler | | | |
| 10 | 10CL6 | 3/8" x 6" Control Line | | | |
| 11 | 10100534 | 1/2" Inlet Valve | | | |
| 12 | 10ME122 | 1/2" NPT 2-Lug Coupling (M) | | | |
| 13 | 10L363 | 1/2" NPT Full Port Brass Ball Valve <i>(Two Required)</i> | | | |
| 14 | 10100535 | 1/2" Inlet Valve Machined Casting | | | |
| 15 | 10SFE34 | Swivel Air Hose End – 3/4" NPT <i>(Two Required)</i> | | | |
| 16 | 10L800034 | Screw Type Hose Clamp <i>(Two Required)</i> | | | |
| 17 | 10AH034 | 3/4" I.D. Air Hose – Four Feet | | | |
| 18 | 1011820 | 1-1/4" x 1/2" NPT Bushing <i>(Two Required)</i> | | | |
| 19 | 10100684 | 1/2" Regulator Jr. Metering Valve | | | |
| 20 | 10SB1 | 1-1/4" NPT Brass Tank Coupling | | | |
| 21 | 10L803041 | 1/2" x 2-3/4" NPT Pipe Nipple | | | |
| 22 | 1011821 | 1/2" Pipe Tee | | | |
| 23 | 10L803047 | 1/2" x 4-1/2" NPT Pipe Nipple | | | |
| 24 | 10L806004 | 1/2" NPT 90° Elbow | | | |
| 25 | 10101138 | 1/2" NPT 90° Elbow with Side-Out | | | |
| 26 | 10CL18 | 3/8" x 18" Control Line | | | |
| 27 | 10SME025 | 1/4" Straight Swivel | | | |
| 28 | 1011217 | 1/4" x 2" Pipe Nipple | | | |
| 29 | 1011832 | 1/4" NPT 90° Elbow | | | |
| 30 | 10DE025 | 1/4" NPT Dust Eliminator | | | |
| 31 | 1019002 | Marco® 190 12-Volt AC Electric Control Assembly – Complete | | | |
| 32 | 1015551 | 2-Prong Twist-Lock Plug – Male | | | |
| 33 | 1015540 | 16/2 Power Cord – Per Foot | | | |
| 34 | 1015552 | 2-Prong Twist-Lock Plug – Female | | | |



PART NUMBERS AND SCHEMATICS GUIDE



Figure 4: Complete 120-Volt AC Electric Conversion Kit – 1.0 Cu. Ft. Abrasive Blasting Pot



OPTIONAL ACCESSORIES

| | | ELECTRIC CORD | | | |
|--|---------|---------------|------------|-------|----------|
| Part Numbers | | Gauge | # of Wires | Type | Length |
|  | 1015540 | 16 | 2 | | Per Foot |
| | 1030013 | 14 | 2 | SEOOW | Per Foot |
| | 1015550 | 14 | 3 | SEOOW | Per Foot |

| | | ELECTRIC CONTROL LINE WITH PLUGS | | | | |
|--|---------|----------------------------------|------------|---------------------------------|-----------------------------------|--------|
| Part Numbers | | Gauge | # of Wires | 2-Prong Male Twist-Lock Plug | 2-Prong Female Twist-Lock Plug | Length |
|  | 1015543 | 16 | 2 | 1015551 | 1015552 | 25 Ft. |
|  | 1015542 | 16 | 2 | 1015551 | 1015552 | 50 Ft. |

| | | ELECTRIC CONTROL LINE PLUGS | |
|--|---------|-----------------------------|------------|
| Part Numbers | | Prong Style | Plug Style |
|  | 1015551 | 2-Prong Male | Twist-Lock |
|  | 1015552 | 2-Prong Female | Twist-Lock |

LITERATURE REFERENCES

Remote Control System

| | |
|---------|---|
| 105M105 | Features and Specifications Guide – Blastmaster® 120E Remote Control System |
| 106M105 | Part Numbers and Schematics Guide – Blastmaster® 120E Remote Control System |
| 1090105 | Operator's Manual – Blastmaster® 120E Remote Control System |

Remote Control Switch

| | |
|---------|---|
| 105M063 | Features and Specifications Guide – Blastmaster® 151E Remote Control Switch |
| 106M063 | Part Numbers and Schematics Guide – Blastmaster® 151E Remote Control Switch |
| 1090063 | Operator's Manual – Blastmaster® 151E Remote Control Switch |

Abrasive Metering Valve

| | |
|---------|--|
| 105M160 | Features and Specifications Guide – Blastmaster® Regulator Jr. Abrasive Metering Valve |
| 106M160 | Part Numbers and Schematics Guide – Blastmaster® Regulator Jr. Abrasive Metering Valve |
| 1091060 | Operator's Manual – Blastmaster® Regulator Jr. Abrasive Metering Valve |

Abrasive Blasting Pot Muffler

| | |
|---------|---|
| 106M347 | Part Numbers and Schematics Guide – Abrasive Blasting Pot Muffler |
|---------|---|

MAINTENANCE NOTES

| DATE | TYPE OF SERVICE | PART NUMBER |
|------|-----------------|-------------|
| | | |
| | | |
| | | |
| | | |
| | | |
| | | |
| | | |
| | | |
| | | |
| | | |
| | | |
| | | |
| | | |
| | | |
| | | |
| | | |
| | | |
| | | |
| | | |
| | | |
| | | |
| | | |
| | | |
| | | |
| | | |
| | | |
| | | |
| | | |
| | | |
| | | |
| | | |
| | | |
| | | |
| | | |
| | | |
| | | |
| | | |
| | | |
| | | |
| | | |
| | | |
| | | |
| | | |
| | | |
| | | |

GLOBAL HEADQUARTERS

- 3425 East Locust Street
Davenport, IA 52803

ph: 800.BLAST.IT (800.252.7848)

ph: 563.324.2519

fax: 563.324.6258

GULF STATES HEADQUARTERS

- 701 East Boulevard
Deer Park, TX 77536

ph: 800.BLAST.IT (800.252.7848)

ph: 281.930.0905

fax: 281.542.0736

REGIONAL BRANCH OFFICES

- **Iowa**
Davenport
- **Louisiana**
Gonzales
Lafayette
- **Ohio**
Youngstown
- **Texas**
Beaumont
Corpus Christi
Deer Park



ABRASIVES

BLASTING

COATING

DUST COLLECTORS

ENGINEERED SYSTEMS

RENTAL

SAFETY

SERVICE & REPAIR

VACUUMS

40+ NATIONWIDE SHIPPING LOCATIONS



★ Marco Regional Branch Offices
and Shipping Locations

● Direct Shipping Locations

CONTACT MARCO

800.BLAST.IT

(800.252.7848)

563.324.2519

FAX: 563.324.6258

WWW.MARCO.US

SALES@MARCO.US