



BLASTMASTER® 10.0 CU. FT. ABRASIVE BLASTING POT



PART NUMBERS AND SCHEMATIC GUIDE

Company Profile

Since 1944, Marco has developed a strong tradition of providing innovative and reliable products and services to the surface preparation and protective coatings industries. We are the world's premier provider of Abrasives, Blasting, Coating, Dust Collectors, Engineered Systems, Rental, Safety, Service, Repair, & Modernization, and Vacuums.

Through innovative designs and a total commitment to quality, Marco manufactures products that increase production rates, create a safer workplace, and reduce maintenance costs. Marco's industry experience, manufacturing capabilities, legendary customer service, product availability, logistics services, and technology leadership is your assurance that we deliver high quality products and services, providing the best value to you, our customer.

The Marco Difference

- **Industry Experience** – With Marco on your team, you have access to expertise which can only come from decades of industry leadership. We have organized our engineering department, production specialists, customer operations, and safety support into a “Center of Competence.” As a Marco customer, you have access to hundreds of years of cumulative experience related to your operations.
- **Manufacturing Excellence** – Marco is a U.S. based, ISO 9001:2008 certified manufacturer of equipment for the Surface Preparation and Protective Coatings industries. Marco's engineers benchmark the industry to ensure that we design and manufacture superior products that set the “Gold Standard” for performance, safety, and quality.
- **Legendary Customer Service** – Marco's legendary customer service team is staffed by friendly, highly-trained individuals who are focused on providing the highest level of product support, order accuracy, and customer satisfaction.
- **Product Availability** – We stock over 10,000 SKU's and have more than 45 shipping locations to serve North American and International markets for all major brands of blasting and coating equipment. As the largest provider of surface preparation and protective coatings equipment in the world, our inventory levels and product availability are unmatched.
- **Logistics Services** – Marco's in-house logistics team is dedicated to moving your shipment anywhere in the world. We move more than 14,000 truckloads every year, allowing you to save on freight costs by leveraging our buying power. Lower your process costs with a single invoice, which includes product and freight.
- **Technology Leadership** – Our website provides: Operator's Manuals, Part Numbers and Schematics Guides, SDS information, and Features & Specifications Guides, providing access to information 24/7. Our Extranet application allows you to receive quotes and place orders online. Our Intranet maintains a complete record of your purchase history to assist with ongoing support of your existing equipment and future purchasing decisions.

Vision Statement

Marco is the world's premier provider of Abrasives, Blasting, Coating, Dust Collectors, Engineered Systems, Rental, Safety, Service, Repair, & Modernization, and Vacuums.

Mission Statement

Marco provides strong leadership and innovation to the surface preparation and protective coatings industries. We dedicate our efforts to the continuous improvement of our products, services, processes, people, and most importantly, the quality of our customer's experience.

Quality Statement

Marco is committed to providing superior quality in the design, manufacturing, distribution, rental, service, and repair of our products. Our ISO 9001:2008 certification extends throughout all operations in all locations. Continuous improvement of our processes and supply chain Integration comprise the core of our business strategy for delivering exceptional quality and value in all Marco products and services.

Management Philosophy

We are a company dedicated to the success of every customer and associate. We discuss, debate, challenge, measure, and test our ideas. We will be boundless and limitless in our passion to improve. Through sound leadership and dedicated associates, we will ensure a long term, profitable future for Marco, our associates, customers, and suppliers.

TABLE OF CONTENTS

Company Profile	2
Part Numbers	4
Part Numbers and Schematics	8
Inspection Door Assembly	8
Pop-up Valve Assembly	9
10.0 Cu. Ft. Abrasive Blasting Pot — Blastmaster® 123P Remote Control System — 1-1/2" Blastmaster® Bantam Abrasive Metering Valve - Single Outlet - Pressure Release	10
10.0 Cu. Ft. Abrasive Blasting Pot — Blastmaster® 123E Remote Control System — 1-1/2" Blastmaster® Bantam Abrasive Metering Valve - Single Outlet - Pressure Hold	12
10.0 Cu. Ft. Abrasive Blasting Pot — Blastmaster® 130P Remote Control System — 1-1/2" Blastmaster® Maxum III Abrasive Metering Valve — Single Outlet - Pressure Hold	14
10.0 Cu. Ft. Abrasive Blasting Pot — Blastmaster® 130E Remote Control System — 1-1/2" Blastmaster® Maxum III Abrasive Metering Valve — Single Outlet - Pressure Hold	16
10.0 Cu. Ft. Abrasive Blasting Pot — Blastmaster® 130P Remote Control System — 1-1/2" Blastmaster® Maxum III Abrasive Metering Valve — Dual Outlet - Pressure Hold	18
10.0 Cu. Ft. Abrasive Blasting Pot — Blastmaster® 123E Remote Control System — 1-1/2" Blastmaster® Maxum III Abrasive Metering Valve — Dual Outlet - Pressure Hold	20
10.0 Cu. Ft. Abrasive Blasting Pot — Blastmaster® 123P Remote Control System — 1-1/2" Blastmaster® Maxum III Abrasive Metering Valve — Dual Outlet - Pressure Release	22
10.0 Cu. Ft. Abrasive Blasting Pot — Blastmaster® 123E Remote Control System — 1-1/2" Blastmaster® Maxum III Abrasive Metering Valve — Dual Outlet - Pressure Release	24
Pusher Line Assembly	26
Exhaust Muffler Assembly	26
Blastmaster® 123P Remote Control System	28
Tandem Remote Control Valve	29
12-Volt DC Blastmaster® 123E Remote Control System	30
120-Volt AC Blastmaster® 123E Remote Control System	31
Blastmaster® Bantam Abrasive Metering Valve	34
Blastmaster® 130P Remote Control System	36
12-Volt DC Blastmaster® 130E Remote Control System	38
120-Volt AC Blastmaster® 130E Remote Control System	40
120-Volt AC Blastmaster® 130E Remote Control System - Multiple Outlet	42
Blastmaster® Maxum III Abrasive Metering Valve — Urethane Sleeve	44
Blastmaster® Maxum III Abrasive Metering Valve	46
Blastmaster® Maxum III Abrasive Metering Valve — Tungsten Carbide Sleeve — 2"	48
Blastmaster® Maxum III Abrasive Metering Valve — Urethane Sleeve — 2"	50
1-1/2" NPT High-flow GateKeeper Air Valve	52
12-Volt DC 190 Electric Control Assembly	54
12-Volt DC 190 Electric Solenoid	55
12-Volt AC 190 Electric Control Assembly	56
12-Volt AC 190 Electric Solenoid	57
Blastmaster® 120-Volt AC to 12-Volt AC Power Converter	58
190 Pneumatic Solenoid	60
Lids and Screens (Optional)	61
Literature References	60

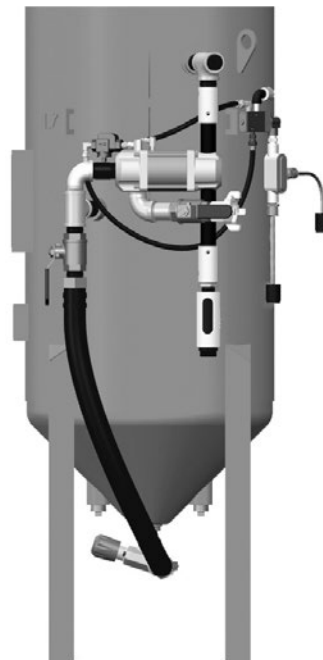
PART NUMBERS

BLASTMASTER® 10.0 CU. FT. ABRASIVE BLASTING POT SINGLE OUTLET - PRESSURE RELEASE

Part Numbers	Power Source	Blastmaster® Remote Control System	Blastmaster® Remote Control Switch	Blastmaster® Bantam Abrasive Metering Valve	1-1/4" Extractor Abrasive Blasting Pot Moisture Separator	Outlets
10105455	Pneumatic	123P	152P	1-1/2"		Single
10105455PKA	Pneumatic	123P	152P	1-1/2"	X	Single
10105459	12-Volt DC	123E	151E	1-1/2"		Single
10105459PKA	12-Volt DC	123E	151E	1-1/2"	X	Single
10105463	120-Volt AC	123E	151E	1-1/2"		Single
10105463PKA	120-Volt AC	123E	151E	1-1/2"	X	Single



Pneumatic

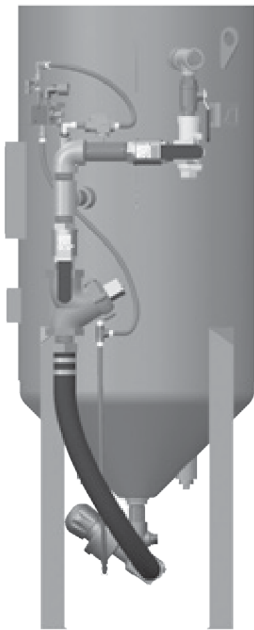


Electric

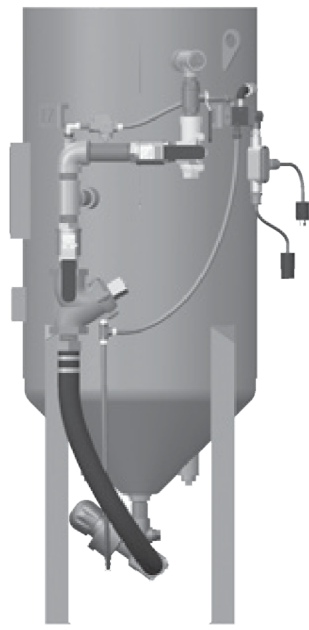
PART NUMBERS

BLASTMASTER® 10.0 CU. FT. ABRASIVE BLASTING POT SINGLE OUTLET - PRESSURE HOLD

Part Numbers	Power Source	Blastmaster® Remote Control System	Blastmaster® Remote Control Switch	1-1/2" Blastmaster® Maxum III Abrasive Metering Valve Sleeve Material	1-1/2" Extractor Abrasive Blasting Pot Moisture Separator	Outlets
10105465	Pneumatic	130P	152P	Tungsten Carbide		Single
10105465PKA	Pneumatic	130P	152P	Tungsten Carbide	X	Single
10105467	Pneumatic	130P	152P	Urethane		Single
10105467PKA	Pneumatic	130P	152P	Urethane	X	Single
10105469	12-Volt DC	130E	151E	Tungsten Carbide		Single
10105469PKA	12-Volt DC	130E	151E	Tungsten Carbide	X	Single
10105471	12-Volt DC	130E	151E	Urethane		Single
10105471PKA	12-Volt DC	130E	151E	Urethane	X	Single
10105473	120-Volt AC	130E	151E	Tungsten Carbide		Single
10105473PKA	120-Volt AC	130E	151E	Tungsten Carbide	X	Single
10105475	120-Volt AC	130E	151E	Urethane		Single
10105475PKA	120-Volt AC	130E	151E	Urethane	X	Single



Pneumatic



Electric

PART NUMBERS

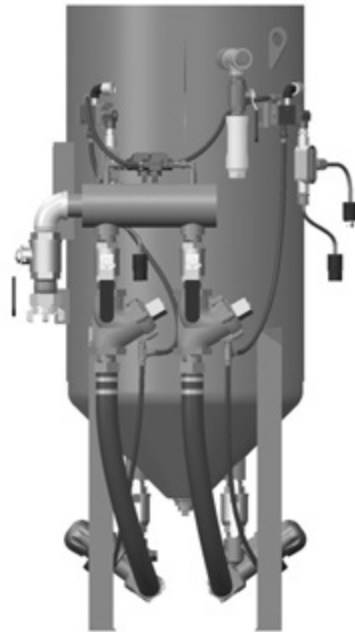
BLASTMASTER® 10.0 CU. FT. ABRASIVE BLASTING POT DUAL OUTLET - PRESSURE HOLD

Part Numbers	Power Source	Blastmaster® Remote Control System	Blastmaster® Remote Control Switch	1-1/2" Blastmaster® Maxum III Abrasive Metering Valve Sleeve Material	Outlets
10105477	Pneumatic	130P	152P	Tungsten Carbide	Dual
10105479	Pneumatic	130P	152P	Urethane	Dual
10105481	12-Volt DC	130E	151E	Tungsten Carbide	Dual
10105483	12-Volt DC	130E	151E	Urethane	Dual
10105485	120-Volt AC	130E	151E	Tungsten Carbide	Dual
10105487	120-Volt AC	130E	151E	Urethane	Dual

** Use an 800 CFM Moisture Separator or larger (sold separately) for Dual Outlet configurations.*



Pneumatic



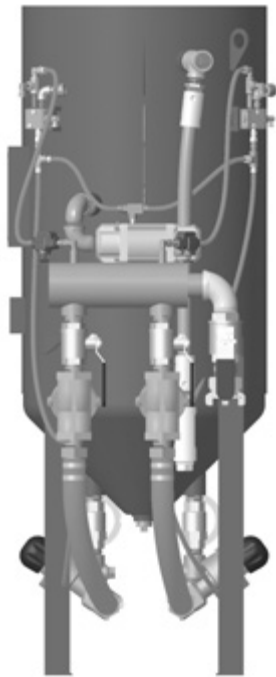
Electric

PART NUMBERS

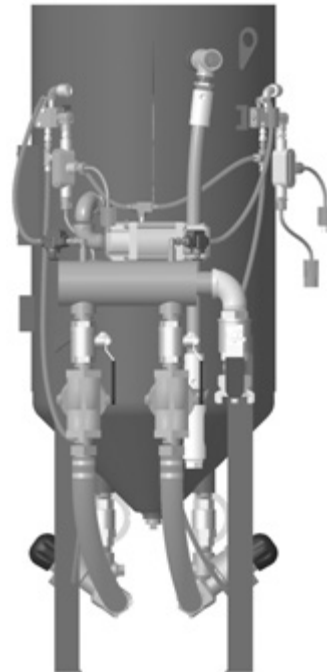
BLASTMASTER® 10.0 CU. FT. ABRASIVE BLASTING POT DUAL OUTLET - PRESSURE RELEASE

Part Numbers	Power Source	Blastmaster® Remote Control System	Blastmaster® Remote Control Switch	1-1/2" Blastmaster® Maxum III Abrasive Metering Valve Sleeve Material	Outlets
10109058	Pneumatic	123P	152P	Urethane	Dual
10109196	12-Volt DC	123E	151E	Tungsten Carbide	Dual

** Use an 800 CFM Moisture Separator or larger (sold separately) for Dual Outlet configurations.*



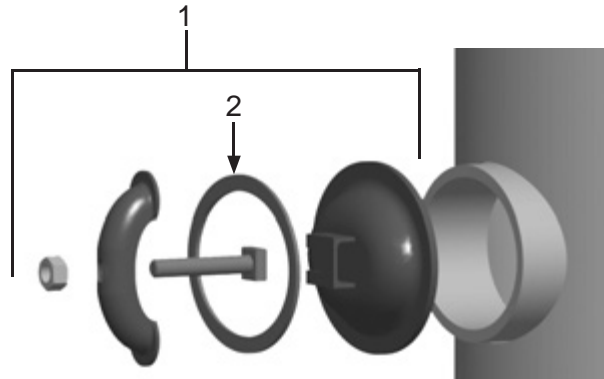
Pneumatic



Electric

PART NUMBERS AND SCHEMATICS

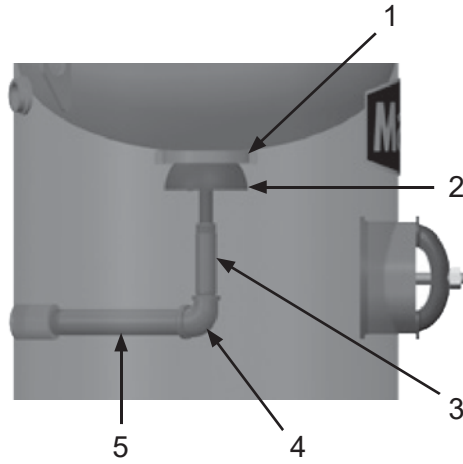
Figure 1: Inspection Door Assembly



Item #	Part #	Description
1	1006200	6" x 8" Inspection Door Assembly
2	1006201	Gasket

PART NUMBERS AND SCHEMATICS

Figure 2: Pop-up Valve Assembly



Item #	Part #	Description
--------	--------	-------------

Fig. 2

1	1006040	Pop-Up Valve Seat
2	1006030	Pop-Up Valve
3	1011815	1" x 5" NPT Pipe Nipple
4	1006210	1-1/4" x 1" 90 ° Elbow
5	1011214	1-1/4" x 10" NPT Pipe Nipple

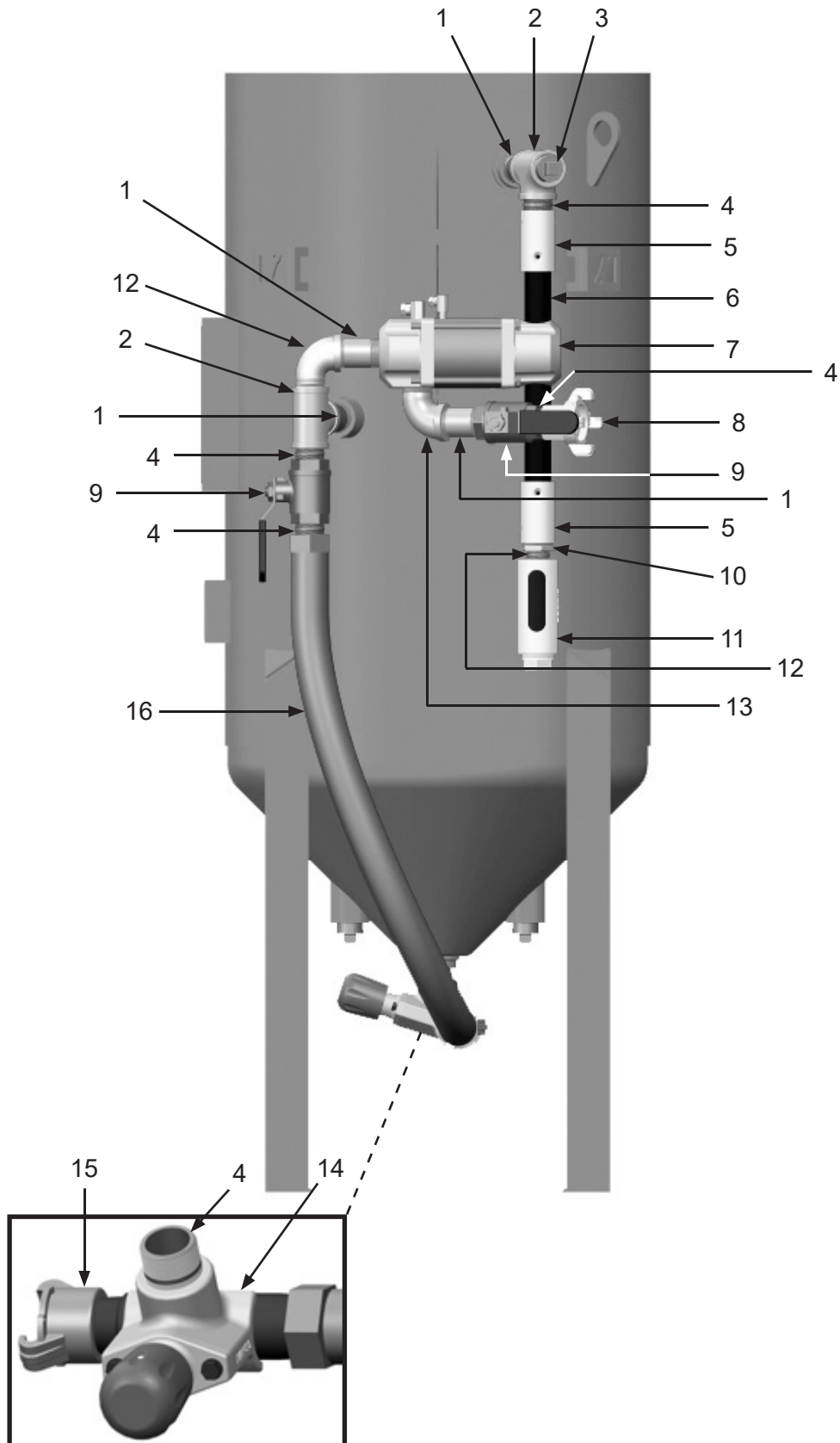
PART NUMBERS AND SCHEMATICS

10.0 Cu. Ft. Abrasive Blasting Pot — Blastmaster® 123P Remote Control System — 1-1/2" Blastmaster® Bantam Abrasive Metering Valve - Single Outlet - Pressure Release

Item #	Part #	Description
Fig. 3		
1	1011204	1-1/4" x 3" Pipe Nipple (<i>Four Required</i>)
2	1011803	1-1/4" Pipe Tee (<i>Two Required</i>)
3	1011902	1-1/4" Square Head Plug
4	1011201	1-1/4" NPT Close Nipple (<i>Four Required</i>)
5	10NHA1	3/4" Aluminum Nozzle Holder (<i>Two Required</i>)
6	10BH0342BR	3/4" Blast Hose (<i>Sold Per Foot</i>)
7	1012300	Blastmaster® Tandem Valve – Complete
8	10ME3	1-1/4" NPT (F) 4-Lug Air Hose Coupling
9	1011602	1-1/4" NPT Full Port Brass Ball Valve (<i>Two Required</i>)
10	1012157	1-1/4" x 1" Bushing
11	1011100	Muffler Assembly Complete
12	1012151	1" Galvanized Close Nipple (<i>Two Required</i>)
13	1011802	1-1/4" Street Elbow
14	1014102	1-1/2" Blastmaster® Bantam Abrasive Metering Valve – Complete
15	10SB2	1-1/2" Brass Tank Coupling
16	—	1-1/2" Pusher Line Assembly (<i>See Fig. 11</i>)
—	1012351	123P Remote Control System
—	1091020	Warning Plate
—	1091025	Warning Tag
—	1091045	Warning Tag

PART NUMBERS AND SCHEMATICS

Figure 3: 10.0 Cu. Ft. Abrasive Blasting Pot — Blastmaster® 123P Remote Control System — 1-1/2" Blastmaster® Bantam Abrasive Metering Valve - Single Outlet - Pressure Release



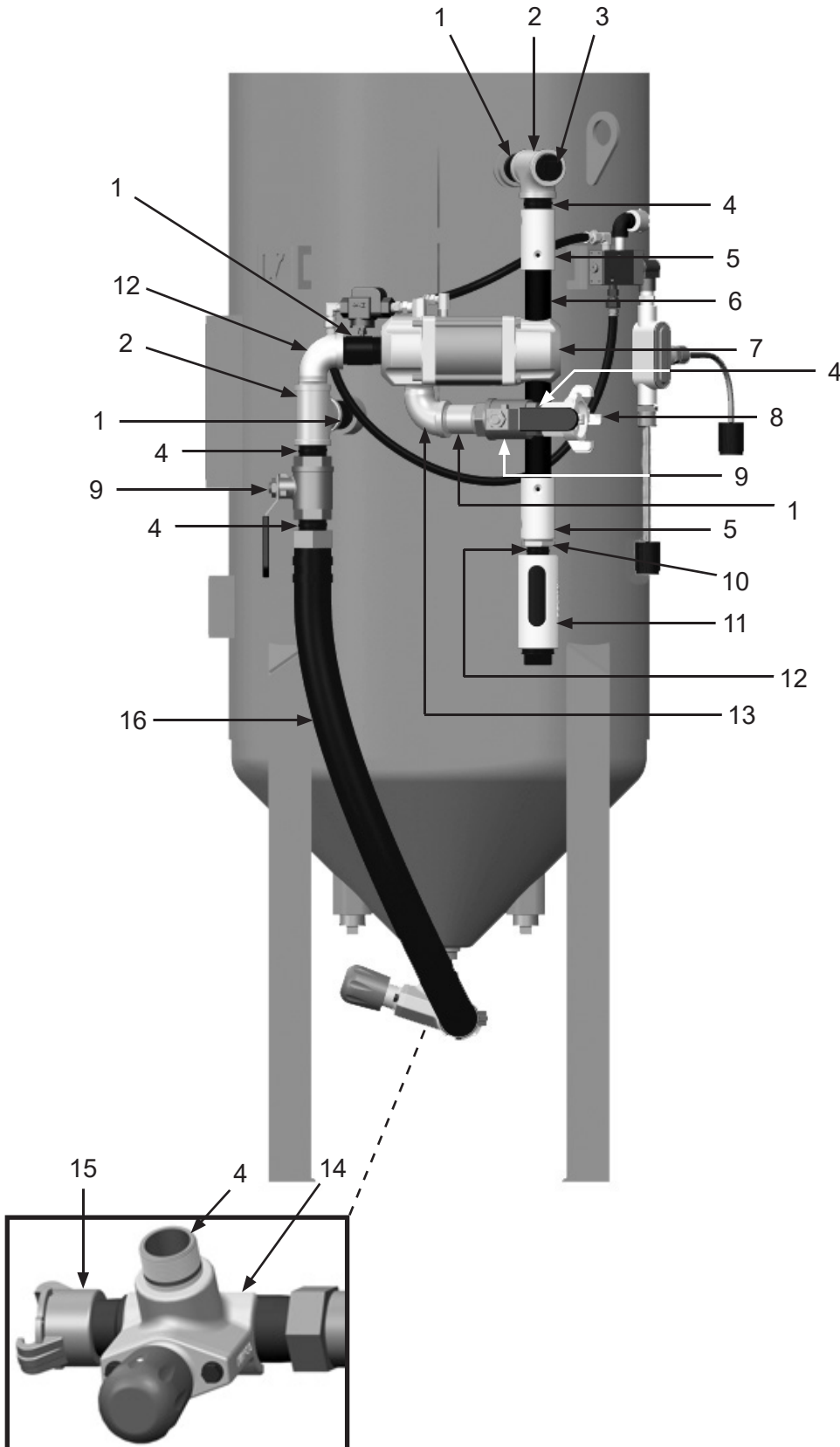
PART NUMBERS AND SCHEMATICS

10.0 Cu. Ft. Abrasive Blasting Pot — Blastmaster® 123E Remote Control System — 1-1/2" Blastmaster® Bantam Abrasive Metering Valve - Single Outlet - Pressure Hold

Item #	Part #	Description
Fig. 4		
1	1011204	1-1/4" x 3" Pipe Nipple (<i>Four Required</i>)
2	1011803	1-1/4" Pipe Tee (<i>Two Required</i>)
3	1011902	1-1/4" Square Head Plug
4	1011201	1-1/4" NPT Close Nipple (<i>Five Required</i>)
5	10NHA1	3/4" Aluminum Nozzle Holder (<i>Two Required</i>)
6	10BH0342BR	3/4" Blast Hose (<i>Sold Per Foot</i>)
7	1012300	Blastmaster® Tandem Valve – Complete
8	10ME3	1-1/4" NPT (F) 4-Lug Air Hose Coupling
9	1011602	1-1/4" NPT Full Port Brass Ball Valve (<i>Two Required</i>)
10	1012157	1-1/4" x 1" Bushing
11	1011100	Muffler Assembly Complete
12	1012151	1" Galvanized Close Nipple (<i>Two Required</i>)
13	1011802	1-1/4" Street Elbow
14	1014102	1-1/2" Blastmaster® Bantam Abrasive Metering Valve – Complete
15	10SB2	1-1/2" Brass Tank Coupling
16	—	1-1/2" Pusher Line Assembly (<i>See Fig. 11</i>)
—	1012351	123E Remote Control System
—	1091020	Warning Plate
—	1091025	Warning Tag
—	1091045	Warning Tag

PART NUMBERS AND SCHEMATICS

Figure 4: 10.0 Cu. Ft. Abrasive Blasting Pot — Blastmaster® 123E Remote Control System — 1-1/2" Blastmaster® Bantam Abrasive Metering Valve - Single Outlet - Pressure Hold



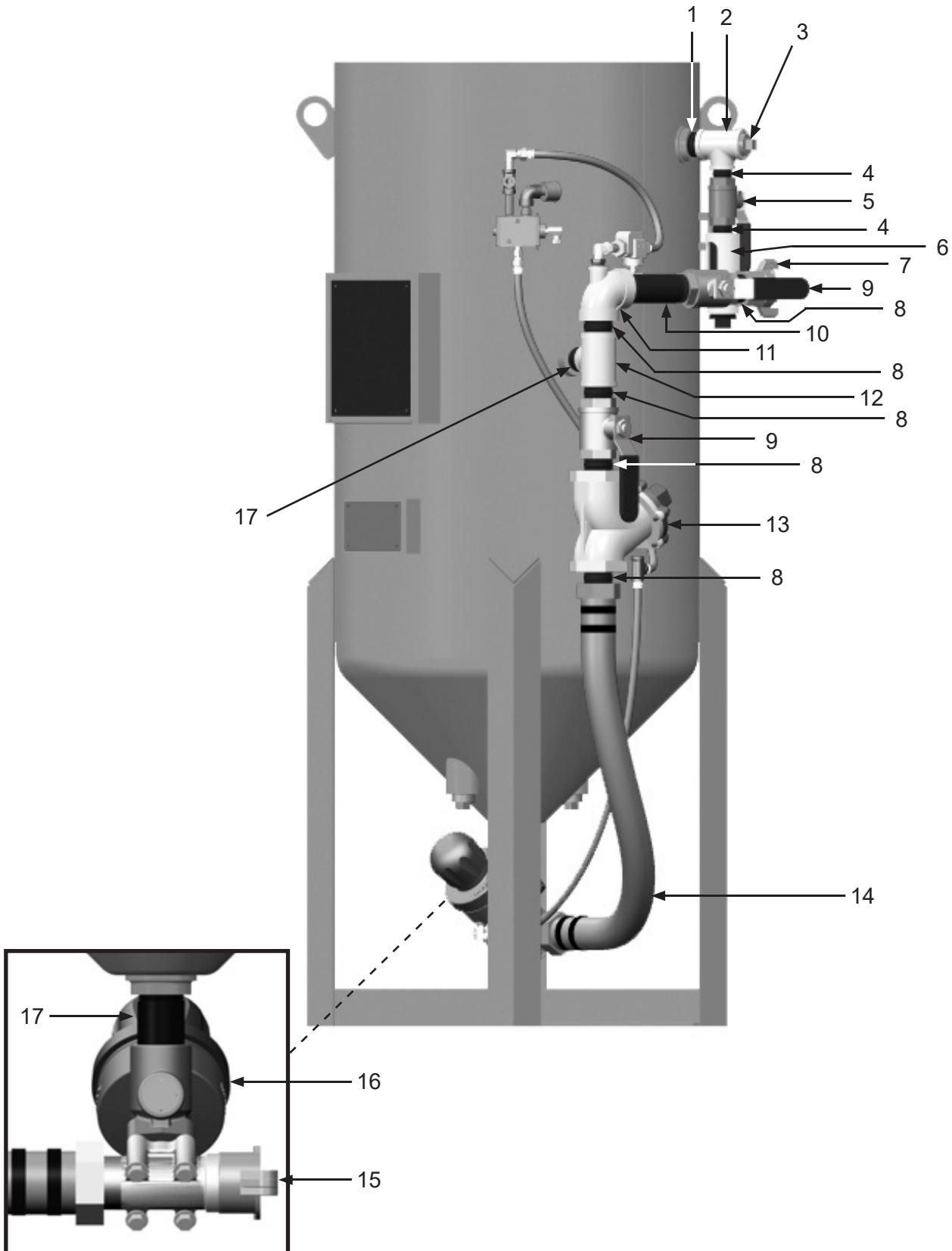
PART NUMBERS AND SCHEMATICS

10.0 Cu. Ft. Abrasive Blasting Pot – Blastmaster® 130P Remote Control System – 1-1/2” Blastmaster® Maxum III Abrasive Metering Valve – Single Outlet - Pressure Hold

Item #	Part #	Description
Fig. 5		
1	1011201	1-1/4" NPT Close Nipple
2	1011817	1-1/4" x 1-1/4" x 1" Pipe Tee
3	1011902	1-1/4" Square Head Plug
4	1012151	1" Galvanized Close Nipple <i>(Two Required)</i>
5	1011601	1" NPT Full Port Brass Ball Valve
6	1011100	Muffler Assembly Complete
7	10ME4	1-1/2" NPT (F) 4-Lug Air Hose Coupling
8	1014015	1-1/2" Close Nipple <i>(Five Required)</i>
9	1011603	1-1/2" NPT Full Port Brass Ball Valve <i>(Two Required)</i>
10	1011211	1-1/2" NPT x 5-1/2" Pipe Nipple
	10105026	1-1/2" NPT x 9" Pipe Nipple (PKA Only)
11	1011828	1-1/2" 90° Elbow With 1/2" Out
12	1011836	1-1/2" x 1-1/2" x 1-1/4" Pipe Tee
13	1013600	Gatekeeper Air Valve High Flow
14	—	1-1/2" Pusher Line Assembly <i>(See Fig. 11)</i>
15	10SB2S	1-1/2" Straight Thread Pot Coupling
16	10101946	Blastmaster Maxum III Abrasive Metering Valve 1-1/2" Urethane
—	10101950	Blastmaster Maxum III Abrasive Metering Valve 1-1/2" Tungsten Carbide
17	1011204	1-1/4" x 3" Pipe Nipple <i>(Two Required)</i>
—	10103834	Blastmaster® 130P Remote Control System — Complete
—	1091020	Warning Plate
—	1091025	Warning Tag
—	1091045	Warning Tag

PART NUMBERS AND SCHEMATICS

Figure 5: 10.0 Cu. Ft. Abrasive Blasting Pot – Blastmaster® 130P Remote Control System – 1-1/2” Blastmaster® Maxum III Abrasive Metering Valve – Single Outlet - Pressure Hold



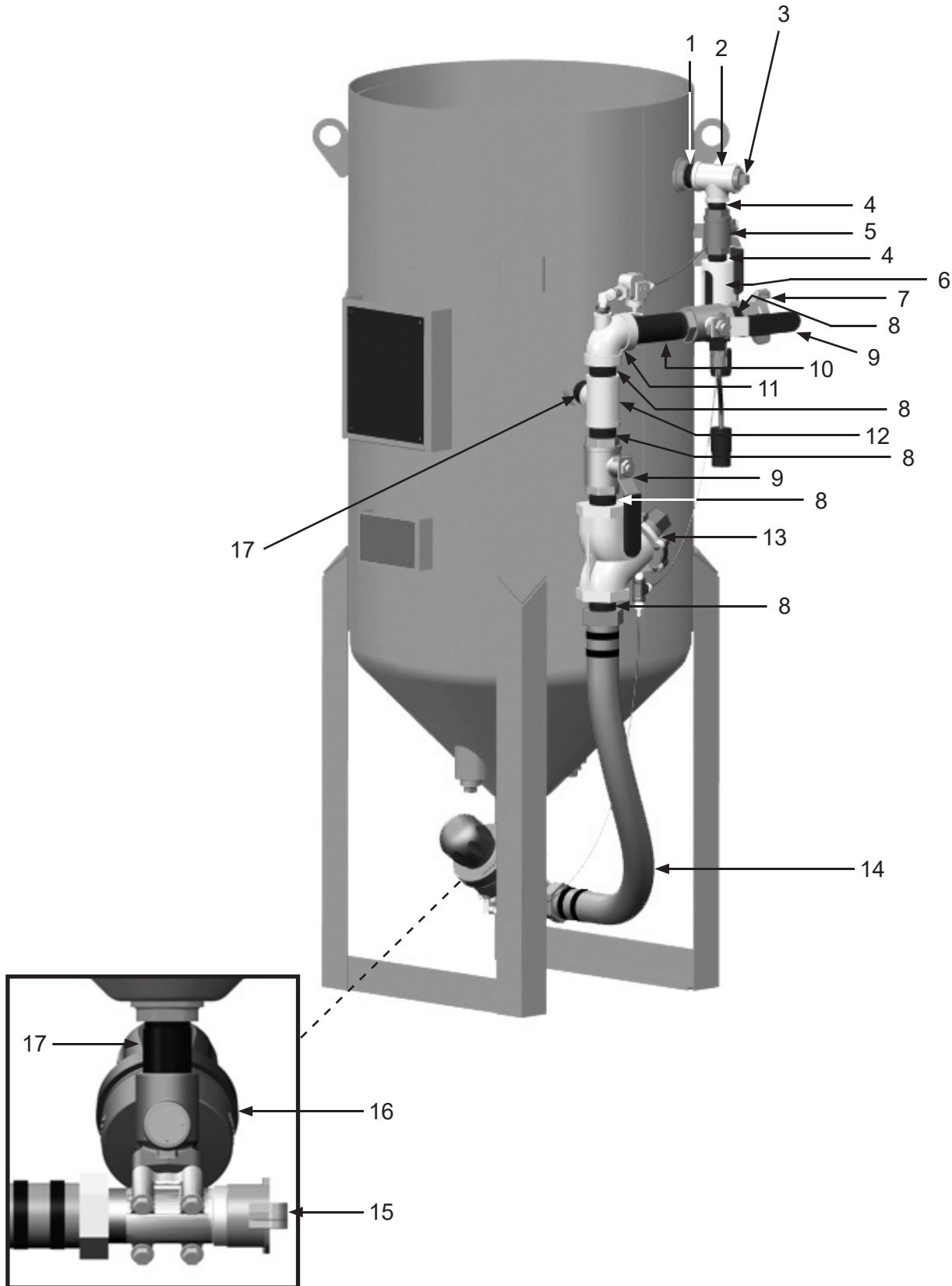
PART NUMBERS AND SCHEMATICS

10.0 Cu. Ft. Abrasive Blasting Pot – Blastmaster® 130E Remote Control System – 1-1/2” Blastmaster® Maxum III Abrasive Metering Valve – Single Outlet - Pressure Hold

Item #	Part #	Description
Fig. 6		
1	1011201	1-1/4" NPT Close Nipple
2	1011817	1-1/4" x 1-1/4" x 1" Pipe Tee
3	1011902	1-1/4" Square Head Plug
4	1012151	1" Galvanized Close Nipple (<i>Two Required</i>)
5	1011601	1" NPT Full Port Brass Ball Valve
6	1011100	Muffler Assembly Complete
7	10ME4	1-1/2" NPT (F) 4-Lug Air Hose Coupling
8	1014015	1-1/2" Close Nipple (<i>Five Required</i>)
9	1011603	1-1/2" NPT Full Port Brass Ball Valve (<i>Two Required</i>)
10	1011211	1-1/2" NPT x 5-1/2" Pipe Nipple
	10105026	1-1/2" NPT x 9" Pipe Nipple (PKA Only)
11	1011828	1-1/2" 90° Elbow With 1/2" Out
12	1011836	1-1/2" x 1-1/2" x 1-1/4" Pipe Tee
13	1013600	Gatekeeper Air Valve High Flow
14	—	1-1/2" Pusher Line Assembly (<i>See Fig. 11</i>)
15	10SB2S	1-1/2" Straight Thread Pot Coupling
16	10101946	Blastmaster Maxum III Abrasive Metering Valve 1-1/2" Urethane
—	10101950	Blastmaster Maxum III Abrasive Metering Valve 1-1/2" Tungsten Carbide
17	1011204	1-1/4" x 3" Pipe Nipple (<i>Two Required</i>)
—	10103835	12-Volt DC Blastmaster® 130E Remote Control System – Complete
—	10103836	120-Volt AC Blastmaster® 130E Remote Control System – Single Outlet – Complete
—	1091020	Warning Plate
—	1091025	Warning Tag
—	1091045	Warning Tag

PART NUMBERS AND SCHEMATICS

Figure 6: 10.0 Cu. Ft. Abrasive Blasting Pot – Blastmaster® 130E Remote Control System – 1-1/2” Blastmaster® Maxum III Abrasive Metering Valve – Single Outlet - Pressure Hold



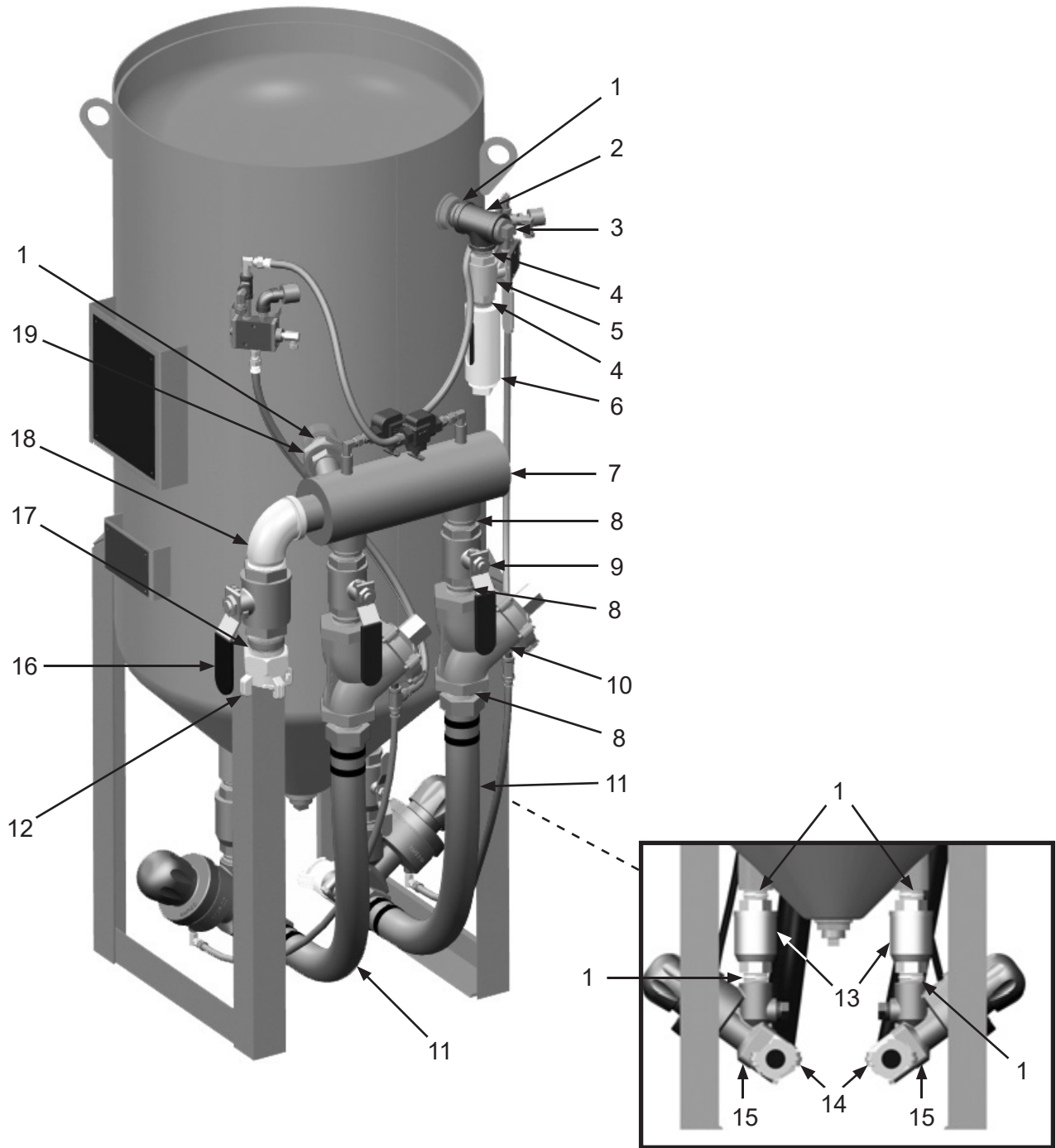
PART NUMBERS AND SCHEMATICS

10.0 Cu. Ft. Abrasive Blasting Pot – Blastmaster® 130P Remote Control System – 1-1/2” Blastmaster® Maxum III Abrasive Metering Valve – Dual Outlet - Pressure Hold

Item #	Part #	Description
Fig. 7		
1	1011201	1-1/4" NPT Close Nipple <i>(Five Required)</i>
2	1011817	1-1/4" x 1-1/4" x 1" Pipe Tee
3	1011902	1-1/4" Square Head Plug
4	1012151	1" Galvanized Close Nipple <i>(Two Required)</i>
5	1011601	1" NPT Full Port Brass Ball Valve
6	1011100	Muffler Assembly Complete
7	10105642	Manifold
8	1014015	1-1/2" Close Nipple <i>(10 Required)</i>
9	1011603	1-1/2" NPT Full Port Brass Ball Valve <i>(Three Required)</i>
10	1013600	Gatekeeper Air Valve High Flow <i>(Two Required)</i>
11	—	1-1/2" Pusher Line Assembly <i>(Two Required)</i> (See Fig. 11)
12	10ME4	1-1/2" NPT (F) 4-Lug Air Hose Coupling
13	1011606A	1-1/4" Union End Ball Valve <i>(Two Required)</i>
14	10SB2S	1-1/2" Straight Thread Pot Coupling <i>(Two Required)</i>
15	10101946	Blastmaster Maxum III Abrasive Metering Valve 1-1/2" Urethane
—	10101950	Blastmaster Maxum III Abrasive Metering Valve 1-1/2" Tungsten Carbide
16	1011604	2" NPT Full Port Brass Ball Valve
17	1001806	2" Close Nipple
18	10101265	2" 90° Elbow
19	1011211	1-1/4" Female Pipe Union
—	10103834	Blastmaster® 130P Remote Control System — Complete <i>(Two Required)</i>
—	1091020	Warning Plate
—	1091025	Warning Tag
—	1091045	Warning Tag

PART NUMBERS AND SCHEMATICS

Figure 7: 10.0 Cu. Ft. Abrasive Blasting Pot – Blastmaster® 130P Remote Control System – 1-1/2” Blastmaster® Maxum III Abrasive Metering Valve – Dual Outlet - Pressure Hold



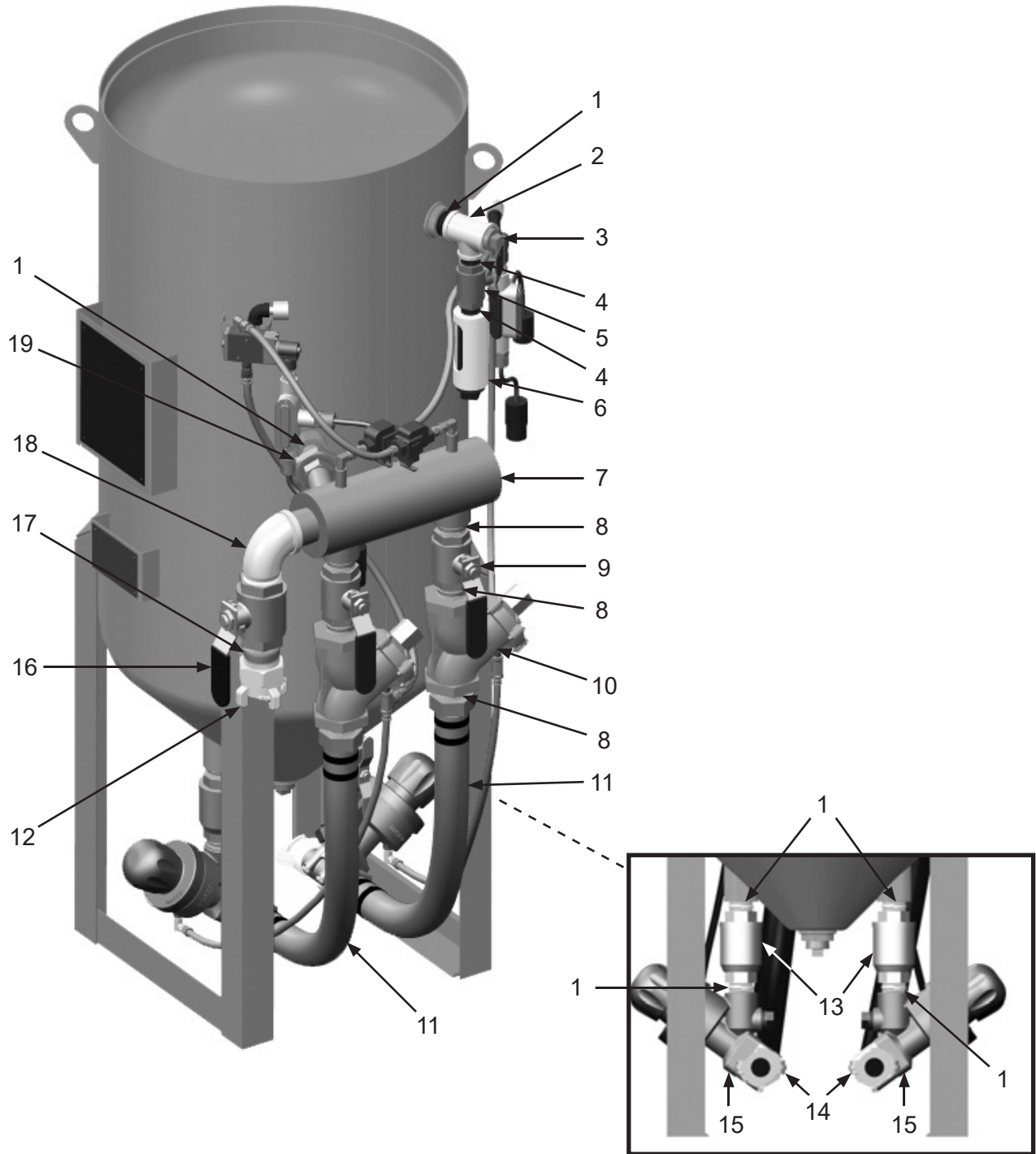
PART NUMBERS AND SCHEMATICS

10.0 Cu. Ft. Abrasive Blasting Pot – Blastmaster® 123E Remote Control System – 1-1/2” Blastmaster® Maxum III Abrasive Metering Valve – Dual Outlet - Pressure Hold

Item #	Part #	Description
Fig. 8		
1	1011201	1-1/4" NPT Close Nipple (Five Required)
2	1011817	1-1/4" x 1-1/4" x 1" Pipe Tee
3	1011902	1-1/4" Square Head Plug
4	1012151	1" Galvanized Close Nipple (<i>Two Required</i>)
5	1011601	1" NPT Full Port Brass Ball Valve
6	1011100	Muffler Assembly Complete
7	10105642	Manifold
8	1014015	1-1/2" Close Nipple (<i>10 Required</i>)
9	1011603	1-1/2" NPT Full Port Brass Ball Valve (<i>Three Required</i>)
10	1013600	Gatekeeper Air Valve High Flow (Two Required)
11	—	1-1/2" Pusher Line Assembly (<i>Two Required</i>) (See Fig. 11)
12	10ME4	1-1/2" NPT (F) 4-Lug Air Hose Coupling
13	1011606A	1-1/4" Union End Ball Valve (<i>Two Required</i>)
14	10SB2S	1-1/2" Straight Thread Pot Coupling (<i>Two Required</i>)
15	10101946	Blastmaster Maxum III Abrasive Metering Valve 1-1/2" Urethane
—	10101950	Blastmaster Maxum III Abrasive Metering Valve 1-1/2" Tungsten Carbide
16	1011604	2" NPT Full Port Brass Ball Valve
17	1001806	2" Close Nipple
18	10101265	2" 90° Elbow
19	1011211	1-1/4" Female Pipe Union
—	10103835	12-Volt DC Blastmaster® 130E Remote Control System – Complete (<i>Two Required</i>)
—	10103836	120-Volt AC Blastmaster® 130E Remote Control System – Single Outlet – Complete (<i>Two Required</i>)
—	1091020	Warning Plate
—	1091025	Warning Tag
—	1091045	Warning Tag

PART NUMBERS AND SCHEMATICS

Figure 8: 10.0 Cu. Ft. Abrasive Blasting Pot – Blastmaster® 123E Remote Control System – 1-1/2” Blastmaster® Maxum III Abrasive Metering Valve – Dual Outlet - Pressure Hold



PART NUMBERS AND SCHEMATICS

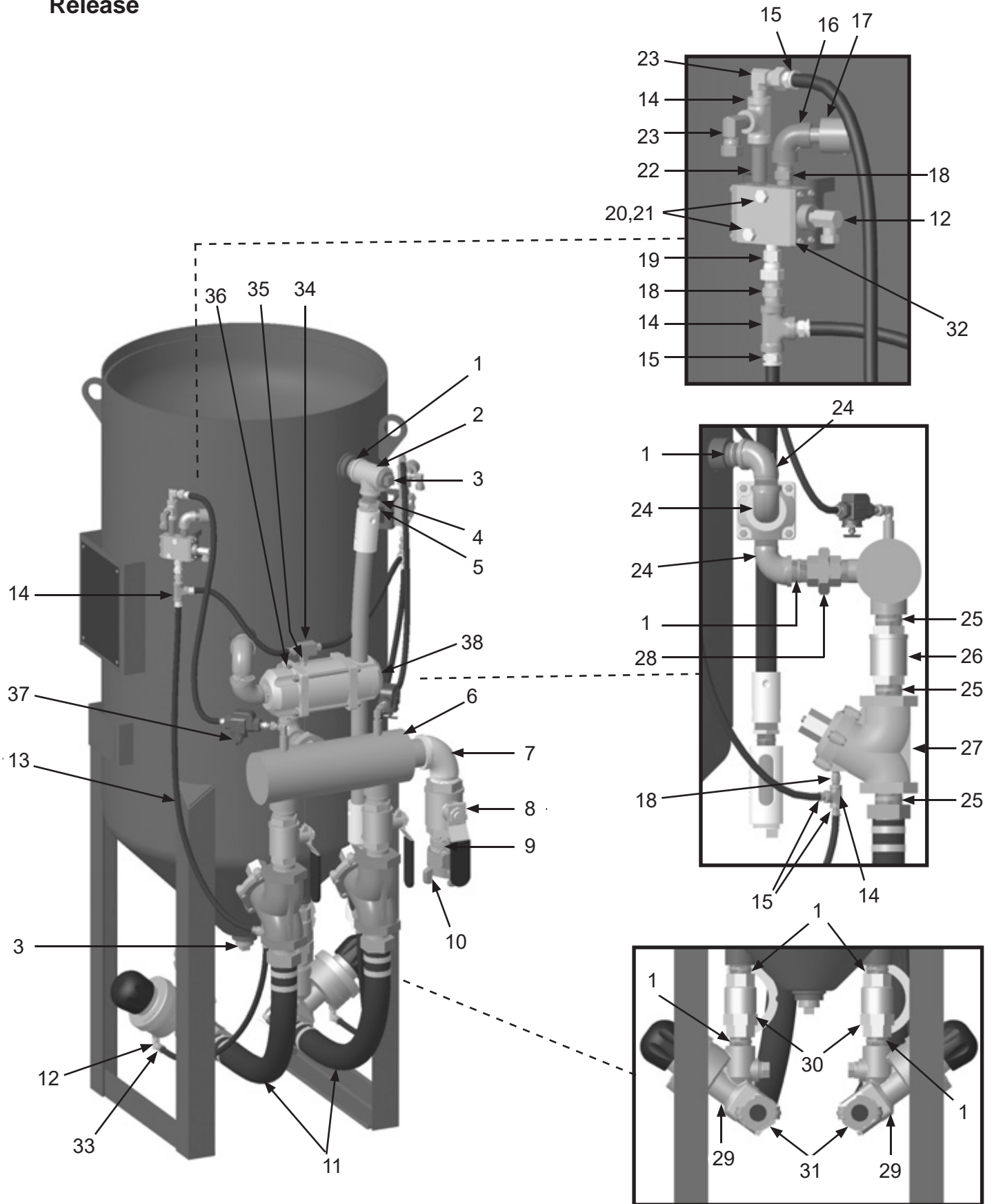
10.0 Cu. Ft. Abrasive Blasting Pot – Blastmaster® 123P Remote Control System – 1-1/2" Blastmaster® Maxum III Abrasive Metering Valve – Dual Outlet - Pressure Release

Item #	Part #	Description
Fig. 9		
1	1011201	1-1/4" Close Nipple – Galvanized (Seven Required)
2	1011817	1-1/4" x 1-1/4" x 1" Pipe Tee
3	1011902	1-1/4" Square Head Plug (Two Required)
4	1012151	1" Galvanized Close Nipple
5	1012157	1-1/4" x 1" NPT Bushing
6	10106863	Manifold
7	10101265	2" x 90° Steet Elbow
8	1011604	2" NPT Full Port Brass Ball Valve
9	1001806	2" Close Nipple
10	10ME5	2" NPT (F) 4-Lug Air Hose Coupling
11	—	1-1/2" Pusher Line Assembly (See Figure 11)
12	1014239	1/8" 90° Swivel Fitting (Four Required)
13	10AH025	Push On Air Hose 1/4" I.D. 250 psi
14	1011844	1/4" Pipe Tee – Galvanized (Six Required)
15	10PAF025	Push On Fitting 1/4" x 1/4" NPT (14 Required)
16	1011832	1/4" NPT 90° Pipe Nipple (Two Required)
17	10DE025	Dust Eliminator (Two Required)
18	1017019	Hex Nipple 1/4" x 1/4" (Eight Required)
19	10SME025	1/4" Straight Swivel (Two Required)
20	1019044	1/4-20 x 1-3/4" Zinc Bolt (Four Required)
21	1012323	1/4-20 Zinc Lock Nut with Nylon Insert (Four Required)
22	1011217	1/4" x 2" Pipe Nipple (Two Required)
23	1012326	90° Swivel 1/4" x 1/4" (Six Required)
24	1011802	1-1/4" Steet Elbow (Three Required)
25	1014015	1-1/2" Close Nipple (Six Required)

Item #	Part #	Description
26	1011603	1-1/2" NPT Full Port Brass Ball Valve (Two Required)
27	1013600	1-1/2" NPT High-flow GateKeeper Air Valve (Two Required) (See Figure 26)
28	1006502	1-1/4" Female Pipe Union
29	10101946	Maxum III Valve 1-1/2" Urethane (Two Required)
—	10101950	Maxum III Valve 1-1/2" Tungsten Carbide (Two Required)
30	1011606A	1-1/4" Union End Ball Valve (Two Required)
31	10SB2S	1-1/2" Straight Thread Coupling (Two Required)
32	1019000	190 Pneumatic Solenoid (Two Required)
33	10PAF0125	1/8" NPT x 1/4" Barb Push-On Air Hose Fitting (Two Required)
34	1070747	1/4" NPT Shuttle Valve
35	10PVFIT1	1/4" x 1/8" Hex Union
36	10105718	1/4" Hollow Hex Plug
37	10WS	Watts Strainer (Two Required)
38	1012300	Blastmaster® Tandem Valve – Complete
—	1012351	Blastmaster® 123P Remote Control System – Complete (See Figure 13)
—	1012350	Blowdown Hose Assembly
—	1091020	Warning Plate
—	1091025	Hazard Identification Tag
—	1091045	Hazard Identification Tag

PART NUMBERS AND SCHEMATICS

Figure 9: 10.0 Cu. Ft. Abrasive Blasting Pot – Blastmaster® 123P Remote Control System – 1-1/2” Blastmaster® Maxum III Abrasive Metering Valve – Dual Outlet - Pressure Release



PART NUMBERS AND SCHEMATICS

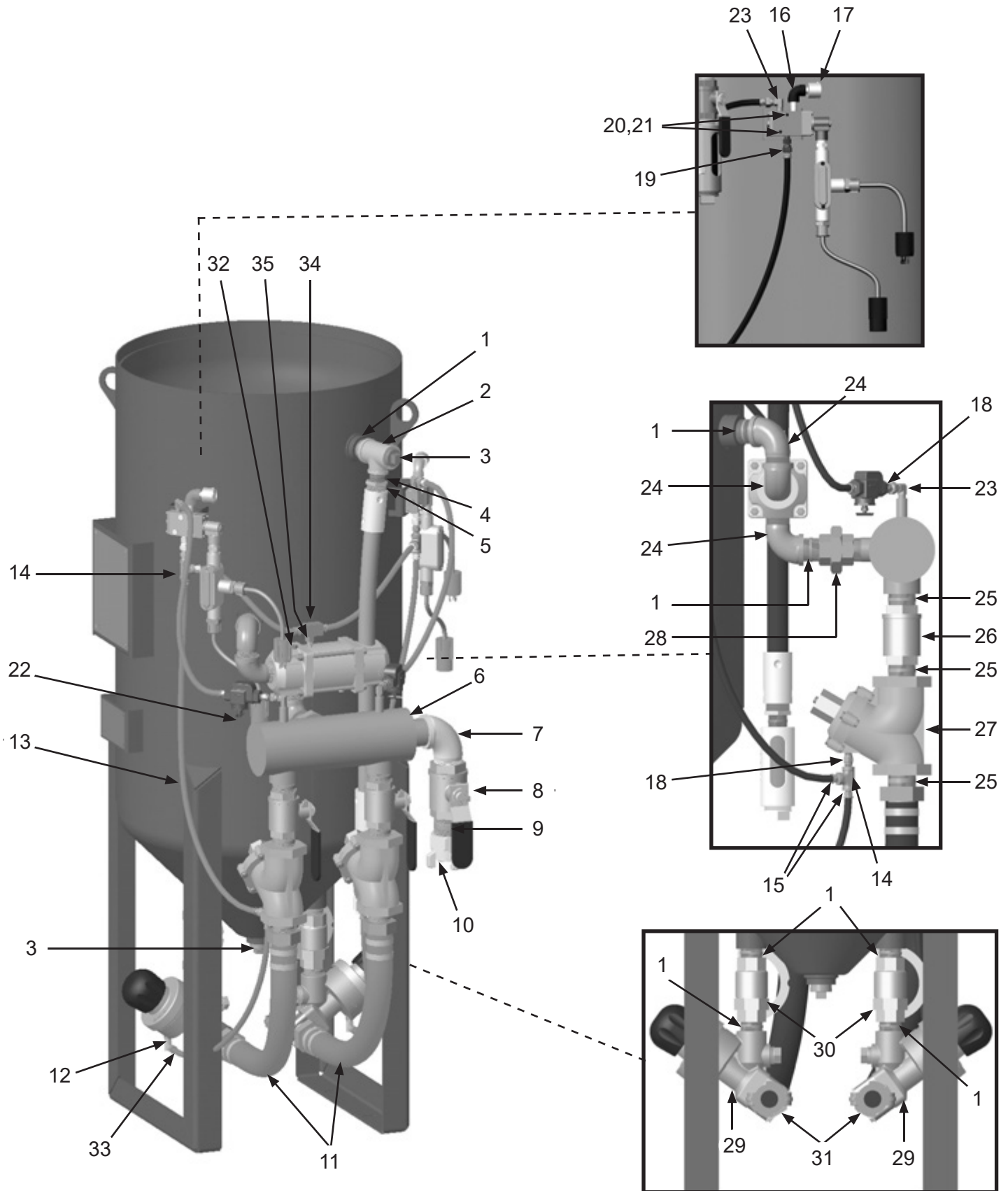
10.0 Cu. Ft. Abrasive Blasting Pot – Blastmaster® 123E Remote Control System – 1-1/2” Blastmaster® Maxum III Abrasive Metering Valve – Dual Outlet - Pressure Release

Item #	Part #	Description
Fig.10		
1	1011201	1-1/4" Close Nipple – Galvanized (Seven Required)
2	1011817	1-1/4" x 1-1/4" x 1" Pipe Tee
3	1011902	1-1/4" Square Head Plug (Two Required)
4	1012151	1" Galvanized Close Nipple
5	1012157	1-1/4" x 1" NPT Bushing (Two Required)
6	10106863	Manifold
7	10101265	2" x 90° Steet Elbow
8	1011604	2" NPT Full Port Brass Ball Valve
9	1001806	2" Close Nipple
10	10ME5	2" NPT (F) 4-Lug Air Hose Coupling
11	—	1-1/2" Pusher Line Assembly (See Figure 11)
12	1014239	1/8" 90° Swivel Fitting (Two Required)
13	10AH025	Push On Air Hose 1/4" I.D. 250 psi
14	1011844	1/4" Pipe Tee – Galvanized (Four Required)
15	10PAF025	Push On Fitting 1/4" x 1/4" NPT (14 Required)
16	1011832	1/4" NPT 90° Pipe Nipple (Two Required)
17	10DE025	Dust Eliminator (Two Required)
18	1017019	Hex Nipple 1/4" x 1/4" (Six Required)
19	10SME025	1/4" Straight Swivel (Two Required)
20	1019044	1/4-20 x 1-3/4" Zinc Bolt (Four Required)
21	1012323	1/4-20 Zinc Lock Nut with Nylon Insert (Four Required)
22	10WS	Watts Strainer (Two Required)
23	1012326	90° Swivel 1/4" x 1/4" (Four Required)
24	1011802	1-1/4" Steet Elbow (Three Required)
25	1014015	1-1/2" Close Nipple (Six Required)

Item #	Part #	Description
26	1011603	1-1/2" NPT Full Port Brass Ball Valve (Two Required)
27	1013600	1-1/2" NPT High-flow GateKeeper Air Valve (Two Required) (See Figure 26)
28	1006502	1-1/4" Female Pipe Union
29	10101946	Maxum III Valve 1-1/2" Urethane (Two Required)
—	10101950	Maxum III Valve 1-1/2" Tungsten Carbide (Two Required)
30	1011606A	1-1/4" Union End Ball Valve (Two Required)
31	10SB2S	1-1/2" Straight Thread Coupling (Two Required)
32	10105718	1/4" Hollow Hex Plug
33	10PAF0125	1/8" NPT x 1/4" Barb Push-On Air Hose Fitting (Two Required)
34	1070747	1/4" NPT Shuttle Valve
35	10PVFIT1	1/4" x 1/8" Hex Union
—	1012352	12-Volt DC Blastmaster® 123E Remote Control System - Complete (See Figure 15)
—	1012353	120-Volt AC Blastmaster® 123E Remote Control System – Complete (See Figure 16)
—	1012350	Blowdown Hose Assembly
—	1091025	Hazard Identification Tag
—	1091045	Hazard Identification Tag

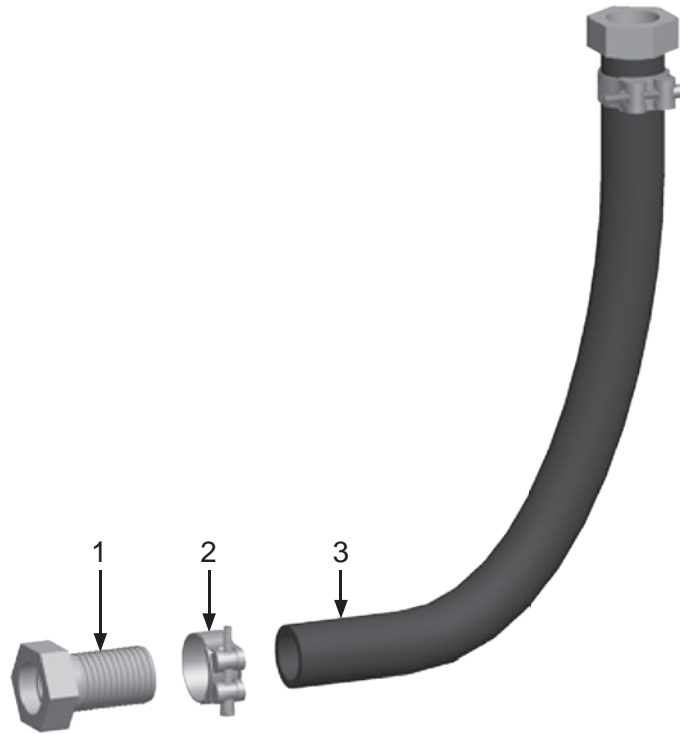
PART NUMBERS AND SCHEMATICS

Figure 10: 10.0 Cu. Ft. Abrasive Blasting Pot – Blastmaster® 123E Remote Control System – 1-1/2” Blastmaster® Maxum III Abrasive Metering Valve – Dual Outlet - Pressure Release



PART NUMBERS AND SCHEMATICS

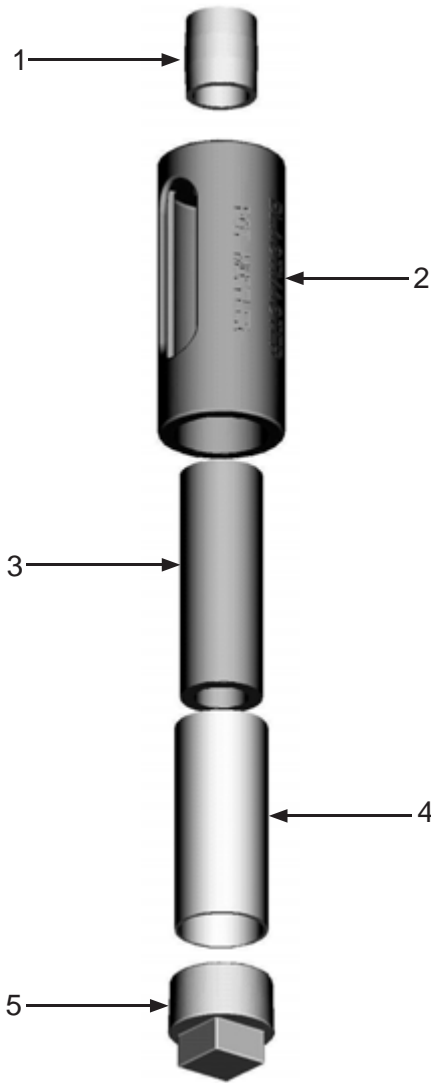
Figure 11: Pusher Line Assembly



Item #	Part #	Description
Fig. 11		
—	1006312	1-1/2" I.D. Pusher Line Assembly <i>Includes Item #: 1, 2, and 3 (Quantity of Three Feet)</i>
1	10SFE4	1-1/2" Female Swivel Air Hose End <i>(Two Required)</i>
2	10103738	1-1/2" T-Bolt Hose Clamp <i>(Two Required)</i>
3	10AH112B	1-1/2" I.D. Air Hose
—	10SFE4G	Gasket for 10SFE4 Swivel Air Hose End <i>(Not Shown)</i>
—	1090059	Technical Data Sheet – Pusher Line Assemblies

PART NUMBERS AND SCHEMATICS

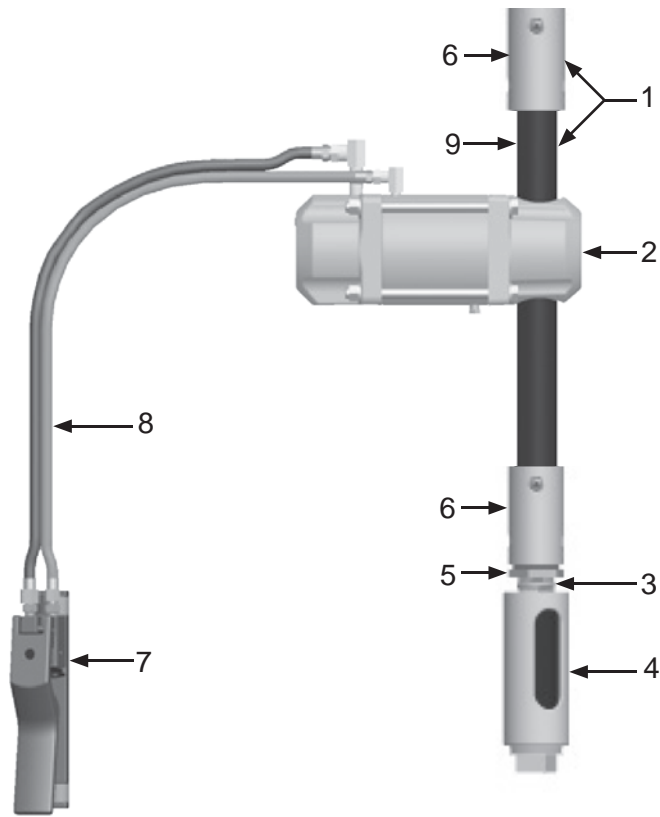
Figure 12: Exhaust Muffler Assembly



Item #	Part #	Description
Fig. 12		
—	1011100	Blast Pot Exhaust Muffler – Complete
1	1012151	1" Close Nipple
2	1011102	Body
3	1011103	Filter Element
4	1011104	Screen
5	1011101	1-1/2" Pipe Plug
—	1011105	Blast Pot Exhaust Muffler Service Kit <i>Includes Item #'s: 3 (Quantity of 3), 4, and 5</i>
—	106M347	Part Numbers and Schematics Guide – Blast Pot Exhaust Muffler

PART NUMBERS AND SCHEMATICS

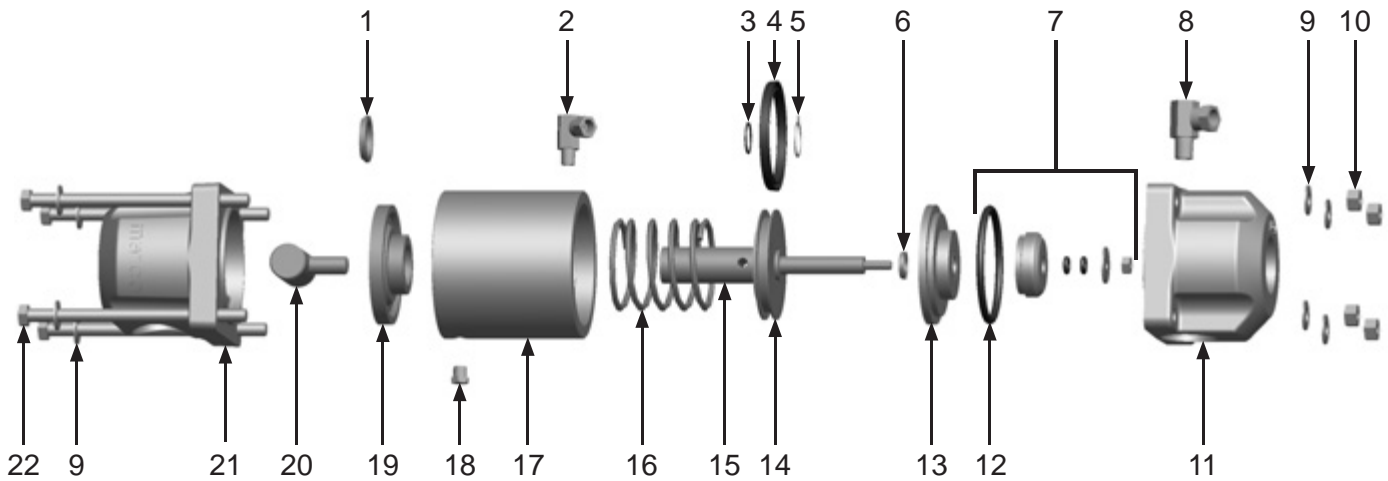
Figure 13: Blastmaster® 123P Remote Control System



Item #	Part #	Description
Fig.13		
—	1012351	Blastmaster® 123P Remote Control System – Complete
1	1012350	Blowdown Hose Assembly (Includes Item #'s: 6 and 9 (Quantity of Two Feet))
2	1012300	Tandem Remote Control Valve – Complete (See Figure 14)
3	1012151	1" Close Nipple
4	1011100	Blastmaster® Exhaust Muffler (See Figure 12)
5	1012157	1-1/4" x 1" Bushing
6	10NHA1	1-1/4" Aluminum Nozzle Holder
7	1015200	Blastmaster® 152P Remote Control Switch
8	1016000	55 Feet of Coupled Control Line with 1/4" and 1/8" Fittings
9	10BH0342BR	3/4" I.D. Abrasive Blasting Hose (sold per foot)
—	106M007	Part Numbers & Schematics Guide – Blastmaster® 123P Remote Control System
—	106M068	Part Numbers & Schematics Guide – Blastmaster® 152P Remote Control Switch
—	1090007	Operator's Manual – Blastmaster® 123P Remote Control System
—	1090068	Operator's Manual – Blastmaster® 152P Remote Control Switch

PART NUMBERS AND SCHEMATICS

Figure 14: Tandem Remote Control Valve



Item #	Part #	Description
Fig. 14		
—	1012300	Tandem Remote Control Valve – Complete
1	1012308	Seal – Upper Rod Guide
2	1014239	1/8" 90° Swivel Fitting
3	1012312	O-ring – Shaft
4	1012317	Seal – Piston
5	1012313	13/16" External Snap Ring
6	1012314	Seal – Lower Rod Guide
7	1012322	Valve Plug Assembly <i>(Includes Item #12)</i>
8	1012326	1/4" 90° Swivel Fitting
9	1014241	3/8" Washer <i>(Eight Required)</i>
10	1012318	3/8-16 Nut <i>(Four Required)</i>
11	1012321	Base
12	1012320	O-ring – Lower Rod Guide
13	1012319	Lower Rod Guide
14	1012315	Piston
15	1012316	Shaft
16	1012309	Spring
17	1012311	Cylinder
18	1012905	1/8" Breather Muffler
19	1012307	Upper Rod Guide
20	1012306	Pinch Ram
21	1012305	Cap
22	1012310	3/8-16 x 6" Bolt <i>(Four Required)</i>
—	1012301	Tandem Remote Control Valve Repair Kit <i>(Includes Item #'s: 1, 3–7, and 12)</i>
—	1091072	Hazard Identification Tag

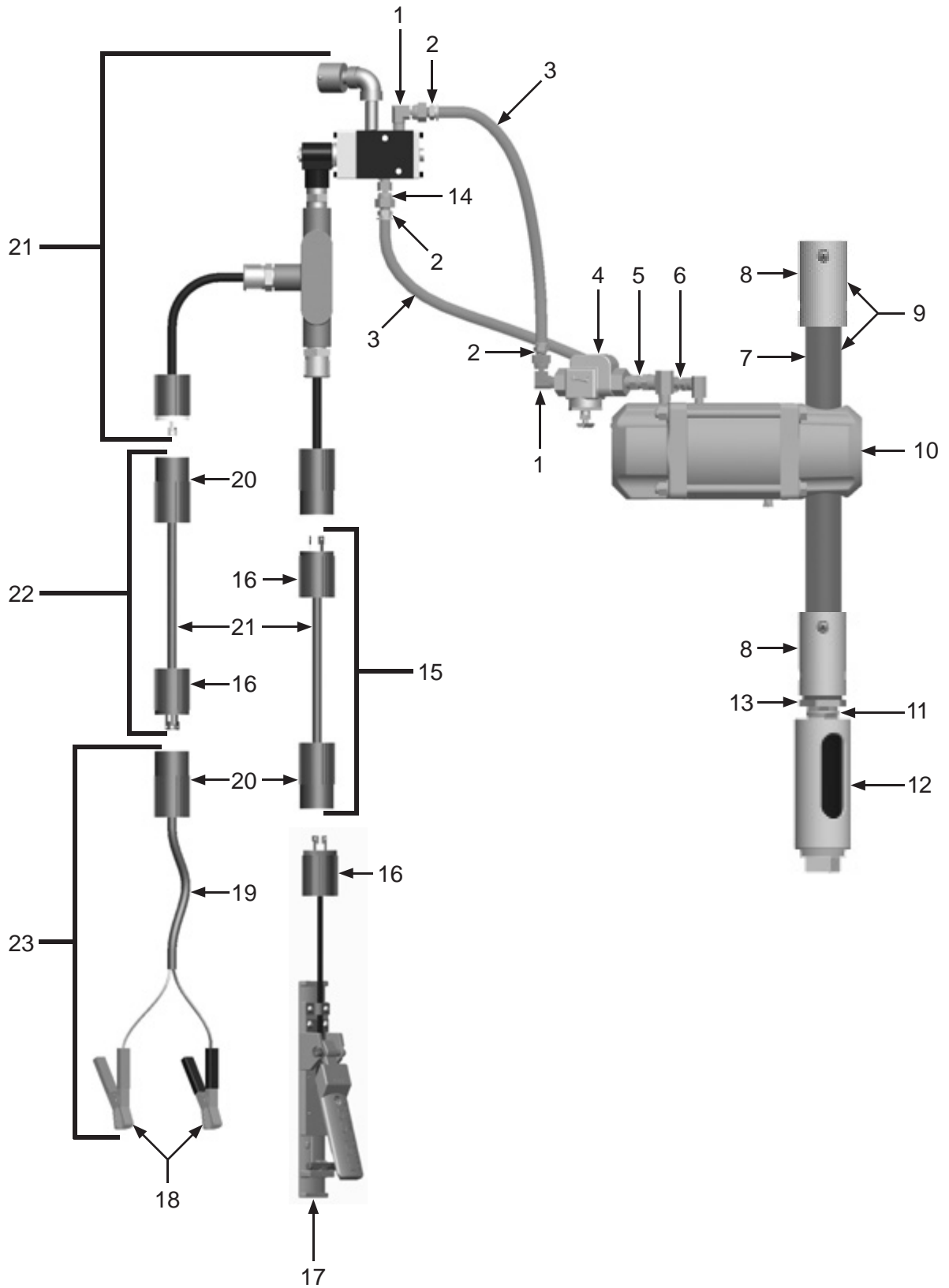
PART NUMBERS AND SCHEMATICS

12-Volt DC Blastmaster® 123E Remote Control System

Item #	Part #	Description
Fig. 15		
—	1012352	12-Volt DC Blastmaster® 123E Remote Control System – Complete
1	1012326	1/4" 90° Swivel Fitting <i>(Two Required)</i>
2	10PAF025	1/4" NPT x 1/4" Barb Push-on Air Hose Fitting <i>(Three Required)</i>
3	10AH025	1/4" I.D. Push-on Air Hose <i>(Six Feet Required)</i>
4	10WS	Watts Strainer
5	1017019	1/4" Hex Nipple
6	10PAF0125	1/8" NPT x 1/4" Barb Push-on Air Hose Fitting
7	10BH0342BR	3/4" I.D. Abrasive Blasting Hose <i>(Per Foot)</i>
8	10NHA1	1-1/4" Aluminum Nozzle Holder <i>(Two Required)</i>
9	1012350	Blowdown Hose Assembly <i>(Includes Item #'s: 7 (Quantity of Two Feet) and 8)</i>
10	1012300	Tandem Remote Control Valve – Complete <i>(See Figure 14)</i>
11	1012151	1" Close Nipple
12	1011100	Blastmaster® Exhaust Muffler <i>(See Figure 12)</i>
13	1012157	1-1/4" x 1" Bushing
14	10SME025	1/4" Straight Swivel Fitting
15	1015545	50 Feet of Control Line with Male and Female 3-prong Twist-Lock Plugs <i>(Includes Item #'s: 16, 20 (Quantity of 50 Feet), and 21)</i>
16	1015555	3-prong Twist-Lock Plug – Male
17	1015100	Blastmaster® 151E Remote Control Switch - Complete
18	1030718	Battery Clamp (Pair)
19	1015540	16/2 Power Cord <i>(Per Foot)</i>
20	1015556	3-prong Twist Lock Plug – Female
21	1019051	12-Volt DC 190 Electric Control System <i>(See Figure 27)</i>
22	1015546	25 Feet of Power Cord with Male and Female 3-prong Twist-Lock Plugs <i>(Includes Item #'s: 16, 20 (Quantity of 25 Feet), and 21)</i>
23	1015544	Battery Clamp Kit <i>(Includes Item #'s: 18, 19 (Quantity of Two Feet), and 20)</i>
—	106M063	Part Numbers & Schematics Guide – Blastmaster® 151E Remote Control Switch
—	106M089	Part Numbers & Schematics Guide – Blastmaster® 123E Remote Control System
—	1090063	Operator's Manual – Blastmaster® 151E Remote Control Switch
—	1090089	Operator's Manual – Blastmaster® 123E Remote Control System

PART NUMBERS AND SCHEMATICS

Figure 15: 12-Volt DC Blastmaster® 123E Remote Control System



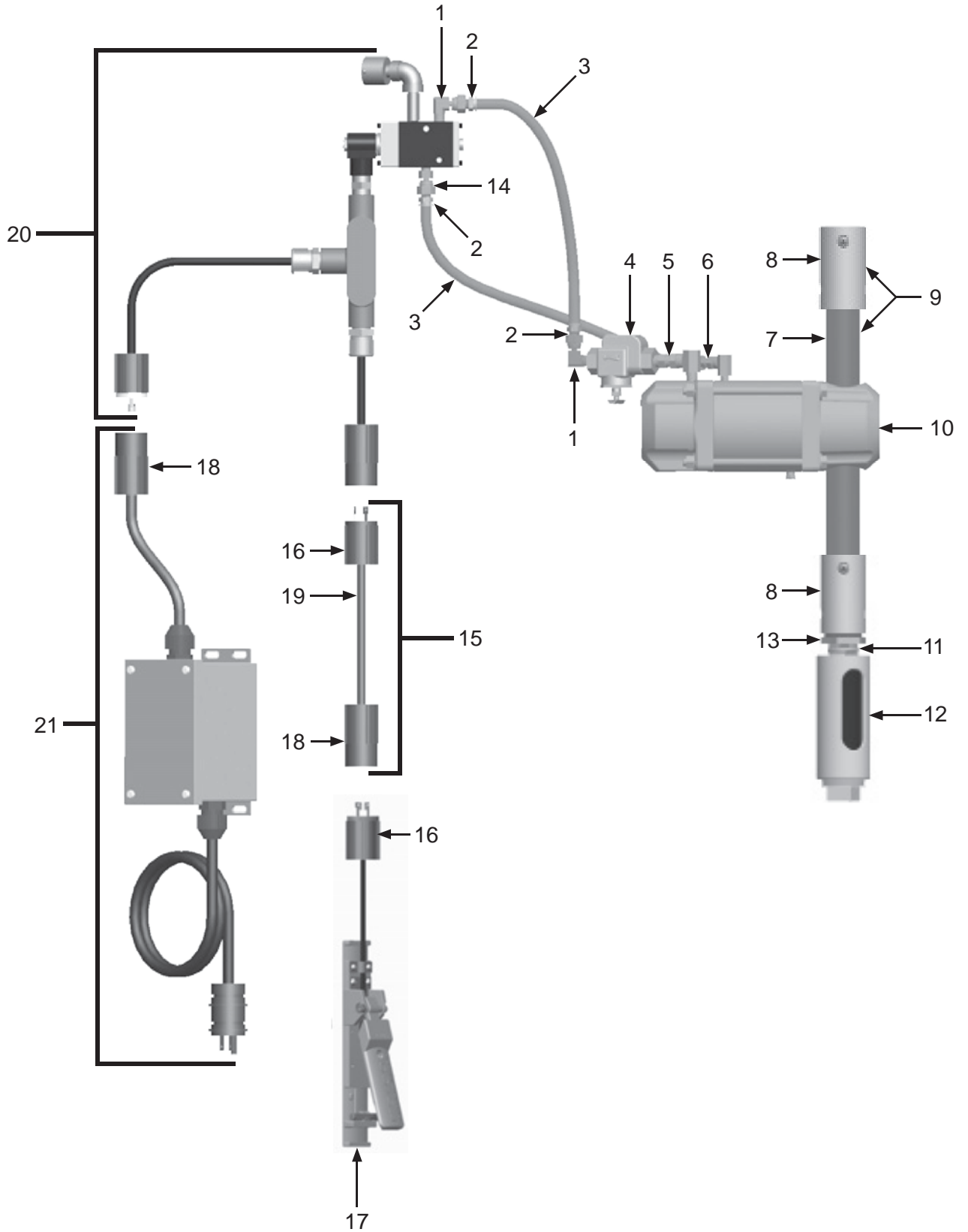
PART NUMBERS & SCHEMATICS

120-Volt AC Blastmaster® 123E Remote Control System

Item #	Part #	Description
Fig. 16		
—	1012353	120-Volt AC Blastmaster® 123E Remote Control System – Complete
1	1012326	1/4" 90° Swivel Fitting (<i>Two Required</i>)
2	10PAF025	1/4" NPT x 1/4" Barb Push-on Air Hose Fitting (<i>Three Required</i>)
3	10AH025	1/4" I.D. Push-on Air Hose (<i>Six Feet Required</i>)
4	10WS	Watts Strainer
5	1017019	1/4" Hex Nipple
6	10PAF0125	1/8" NPT x 1/4" Barb Push-on Air Hose Fitting
7	10BH0342BR	3/4" I.D. Abrasive Blasting Hose (<i>Per Foot</i>)
8	10NHA1	1-1/4" Aluminum Nozzle Holder (<i>Two Required</i>)
9	1012350	Blowdown Hose Assembly (<i>Includes Item #'s: 7 (Quantity of Two Feet) and 8</i>)
10	1012300	Tandem Remote Control Valve – Complete (<i>See Figure 14</i>)
11	1012151	1" Close Nipple
12	1011100	Blastmaster® Exhaust Muffler (<i>See Figure 12</i>)
13	1012157	1-1/4" x 1" Bushing
14	10SME025	1/4" Straight Swivel Fitting
15	1015545	50 Feet of Control Line with Male and Female Twist-Lock Plugs (<i>ncludes Item #'s: 16 ,18, and 19 (Quantity of 50 Feet)</i>)
16	1015555	3-prong Twist-Lock Plug – Male
17	1015100	Blastmaster® 151E Remote Control Switch – Complete
18	1015556	3-prong Twist Lock Plug – Female
19	1015540	16/2 Power Cord (<i>Per Foot</i>)
20	1019052	12-Volt AC 190 Electric Control System (<i>See Figure 29</i>)
21	1030020	Marco 120-Volt AC to 12-Volt AC Power Converter (<i>See Figure 31</i>)
—	106M063	Part Numbers & Schematics Guide – Blastmaster® 151E Remote Control Switch
—	106M089	Part Numbers & Schematics Guide – Blastmaster® 123E Remote Control System
—	1090063	Operator's Manual – Blastmaster® 151E Remote Control Switch
—	1090089	Operator's Manual – Blastmaster® 123E Remote Control System

PART NUMBERS & SCHEMATICS

Figure 16: 120-Volt AC Blastmaster® 123E Remote Control System



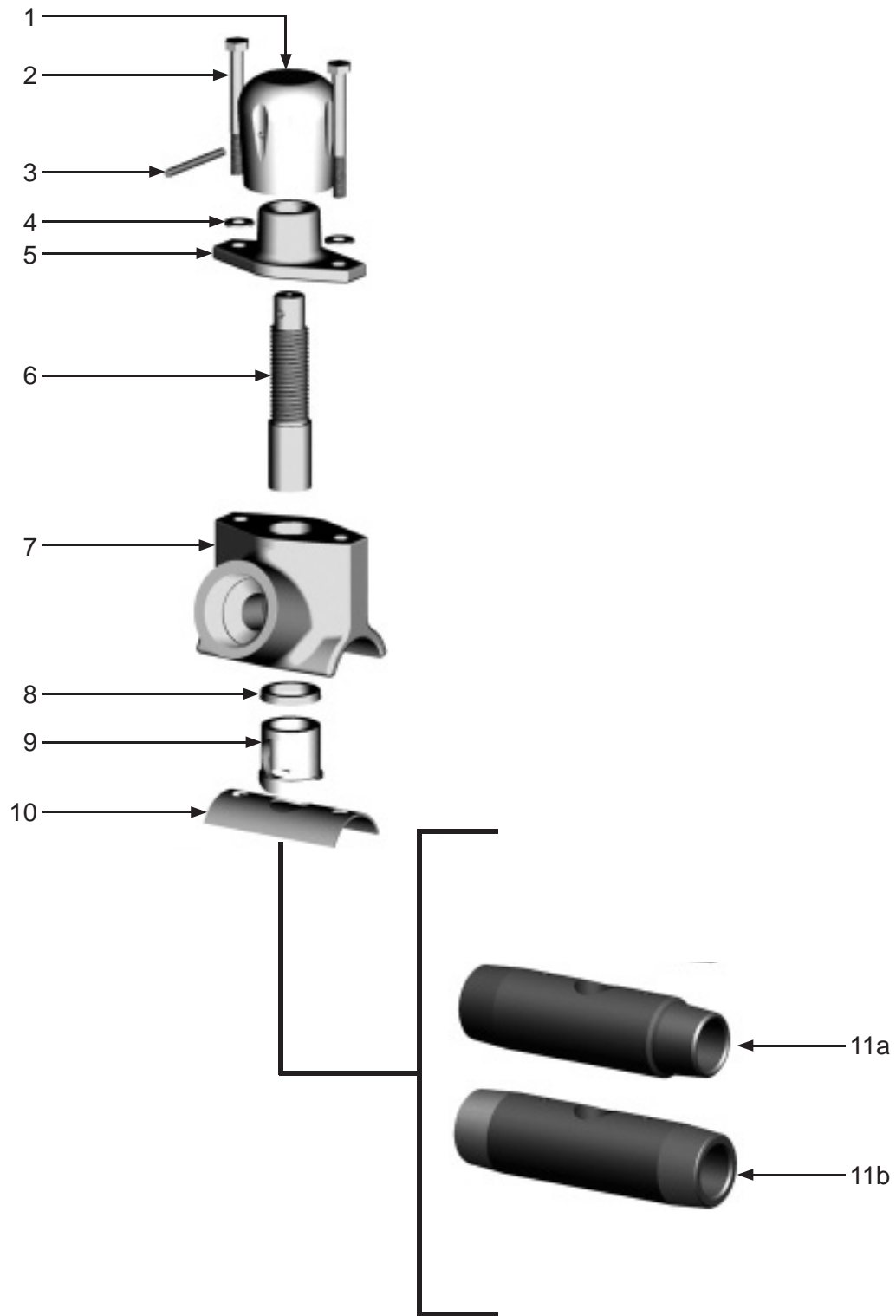
PART NUMBERS AND SCHEMATICS

Blastmaster® Bantam Abrasive Metering Valve

Item #	Part #	
Fig. 17		
—	1014101	1-1/4" Blastmaster® Bantam Abrasive Metering Valve – Complete
—	1014102	1-1/2" Blastmaster® Bantam Abrasive Metering Valve – Complete
1	1014110	Metering Knob
2	1014112	5/16-18 x 3-1/4" Hex Bolt (<i>Two Required</i>)
3	1014111	Knob Pin
4	10L805003	5/16" Washer (<i>Two Required</i>)
5	1014113	Cap
6	1014114	Plunger
7	1014115	Valve Body
8	1014219	Plunger Seal
9	1014117	Urethane Sleeve
10	1014118	Gasket
11a	1014120	1-1/4" Male x 1-1/2" Male Nipple
11b	1014121	1-1/2" Male x 1-1/2" Male Nipple
—	1014123	Repair Kit (<i>Includes Item #'s: 2,6,8,9, and 10</i>)
—	1014116	Soft Seal Kit (<i>Includes Item #'s: 8, 9, and 10</i>)
—	1011812	1" Male x 1/2" Female NPT Bushing (<i>For use with 1014103</i>)
—	10SB2S	1-1/2" NPS Brass Tank Coupling (<i>For use with 1014100, 1014101, 1014102</i>)
—	106M022	Part Numbers and Schematics Guide – Blastmaster® Bantam Abrasive Metering Valve
—	1090022	Operator's Manual – Blastmaster® Bantam Abrasive Metering Valve
—	1091045	Warning Tag

PART NUMBERS AND SCHEMATICS

Figure 17: Blastmaster® Bantam Abrasive Metering Valve



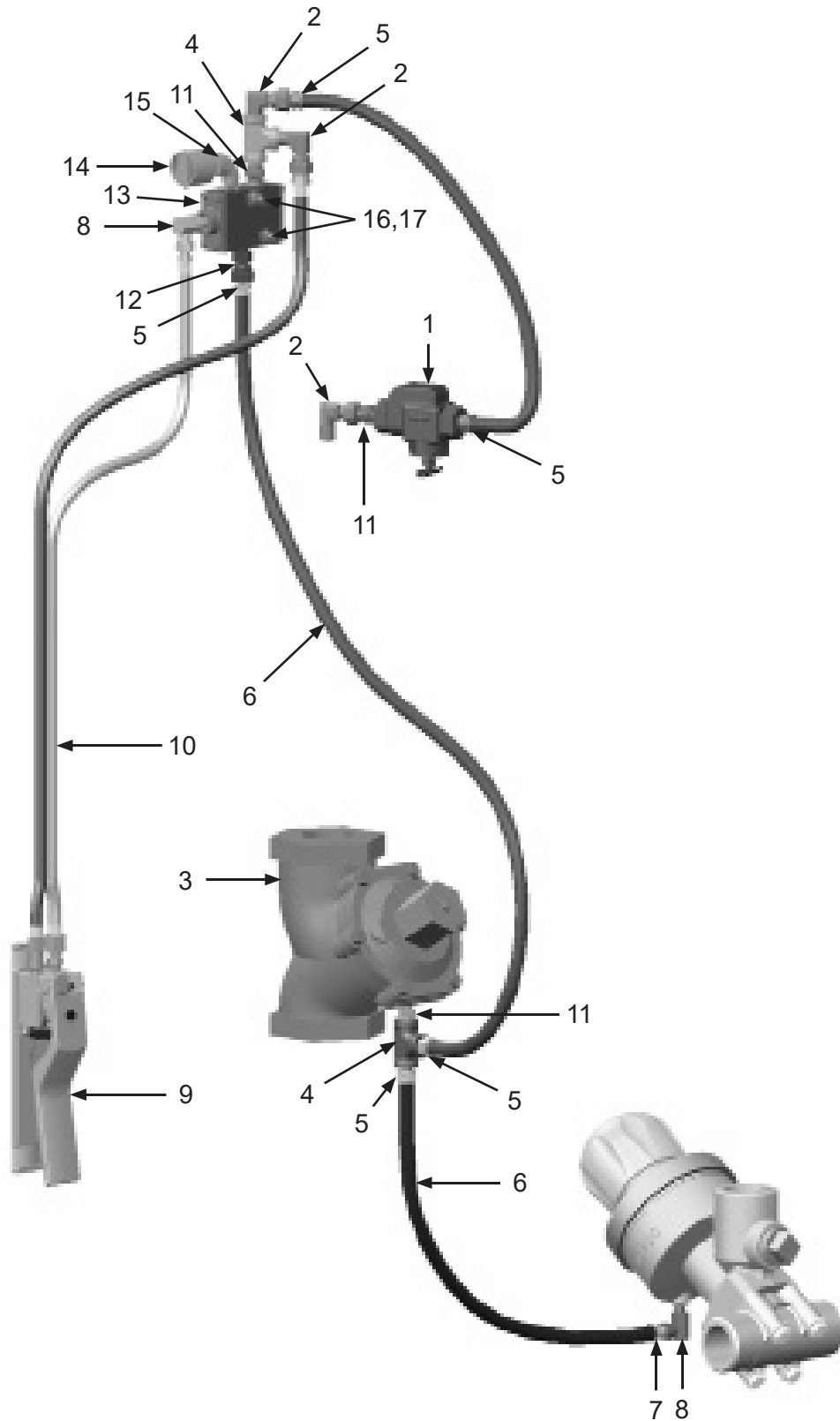
PART NUMBERS AND SCHEMATICS

Blastmaster® 130P Remote Control System

Item #	Part #	Description
Fig. 18		
—	10103834	Blastmaster® 130P Remote Control System — Complete
1	10WS	Watts Strainer
2	1012326	1/4" Swivel 90° Fitting (<i>Three Required</i>)
3	1013600	1-1/2" NPT High-flow GateKeeper Air Valve
4	1011844	1/4" NPT Pipe Tee (<i>Two Required</i>)
5	10PAF025	1/4" Push-On Hose Fitting (<i>Five Required</i>)
6	10AH025	1/4" Push-On Air Hose (<i>Per Foot</i>)
7	10PAF0125	1/8" Push-On Air Hose Fitting
8	1014239	1/8" 90° Swivel Fitting (<i>Two Required</i>)
9	1015200	Blastmaster® 152P Remote Control Switch
10	1016000	55 ft. of Pneumatic Control Line with 1/4" & 1/8" Male and Female Fittings
11	1017019	1/4" x 1/4" Hex Nipple (<i>Three Required</i>)
12	10SME025	1/4" Straight Swivel
13	1019000	190 Pneumatic Solenoid
14	10DE025	1/4" NPT Dust Eliminator
15	1011824	1/4" Street Elbow
16	1019044	1/4-20 x 1-3/4" Zinc Bolt (<i>Two Required</i>)
17	1012323	1/4-20 Zinc Lock Nut with Nylon (<i>Two Required</i>)
—	1091045	Hazard Identification Tag

PART NUMBERS AND SCHEMATICS

Figure 18: Blastmaster® 130P Remote Control System



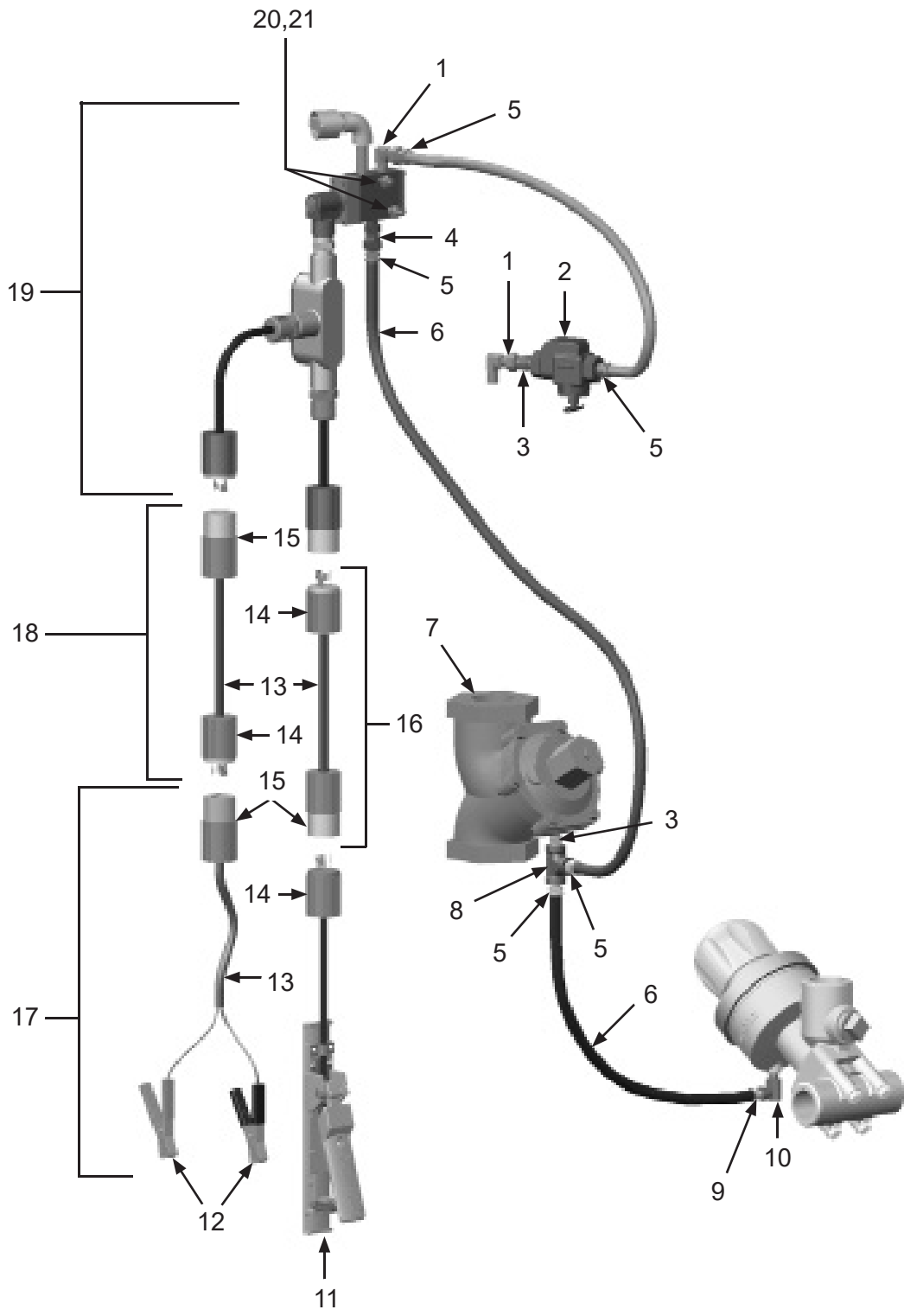
PART NUMBERS AND SCHEMATICS

12-Volt DC Blastmaster® 130E Remote Control System

Item #	Part #	Description
Fig. 19		
—	10103835	12-Volt DC Blastmaster® 130E Remote Control System – Complete
1	1012326	1/4" NPT Swivel 90° Fitting <i>(Two Required)</i>
2	10WS	Watts Strainer
3	1017019	1/4" NPT Hex Nipple <i>(Two Required)</i>
4	10SME025	1/4" Straight Swivel
5	10PAF025	1/4" NPT x 1/4" Barb Push-On Hose Fitting <i>(Five Required)</i>
6	10AH025	1/4" Push-On Air Hose <i>(Per Foot)</i>
7	1013600	1-1/2" NPT High-flow GateKeeper Air Valve
8	1011844	1/4" NPT Pipe Tee
9	10PAF0125	1/8" NPT x 1/4" Barb Push-On Air Hose Fitting
10	1014239	1/8" 90° Swivel Fitting
11	1015100	Blastmaster® 151E Remote Control Switch
12	1030718	Battery Clamps – pair
13	1015540	16/2 Power Cord <i>(Per Foot)</i>
14	1015555	3-prong Twist-Lock Plug – Male
15	1015556	3-prong Twist-Lock Plug – Female
16	1015545	50' of 16/2 SJ Power Cord with 3-prong Twist-Lock Plugs <i>(Includes Item #'s: 15, 16, and 14 (Quantity of 50 Feet))</i>
17	1015544	Battery Clamp Kit with 3-prong Twist-Lock Plug Installed <i>(Includes Item #'s: 13, 16, and 14 (Quantity of Two Feet))</i>
18	1015546	16/2 SJ Power Cord with 3-prong Twist-Lock Plugs Installed <i>(Includes Item #'s: 15, 16, and 14 (Quantity of 25 Feet))</i>
19	1019051	12-Volt DC 190 Electric Control Assembly
20	1019044	1/4-20 x 1-3/4" Zinc Bolt <i>(Two Required)</i>
21	1012323	1/4"-20 Zinc Lock Nut with Nylon <i>(Two Required)</i>
—	1091045	Hazard Identification Tag

PART NUMBERS AND SCHEMATICS

Figure 19: 12-Volt DC Blastmaster® 130E Remote Control System



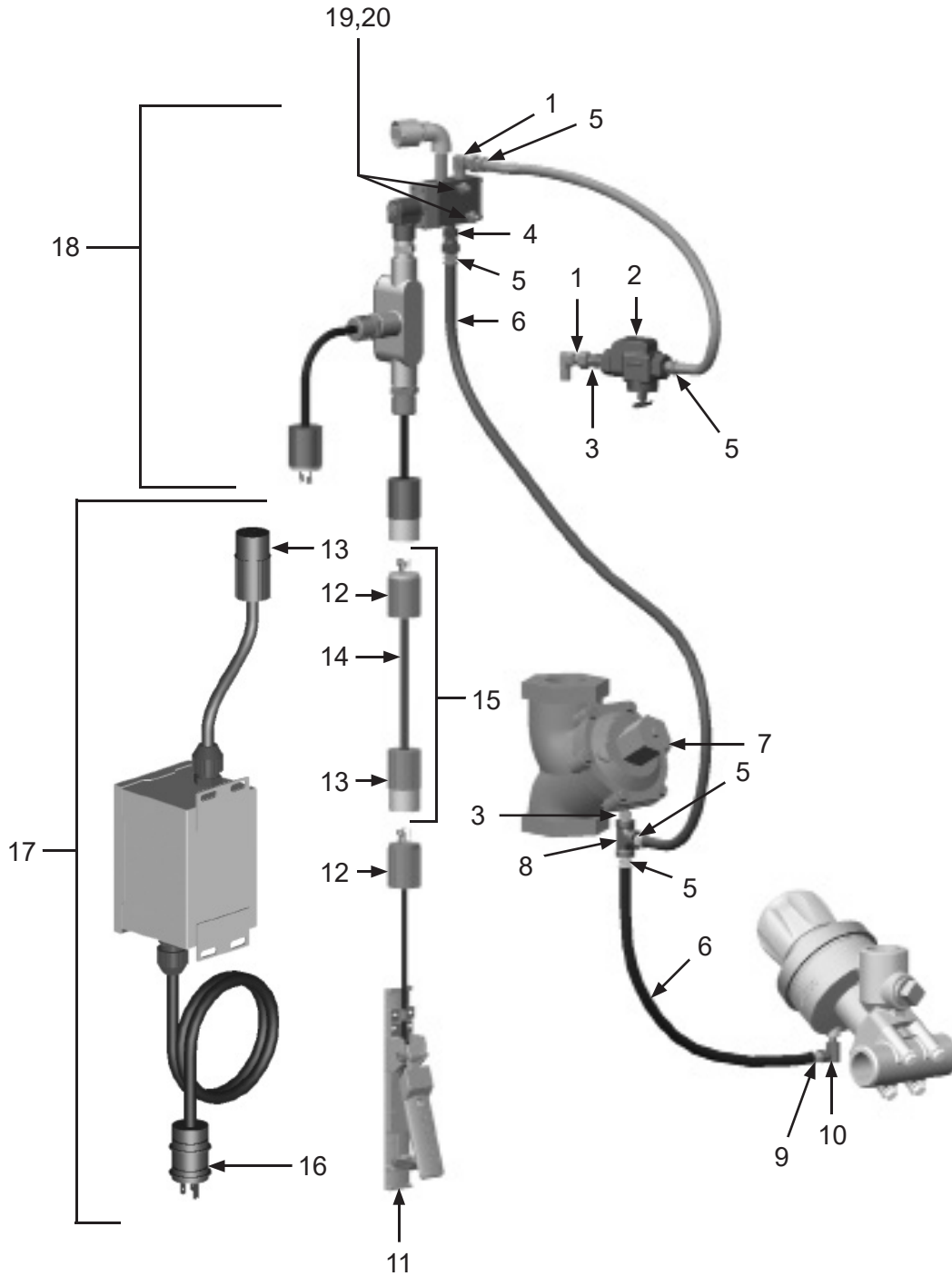
PART NUMBERS AND SCHEMATICS

120-Volt AC Blastmaster® 130E Remote Control System

Item #	Part #	Description
Fig. 20		
—	10103836	120-Volt AC Blastmaster® 130E Remote Control System – Single Outlet – Complete
1	1012326	1/4" NPT Swivel 90° Fitting (<i>Two Required</i>)
2	10WS	Watts Strainer
3	1017019	1/4" NPT Hex Nipple (<i>Two Required</i>)
4	10SME025	1/4" Straight Swivel
5	10PAF025	1/4" NPT x 1/4" Barb Push-On Hose Fitting (<i>Five Required</i>)
6	10AH025	1/4" Push-On Air Hose (<i>Per Foot</i>)
7	1013600	1-1/2" NPT High-flow GateKeeper Air Valve
8	1011844	1/4" NPT Pipe Tee
9	10PAF0125	1/8" NPT x 1/4" Barb Push-On Air Hose Fitting
10	1014239	1/8" 90° Swivel Fitting
11	1015100	Blastmaster® 151E Remote Control Switch
12	1015555	3-Prong Twist-Lock Plug – Male (<i>Two Required</i>)
13	1015556	3-Prong Twist-Lock Plug – Female
14	1015540	16/2 Power Cord (<i>Per Foot</i>)
15	1015545	50' of 16/2 SJ Power Cord with 3-prong Twist-Lock Plugs Installed (<i>Includes Item #'s: 13, 14, and 15 (Quantity of 50 Feet)</i>)
16	1030026	120-Volt 3-prong Standard Male Plug
17	10100713	3 Amp 120-Volt AC to 12-Volt AC Power Converter (<i>Includes Item #'s: 14 and 17</i>)
18	1019052	12-Volt DC 190 Electric Control Assembly
19	1019044	1/4-20 x 1-3/4" Zinc Bolt (<i>Two Required</i>)
20	1012323	1/4-20 Zinc Lock Nut with Nylon (<i>Two Required</i>)
—	1091045	Hazard Identification Tag

PART NUMBERS AND SCHEMATICS

Figure 20: 120-Volt AC Blastmaster® 130E Remote Control System



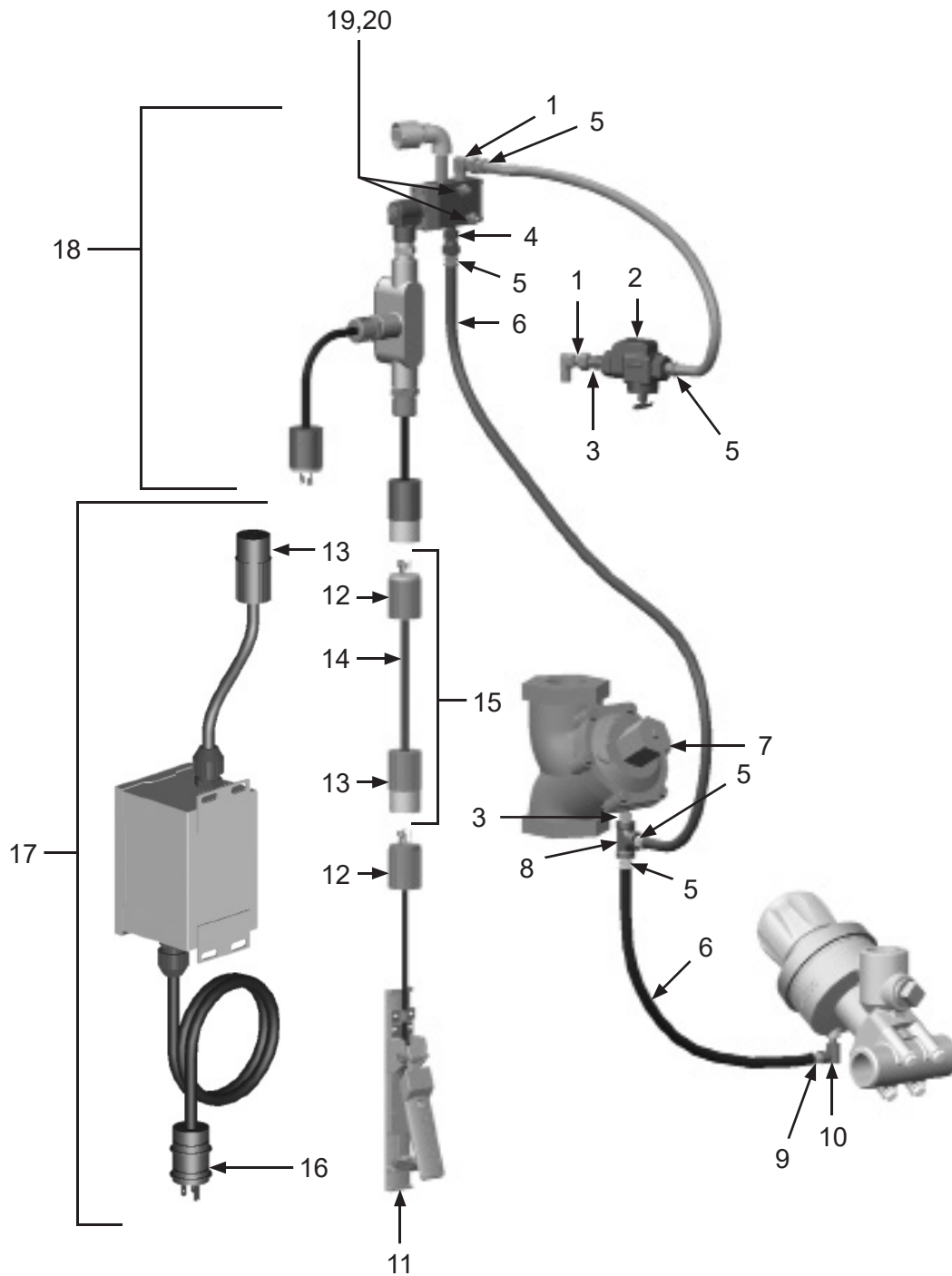
PART NUMBERS AND SCHEMATICS

120-Volt AC Blastmaster® 130E Remote Control System - Multiple Outlet

Item #	Part #	Description
Fig. 21		
—	10103870	120-Volt AC Blastmaster® 130E Remote Control System – 2-Outlet Complete
1	1012326	1/4" NPT Swivel 90° Fitting <i>(Two Required)</i>
2	10WS	Watts Strainer
3	1017019	1/4" NPT Hex Nipple <i>(Two Required)</i>
4	10SME025	1/4" Straight Swivel
5	10PAF025	1/4" NPT x 1/4" Barb Push-On Hose Fitting <i>(Five Required)</i>
6	10AH025	1/4" Push-On Air Hose <i>(Per Foot)</i>
7	1013600	1-1/2" NPT High-flow GateKeeper Air Valve
8	1011844	1/4" NPT Pipe Tee
9	10PAF0125	1/8" NPT x 1/4" Barb Push-On Air Hose Fitting
10	1014239	1/8" 90° Swivel Fitting
11	1015100	Blastmaster® 151E Remote Control Switch
12	1015555	3-Prong Twist-Lock Plug – Male <i>(Two Required)</i>
13	1015556	3-Prong Twist-Lock Plug – Female
14	1015540	16/2 Power Cord <i>(Per Foot)</i>
15	1015545	50' of 16/2 SJ Power Cord with 3-Prong Twist-Lock Plugs Installed <i>(Includes Item #'s: 13, 14, and 15 (Quantity of 50 Feet))</i>
16	1030026	120-Volt 3-Prong Standard Male Plug
17	10100713	3 Amp 120-Volt AC to 12-Volt AC Power Converter <i>(Includes Item #'s: 14 and 17)</i>
18	1019052	12-Volt DC 190 Electric Control Assembly
19	1019044	1/4-20 x 1-3/4" Zinc Bolt <i>(Two Required)</i>
20	1012323	1/4"-20 Zinc Lock Nut with Nylon <i>(Two Required)</i>
—	1091045	Hazard Identification Tag

PART NUMBERS AND SCHEMATICS

Figure 21: 120-Volt AC Blastmaster® 130E Remote Control System - Multiple Outlet



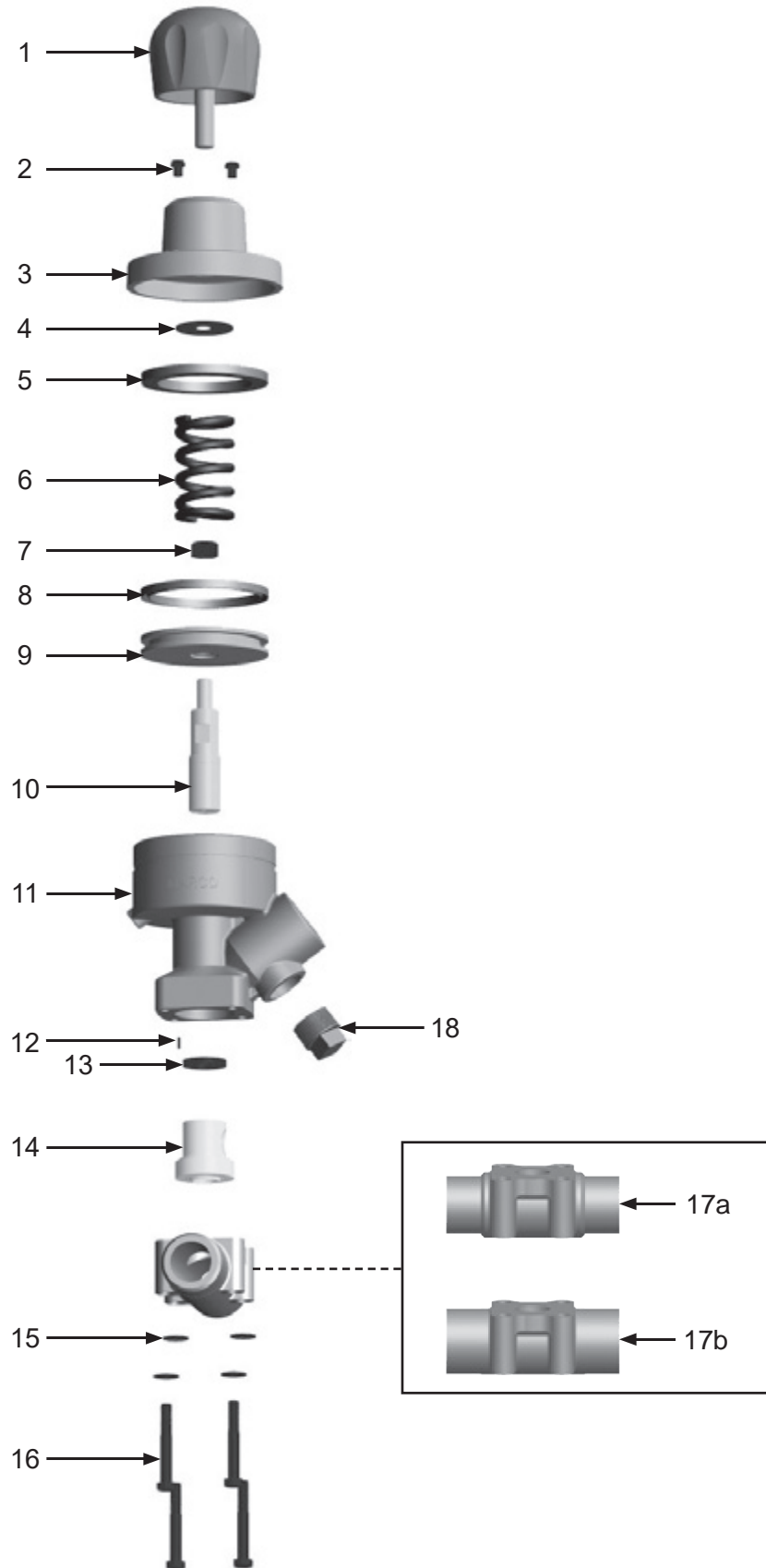
PART NUMBERS AND SCHEMATICS

Blastmaster® Maxum III Abrasive Metering Valve – Urethane Sleeve

Item #	Part #	Description
Fig. 22		
—	10101945	1-1/4" Blastmaster® Maxum III Abrasive Metering Valve – Urethane Sleeve – Complete
—	10101946	1-1/2" Blastmaster® Maxum III Abrasive Metering Valve – Urethane Sleeve – Complete
1	10101969	Knob
2	1012905	1/8" Breather Muffler <i>(Two Required)</i>
3	1014211	Cap
4	10106831	Vibration Disc
5	1014212	Bump Ring
6	1014213	Spring
7	1014022	1/2–13 Nut
8	1014215	Piston Seal
9	1014216	Piston
10	1014217	Tungsten Carbide Plunger
11	10101772	Body
12	1014240	3/32" x 3/8" Groove Pin
13	10103977	Heavy-Duty Plunger Seal
14	1014229	Urethane Sleeve
15	1014241	3/8" Washer <i>(Four Required)</i>
16	10101933	3/8–16 x 2-1/2" Bolt <i>(Four Required)</i>
17a	10000229	1-1/4" Base, Through Hardened <i>(For use with 10101945)</i>
17b	10000230	1-1/2" Base, Through Hardened <i>(For use with 10101946)</i>
18	1011901	1" Square Pipe Plug
—	1014244	Repair Kit with Urethane Sleeve <i>(Includes Item #'s: 8, 10, 13 and 14)</i>
—	1014222	Soft Seal Kit <i>(Includes Item #'s: 8, 13, and 14)</i>
—	1091045	Hazard Identification Tag

PART NUMBERS AND SCHEMATICS

Figure 22: Blastmaster® Maxum III Abrasive Metering Valve – Urethane Sleeve



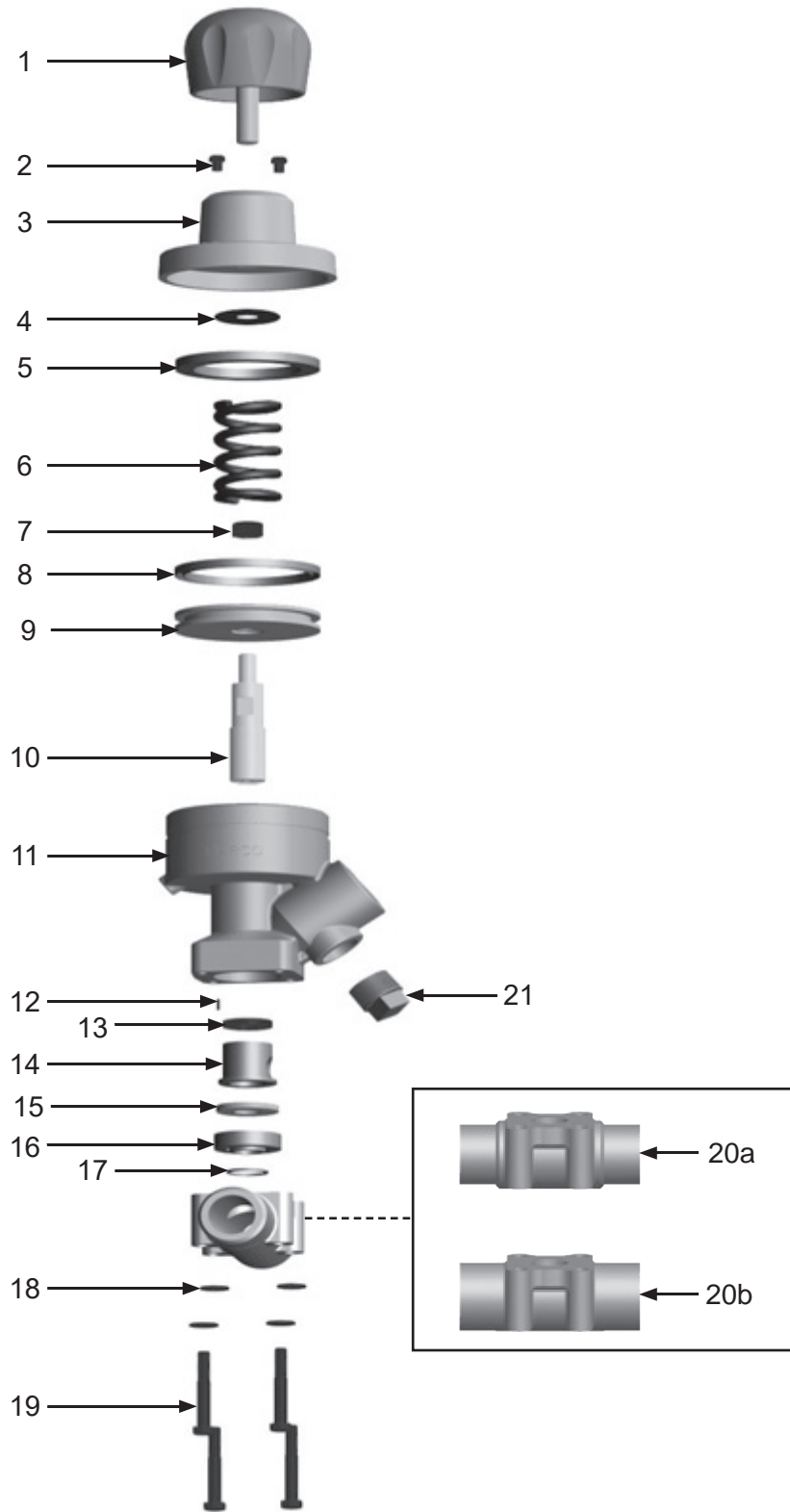
PART NUMBERS AND SCHEMATICS

Blastmaster® Maxum III Abrasive Metering Valve

Item #	Part #	Description
Fig. 23		
—	10101949	1-1/4" Blastmaster® Maxum III Abrasive Metering Valve – Tungsten Carbide Sleeve – Complete
—	10105907	1-1/4" Blastmaster® Maxum III Abrasive Metering Valve – Multi-port Sleeve – Complete
—	10101950	1-1/2" Blastmaster® Maxum III Abrasive Metering Valve – Tungsten Carbide Sleeve – Complete
—	10105908	1-1/2" Blastmaster® Maxum III Abrasive Metering Valve – Multi-port Sleeve – Complete
1	10101969	Knob
2	1012905	1/8" Breather Muffler <i>(Two Required)</i>
3	1014211	Cap
4	10106831	Vibration Disc
5	1014212	Bump Ring
6	1014213	Spring
7	1014022	1/2–13 Nut
8	1014215	Piston Seal
9	1014216	Piston
10	1014217	Tungsten Carbide Plunger
11	10101772	Body
12	1014240	3/32" x 3/8" Groove Pin
13	10103977	Heavy-Duty Plunger Seal
14	1014238	Tungsten Carbide Sleeve
—	10102123	Carbon Steel Sleeve- Multi-Port - <i>Optional (Orifice sizes: 0.178", 0.218", 0.278" and 0.343")</i>
15	1014237	Seat for Tungsten Carbide Sleeve
16	1014236	Insert for Tungsten Carbide Sleeve
17	1014235	O-ring for Tungsten Carbide Sleeve
18	1014241	3/8" Washer <i>(Four Required)</i>
19	10101933	3/8–16 x 2-1/2" Bolt <i>(Four Required)</i>
20a	10105907	1-1/4" Base, Through Hardened <i>(For use with 10101949)</i>
20b	10105908	1-1/2" Base, Through Hardened <i>(For use with 10101950)</i>
21	1011901	1" Square Pipe Plug
—	1014243	Repair Kit with Tungsten Carbide Sleeve <i>(Includes Item #'s: 8, 10, 13, 14, 15, 16, and 17)</i>
—	10105909	Repair Kit with Carbon Steel Multi-port Sleeve <i>(Includes Item #'s: 8, 10, 13, 14, 15, 16, and 17)</i>
—	1014221	Soft Seal Kit <i>(Includes Item #'s: 8, 13, 15 and 17)</i>
—	1091045	Hazard Identification Tag

PART NUMBERS AND SCHEMATICS

Figure 23: Blastmaster® Maxum III Abrasive Metering Valve



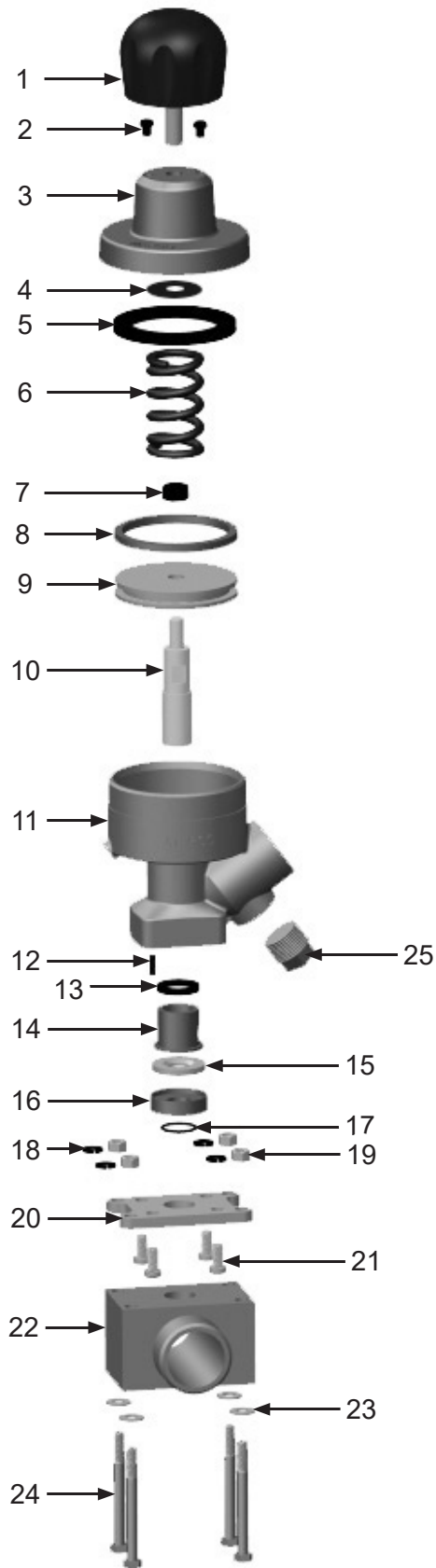
PART NUMBERS AND SCHEMATICS

Blastmaster® Maxum III Abrasive Metering Valve — Tungsten Carbide Sleeve — 2”

Item #	Part #	Description
Fig. 24		
—	10105872	2” Blastmaster® Maxum III Abrasive Metering Valve – Tungsten Carbide Sleeve – Complete
1	10101969	Knob
2	1012905	1/8" Breather Muffler <i>(Two Required)</i>
3	1014211	Cap
4	10106831	Vibration Disc
5	1014212	Bump Ring
6	1014213	Spring
7	1014022	1/2–13 Nut
8	1014215	Piston Seal
9	1014216	Piston
10	1014217	Tungsten Carbide Plunger
11	10101772	Body
12	1014240	3/32" x 3/8" Groove Pin
13	10103977	Heavy-Duty Plunger Seal
14	1014238	Tungsten Carbide Sleeve
15	1014237	Seat for Tungsten Carbide Sleeve
16	1014236	Insert for Tungsten Carbide Sleeve
17	1014235	O-ring for Tungsten Carbide Sleeve
18	10101936	3/8" Washer <i>(Four Required)</i>
19	10101938	3/8–16 Hex Nut <i>(Four Required)</i>
20	10105568	Adapter Plate
21	10105570	3/8-16 X 3/4" Socket Head Cap Screw <i>(Four Required)</i>
22	10105567	2” Base, Through Hardened <i>(For use with 10105573)</i>
23	1014241	3/8” Washer <i>(Four Required)</i>
24	10105569	3/8–16 x 3-3/4" Bolt <i>(Four Required)</i>
25	1011901	1" Square Pipe Plug
—	1014243	Repair Kit with Tungsten Carbide Sleeve <i>(Includes Item #'s: 8, 10, 13, 14, 15, 16, and 17)</i>
—	1014221	Soft Seal Kit <i>(Includes Item #'s: 8, 13, 15 and 17)</i>
—	1091045	Hazard Identification Tag

PART NUMBERS AND SCHEMATICS

Figure 24: Blastmaster® Maxum III Abrasive Metering Valve — Tungsten Carbide Sleeve — 2”



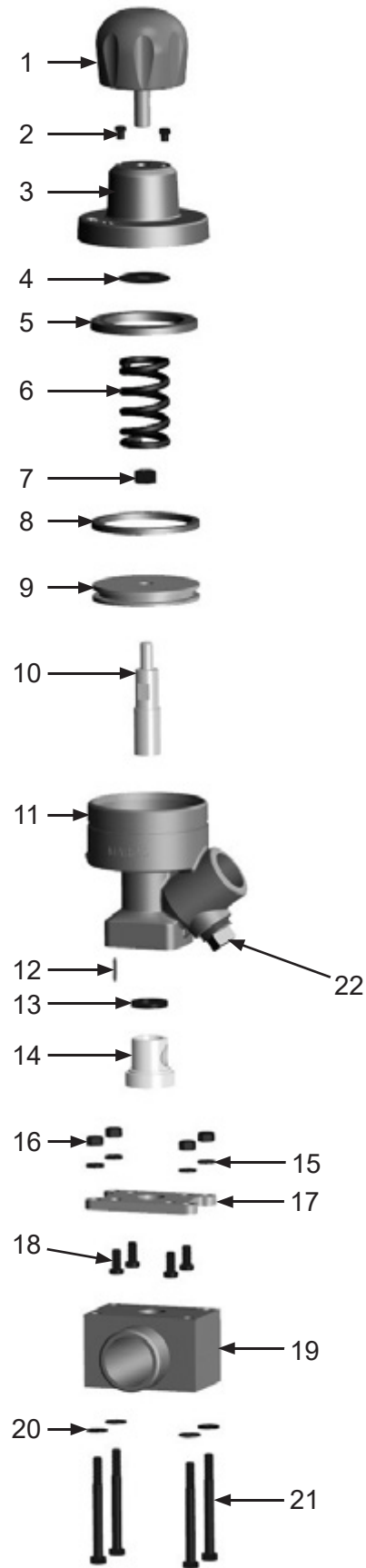
PART NUMBERS AND SCHEMATICS

Blastmaster® Maxum III Abrasive Metering Valve — Urethane Sleeve — 2”

Item #	Part #	Description
Fig. 25		
—	10105573	2” Blastmaster® Maxum III Abrasive Metering Valve – Urethane Sleeve – Complete
1	10101969	Knob
2	1012905	1/8" Breather Muffler (<i>Two Required</i>)
3	1014211	Cap
4	10106831	Vibration Disc
5	1014212	Bump Ring
6	1014213	Spring
7	1014022	1/2–13 Nut
8	1014215	Piston Seal
9	1014216	Piston
10	1014217	Tungsten Carbide Plunger
11	10101772	Body
12	1014240	3/32" x 3/8" Groove Pin
13	10103977	Heavy-Duty Plunger Seal
14	1014229	Urethane Sleeve
15	10101936	3/8" Washer (<i>Four Required</i>)
16	10101938	3/8–16 Hex Nut (<i>Four Required</i>)
17	10105568	Adapter Plate
18	10105570	3/8-16 x 3/4" Socket Head Cap Screw (<i>Four Required</i>)
19	10105567	2” Base, Through Hardened (<i>For use with 10105573</i>)
20	1014241	3/8” Washer (<i>Four Required</i>)
21	10105569	3/8-16 x 3-3/4" Bolt (<i>Four Required</i>)
22	1011901	1" Square Pipe Plug
—	1014244	Repair Kit with Urethane Sleeve (<i>Includes Item #'s: 8,10,13 and 14</i>)
—	1014222	Soft Seal Kit (<i>Includes Item #'s: 8,13, and 14</i>)
—	1091045	Hazard Identification Tag

PART NUMBERS AND SCHEMATICS

Figure 25: Blastmaster® Maxum III Abrasive Metering Valve — Urethane Sleeve — 2”



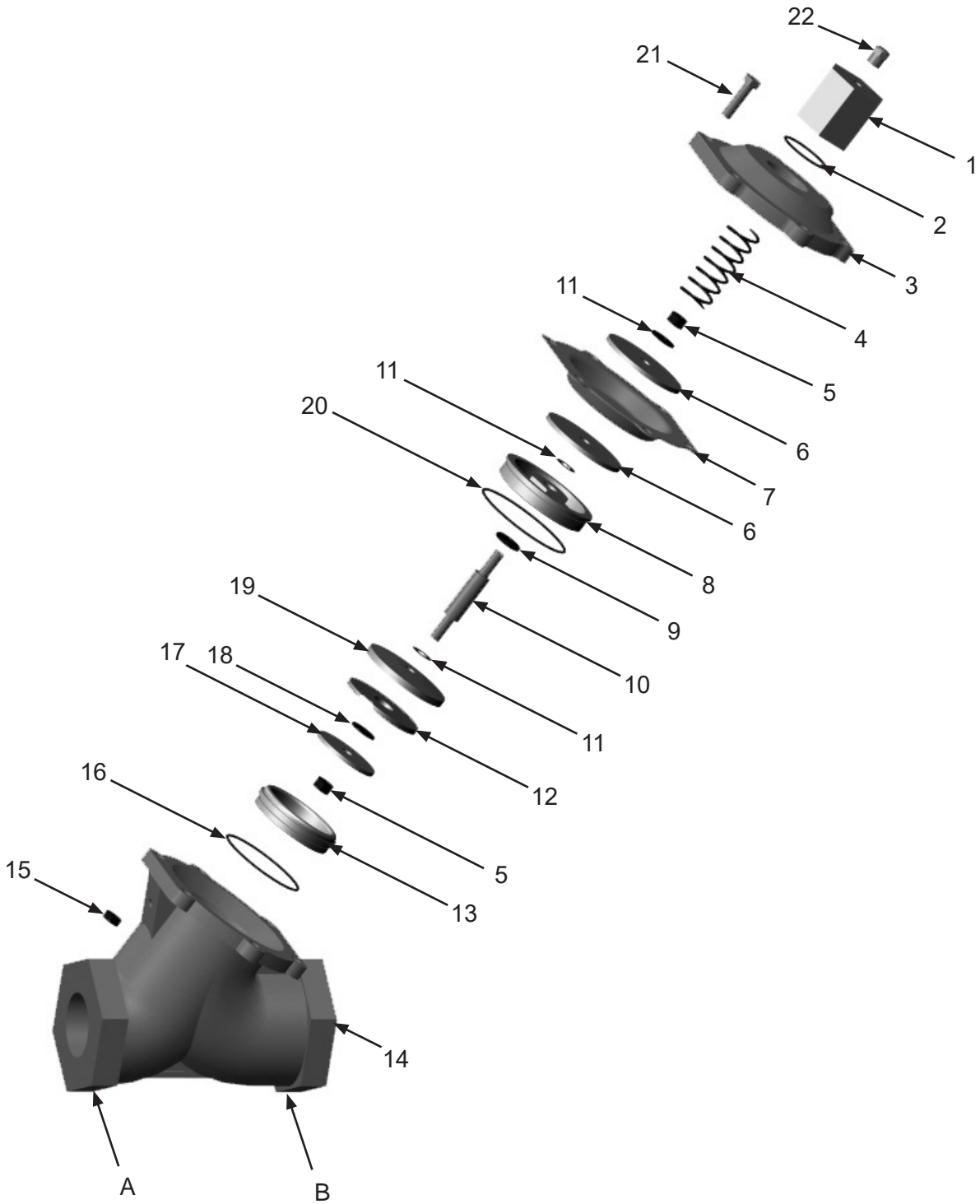
PART NUMBERS AND SCHEMATICS

1-1/2" NPT High-flow GateKeeper Air Valve

Item #	Part #	Description
Fig. 26		
—	1013600	1-1/2" NPT High-flow GateKeeper Air Valve
1	1013322	Spring Retainer
2	1013326	O-ring
3	1013312	Cap
4	1013323	Spring
5	1013313	Lock Nut
6	1013315	Diaphragm Plate <i>(two required)</i>
7	1013303	Diaphragm
8	1013305	Retainer Bushing
9	1013306	O-ring
10	1013318	Shaft
11	1013302	Gasket <i>(two required)</i>
12	1013320	Disc
13	1013311	Lock Nut
13	1013309	Seat
14	1013328	Body
15	1013316	Nut <i>(six required)</i>
16	1013308	Seat O-Ring
17	1013310	Disc Plate
18	1013327	Brass Washer
19	1013307	Disc Retainer
20	1013304	O-ring
21	1013314	Cap Screw <i>(six required)</i>
22	1012905	1/8" Breather Muffler
A	1091050	Sticker - Air Outlet
B	1091051	Sticker - Air Inlet
—	1013301	1-1/2" NPT High-flow GateKeeper Air Valve Service Kit <i>(Includes Item #'s: 5, 7, 9, 11, 12, 17, and 20)</i>

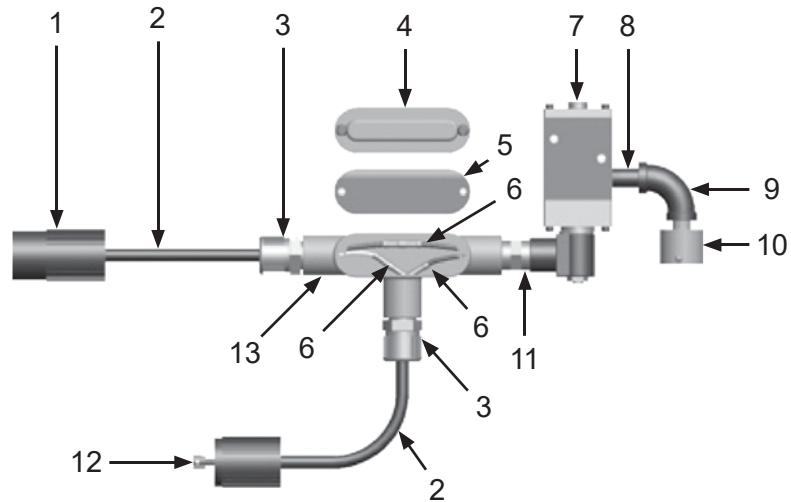
PART NUMBERS AND SCHEMATICS

Figure 26: 1-1/2" NPT High-flow GateKeeper Air Valve



PART NUMBERS AND SCHEMATICS

Figure 27: 12-Volt DC 190 Electric Control Assembly



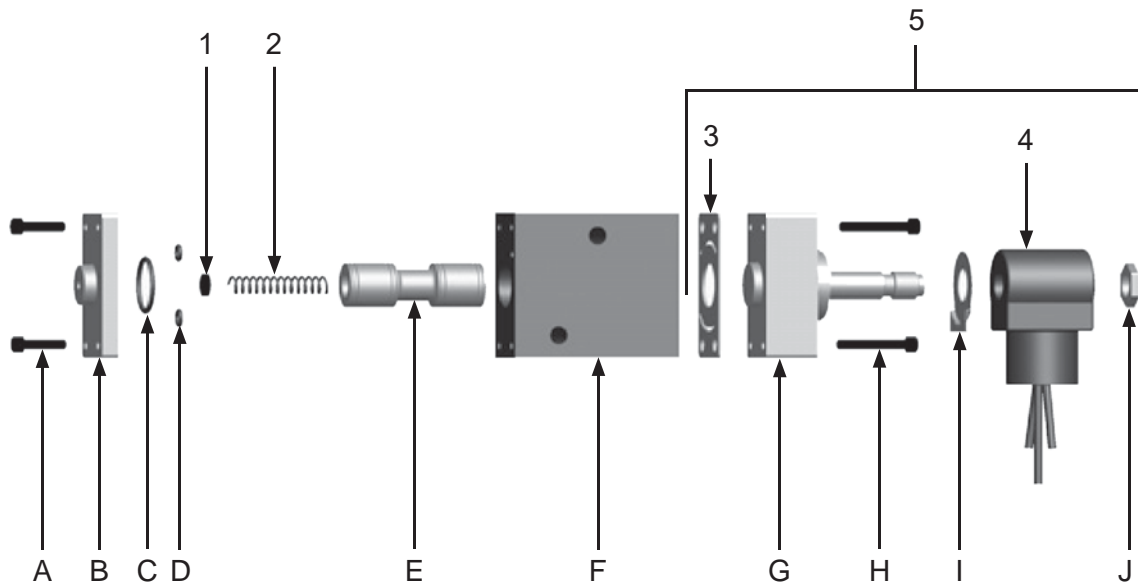
Item #	Part #	Description
--------	--------	-------------

Fig. 27

—	1019051	12-Volt DC 190 Electric Control Assembly – Complete
1	1015556	3-Prong Twist-Lock Plug – Female
2	1015540	16/2 Power Cord – Per Foot
3	1019021	Cord Grip (<i>Two Required</i>)
4	1019022	Conduit Box Cover
5	1019023	Conduit Box Cover Gasket
6	1030028	Butt Splicer (<i>Four Required</i>)
7	1019010	12-Volt DC Electric Solenoid – Complete
8	1011217	1/4" x 2" Pipe Nipple
9	1011832	1/4" NPT 90° Pipe Nipple
10	10DE025	Dust Eliminator
11	20100677	1/2" x 1/2" NPT Hex Nipple
12	1015555	3-Prong Twist-Lock Plug – Male
13	1019020	1/2" Tee Conduit Box

PART NUMBERS AND SCHEMATICS

Figure 28: 12-Volt DC 190 Electric Solenoid

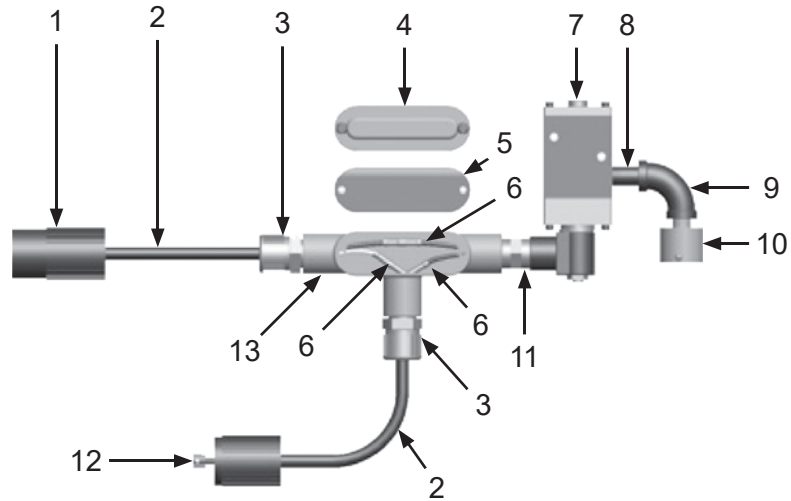


Item #	Part #	Description
Fig. 28		
—	1019010	12-Volt DC 190 Electric Solenoid — Normally-closed — Complete
1	1019029	Felt Filter
2	1019032	Spring
3	1019033	Gasket
4	1019039	12-Volt DC Coil
5	1019034	12-Volt DC Operator Assembly (Includes Items: #3, #4, G, H, I, and J)
—	1019030	Electric Solenoid Repair Kit (Includes Items: #1, #2, #3, C, D, and E)

* Items A–J are not available individually

PART NUMBERS AND SCHEMATICS

Figure 29: 12-Volt AC 190 Electric Control Assembly



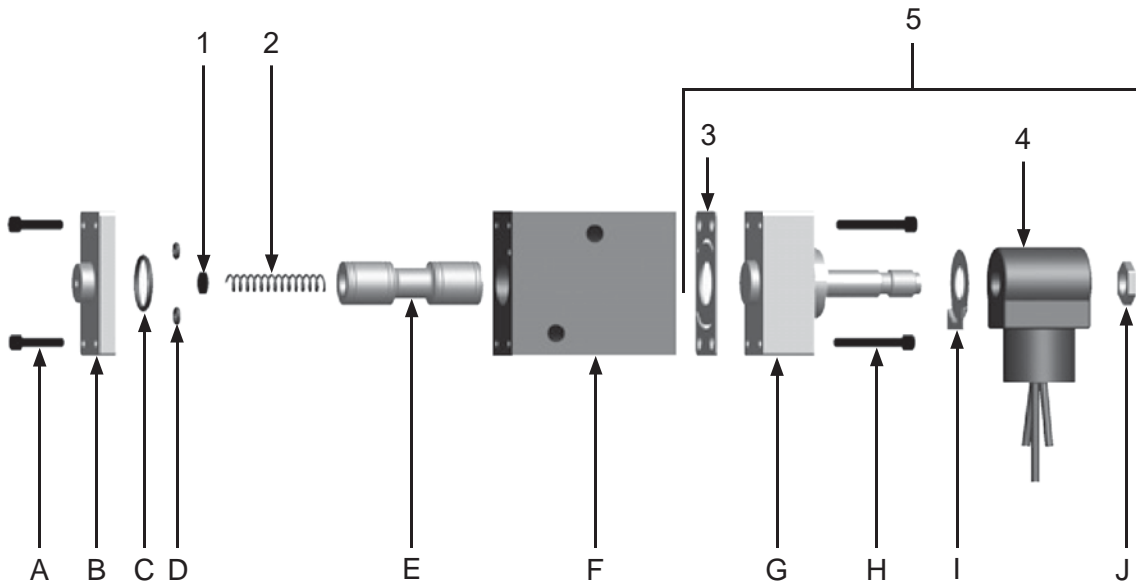
Item #	Part #	Description
--------	--------	-------------

Fig. 29

—	1019052	12-Volt AC 190 Electric Control Assembly – Complete
1	1015556	3-Prong Twist-Lock Plug – Female
2	1015540	16/2 Power Cord – Per Foot
3	1019021	Cord Grip (<i>Two Required</i>)
4	1019022	Conduit Box Cover
5	1019023	Conduit Box Cover Gasket
6	1030028	Butt Splicer (<i>Four Required</i>)
7	1019011	12-Volt AC Electric Solenoid – Complete
8	1011217	1/4" x 2" Pipe Nipple
9	1011832	1/4" NPT 90° Pipe Nipple
10	10DE025	Dust Eliminator
11	20100677	1/2" x 1/2" NPT Hex Nipple
12	1015555	3-Prong Twist-Lock Plug – Male
13	1019020	1/2" Tee Conduit Box

PART NUMBERS AND SCHEMATICS

Figure 30: 12-Volt AC 190 Electric Solenoid



Item #	Part #	Description
Fig. 30		
—	1019011	12-Volt AC 190 Electric Solenoid – Complete
1	1019029	Felt Filter
2	1019032	Spring
3	1019033	Gasket
4	1019040	12-Volt AC Coil
5	1019035	12-Volt AC Electric Operator Assembly (Includes Items: #3, #4, G, H, I, and J)
—	1019030	12-Volt AC Electric Solenoid Repair Kit (Includes Items: #1, #2, #3, C, D, and E)
* Items A–J are not available individually		

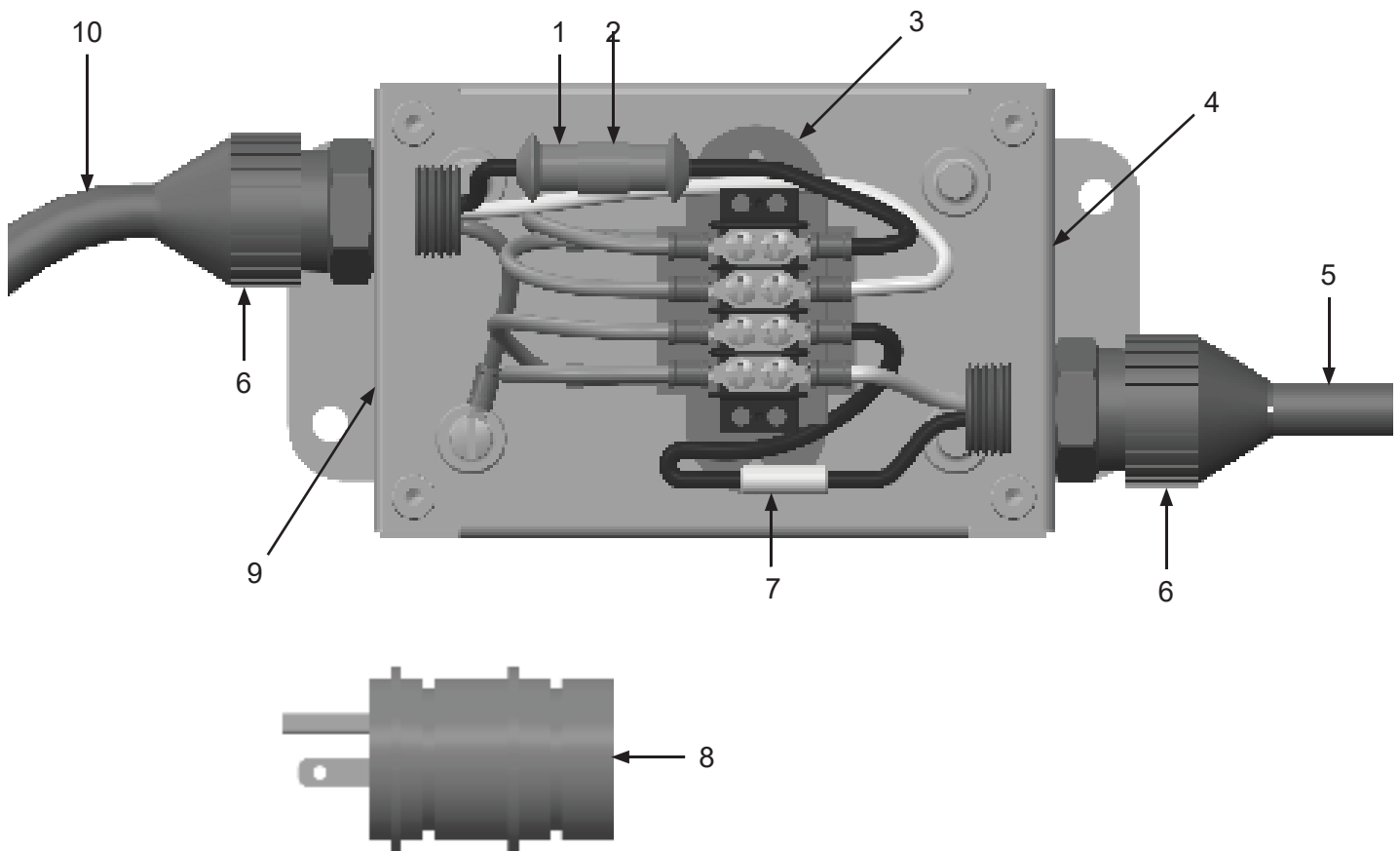
PART NUMBERS AND SCHEMATICS

Blastmaster® 120-Volt AC to 12-Volt AC Power Converter

Item #	Part #	Description
Fig. 31		
—	1030020	Blastmaster® 120-Volt AC to 12-Volt AC Power Converter with 3 feet of 14/2 Electric Cord and Plug – Complete
1	1030123	3 Amp Fuse
2	1030023	In-Line Fuse Holder
3	1030022	Transformer – Blastmaster 120-Volt AC to 12-Volt AC Power Converter
4	1091067	Power-Out Decal (<i>Not Shown</i>)
5	1030013	14/2 SEOW Electric Cord (<i>Per Foot</i>)
6	1030025	Strain Relief (<i>Two Required</i>)
7	1030021	Resistor
8	1030026	3-prong, 120-Volt AC Plug – Male
9	1092014	Power-In Decal (<i>Not Shown</i>)
10	1015550	14/3 SEOW Electric Cord (<i>Per Foot</i>)
—	1091063	Hazard Identification Decal

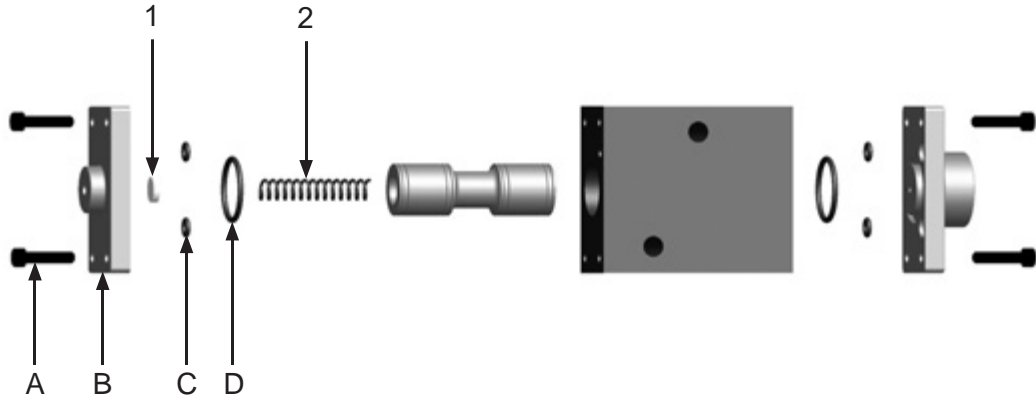
PART NUMBERS AND SCHEMATICS

Figure 31: Blastmaster® 120-Volt AC to 12-Volt AC Power Converter



PART NUMBERS AND SCHEMATICS

Figure 32: 190 Pneumatic Solenoid

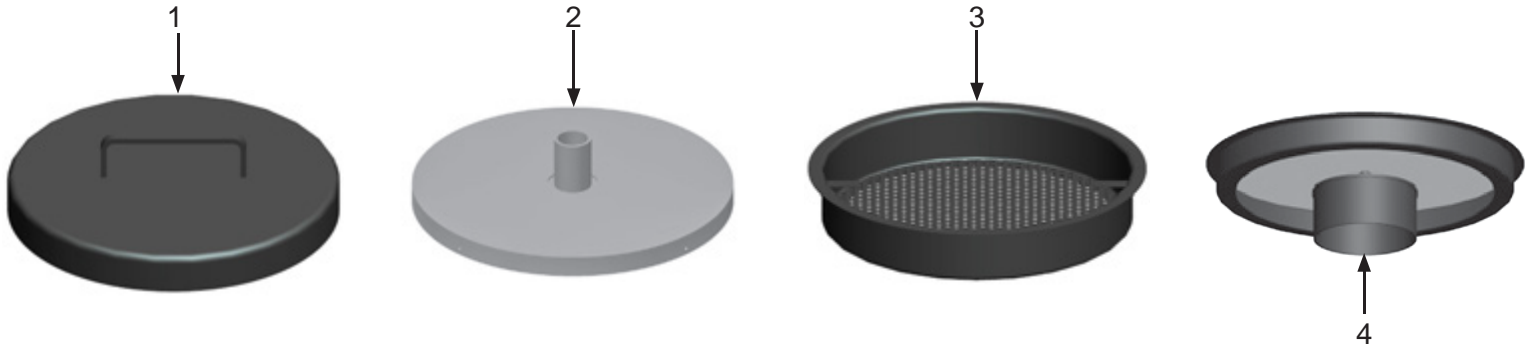


Item #	Part #	Description
Fig. 32		
—	1019000	190 Pneumatic Solenoid Normally—Closed — Complete
1	1019029	Felt Filter
2	1019032	Spring
3	1019027	Pneumatic Solenoid Operator Assembly <i>(Includes Items: G, H, I, and J)</i>
4	1019028	Pneumatic Solenoid Repair Kit <i>(Includes Items: #1, #2, C, D, E, G, and H)</i>

** Items A–J are not available individually*

PART NUMBERS AND SCHEMATICS

Figure 33: Lids and Screens (Optional)



Item #	Part #	Description
Fig. 33		
1	1006101	24" Lid
2	10108827	24" Cover with 2-3/4" Fill
3	1006102	24" Screen
4	10100733	Abrasive Umbrella (<i>Screen Not Included</i>)

LITERATURE REFERENCES

Part #	Description
---------------	--------------------

Blast Pot

- | | |
|---------|--|
| 106M125 | Part Numbers and Schematics Guide – Blastmaster® 10 Cu. Ft. Abrasive Blasting Pots |
| 1090125 | Operator's Manual – Blastmaster® 10 Cu. Ft. Abrasive Blasting Pot |

Remote Control Switch

- | | |
|---------|---|
| 106M068 | Part Numbers and Schematics Guide – Blastmaster® 152P Remote Control Switch |
| 1090068 | Operator's Manual – Blastmaster® 152P Remote Control Switch |
| 106M087 | Part Numbers and Schematics Guide – Blastmaster® 151E Remote Control Switch |
| 1090087 | Operator's Manual – Blastmaster® 151E Remote Control Switch |

CONTACT CENTER

- 3425 East Locust Street
Davenport, IA 52803

ph: 800.BLAST.IT (800.252.7848)

ph: 563.324.2519

fax: 563.324.6258

REGIONAL BRANCH OFFICES

- **Iowa**
Davenport
- **Louisiana**
Gonzales
Lafayette
- **Ohio**
Youngstown
- **Texas**
Beaumont
Corpus Christi
Deer Park



ABRASIVES

BLASTING

COATING

DUST COLLECTORS

ENGINEERED SYSTEMS

RENTAL

SAFETY

SERVICE & REPAIR

VACUUMS

40+ NATIONWIDE SHIPPING LOCATIONS



★ Marco Regional Branch Offices
and Shipping Locations

● Direct Shipping Locations

CONTACT MARCO

800.BLAST.IT

(800.252.7848)

563.324.2519

FAX: 563.324.6258

WWW.MARCO.US

SALES@MARCO.US