

MX3070 AND MX3560 PUMP ASSEMBLIES



SPECIFICATIONS		
	MX3070	MX3560
Ratio:	70:1	60:1
Maximum air inlet pressure:	101.5 psi [7 bar]	116 psi [8 bar]
Maximum fluid pressure:	7105 psi [490 bar]	6960 psi [480 bar]
Displacement per cycle:	6.4 oz. [190 CC]	7.4 oz. [220 CC]
Theoretical Output @ 60 cycles/min:	3.0 gpm [11.4 l/m]	3.5 gpm [13.2 l/m]
Maximum recommended continuous cycle rate:	20 cycles/min [40 strokes]	
Maximum recommended intermittent cycle rate:	30 cycles/min [60 strokes]	
Maximum operating temperature:	160°F [71°C]	
Piston diameter:	10.2 in [260 mm]	
Nominal stroke length:	5 in [127 mm]	
Air inlet connection:	3/4" BSPP / NPS (f)	
Fluid inlet connection:	1 1/2" NPT (m)	
Fluid outlet connection:	3/4" NPT (f)	
Weight:	118 lbs. [53.5 kg]	

In this part sheet, the words **WARNING**, **CAUTION** and **NOTE** are used to emphasize important safety information as follows:

⚠ WARNING
 Hazards or unsafe practices which could result in severe personal injury, death or substantial property damage.

⚠ CAUTION
 Hazards or unsafe practices which could result in minor personal injury, product or property damage.

NOTE
 Important installation, operation or maintenance information.

⚠ WARNING

Read the following warnings before using this equipment.



READ THE MANUAL

Before operating finishing equipment, read and understand all safety, operation and maintenance information provided in the operation manual.



WEAR SAFETY GLASSES

Failure to wear safety glasses with side shields could result in serious eye injury or blindness.



DE-ENERGIZE, DEPRESSURIZE, DISCONNECT AND LOCK OUT ALL POWER SOURCES DURING MAINTENANCE

Failure to De-energize, disconnect and lock out all power supplies before performing equipment maintenance could cause serious injury or death.



OPERATOR TRAINING

All personnel must be trained before operating finishing equipment.



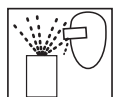
EQUIPMENT MISUSE HAZARD

Equipment misuse can cause the equipment to rupture, malfunction, or start unexpectedly and result in serious injury.



KEEP EQUIPMENT GUARDS IN PLACE

Do not operate the equipment if the safety devices have been removed.



PROJECTILE HAZARD

You may be injured by venting liquids or gases that are released under pressure, or flying debris.



PINCH POINT HAZARD

Moving parts can crush and cut. Pinch points are basically any areas where there are moving parts.



PACEMAKER WARNING

You are in the presence of magnetic fields which may interfere with the operation of certain pacemakers.



AUTOMATIC EQUIPMENT

Automatic equipment may start suddenly without warning.



INSPECT THE EQUIPMENT DAILY

Inspect the equipment for worn or broken parts on a daily basis. Do not operate the equipment if you are uncertain about its condition.



NEVER MODIFY THE EQUIPMENT

Do not modify the equipment unless the manufacturer provides written approval.



KNOW WHERE AND HOW TO SHUT OFF THE EQUIPMENT IN CASE OF AN EMERGENCY



PRESSURE RELIEF PROCEDURE

Always follow the pressure relief procedure in the equipment instruction manual.



NOISE HAZARD

You may be injured by loud noise. Hearing protection may be required when using this equipment.



HIGH PRESSURE CONSIDERATION

High pressure can cause serious injury. Relieve all pressure before servicing. Spray from the spray gun, hose leaks, or ruptured components can inject fluid into your body and cause extremely serious injury.



STATIC CHARGE

Fluid may develop a static charge that must be dissipated through proper grounding of the equipment, objects to be sprayed and all other electrically conductive objects in the dispensing area. Improper grounding or sparks can cause a hazardous condition and result in fire, explosion or electric shock and other serious injury.



PROP 65 WARNING

WARNING: This product contains chemicals known to the State of California to cause cancer and birth defects or other reproductive harm.

IT IS THE RESPONSIBILITY OF THE EMPLOYER TO PROVIDE THIS INFORMATION TO THE OPERATOR OF THE EQUIPMENT. FOR FURTHER SAFETY INFORMATION REGARDING THIS EQUIPMENT, SEE THE GENERAL EQUIPMENT SAFETY BOOKLET (77-5300).

⚠ WARNING

HIGH PRESSURE CAN CAUSE SERIOUS INJURY IF EQUIPMENT IS INSTALLED OR USED INCORRECTLY—READ, UNDERSTAND, AND OBSERVE ALL WARNINGS AND INSTRUCTIONS IN THIS MANUAL.

INSTALL, OPERATE OR SERVICE THIS EQUIPMENT ONLY AFTER ALL INSTRUCTIONS ARE CLEARLY UNDERSTOOD.

It is the responsibility of the employer to place this information into the hands of the operator.

⚠ WARNING

Hazards or unsafe practices which could result in severe personal injury, death or substantial property damage.

⚠ CAUTION

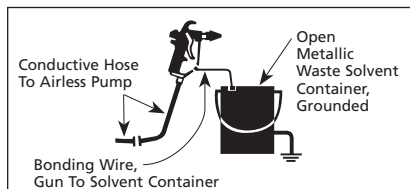
Hazards or unsafe practices which could result in minor personal injury, product or property damage.

NOTE

Important installation, operation or maintenance information.

AVOID STATIC SPARKING

1. Use Binks **NO-WIRE** conductive hose in all airless spraying operations. Be sure the gun and hose have continuity.
2. Make sure the pump is grounded. **NEVER** operate the unit when it is on a non-grounded platform.
3. When flushing or cleaning with a combustible solvent, always use an open metallic container for receiving the waste solvent. Ground the solvent receptacle.
4. **ALWAYS** remove spray tip when flushing the system. Operate the pump at the lowest possible pressure.

**GENERAL WARNINGS**

1. **NEVER** leave a pressurized sprayer unattended.
2. Periodically inspect all hoses for leaks and/or abrasions and tighten all connections before use. **DO NOT ATTEMPT TO REPAIR** a defective hose. **REPLACE** it with another conductive hose.
3. **ALWAYS** relieve pressure in the system by turning bypass valve to **BYPASS** or triggering spray gun before disassembly of any component parts.

CAUTION

Never store de-ionized, distilled, reverse osmosis or any pure grade of water in the pump. These fluids may cause corrosion.

NOTE

BINKS is not responsible for misapplication of pumps. Consult your BINKS representative for application assistance.

NOTE


Be sure that all fluids, solvents and fillers to be used are chemically and physically compatible with wetted parts in the pump. Consult your BINKS representative for pump materials of constructions and compatibility information. Consult the fluid manufacturer for information regarding the fluids to be used.

REPLACEMENT PARTS

The pump is designed to use authorized parts only. When using this pump with parts that do not comply with the minimum specifications and safety devices of Binks, the user assumes all risks and liabilities.

⚠ WARNING**EXCESSIVE AIR PRESSURE**

Can cause personal injury, pump damage or property damage. Do not exceed maximum inlet air pressure as stated on motor model plate.

HAZARD	CAUSE	SAFEGUARDS
<p>EXPLOSION</p> 	<p>STATIC ELECTRICITY Use of this equipment in a potentially explosive atmosphere. Vapors from flammable liquids can catch fire or explode from static electricity discharges.</p>	<ol style="list-style-type: none"> 1. If installing this equipment in a potentially explosive atmosphere, check the ATEX equipment category and temperature ratings meet the requirements for the zoned area. 2. Check electrical continuity of the air supply to earth — should be no greater than $10^6 \Omega$. 3. Electrically bond all metallic equipment to earth. Should be no greater than 1Ω.
<p>SPECIAL CONDITIONS FOR SAFE USE REQUIRED BY ATEX CERTIFICATION</p>	<p>Over pressurization of equipment can cause equipment failure or injury. Use lubricating medium resistant to carburisation. Improper operation or maintenance may create a hazard.</p>	<ol style="list-style-type: none"> 1. Do not exceed the stated maximum working pressures and motor speed as specified in this manual. 2. Only a suitably approved static dissipating or conductive air supply hoses shall be attached to the equipment and terminated to the air supply. 3. Air supplies (compressors, etc.) shall be sited in a non-hazardous area with a filter on the air intake system to prevent the ingress of dust or similar foreign material into the parts where compression takes place. 4. Use lubricating medium resistant to carburisation and has an auto ignition temperature of more than 185°C for T4 equipment. 5. User shall ensure all metallic parts of the equipment are suitably bonded to earth. Should be no greater than 1Ω.

STARTUP AND OPERATION

GROUNDING THE BINKS PUMP

⚠ WARNING

To prevent static charging igniting the flammable spray material, the BINKS pump must be grounded before it is started up. A grounding cable is included with the pump.

1. Clamp the grounding cable to the terminal on the high pressure filter or the air motor.
2. Connect the other end of the grounding cable to a suitable grounding device (e.g. grounding bar).

PREPARING TO START UP THE BINKS PUMP

Proceed as follows:

1. Check that the solvent cup is full to the level shown. If necessary, add material to the solvent cup. (Order part no. 0114-009433 for solvent based paint, and part no. 0114-014871 for waterborne paint.)
2. Attach a suitable fluid hose to the outlet fitting.

⚠ WARNING

The fluid hose supplied by BINKS is identified with the maximum permitted working pressure and the bursting pressure. The lesser value—the maximum permitted working pressure—must be greater than the maximum permitted working pressure of the pump.

3. Connect the gun—designed at least for the maximum permitted working pressure of the pump—to the fluid hose.
4. Make sure that the ball valve on the air control assembly is closed.
5. Connect the compressed air supply to the air inlet connection.
6. The pump is equipped with an air pressure regulator. Before putting the pressure line into operation, relieve the pressure regulator by fully unscrewing the control knob. Thereafter rotate the control knob clockwise until the pressure gauge on the regulator indicates the required pressure.

NOTE

The pump is equipped with an air pressure safety valve.

RINSING THE BINKS PUMP

⚠ WARNING

Wear eye protection.

Every BINKS pump is tested with water during final inspection and thoroughly rinsed with a non-gumming preservative oil. With this rinsing process, it is possible that the residual moisture of water emulsion will be left in the pump.

Before the unit is started up for the first time, a suitable solvent must be used to thoroughly rinse out the remains of the preservative fluid and the unavoidable impurities introduced during equipment assembly.

Proceed as follows:

1. Prepare the BINKS pump for start-up as shown above.
2. Close the high pressure ball valve on the fluid filter.
3. Immerse the siphon kit in the tank of solvent.
4. Insert the return flow hose into the tank of solvent. Open the high pressure ball valve on the fluid filter.
5. Open the ball valve and set the air regulator to approximately 1 bar (14.5 psi). The siphon kit now draws in the solvent. The solvent runs back to the solvent tank through the high pressure filter, the high pressure ball valve and the return flow hose.
6. Remove the spray tip from the gun and point the gun into the tank. Unlock the safety lever on the gun, operate the gun and close the high pressure ball valve. The solvent will now flow through the high pressure filter, the fluid hose and the gun, back into the tank. The time of rinsing depends on the length of the material lines and the solubility of the spray material. We recommend a short reflush with "fresh" solvent.
7. Release the gun trigger.
8. Slowly increase the pressure at the regulator to maximum working pressure while checking and testing

that all lines and screw and plug caps are tightly sealed. If there are any leaks in the system, shut down the BINKS pump immediately. Only re-start the BINKS pump once you have repaired the leak.

9. Reduce the air pressure at the air regulator again and close the ball valve.
10. Make sure that the return flow hose is still directed into the solvent tank. Carefully open the high pressure ball valve to reduce the pressure in the fluid hose and in the high pressure filter.
11. Point the gun into the tank of solvent and operate the trigger, to reduce any pressure which may still exist in the fluid hose and in the gun.

⚠ CAUTION

If working with waterborne material, the BINKS pump must again be thoroughly rinsed with water before it is started up.

FLUSH PUMP BEFORE OPERATION

The pump was factory tested with lightweight oil. Some residue is left in to protect the pump parts. If this could contaminate the fluid you are pumping, flush it thoroughly with a compatible solvent. To start the pump, follow the procedure in the following section, Start and Adjust Pump.

NOTE

Flush the pump with a solvent compatible with the material to be pumped. The pump was tested with oil at the factory.

START-UP

1. Prepare the BINKS pump for start-up as shown above and if necessary, rinse pump.
2. Close the high pressure ball valve on the fluid filter.
3. Immerse the siphon kit in the spray material to be used.
4. Place the return flow hose in the tank. Then open the high pressure ball valve.
5. Open the ball valve for the compressed air supply and use the pressure regulator to set the compressed air

(continued on next page)

STARTUP AND OPERATION

supply to 1 bar (14.5 psi). The pump will now draw in the spray material. The spray material flows back into the tank through the high pressure filter, the high pressure ball valve and the return pipe.

- Remove the spray tip from the gun and point the gun into the tank. Unlock the safety lever on the gun. Operate the gun trigger and close the high pressure ball valve. The spray material will now flow through the high pressure filter, the fluid hose and the gun, back into the tank.
- Release the gun trigger and set the working pressure at the regulator.

NOTE

Before carrying out any coating work, we recommend a test spray (e.g. on to paper or wood). Only if the test gives you the desired result should you start to coat the actual object.

WORK STOPPAGES

CAUTION

If working with 2-K spray material, you must note the given pot life and follow it precisely. Within this time, the unit must be carefully cleaned and rinsed with the recommended solvent. There must be no residue left in the pump, the high pressure filter or the gun.

CAUTION

When work is stopped, the safety lever of the gun must be locked.

For work stoppages of between 10 and 30 minutes, please proceed as follows:

WARNING

Wear eye protection.

- Lock the safety lever on the gun.
- Shut off the compressed air supply by closing the ball valve.
- Briefly open the high pressure ball valve, taking care that the return flow hose is not pointed at other people or at yourself, until the pressure has reduced. Then close the high pressure ball valve again.
- Clean the outside of the spray nozzle from spray material residue.

SHUT-DOWN

CAUTION

Once work is completed, the BINKS pump must be thoroughly cleaned. Under no circumstances must you allow paint residue to dry out in the unit. To clean the pump, use a solvent appropriate to the spray material.

WARNING

Wear eye protection.

- Close the ball valve for the compressed air supply.
- Make sure that the flow hose is still directed into the spray material tank. Carefully open the high pressure ball valve to reduce the pressure in the pump and in the high pressure filter.
- Remove the spray tip from the gun.
- Point the gun into the tank of spray material and operate the trigger to reduce any pressure which may still exist in the fluid hose and in the gun.
- Lock the safety lever on the gun.
- Remove the siphon kit from the spray material.

CLEANING YOUR BINKS PUMP

CAUTION

Do not allow spray material or solvent to soak into the ground.

WARNING

Wear eye protection.

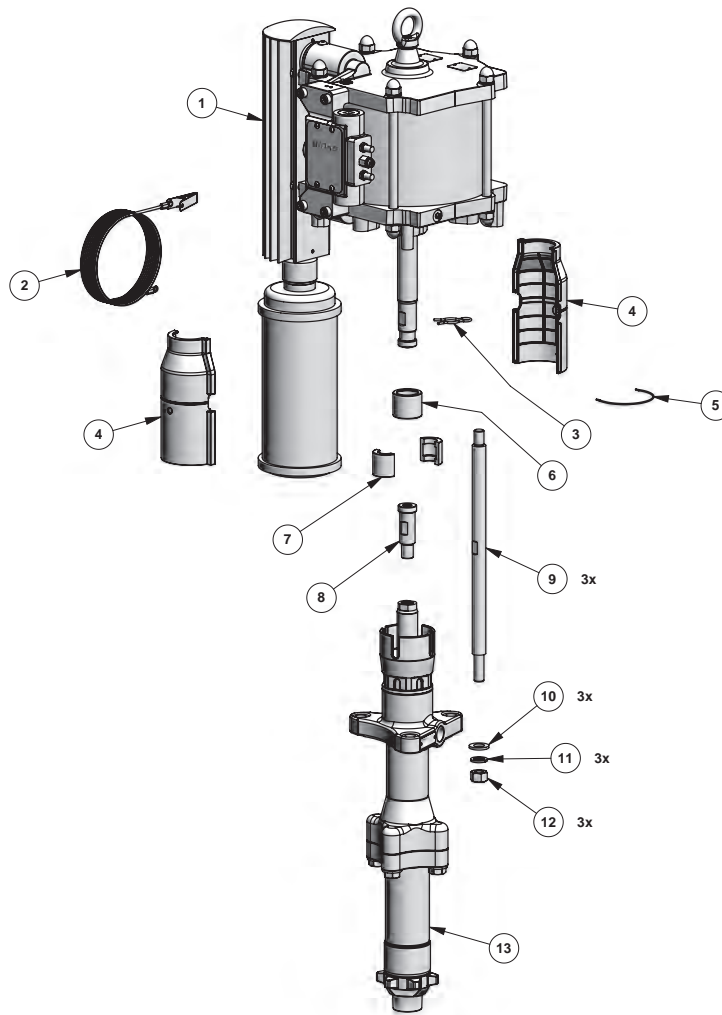
- Clean the pump and the siphon kit from the outside. Immerse the suction system in the tank of solvent.
- Clean the fluid tip/tip system as described in the service bulletin of the spray gun. We recommend to soak the fluid tip in solvent.
- Unlock the safety lever of the gun without fluid tip. Operate the gun. Close the high pressure ball valve. Set the air inlet pressure to 1 bar (14.5 psi) and slowly open the ball valve. Let the solvent run through the system so that the spraying material can rinse out.

- Let the solvent run through the system for a couple of minutes until the solvent runs clear through the gun. Close the ball valve and lock the safety lever of the gun.
- Clean the gun from the outside and check the filter on the handle (if mounted).
- Clean the filter element of the high pressure filter.
- Clean the filter of the siphon kit.
- We recommend keeping the pump filled with liquid.

NOTE

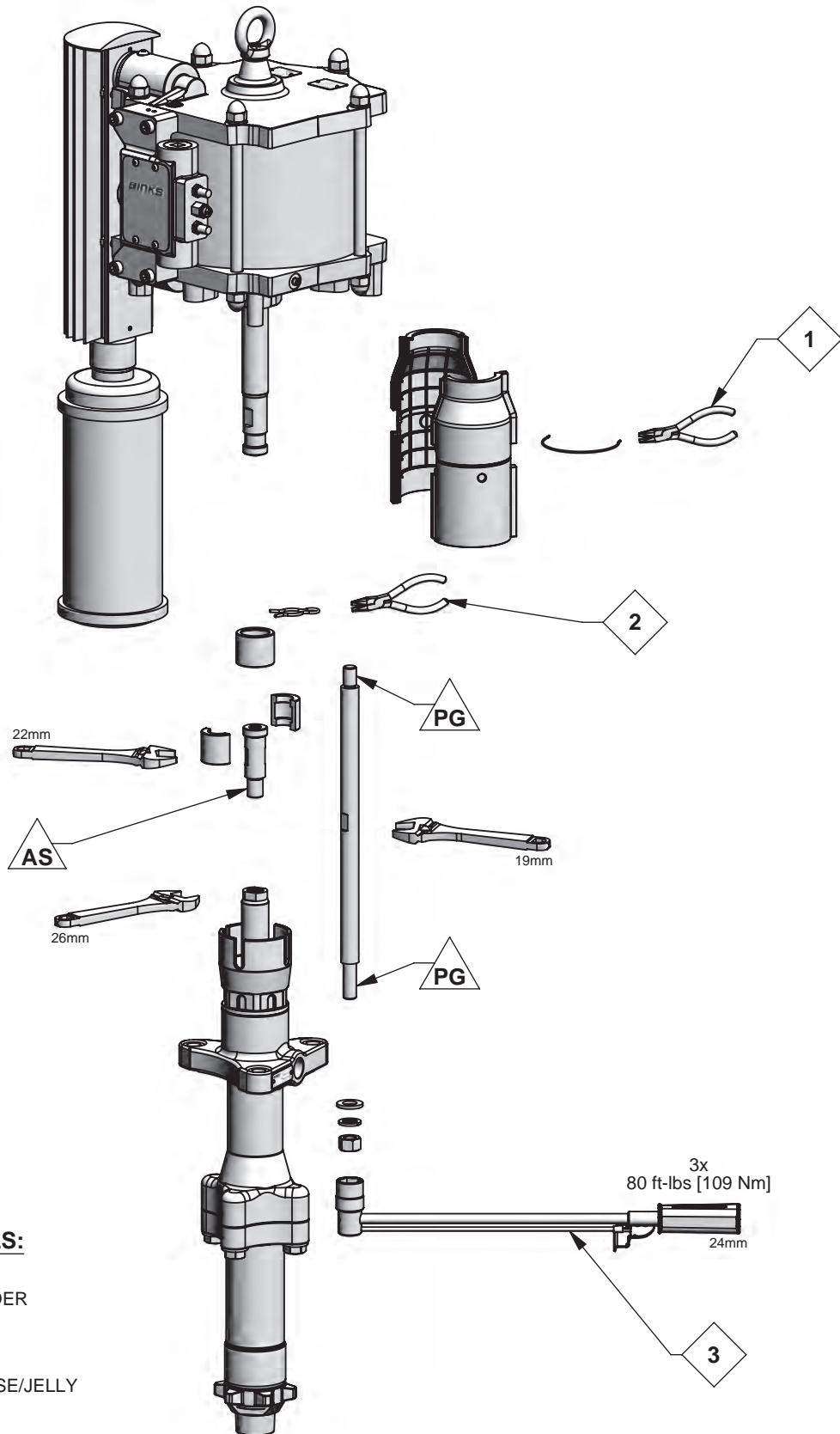
If the pump is not to be used for longer periods of time, we recommend flushing the system with a light, silicone-free oil.

MX3070 AND MX3560 BARE PUMP ASSEMBLIES



ITEM NO.	PART NUMBER	DESCRIPTION	MX3070 QTY.	MX3560 QTY.	SERVICE MANUAL
1	AX260L-7	AX260L AIR MOTOR ASSEMBLY (QD, 7 BAR)	1	–	77-2957
	AX260L-8	AX260L AIR MOTOR ASSEMBLY (QD, 8 BAR)	–	1	
2	0114-016243	GROUNDING WIRE KIT	1	1	
3	0115-010450	HAIRPIN CLIP	1	1	
4	193546	PUMP GUARD	2	2	
5	193543	CLIP	1	1	
6	0115-010448	SPLIT COLLAR RETAINER	1	1	
7	0115-010445	MOTOR ROD SPLIT COLLAR	1	1	
8	0115-010447	PUMP ROD QD ADAPTER	1	1	
9	0115-010444	TIE ROD	3	3	
10	165097	FLAT WASHER	3	3	
11	20-6832	SPRING LOCK WASHER	3	3	
12	20-6834	HEX NUT	3	3	
13	FX30PU-CAK	FX30 FLUID PUMP ASSEMBLY (PTFE/UHMW)	1	–	77-2955
	FX35PU-CAK	FX35 FLUID PUMP ASSEMBLY (PTFE/UHMW)	–	1	

MX3070 AND MX3560 BARE PUMP ASSEMBLIES – MAINTENANCE



MAINTENANCE SYMBOLS:

= MAINTENANCE ORDER
Reverse for assembly

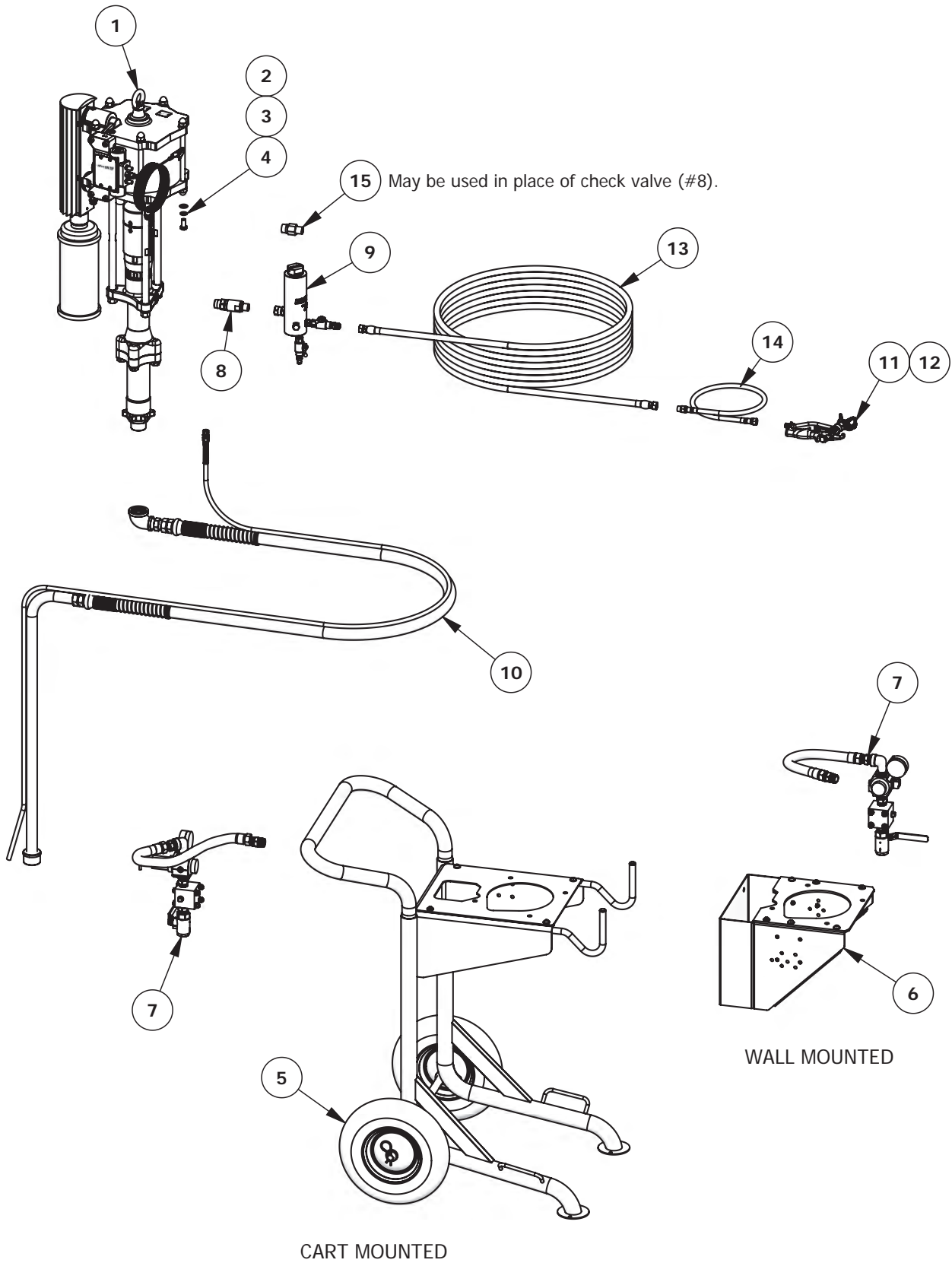
PG = PETROLEUM GREASE/JELLY

AS = ANTI SEIZE

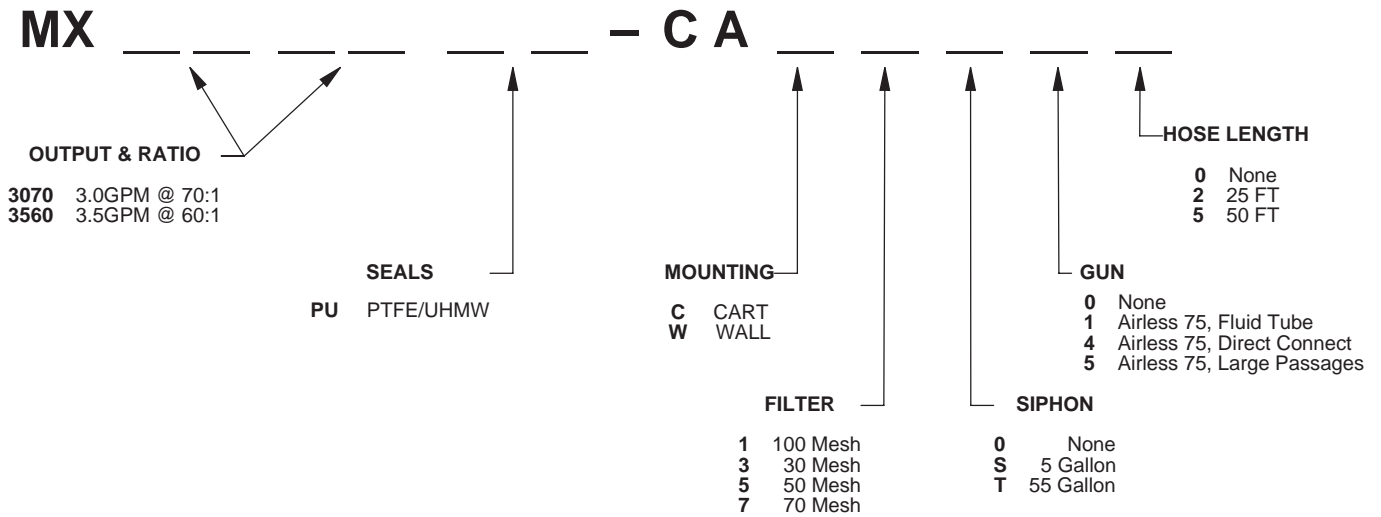
MX3070 AND MX3560 BARE PUMP ASSEMBLIES – TROUBLESHOOTING

PROBLEM	CAUSE	SOLUTION
Pump will not start	No compressed air. Spray tip is blocked.	Check compressed air supply. Clean or replace the spray tip.
Erratic operation of air motor, air motor stops	Worn poppet assemblies. Worn or dirty spool and sleeve assembly.	Replace the poppet assemblies. Clean or replace the spool and sleeve assembly, as necessary.
Continuous air leak from the exhaust	Worn poppet assemblies. Worn piston seal. Worn diaphragm.	Replace poppet assemblies. Replace piston seal. Replace diaphragm.
Material in solvent cup	Worn or dirty upper packings.	Replace or clean upper packings as necessary.
Pump does not stop on the down stroke	Worn or dirty lower ball check.	Replace or clean the parts as necessary.
Pump does not stop on the up stroke	Worn or dirty upper ball check. Worn or dirty lower packings.	Replace or clean the parts as necessary.
Pump runs erratically	Blocked siphon kit. Blocked inlet filter or strainer. Low material level.	Replace or clean the siphon kit. Replace or clean the inlet filter or strainer. Replace or refill material container.
Pump runs, with no output	Loose connection in between pump and siphon kit. Stuck lower ball.	Check that all connections are tight. Replace or clean the parts as necessary.

MX3070 AND MX3560 – SYSTEMS



MX3070 AND MX3560 – SYSTEMS

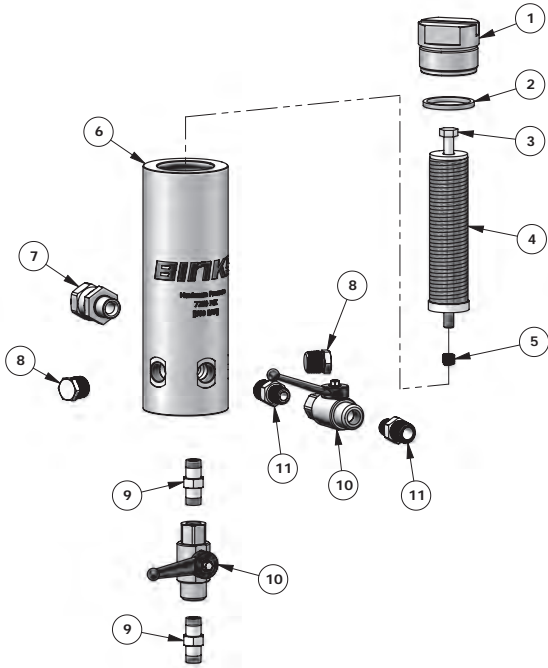


MX3070 & MX3560 SYSTEMS

ITEM NO.	PART NUMBER	DESCRIPTION	QTY	SERVICE MANUAL
1	MX3070PU-CAK	MX3070 BARE PUMP ASSEMBLY (PTFE/UHMW)	1	
	MX3560PU-CAK	MX3560 BARE PUMP ASSEMBLY (PTFE/UHMW)	1	
2	0115-010551	M12 FLAT WASHER	4	
3	0115-010499	M12 SPRING LOCK WASHER	4	
4	0115-010449	M12 X 25mm HEX HEAD CAP SCREW	4	
5	41-28342	CART ASSEMBLY	1 IF MOUNT = C	
6	104095	WALL BRACKET ASSEMBLY	1 IF MOUNT = W	
7	41-28200	AIR CONTROL ASSEMBLY	1	
8	193791	CHECK VALVE ASSEMBLY	1	
9	41-28362-100	S.S. FILTER ASSEMBLY (100 MESH)	1 IF FILTER = 1	
	41-28362-30	S.S. FILTER ASSEMBLY (30 MESH)	1 IF FILTER = 3	
	41-28362-50	S.S. FILTER ASSEMBLY (50 MESH)	1 IF FILTER = 5	
	41-28362-70	S.S. FILTER ASSEMBLY (70 MESH)	1 IF FILTER = 7	
10	41-28270-5	5 GALLON SIPHON KIT	1 IF SIPHON = S	77-2126
	41-28270-55	55 GALLON SIPHON KIT	1 IF SIPHON = T	
11	0811-7500-1	AIRLESS 75 SPRAY GUN ASSEMBLY	1 IF GUN = 1	77-2950
	0811-7500-2	AIRLESS 75 SPRAY GUN ASSEMBLY (DIRECT CONNECT)	1 IF GUN = 4	
	0811-7500-3	AIRLESS 75 SPRAY GUN ASSEMBLY (LARGE PASSAGE)	1 IF GUN = 5	
12	72-2332	HP SWIVEL ADAPTER	1 IF GUN = 1	
13	71-4860	HP FLUID HOSE, 3/8 ID X 3/8 NPS (F) X 25 FT	1 IF HOSE = 2	
	71-4861	HP FLUID HOSE, 3/8 ID X 3/8 NPS (F) X 50 FT	1 IF HOSE = 5	
14	71-4782	HP FLUID HOSE, 1/4 ID X 1/4 NPS (F) 3/8 NPT (M) X 5 FT	1 IF HOSE = 2 or 5	
15	193332	DM NIPPLE, 3/4" NPT X M22	1	

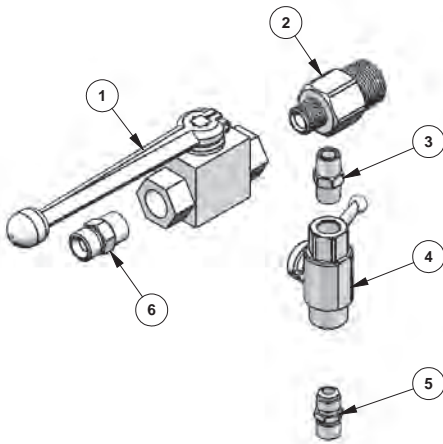
41-28362 STAINLESS STEEL FLUID FILTER ASSEMBLIES

PARTS LIST



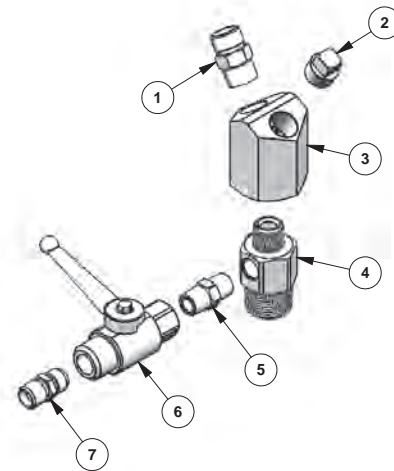
ITEM NO.	PART NO.	DESCRIPTION	41-28362-30 QTY.	41-28362-50 QTY.	41-28362-70 QTY.	41-28362-100 QTY.
1	193662	FILTER CAP	1	1	1	1
2	193665	HOUSING SEAL	1	1	1	1
3	193663	RETAINING BOLT, M8 X 160mm	1	1	1	1
4	0114-014917	30 MESH FILTER ELEMENT	1			
	0114-014886	50 MESH FILTER ELEMENT		1		
	0114-014884	70 MESH FILTER ELEMENT			1	
	0114-014883	100 MESH FILTER ELEMENT				1
5	193664	HELICOIL, M8	1	1	1	1
6	41-28361	FILTER HOUSING	1	1	1	1
7	0114-013638	SWIVEL CONNECTING NIPPLE	1	1	1	1
8	20-6986	HP HEX HEAD PLUG, 3/8" NPT	1	1	1	1
9	20-4854	DM NIPPLE 1/4" NPT	2	2	2	2
10	73-204	HP BALL VALVE, S.S.	2	2	2	2
11	20-5732	DM NIPPLE 3/8 X 1/4 NPT, S.S.	2	2	2	2

OPTIONAL OUTLET KITS (SOLD SEPARATELY)



41-28291 MASTIC VALVE KIT

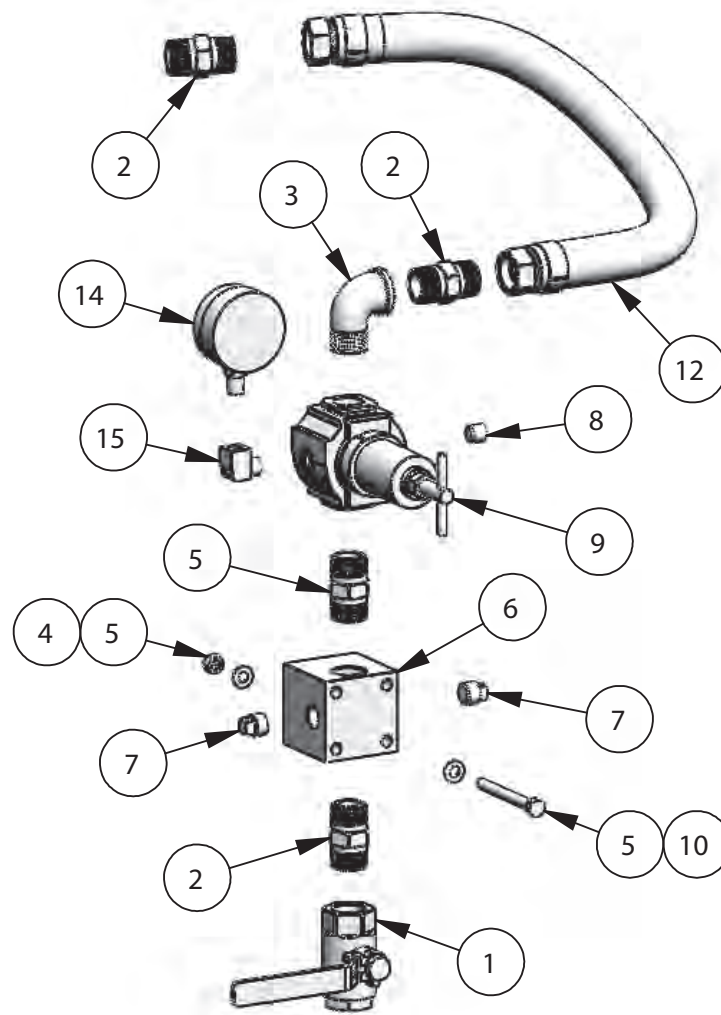
ITEM NO.	PART NUMBER	DESCRIPTION	QTY
1	73-202	BALL VALVE, 3/8" NPT	1
2	41-28266	OUTLET FITTING (3/4" NPT M X 3/8" NPT M X G1/4" F)	1
3	0114-019090	DM NIPPLE, G1/4"	1
4	0114-019091	BALL VALVE, G1/4" SS	1
5	20-6843	DM NIPPLE, 1/4" NPS x BSPP, SS	1
6	83-2055	DM NIPPLE, 3/8" NPT X NPS, SS	1



41-28294 DUAL OUTLET KIT

ITEM NO.	PART NUMBER	DESCRIPTION	QTY
1	83-2055	DM NIPPLE, 3/8" NPT X NPS, SS	1
2	20-1592	PLUG, SQ HEAD, 3/8" NPT	1
3	193544	DUAL OUTLET, 3/8" NPT	1
4	41-28266	OUTLET FITTING (3/4" NPT M X 3/8" NPT M X G1/4" F)	1
5	0114-019090	DM NIPPLE, G1/4"	1
6	0114-019091	BALL VALVE, G1/4" SS	1
7	20-6843	DM NIPPLE, 1/4" NPS x BSPP, SS	1

41-28200 AIR CONTROL ASSEMBLY

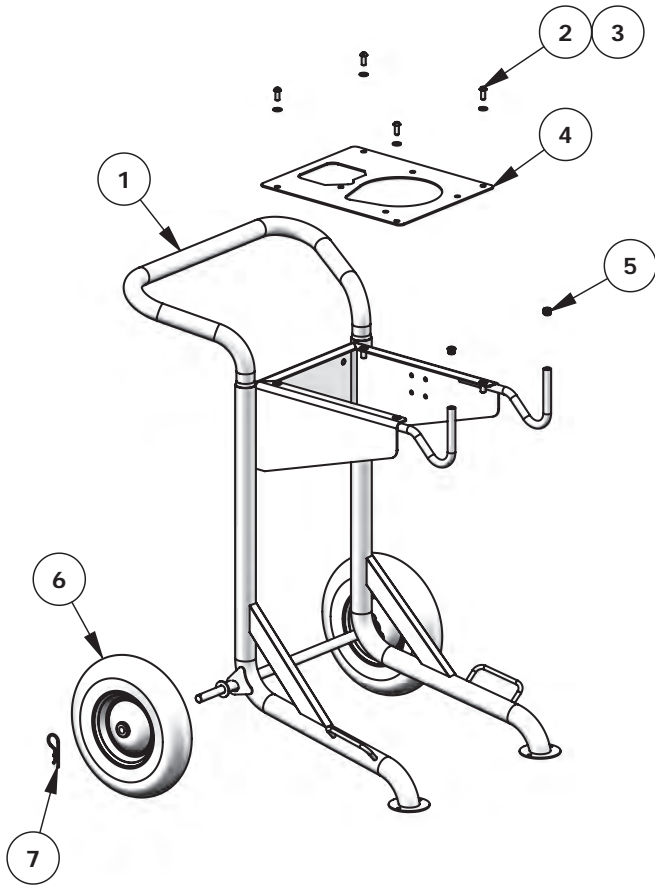


PARTS LIST

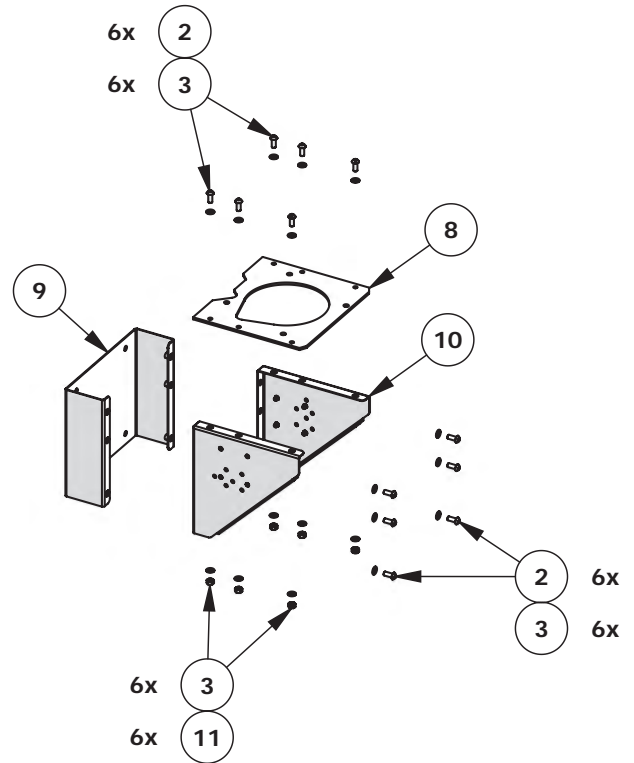
ITEM NO.	PART NUMBER	DESCRIPTION	QTY
1	73-91300	VENTED BALL VALVE	1
2	72-1102	3/4 NPT X 3/4 NPT DM NIPPLE	4
3	20-3590	3/4 STREET ELBOW	1
4	0115-010096	M8 NYLON LOCKNUT	4
5	0115-010035	M8 PLAIN WASHER	8
6	41-28193	AIR CONTROL MANIFOLD	1
7	20-1592	PLUG, SQ HEAD, 3/8 NPT	2
8	20-2288-1	PLUG, 1/4 NPT	1
9	85-502	NORGREN EXCELON 74 PRESSURE REGULATOR, 3/4"	1
10	20-6904	M8 X 1.25mm X 80mm HHCS, PLATED STEEL	4
12	71-1514	3/4" AIR HOSE ASSEMBLY	1
14	83-1290	PRESSURE GAUGE, 2 1/2" IN DIA., 150 LBS	1
15	SSP-1917-NI	STREET ELBOW, 1/4" NPT	1

CART ASSEMBLY & WALL BRACKET ASSEMBLY

41-28342 CART ASSEMBLY



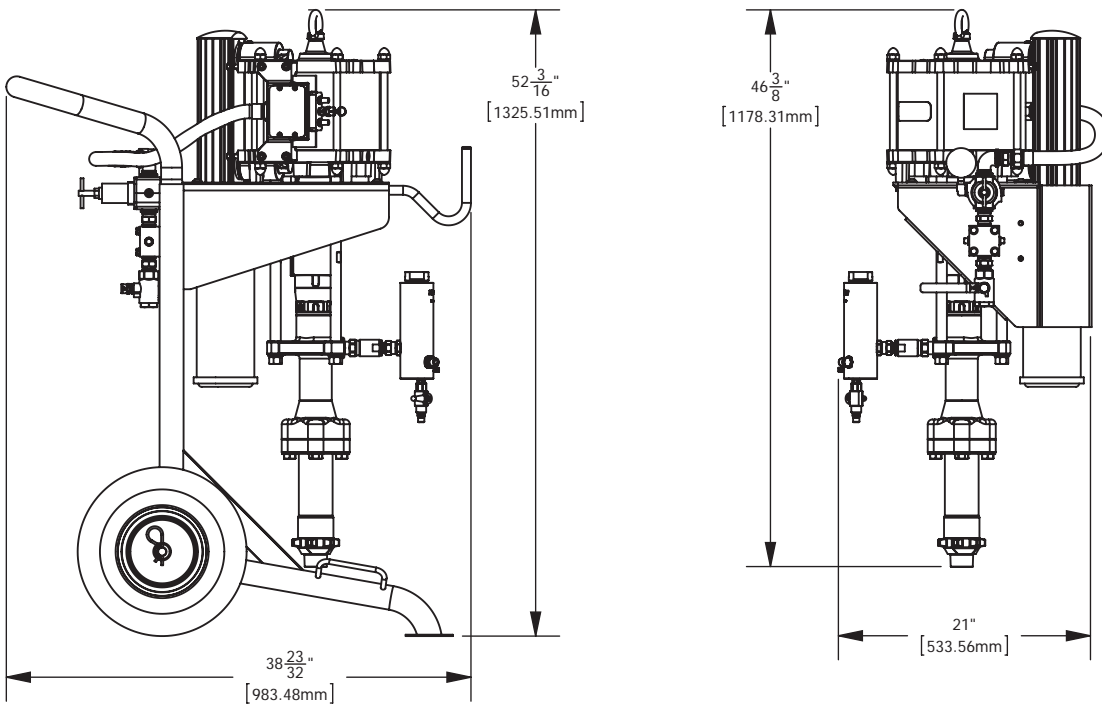
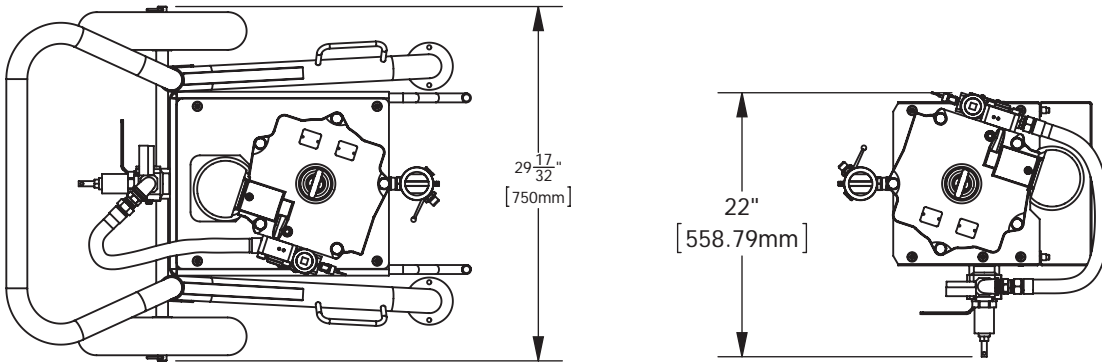
104095 WALL BRACKET ASSEMBLY



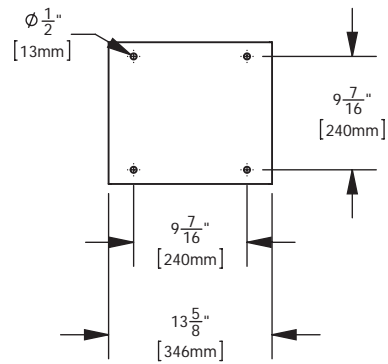
PARTS LIST

ITEM NO.	PART NUMBER	DESCRIPTION	41-28342 CART QTY.	104095 WALL BRACKET QTY.
1	194190	CART FRAME	1	—
2	177019	BUTTON HEAD SCREW (M10 x 25mm)	4	12
3	165135	PLAIN WASHER (M10)	4	18
4	194192	ADAPTER PLATE (CART)	1	—
5	20-6964	TUBING PLUG	2	—
6	193380	14" WHEEL	2	—
7	20-6965	COTTER PIN	2	—
8	193377	ADAPTER PLATE (WALL)	—	1
9	193629	WALL MOUNT ADAPTER	—	1
10	193376	BRACKET SUPPORT	—	2
11	163127	NUT (M10)	—	6

PUMP DIMENSIONS



Wall mounting pattern



WARRANTY POLICY

Binks products are covered by Carlisle Fluid Technologies one year materials and workmanship limited warranty. The use of any parts or accessories, from a source other than Carlisle Fluid Technologies, will void all warranties. For specific warranty information please contact the closest Carlisle Fluid Technologies location listed below.

Carlisle Fluid Technologies reserves the right to modify equipment specifications without prior notice. DeVilbiss®, Ransburg®, ms®, BGK®, and Binks® are registered trademarks of Carlisle Fluid Technologies, Inc.

©2018 Carlisle Fluid Technologies, Inc.
All rights reserved.

Binks is part of Carlisle Fluid Technologies, a global leader in innovative finishing technologies. For technical assistance or to locate an authorized distributor, contact one of our international sales and customer support locations.

USA/Canada

info@carlisleleft.com
Tel: 1-888-992-4657
Fax: 1-888-246-5732

China

mkt@carlisleleft.com.cn
Tel: +8621-3373 0108
Fax: +8621-3373 0308

Germany

info@carlisleleft.eu
Tel: +49 (0) 6074 403 1
Fax: +49 (0) 6074 403 281

United Kingdom

info@carlisleleft.eu
Tel: +44 (0)1202 571 111
Fax: +44 (0)1202 573 488

Mexico

ventas@carlisleleft.com.mx
Tel: +52 55 5321 2300
Fax: +52 55 5310 4790

Australia

sales@carlisleleft.com.au
Tel: +61 (0) 2 8525 7555
Fax: +61 (0) 2 8525 7575

Japan

overseas-sales@carlisleleft.co.jp
Tel: +81 45 785 6421
Fax: +81 45 785 6517

For the latest information about our products, visit www.carlisleleft.com.