



BINKS® MODEL 95 AIR SPRAY GUN



PART NUMBERS AND SCHEMATICS GUIDE

Company Profile

Allredi was formed in the early 2020, when two of the largest distributors in the blasting, coating, safety, and environmental industry, APE Companies and Marco Group International, joined forces. While the qualities both companies are known for have not changed, a lot about our business is new. New abilities. New agilities. New ways to help you win. This calls for a new name, Allredi.

This name exemplifies what we have become. It is completely oriented to the needs of our customers. To your needs. It says that when you call us for anything – products, service, expert advice, anything – you can consider it done. Or even better, Allredi done.

We are your right-now supplier. From skills to SKUs, we deliver the goods fast. So you can be more agile every minute, every day. This is who we are. This is what our new name means. Go ahead and expect excellence, because we're bringing it.

Our Mission and Vision

To be the industry's preferred partner in surface preparation solutions through unrivaled technical expertise, customer experience, product availability, and tailored service offerings.

The Allredi Difference

- **Industry Experience** – With Allredi on your team, you have access to expertise which can only come from decades of industry leadership. We have organized our engineering department, production specialists, customer operations, and safety support into a "Center of Competence." As an Allredi customer, you have access to hundreds of years of cumulative experience related to your operations.
- **Manufacturing Excellence** – Allredi is a U.S. based manufacturer of equipment for the Surface Preparation and Protective Coatings industries. Allredi's engineers benchmark the industry to ensure that we design and manufacture superior products that set the "Gold Standard" for performance, safety, and quality.
- **Legendary Customer Service** – Allredi's legendary customer service team is staffed by friendly, highly-trained individuals who are focused on providing the highest level of product support, order accuracy, and customer satisfaction.
- **Product Availability** – We stock over 10,000 SKU's and have over 45 shipping locations to serve North American and International markets for all major brands of blasting, coating, environmental, and safety equipment. Allredi is your right-now supplier, so you can keep your projects moving. From our foundation of strong relationships, we have built a nationwide network that puts vast inventory and ready service close to our customers. We provide advanced expertise, and we deliver the goods fast – so you can easily access the products and services you need to me more agile every minute, every day.
- **Technology Leadership** – Our website provides: Operator's Manuals, Part Numbers and Schematics Guides, SDS information, and key product features and specifications, providing access to information 24/7.

TABLE OF CONTENTS

Company Profile	2
Table of Contents	3
Binks® Model 95 Air Spray Gun	4-7
Binks® Model 95 Air Spray Gun Part Numbers	4
Fluid Tips and Needles	4
Air Caps	5
Retaining Ring	5
Part Numbers and Schematics	6-7

PART NUMBERS AND SCHEMATICS GUIDE



Part Numbers

BINKS® MODEL 95 AIR SPRAY GUN			
Part Numbers	Type	Fluid Tip	Air Cap
20BK612128000	No Air Cap	63BSS	—
20BK612143000	No Air Cap	66SS	—
20BK612181181	Pressure	59BSS	250
20BK612128007	Pressure	63BSS	63PB
20BK612128084	Pressure	63BSS	66SDJG
20BK612143082	Pressure	66SS	66SD-3
20BK612143088	Pressure	66SS	66SK
20BK612143079	Siphon	66SS	66SD



Part Numbers

FLUID TIPS AND NEEDLES			
Part Numbers	Fluid Tip	Orifice Size	Fluid Needle
20BK455911	59ASS	4.3 mm (0.171 in)	20BK659
20BK455912	59BSS	5.5 mm (0.218 in)	20BK659
20BK455913	59CSS	7.1 mm (0.281 in)	20BK659
20BK456311	63ASS	1.1 mm (0.040 in)	20BK663A
20BK456321	63BSS	1.2 mm (0.046 in)	20BK663A
20BK456331	63CSS	1.3 mm (0.052 in)	20BK663A
20BK456301	63SS	0.7 mm (0.028 in)	20BK663
20BK456402	64VT	1.6 mm (0.064 in)	20BK664VT
20BK456601	66SS	1.8 mm (0.070 in)	20BK665
20BK456701	67SS	2.2 mm (0.086 in)	20BK667
20BK456702	67VT	2.2 mm (0.086 in)	20BK667VT
20BK456605	L6SS	1.8 mm (0.070 in)	20BK655

PART NUMBERS AND SCHEMATICS GUIDE




Part Numbers

AIR CAPS		
Part Numbers	Cap Number	Retaining Ring Included
20BK466000	63P	X
20BK466002	63PB	X
20BK466014	63PE	X
20BK466007	64PA	X
20BK466041	66R	X
20BK466020	66SD	X
20BK466092	66SD-3	X
20BK466103	66SDJG	X
20BK466082	66SK	X
20BK466026	67PB	X
20BK466028	67PD	X
20BK466032	68PB	X
20BK462200	200	
20BK462206	206	
20BK462244	244	
20BK462245	245	
20BK462250	250	
20BK462251	251	
20BK452252	252	
20BK462262	262	
20BKR3	R3	

Part Numbers

RETAINING RING

Part Numbers		Description
	20BK542065	Binks® Model 95 Air Spray Gun Retaining Ring

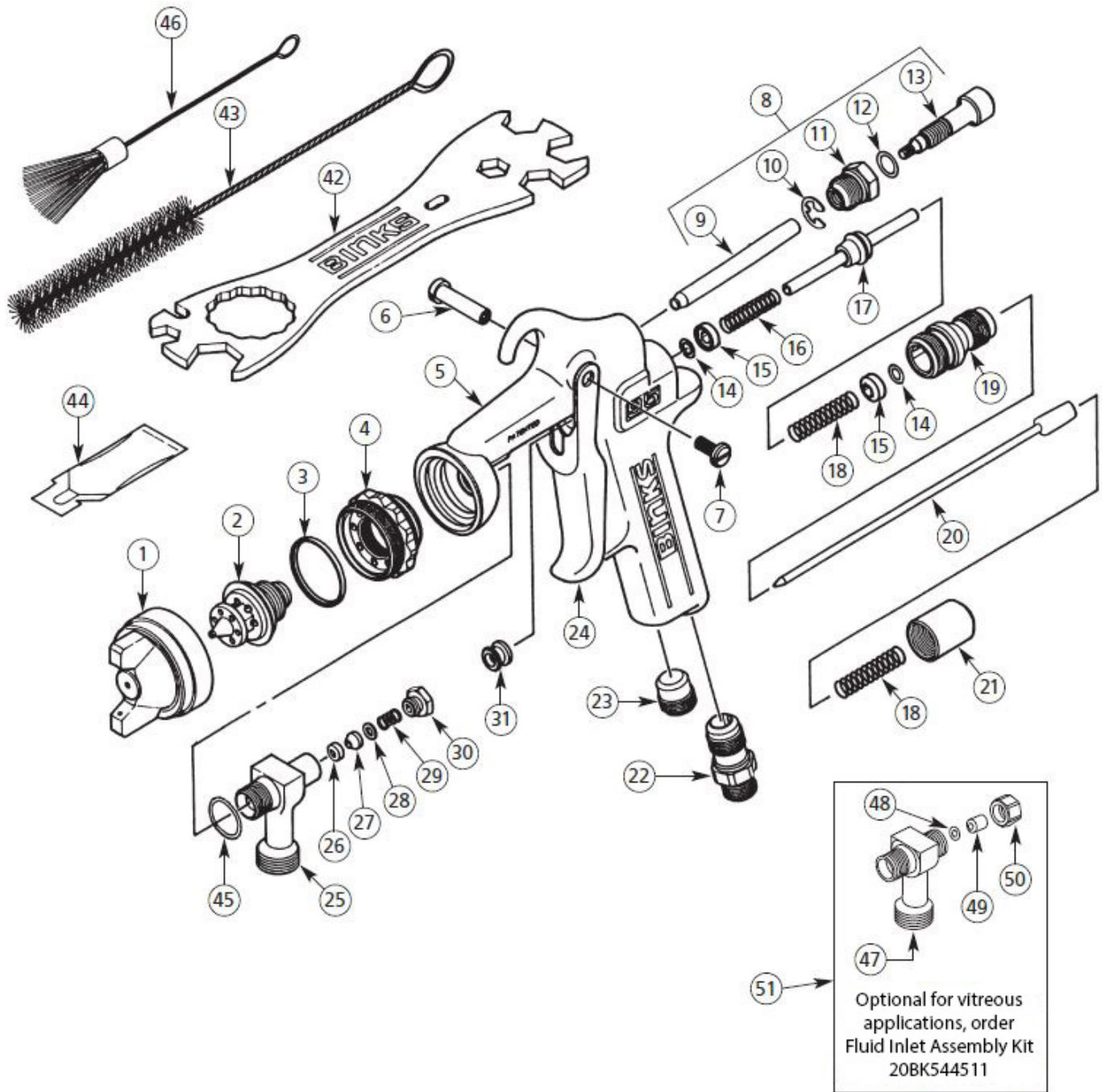
PART NUMBERS AND SCHEMATICS GUIDE

Binks® Model 95 Air Spray Gun

Item#	Part#	Description	Item#	Part#	Description
Fig. 1			45	20BK543592	Copper Gasket
1	—	Air Cap Assembly (See page 5)	46	20BKOMX88	Gun Brush (Optional)
2	—	Fluid Tip (Stainless only, see page 4)	47	20BK544568	Fluid Inlet – Vitreous (Optional)
3	20BK549185	Sealing Ring (Quantity of Five)	48	20BK202227	O-Ring – Vitreous (Optional)
4	20BK544215	Head Insert	49	20BK544531	Packing Spacer – Vitreous (Optional)
5	—	95 Series Gun Handle	50	20BK544542	Nut Assembly – Vitreous (Optional)
6	20BK543580	Trigger Stud	51	20BK544511	Fluid Inlet Assembly (Vitreous) (Includes Item #'s: 47, 48, 49, and 50)
7	20BK543581	Trigger Screw	—	20BK543577	Fluid Inlet and Air Valve Kit (Includes Item #'s: 3, 10, 12, 14, 16, 17, 18, 26, 27, 28, 30, 45, 48, and 49)
8	20BK544216	Side Port Control Assembly (Includes Item #'s: 9, 10, 11, 12, and 13)	—	20BK544225	Fluid Inlet Packing Kit (Includes Item #'s: 3, 26, 27, 28, 29, 30, 45, 48, and 49)
9	20BK544219	Control Stem	—	20BK544226	Air Valve Spindle Kit (Includes Item #'s: 12, 14, 16, 17, and 18)
10	20BK543511	Retaining Ring	—	20BK6429	Gunners Mate (20 ea. 2 oz. bottles)
11	20BK4218	Control Body	—	206M551	Part Numbers and Schematics Guide – Binks® Model 95 Air Spray Gun
12	20BK206160	O-Ring	—	209V551	Operator Manual – Binks® Model 95 Air Spray Gun
13	20BK544217	Control Screw	—	203V551	Technical Specifications – Binks® Model 95 Air Spray Gun
14	20BK2046155	O-Ring (Quantity of Five)			
15	20BK543515	Housing			
16	20BK543520	Spring – Yellow			
17	20BK543512	Spindle Assembly			
18	20BK543518	Spring – Blue – 6 lbs., 8 oz.			
—	20BK544427	Spring – Heavy Duty – 29 lbs. (Optional)			
19	20BK543541	Housing			
20	—	Fluid Needle (Stainless only, see page 4)			
21	20BK543606	Material Valve Control Knob			
22	20BK54768	Air Connection			
23	20BK543504	Plug			
24	20BK543578	Trigger			
25	20BK544210	Fluid Inlet			
26	20BK544262	Gland Adapter			
27	20BK544265	Needle Seal			
28	20BK544266	Seal Backup			
29	20BK544267	Spring			
30	20BK544263	Packing Nut			
31	20BK543513	Valve Spindle Cap			
42	20BK544213	Wrench (Optional)			
43	20BK82469	Gun Brush			
44	—	Gunners Mate (3cc)			

PART NUMBERS AND SCHEMATICS GUIDE

Figure 1: Binks® Model 95 Air Spray Gun





ALLREDI THERE

Serving these industries: Bridge, Pipeline, Tank & Tower, Concrete Services, Rail, Shipyard & Marine, Pools & Fountains and Foundry

UNITED STATES

Pasadena, TX (Headquarters)

844.361.7038

Beaumont, TX

409.722.1284

Bristol, PA

215.826.8080

Corpus Christi, TX

361.887.2038

Davenport, IA

563.324.2519

Deer Park, TX

(Service & Rental Location)

281.930.0905

Duluth, GA

800.535.4564

Gonzales, LA

225.647.7575

Harvey, LA

504.367.8090

Houma, LA

985.580.4273

Jacksonville, FL

904.262.2120

Lafayette, LA

337.267.1440

Theodore, AL

251.338.7525

Youngstown, OH

330.448.6267

CANADA

Calgary, Alberta

403.279.1924

Coquitlam, BC

604.464.6979

Edmonton, Alberta

780.468.2588 (Manus)

780.425.5510 (Mod-U-Blast)

Hamilton, Ontario

905.527.6000 / 888.794.5665

Mississauga, Ontario

905.890.5837

Winnipeg, Manitoba

204.256.3324

800-252-7848 / WWW.ALLREDI-US.COM

Allredi™ and Marco® are registered trademarks of Allredi, LLC.

All other brand names or marks are used for identification purposes and are trademarks of their respective owners.

ALLREDI™

Literature #206M551_8/26/22