



BINKS® MODEL 7 AIR SPRAY GUN



PART NUMBERS AND SCHEMATICS GUIDE

Company Profile

Since 1944, Marco has developed a strong tradition of providing innovative and reliable products and services to the surface preparation and protective coatings industries. We are the world's premier provider of Abrasives, Blasting Equipment, Coating Equipment, Engineered Systems, Rental Equipment, Safety Equipment, Service, and Repair.

Through innovative designs and a total commitment to quality, Marco manufactures products that increase production rates, create a safer workplace, and reduce maintenance costs. Marco's industry experience, manufacturing capabilities, legendary customer service, product availability, logistics services, and technology leadership is your assurance that we deliver high quality products and services, providing the best value to you, our customer.

The Marco Difference

- **Industry Experience** – With Marco on your team, you have access to expertise which can only come from decades of industry leadership. We have organized our engineering department, production specialists, customer operations, and safety support into a “Center of Competence.” As a Marco customer, you have access to hundreds of years of cumulative experience related to your operations.
- **Manufacturing Excellence** – Marco is a U.S. based, ISO 9001:2008 certified manufacturer of equipment for the Surface Preparation and Protective Coatings industries. Marco's engineers benchmark the industry to ensure that we design and manufacture superior products that set the “Gold Standard” for performance, safety, and quality.
- **Legendary Customer Service** – Marco's legendary customer service team is staffed by friendly, highly-trained individuals who are focused on providing the highest level of product support, order accuracy, and customer satisfaction.
- **Product Availability** – We stock over 10,000 SKU's and have over 45 shipping locations to serve North American and International markets for all major brands of blasting and painting equipment. As the largest provider of surface preparation and protective coatings equipment in the world, our inventory levels and product availability are unmatched.
- **Logistics Services** – Marco's in-house logistics team is dedicated to moving your shipment anywhere in the world. We move over 14,000 truckloads every year, allowing you to save on freight costs by leveraging our buying power. Lower your process costs with a single invoice, which includes product and freight.
- **Technology Leadership** – Our website provides: Operator's Manuals, Part Numbers and Schematics Guides, MSDS information, and Features and Specifications Guides, providing access to information 24/7. Our Extranet application allows you to receive quotes and place orders online. Our Intranet maintains a complete record of your purchase history to assist with ongoing support of your existing equipment and future purchasing decisions.

Vision Statement

Marco is the world's premier provider of Abrasives, Blasting Equipment, Coating Equipment, Engineered Systems, Rental Equipment, Safety Equipment, Service, and Repair.

Mission Statement

Marco provides strong leadership and innovation to the surface preparation and protective coatings industries. We dedicate our efforts to the continuous improvement of our products, services, processes, people, and most importantly, the quality of our customer's experience.

Quality Statement

Marco is committed to providing superior quality in the design, manufacturing, distribution, rental, service, and repair of our products. Our ISO 9001:2008 certification extends throughout all operations in all locations. Continuous improvement of our processes and supply chain Integration comprise the core of our business strategy for delivering exceptional quality and value in all Marco products and services.

Management Philosophy

We are a company dedicated to the success of every customer and associate. We discuss, debate, challenge, measure, and test our ideas. We will be boundless and limitless in our passion to improve. Through sound leadership and dedicated associates, we will ensure a long term, profitable future for Marco, our associates, customers, and suppliers.

TABLE OF CONTENTS

Company Profile	2
Table of Contents	3
Binks® Model 7 Air Spray Gun	4-7
Binks® Model 7 Air Spray Gun Part Numbers.....	4
Fluid Tips and Needles.....	5
Air Caps.....	5
Part Numbers and Schematics.....	6-7

PART NUMBERS AND SCHEMATICS GUIDE

BINKS® MODEL 7 AIR SPRAY GUN			
Part Numbers	Type	Fluid Tip	Air Cap
20BK610021115	Pressure	38SS	38PM
20BK610018089	Siphon	36SS	36SD
20BK610018092	Siphon	36SS	36SK



PART NUMBERS AND SCHEMATICS GUIDE



Part Numbers

FLUID TIPS AND NEEDLES			
	Fluid Tip	Orifice Size	Fluid Needle
20BK453301	33SS	0.4 mm (0.016 in)	20BK473300
20BK453601	36SS	0.7 mm (0.028 in)	20BK473600
20BK453801	38SS	0.86 mm (0.034 in)	20BK473800



Part Numbers

AIR CAPS		
	Cap Number	Retaining Ring Included
20BK463027	36SD	X
20BK36SK	36SK	X
20BK38PM	38PM	X

PART NUMBERS AND SCHEMATICS GUIDE

Binks® Model 7 Air Spray Gun

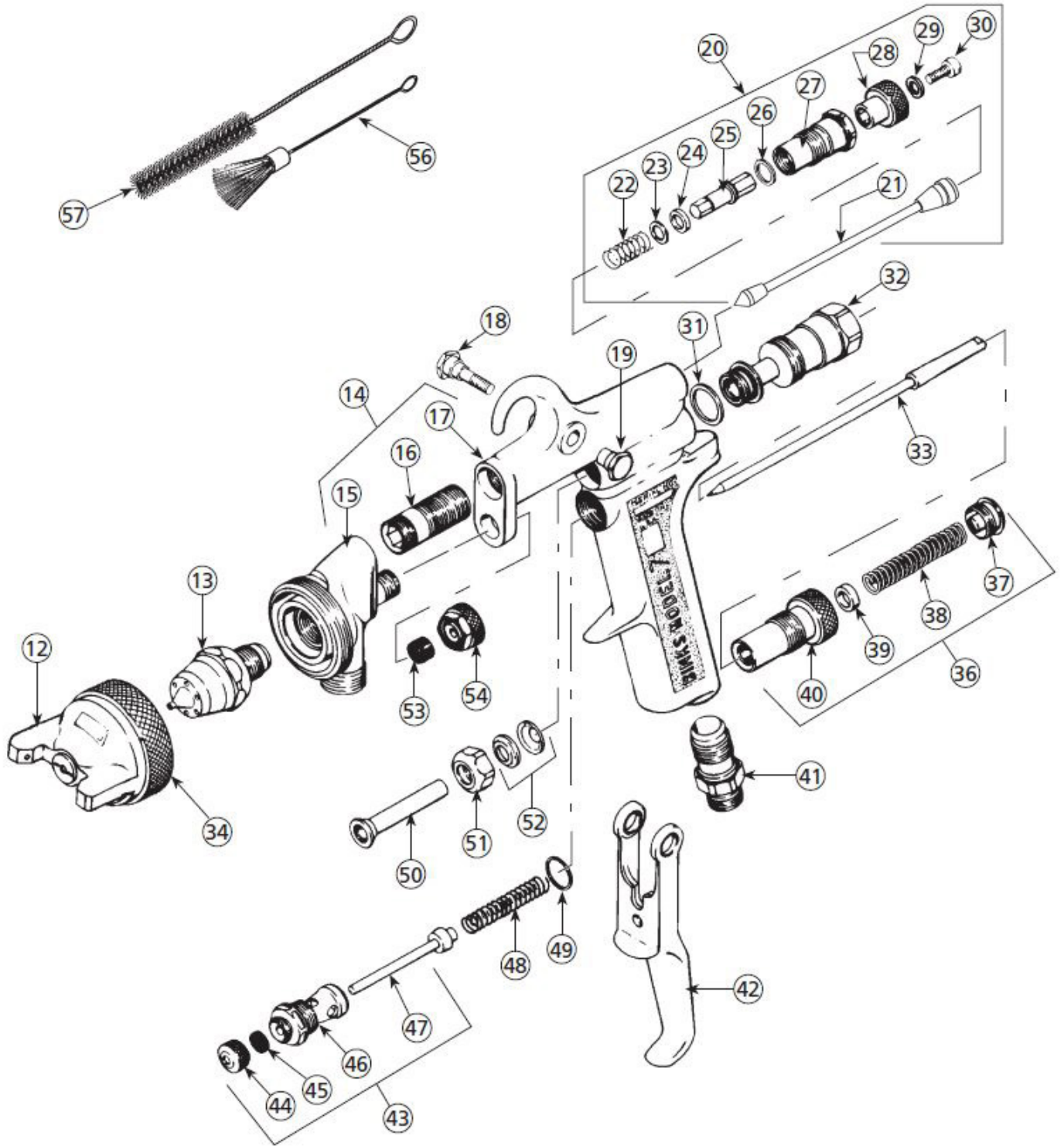
Item#	Part#	Description
Fig. 1		
12	—	Air Cap (See page 5)
13	—	Fluid Tip (See page 5)
14	20BK54706	Head and Body Assembly (Includes Item #'s: 15, 16, and 17)
15	20BK54707	Head
16	20BK54710	Screw
17	—	Body*
18	20BK54759	Screw – Trigger
19	20BK54760	Stud – Trigger
20	20BK54729	Side Port Control Assembly (Includes Item #'s: 21, 22, 23, 24, 25, 26, 27, 28, 29, and 30)
21	20BK54730	Stem
22	—	Spring*
—	20BK54839	Heavy Duty Fluid Control Spring (Optional)
23	—	Washer*
24	20BK547385	Packing (Quantity of Five)
25	20BK54735	Spindle
26	20BK54739	Gasket
27	20BK54734	Housing
28	20BK54740	Gun Key
29	20BK54742	Washer
30	—	Screw*
31	20BK547235	Gasket (Quantity of Five)
32	20BK54717	Housing
33	—	Fluid Needle (See page 5)
34	—	Ring (Available with Air Cap)
36	20BK54724	Fluid Control Assembly (Includes Item #'s: 37, 38, 39 and 40)
37	—	Screw*
38	20BK547285	Spring (Quantity of Five)
39	—	Ring*
40	—	Body*
41	20BK54768	Air Connection
42	20BK54753	Gun Trigger
43	20BK541341	Air Valve Assembly (Includes Item #'s: 44, 45, 46, and 47)
44	20BK541340	Nut
45	20BK547475	Packing (Quantity of Five)
46	20BK54751	Body

Item#	Part#	Description
47	20BK54744	Stem
48	20BK547505	Spring (Quantity of Five)
49	20BK547495	Gasket (Quantity of Five)
50	20BK54718	Sleeve
51	20BK54721	Wiper Cup Retainer
52	20BK547225	Wiper Cup (Quantity of Five)
53	20BK2285	Fluid Packing (Quantity of Five)
54	20BK54765	Packing Nut
56	20BKOMX88	Cleaning Brush
57	20BK82469	Round Cleaning Brush
—	20BK73165	Gun Wrench (Optional)
—	20BK6188	Binks® Model 7 Air Spray Gun Repair Kit (Includes Item #'s: 22, 24, 26, 31, 38, 45, 47, 48, 49, 52, and 53)
—	206M568	Part Numbers and Schematics Guide – Binks® Model 7 Air Spray Gun
—	209V568	Operator Manual – Binks® Model 7 Air Spray Gun
—	203V568	Technical Specifications – Binks® Model 7 Air Spray Gun

*Not available for individual sale

PART NUMBERS AND SCHEMATICS GUIDE

Figure 1: Binks® Model 7 Air Spray Gun



GLOBAL HEADQUARTERS

- 3425 East Locust Street
Davenport, IA 52803

ph: 800.BLAST.IT (800.252.7848)

ph: 563.324.2519

fax: 563.324.6258

GULF STATES HEADQUARTERS

- 701 East Boulevard
Deer Park, TX 77536

ph: 800.BLAST.IT (800.252.7848)

ph: 281.930.0905

fax: 281.542.0736

REGIONAL BRANCH OFFICES

- **Iowa**
Davenport
- **Louisiana**
Gonzales
Lafayette
- **Ohio**
Youngstown
- **Texas**
Beaumont
Corpus Christi
Deer Park



ABRASIVES

BLASTING

COATING

DUST COLLECTORS

ENGINEERED SYSTEMS

RENTAL

SAFETY

SERVICE & REPAIR

VACUUMS

40+ NATIONWIDE SHIPPING LOCATIONS



★ Marco Regional Branch Offices
and Shipping Locations

● Direct Shipping Locations

CONTACT MARCO

800.BLAST.IT

(800.252.7848)

563.324.2519

FAX: 563.324.6258

WWW.MARCO.US

SALES@MARCO.US