



BINKS® 75 AIRLESS SPRAY GUN



PART NUMBERS AND SCHEMATICS GUIDE

Company Profile

Allredi was formed in the early 2020, when two of the largest distributors in the blasting, coating, safety, and environmental industry, APE Companies and Marco Group International, joined forces. While the qualities both companies are known for have not changed, a lot about our business is new. New abilities. New agilities. New ways to help you win. This calls for a new name, Allredi.

This name exemplifies what we have become. It is completely oriented to the needs of our customers. To your needs. It says that when you call us for anything – products, service, expert advice, anything – you can consider it done. Or even better, Allredi done.

We are your right-now supplier. From skills to SKUs, we deliver the goods fast. So you can be more agile every minute, every day. This is who we are. This is what our new name means. Go ahead and expect excellence, because we're bringing it.

Our Mission and Vision

To be the industry's preferred partner in surface preparation solutions through unrivaled technical expertise, customer experience, product availability, and tailored service offerings.

The Allredi Difference

- **Industry Experience** – With Allredi on your team, you have access to expertise which can only come from decades of industry leadership. We have organized our engineering department, production specialists, customer operations, and safety support into a "Center of Competence." As an Allredi customer, you have access to hundreds of years of cumulative experience related to your operations.
- **Manufacturing Excellence** – Allredi is a U.S. based manufacturer of equipment for the Surface Preparation and Protective Coatings industries. Allredi's engineers benchmark the industry to ensure that we design and manufacture superior products that set the "Gold Standard" for performance, safety, and quality.
- **Legendary Customer Service** – Allredi's legendary customer service team is staffed by friendly, highly-trained individuals who are focused on providing the highest level of product support, order accuracy, and customer satisfaction.
- **Product Availability** – We stock over 10,000 SKU's and have over 45 shipping locations to serve North American and International markets for all major brands of blasting, coating, environmental, and safety equipment. Allredi is your right-now supplier, so you can keep your projects moving. From our foundation of strong relationships, we have built a nationwide network that puts vast inventory and ready service close to our customers. We provide advanced expertise, and we deliver the goods fast – so you can easily access the products and services you need to me more agile every minute, every day.
- **Technology Leadership** – Our website provides: Operator's Manuals, Part Numbers and Schematics Guides, SDS information, and key product features and specifications, providing access to information 24/7.

TABLE OF CONTENTS

Company Profile	2
Table of Contents	3
Binks® 75 Airless Spray Gun	4-11
Binks® 75 Airless Part Numbers and Schematics.....	4-8
Optional Accessories.....	9-11

PART NUMBERS AND SCHEMATICS GUIDE

BINKS® 75 AIRLESS SPRAY GUN					
Part Numbers	Working Pressure	Diffuser	Fluid Hose Connection	Swivel	Twist Tip Guard
20BK081175004*	7500 psi	Single Hole	Direct Connect	3/8" (F) x 3/8" (M)	X
20BK081175003*	7500 psi	Single Hole	Direct Connect	—	X
20BK081175002*	7500 psi	Three Hole	Direct Connect	—	X
20BK081175001*	7500 psi	Three Hole	SS Fluid Tube	—	X

*Spray Tip is purchased separately

PART NUMBERS AND SCHEMATICS GUIDE

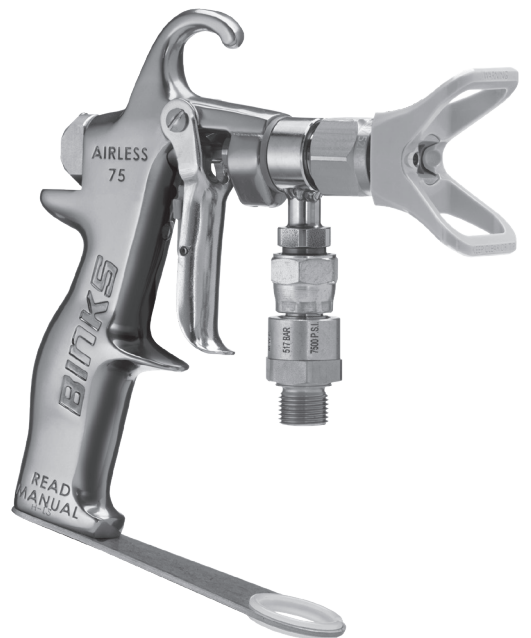


20BK081175001



20BK081175002

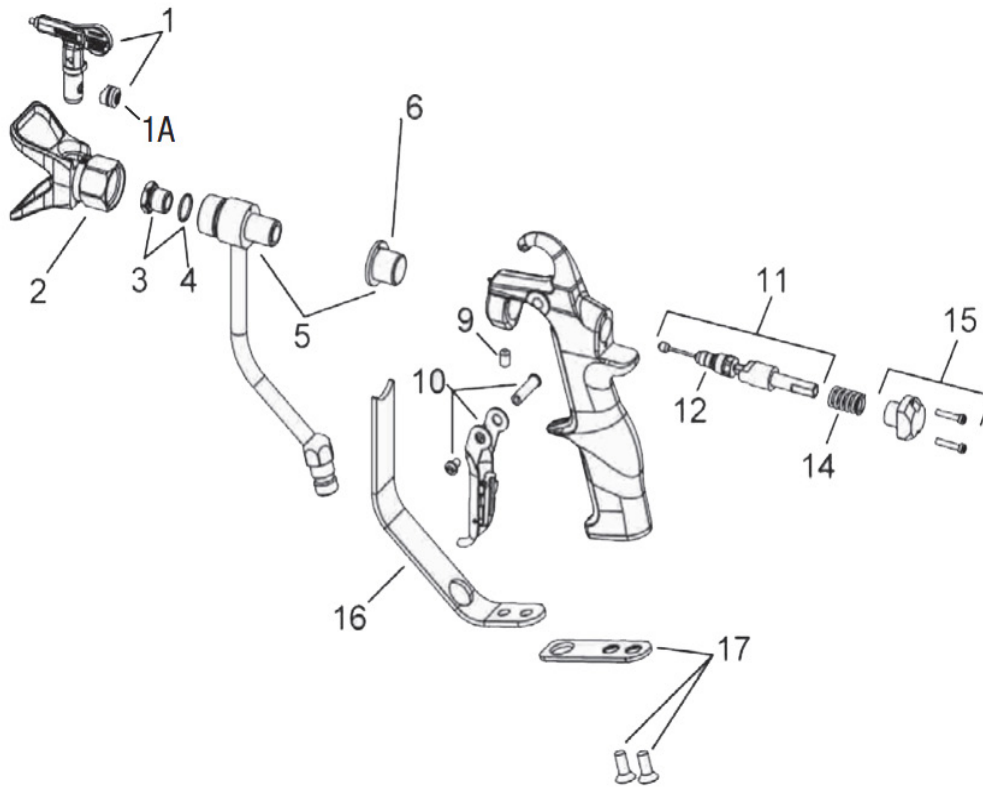
20BK081175003



20BK081175004

PART NUMBERS AND SCHEMATICS GUIDE

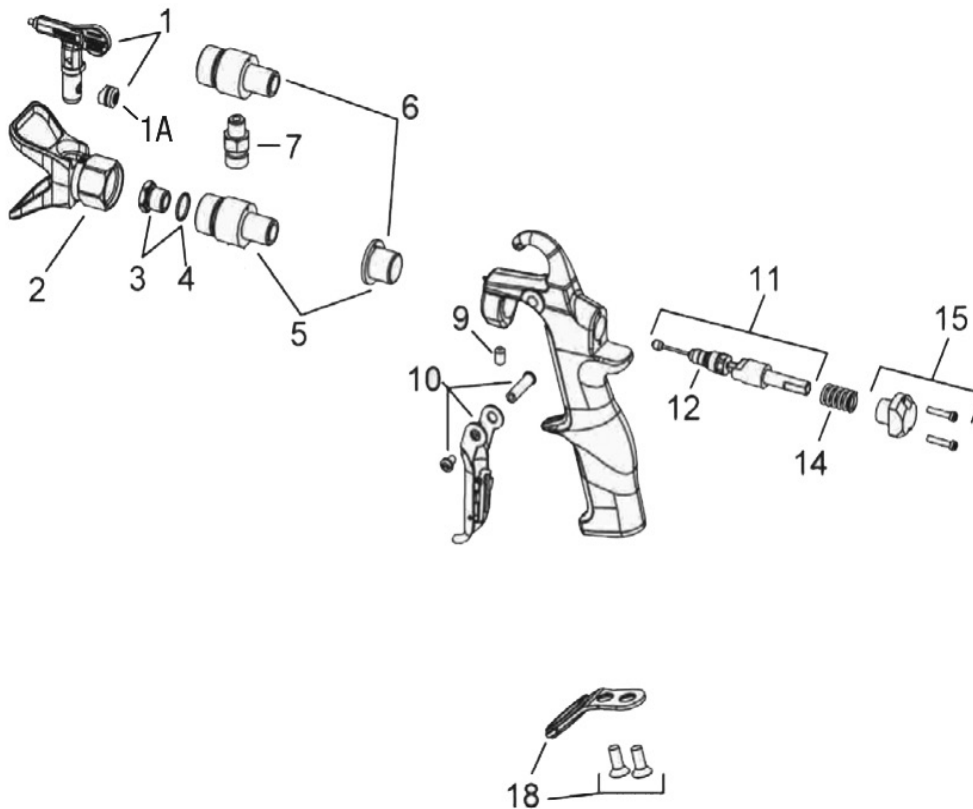
Figure 1: Binks® Airless 75 with External Stainless Steel Tube



Item#	Part#	Description
Fig. 1		
—	20BK081175001	Binks® Airless 75 with External Stainless Steel Tube
1	—	Twist Tip 7500 psi (<i>Not Included</i>)
1A	20BK547539K2	Twist Tip Brace Kit (<i>Not Included</i>)
2	20BK110875B	7500 psi Twist Tip Guard
3A	20BK547511K	Diffuser Nut Kit (<i>For use with 20BK081175001, 20BK081175002</i>)
3B	20BK547537K	Diffuser Nut Kit (<i>For use with 20BK081175003</i>)
4	20BK542096K5	Washer (<i>Quantity of Five</i>)
5	20BK547518K	Fluid Tube Assembly Kit
6	20BK547523K	Gun Head Kit
9	20BK205865K3	Set Screw (<i>Quantity of Three</i>)
10	20BK547534K	Trigger Kit
11	20BK547512	Needle Assembly
12	20BK542949	Packing Gland
14	20BK547508	Spring
15	20BK547530K	Rear Cap Kit
16	20BK547527	Heat Guard (<i>Optional</i>)
17	20BK547510K	Bracket Kit
—	206M547	Part Numbers and Schematics Guide - Binks® 75 Airless Spray Gun
—	209V547	Operator's Manual - Binks® 75 Airless Spray Gun

PART NUMBERS AND SCHEMATICS GUIDE

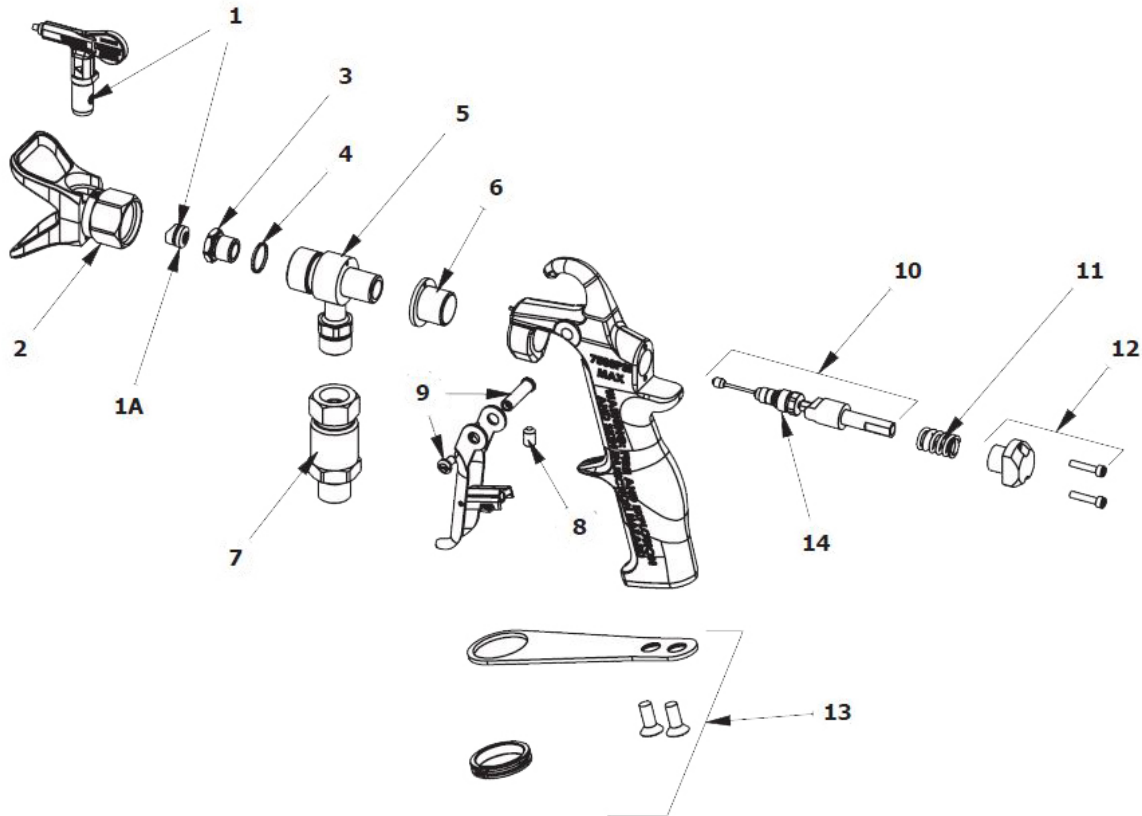
Figure 2: Binks® Airless 75 Direct Connect



Item#	Part#	Description
Fig. 2		
—	20BK081175002	Binks® Airless 75 Direct Connect
	20BK081175003	Binks® Airless 75 Direct Connect (Large Passage Version)
1	—	Twist Tip 7500 psi (Not Included)
1A	20BK547539K2	Twist Tip Brace Kit (Not Included)
2	20BK110875B	7500 psi Twist Tip Guard
3A	20BK547511K	Diffuser Nut Kit (For use with 20BK081175001, 20BK081175002)
3B	20BK547537K	Diffuser Nut Kit (For use with 20BK081175003)
4	20BK542096K5	Washer (Quantity of Five)
5	20BK547518K	Fluid Tube Assembly Kit
6	20BK547523K	Gun Head Kit
7	20BK72792	Inlet Adapter
9	20BK205865K3	Set Screw (Quantity of Three)
10	20BK547534K	Trigger Kit
11	20BK547512	Needle Assembly
12	20BK542949	Packing Gland
14	20BK547508	Spring
15	20BK547530K	Rear Cap Kit
18	20BK547510K	Bracket Kit
—	206M547	Part Numbers and Schematics Guide - Binks® 75 Airless Spray Gun
—	209V547	Operator's Manual - Binks® 75 Airless Spray Gun

PART NUMBERS AND SCHEMATICS GUIDE

Figure 3: Binks® 75M Airless Direct Connect




Item#	Part#	Description
Fig. 3		
—	20BK081175004	Binks® Airless 75M Direct Connect
1	—	Twist Tip 7500 psi (<i>Not Included</i>)
1A	20BK547539K2	Airless 75 Twist Tip Brace Kit (<i>Not Included</i>)
2	20BK110875B	7500 psi Twist Tip Guard
3A	20BK547511K	Diffuser Nut Kit (<i>For use with 20BK081175001, 20BK081175002</i>)
3B	20BK547537K	Diffuser Nut Kit (<i>For use with 20BK081175003</i>)
4	20BK542096K5	Washer (<i>Quantity of Five</i>)
5	20BK547544	75M Airless Welded Gun Head Assembly
6	20BK547502K3	Body Insulator
7	20BK722351	3/8" (F) NPS x 3/8" (M) NPS Swivel
8	20BK205865K3	Set Screw (<i>Quantity of Three</i>)
9	20BK547534K	Trigger Kit
10	20BK547512	Needle Assembly
11	20BK547508	Spring
12	20BK547530K	Rear Cap Kit
13	20BK547542K	Hose Bracket Kit
14	20BK542949	Packing Gland
—	206M547	Part Numbers and Schematics Guide - Binks® 75 Airless Spray Gun
—	209V547	Operator's Manual - Binks® 75 Airless Spray Gun

OPTIONAL ACCESSORIES

TIP GUARD SUMMARY

	Part Numbers	Color	Tip Style	Thread Size	For Use With:
	20BK110875B	Grey	Twist	7/8 Inch	Binks® 75 Airless



TWIST TIP SUMMARY


	Part Numbers	Tip Guard	Maximum Working Pressure	Color	Typical Applications	Typical Materials
	20BK9xxx75	20BK110875B	7500 psi	Grey	Corrosion Protection, Contractors, Shipyards, Metal Structures, Railcars	Light Stains to Thick Zinc

SPRAY TIP SELECTION CHART (20BK9xxx75)


		Orifice Size													
		.007"	.009"	.011"	.013"	.015"	.017"	.019"	.021"	.023"	.025"	.027"	.031"	.035"	
Spray Pattern	4"			211	213	215	217								
	6"	307	309	311	313	315	317								
	8"		409	411	413	415	417	419	421					435	
	10"		509	511	513	515	517	519	521	523	525				
	12"			611	613	615	617	619	621	623	625	627	631	635	
	14"				713	715	717								

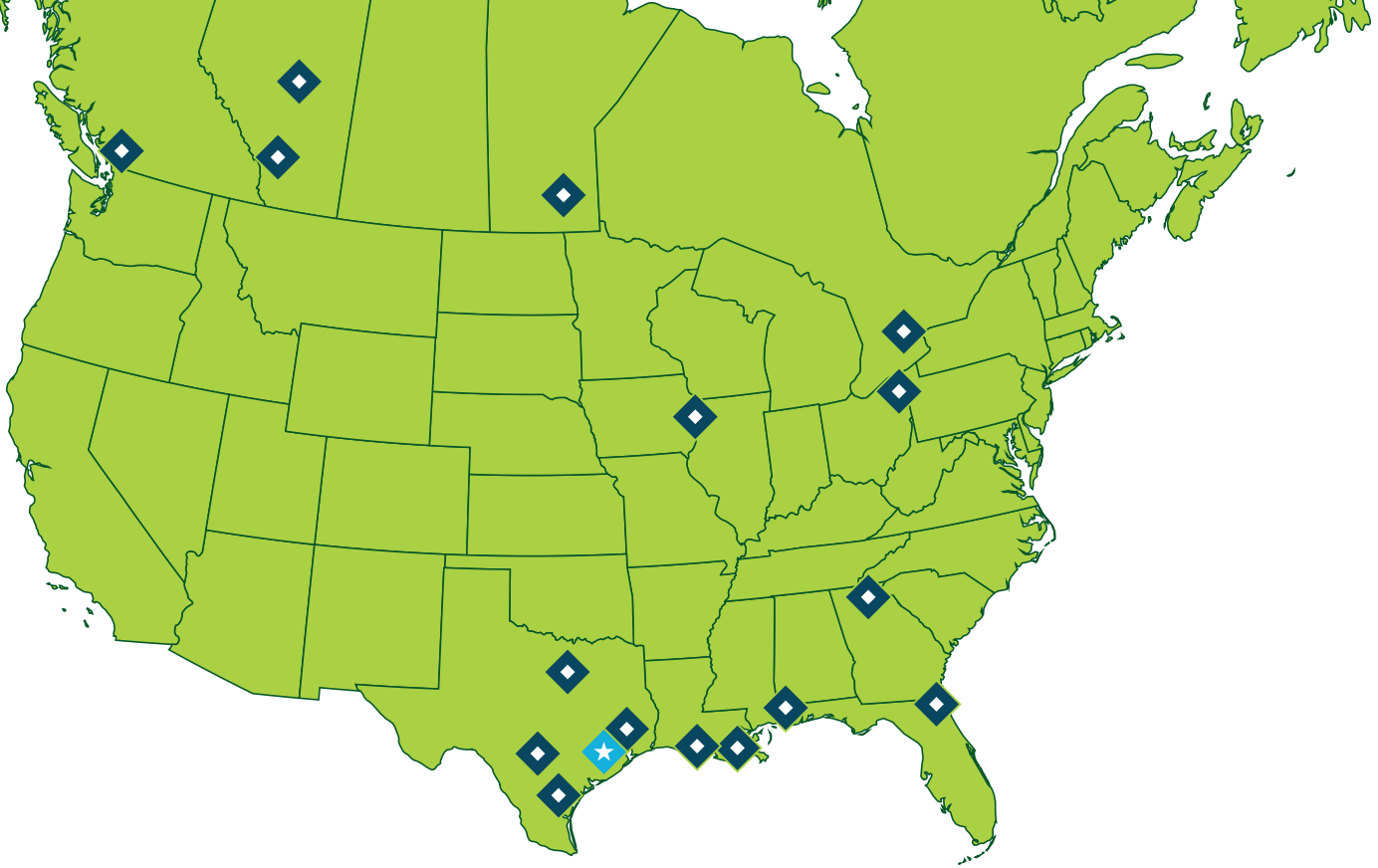
OPTIONAL ACCESSORIES

		SWIVEL ADAPTER SUMMARY
Part Numbers		Description
	20BK722332	Swivel Adapter 1/4" M x 1/4" F
	20BK722333	Swivel Adapter 3/8" M x 1/4" F
	20BK722340	Swivel Adapter with Inlet Filter (60 Mesh)
	20BK722341	Swivel Adapter with Inlet Filter (100 Mesh)

		FILTER SUMMARY
Part Numbers		Description
	20BK541836	60 Mesh Filter
	20BK541835	100 Mesh Filter

OPTIONAL ACCESSORIES

		TIP EXTENSION SUMMARY
Part Numbers		Description
	20BK525208	36" Airless Tip Extension
	20BK525209	60" Airless Tip Extension



ALLREDI THERE

Serving these industries: Bridge, Pipeline, Tank & Tower, Concrete Services, Rail, Shipyard & Marine, Pools & Fountains and Foundry

UNITED STATES

Pasadena, TX (Headquarters)

844.361.7038

Beaumont, TX

409.722.1284

Bristol, PA

215.826.8080

Corpus Christi, TX

361.887.2038

Davenport, IA

563.324.2519

Deer Park, TX

(Service & Rental Location)

281.930.0905

Duluth, GA

800.535.4564

Gonzales, LA

225.647.7575

Harvey, LA

504.367.8090

Houma, LA

985.580.4273

Jacksonville, FL

904.262.2120

Lafayette, LA

337.267.1440

Theodore, AL

251.338.7525

Youngstown, OH

330.448.6267

CANADA

Calgary, Alberta

403.279.1924

Coquitlam, BC

604.464.6979

Edmonton, Alberta

780.468.2588 (Manus)

780.425.5510 (Mod-U-Blast)

Hamilton, Ontario

905.527.6000 / 888.794.5665

Mississauga, Ontario

905.890.5837

Winnipeg, Manitoba

204.256.3324

800-252-7848 / WWW.ALLREDI-US.COM

Allredi™ and Marco® are registered trademarks of Allredi, LLC.

All other brand names or marks are used for identification purposes and are trademarks of their respective owners.

ALLREDI™

Literature #206M547_8/25/22