

54-4458 BINKS 4 oz. SLG GRAVITY FEED CUP ASSEMBLY

The Binks 4 ounce Gravity Feed Cup Assembly is designed to be used with Binks Cub SLG HVLP spray guns. Created from light-weight anodized aluminum, your 4 ounce cup will last for years with proper use. This Part Sheet describes use and cleaning of the cup.

HOW TO USE THE CUP

To attach the 4 ounce cup to your Binks gun, simply screw the cup into the inlet port on your Cub SLG HVLP gun. See illustration.

CAUTION

Take care not to overtighten the cup so as not to damage the cup outlet. Also, do not attempt to remove the cup nut or cup outlet. If damage occurs to these parts or to the integrity of their fitting on the cup, the entire cup assembly must be replaced.

1. Fill the cup with fluid.
2. Attach the lid to the cup, creating a tight seal all the way around the cup's perimeter.
3. Close the lid cap by pressing down firmly until you hear a snap.

WARNING

Regarding solvent safety: Do not use open containers for storage or disposal of solvents, cloth or paper used for surface preparation or cleanup. Solvents contain volatile chemicals that are a cause of pollution and a health and fire hazard. Always wear appropriate clothing, including gloves, eye protection, and a respirator when cleaning the cup.

NOTE

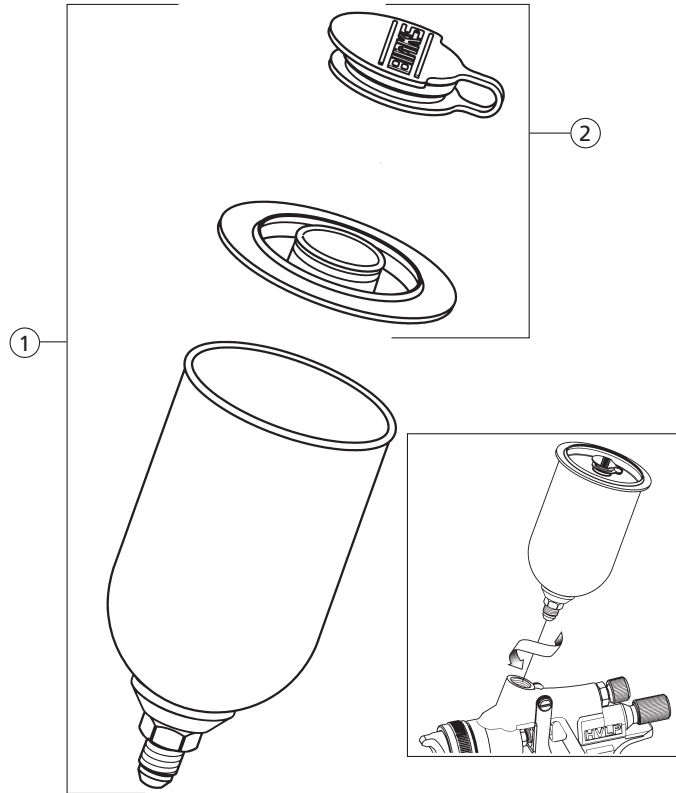
Before removing the cup, you may first wish to clean your Binks gun by flushing solvent from the cup through the gun. Refer to the instructions that came with your gun for detailed instructions on flushing solvent through the gun.

HOW TO CLEAN THE CUP

1. Remove lid.
2. Unscrew cup.
3. Rinse cup with solvent.

NOTE

Never immerse cup or lid in solvent for long periods of time.



PARTS LIST

When ordering, please specify Part No.

ITEM NO.	PART NO.	DESCRIPTION	QTY.
1	54-4458	4 OUNCE ALUMINUM GRAVITY FEED CUP ASSEMBLY	1
2	54-4459	4 OUNCE CUP LID ASSEMBLY	

■ Replacement lids are available in the Lid Assembly Quantity Pack only (54-4539), (3 lids and caps). Gravity cup is NOT sold separately.

Please call 1-800-992-4657 if any of the parts above are not included in this package.

OPTIONAL CUP SIZES:

- 81-381• 8 OUNCE GRAVITY FEED CUP ASSEMBLY
- SRI-510 4 OUNCE ACETAL GRAVITY CUP ASSEMBLY

• Available from Binks distributors only.

CA PROP
65

PROP 65 WARNING

WARNING: This product contains chemicals known to the State of California to cause cancer and birth defects or other reproductive harm.

WARRANTY

This product is covered by Binks' 1 Year Limited Warranty.

77-2719R-7 Revisions: Trademark updates.

Binks Sales and Service: www.binks.com

Binks

Binks has authorized distributors throughout the world. For technical assistance or the distributor nearest you, see listing below.

U.S.A./Canada Customer Service Office:

195 Internationale Blvd., Glendale Heights, IL 60139
Toll-Free Telephone: 1-800-992-4657 (U.S.A. and Canada only)
Toll-Free Fax: 1-888-246-5732

DeVilbiss Automotive Refinishing

Binks has authorized distributors throughout the world. For equipment, parts and service, check the Yellow Pages under "Automotive Body Shop Equipment and Supplies." For technical assistance, see listing below.

U.S.A./Canada Customer Service Office:

11360 S. Airfield Road, Swanton, OH 43558
Toll-Free Telephone: 1-800-445-3988 (U.S.A. and Canada only)
Toll-Free Fax: 1-800-445-6643