



BINKS® 2001 AIR SPRAY GUN



PART NUMBERS AND SCHEMATICS GUIDE

Company Profile

Since 1944, Marco has developed a strong tradition of providing innovative and reliable products and services to the surface preparation and protective coatings industries. We are the world's premier provider of Abrasives, Blasting Equipment, Coating Equipment, Engineered Systems, Rental Equipment, Safety Equipment, Service, and Repair.

Through innovative designs and a total commitment to quality, Marco manufactures products that increase production rates, create a safer workplace, and reduce maintenance costs. Marco's industry experience, manufacturing capabilities, legendary customer service, product availability, logistics services, and technology leadership is your assurance that we deliver high quality products and services, providing the best value to you, our customer.

The Marco Difference

- **Industry Experience** – With Marco on your team, you have access to expertise which can only come from decades of industry leadership. We have organized our engineering department, production specialists, customer operations, and safety support into a “Center of Competence.” As a Marco customer, you have access to hundreds of years of cumulative experience related to your operations.
- **Manufacturing Excellence** – Marco is a U.S. based, ISO 9001:2008 certified manufacturer of equipment for the Surface Preparation and Protective Coatings industries. Marco's engineers benchmark the industry to ensure that we design and manufacture superior products that set the “Gold Standard” for performance, safety, and quality.
- **Legendary Customer Service** – Marco's legendary customer service team is staffed by friendly, highly-trained individuals who are focused on providing the highest level of product support, order accuracy, and customer satisfaction.
- **Product Availability** – We stock over 10,000 SKU's and have over 45 shipping locations to serve North American and International markets for all major brands of blasting and painting equipment. As the largest provider of surface preparation and protective coatings equipment in the world, our inventory levels and product availability are unmatched.
- **Logistics Services** – Marco's in-house logistics team is dedicated to moving your shipment anywhere in the world. We move over 14,000 truckloads every year, allowing you to save on freight costs by leveraging our buying power. Lower your process costs with a single invoice, which includes product and freight.
- **Technology Leadership** – Our website provides: Operator's Manuals, Part Numbers and Schematics Guides, MSDS information, and Features and Specifications Guides, providing access to information 24/7. Our Extranet application allows you to receive quotes and place orders online. Our Intranet maintains a complete record of your purchase history to assist with ongoing support of your existing equipment and future purchasing decisions.

Vision Statement

Marco is the world's premier provider of Abrasives, Blasting Equipment, Coating Equipment, Engineered Systems, Rental Equipment, Safety Equipment, Service, and Repair.

Mission Statement

Marco provides strong leadership and innovation to the surface preparation and protective coatings industries. We dedicate our efforts to the continuous improvement of our products, services, processes, people, and most importantly, the quality of our customer's experience.

Quality Statement

Marco is committed to providing superior quality in the design, manufacturing, distribution, rental, service, and repair of our products. Our ISO 9001:2008 certification extends throughout all operations in all locations. Continuous improvement of our processes and supply chain Integration comprise the core of our business strategy for delivering exceptional quality and value in all Marco products and services.

Management Philosophy

We are a company dedicated to the success of every customer and associate. We discuss, debate, challenge, measure, and test our ideas. We will be boundless and limitless in our passion to improve. Through sound leadership and dedicated associates, we will ensure a long term, profitable future for Marco, our associates, customers, and suppliers.

TABLE OF CONTENTS

Table of Contents	3
Binks® 2001 Air Spray Gun	4-7
Fluid Tips and Needle Specifications.....	4
Air Caps Specifications.....	5
Part Numbers and Schematics.....	6-7

PART NUMBERS AND SCHEMATICS GUIDE



**Part
Number**

FLUID TIPS AND NEEDLES			
Part Number	Cap Number	Orifice Size	Fluid Needle (not included)
20BK456301	63SS	0.8 mm (0.028 in)	20BK4756300
20BK456311	63ASS	1.1 mm (0.040 in)	20BK4756310
20BK456321	63BSS	1.2 mm (0.046 in)	20BK4756310
20BK456331	63CSS	1.3 mm (0.052 in)	20BK4756310
20BK456332	63CVT	1.3 mm (0.052 in)	20BK4757302
20BK456402	64VT	1.6 mm (0.064 in)	20BK4757402
20BK456501	65SS	1.6 mm (0.059 in)	20BK4756500
20BK456601	66SS	1.8 mm (0.070 in)	20BK4756500
20BK456608	66XSS	1.1 mm (0.040 in)	20BK4756500
20BK456605	L6SS	1.8 mm (0.070 in)	20BK4756500
20BK456701	67SS	2.2 mm (0.086 in)	20BK4756700
20BK456702	67VT	2.2 mm (0.086 in)	20BK4757702
20BK456801	68SS	2.8 mm (0.110 in)	20BK4756800
20BK456802	68VT	2.8 mm (0.110 in)	20BK4757802
20BK455911	59ASS	4.3 mm (0.171 in)	20BK4755900
20BK455912	59BSS	5.5 mm (0.218 in)	20BK4755900
20BK455913	59CSS	7.1 mm (0.281 in)	20BK4755900

**Part
Numbers**

RETAINING RING

Description



20BK542065

Binks® 2001 Spray Gun Retaining Ring

PART NUMBERS AND SCHEMATICS GUIDE



**Part
Number**

AIR CAPS

	Cap Number	Retaining Ring Included
20BK462020	709SS	X
20BK4621MD1	21MD-1	X
20BK4621MD2	21MD-2	X
20BK4621MD3	21MD-3	X
20BK466000	63P	X
20BK466002	63PB	X
20BK466061	63PH-1	X
20BK466079	63PR	X
20BK466007	64PA	X
20BK466014	66PE	X
20BK466016	66PH	X
20BK466041	66R	X
20BK466018	66S	X
20BK466020	66SD	X
20BK466082	66SK	X
20BK466092	66SD-3	X
20BK466103	66SDJG	X
20BK466026	67PB	X
20BK466028	67PD	X
20BK466032	68PB	X
20BK462101	101	
20BK462200	200	
20BK461042	R-6SS	
20BK462244	244	
20BK462250	250	
20BK452252	252	
20BK462262	262	

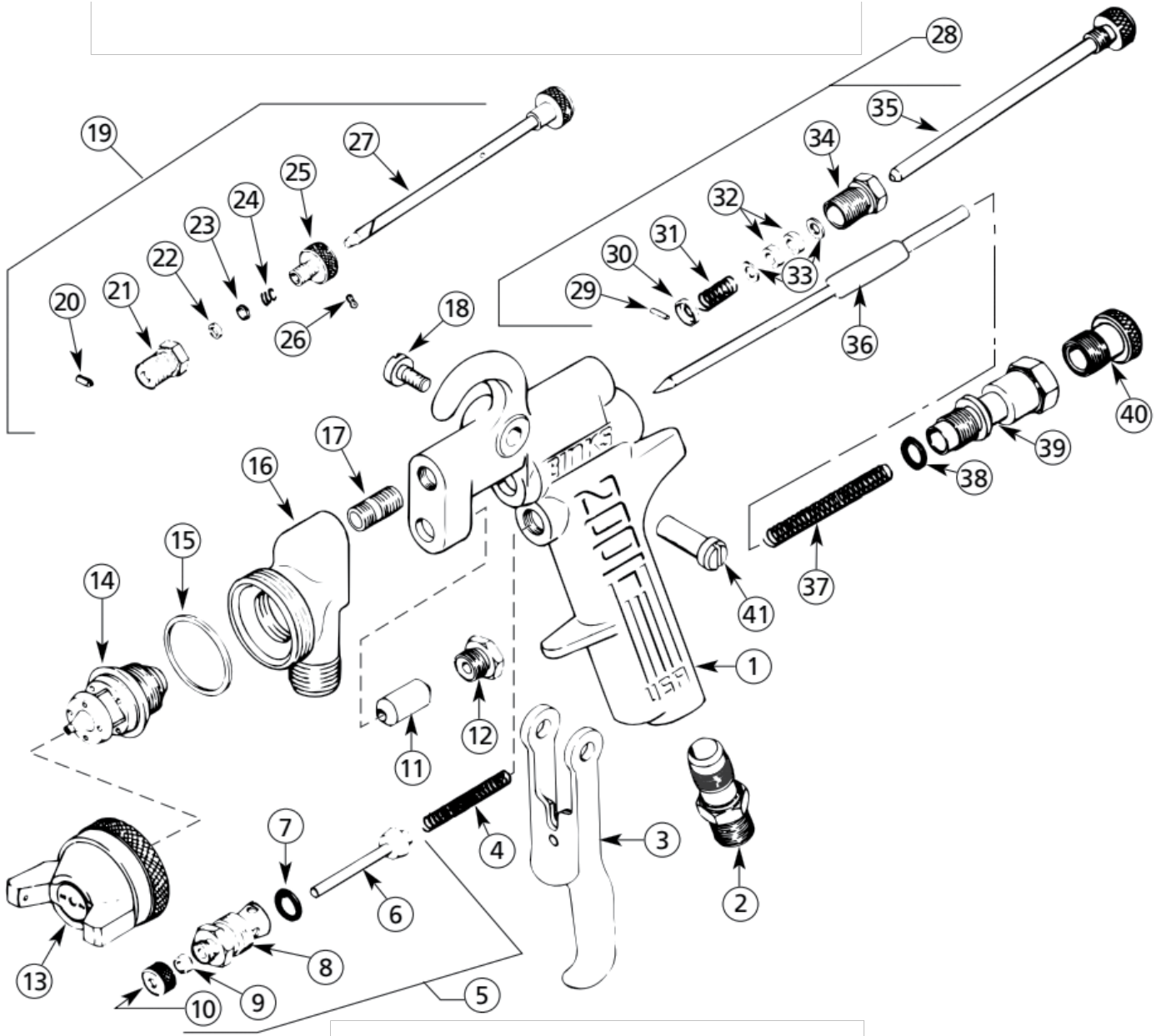
PART NUMBERS AND SCHEMATICS GUIDE

Binks® 2001 Air Spray Gun

Item #	Part #	Description	Item #	Part #	Description
Fig. 1			39	20BK541013	Body
1	—	Body	40	20BK541007	Control Screw
2	20BK54768	Connection	41	20BK541020	Stud
3	20BK541050	Trigger	—	20BK544512	Retaining Ring and Base
4	20BK547505	Spring (<i>Quantity of Five</i>)	—	20BK6229	Service Kit - Binks® 2001 Spray Gun (<i>Includes Item #'s: 4, 6, 7, 9, 11, 15, 18, 29, 31, 32, 37, 38, and 41</i>)
5	20BK541236	Air Valve Assembly	—	20BK5476	Fluid Nozzle Wrench
6	20BK541025	Valve Stem Assembly	—	206M532	Part Numbers and Schematics Guide - Binks® 2001 Spray Gun
7	20BK203757	O-ring	—	209V532	Operator Manual - Binks® 2001 Spray Gun
8	20BK541010	Valve Body			
9	20BK821585	Packing (<i>Quantity of Five</i>)			
10	20BK821355	Nut (<i>Quantity of Five</i>)			
11	20BK2285	Fluid Packing (<i>Quantity of Five</i>)			
12	20BK56164	Nut			
13	—	Air Cap (<i>See Page 5</i>)			
14	—	Fluid Tip (<i>See Page 4</i>)			
15	20BK549185	Gasket (<i>Quantity of Five</i>)			
16	20BK543348	Head			
17	20BK54710	Screw			
18	20BK821265	Screw (<i>Quantity of Five</i>)			
19	20BK541780	Quick Change Side Port Control (<i>Includes Item #'s: 20 – 27</i>)			
20	20BK8495	Pin			
21	20BK541794	Body (<i>optional</i>)			
22	20BK555415	Packing (<i>optional</i>)			
23	20BK55634	Ring (<i>optional</i>)			
24	20BK541804	Spring (<i>optional</i>)			
25	20BK541790	Screw (<i>optional</i>)			
26	20BK203593	Screw (<i>optional</i>)			
27	20BK541780	Stem			
28	20BK543347	Side Port Control			
29	20BK5410145	Pin (<i>Quantity of Five</i>)			
30	20BK5410155	Washer (<i>Quantity of Five</i>)			
31	20BK543045	Spring (<i>Quantity of Five</i>)			
32	20BK547385	Packing (<i>Quantity of Five</i>)			
33	20BK5410165	Washer (<i>Quantity of Five</i>)			
34	20BK541063	Body			
35	20BK541023	Screw			
36	—	Fluid Needle (<i>See Page 4</i>)			
37	20BK5413475	Spring (<i>Quantity of Five</i>)			
38	20BK2052855	O-ring (<i>Quantity of Five</i>)			

PART NUMBERS AND SCHEMATICS GUIDE

Figure 1: Binks® 2001 Air Spray Gun



GLOBAL HEADQUARTERS

- 3425 East Locust Street
Davenport, IA 52803

ph: 800.BLAST.IT (800.252.7848)

ph: 563.324.2519

fax: 563.324.6258

GULF STATES HEADQUARTERS

- 701 East Boulevard
Deer Park, TX 77536

ph: 800.BLAST.IT (800.252.7848)

ph: 281.930.0905

fax: 281.542.0736

REGIONAL BRANCH OFFICES

- **Iowa**
Davenport
- **Louisiana**
Gonzales
Lafayette
- **Ohio**
Youngstown
- **Texas**
Beaumont
Corpus Christi
Deer Park



ABRASIVES

BLASTING

COATING

DUST COLLECTORS

ENGINEERED SYSTEMS

RENTAL

SAFETY

SERVICE & REPAIR

VACUUMS

40+ NATIONWIDE SHIPPING LOCATIONS



★ Marco Regional Branch Offices
and Shipping Locations

● Direct Shipping Locations

CONTACT MARCO

800.BLAST.IT

(800.252.7848)

563.324.2519

FAX: 563.324.6258

WWW.MARCO.US

SALES@MARCO.US