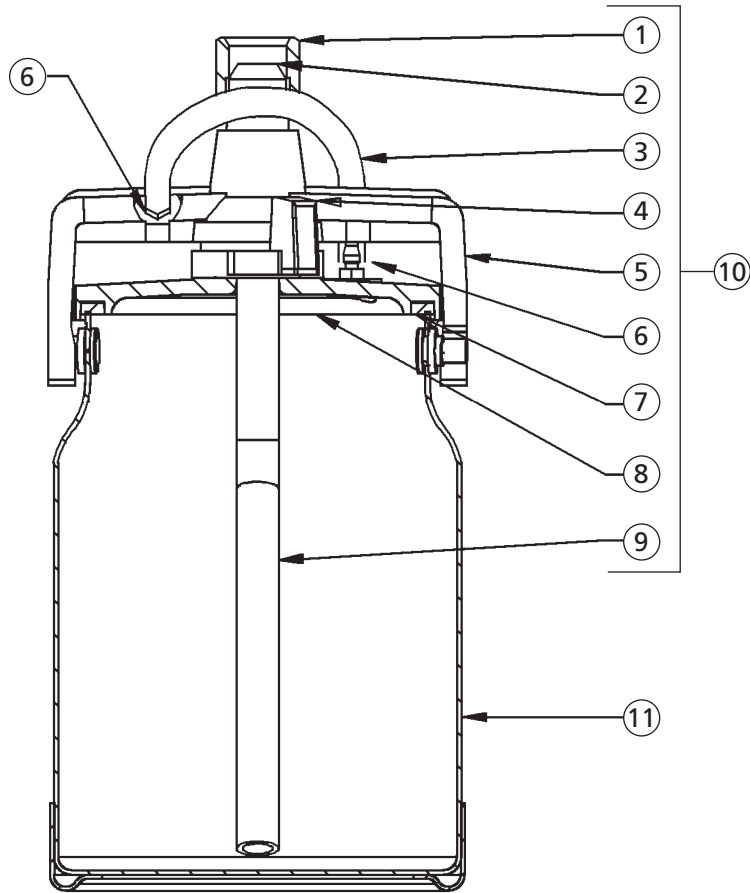




Binks MODEL 81-800 DRIP-PROOF 1-QUART ALUMINUM SIPHON CUP ASSEMBLY 3/8 NPS (F) THREAD SWIVEL NUT



NOTE

Keep tube and tube connectors clean of paint. Accumulation of paint in the tube or connectors can plug them and prevent the siphon action.

PARTS LIST

When ordering, please specify Part No.

ITEM NO.	PART NO.	DESCRIPTION	QTY.	ITEM NO.	PART NO.	DESCRIPTION	QTY.
1	—●	SWIVEL NUT.....	1	8	—	COVER MACHINING.....	1
2	—●	ADAPTER	1	9	—	TUBE (Fluid)	1
3	81-803●▲	DRIP PROOF TUBE (Plus One Spare)....	2	10	81-801**	COVER ASSEMBLY	1
4	—●	LEVER	1	11	82-428-2	ONE QUART CUP ASSEMBLY	1
5	—	YOKE	1				
6	81-307●	CONNECTOR	2				
7	TGC-9*●	GASKET	1				

● Available in 81-806 Cup Cover Repair Kit.
 ▲ Available in quantity pack. Order 81-803-K5 (quantity of 5).
 * Available in quantity pack. Order TGC-9-K5 (quantity of 5).
 ** 81-801 Cover Assembly can be purchased separately.

**CA PROP
65**

PROP 65 WARNING
 WARNING: This product contains chemicals known to the State of California to cause cancer and birth defects or other reproductive harm.

Replaces Part Sheet 77-2794R-6 | Part Sheet 77-2794R-7

In this part sheet, the words **WARNING**, **CAUTION** and **NOTE** are used to emphasize important safety information as follows:





⚠ WARNING
 Hazards or unsafe practices which could result in severe personal injury, death or substantial property damage.

⚠ CAUTION
 Hazards or unsafe practices which could result in minor personal injury, product or property damage.

NOTE
 Important installation, operation or maintenance information.

⚠ WARNING

The following hazards may occur during the normal use of this equipment.
 Read the following chart before using this equipment.

HAZARD	CAUSE	SAFEGUARD
Fire 	Solvent and coatings can be highly flammable or combustible, especially when sprayed.	Do not spray near open flames, pilot lights in stoves or heaters, or other heat sources. Adequate ventilation must always be provided. Industrial applications must comply with OSHA requirements.
Solvent Spray 	During cleaning and flushing, solvents can be forcefully expelled from fluid and air passages. Some solvents can cause eye injury or irritation.	Wear eye protection.
Inhaling Toxic Substances 	Certain materials may be harmful if inhaled, or if there is contact with the skin.	Follow the requirements of the Material Safety Data Sheet supplied by your coating material manufacturer. Adequate exhaust must be provided to keep the air free of accumulations of toxic materials. Use a mask or respirator whenever there is a chance of inhaling sprayed materials. The mask must be compatible with the material being sprayed and its concentration. Equipment must be as prescribed by an industrial hygienist or safety expert, and be NIOSH approved.
Explosion Hazard – Incompatible Materials 	Chlorinated solvents such as 1, 1, 1-Trichloroethane and Methylene Chloride (sometimes called methyl chloride) can chemically react with the aluminum used in most spray equipment, and these cups, to produce an explosion hazard.	Read the label or data sheet for the material you intend to spray. Do not use any type of spray coating material containing these solvents. Do not use these solvents for equipment cleaning or flushing. If in doubt as to whether a material is compatible, contact your material suppliers.

FOR FURTHER SAFETY INFORMATION REGARDING BINKS AND DEVILBISS EQUIPMENT, SEE THE GENERAL EQUIPMENT SAFETY BOOKLET (77-5300).

WARRANTY

This product is covered by Binks' 1 Year Limited Warranty.

Binks Sales and Service: www.binks.com



U.S.A./Canada Customer Service
 195 Internationale Blvd.
 Glendale Heights, IL 60139
 630-237-5000

Toll Free Customer Service and Technical Support
 800-992-4657

 Toll Free Fax
 888-246-5732

77-2794R-7 Revisions: Trademark updates.