



# MARCO® 400 CFM AIR DRYER



## PART NUMBERS AND SCHEMATICS GUIDE

## Company Profile

Allredi was formed in the early 2020, when two of the largest distributors in the blasting, coating, safety, and environmental industry, APE Companies and Marco Group International, joined forces. While the qualities both companies are known for have not changed, a lot about our business is new. New abilities. New agilities. New ways to help you win. This calls for a new name, Allredi.

This name exemplifies what we have become. It is completely oriented to the needs of our customers. To your needs. It says that when you call us for anything – products, service, expert advice, anything – you can consider it done. Or even better, Allredi done.

We are your right-now supplier. From skills to SKUs, we deliver the goods fast. So you can be more agile every minute, every day. This is who we are. This is what our new name means. Go ahead and expect excellence, because we're bringing it.

## Our Mission and Vision

To be the industry's preferred partner in surface preparation solutions through unrivaled technical expertise, customer experience, product availability, and tailored service offerings.

## The Allredi Difference

- **Industry Experience** – With Allredi on your team, you have access to expertise which can only come from decades of industry leadership. We have organized our engineering department, production specialists, customer operations, and safety support into a “Center of Competence.” As an Allredi customer, you have access to hundreds of years of cumulative experience related to your operations.
- **Manufacturing Excellence** – Allredi is a U.S. based manufacturer of equipment for the Surface Preparation and Protective Coatings industries. Allredi's engineers benchmark the industry to ensure that we design and manufacture superior products that set the “Gold Standard” for performance, safety, and quality.
- **Legendary Customer Service** – Allredi's legendary customer service team is staffed by friendly, highly-trained individuals who are focused on providing the highest level of product support, order accuracy, and customer satisfaction.
- **Product Availability** – We stock over 10,000 SKU's and have over 45 shipping locations to serve North American and International markets for all major brands of blasting, coating, environmental, and safety equipment. Allredi is your right-now supplier, so you can keep your projects moving. From our foundation of strong relationships, we have built a nationwide network that puts vast inventory and ready service close to our customers. We provide advanced expertise, and we deliver the goods fast – so you can easily access the products and services you need to me more agile every minute, every day.
- **Technology Leadership** – Our website provides: Operator's Manuals, Part Numbers and Schematics Guides, SDS information, and key product features and specifications, providing access to information 24/7.

# TABLE OF CONTENTS

<b>Company Profile</b> .....	<b>2</b>
<b>Table of Contents</b> .....	<b>3</b>
<b>Part Numbers</b> .....	<b>4</b>
<b>Specifications</b> .....	<b>5</b>
<b>Part Numbers &amp; Schematics</b> .....	<b>6-19</b>
Marco® 400 CFM Air Dryer .....	6-7
Aftercooler Assembly—Pneumatic .....	8
Aftercooler Assembly—Electric .....	9
Transfer Hose Assembly .....	10
Inlet Filter Assembly .....	11
Air Regulator/Lubricator .....	12
Inspection Door Assembly .....	13
Outlet Filter .....	14
Desiccant Tablets and Spherical Tower Packing . . .	15
<b>Optional Accessories</b> .....	<b>15-17</b>
Desiccant Tablets .....	15
Spherical Tower Packing .....	15
Airflow Shutoff Kits – Lug Fittings .....	16
Airflow Shutoff Kits – Hammerlock Fittings .....	16
Inlet/Outlet Bushing .....	17
Pipe Plugs .....	17
Lubrication .....	17
<b>Maintenance Notes</b> .....	<b>18-19</b>

## PART NUMBERS

<b>Marco® 400 CFM AIR DRYER</b>									
<b>Part Numbers</b>	Inlet			Outlet			<b>Power Source</b>	<b>Filter, Regulator, and Lubricator</b>	<b>Electric Starter Box</b>
	Inlet Quantity	Inlet Size	Fittings	Outlet Quantity	Outlet Size	Fittings			
<b>10109755</b>	1	3"	Not Included	5	(2) 3", (1) 1-1/4", (2) 1"	Not Included	Pneumatic	Included	Not Included

\* Inlet fittings include 3" (M) x 2" (F) Reducing Bushing. Outlet fittings include 3" (M) x 2" (F) Reducing Bushing.

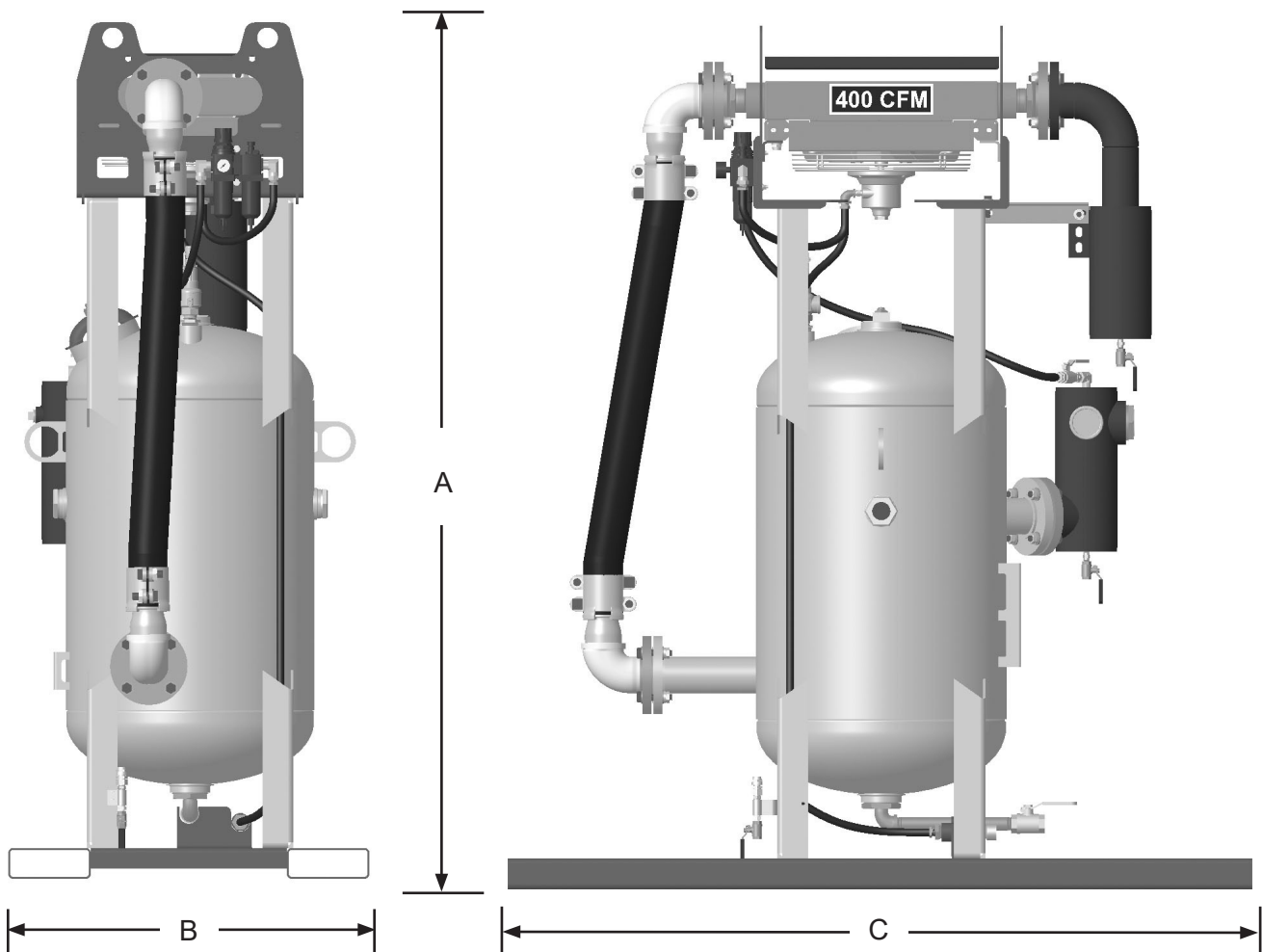
**Dessicant tablets not included with Marco® 400 CFM Air Dryers**

# SPECIFICATIONS

**Lubrication:** SAE 10 oil or Air Tool Anti-freeze Lubricant

**Empty Weight:** 900 Pounds

**Overall Dimensions:** A: 83"  
B: 35"  
C: 72"



Pneumatic model shown.

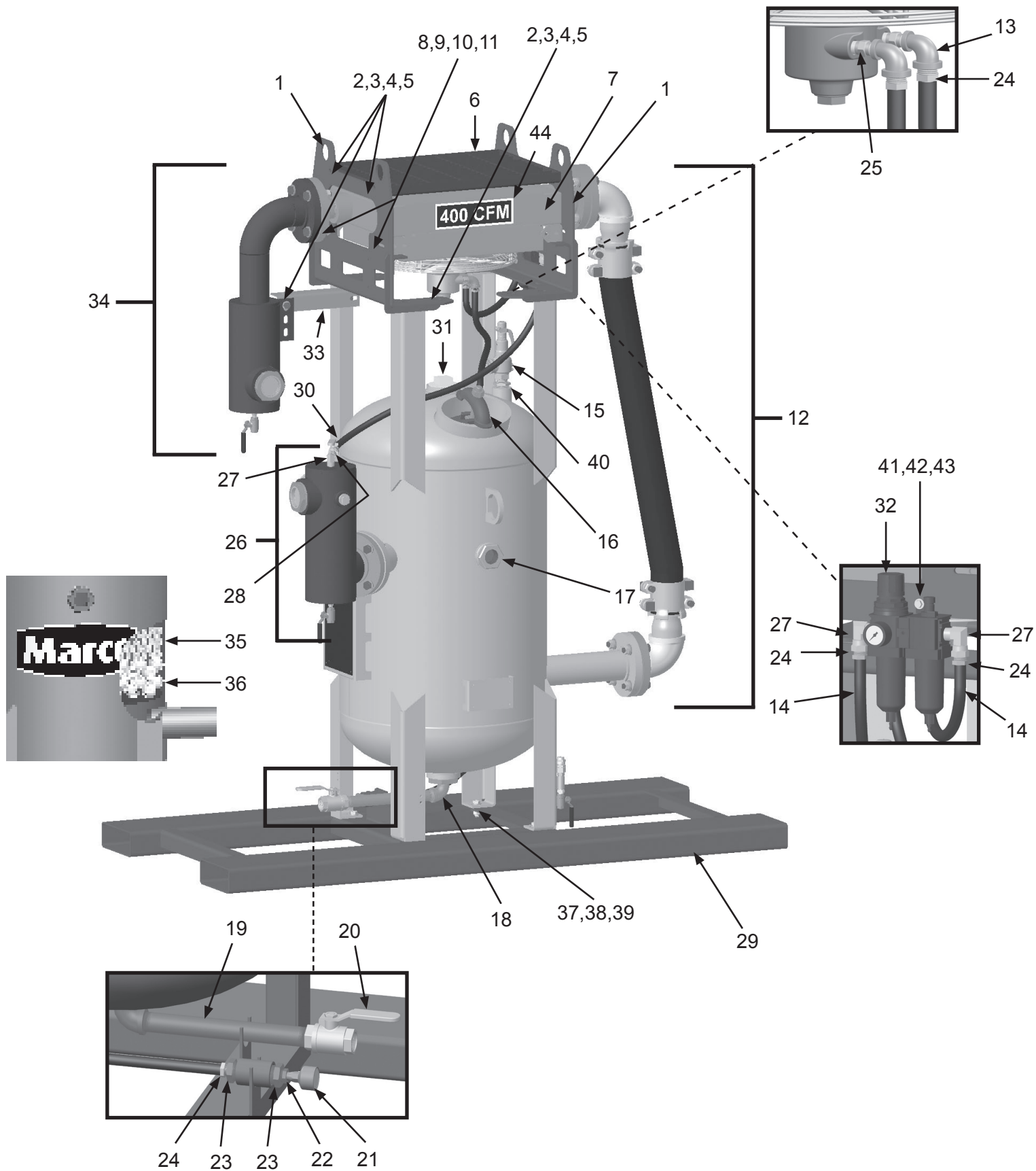
## PART NUMBERS & SCHEMATICS

### Marco® 400 CFM Air Dryer—Pneumatic

Item #	Part #	Description	Item #	Part #	Description
<b>Fig. 1</b>			24	10PAF050	1/2" Push on Air Hose Fitting (Six Required)
—	<b>10109755</b>	<b>Marco® 400 CFM Air Dryer – Pneumatic</b>	25	1017019	1/4" x 1/4" Hex Nipple (Two Required)
1	10101176	400-1600 CFM Heat Exchanger Mounting Bracket (Two Required)	26	—	Outlet Filter Assembly (See Fig. 8)
2	10101943	1/2-13 x 1-3/4" Hex Bolt Galvanized (10 Required)	27	10SAP1290	1/2" 90° Swivel (Three Required)
3	10100674	1/2" Flat Washer Galvanized (20 Required)	28	20100677	1/2" NPT Hex Nipple
4	10100675	1/2" Split Lock Washer Galvanized (10 Required)	29	10101024	Skid Weldment
5	10101941	1/2-13 Hex Nut Galvanized (10 Required)	30	10L363	1/2" NPT Full Port Ball Valve
6	10101179	Heat Exchanger Protective Grate	31	10101034	3" NPT Galvanized Pipe Plug
7	10TTAHP4005	400 CFM Aftercooler - Pneumatic (See Fig. 2)	32	10105890	Filter/Regulator/Lubricator with Pressure Gauge (See Fig. 6)
8	10101059	3/8-16 x 1-1/4" Bolt Galvanized (Four Required)	33	10101170	Moisture Separator Brace
9	10101942	3/8" Flat Washer Galvanized (Eight Required)	34	—	Inlet Filter Assembly (See Fig. 5)
10	10L805015	3/8" Lock Washer Galvanized (Four Required)	35	—	Desiccant Tablets - Not Included (See Fig. 9)
11	10101938	3/8 -16 Hex Nut Galvanized (Four Required)	36	10103922	Spherical Tower Packing (See Fig. 9)
12	—	Transfer Hose Assembly (See Fig. 4)	37	10107495	1/2-13 x 1-5/8" Grade 8 Hex Bolt Zinc (Four Required)
13	10101185	1/2" x 1/4" 90° Reducing Elbow (Two Required)	38	10107496	1/2-13 Grade 8 Lock Nut Zinc (Four Required)
14	10AH012	1/2" I.D. Air Hose (Per Foot)	39	10104711	1/2" Grade 8 Flat Washer Zinc (Eight Required)
15	10E1POPOFF150	Pop Off Valve	40	1012157	1-1/4" M x 1" F Bushing
16	—	Inspection Door Assembly (See Fig. 7)	41	1012154	1/4-20 x 1" Hex Bolt (Two Required)
17	10101688	2" NPT Sight Glass	42	10101939	1/4-20 Stainless Steel Lock Nut with Nylon Insert (Two Required)
18	1011801	1" NPT Street Elbow	43	101407	1/4" Flat Washer (Four Required)
19	10101064	1" X 12" NPT Pipe Nipple	44	1094535	400 CFM Product Sticker
20	1011601	1" NPT Full Port Ball Valve	—	1070517	Pneumatic Tool Oil — 32 oz.
21	10101784	Aftercooler Exhaust Muffler – 250 CFM–750 CFM	—	106M182	Part Numbers and Schematics Guide Marco® 400 CFM Air Dryer
22	1011818	1/2" x 1/4" Galvanized Bushing	—	1091182	Operator's Manual – Marco® 400 CFM Dryer
23	1011812	1" Male x 1/2" Female Bushing			

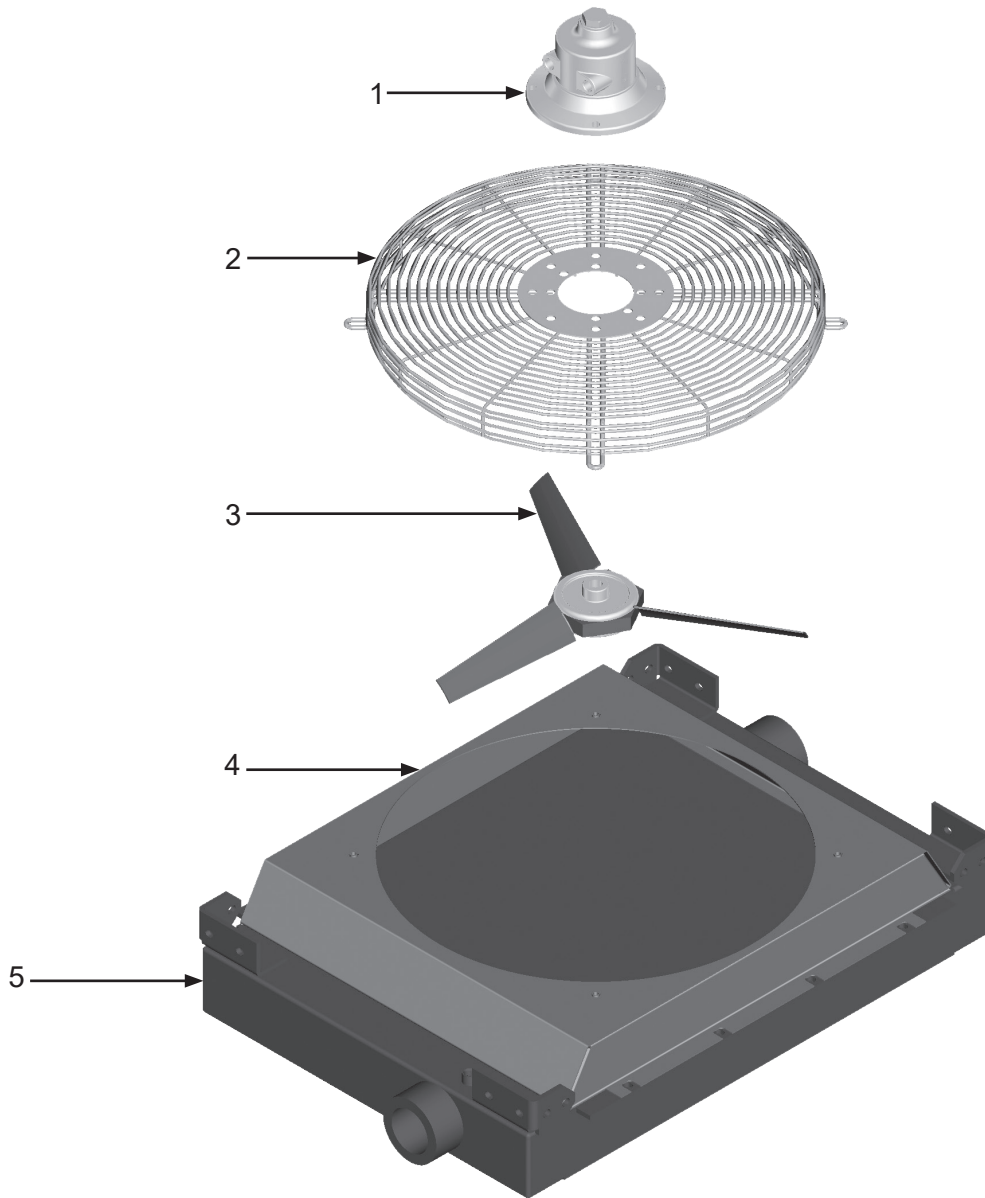
# PART NUMBERS AND SCHEMATICS

Figure 1: Marco® 400 CFM Air Dryer—Pneumatic



## PART NUMBERS AND SCHEMATICS

Figure 2: Aftercooler Assembly—Pneumatic

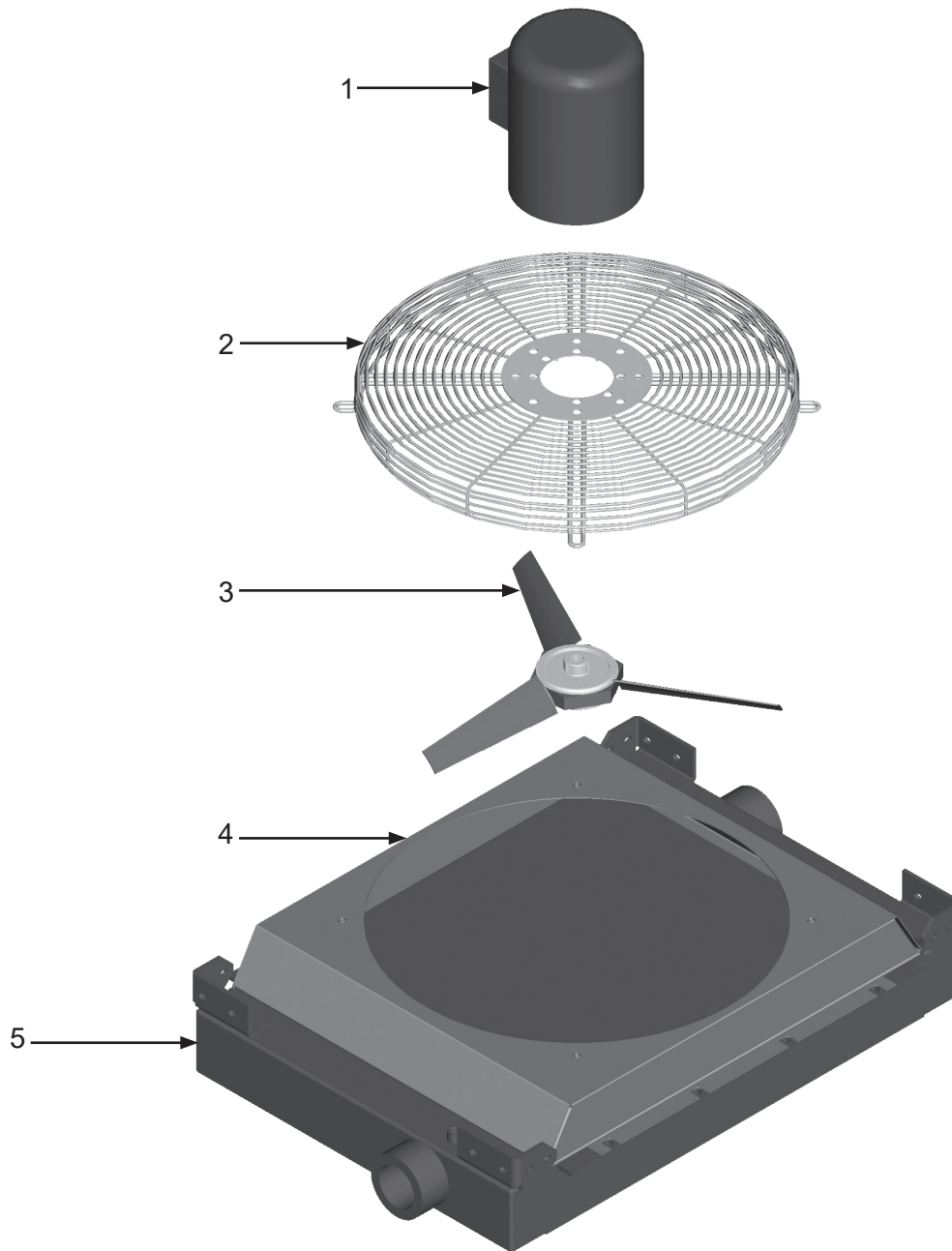


Item #	Part #	Description
<b>Fig. 2</b>		
—	<b>10TTAHP4005</b>	<b>400 CFM Aftercooler—Pneumatic—Complete</b>
1	10101780	Air Motor
2	10101788	Fan Guard
3	10101787	Fan Blade Assembly (Includes Blades and Hub)
4	10103983	Aftercooler Shroud
5	10101786	Aftercooler Core
—	10101781	Air Motor Service Kit (Includes: shaft seal, drive end bearing, dead end bearing, four vanes, four push pins, four vane springs, shim, end cap gasket, muffler cartridge, and muffler felt)



## PART NUMBERS AND SCHEMATICS

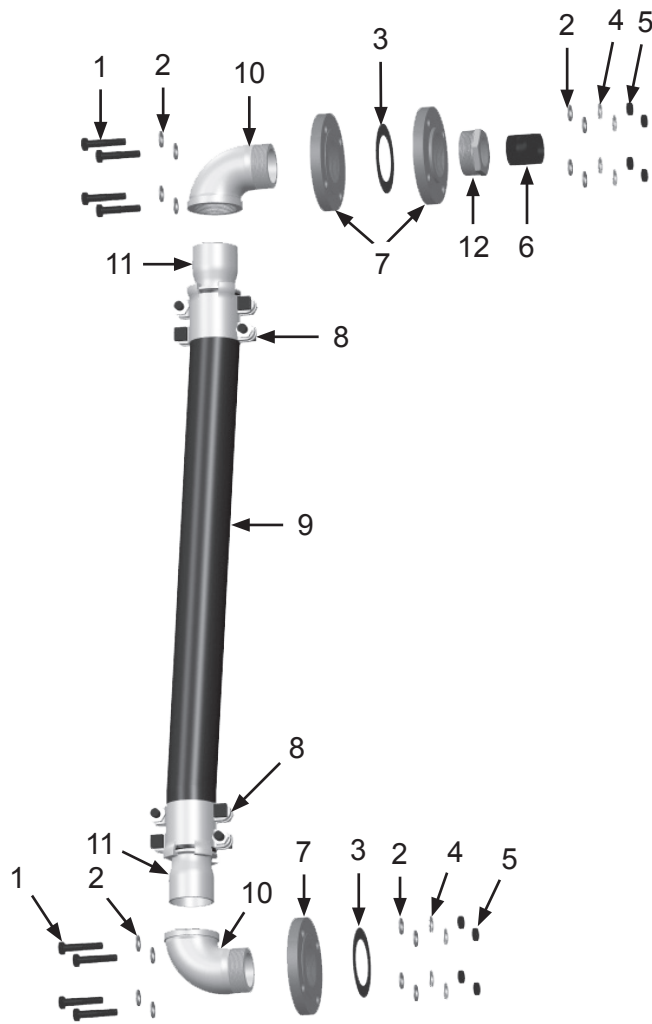
Figure 3: Aftercooler Assembly—Electric



Item #	Part #	Description
—	<b>10TTAHP4002</b>	<b>400 CFM Aftercooler—Electric—Complete</b>
1	10101789	Electric Motor – (115 Volt to 208-230 Volt) – Single Phase
2	10101788	Fan Guard
3	10101787	Fan Blade Assembly (Includes Blades and Hub)
4	10103983	Aftercooler Shroud
5	10101786	Aftercooler Core

# PART NUMBERS AND SCHEMATICS

Figure 4: Transfer Hose Assembly



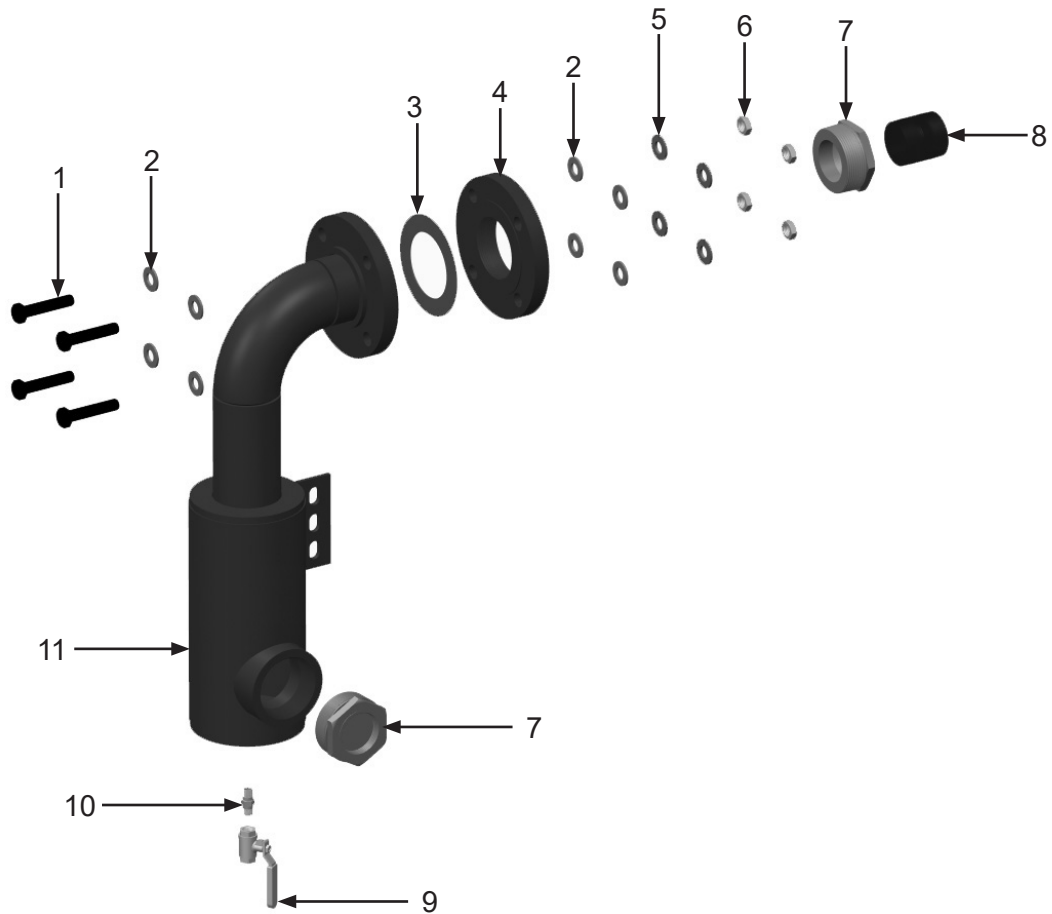
Item #	Part #	Description
--------	--------	-------------

Fig. 4

1	10101058	5/8-11 x 3" Grade 8 Bolt (Eight Required)
2	10101060	5/8" Flat Washer (16 Required)
3	10101047	Flange Gasket (Two Required)
4	10103399	5/8" Grade 8 Split Lock Washer (Four Required)
5	10103393	5/8-11 Grade 8 Hex Nut (Four Required)
6	1001806	2" NPT Close Nipple
7	10101041	3" NPT Threaded Flange (Three Required)
8	10BU35	3" Boss Clamp (Two Required)
9	10101045	3" x 2-1/2' Steel Reinforced Air Hose (Per Foot)
10	10101148	3" NPT Street Elbow (Two Required)
11	10101754	3" NPT Hose Stem (Two Required)
12	10101183	3" (M) x 2" (F) Bushing

## PART NUMBERS AND SCHEMATICS

Figure 5: Inlet Filter Assembly



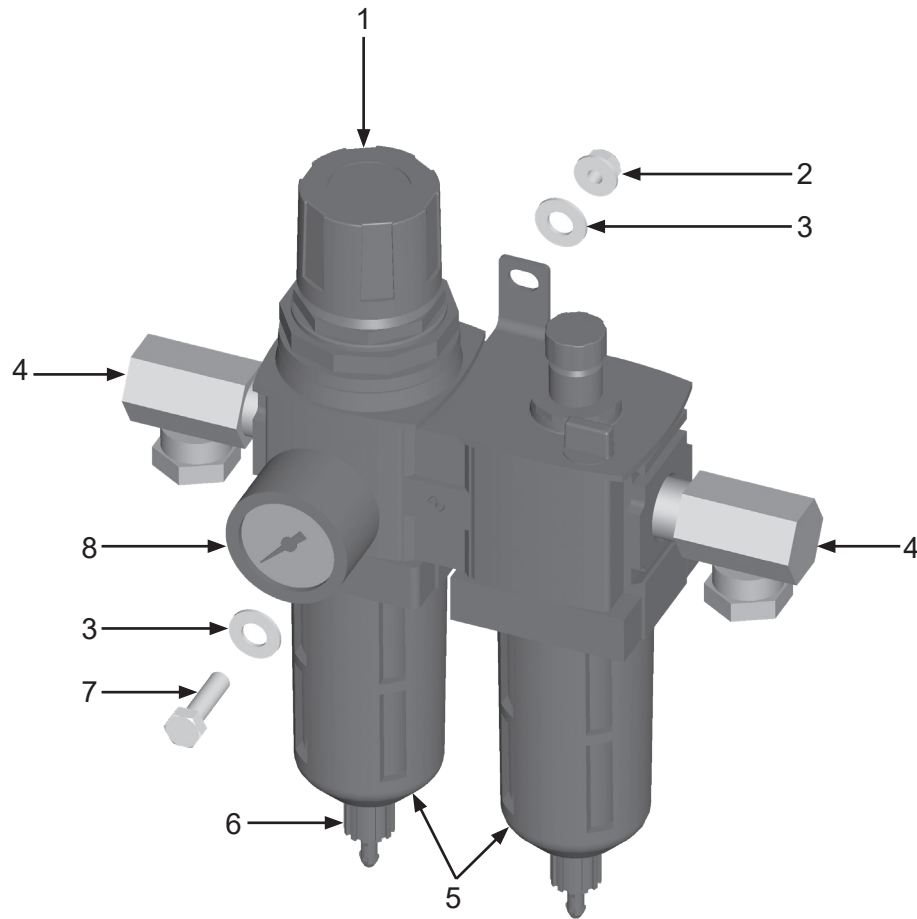
Item #	Part #	Description
--------	--------	-------------

Fig. 5

1	10101058	5/8-11 X 3" Grade 8 Bolt (Four Required)
2	10101060	5/8" Flat Washer (Eight Required)
3	10101047	Flange Gasket
4	10101041	3" NPT Threaded Flange
5	10103399	5/8" Grade 8 Split Lock Washer (Four Required)
6	10103393	5/8-11 Grade 8 Hex Nut (Four Required)
7	10101183	3" to 2" Bushing (Two Required)
8	1001806	2" NPT Close Nipple
9	1080050	1/4" NPT Full Port Ball Valve
10	1017019	1/4" NPT Hex Nipple
11	10101049	Inlet Moisture Separator

## PART NUMBERS AND SCHEMATICS

Figure 6: Air Filter/Regulator/Lubricator



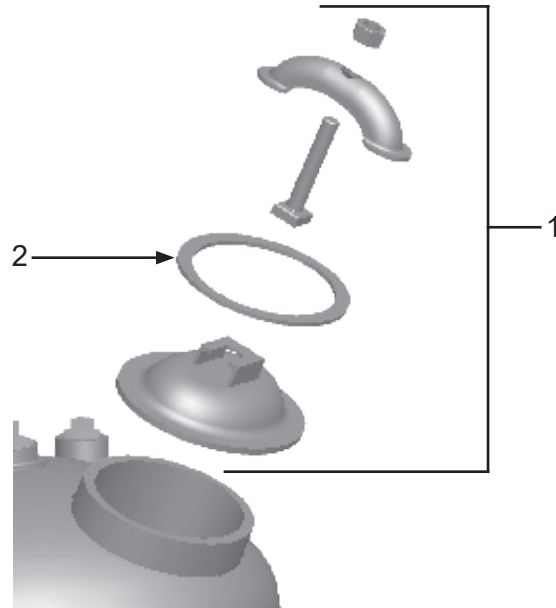
Item #	Part #	Description
--------	--------	-------------

Fig. 6

1	10101232	Filter/Regulator/Lubricator with Pressure Gauge
2	10101939	1/4" Nylon Insert Lock Nut (Two Required)
3	1014017	1/4" Flat Washer (Four Required)
4	10SAP1290	1/2" 90° Swivel (Two Required)
5	10101235	Polycarbonate Bowl (Two Required)
6	10101234	Manual Drain
7	1012154	1/4-20 X 1" Bolt (Two Required)
8	1028606	Pressure Gauge – 0-160 PSI 1/4" – Back Mount
–	10101233	Filter Element
–	1070517	Pneumatic Tool Oil–32 oz. bottle

## PART NUMBERS AND SCHEMATICS

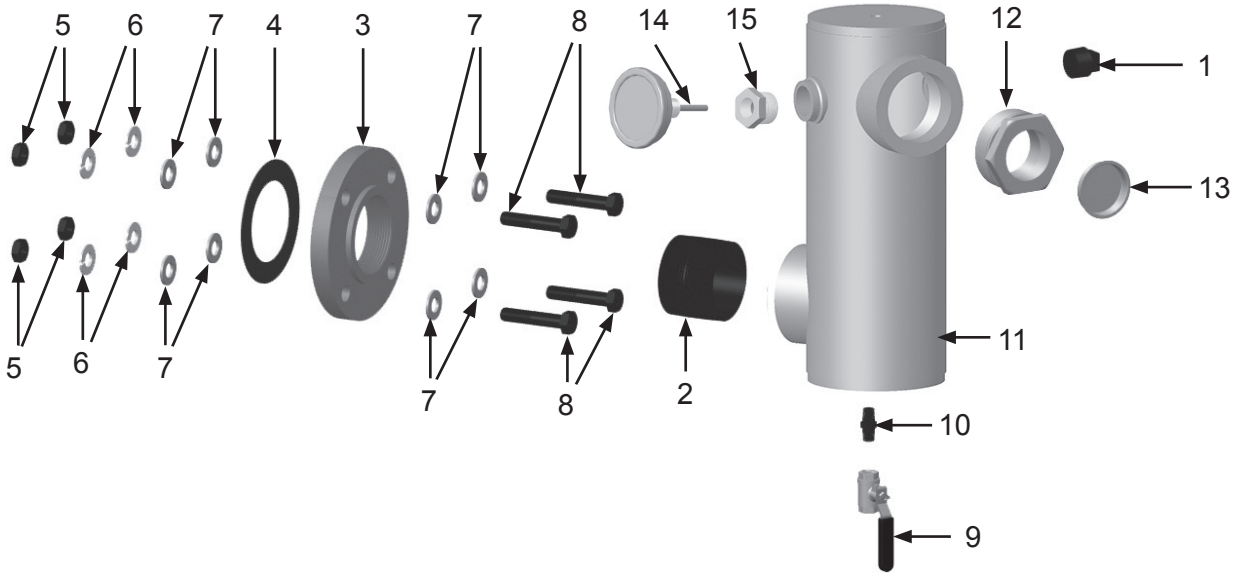
Figure 7: Inspection Door Assembly



Item #	Part #	Description
<b>Fig. 7</b>		
1	10106105	<b>Air Dryer Inspection Door Assembly – Complete</b> <i>Includes Item #2</i>
2	1006201	Inspection Door Gasket

## PART NUMBERS AND SCHEMATICS

Figure 8: Outlet Filter



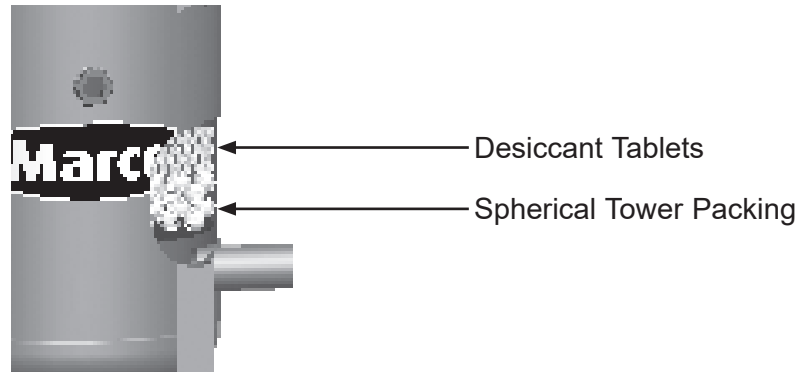
Item #	Part #	Description
--------	--------	-------------

Fig. 8

1	1011901	1" Galvanized Square Head Pipe Plug
2	10101040	3" Galvanized Close Nipple
3	10101041	Flange
4	10101047	Flange Gasket
5	10103393	5/8-11 Grade 8 Hex Nut ( <i>Four Required</i> )
6	10103399	5/8" Lock Washer ( <i>Four Required</i> )
7	10101060	5/8" x 1-5/16" Stainless Steel Flat Washer ( <i>Eight Required</i> )
8	10101058	5/8-11 x 3" Grade 8 Hex Bolt ( <i>Four Required</i> )
9	1080050	1/4" Ball Valve
10	1017019	1/4" x 1/4" Hex Nipple
11	10101686	Outlet Filter Body
12	10101183	3" (M) x 2" (F) Bushing
13	10101237	Transport Plug
14	10109757	Thermometer 1/2" NPT 0-200 Deg
15	1011812	1" Male X 1/2" Female Bushing

## OPTIONAL ACCESSORIES





**Figure 9: Desiccant Tablets and Spherical Tower Packing**








<b>DESICCANT TABLETS</b>		
<b>Part Numbers</b>	<b>Package Weight</b>	<b>Packaging</b>
10V330311	50 pounds	Bag
15V330313	50 pounds	Pail
15V330203	506 pounds	Steel Drum
15V330284	2000 pounds	Bulk Bag

<b>SPHERICAL TOWER PACKING</b>	
<b>Part Numbers</b>	<b>Unit of Measure</b>
10103922	1 Cubic Foot


## OPTIONAL ACCESSORIES






AIRFLOW SHUTOFF KITS – LUG FITTINGS					
	<b>Part Numbers</b>	<b>Pipe String I.D.</b>	<b>Close Nipple</b>	<b>Full Port Ball Valve</b>	<b>Coupling</b>
	<b>10103731</b>	1"	1012151	1011601	10ME2
	<b>10103732</b>	1-1/4"	1011201 <i>(Quantity of Two)</i>	1011602	10ME3
	<b>10103733</b>	1-1/2"	1014015 <i>(Quantity of Two)</i>	1011603	10ME4
	<b>10103734</b>	2"	1001806 <i>(Quantity of Two)</i>	1011604	10ME5

AIRFLOW SHUTOFF KITS – HAMMERLOCK FITTINGS					
	<b>Part Numbers</b>	<b>Pipe String I.D.</b>	<b>Close Nipple</b>	<b>Full Port Ball Valve</b>	<b>Coupling Spud</b>
	<b>10103830</b>	1"	10102151 <i>(Quantity of Two)</i>	1011601	10DXGB13
	<b>10103831</b>	1-1/4"	1011201 <i>(Quantity of Two)</i>	1011602	10DXGB18
	<b>10103832</b>	1-1/2"	1014015 <i>(Quantity of Two)</i>	1011603	10DXGB23
	<b>10103833</b>	2"	1001806 <i>(Quantity of Two)</i>	1011604	10DXGB28
	<b>10103934</b>	3"	10101040 <i>(Quantity of Two)</i>	1011608	10GB38



## OPTIONAL ACCESSORIES

	Part Numbers	INLET/OUTLET BUSHING
		Size
	10101183	Galvanized 3" MNPT x 2" FNPT Bushing

	Part Numbers	GALVANIZED SQUARE HEAD PIPE PLUGS
		Size
	1011901	1"
	1011902	1-1/4"
	1011101	1-1/2"
	1011823	2"
	10101034	3"

Part Numbers	LUBRICATION
1070517	Pneumatic Air Tool Oil - 32 oz. bottle







## ALLREDI THERE

Serving these industries: Bridge, Pipeline, Tank & Tower, Concrete Services, Rail, Shipyard & Marine, Pools & Fountains and Foundry

### UNITED STATES

**Pasadena, TX** (*Headquarters*)  
844.361.7038

**Beaumont, TX**  
409.722.1284

**Bristol, PA**  
215.826.8080

**Corpus Christi, TX**  
361.887.2038

**Davenport, IA**  
563.324.2519

**Deer Park, TX**  
(*Service & Rental Location*)  
281.930.0905

**Duluth, GA**  
800.535.4564

**Gonzales, LA**  
225.647.7575

**Harvey, LA**  
504.367.8090

**Houma, LA**  
985.580.4273

**Jacksonville, FL**  
904.262.2120

**Lafayette, LA**  
337.267.1440

**Theodore, AL**  
251.338.7525

**Youngstown, OH**  
330.448.6267

### CANADA

**Calgary, Alberta**  
403.279.1924

**Coquitlam, BC**  
604.464.6979

**Edmonton, Alberta**  
780.468.2588 (Manus)  
780.425.5510 (Mod-U-Blast)

**Hamilton, Ontario**  
905.527.6000 / 888.794.5665

**Mississauga, Ontario**  
905.890.5837

**Winnipeg, Manitoba**  
204.256.3324

**800-252-7848 / WWW.ALLREDI-US.COM**

Allredi™ and Marco® are registered trademarks of Allredi, LLC.  
All other brand names or marks are used for identification purposes and are trademarks of their respective owners.

**ALLREDI™**

Literature #106M182\_9/20/2022