



Pressure Steel Shot (PSS) Series Blast Cabinet Owner's Manual



SUPERIOR PERFORMANCE And Quality In Blast Cleaning Equipment

	! WARNING
	READ MANUAL Failure to read, understand & follow all safety and operation procedures in this manual can cause injury or death. Manuals that are lost, incomplete, or damaged, must be replaced immediately Manual # PSS1610

Table of Contents

Important Notice	3
Warnings	4
Important Safety Items	5
Basic Principles	6
Set-Up Requirements	6, 7
Blast Media	7
Cabinet Installation (PSS4836-6FH / 6F)	8
Cabinet Installation (PS4836-62C)	9
PSS Series Cabinet Operation	10
PSS Series Cabinet & Dust Collector Maintenance	11
PSS Series Blast Pot Components	12
PSS Series Cabinet Parts	13
PSS Series Cabinet Parts cont'd	14
PSS Series Cabinet & Pilot Line Schematic and Parts ..	15
Auto Air Inlet Valve Schematic (281000)	16
Exhaust (Dump) Valve Schematic (EE03371)	17
Exhaust (Dump) Valve Schematic (290375)	18
Micro (Media) Valve Schematic (EE2125-107)	19
PSS Series Trouble Shooting	20, 21
CSA Certificate of Compliance	22
Upgrade Kits & Options	23
Warranty Coverage	24

Important Notice

TO DISTRIBUTORS, PURCHASERS AND END USERS OF MOD-U-BLAST PRODUCTS

The information provided described and illustrated in this material is intended for experienced, knowledgeable users of abrasive blasting equipment and supplies(products).

The products described in this material may be combined as determined solely by the user in a variety of ways and purposes. However no representations are made as to intended use, performance standards, engineering suitability, safe practices or compliance with government regulations and laws that apply to these products, products of others, or a combination of various products chosen by the user or others. It is the responsibility of the users of these products, products of third parties, and a combination of various products, to exercise caution and familiarize themselves with all applicable laws, government regulations and safety requirements.

Nor are representations made or intended as to the useful life, maintenance cycles, efficiency or performance of the referenced products of any combination of products. This material must not be used for estimating purposes. Production rates, labour performance or surface finishes are the sole responsibility of the user based on the user's expertise, experience and knowledge of industry variables.

It is the responsibility of the user to insure that proper and comprehensive training of operators has been performed and all environmental and safety precautions observed.

Mod-U-Blast Inc. provides a variety of excellent products to the surface preparation industry, and we are confident that all proficient users, operators and contractors in this industry will continue to use our products in a safe and knowledgeable manner.

Before using this product, read all instructions, literature, labels, specifications and warnings sent with and affixed to the unit.

If operation of the unit is unclear after reading this manual, contact your supervisor for instructions. It is the responsibility of the employer to read the following instructions to users of this equipment. Periodic inspection at the work site should be made by supervisory personnel to ensure the blast machine is being properly used and maintained. A copy of this owner's manual must be kept with the blast machine and readily accessible to the blast machine operators at all times.

Warnings



Over time, exposure to any dust could result in lung medical issues or death. Use a reverse pulse dust collector with HEPA filters if lead or other toxic materials are removed from items during the blasting process.



Never point the blast nozzle at the viewing window. Blow-off parts before opening the door. Keep doors closed until all dust has been exhausted after blasting.



Do not disconnect hoses while the system is under pressure, this could cause serious injury or death. Use coupler lock pins and hose whips to prevent accidental disconnection.



Use proper respirator and eye protection when servicing any component in this blast system.



Do not disable the safety door interlock system as it may cause injury from unintentional blasting.



When servicing the cabinet disconnect and lock out the electrical supply and disconnect the air line from the compressor.

1. Important Safety Items

Read all instructions before using this equipment. For efficient and safe production reference the OSHA requirements.

1.1 PSS Series Cabinet Manual

This manual contains important instructions for the safe operation of this cabinet and its related equipment. Before attempting to operate this PSS series cabinet and its components, all personnel intending on using this equipment must read the complete manual and familiarize themselves with the operation and parts.

1.2 Safety Considerations

- PSS blast cabinets require high pressure air to operate.
- The blast cabinet must be grounded to avoid shock.
- Electric extension cords must be three wire grounded and rated for the amperage of the blaster. Check the cabinet serial tag for the rated amps.
- Dust from the PSS cabinet should be collected by a reverse pulse collector or a dry filter and must not be allowed to become concentrated in areas where workers are exposed. This requires proper maintenance of the dust collection system.

1.3 Operator's Responsibilities Before Starting

- Inspect fittings and hoses for damage and wear. Repair any air leaks before operating.
- Check the gaskets on all doors.
- Only operate the blast cabinet with all the doors securely closed and with the dust collection system running.
- Clean the dust collector filters as needed and empty the dust collector hopper daily.

IMPORTANT NOTE: If using a reverse pulse dust collector the filters need to be seasoned before pulsing. Do not turn on the auto pulse or manually pulse until 2 hours of blasting has occurred. Dust collectors with sock type filters do not need seasoning.

1.4 Cautions

- The Mod-U-Blast PSS Series blast cabinet is to be used with appropriate media. Contact your representative for information.
- The compressed air to the pressure system needs to be dry.
- Working pressure of the blast cabinet and related components must not exceed 125 P.S.I.
- Keep the blast nozzle controlled and aimed at the work always.

1.5 Maintenance

- Disconnect the power and air supply from cabinet before servicing.
- Keep your machine in good repair. Use Mod-U-Blast parts only and do not substitute or modify.



DO NOT WELD OR GRIND ON THE BLAST VESSEL AS IT MAY CAUSE WEAK POINTS AND COULD CAUSE SERIOUS INJURY OR DEATH. THIS WILL ALSO VOID ANY WARRANTY COVERAGE.

2. Basic Principles

2.1 Mod-U-Blast Pressure Blast System Description

Our pressure systems consists of these important components:

- Blast cabinet
- Pressure pot
- Dust Collector

Refer to Fig. A (pg. 8), Fig. B (pg.9) for the blast machine.

2.2 How The Pressure Blast System Works

With the cabinet doors closed, the main air to the inlet on the cabinet is turned on and media is loaded in through the reclaimer. Turn on the switch for the cabinet lights and press the start button for the exhaust fan (if required). The pressure blast cabinet is now ready to use. Press the foot pedal to start blasting. While blasting the object to be cleaned, the used media falls through the perforated floor into the hopper. It is then pulled up into the reclaimer where the used media is separated and the fine dust is captured in the dust collector and the heavier particles are deposited through a screen into the bottom of the reclaimer. Release the foot pedal to stop blasting and the pop-up will drop refilling the pot with the remaining good media.

3. Set-Up Requirements

3.1 Location

Before setting up your cabinet remember the following points:

- The Mod-U-Blast PSS blast cabinet requires a compressed air supply. **NOTE: The compressed air supply for this unit needs to be completely dry.**
- The cabinet needs a power supply (see paragraph 3.4)
- This cabinet is designed to be used in a heated indoor location.
- Dust can escape from the cabinet while loading and unloading or while servicing the dust collector.

3.2 Compressed Air Requirements

- The compressed air supply should be sized according to the table (shown below.)

Pipe or Hose Length	VOLUME OF AIR IN CFM'S				
	25	30	35	40	50
25'	1	1	1	.75	1.25
50'	1	1	1	1.25	1.25
75'	1	1	1.25	1.25	1.25
100'	1	1	1.25	1.25	1.25
150'	1	1.25	1.25	1.25	1.25

3. Set-Up Requirements cont'd

3.3 Nozzle CFM Requirements

Nozzle Orifice Size	Air Pressure (psi)									
	20	30	40	50	60	70	80	90	100	125
No. 3 **	15 CFM	18 CFM	22 CFM	25 CFM	30 CFM	35 CFM	40 CFM	42 CFM	45 CFM	55 CFM
No. 4	27 CFM	32 CFM	41 CFM	47 CFM	54 CFM	61 CFM	68 CFM	74 CFM	81 CFM	98 CFM
No. 5	42 CFM	50 CFM	64 CFM	77 CFM	89 CFM	101 CFM	114 CFM	126 CFM	137 CFM	165 CFM

Standard nozzle in PSS series cabinets. Nozzle CFM's needed listed above are with using a new nozzle - cfm numbers will increase as the nozzle becomes worn.

3.4 Electrical Requirements

- Electrical requirements for Mod-U-Blast PSS series cabinets depends on the size of cabinet and reclaimer being used. E.g. The most common cabinets require 1-Ph, 1-Hp at 115 Volts. The light switch will turn on the cabinet lights and the exhaust fan.
- For any fan motor over 1-HP a separate motor controller will need to be installed to control the large power demand required at start-up for 2-Hp and up.

4. Blast Media

4.1 Steel Shot Ordering Information

Stock No.	Chronital	Shot (in mm)	Mesh Size	SAE Equiv.
76115	10	0.05 – 0.2	170 – 100	-----
76120	20	0.1 – 0.3	100 – 70	S-70
76130	30	0.14 – 0.5	70 – 40	S-110
76140	40	0.4 – 0.8	40 – 25	S-170
76150	50	0.6 – 1.0	30 – 20	S-230/280
76060	60	0.7 – 1.25	25 – 18	S-330
76100	100	1.00 – 1.40	18 – 16	S-390
76150	150	1.25 – 1.7	16 – 14	S-460
76200	200	1.4 – 2.0	14 – 12	S-550/660
76300	300	1.7 – 3.0	10 – 8	S-780

Cycles: 1000+ Moh's Hardness = 5 – 6	Bulk Density (wt./ft.3) = 275 lbs. Packaged in 25 Kg. Bags	Manufactured
---	---	--------------

PSS Series Cabinet Installation

Installations vary depending on the type of dust collector - refer to the serial tag for the model number.

4.1 Installation for cabinets with using a dry filter (sock filters) e.g.. PSS4836-6FH (6F)

NOTE: PSS cabinets using a dry filter dust collector will have the exhaust motor mounted on top of the reclaimers

1. Remove all components from the pallets and/or packaging, and then refer to Fig. A, (below) for cabinet & dust collector preferred placement and flex hose connection. (see arrows)
2. When placing all components make sure to allow full access to the cabinet doors, reclaimers, dust collector hopper and for any future service needs.
3. Attach the 6" flex hose from the reclaimer fan housing to the dry filter dust collector (flex hose supplied and located inside the dust collector).
4. Place the foot pedal at the front of the cabinet.
5. Minimum of 1" compressed air line will need to be attached (customer supplied) to the inlet side of the moisture separator mounted on the right front leg of the cabinet. (Refer to section 3.2 for proper air supply line if distance is a factor)
6. Plug in the cabinet lights via the 3 pronged, 115 volt plug attached to the light housing into the appropriate 115 volt wall receptacle.

PSS4836-6FH Layout

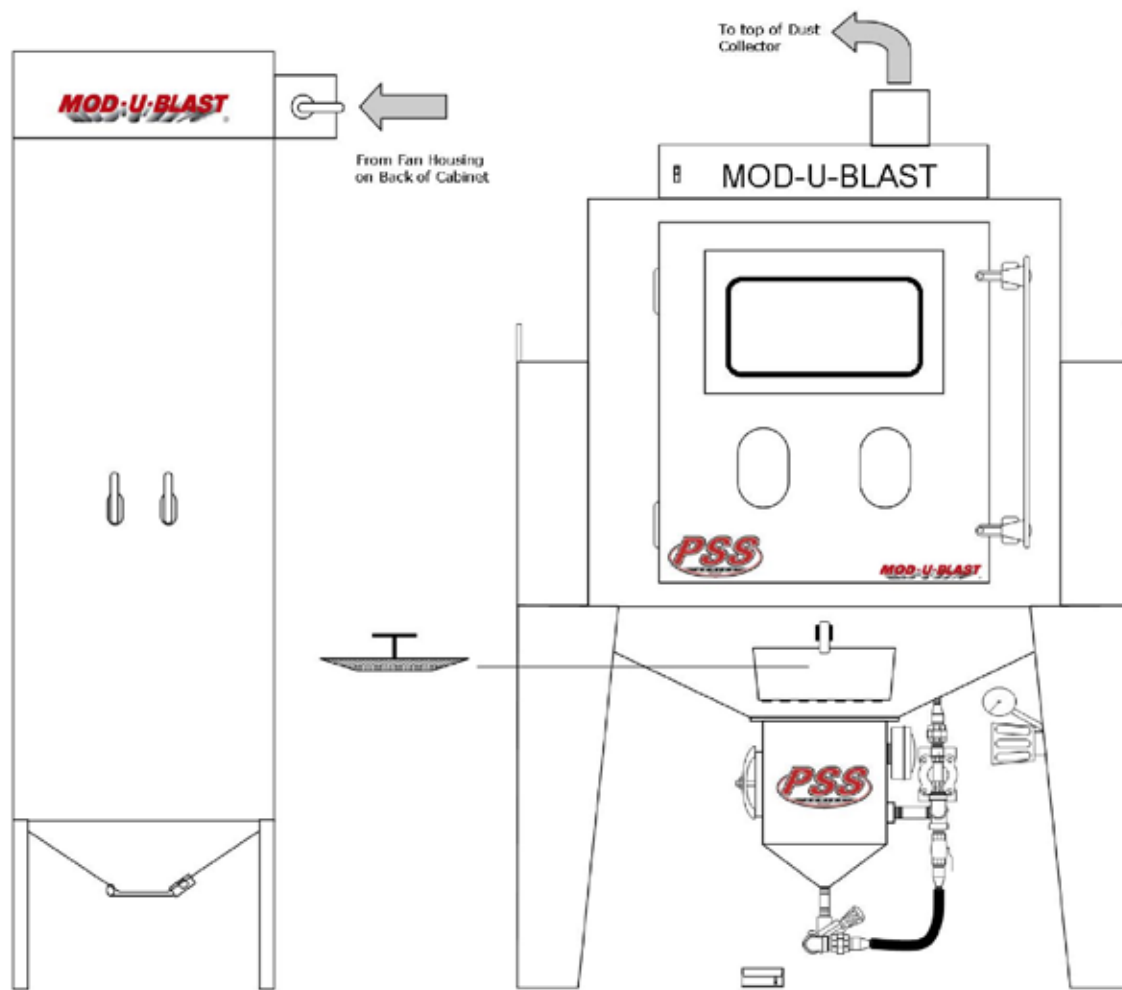


Fig. A

The PSS cabinet shown above has 2 pipe pass thru doors and access door on the front - PSS cabinets may have a door on each side

PSS Series Cabinet Installation cont'd

4.2 Installation for cabinets with a flange mounted on the back and using a reverse pulse dust collector e.g.. PSS4836-62C

NOTE: PSS cabinets using a reverse pulse dust collector will have the exhaust motor mounted on top of the dust collector.

1. Remove all components from the pallets and/or packaging, and then refer to Fig. B, (see below) for cabinet & dust collector preferred equipment placement and flex hose connection. (see arrows)
2. When placing all components make sure to allow full access to the cabinet doors, reclaimers, dust collector hopper and for any future service needs.
3. Attach the 7" flex hose from the top of the reclaimers to the side of the reverse pulse dust collector (flex hose supplied and located inside the cabinet).
4. Place the foot pedal at the front of the cabinet.
5. Minimum of 1" compressed air line will need to be attached (customer supplied) to the inlet side of the moisture separator mounted on the right front leg of the cabinet. (Refer to section 3.2 for proper air supply line if distance is a factor)
6. Attached to the light box on top of the cabinet are 2 wires - one female and one male. Plug the 3 pronged male plug into a 115v receptacle on the wall and plug the female connector together with the male plug from the motor on the reverse pulse dust collector. **NOTE:** Reverse pulse dust collectors with the auto pulse option has a male plug end that will also need to be plugged into a 115v receptacle.

PSS4836-62C Layout

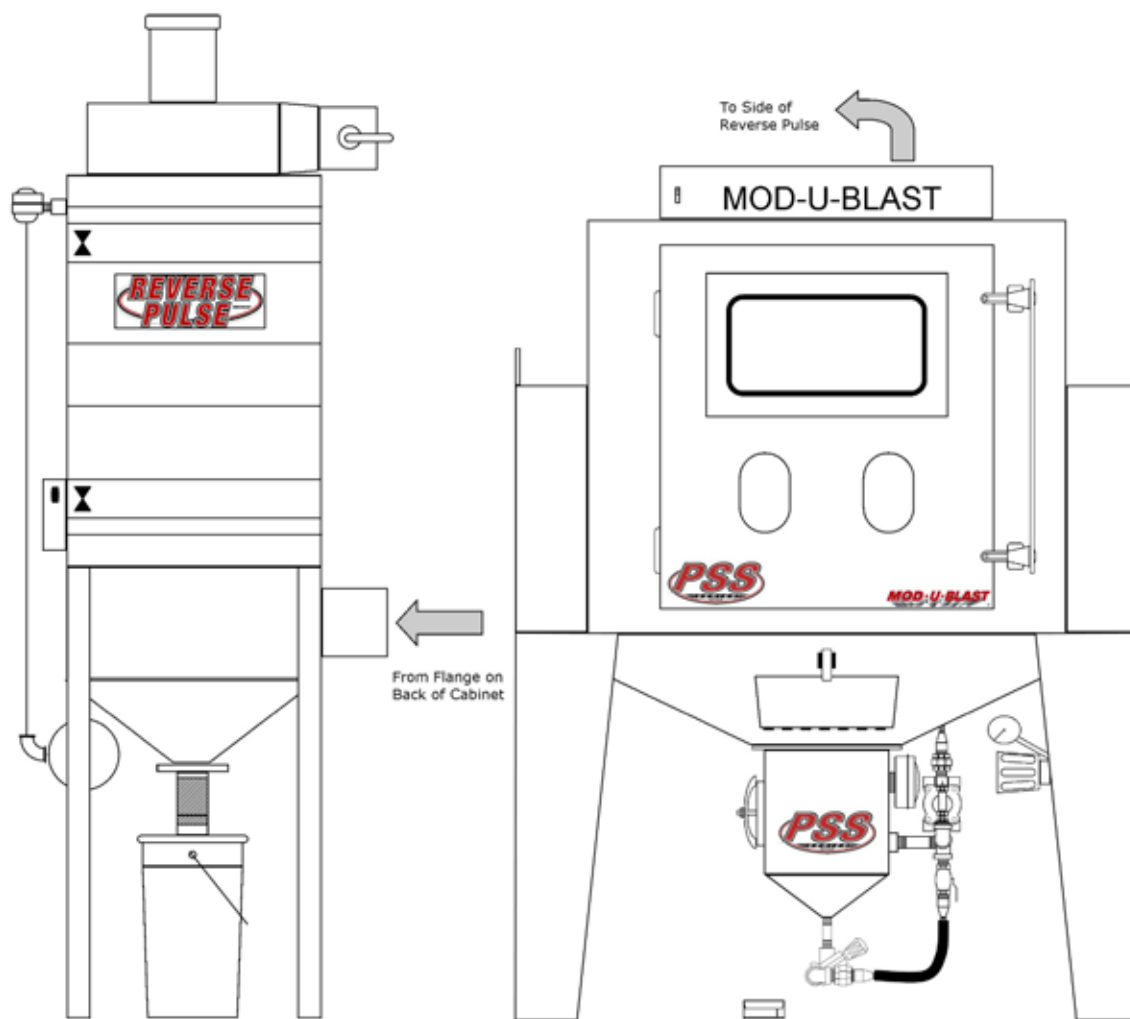


Fig. B

PSS Series Cabinet Operation

5.1 Loading the Media

1. The PSS cabinet pots are 0.9 cubic feet which holds approx. 85 lbs. of media.
2. With the exhaust fan off, to add the new media, open the swing door on the reclaimer and pour the media through the screen into the bottom of the reclaimer hopper and into the pot. Do not cover the pop-up or it won't seal properly.
3. Close the door on the cabinet.

5.2 Loading Parts to be Cleaned

1. Load parts through either door on the cabinet
2. Parts need to be free of grease, oil, or water.
3. Close the door (s).

5.3 Preparation for Blasting

1. Open the compressed air used to supply the cabinet.
2. Turn on the cabinet lights & exhaust fan.
3. Adjust the regulator to desired blast pressure. (pull knob down to unlock, adjust pressure and push up to lock).
4. Open the Micro Valve at the bottom of the pressure pot located under the reclaimer about 4 turns (CCW) to start and have someone slowly close the valve (CW) until the desired blast stream is achieved. (Fast steady stream is preferred)

5.4 Blasting

1. Place hands into the gloves and grab the blast nozzle firmly.
2. Depress the foot pedal for the blasting to start.
3. Hold the nozzle approximately 6" from the item to be cleaned. Point nozzle at a 45° angle towards the part and use smooth, even strokes for best results.

5.5 Finish Blasting

1. To finish blasting, release pressure from the foot pedal.
2. Once the pot pressure has been evacuated into the hopper of the cabinet the pop-up in the pressure pot will drop to allow the good media that was reclaimed to fall back into the pot for reuse.
3. Use the blow gun inside the cabinet to blow off the part (s) that were just cleaned and allow the dust to clear before removing them from the cabinet.
4. Turn off the cabinet lights and the exhaust fan.

5.6 After Blasting Dust Collector Cleaning

1. For dry filter dust collectors - clean the socks by using the shaker handle on the side by going back and forth about 10 times and then empty the hopper.
2. For Reverse Pulse dust collectors with manual pulsing - clean the cartridge filters by pressing the buttons on the left front side of the dust collector one at a time holding for a 2 second period. Wait 3 seconds between pulses so that the air tank fills up. Repeat 10 times each. (more frequently if dust is excessive inside the cabinet while blasting)
3. For Reverse Pulse dust collectors with automatic pulsing - the auto pulse box is located on the left side of the dust collector. This pulse box can remain on while blasting but the filters are best cleaned when the exhaust fan is off.

PSS Series Cabinet & Dust Collector Maintenance

6.1 Maintenance Schedules

Daily Start-Up Procedure

- Check air pressure and adjust to desired setting
- Check & adjust media flow (if necessary)
- Correct any safety issues before blasting
- Report and / or fix any operational problems

Daily Maintenance

- Pulse or shake dust filters
- Empty dust collector
- Add required media (DO NOT OVERFILL)

Weekly Maintenance

- Inspect gloves
- Inspect nozzle for wear
- Clean screen on blast machine
- Check lights for proper operation
- Clean / Repair safety glass or protector
- Inspect blast and exhaust hose for holes or weak spots

Monthly Maintenance

- Inspect blast coupler gaskets for wear
- Inspect air hoses for leaks or loose fittings
- Check for quick shutdown of the following:
 - Foot pedal on cabinet
 - Door safety switches

Six Month Maintenance

- Check dust filters for cleanliness
- Inspect door seals
- Check for leaks in dust hoses
- Check for leaks in the cabinet

MOD-U-BLAST®

**For Supplies & Parts
Call 1.800.661.3842**

PSS Blast Pot Components

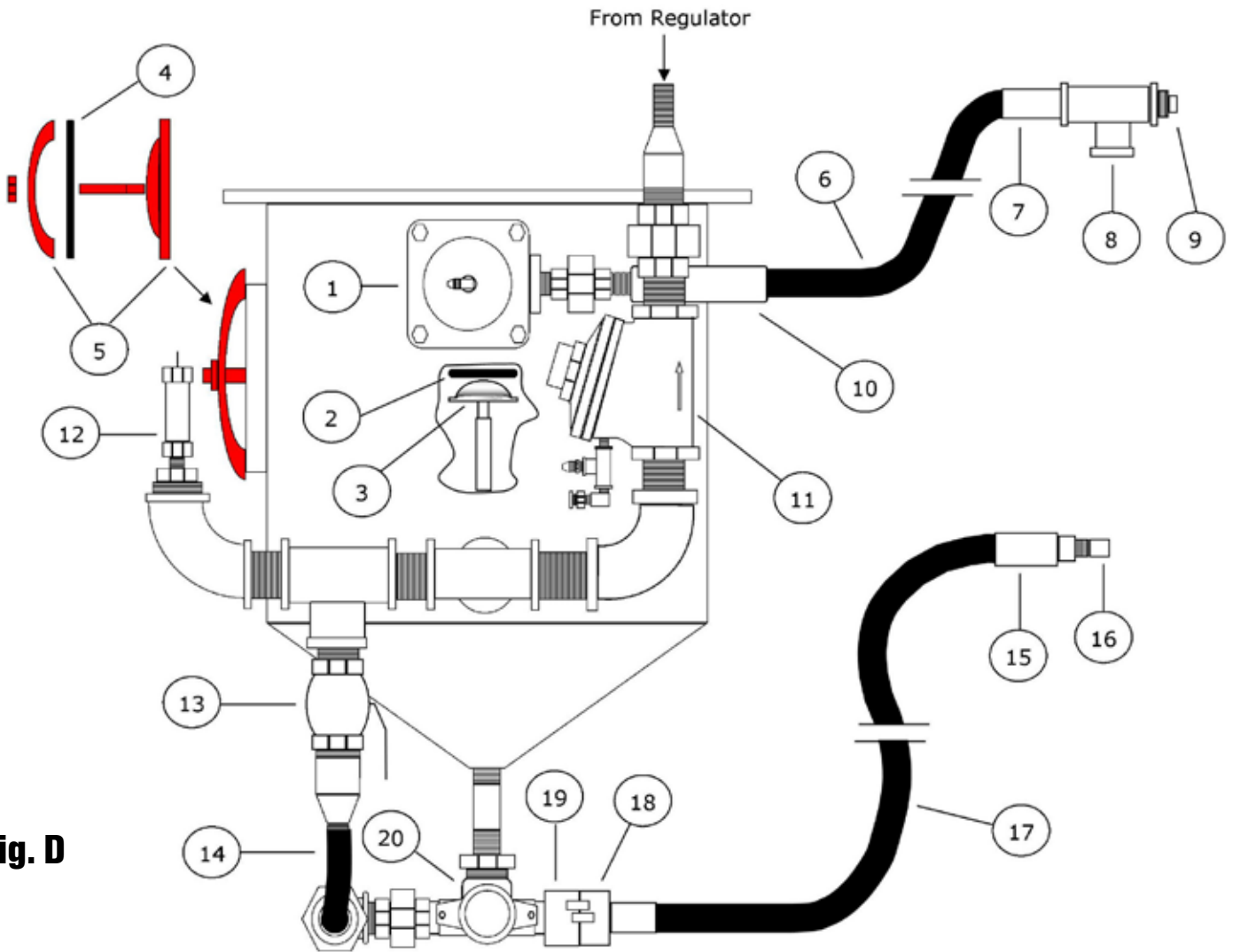


Fig. D

ITEM #	STOCK #	DESCRIPTION
1	EE03371	EXHAUST VALVE
2	EE216-7070	POP-UP SEAL
3	EE216-06UO	POP-UP
4	22618	GASKET
5	22614	HATCH ASSEMBLY
6	SB050-2	EXHAUST HOSE
7	60500	COUPLER (MALE THREADS)
8	TEE10	1" TEE
9	PL-10	1" PLUG
10	60500	COUPLER (FEMALE THREADS)
11	281000	1" AIR INLET VALVE
12	51202-125	PRESSURE RELIEF VALVE
13	65-800	1" BALL VALVE (CHOKE)

ITEM #	STOCK #	DESCRIPTION
14	100 AIR	1" AIR HOSE
15	60499	NOZZLE HOLDER
16	31063	# 3 NOZZLE
	31064	# 4 NOZZLE
	31065	# 5 NOZZLE
17	SB050-2	1/2" BLAST HOSE
18	60508	BLAST HOSE COUPLER
19	60250	TANK COUPLER
20	EE2125-107	MICRO VALVE

PSS Cabinet Parts

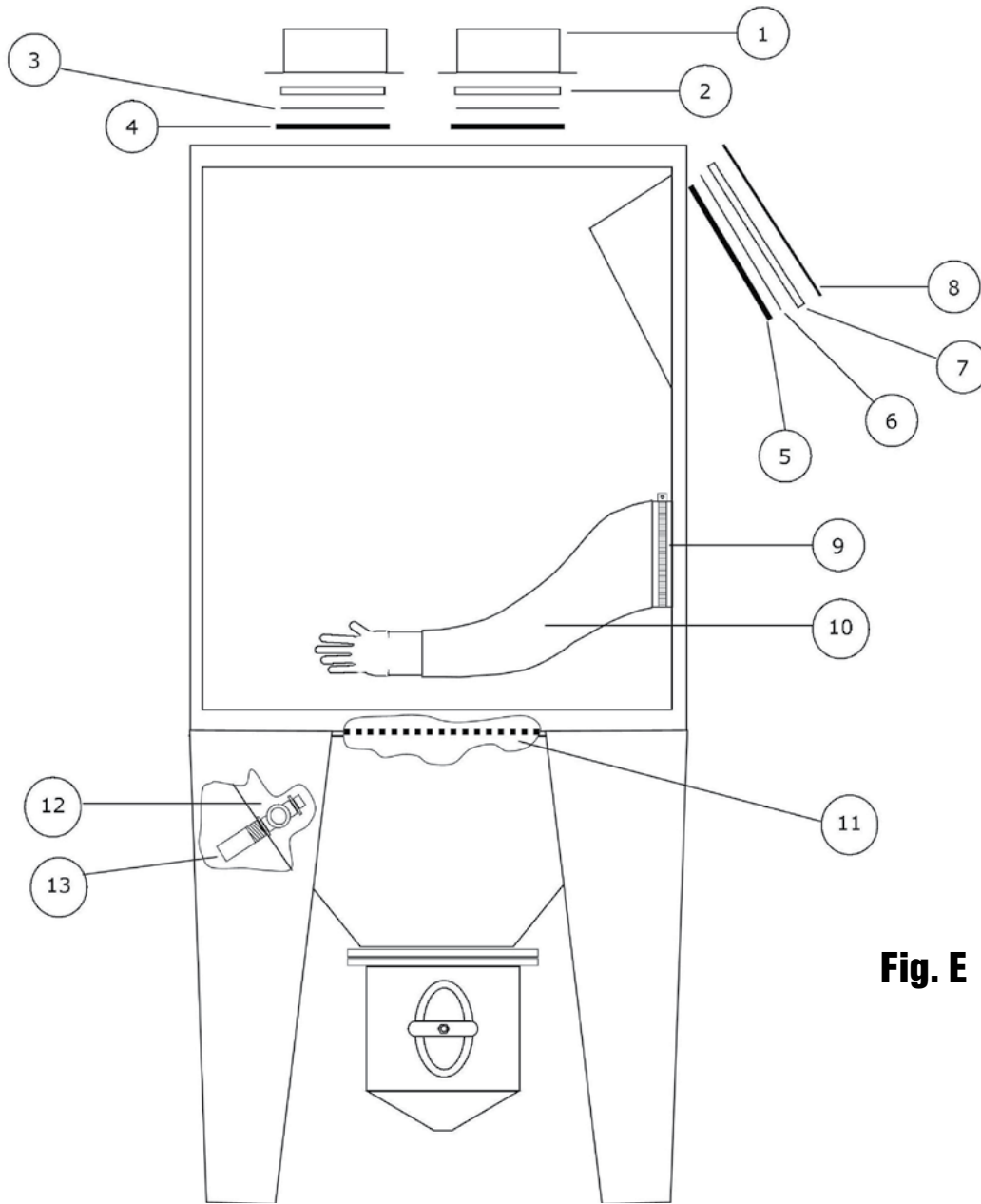


Fig. E

ITEM #	STOCK #	DESCRIPTION
1	ZLAMP B	GASKET
2	12215A	WINDOW
3	43518S	WINDOW PROTECTOR
4	16540	TRIM LOK (5FT)
5	16540	TRIM LOK (5FT)
6	41117S	WINDOW PROTECTOR
7	12216	WINDOW

ITEM #	STOCK #	DESCRIPTION
8	16053	WINDOW FRAME
9	12535	GLOVE CLAMP
10	15270	GLOVES (SET)
11	ZF4836H	PERFORATED FLOORING
12	TEE10 & PL10	1" TEE & 1" PLUG
13	60432	HOSE COUPLER

Item # 11 perforated floor listed is for a typical P4836 cabinet

PSS Cabinet Parts - cont'd

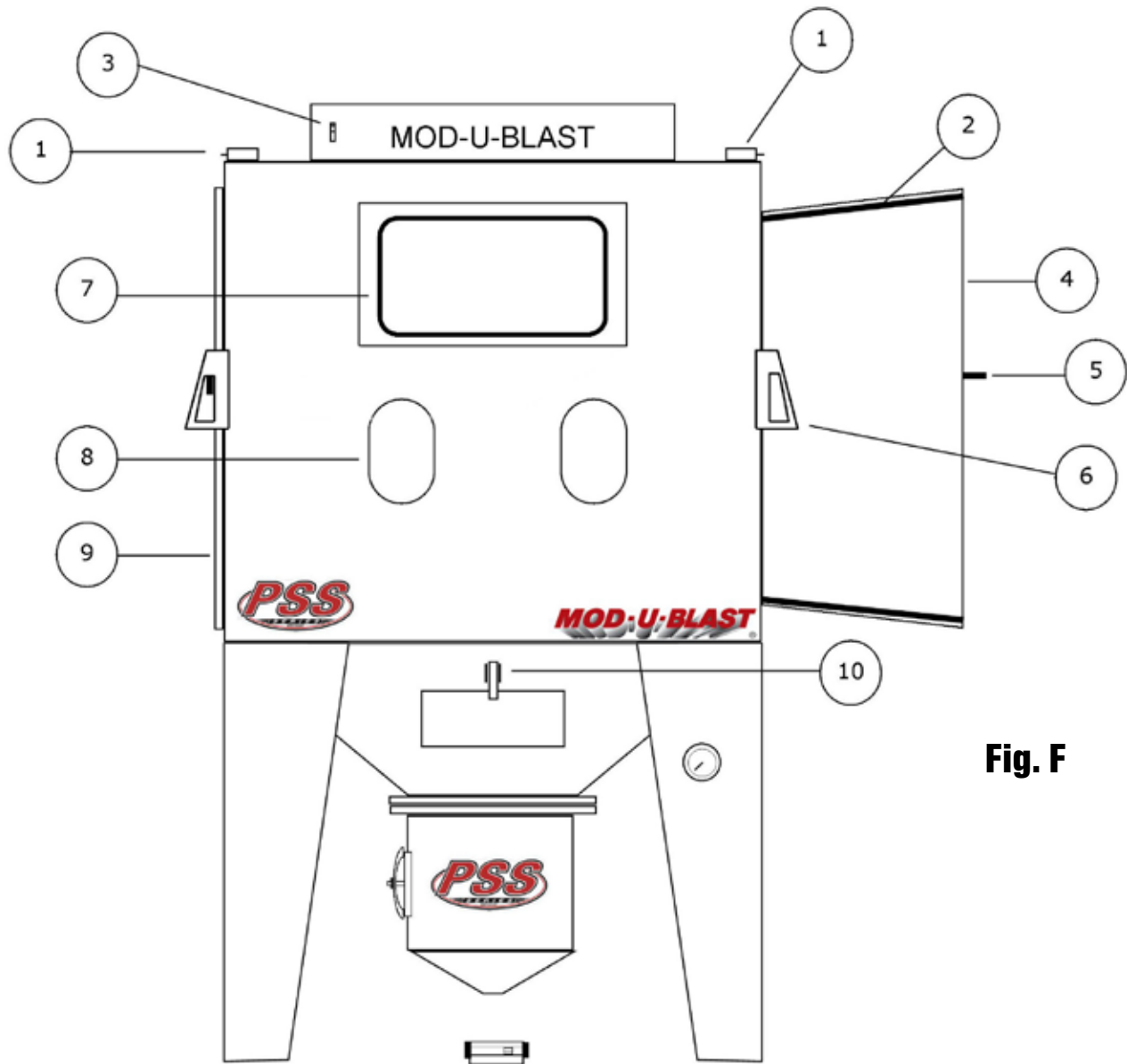
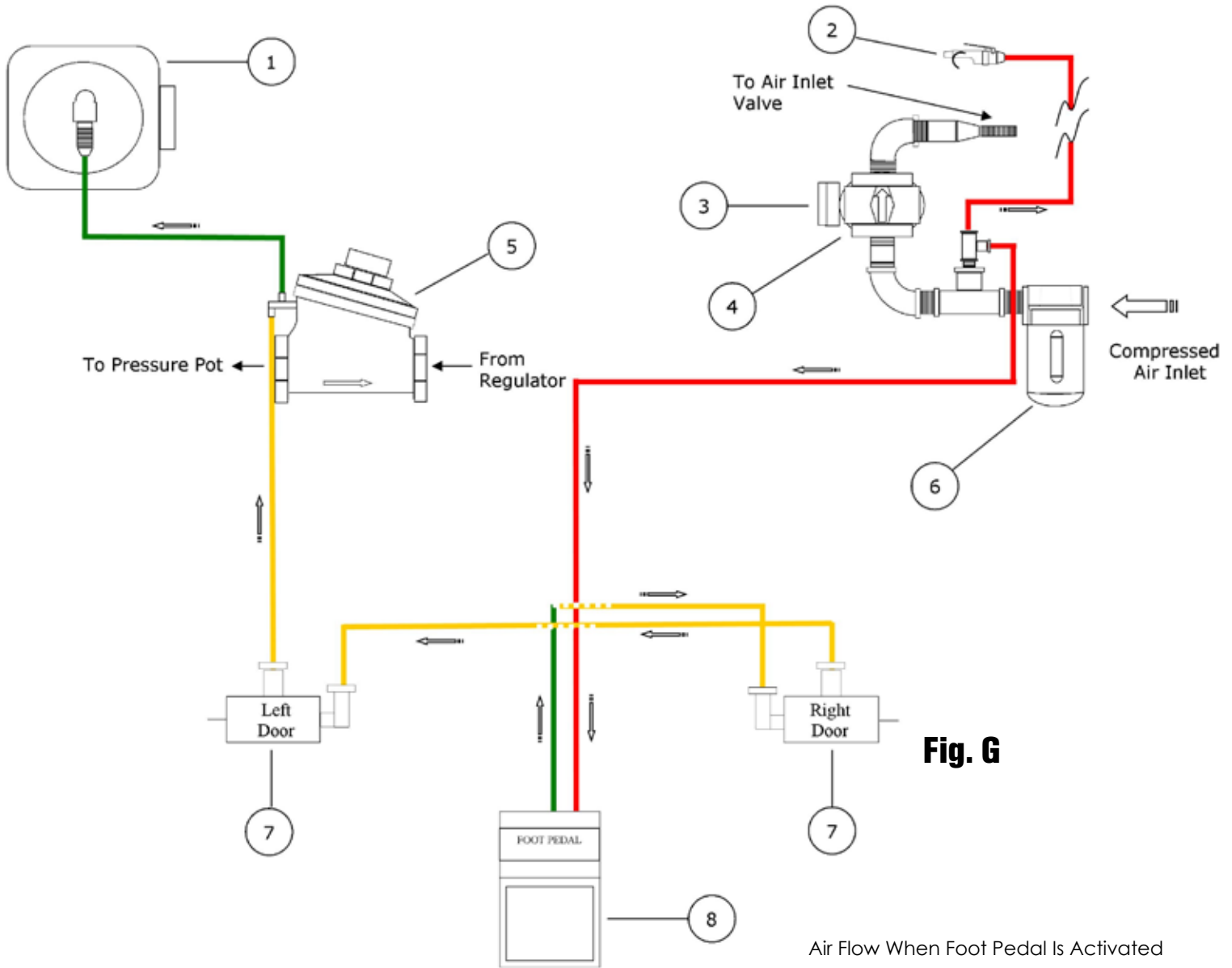


Fig. F

ITEM #	STOCK #	DESCRIPTION
1	12202	DOOR SAFETY SWITCH
2	12433-2	DOOR GASKET
3	16371	LIGHT SWITCH
4	ZDR36	RIGHT DOOR
5	Z-HANDLE	DOOR HANDLE

ITEM #	STOCK #	DESCRIPTION
6	Z-LATCH	DOOR LATCH
7	SEE FIG. E	VIEWING WINDOW
8	16542	GLOVE TRIM
9	ZDL36	LEFT DOOR
10	16210	FOOT PEDAL

PSS Cabinet & Pilot Line Schematic & Parts



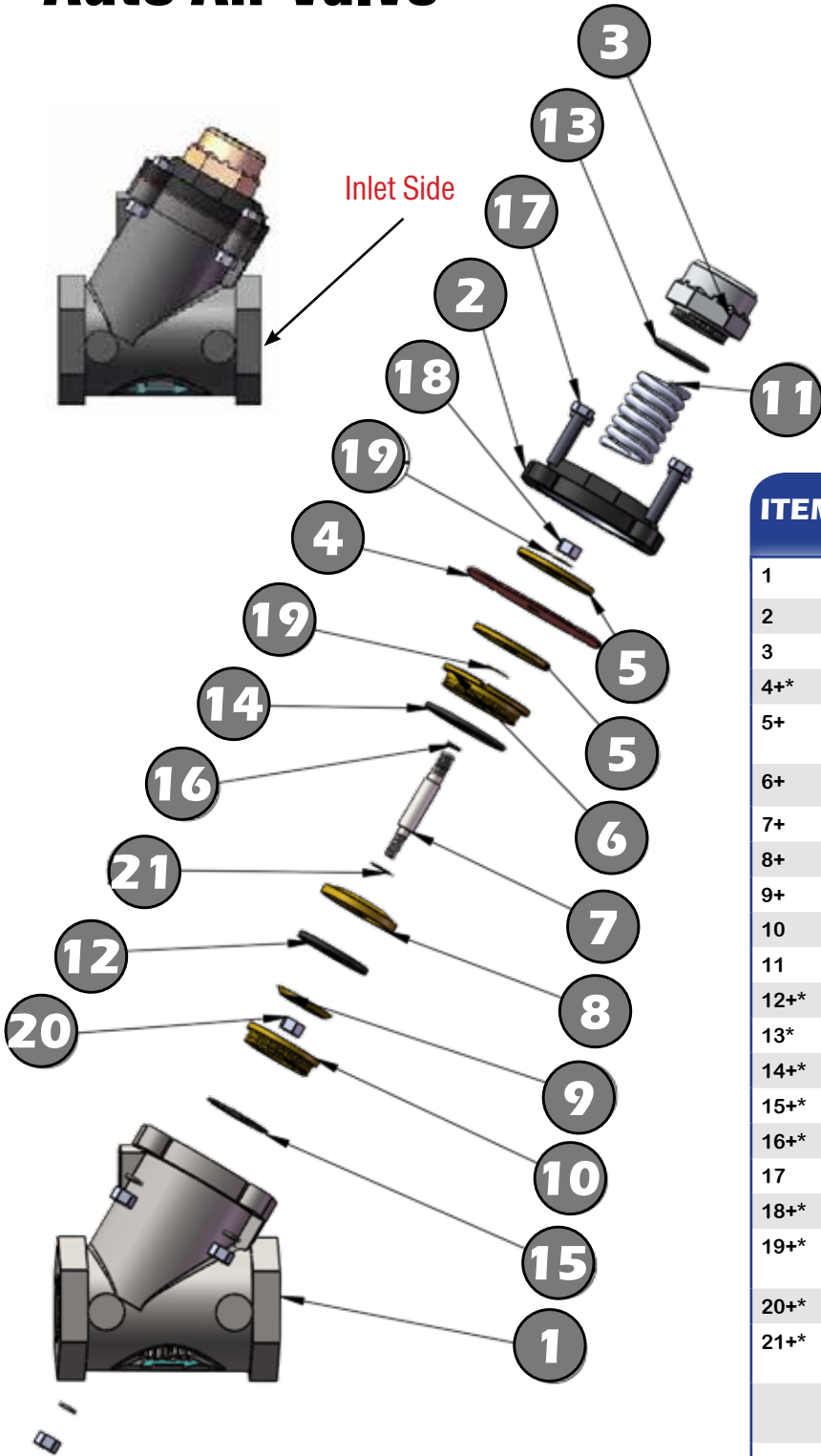
ITEM #	STOCK #	DESCRIPTION
1	EE03371	EXHAUST VALVE
2	60-110P	BLOW GUN
3	55-415	PRESSURE GAUGE
4	50-360	1" REGULATOR

ITEM #	STOCK #	DESCRIPTION
5	281000	1" AIR INLET VALVE
6	50-160	1" MOISTURE SEPARATOR
7	12202	SAFETY DOOR INTERLOCK SWITCH
8	16210	PRESSURE FOOT PEDAL

Auto Air Valve

Stock # 280750 (3/4" valve)
281000 (1" valve)
281250 (1-1/4" valve)
281500 (1-1/2" valve)

NOTE: Arrow on the bottom of this valve always installed facing backwards to incoming air flow.



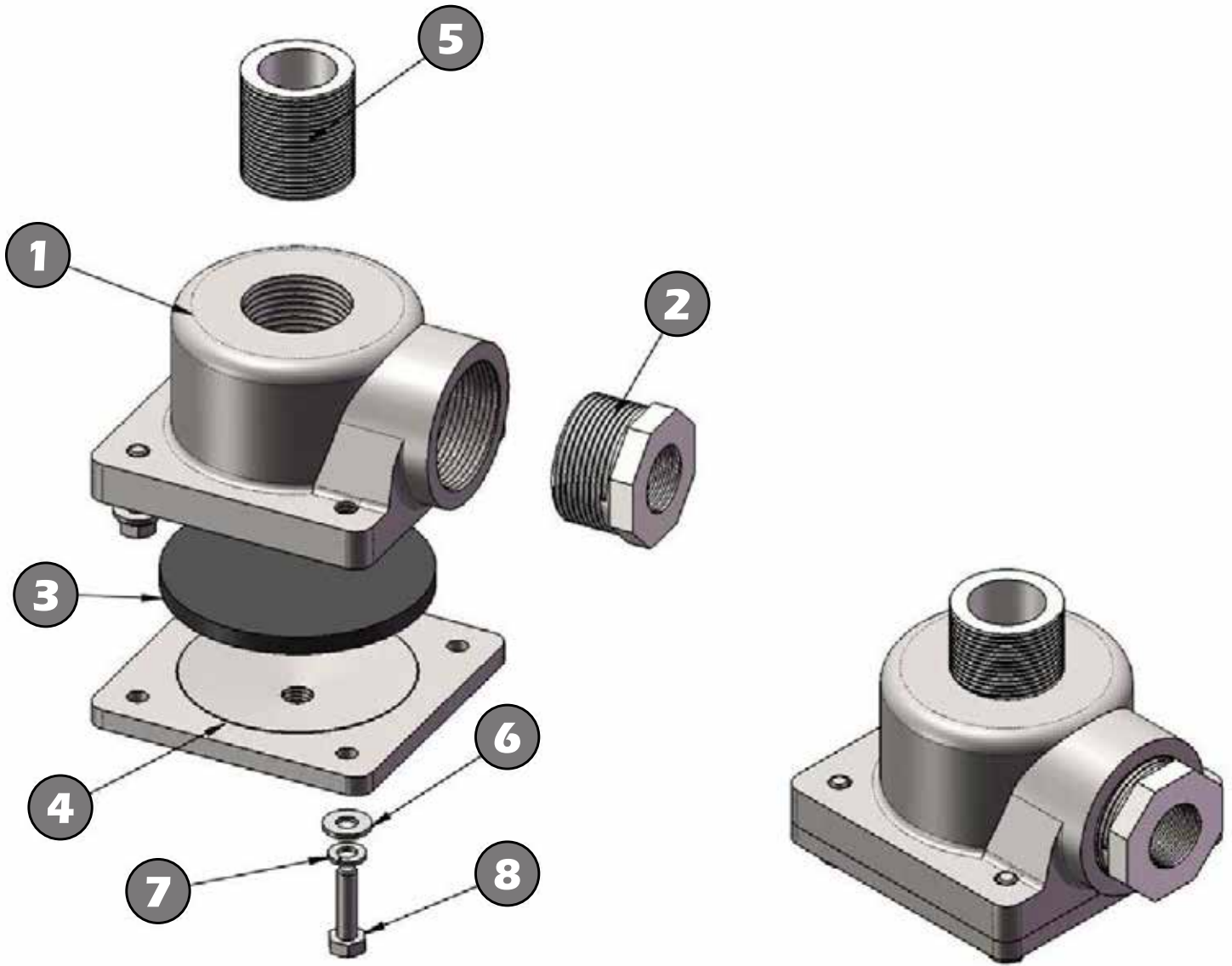
ITEM #	PART 1-1/4" & 1-1/2"	PART 3/4" & 1"	DESCRIPTION
1			BODY
2	281259	281007	COVER
3			CAP
4+*	281256	281006	DIAPHRAGM
5+			WASHER FLAT W201069
6+			BUSH INNER
7+			SHAFT
8+			SEAT HOLDER
9+	281261		RETAINER
10	281259		BUSH GUIDE
11	22123		SPRING
12+*			GASKET RUBBER
13*			O-RING 29.87MM I.D.
14+*			O-RING 44.12MM I.D.
15+*			O-RING 34.65MM I.D.
16+*			O-RING 9.19MM I.D.
17			HEX BOLT 1/4" UNC
18+*			NYLOC NUT 1/4" UNF
19+*			WASHER FLAT 5/16" .5MM BRASS
20+*			NYLOC NUT 1/4" UNF
21+*			WASHER FLAT 1/4" DIA
	281500		AUTO AIR VALVE 1-1/2"
	281250		AUTO AIR VALVE 1-1/4"
		280750	AUTO AIR VALVE 3/4"
		281000	AUTO AIR VALVE 1"

SEAL KIT:* STK # EE2123-006-99 (3/4" & 1")
 STK # EE212300-799 (1-1/4" & 1-1/2")

REPAIR KIT: + STK # 281003 (3/4" & 1")
 STK # 281253 (1-1/4" & 1-1/2")

MOD-U-BLAST
 Parts Ordering
 1-800-661-3842

1" Diaphragm Dump Valve - Stock # EE03371



ITEM #	STOCK #	DESCRIPTION	QTY.
1		MAIN BODY	1
2		REDUCER BUSHING	1
3	EE06149	DIAPHRAGM	1
4		TOP PLATE	1
5		STEEL PIPE	1
6		PREFERRED NARROW FW 0.25	4
7		REGULAR LW 0.25	4
		HBOZLT 0.2500-20X1X1-N	4

Dump Valve -Stock # 290375



ITEM #	STOCK #	DESCRIPTION
1	290315	BOTTOM PLATE 1/4" NPT
2	PL02	PLUG 1/4" BSP
3	290313	BLEED OFF CYLINDER HOUSING
4	290330	PISTON
5*	290331	PISTON SEAL
6	290321	BLEED OFF CYLINDER
7	290306	SCREW M8X25
8*	290325	DIAPHRAGM
9	290310	BLEED OFF MANIFOLD 3/4" NPT
10*	290306	SCREW M8X25
11	290314	TOP COVER
12*	290311	O RING FOR MANIFOLD
13	41-1305	NIPPLE 3-4 BSP
14*	290327	BLEED CYLINDER O-RING
15*	290316	GASKET

*** INCLUDED IN REPAIR KIT -
STK # 290380**

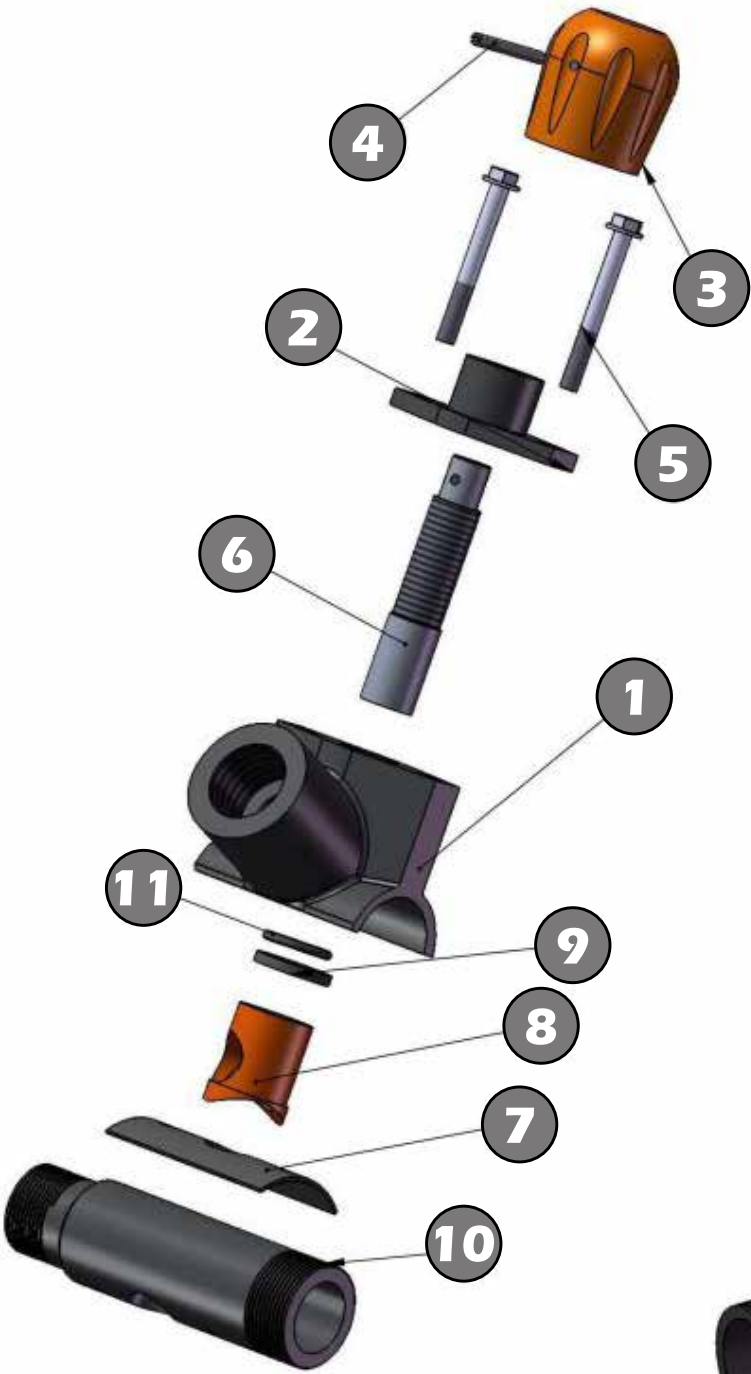
MOD-U-BLAST
Parts Ordering
1-800-661-3842

M-Valve

Stock # EE2125-107

ITEM #	STOCK #	DESCRIPTION
1	EE2125-000-06	BODY
2	EE2125-000-02	CAP
3	EE2125-000-01	KNOB
4	EE2125-000-03	ROLL PIN
5	EE7010-505-56	BOLT WITH WASHER
6*	EE2125-000--5	PLUNGER
7*+	EE2125-000-09	GASKET
8*+	EE2125-000-08	SLEEVE URETHANE
9*+	EE2149-000-06	PLUNGER SEAL
10	EE21250-0710	PIPE NIPPLE
11*+	EE2149-000-18	O-RING

*** INCLUDED IN REPAIR KIT - STK # EE2125-100-99**
+ INCLUDED IN SOFT KIT - STK # EE2125-100-98



MOD-U-BLAST
 Parts Ordering
 1-800-661-3842

PSS series Cabinet Troubleshooting

PROBLEM	POSSIBLE CAUSE	REMEDY
Blast machine will not pressurize	Air supply is off	Open valve from compressor to blast machine
	Insufficient air supply	Check for air supply restriction and proper inlet hose size
	Exhaust valve	Check diaphragm in exhaust valve for holes
	Pilot line(s) leaking	Check all green, red and clear hoses for leaks
	Pop-up leaking	Check pop-up and seal
	Regulator pressure off or set to low	Check pressure at regulator and adjust
No air or media from nozzle	Choke and/or media valve closed	Open the and/or adjust the media valve
	Clogged nozzle	Remove the nozzle from the coupler and clear the blockage
	Clogged blast hose	Remove the nozzle and disconnect the blast hose from the tank coupling attached to the m-valve. Blow air through the hose to see if it is plugged.
Air but no media flow from nozzle	No media in vessel	Check for media in vessel and fill if necessary
	Media metering valve is closed	Open the valve and adjust for proper flow
	Damp media or object blocking flow at base of vessel	While trying to blast have someone quickly close and open the choke valve. If blockage persists remove the hand-way and check in blast vessel for obstructions
Media flow to heavy or pulsing when blasting	Media metering valve closed	Adjust metering valve for a smooth steady stream
	Choke valve is partially closed	Open choke valve completely
Low pressure at nozzle	Nozzle worn out	Change nozzle
	Air Supply hose too small	Use proper supply hose
	Hole in the blast hose	Replace blast hose
	Pop-Up not sealing properly	Check pop-up and seal for smoothness. Any ridges or rough areas will cause the pop-up to leak
	Handway leaking	Replace handway gasket
	Auto air valve leaking from top vent	The diaphragm may be damaged, defective or worn out - replace diaphragm.
	Choke Valve is partially closed	Open choke valve completely
	Media metering valve open to far	Adjust metering valve for a smooth steady stream
	Clogged nozzle	Remove the nozzle from the coupler and clear the blockage.

Call Mod-U-Blast Service if problems persist. **780.425.5510** or visit www.manusservice.com

PSS series Cabinet Troubleshooting

PROBLEM	POSSIBLE CAUSE	REMEDY
Poor visibility	Dirty Filters	Shake or pulse filters - if problem still persists filters may need changing
	Motor rotation is in reverse	Check that motor is rotating in direction of the arrow located on top of the motor
	Hole in dust collector flex hose	Check for leaks and replace
	Worn paddle wheel	Check paddle wheel for wear and replace if needed
Static shock while blasting	Cabinet and/or operator not grounded	Ground cabinet. Attach a wrist ground strap to the operator. Avoid holding parts off of the flooring so that static can be dissipated through the cabinet
Dust leaking from cabinet	Dust socks or cartridge filters may be plugged	Check socks or cartridges for clogging and replace
	Doors leaking	Replace door seals
Dust leaking from dust collector	Improperly seated dust sock	Check all dust socks seats for proper installation
	Loose filter cartridge	Cartridges must be seated so that the seal on top compresses without crushing the filter cartridge
	Dust sock (s) or cartridges are damaged	Replace sock (s) or cartridges

MOD-U-BLAST
Parts Ordering
1-800-661-3842



Certificate of Compliance

Certificate Number: LR 104892-1

Revision: LR 104892-3

Date Issued: January 8, 1998

Issued to: **Manaus Abrasive Systems Inc.**
1040 - 78 Ave.
Edmonton, AB T6P 1L7
Canada
Attention: Mr. Tom MacLean

The products listed below are eligible to bear the CSA Mark

¹NOTE: The "NRTL/C" indicator also appears adjacent to the CSA Mark.

Issued by: **Alan Jenkins, E.T.**
Edmonton, AB, Canada

Signature: _____

PRODUCTS

9091 01 - MOTOR OPERATED APPLIANCES - Miscellaneous

9091 81 - MOTOR OPERATED APPLIANCES - Miscellaneous

PART A

Blast Cleaning Equipment, Cord-connected, MOD-U-BLAST, Models E2424, E3624, E4824, may or may not be followed with suffixes VAC or DC; Models S3026, P3026, S3626, P3626, S3636, P3636, S4826, S4836, P4836, S4848, P4848, P6026, S6036, P6036, S6048, P6048, S6060, P6060 may or may not be followed with suffixes DC, followed by 3B or 3F. Rated 115 V ac, 60 Hz, 10 A. Max. with a 300 CFM Reclaimer, 15 A. Max. with a 600 or 900 CFM Reclaimer.

LEGEND

- E Economy Model
- VAC Industrial Vacuum Collector
- DC 150 CFM Cartridge Type Dust Collector
- S Suction Cabinet
- 3 300 CFM
- 6 600 CFM
- 9 900 CFM
- B Dust Bag
- F Multi-Bag Dust Filter Cabinet
- P Pressure Cabinet
- D Dual-Station Cabinet

¹The "NRTL/C" indicator adjacent to the CSA Mark signifies that the product has been evaluated to the applicable ANSI/UL and CSA Standards, for use in the U.S. and Canada. NRTL, i.e. Nationally Recognized Testing Laboratory, is a designation granted by the U.S. Occupational Safety and Health Administration (OSHA) to laboratories which have been recognized to perform certification to U.S. Standards.

Upgrade Kits and Options

Upgrade kits and options are also available to increase the production, efficiency and wear ability of Mod-U-Blast pressure cabinets and are listed below:

- Puck Board Lining
- Manual Turntables
- Automated Rotating Turn Tables
- Inside/Outside Track Assemblies
- Pipe Pass Thru Doors
- Pipe Roller Carts & Tracks
- Mobile Cabinet/Dust Collector Cart
- Multi Nozzle Applications
- Mechanical Reclaim Systems

Contact Your Mod-U-Blast Distributor to Find Out More

Warranty

Mod-U-Blast equipment is covered by a one (1) year warranty against defects in material and workmanship starting from the purchase date. This covers mechanical components, air valves and plumbing, electrical components, air motors, vessels, machine body (normal wear).

This warranty does not apply to abnormal use of the equipment or parts. Parts subject to abrasive wear, such as nozzles, hoses, dust filters, windows and window protectors are not covered by the warranty.

Claims will be honored only if the warranty card is returned within a period of two months from the factory shipping date.

The card can be returned to your Mod-U-Blast salesperson or mailed to the address below.

In the event of failure of this equipment
please contact a Mod-U-Blast service centre
or call (780) 425-5510.

MOD-U-BLAST



403 - 69 Avenue NW
Edmonton, Alberta
Canada
T6P 0C2

PH: (780) 425-5510 FAX: (780) 425-5540

VISIT WWW.MANUSSERVICE.COM FOR ONLINE PRODUCT SUPPORT