



BLASTMASTER® 750 CFM AIR DRYER



BUILT MARCO
TOUGH
MARCO MANUFACTURED

PART NUMBERS AND SCHEMATICS GUIDE

Company Profile

Since 1944, Marco has developed a strong tradition of providing innovative and reliable products and services to the surface preparation and protective coatings industries. We are the world's premier provider of Abrasives, Blasting, Coating, Dust Collectors, Engineered Systems, Rental, Safety, Service, Repair, & Modernization, and Vacuums.

Through innovative designs and a total commitment to quality, Marco manufactures products that increase production rates, create a safer workplace, and reduce maintenance costs. Marco's industry experience, manufacturing capabilities, legendary customer service, product availability, logistics services, and technology leadership is your assurance that we deliver high quality products and services, providing the best value to you, our customer.

The Marco Difference

- **Industry Experience** – With Marco on your team, you have access to expertise which can only come from decades of industry leadership. We have organized our engineering department, production specialists, customer operations, and safety support into a “Center of Competence.” As a Marco customer, you have access to hundreds of years of cumulative experience related to your operations.
- **Manufacturing Excellence** – Marco is a U.S. based, ISO 9001:2008 certified manufacturer of equipment for the Surface Preparation and Protective Coatings industries. Marco's engineers benchmark the industry to ensure that we design and manufacture superior products that set the “Gold Standard” for performance, safety, and quality.
- **Legendary Customer Service** – Marco's legendary customer service team is staffed by friendly, highly-trained individuals who are focused on providing the highest level of product support, order accuracy, and customer satisfaction.
- **Product Availability** – We stock over 10,000 SKU's and have more than 45 shipping locations to serve North American and International markets for all major brands of blasting and coating equipment. As the largest provider of surface preparation and protective coatings equipment in the world, our inventory levels and product availability are unmatched.
- **Logistics Services** – Marco's in-house logistics team is dedicated to moving your shipment anywhere in the world. We move more than 14,000 truckloads every year, allowing you to save on freight costs by leveraging our buying power. Lower your process costs with a single invoice, which includes product and freight.
- **Technology Leadership** – Our website provides: Operator's Manuals, Part Numbers and Schematics Guides, SDS information, and Features & Specifications Guides, providing access to information 24/7. Our Extranet application allows you to receive quotes and place orders online. Our Intranet maintains a complete record of your purchase history to assist with ongoing support of your existing equipment and future purchasing decisions.

Vision Statement

Marco is the world's premier provider of Abrasives, Blasting, Coating, Dust Collectors, Engineered Systems, Rental, Safety, Service, Repair, & Modernization, and Vacuums.

Mission Statement

Marco provides strong leadership and innovation to the surface preparation and protective coatings industries. We dedicate our efforts to the continuous improvement of our products, services, processes, people, and most importantly, the quality of our customer's experience.

Quality Statement

Marco is committed to providing superior quality in the design, manufacturing, distribution, rental, service, and repair of our products. Our ISO 9001:2008 certification extends throughout all operations in all locations. Continuous improvement of our processes and supply chain Integration comprise the core of our business strategy for delivering exceptional quality and value in all Marco products and services.

Management Philosophy

We are a company dedicated to the success of every customer and associate. We discuss, debate, challenge, measure, and test our ideas. We will be boundless and limitless in our passion to improve. Through sound leadership and dedicated associates, we will ensure a long term, profitable future for Marco, our associates, customers, and suppliers.

TABLE OF CONTENTS

Company Profile	2
Table of Contents	3
Part Numbers	4
Specifications	5
Part Numbers & Schematics	6-19
Blastmaster® 750 CFM Air Dryer	6-7
Blastmaster® 750 CFM Air Dryer	8-9
Blastmaster® 750 CFM Air Dryer	10-11
Aftercooler Assembly—Pneumatic	12
Aftercooler Assembly—Electric	13
Transfer Hose Assembly	14
Inlet Filter Assembly	15
Air Regulator/Lubricator	16
Inspection Door Assembly	17
Outlet Filter	18
Desiccant Tablets and Spherical Tower Packing ...	19
Optional Accessories	19-21
Desiccant Tablets	19
Spherical Tower Packing	19
Airflow Shutoff Kits – Lug Fittings	20
Airflow Shutoff Kits – Hammerlock Fittings	20
Inlet/Outlet Bushing	21
Pipe Plugs	21
Lubrication	21
Maintenance Notes	22-23

PART NUMBERS

BLASTMASTER® 750 CFM AIR DRYER									
Part Numbers	Inlet			Outlet			Power Source	Filter, Regulator, and Lubricator	Electric Starter Box
	Inlet Quantity	Inlet Size	Fittings	Outlet Quantity	Outlet Size	Fittings			
10101675	1	3"	Not Included	5	(2) 3", (1) 1-1/4", (2) 1"	Not Included	Pneumatic	Included	Not Included
10108809	1	3"	Not Included	5	(2) 3", (1) 1-1/4", (2) 1"	Not Included	115-Volt AC	Not Included	Included
10101676	1	3"	Not Included	5	(2) 3", (1) 1-1/4", (2) 1"	Not Included	230-Volt AC	Not Included	Included

* Inlet fittings include 3" (M) x 2" (F) Reducing Bushing. Outlet fittings include 3" (M) x 2" (F) Reducing Bushing.

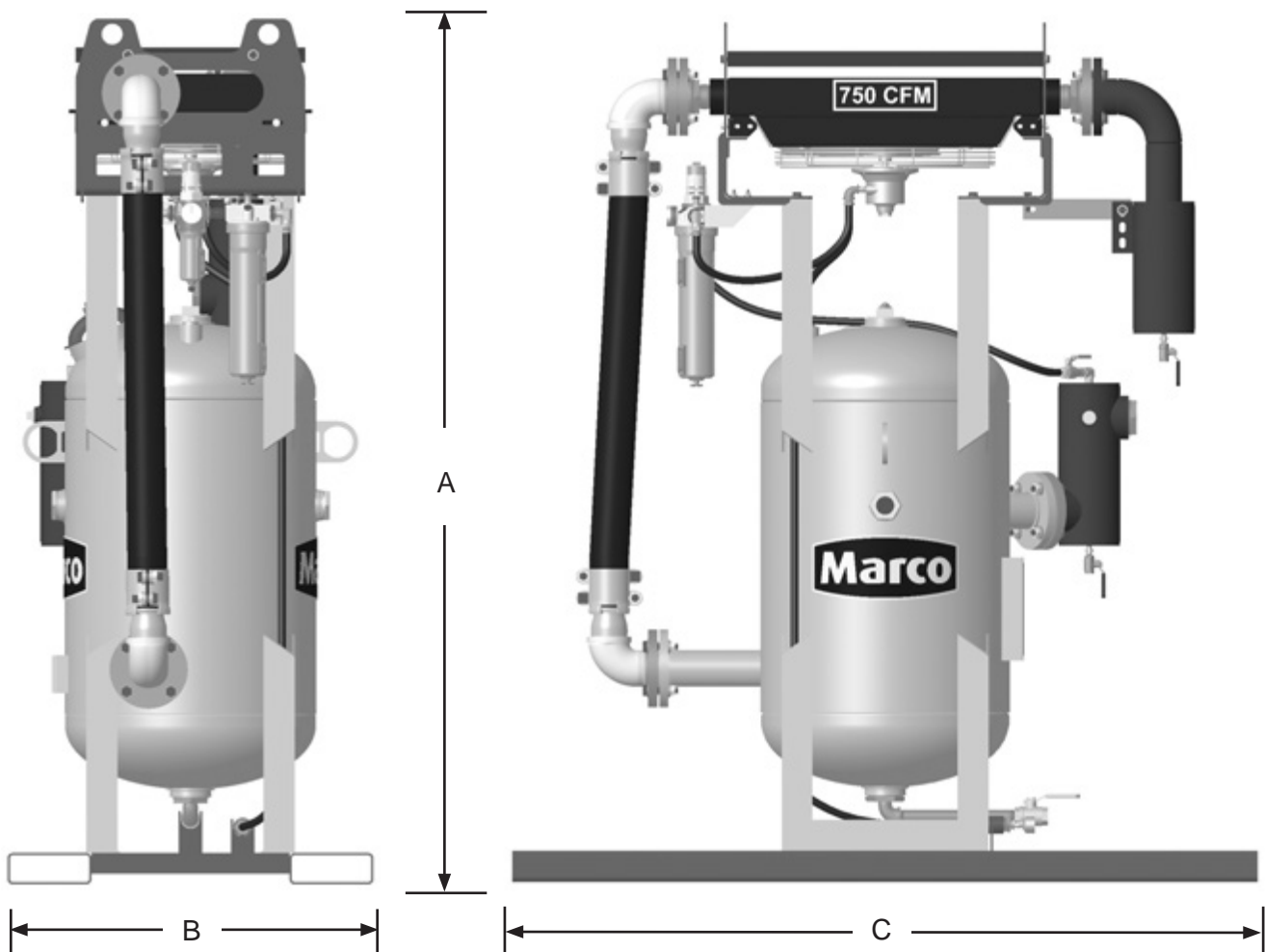
Dessicant tablets not included with Blastmaster® 750 CFM Air Dryers

SPECIFICATIONS

Lubrication: SAE 10 oil or Air Tool Anti-freeze Lubricant

Empty Weight: 900 Pounds

Overall Dimensions: A: 83"
B: 35"
C: 72"



Pneumatic model shown. Electric model has same dimensions.

PART NUMBERS & SCHEMATICS

Blastmaster® 750 CFM Air Dryer—Pneumatic

Item #	Part #	Description	Item #	Part #	Description
Fig. 1			23	1011812	1" Male x 1/2" Female Bushing
—	10101675	Blastmaster® 750 CFM Air Dryer – Pneumatic	24	10PAF050	1/2" Push on Air Hose Fitting <i>(Six Required)</i>
1	10101176	400-1600 CFM Heat Exchanger Mounting Bracket <i>(Two Required)</i>	25	1017019	1/4" x 1/4" Hex Nipple <i>(Two Required)</i>
2	10101943	1/2-13 x 1-3/4" Hex Bolt Galvanized <i>(10 Required)</i>	26	—	Outlet Filter Assembly (See Fig. 10)
3	10100674	1/2" Flat Washer Galvanized <i>(20 Required)</i>	27	10SAP1290	1/2" 90° Swivel <i>(Three Required)</i>
4	10100675	1/2" Split Lock Washer Galvanized <i>(10 Required)</i>	28	20100677	1/2" NPT Hex Nipple
5	10101941	1/2-13 Hex Nut Galvanized <i>(10 Required)</i>	29	10101024	Skid Weldment
6	10101179	Heat Exchanger Protective Grate	30	10L363	1/2" NPT Full Port Ball Valve
7	10TTAHP7255	750 CFM Aftercooler - Pneumatic - Complete (See Fig. 4)	31	10101034	3" NPT Galvanized Pipe Plug
8	10101059	3/8-16 x 1-1/4" Bolt Galvanized <i>(Four Required)</i>	32	10105890	Filter/Regulator/Lubricator with Pressure Gauge (See Fig. 8)
9	10101942	3/8" Flat Washer Galvanized <i>(Eight Required)</i>	33	10101170	Moisture Separator Brace
10	10L805015	3/8" Lock Washer Galvanized <i>(Four Required)</i>	34	—	Inlet Filter Assembly (See Fig. 7)
11	10101938	3/8 -16 Hex Nut Galvanized <i>(Four Required)</i>	35	—	Desiccant Tablets - <i>Not Included (See Fig. 11)</i>
12	—	Transfer Hose Assembly (See Fig. 6)	36	10103922	Spherical Tower Packing (See Fig. 11)
13	10101185	1/2" x 1/4" 90° Reducing Elbow <i>(Two Required)</i>	37	10107495	1/2-13 x 1-5/8" Grade 8 Hex Bolt Zinc <i>(Four Required)</i>
14	10AH012	1/2" I.D. Air Hose <i>(Per Foot)</i>	38	10107496	1/2-13 Grade 8 Lock Nut Zinc <i>(Four Required)</i>
15	1011902	1-1/4" NPT Plug	39	10104711	1/2" Grade 8 Flat Washer Zinc <i>(Eight Required)</i>
16	—	Inspection Door Assembly (See Fig. 9)	40	10108281	Mounting Bracket
17	10101688	2" NPT Sight Glass	41	10105903	1/4-20 x 1-1/4" Hex Bolt <i>(Four Required)</i>
18	1011801	1" NPT Street Elbow	42	10101939	1/4-20 Stainless Steel Lock Nut with Nylon Insert <i>(Four Required)</i>
19	10101064	1" X 12" NPT Pipe Nipple	43	10101940	1/4" Flat Washer <i>(12 Required)</i>
20	1011601	1" NPT Full Port Ball Valve	44	10109052	U-Bolt <i>(Two Required)</i>
21	10101784	Aftercooler Exhaust Muffler – 250 CFM–750 CFM	45	1094536	750 CFM Product Sticker
22	1011818	1/2" x 1/4" Galvanized Bushing	—	1070517	Pneumatic Tool Oil — 32 oz.

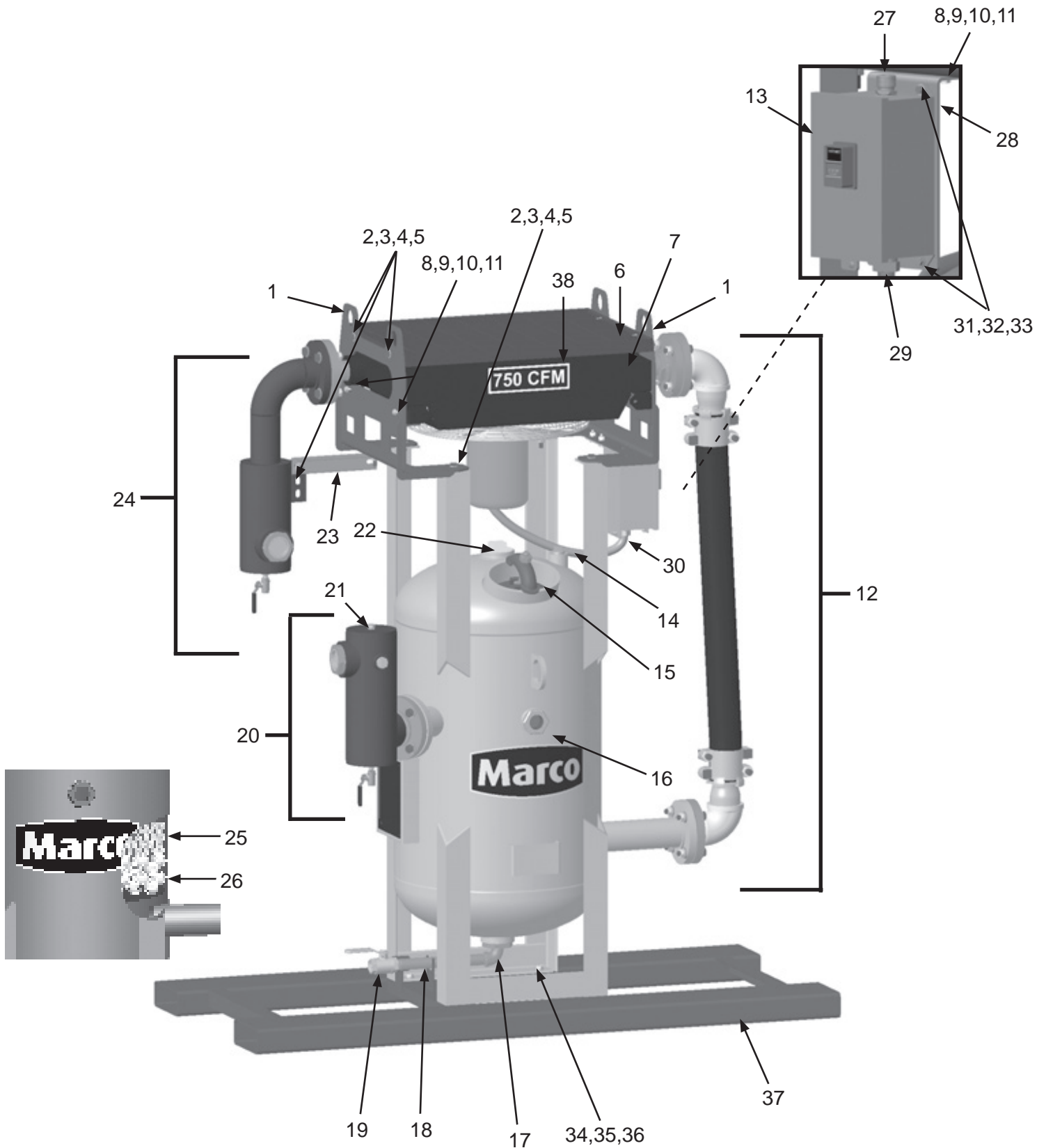
PART NUMBERS AND SCHEMATICS

Blastmaster® 750 CFM Air Dryer—115 Volt Electric

Item #	Part #	Description	Item #	Part #	Description
Fig. 2			25	—	Desiccant Tablets - <i>Not Included (See Fig. 11)</i>
—	10108809	Blastmaster® 750 CFM Air Dryer – 115 Volt Electric	26	10103922	Spherical Tower Packing <i>(See Fig. 11)</i>
1	10101176	400-1600 CFM Heat Exchanger Mounting Bracket <i>(Two Required)</i>	27	20101197	3/4" NPT Cord Grip
2	10101943	1/2-13 x 1-3/4" Hex Bolt Galvanized <i>(10 Required)</i>	28	10108830	Motor Starter Bracket
3	10100674	1/2" Flat Washer Galvanized <i>(20 Required)</i>	29	10103303	3/4" Conduit Hub <i>(Two Required)</i>
4	10100675	1/2" Split Lock Washer Galvanized <i>(10 Required)</i>	30	10103304	3/4" Flexible Conduit
5	10101941	1/2-13 Hex Nut Galvanized <i>(10 Required)</i>	31	1012154	1/4-20 x 1" Hex Bolt Zinc <i>(Four Required)</i>
6	10101179	Heat Exchanger Protective Grate	32	1014017	1/4" Flat Washer Zinc <i>(Eight Required)</i>
7	10TTAHP7252	750 CFM Aftercooler Assembly - Electric - Complete <i>(See Fig. 5)</i>	33	1012323	1/4"-20 Lock Nut Zinc <i>(Four Required)</i>
8	10101059	3/8-16 x 1-1/4" Bolt Galvanized <i>(Six Required)</i>	34	10107495	1/2-13 x 1-5/8" Grade 8 Hex Bolt Zinc <i>(Four Required)</i>
9	10101942	3/8" Flat Washer Galvanized <i>(Twelve Required)</i>	35	10107496	1/2-13 Grade 8 Lock Nut Zinc <i>(Four Required)</i>
10	10L805015	3/8" Lock Washer Galvanized <i>(Six Required)</i>	36	10104711	1/2" Grade 8 Flat Washer Zinc <i>(Eight Required)</i>
11	10101938	3/8-16 Hex Nut Galvanized <i>(Six Required)</i>	37	10101024	Skid Weldment
12	—	Transfer Hose Assembly <i>(See Fig. 6)</i>	38	1094536	750 CFM Product Sticker
13	10108792	1 Phase Electric Motor Starter - 3 HP to 5 HP	—	10108798	Thermal Unit - Full Load Current 16.2 - 17.6 Amps
14	1011902	1-1/4" NPT Plug	—	106M116	Part Numbers and Schematics Guide – Blastmaster® 750 CFM Air Dryer
15	—	Inspection Door Assembly <i>(See Fig. 9)</i>	—	1090116	Operator's Manual – Blastmaster® 750 CFM Air Dryer
16	10101688	2" NPT Sight Glass	—	1091017	Hazard Identification Tag
17	1011801	1" NPT Street Elbow			
18	10101064	1" x 12" NPT Pipe Nipple			
19	1011601	1" NPT Full Port Ball Valve			
20	—	Outlet Filter <i>(See Fig. 10)</i>			
21	20G100737	1/2" NPT Pipe Plug			
22	10101034	3" NPT Galvanized Pipe Plug			
23	10101170	Moisture Separator Brace			
24	—	Inlet Filter <i>(See Fig. 7)</i>			

PART NUMBERS AND SCHEMATICS

Figure 2: Blastmaster® 750 CFM Air Dryer—115 Volt Electric



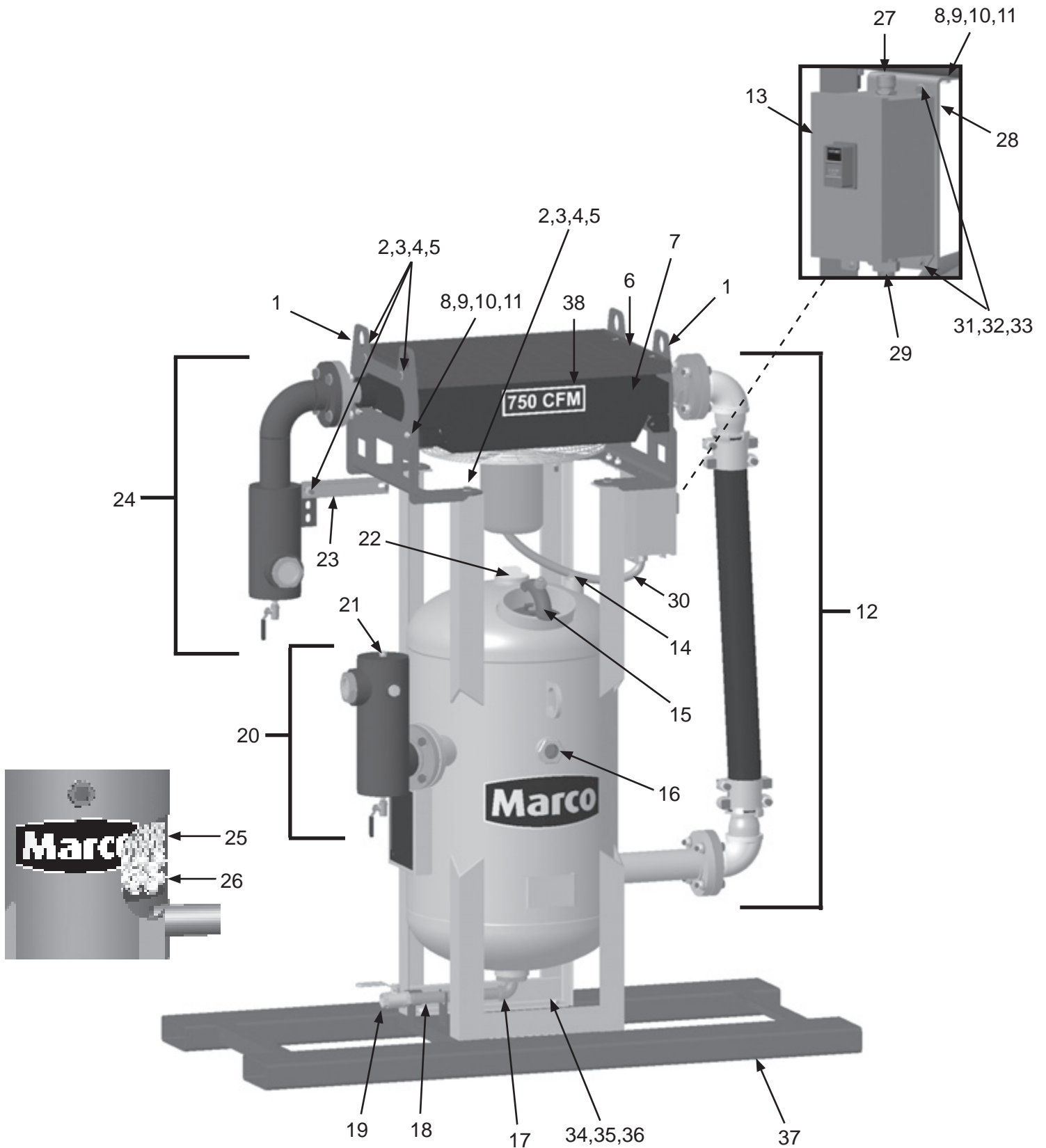
PART NUMBERS AND SCHEMATICS

Blastmaster® 750 CFM Air Dryer—230 Volt Electric

Item #	Part #	Description	Item #	Part #	Description
Fig. 3			25	—	Desiccant Tablets - <i>Not Included (See Fig. 11)</i>
—	10101676	Blastmaster® 750 CFM Air Dryer – 230 Volt Electric	26	10103922	Spherical Tower Packing (<i>See Fig. 11</i>)
1	10101176	400-1600 CFM Heat Exchanger Mounting Bracket (<i>Two Required</i>)	27	20101299	3/4" NPT Cord Grip
2	10101943	1/2-13 x 1-3/4" Hex Bolt Galvanized (<i>10 Required</i>)	28	10108830	Motor Starter Bracket
3	10100674	1/2" Flat Washer Galvanized (<i>20 Required</i>)	29	10103303	3/4" Conduit Hub (<i>Two Required</i>)
4	10100675	1/2" Split Lock Washer Galvanized (<i>10 Required</i>)	30	10103304	3/4" Flexible Conduit
5	10101941	1/2-13 Hex Nut Galvanized (<i>10 Required</i>)	31	1012154	1/4-20 x 1" Hex Bolt Zinc (<i>Four Required</i>)
6	10101179	Heat Exchanger Protective Grate	32	1014017	1/4" Flat Washer Zinc (<i>Eight Required</i>)
7	10TTAHP7252	750 CFM Aftercooler Assembly - Electric - Complete (<i>See Fig. 5</i>)	33	1012323	1/4"-20 Lock Nut Zinc (<i>Four Required</i>)
8	10101059	3/8-16 x 1-1/4" Bolt Galvanized (<i>Six Required</i>)	34	10107495	1/2-13 x 1-5/8" Grade 8 Hex Bolt Zinc (<i>Four Required</i>)
9	10101942	3/8" Flat Washer Galvanized (<i>Twelve Required</i>)	35	10107496	1/2-13 Grade 8 Lock Nut Zinc (<i>Four Required</i>)
10	10L805015	3/8" Lock Washer Galvanized (<i>Six Required</i>)	36	10104711	1/2" Grade 8 Flat Washer Zinc (<i>Eight Required</i>)
11	10101938	3/8-16 Hex Nut Galvanized (<i>Six Required</i>)	37	10101024	Skid Weldment
12	—	Transfer Hose Assembly (<i>See Fig. 6</i>)	38	1094536	750 CFM Product Sticker
13	10101760	Electric Motor Starter Box – Single Phase	—	10108796	Thermal Unit - Full Load Current 8.48 - 9.83 Amps
14	1011902	1-1/4" NPT Plug	—	106M116	Part Numbers and Schematics Guide – Blastmaster® 750 CFM Air Dryer
15	—	Inspection Door Assembly (<i>See Fig. 9</i>)	—	1090116	Operator's Manual – Blastmaster® 750 CFM Air Dryer
16	10101688	2" NPT Sight Glass	—	1091017	Hazard Identification Tag
17	1011801	1" NPT Street Elbow			
18	10101064	1" x 12" NPT Pipe Nipple			
19	1011601	1" NPT Full Port Ball Valve			
20	—	Outlet Filter (<i>See Fig. 10</i>)			
21	20G100737	1/2" NPT Pipe Plug			
22	10101034	3" NPT Galvanized Pipe Plug			
23	10101170	Moisture Separator Brace			
24	—	Inlet Filter (<i>See Fig. 7</i>)			

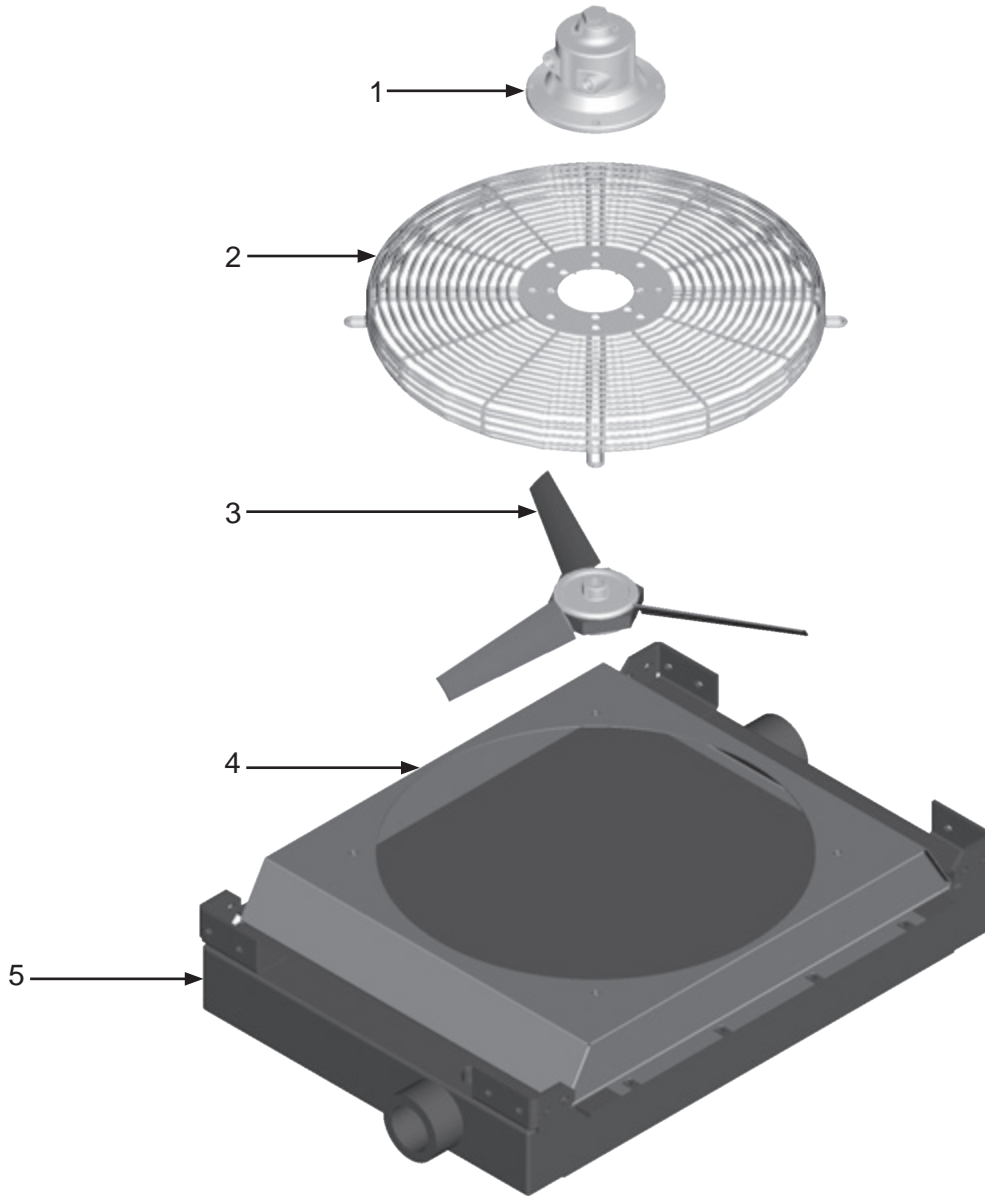
PART NUMBERS AND SCHEMATICS

Figure 3: Blastmaster® 750 CFM Air Dryer—230 Volt Electric



PART NUMBERS AND SCHEMATICS

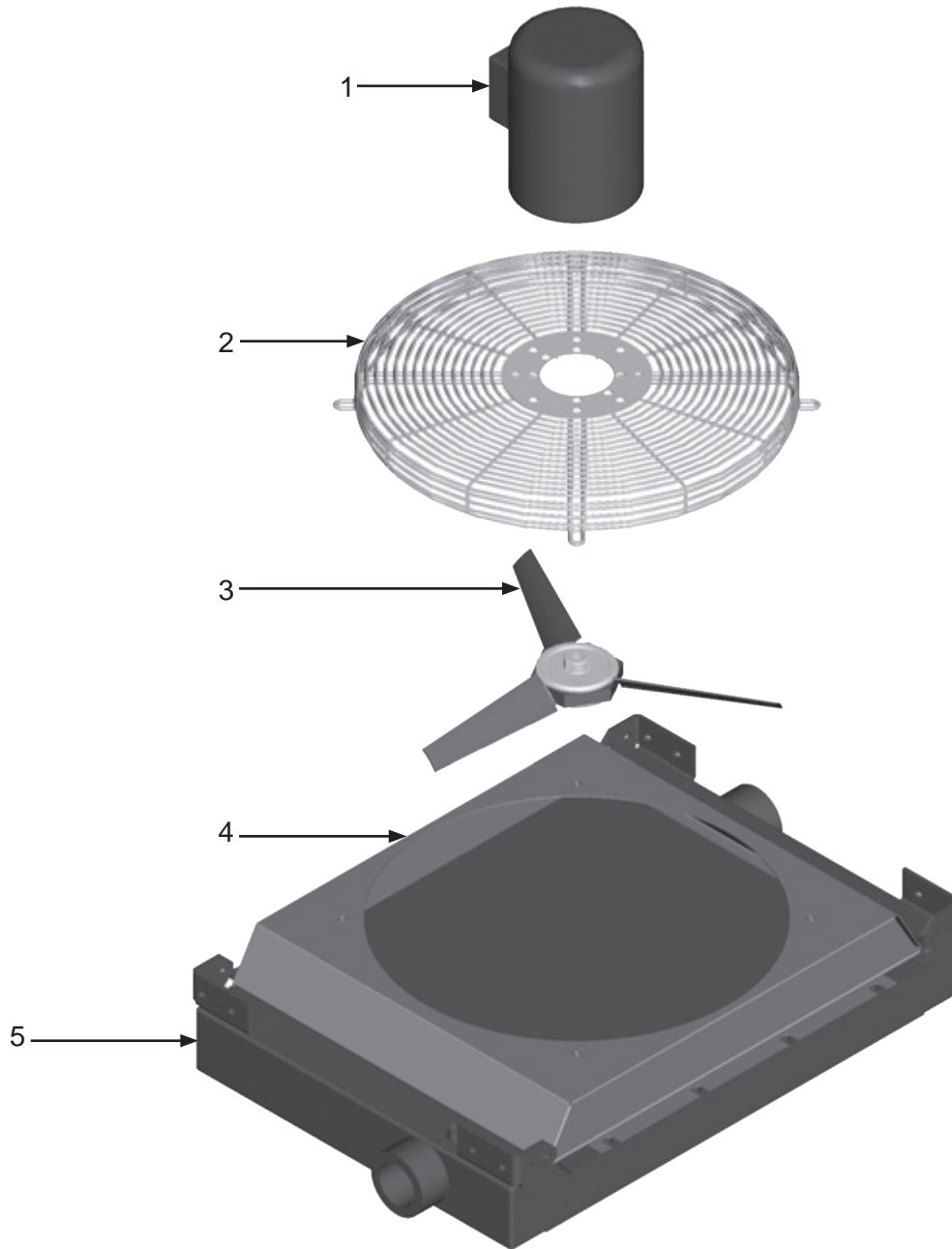
Figure 4: Aftercooler Assembly—Pneumatic



Item #	Part #	Description
Fig. 4		
—	10TTAHP7255	750 CFM Aftercooler—Pneumatic—Complete
1	10101780	Air Motor
2	10101792	Fan Guard
3	10101791	Fan Blade Assembly (Includes Blades and Hub)
4	10104171	Aftercooler Shroud
5	10101790	Aftercooler Core
—	10101781	Air Motor Service Kit (Includes: shaft seal, drive end bearing, dead end bearing, four vanes, four push pins, four vane springs, shim, end cap gasket, muffler cartridge, and muffler felt)

PART NUMBERS AND SCHEMATICS

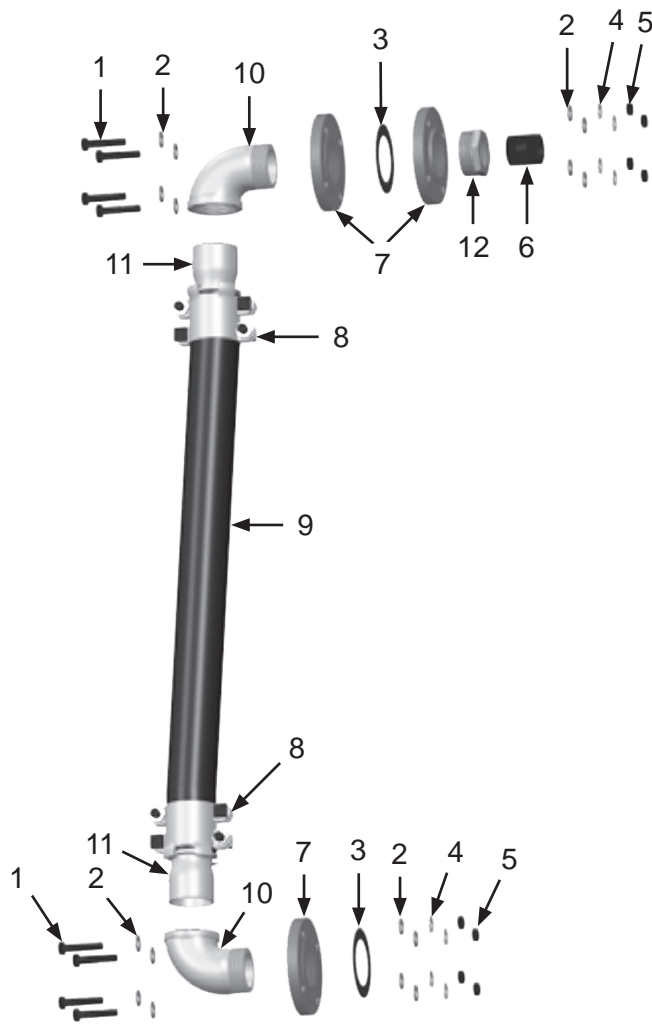
Figure 5: Aftercooler Assembly—Electric



Item #	Part #	Description
—	10TTAHP7252	750 CFM Aftercooler—Electric—Complete
1	10101793	Electric Motor – (115 Volt to 208-230 Volt) – Single Phase
2	10101792	Fan Guard
3	10101791	Fan Blade Assembly (Includes Blades and Hub)
4	10104171	Aftercooler Shroud
5	10101790	Aftercooler Core

PART NUMBERS AND SCHEMATICS

Figure 6: Transfer Hose Assembly



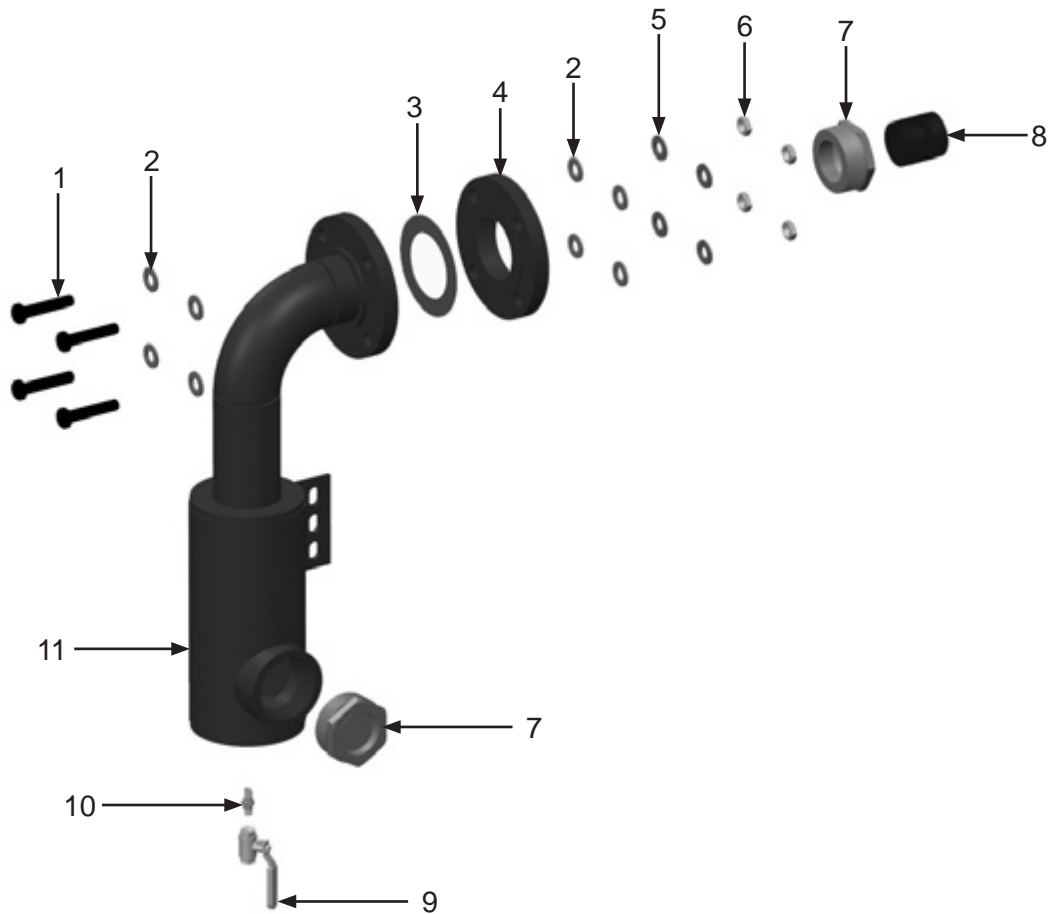
Item #	Part #	Description
--------	--------	-------------

Fig. 6

1	10101058	5/8-11 x 3" Grade 8 Bolt (Eight Required)
2	10101060	5/8" Flat Washer (16 Required)
3	10101047	Flange Gasket (Two Required)
4	10103399	5/8" Grade 8 Split Lock Washer (Four Required)
5	10103393	5/8-11 Grade 8 Hex Nut (Four Required)
6	1001806	2" NPT Close Nipple
7	10101041	3" NPT Threaded Flange (Three Required)
8	10BU35	3" Boss Clamp (Two Required)
9	10101045	3" x 2-1/2' Steel Reinforced Air Hose (Per Foot)
10	10101148	3" NPT Street Elbow (Two Required)
11	10101754	3" NPT Hose Stem (Two Required)
12	10101183	3" (M) x 2" (F) Bushing

PART NUMBERS AND SCHEMATICS

Figure 7: Inlet Filter Assembly



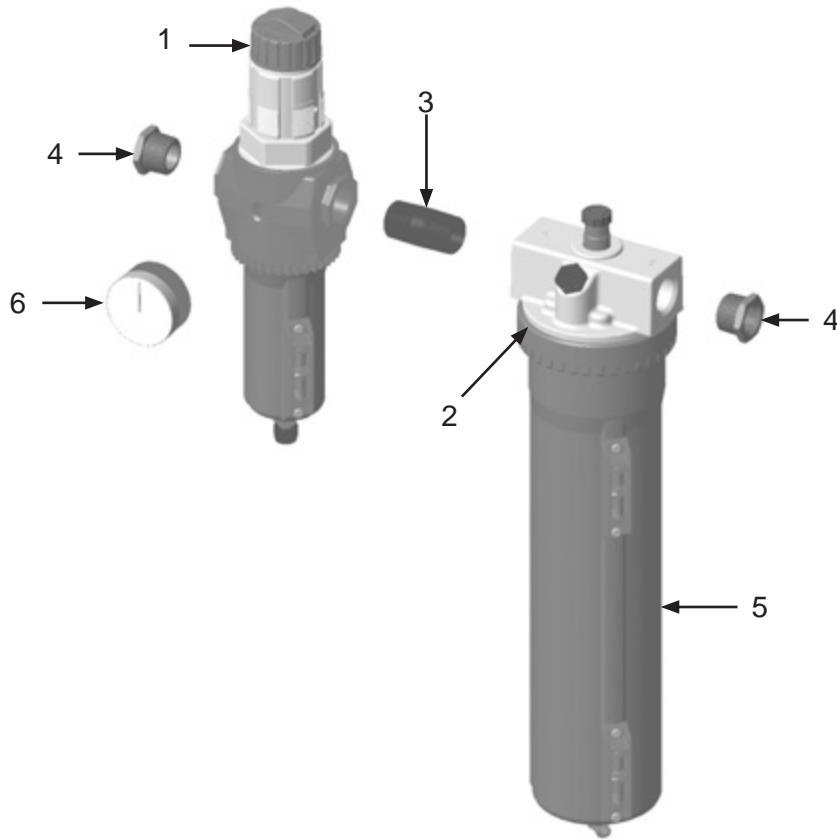
Item #	Part #	Description
--------	--------	-------------

Fig. 7

1	10101058	5/8-11 X 3" Grade 8 Bolt (Four Required)
2	10101060	5/8" Flat Washer (Eight Required)
3	10101047	Flange Gasket
4	10101041	3" NPT Threaded Flange
5	10103399	5/8" Grade 8 Split Lock Washer (Four Required)
6	10103393	5/8-11 Grade 8 Hex Nut (Four Required)
7	10101183	3" to 2" Bushing (Two Required)
8	1001806	2" NPT Close Nipple
9	1080050	1/4" NPT Full Port Ball Valve
10	1017019	1/4" NPT Hex Nipple
11	10101049	Inlet Moisture Separator

PART NUMBERS AND SCHEMATICS

Figure 8: Air Filter/Regulator/Lubricator



Item #	Part #	Description
--------	--------	-------------

Fig. 8		
	10105890	Air Filter/Regulator/Lubricator with Pressure Gauge—Pneumatic—Complete

1	10105891	Filter/Regulator
---	----------	------------------

2	10106432	Large O-ring - Lubricator
---	----------	---------------------------

3	10105894	3/4" x 2" Pipe Nipple
---	----------	-----------------------

4	10105895	Coupler with 3/4" x 1/2" Reducing Bushing (<i>Two Required</i>)
---	----------	---

5	10106507	Lubricator Bowl
---	----------	-----------------

6	1028606	Pressure Gauge – 0-160 PSI 1/4" – Back Mount
---	---------	--

—	1070517	Pneumatic Tool Oil - 32 oz.
---	---------	-----------------------------

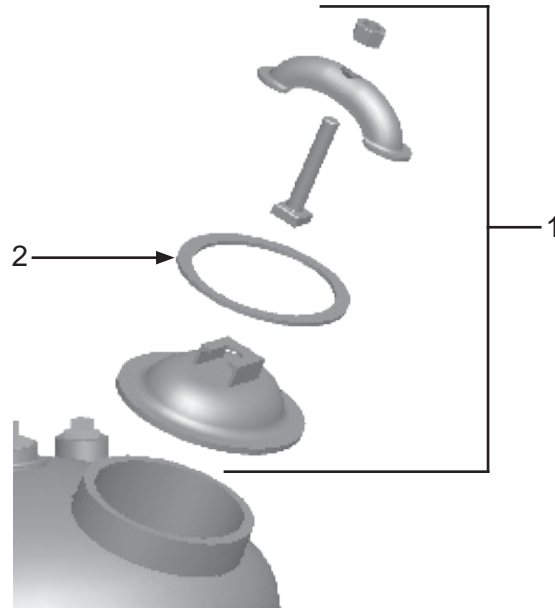
—	10106504	Diaphragm Kit for Filter/Regulator
---	----------	------------------------------------

—	10106505	Bowl, O-Ring and Site Gauge Kit for Filter/Regulator
---	----------	--

—	10106506	Cartridge Kit for Lubricator
---	----------	------------------------------

PART NUMBERS AND SCHEMATICS

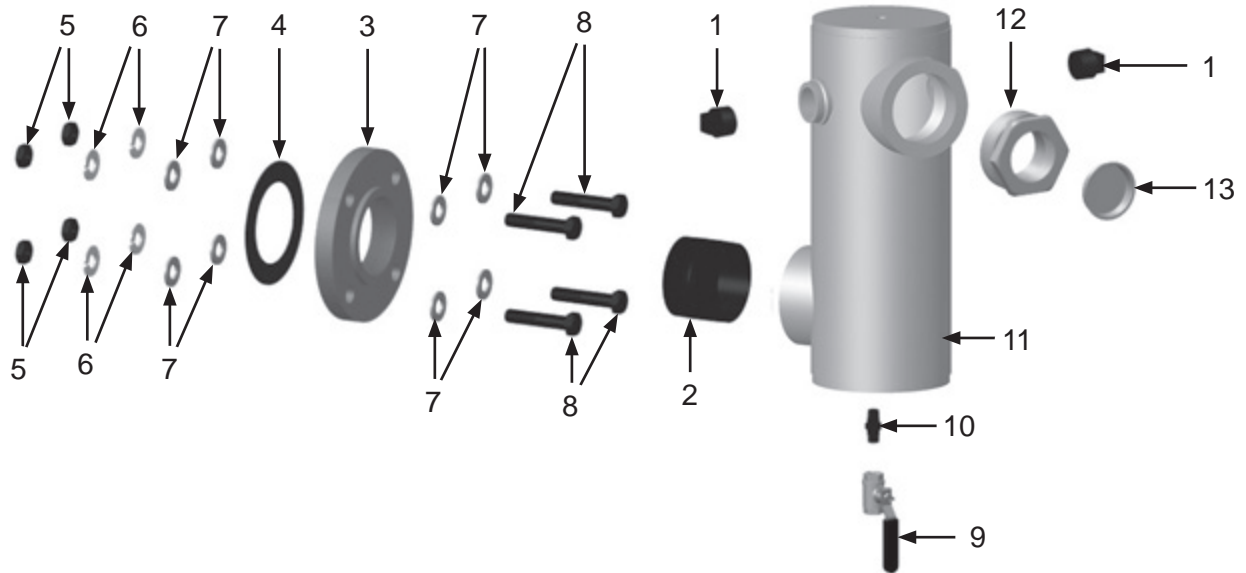
Figure 9: Inspection Door Assembly



Item #	Part #	Description
Fig. 9		
1	10106105	Air Dryer Inspection Door Assembly – Complete <i>Includes Item #2</i>
2	1006201	Inspection Door Gasket

PART NUMBERS AND SCHEMATICS

Figure 10: Outlet Filter



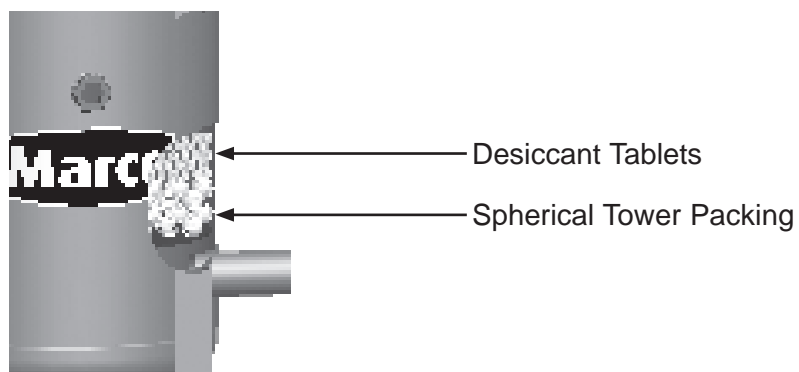
Item #	Part #	Description
--------	--------	-------------

Fig. 10

1	1011901	1" Galvanized Square Head Pipe Plug (<i>Two Required</i>)
2	10101040	3" Galvanized Close Nipple
3	10101041	Flange
4	10101047	Flange Gasket
5	10103393	5/8-11 Grade 8 Hex Nut (<i>Four Required</i>)
6	10103399	5/8" Lock Washer (<i>Four Required</i>)
7	10101060	5/8" x 1-5/16" Stainless Steel Flat Washer (<i>Eight Required</i>)
8	10101058	5/8-11 x 3" Grade 8 Hex Bolt (<i>Four Required</i>)
9	1080050	1/4" Ball Valve
10	1017019	1/4" x 1/4" Hex Nipple
11	10101686	Outlet Filter Body
12	10101183	3" (M) x 2" (F) Bushing
13	10101237	Transport Plug

OPTIONAL ACCESSORIES





Figure 11: Desiccant Tablets and Spherical Tower Packing








DESICCANT TABLETS		
Part Numbers	Package Weight	Packaging
10V330311	50 pounds	Bag
15V330313	50 pounds	Pail
15V330203	506 pounds	Steel Drum
15V330284	2000 pounds	Bulk Bag


SPHERICAL TOWER PACKING	
Part Numbers	Unit of Measure
10103922	1 Cubic Foot






OPTIONAL ACCESSORIES

AIRFLOW SHUTOFF KITS – LUG FITTINGS					
	Part Numbers	Pipe String I.D.	Close Nipple	Full Port Ball Valve	Coupling
	10103731	1"	1012151	1011601	10ME2
	10103732	1-1/4"	1011201 <i>(Quantity of Two)</i>	1011602	10ME3
	10103733	1-1/2"	1014015 <i>(Quantity of Two)</i>	1011603	10ME4
	10103734	2"	1001806 <i>(Quantity of Two)</i>	1011604	10ME5

AIRFLOW SHUTOFF KITS – HAMMERLOCK FITTINGS					
	Part Numbers	Pipe String I.D.	Close Nipple	Full Port Ball Valve	Coupling Spud
	10103830	1"	10102151 <i>(Quantity of Two)</i>	1011601	10DXGB13
	10103831	1-1/4"	1011201 <i>(Quantity of Two)</i>	1011602	10DXGB18
	10103832	1-1/2"	1014015 <i>(Quantity of Two)</i>	1011603	10DXGB23
	10103833	2"	1001806 <i>(Quantity of Two)</i>	1011604	10DXGB28
	10103934	3"	10101040 <i>(Quantity of Two)</i>	1011608	10GB38

OPTIONAL ACCESSORIES

	Part Numbers	INLET/OUTLET BUSHING
		Size
	10101183	Galvanized 3" MNPT x 2" FNPT Bushing

	Part Numbers	GALVANIZED SQUARE HEAD PIPE PLUGS
		Size
	1011901	1"
	1011902	1-1/4"
	1011101	1-1/2"
	1011823	2"
	10101034	3"

Part Numbers	LUBRICATION
1070517	Pneumatic Air Tool Oil - 32 oz. bottle

CONTACT CENTER

- 3425 East Locust Street
Davenport, IA 52803

ph: 800.BLAST.IT (800.252.7848)

ph: 563.324.2519

fax: 563.324.6258

REGIONAL BRANCH OFFICES

- **Iowa**
Davenport
- **Louisiana**
Gonzales
Lafayette
- **Ohio**
Youngstown
- **Texas**
Beaumont
Corpus Christi
Deer Park



ABRASIVES

BLASTING

COATING

DUST COLLECTORS

ENGINEERED SYSTEMS

RENTAL

SAFETY

SERVICE & REPAIR

VACUUMS

40+ NATIONWIDE SHIPPING LOCATIONS



★ Marco Regional Branch Offices
and Shipping Locations

● Direct Shipping Locations

CONTACT MARCO

800.BLAST.IT

(800.252.7848)

563.324.2519

FAX: 563.324.6258

WWW.MARCO.US

SALES@MARCO.US