

STANDS & MOUNTS



Various stands & mounting options specially built and available for use with the BRICK®: Model 9610 - Portable Explosion Proof LED Tank / Area Light.

Model 9610 | Portable Explosion Proof LED Tank/Area Light - Stands & Mounts Datasheet

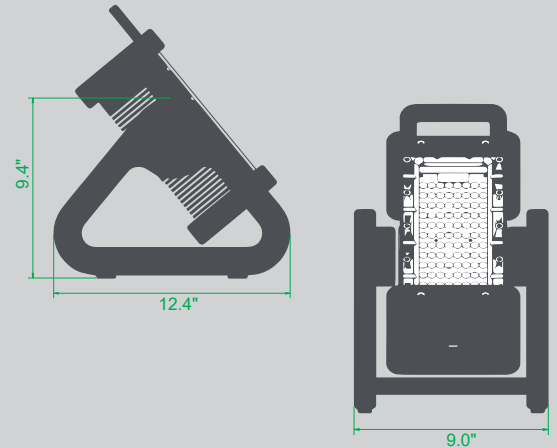
April 2020



A-FRAME MOUNT (#9610AFRAME)

Our A-Frame Mount is designed and built to provide a smaller, lower profile & wider base for extra stability. Easily adjust & reposition the beam angle giving the user better productivity.

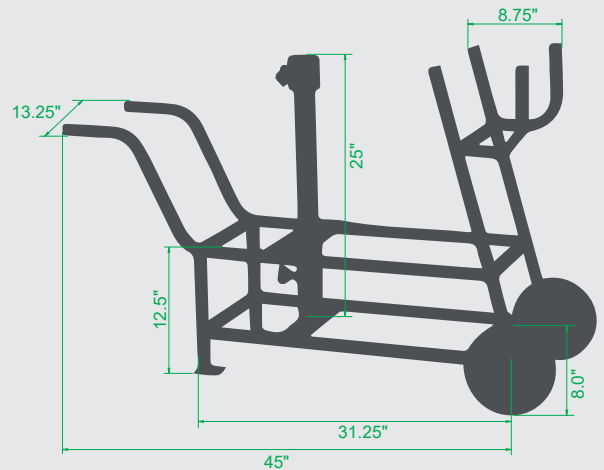
- ▶ Machined out of solid blocks of aluminum providing superior durability.
- ▶ Comes with black polyurethane bumpers for area protection & stability.
- ▶ Built to use with either mechanical or magnetic mounting plates



HAND CART MOUNT (#6300CART)

This free-standing mount comes with wheels, handles and a place to hold those heavy cords. You can wheel those BRICKs right into position.

- ▶ Built with non-sparking aluminum and stainless steel components throughout
- ▶ Add the "Yoke" Mount to provide 2 mounting locations for more than one BRICK™.
- ▶ We recommend our multi-position knuckles for multi-directional lighting.

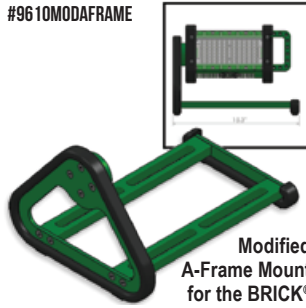


#9610PUCKHANDLE



Magnetic Puck Mount for the BRICK®

#9610MODAFRAME



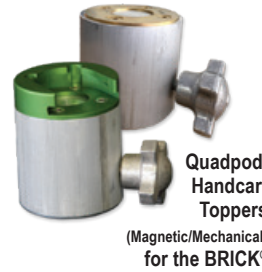
Modified A-Frame Mount for the BRICK®

BRICK Skid™



Zero-Emissions Portable Explosion Proof Light Tower

#9610ADAPTER



Quadpod/Handcart Toppers (Magnetic/Mechanical) for the BRICK®

BRICK CART™



Portable Light Cart (2 BRICKs) for flightline application

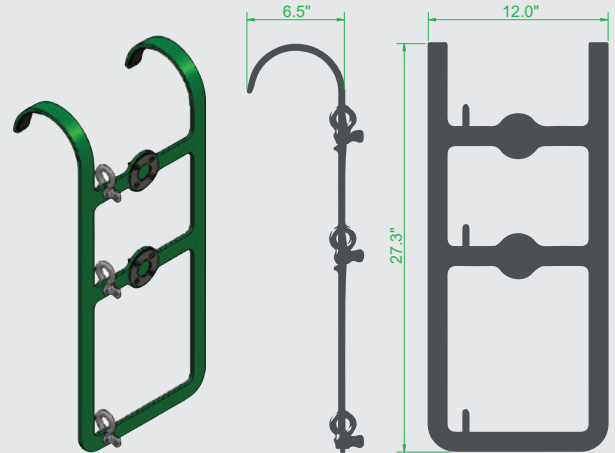


Ladder Mount

HAND RAIL/LADDER MOUNT (#9610LADDER)

Use the Ladder Mount to easily hang your BRICK to any ladder or hand rail.

- ▶ Built with non-sparking aluminum and stainless steel components throughout
- ▶ Rubber strip backing for better grip.
- ▶ 2 mounting locations
- ▶ 3 shackles for safety strap, providing added protection.

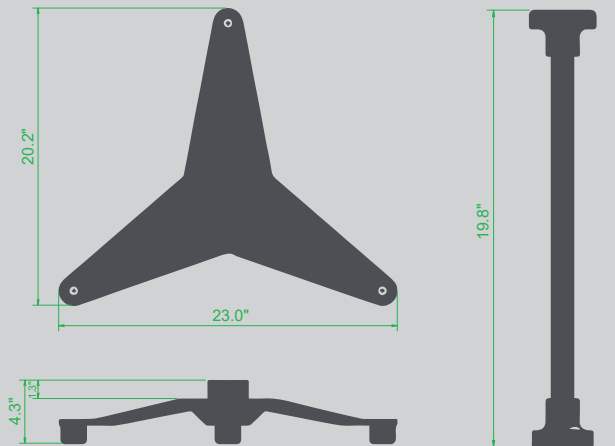


Tripod Stand [Base & Riser] (Shown w/ Magnetic Knuckle)

TRIPOD STAND (BASE & RISER) (#9610TRIPOD)

Tripod stand includes the base & riser. Use separate or magnetically connect them together.

- ▶ Built with non-sparking aluminum and stainless steel components throughout
- ▶ Magnetic connectors allow for easy mounting.
- ▶ Polyurethane bumpers and foot pads for extra protection and stability.



QuadPod Stand (Shown w/ Magnetic Knuckle) Folds to 64" - Extends to 95"

QUADPOD STAND (#6300QUADPOD)

At Western Technology we understand the demanding and even brutal environments where you work. Our Quad Pod stand is designed and built to take the abuse so you can focus on your work.

- ▶ Built with non-sparking aluminum and stainless steel components throughout
- ▶ Lightweight and compact; stand folds to 64" inches and extends to 96"

