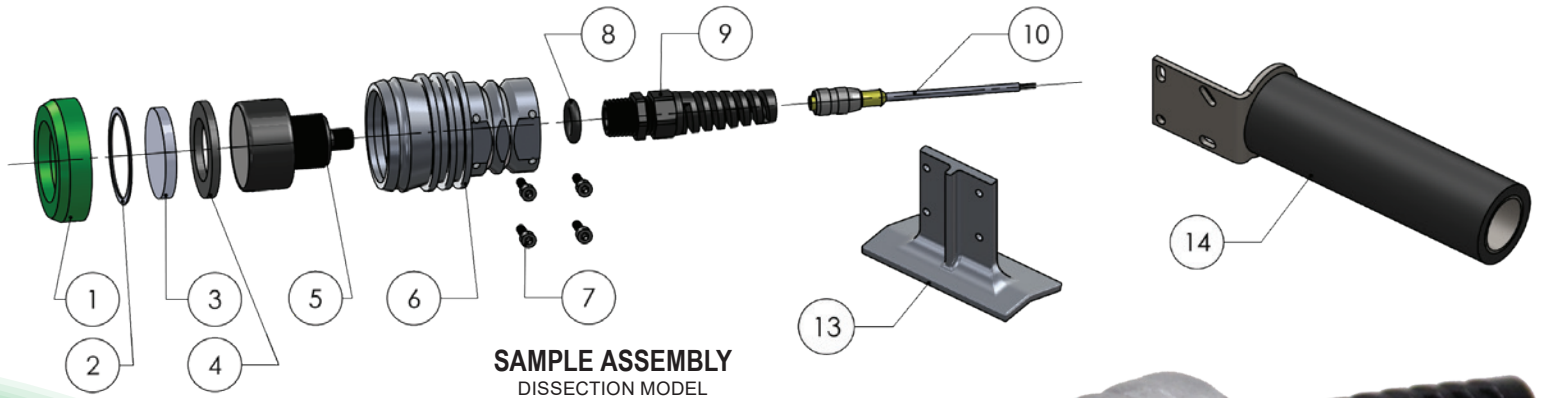


MODEL 3500 LED

Field-Repairable LED Blast Light



April 2018



SAMPLE ASSEMBLY
DISSECTION MODEL



Product Features

Light Output	Light Output: 295 Lumens
	Brightness @ 48": 3110 Lux @ 8.5" Diameter
Light Source	Emitter Type: LED
	Color Temperature: +5500K
Power	Power Consumption: ~4 Watts
	Voltage Range: 12-30 VDC
Housing	Light Body: Cast Aluminum
	Length: 4 3/8"
	Width: 2 5/8"
	Diameter: 2 5/8"
Accessories & Parts (see Sample Assembly pic)	Weight: 20 oz.
	1: Front Bumper (Replaceable)
	3: Heat Treated Lens- [6 Pack of Replacement Lenses (3)]
	2, 4, 5: LED Module Kit (Replaceable) - [LED Engine Module(5), Primary Gasket(4), w/Snap Ring (2)]
	5: LED Engine Module- (Replaceable Module Only)
	6: Housing
	7: Mounting Screws
	8, 9, 10: Power Kit (Replaceable) - [Power Cord Seal (8), Strain Relief Connector (9), 10' Power Cord (10)]
	10: Cord Only (Replaceable)
	13: Hose Mount
14: 2-Way Soft Grip Mount	
Battery Pack & Accessories: See (3510 LED)	



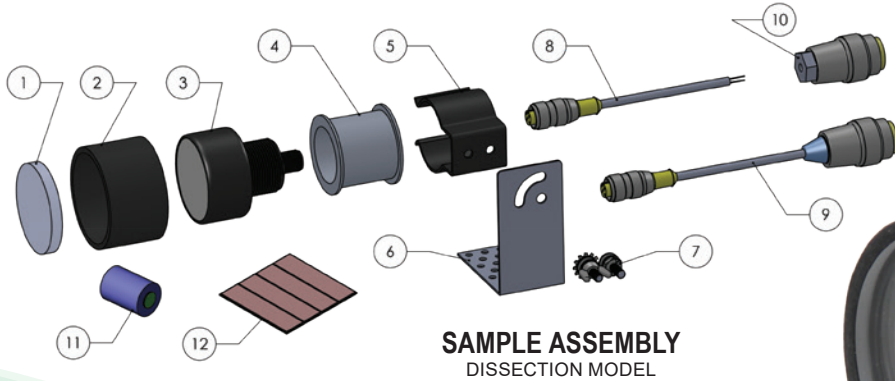
Western Technology, Inc. | Toll Free: (800) 654-5483
3517 Arsenal Way | Local: (360) 917-0080
Bremerton, WA 98312 | Fax: (360) 917-0083
www.WesternTechnologyLights.com

MODEL 3510 LED

Field Repairable LED Helmet Light



April 2018



SAMPLE ASSEMBLY
DISSECTION MODEL



SAMPLE BATTERY PACK
DISSECTION MODEL

Product Features	
Light Output	<ul style="list-style-type: none"> ▶ Light Output: 295 Lumens ▶ Brightness @ 48": 3110 Lux @ 8.5" Diameter
Light Source	<ul style="list-style-type: none"> ▶ Emitter Type: LED ▶ Color Temperature: +5500K
Power	<ul style="list-style-type: none"> ▶ Power Consumption: ~4 Watts ▶ Voltage Range: 12-30 VDC
Housing	<ul style="list-style-type: none"> ▶ Light Body: Cast Aluminum ▶ Length: 2 3/4" ▶ Width: 2 1/4" ▶ Diameter: 2 5/8" ▶ Weight: 20 oz.
Assembly & Parts (see Sample Assembly pic)	<ul style="list-style-type: none"> ▶ 1: Heat Treated Lens - [6 Pack of Replacement Lenses] ▶ 2: Helmet Light Lens Retention Sleeve ▶ 3: LED Engine Module - [Replaceable Module Only] ▶ 4: Helmet Light SB Clamp Adapter ▶ 5, 6, 7: Mounting Kit (Replaceable) - [Helmet Mounting Brackett (6), Hardware (7), Spring Clamp (5)] ▶ 9: 10' Power Cord w/ Connector (Replaceable) ▶ 10: Field Wireable Plug (Replaceable) ▶ 11: Brackett Adhesive ▶ 12: Double-sided Mounting Strips
Battery Pack Assembly (see Sample Battery Pack pic)	<ul style="list-style-type: none"> ▶ 1: 20V Li-ion Rechargeable Battery ▶ 2: Battery Charger ▶ 3: Battery Adaptor Belt ▶ 4: Battery Adaptor w/ Belt Loop ▶ 5: Utility Pouch w/ Belt ▶ 6: Compact Battery Adaptor ▶ 7: Replacement Field Wireable Plug



Western Technology, Inc. | Toll Free: (800) 654-5483
 3517 Arsenal Way | Local: (360) 917-0080
 Bremerton, WA 98312 | Fax: (360) 917-0083
www.WesternTechnologyLights.com